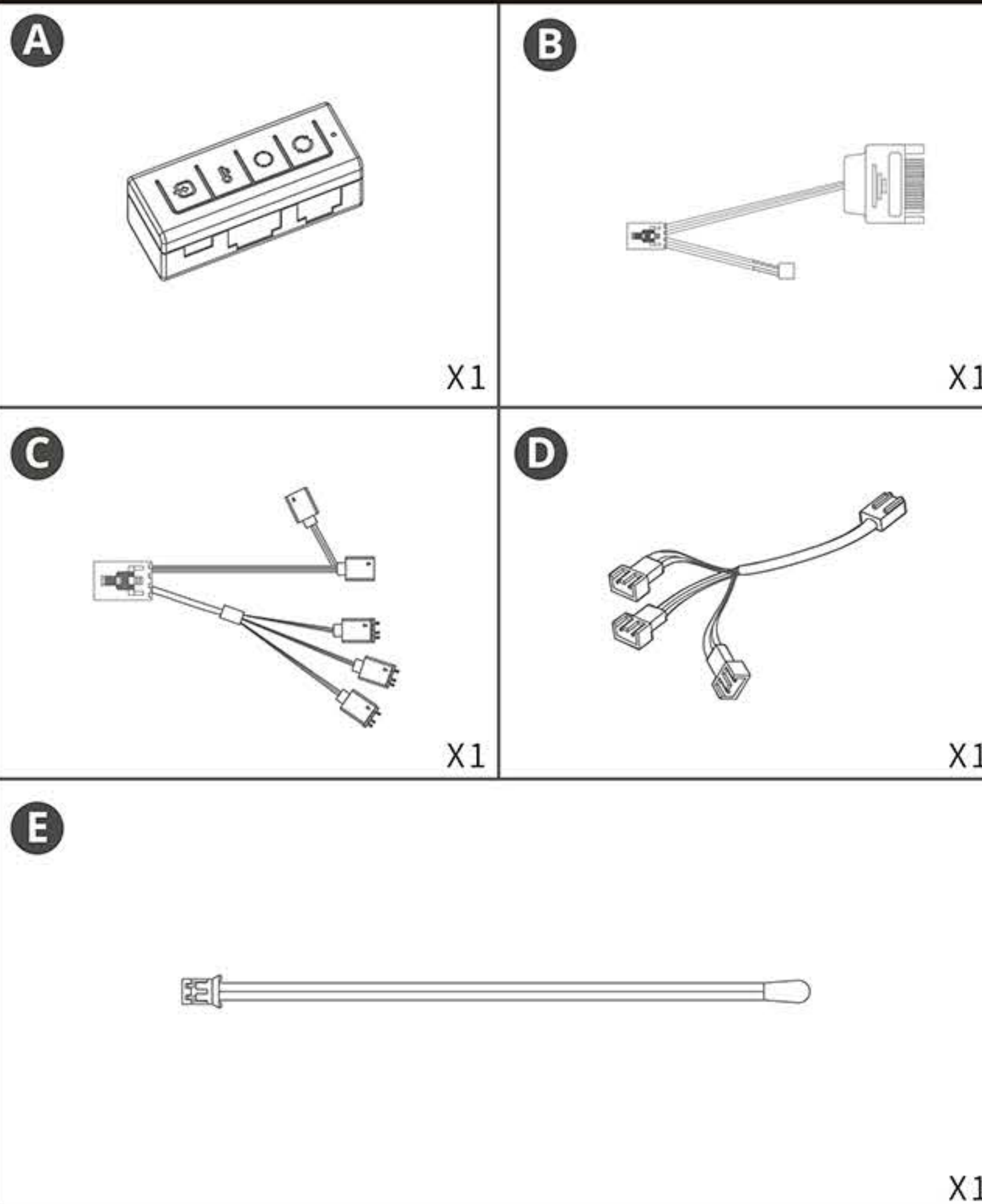




# A • RGB LED SMALL CONTROLLER

USER MANUAL

1



## ADDITIONAL INFORMATION

Please visit our website at [www.coolermaster.com](http://www.coolermaster.com)

Asia Pacific - Cooler Master Technology Inc.  
8F., No. 788-1, Zhongzheng Rd., Zhonghe Dist.,  
New Taipei City 23586, Taiwan (R.O.C.).  
Tel: +886-2-2225-3517

China - Cooler Master China  
Room 2062, Floor 6, No. 421, Weiqing Rd.,  
Jinshan District, Shanghai City, China  
Tel: +86-21-51872177

Europe - Cooler Master Europe B.V.  
Lodewijkstraat 1b, 5652AC Eindhoven, The Netherlands  
Tel: +31-(0)40-702-0900

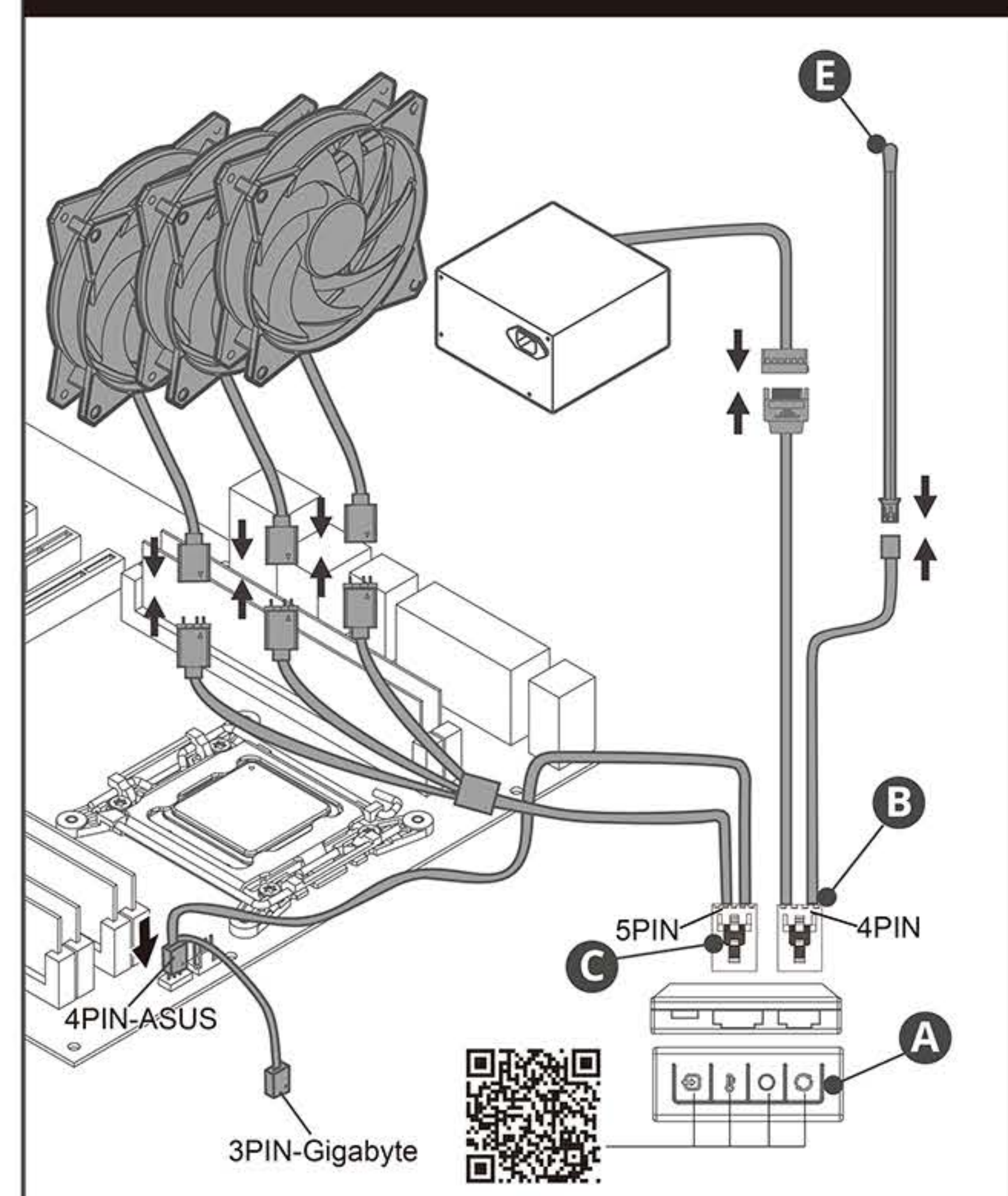
North America - Cooler Master NA  
4820 Schaefer Ave. Chino CA. 91710, USA  
Tel: +1-888-624-5099

For the most updated information, please visit our official website:  
[www.coolermaster.com/](http://www.coolermaster.com/)  
Cooler Master Support: <https://account.coolermaster.com/>

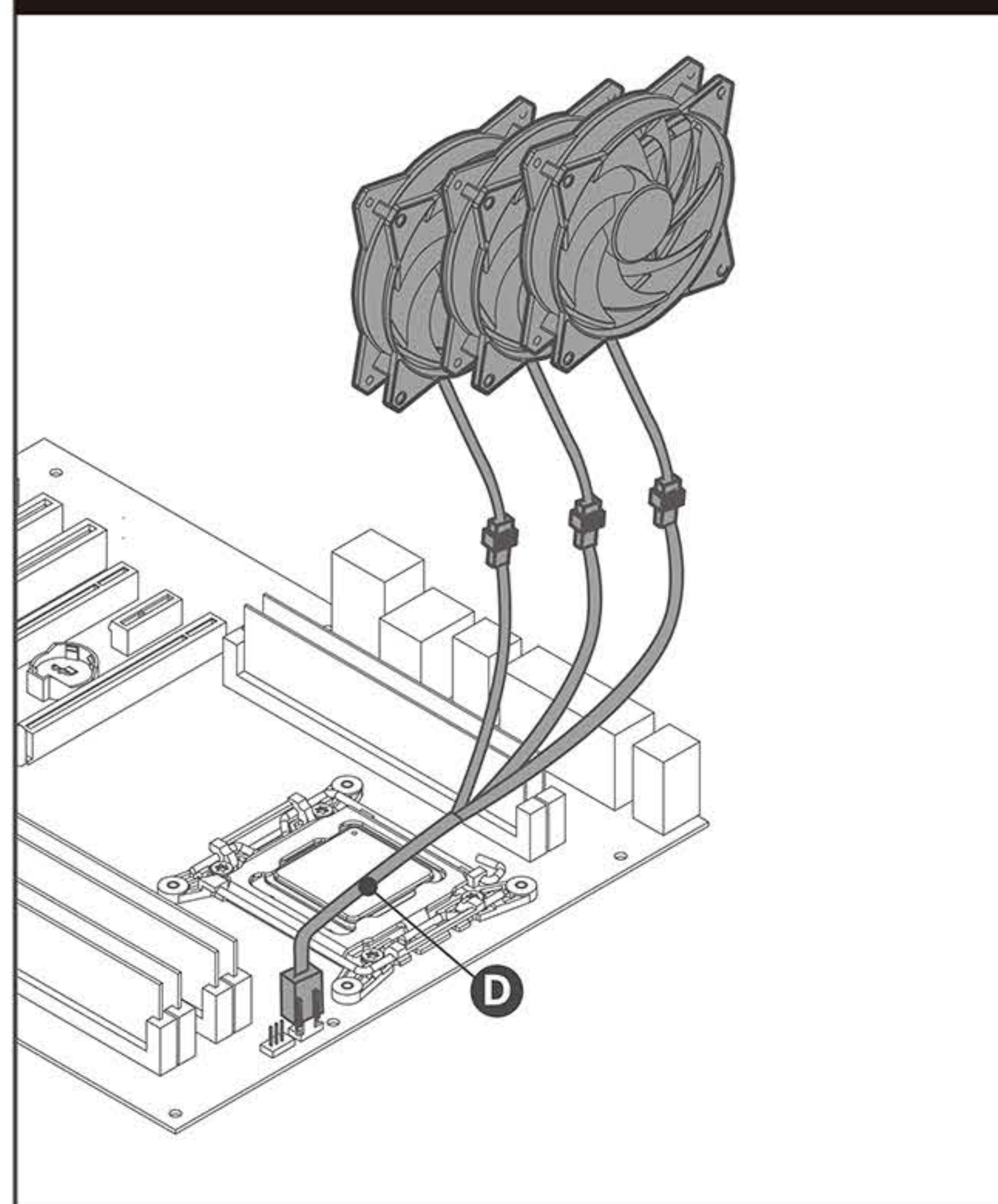


512001720-GP Ver 1.0: 2018/05  
©2018 Cooler Master Technology Inc. All Rights Reserved. All trademarks are registered to their respective owners.

2



3



4

## Install Software

**STEP 1 :** Download software at Cooler Master's official website:  
[www.coolermaster.com](http://www.coolermaster.com)

**STEP 2 :** Unzip and double click file.

**STEP 3 :** Start installation process.

**STEP 4 :** Your addressable RGB LED Controller software is ready to use.