



6MM



M4

① -5x



② -4 X



5

③ -4 X



④ -4X



⑤ -3x



6

⑥ -12x



4

⑦ -5 x



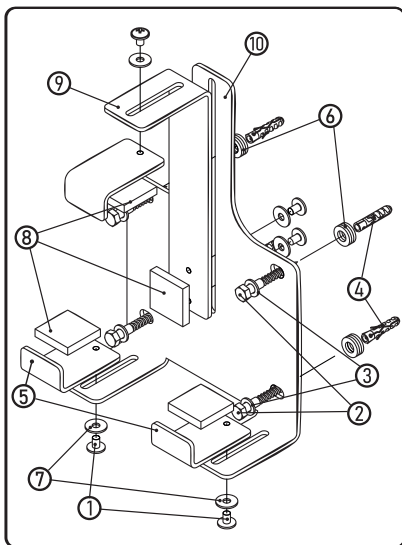
⑧ -4x



⑨ -1x



⑩ -1x



Apt.INSTR-EMB-CU

