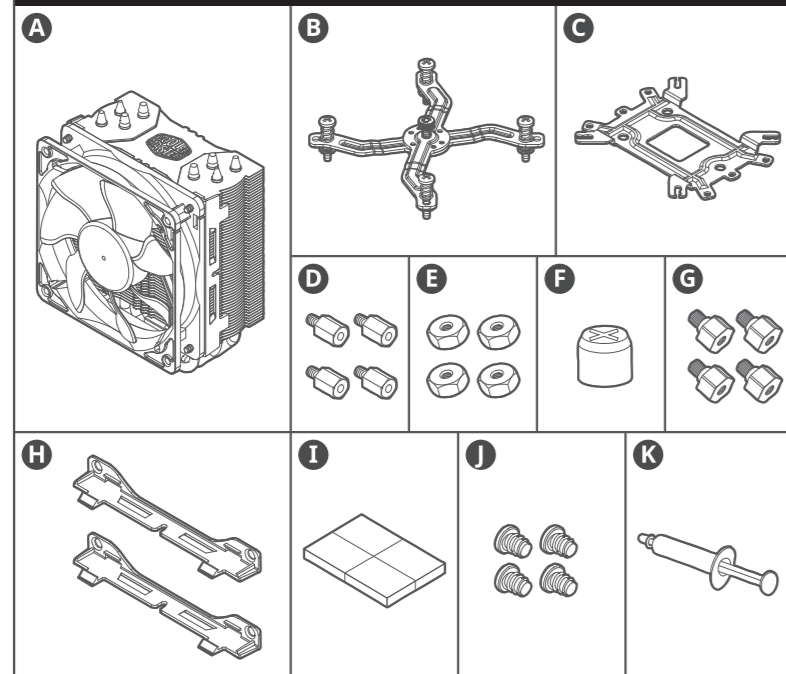




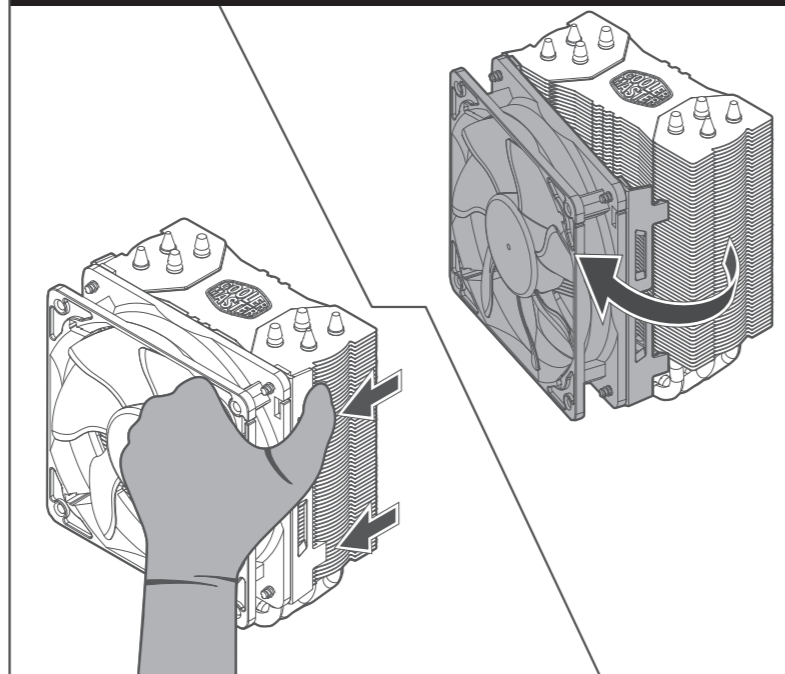
HYPER 212 EVO HYPER 212X series

USER MANUAL

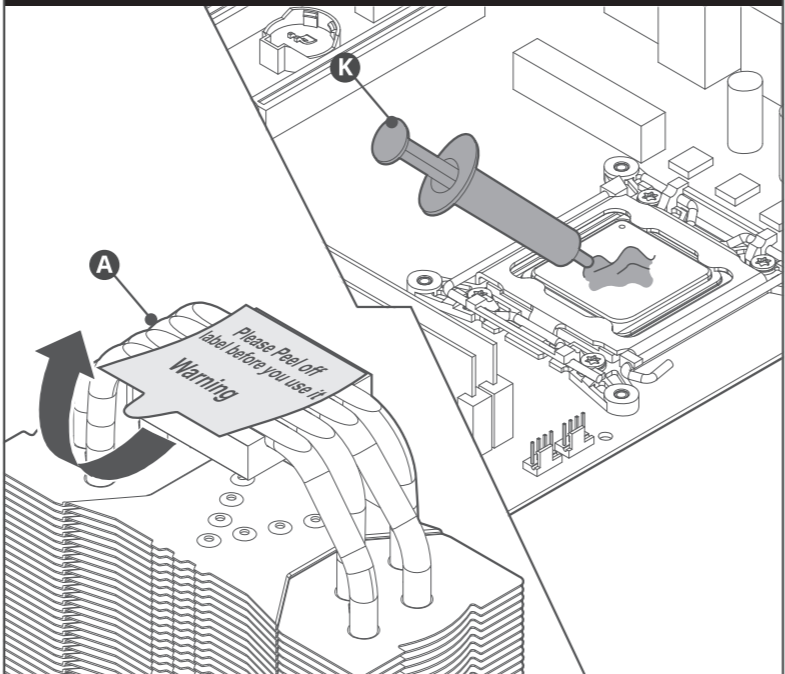
01. PACKAGE CONTENT



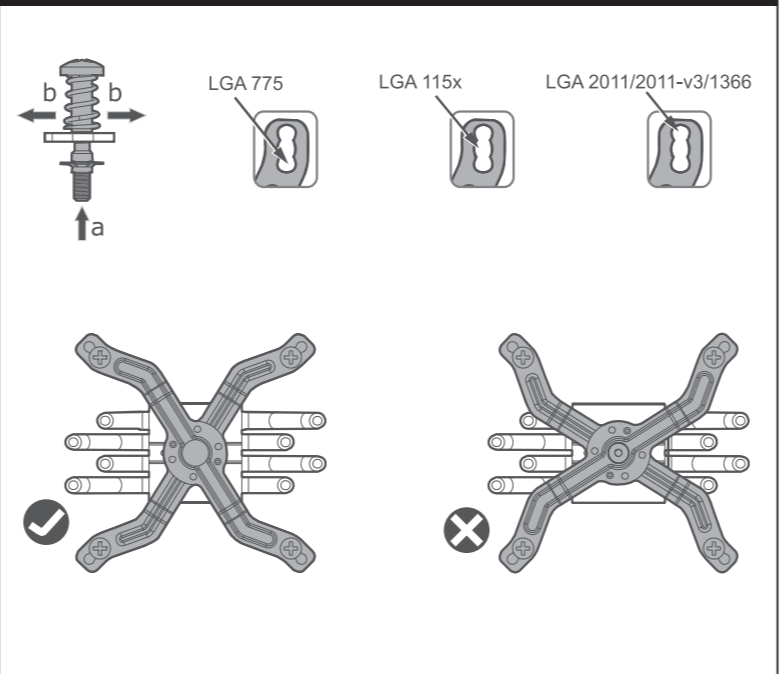
02. Intel & AMD



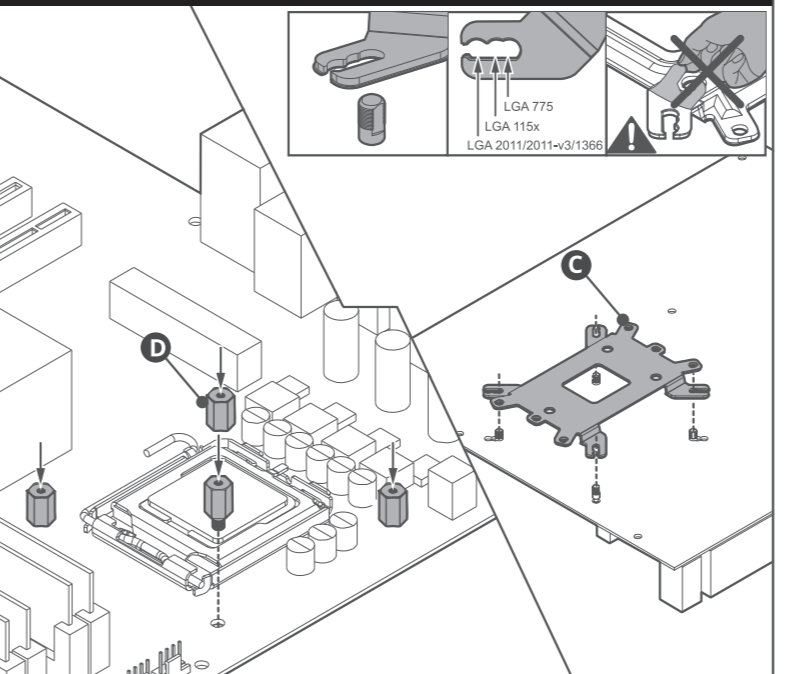
03. Intel & AMD



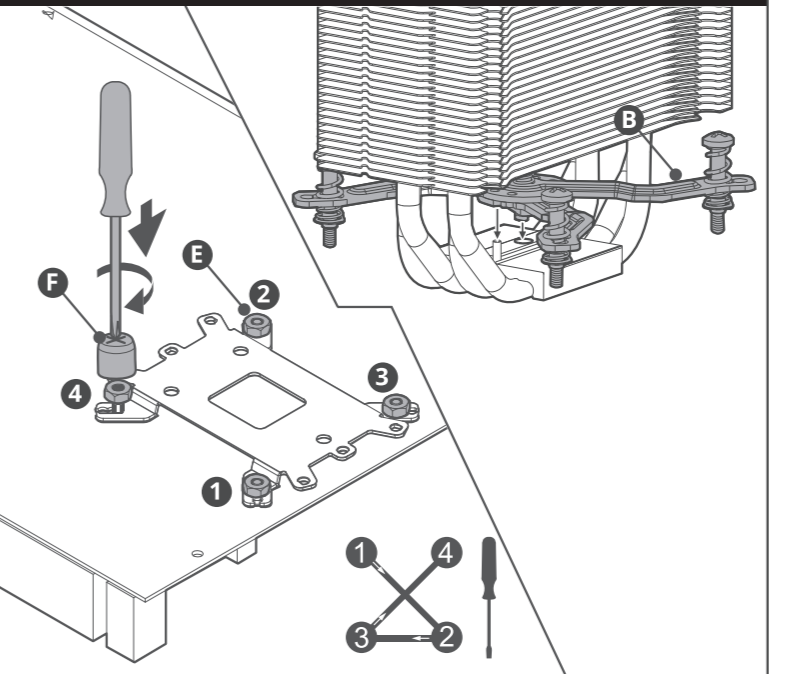
04. Intel - LGA 2011/2011-v3/1366/115x/775



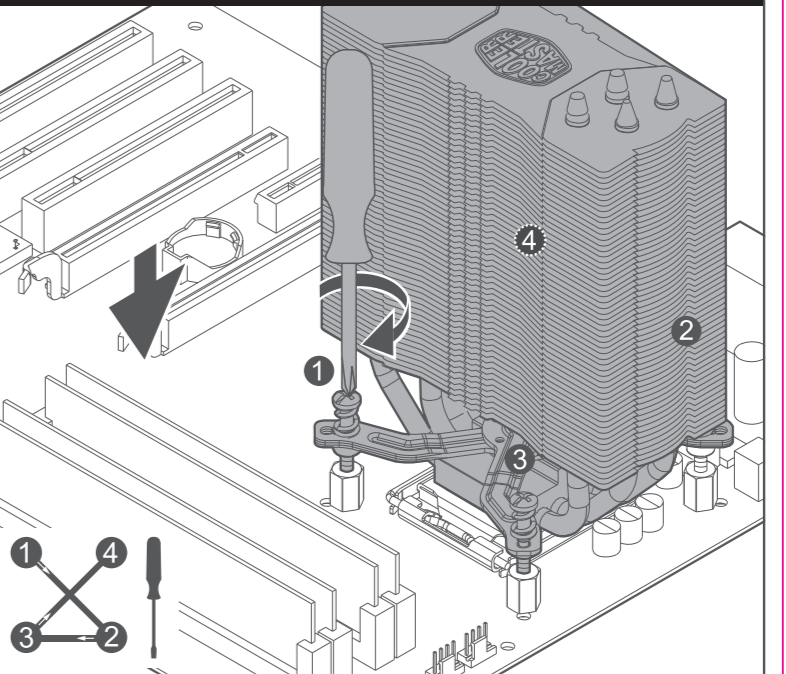
05. Intel - LGA 1366/1150/1156/1155/1151/775



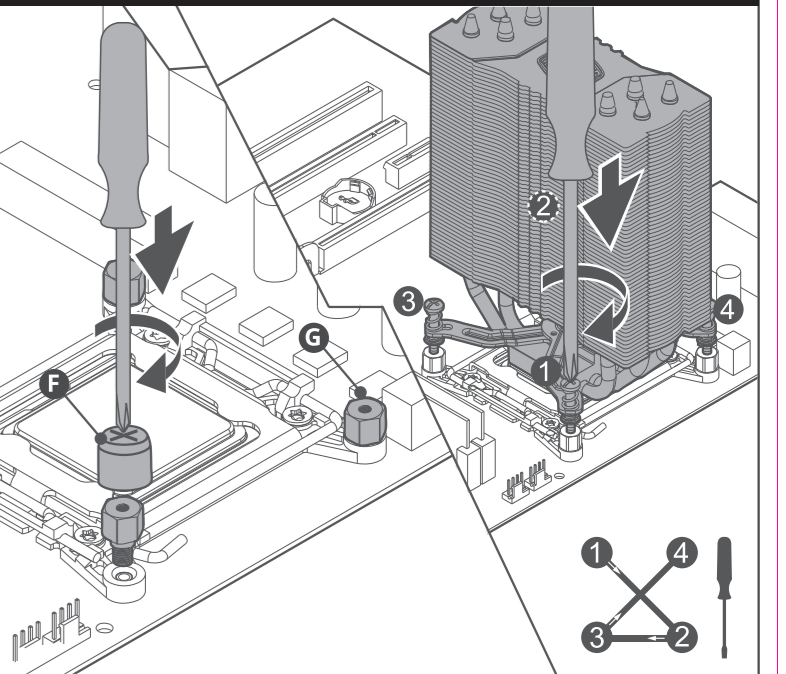
06. Intel - LGA 1366/1150/1156/1155/1151/775



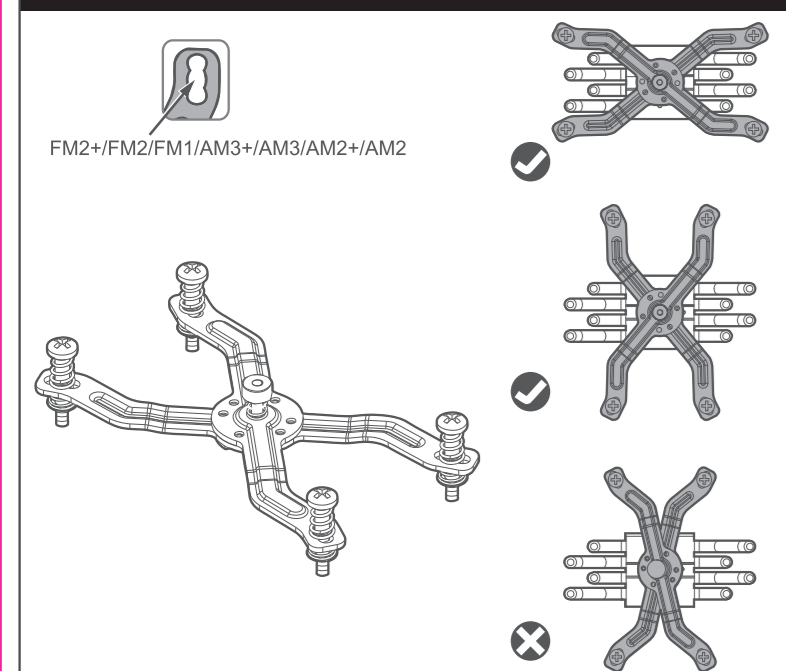
07. Intel - LGA 1366/1150/1156/1155/1151/775



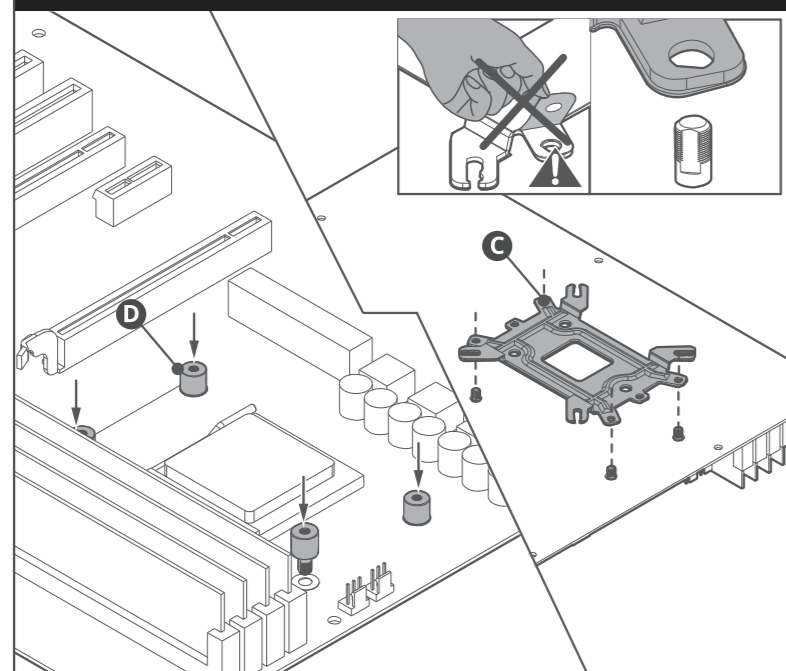
08. Intel - LGA 2011/2011-v3



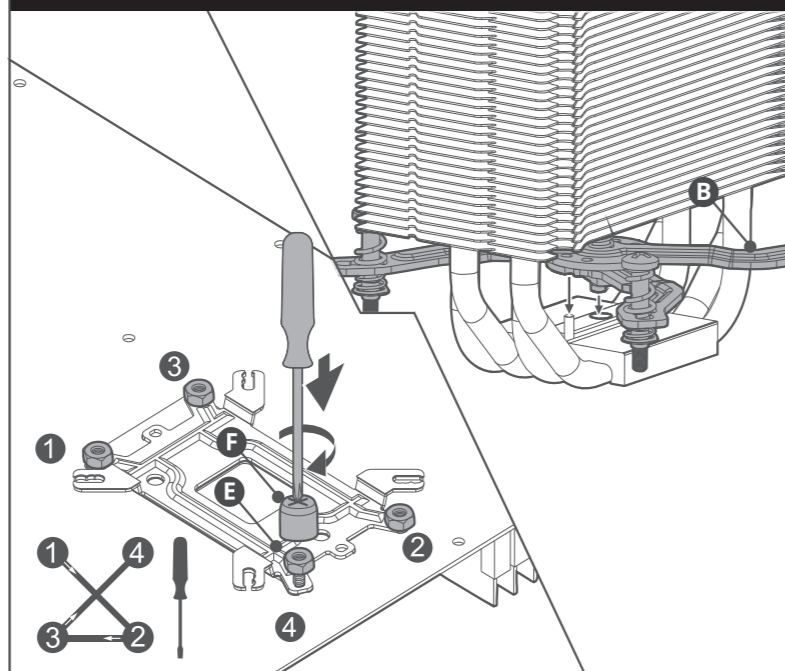
09. AMD



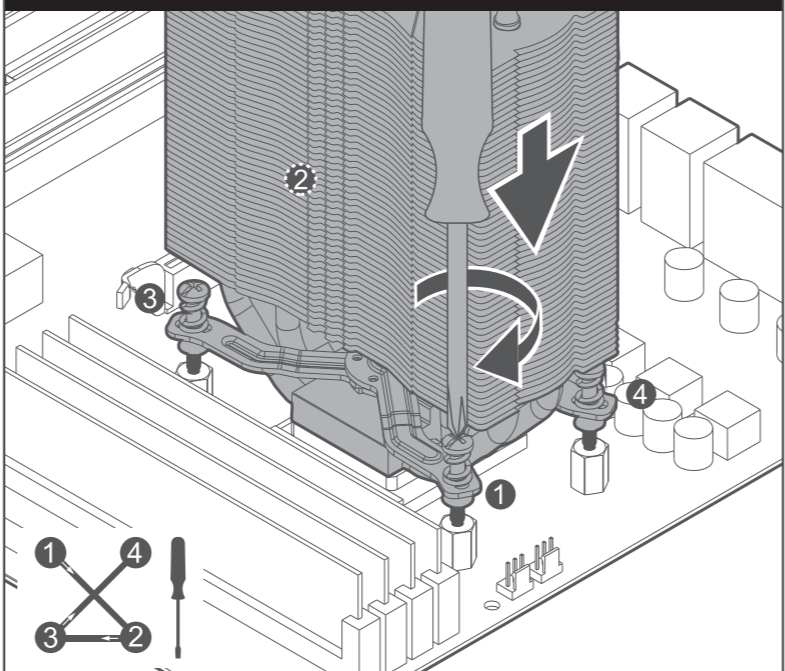
10. AMD



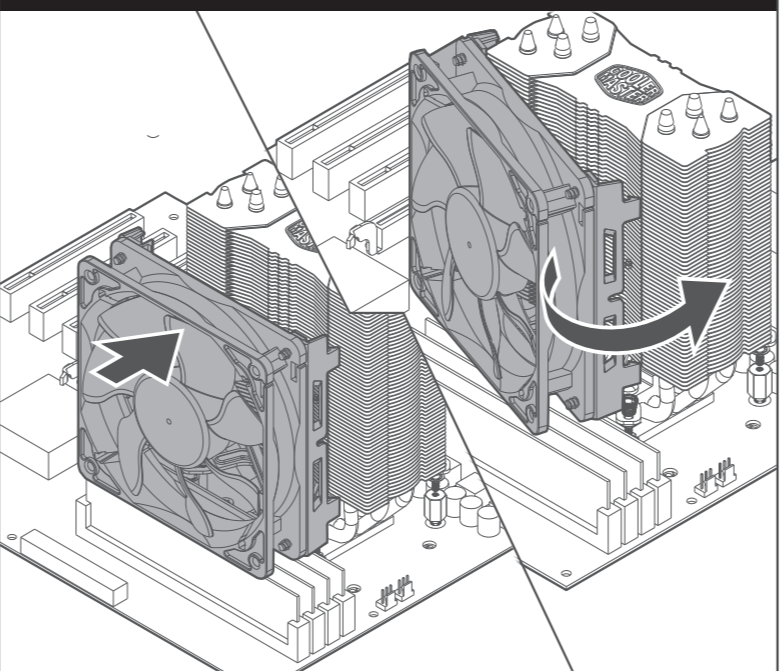
11. AMD



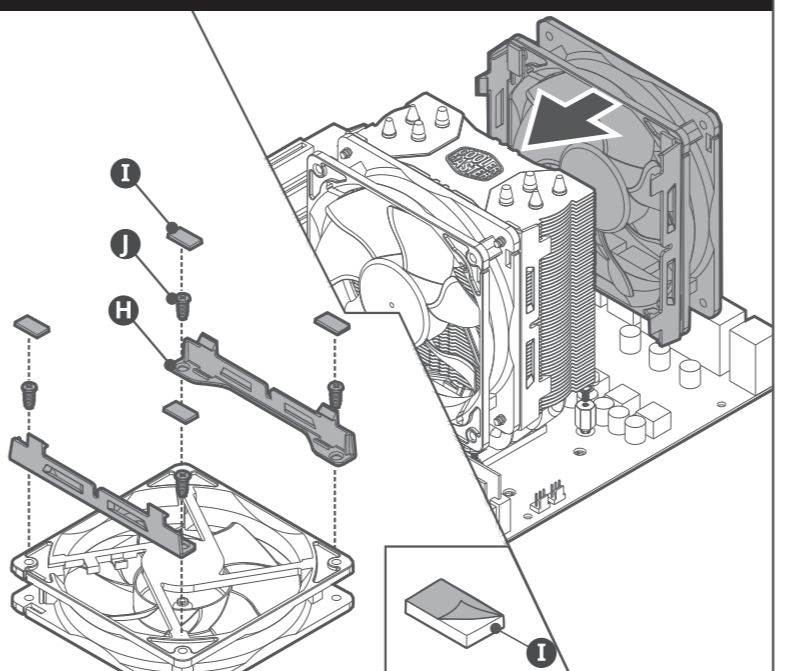
12. AMD



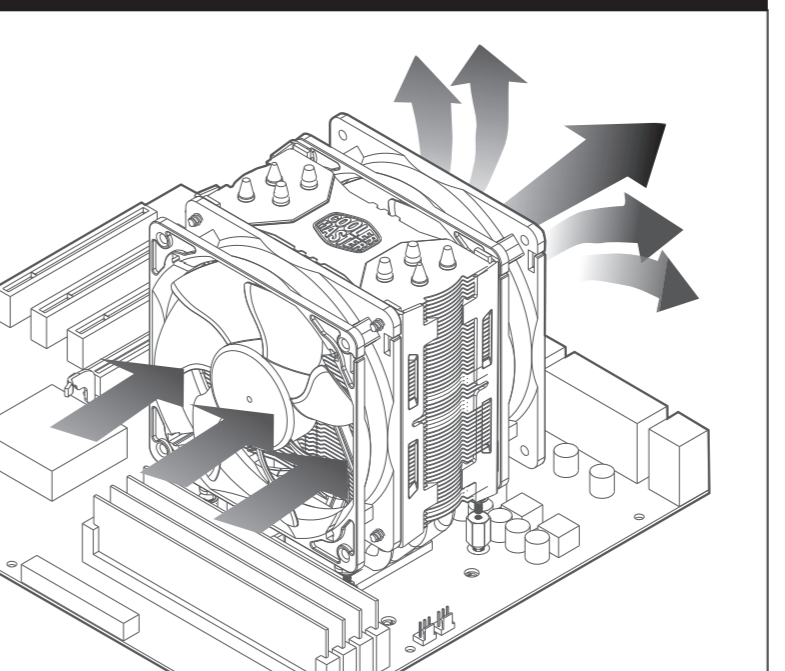
13. Intel & AMD



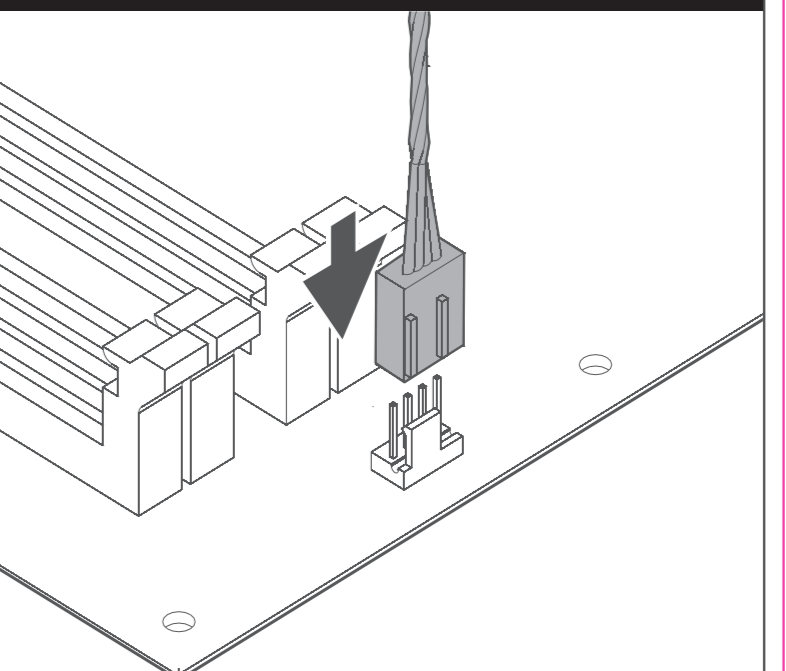
14. (THE 2ND FAN IS OPTIONAL)



15. (THE 2ND FAN IS OPTIONAL)



16. Intel & AMD



17. ADDITIONAL INFORMATION

Asia Pacific | Cooler Master Technology Inc.
8F, No. 788-1, Zhongzheng Rd., Zhonghe Dist., New Taipei City
23586, Taiwan (R.O.C.).
Tel: +886-2-2225-3517

China | Cooler Master China
Room 2062, Floor 6, No. 421, Weiqing Rd., Jinshan District,
Shanghai City, China
Tel: +86-21-51872177

Europe | Cooler Master Europe B.V.
Lodewijkstraat 1b, 5652AC Eindhoven, The Netherlands
Tel: +31-(0)40-702-9960

North America | Cooler Master NA
4820 Schaefer Ave. Chino CA. 91710, USA
Tel: +1-888-624-5099

For the most updated information, please visit our official website: www.coolermaster.com
Cooler Master Support: <https://account.coolermaster.com/>

51001130-GP Ver 1.0 2015/11
©2015 Cooler Master Technology Inc. All Rights Reserved. All trademarks are registered to their respective owners.