

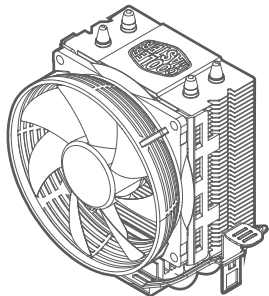


Hyper T20

USER MANUAL

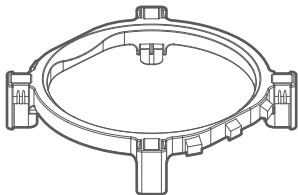
01. Package Content

A



x1

B



x1

C



x4

D



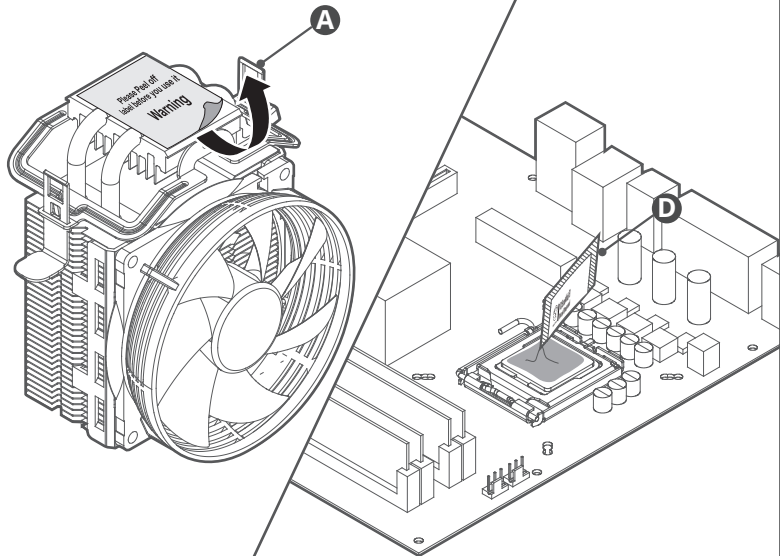
x1

E

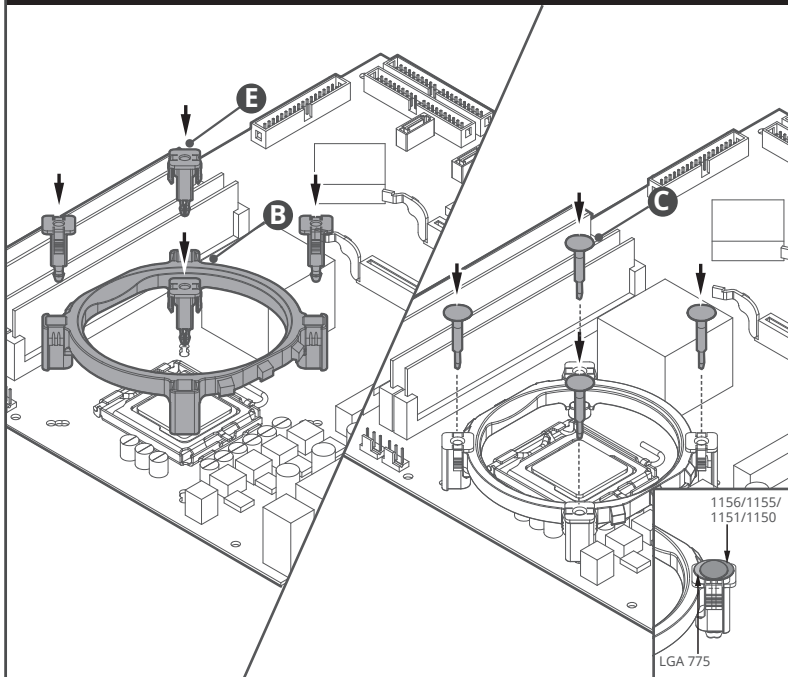


x4

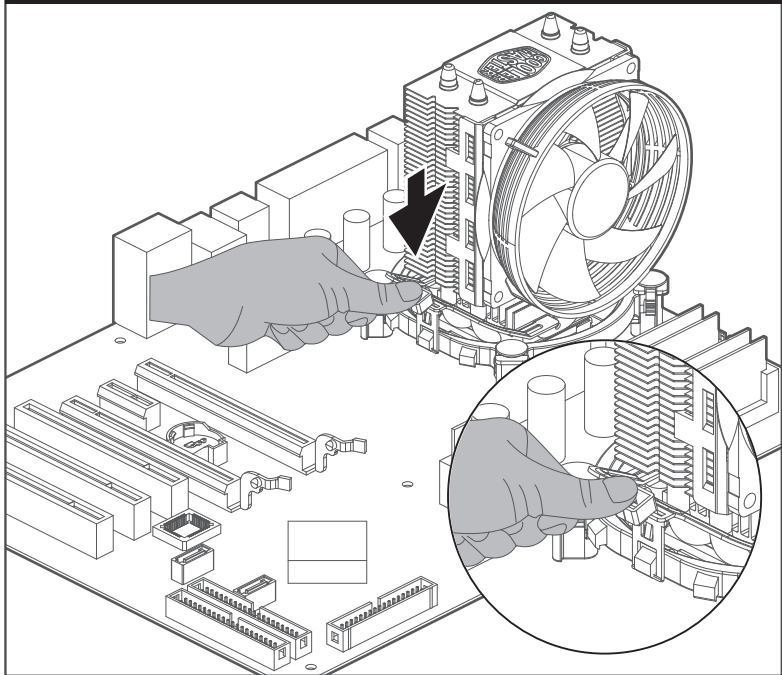
02. Intel - LGA1151/1150/1155/1156/775



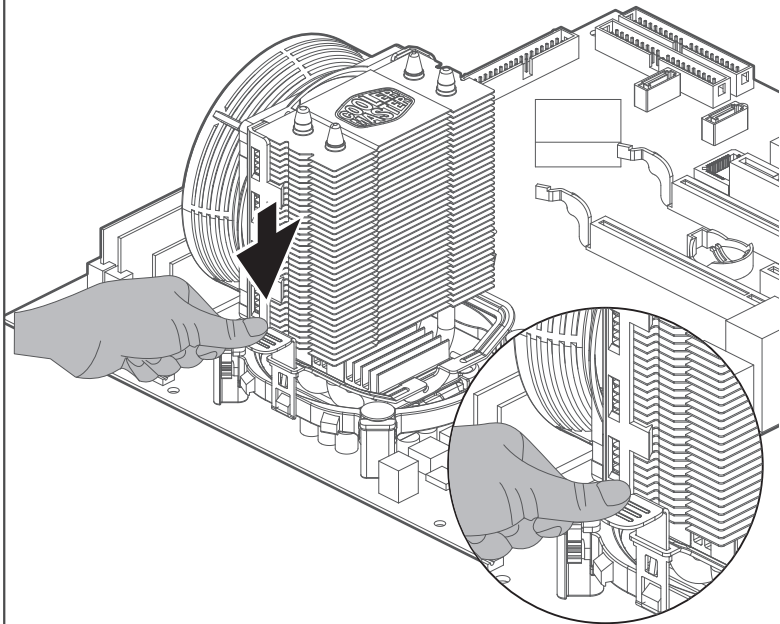
03. Intel - LGA1151/1150/1155/1156/775



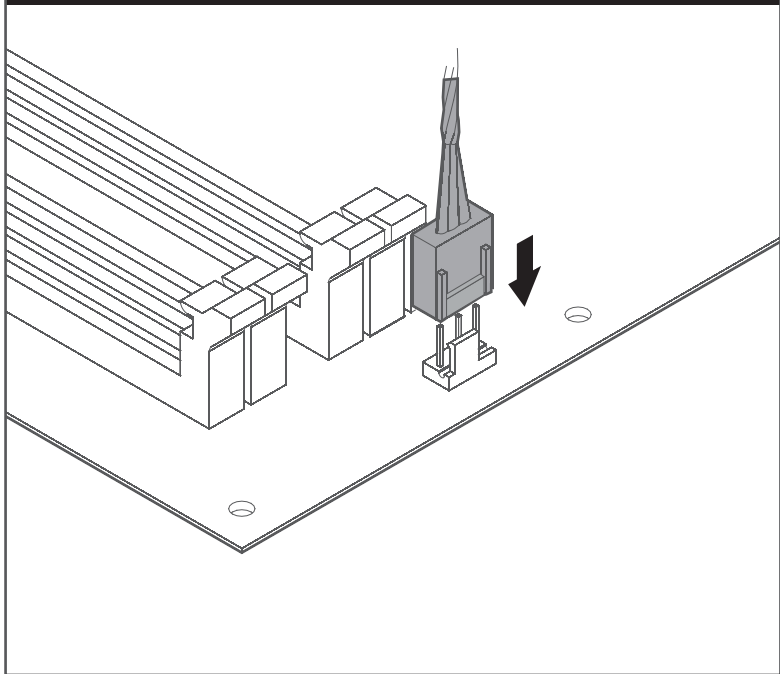
04. Intel - LGA1151/1150/1155/1156/775



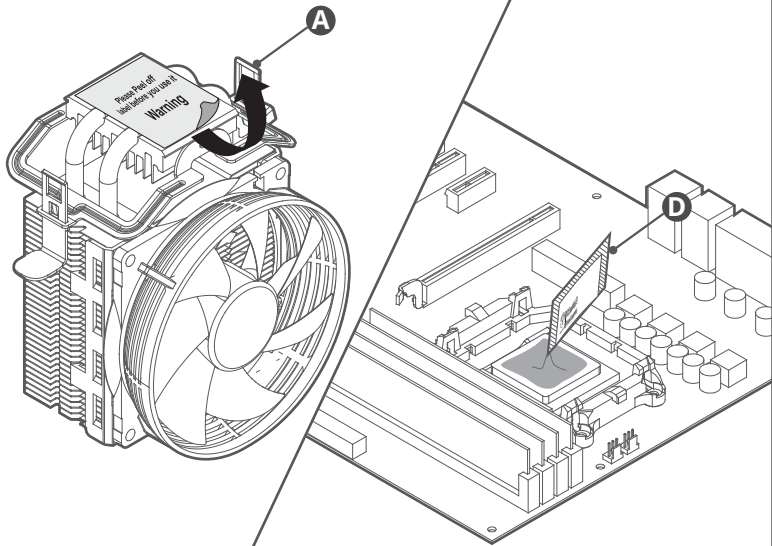
05. Intel - LGA1151/1150/1155/1156/775



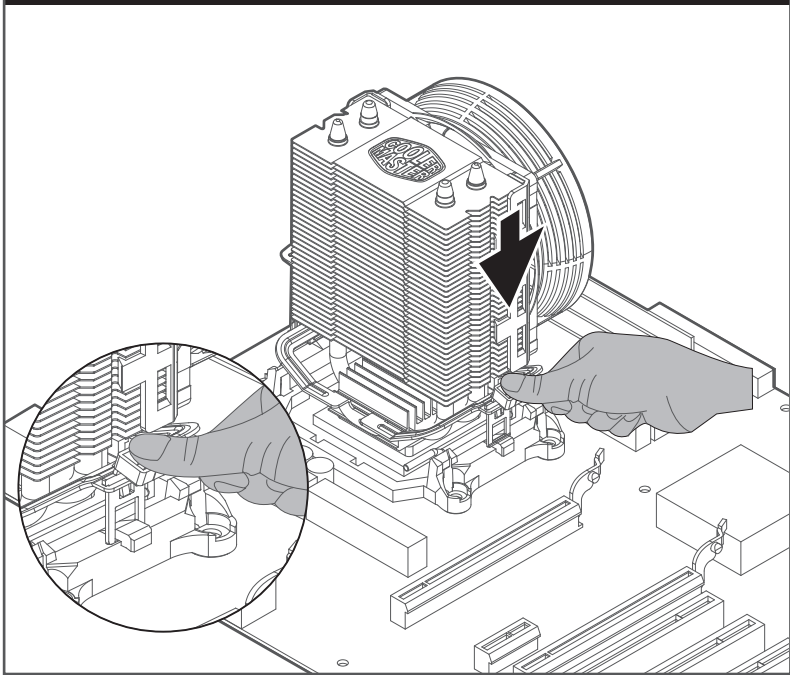
06. Intel - LGA1151/1150/1155/1156/775



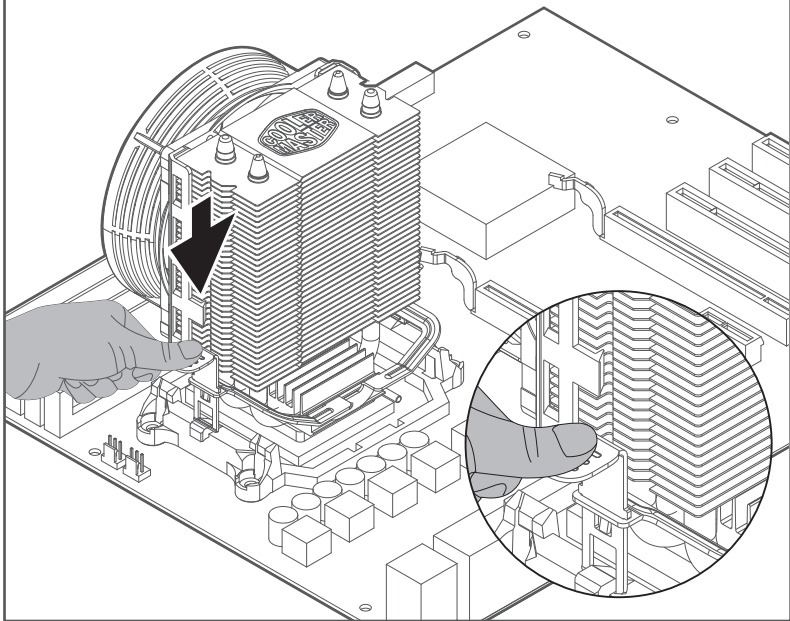
07. AMD AM4/AM3+/AM3/AM2+/FM2+/FM2/FM1



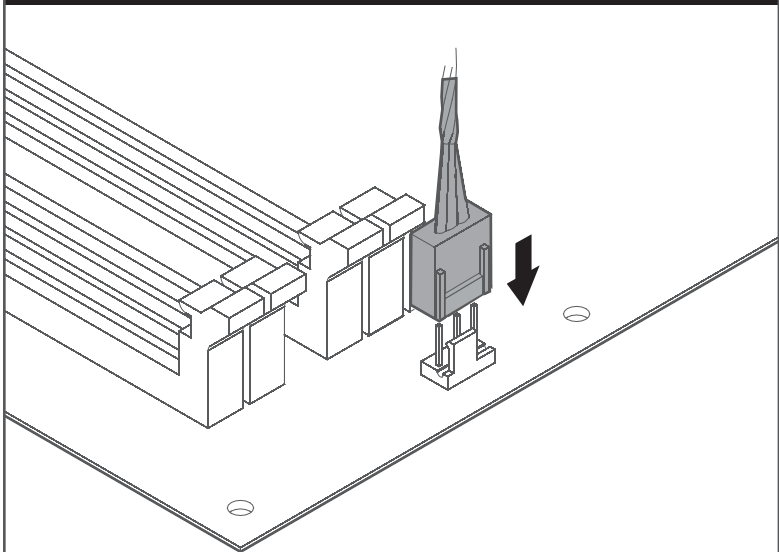
08. AMD AM4/AM3+/AM3/AM2+/FM2+/FM2/FM1



09. AMD AM4/AM3+/AM3/AM2+/FM2+/FM2/FM1



10. AMD AM4/AM3+/AM3/AM2+/FM2+/FM2/FM1



Please visit our website at www.coolermaster.com

Asia Pacific – Cooler Master Technology Inc.
8F., No. 788-1, Zhongzheng Rd., Zhonghe Dist.,
New Taipei City 23586, Taiwan (R.O.C.)
Tel: +886-2-2225-3517

Europe - Cooler Master Europe B.V.
Lodewijkstraat 1b, 5652AC Eindhoven,
The Netherlands
Tel: +31-(0)40-702-0900

China – Cooler Master China
Room 2062, Floor 6, No. 421, Weiquing Rd.,
Jinshan District, Shanghai City, China
Tel: +86-21-51872177

North America - Cooler Master Technology NA
4820 Schaefer Ave. Chino CA. 91710, USA
Tel: +1-888-624-5099

For the most updated information, please visit our official website: www.coolermaster.com
Cooler Master Support: <https://account.coolermaster.com/>



512002091-GP Ver 2.0 2018/10

©2018 Cooler Master Technology Inc. All Rights Reserved. All trademarks are registered to their respective owners.