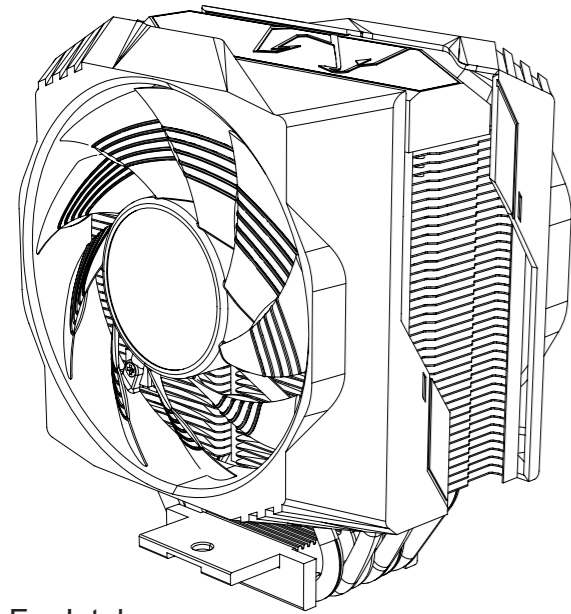
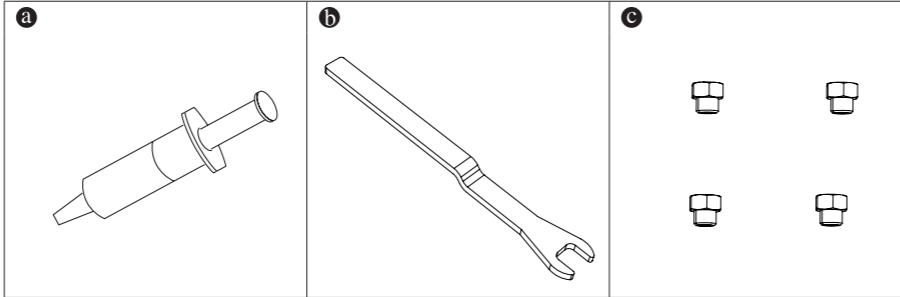


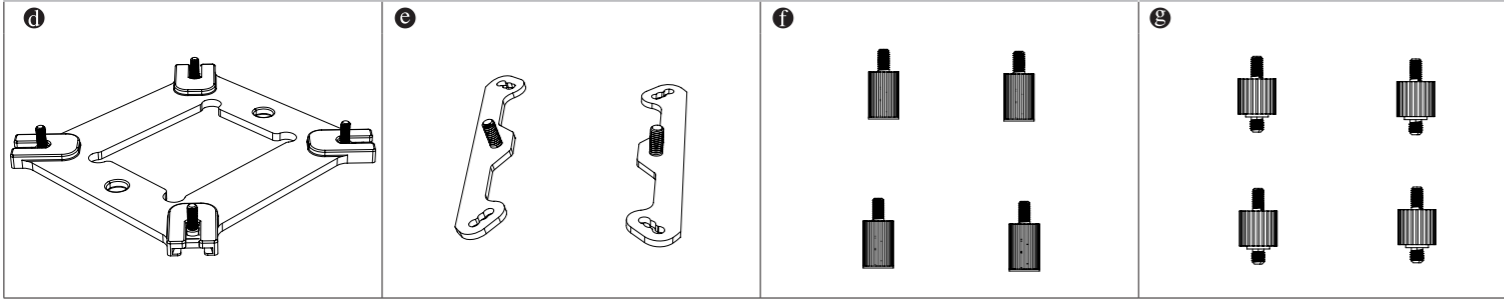
ATC800 Quick Installation Guide



Common Parts:

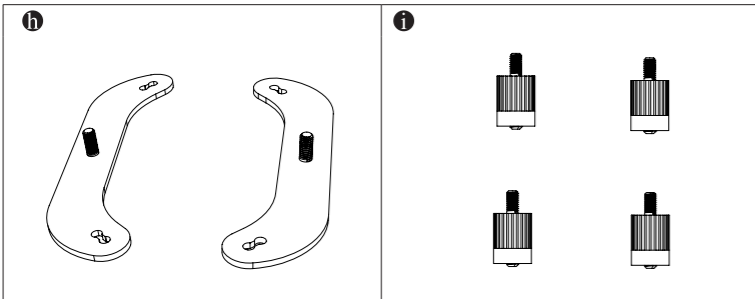


For Intel: LGA1366/115X/1200:

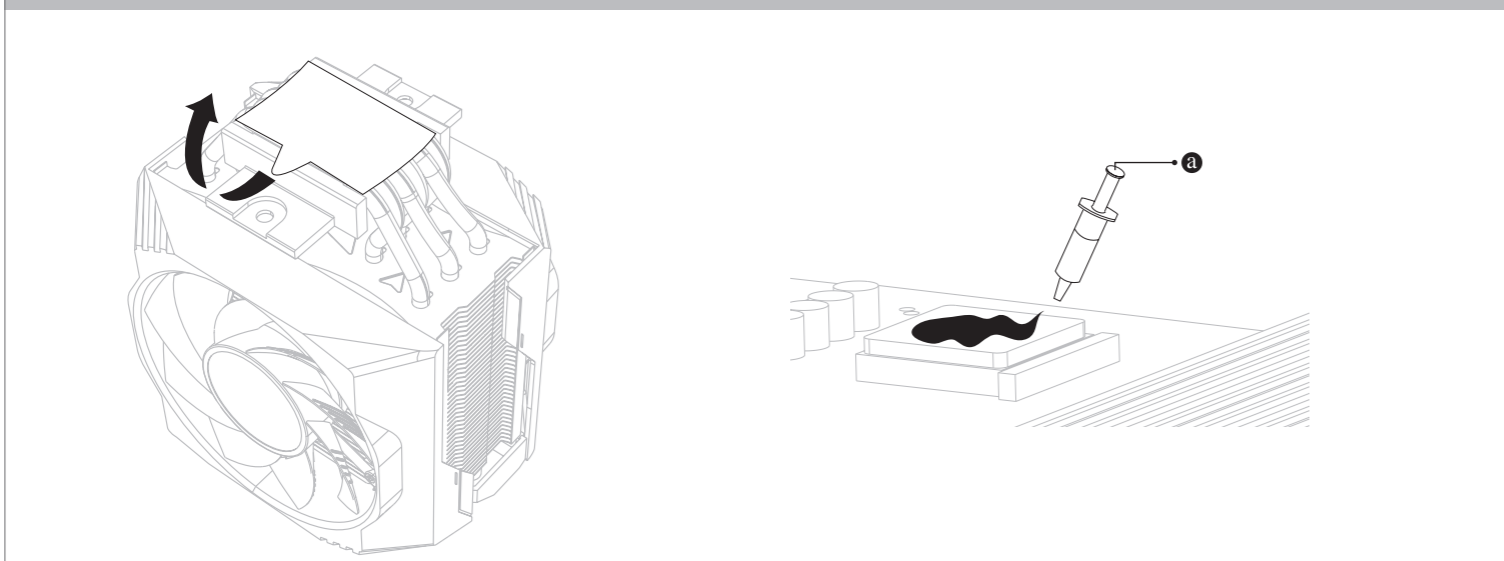


LGA2066/2011(V3):

For AMD:

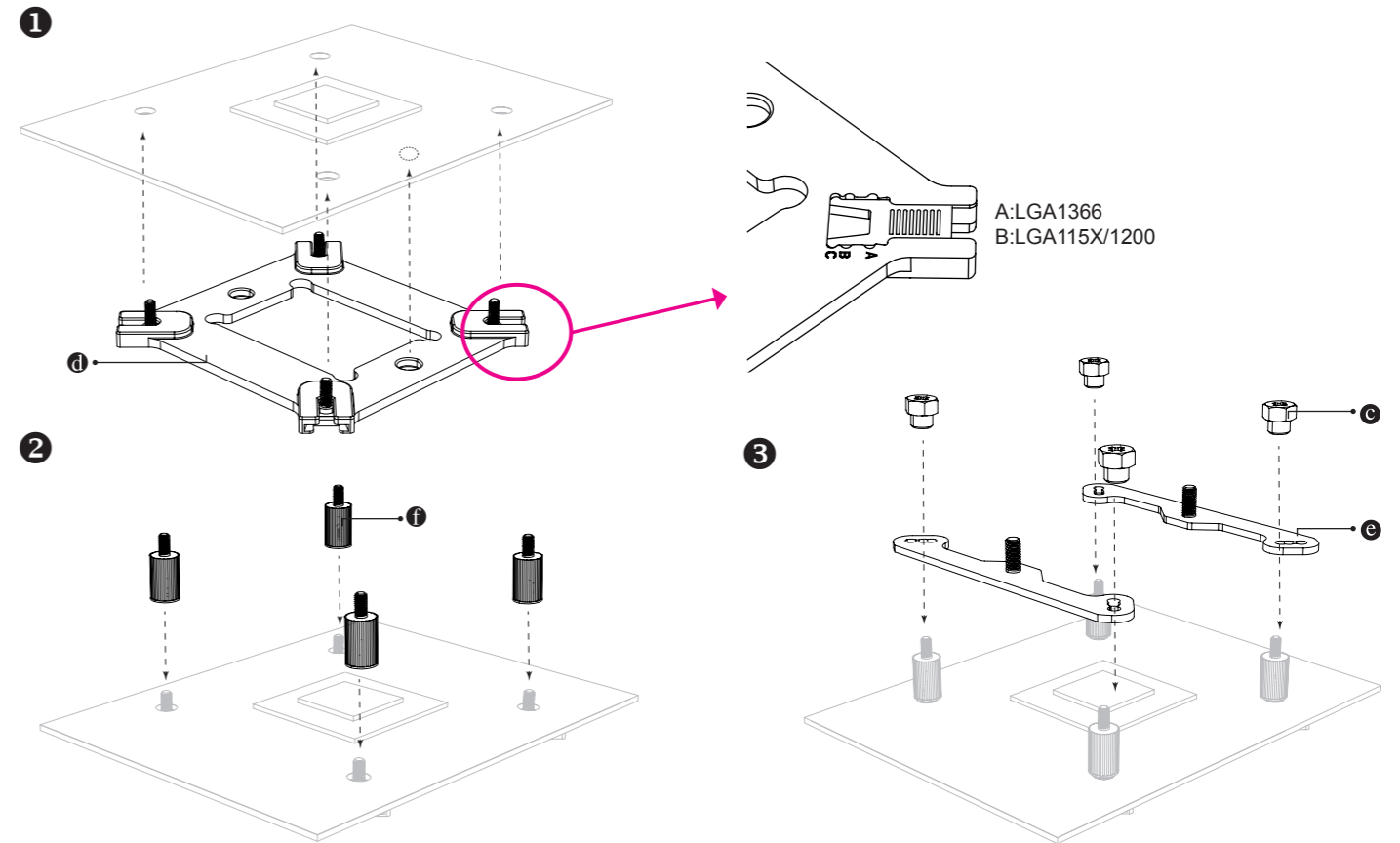


Before Installation

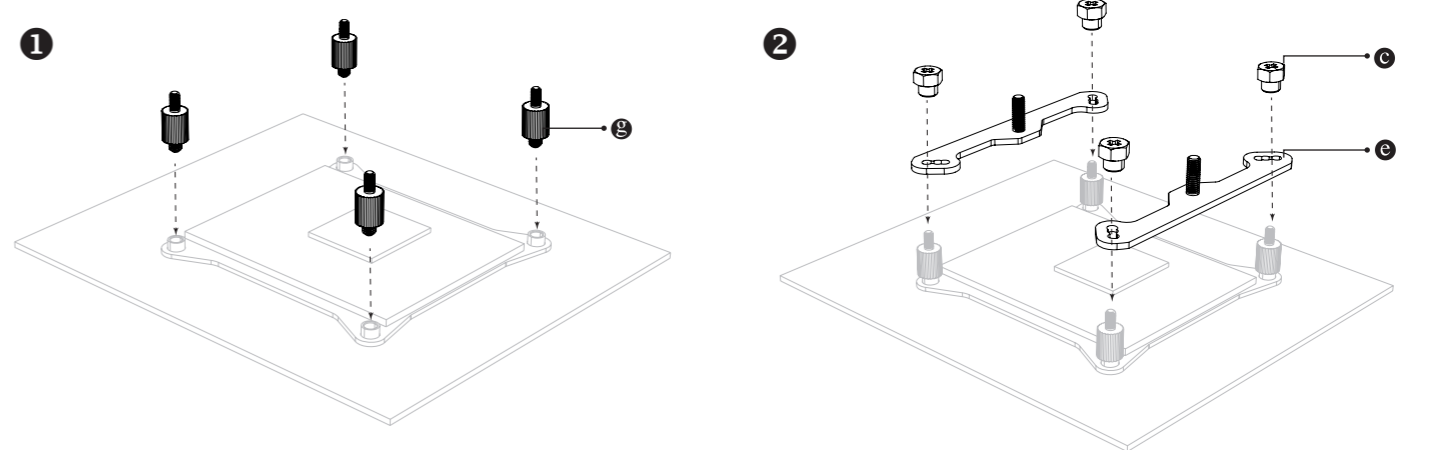


Installation Steps

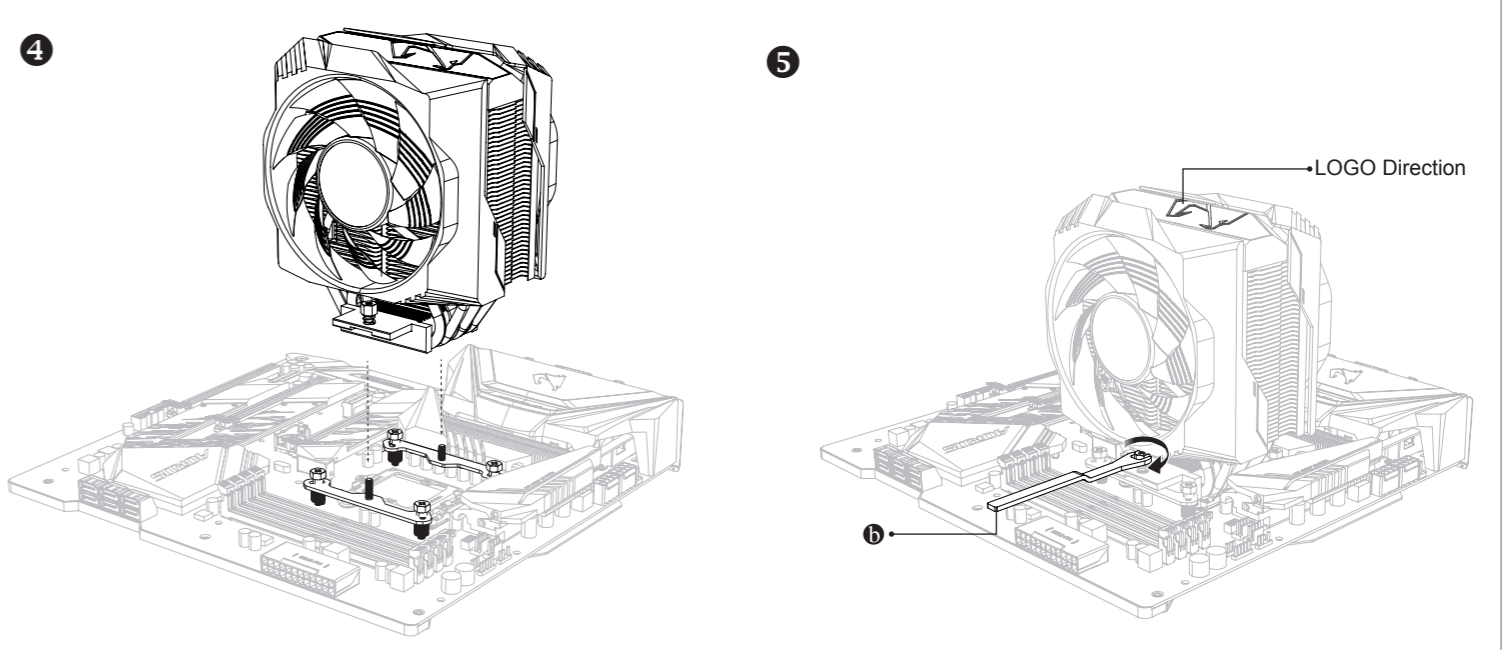
Intel LGA1366/115X:



Intel LGA2066/2011(V3):

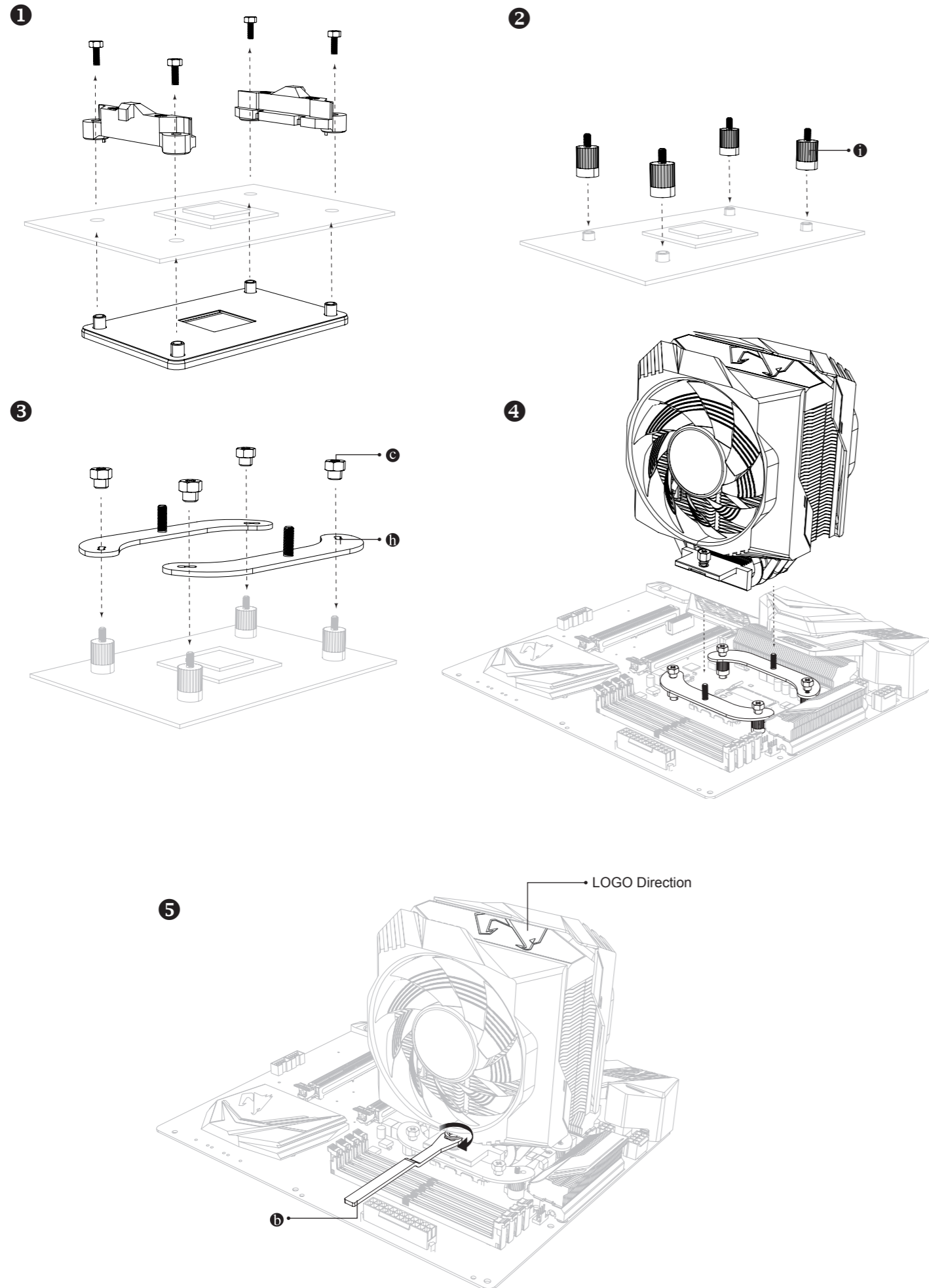


Intel LGA1366/115X/1200/2066(V3):

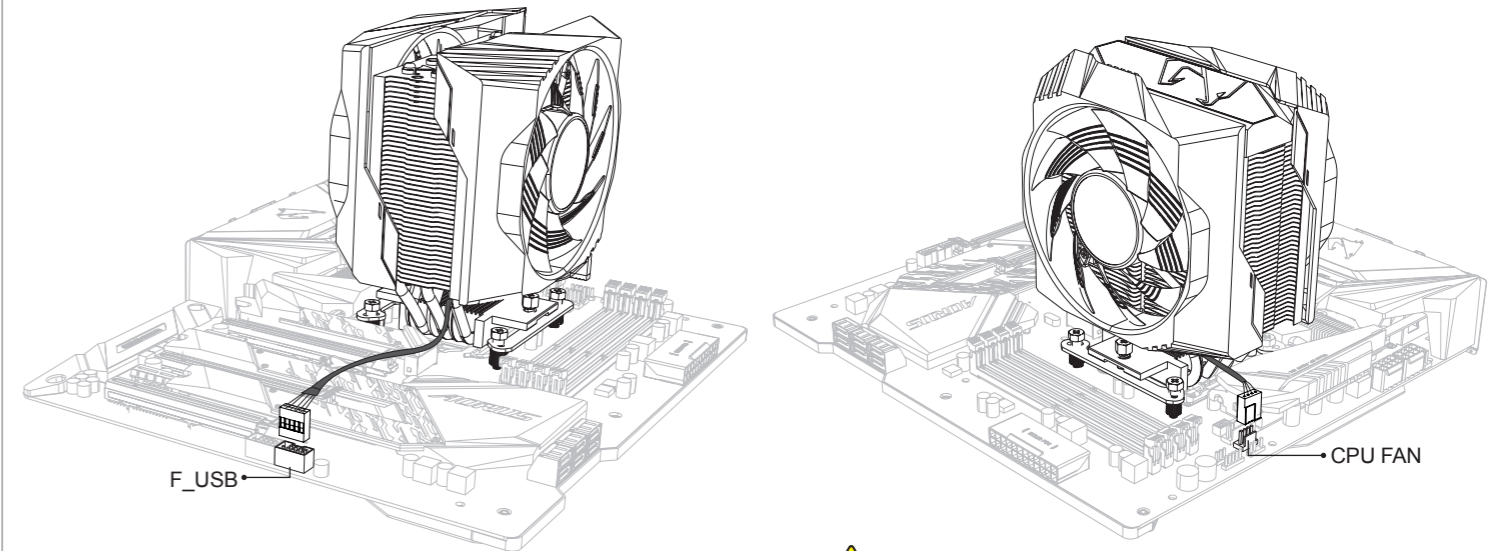



Installation Steps

AMD:

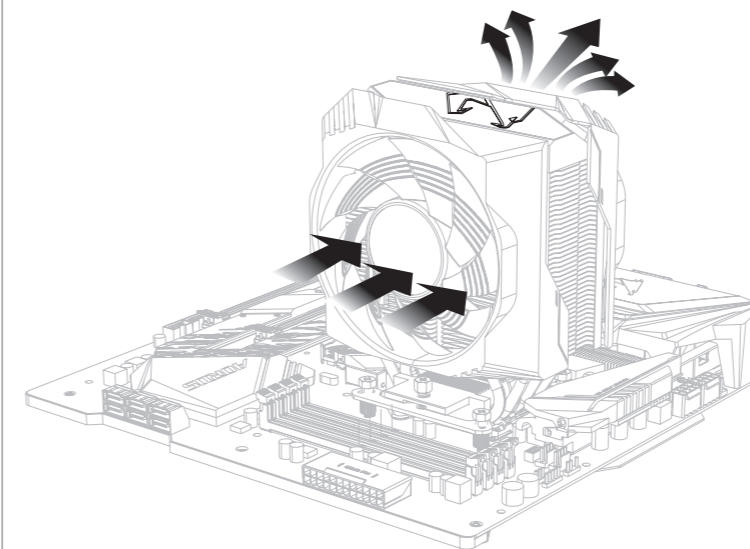


Cable Connection



 Connect CPU Fan header to fully support Temp/RPM indicator functions.

Air Flow Direction



For more product details, please visit GIGABYTE's website.

Copyright

© 2020 GIGA-BYTE TECHNOLOGY CO., LTD. All rights reserved.
The trademarks mentioned in this manual are legally registered to their respective owners.

Disclaimer

Information in this manual is protected by copyright laws and is the property of GIGABYTE. Changes to the specifications and features in this manual may be made by GIGABYTE without prior notice. No part of this manual may be reproduced, copied, translated, transmitted, or published in any form or by any means without GIGABYTE's prior written permission. For product-related information, check on our website at: <https://www.gigabyte.com>



Contact Us

GIGA-BYTE TECHNOLOGY CO., LTD.

Address: No.6, Baoqiang Rd., Xindian Dist., New Taipei City 231, Taiwan
TEL: +886-2-8912-4000, FAX: +886-2-8912-4005

Tech. and Non-Tech. Support (Sales/Marketing) : <https://esupport.gigabyte.com>

WEB address (English): <https://www.gigabyte.com>

WEB address (Chinese): <https://www.gigabyte.com/tw>

GIGABYTE™