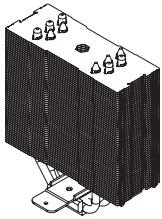
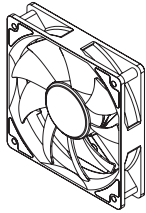


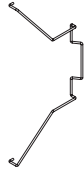
Parts List



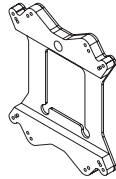
A x 1



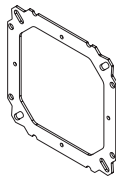
B x 1



C x 4



D x 1



E x 1



F x 4



G x 4



H x 4



I x 4



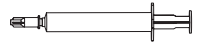
J x 2



K x 2



L x 4

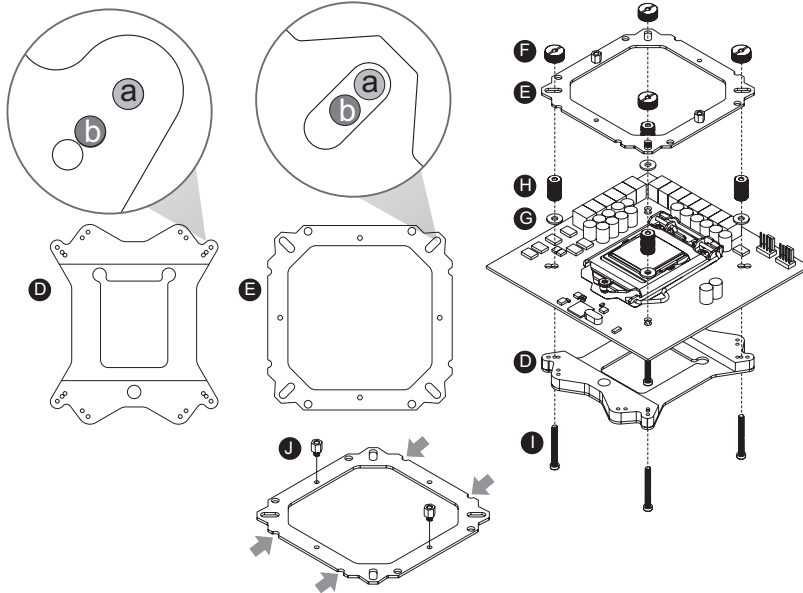


M x 1

Intel Installation Guide

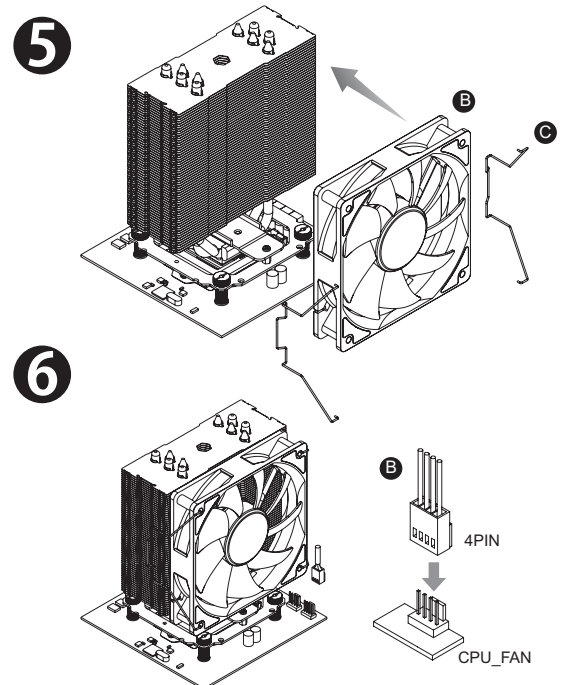
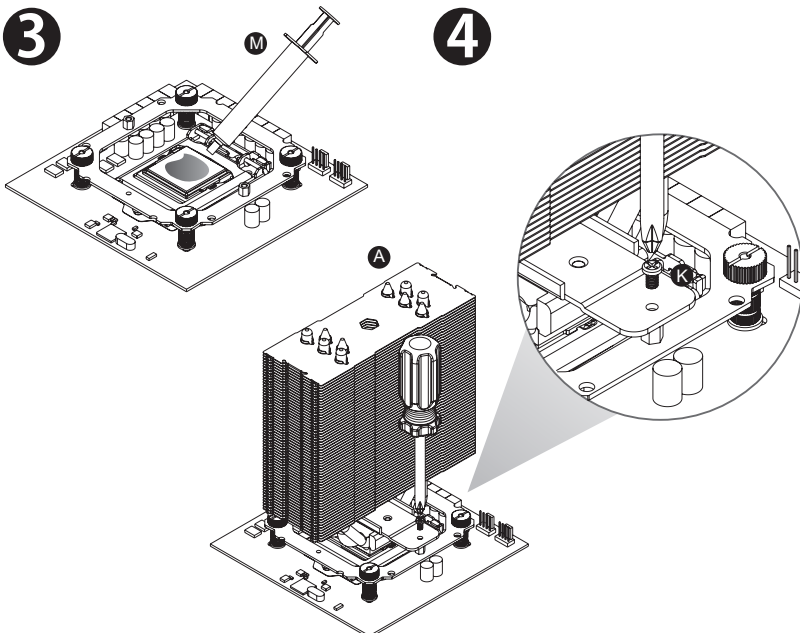
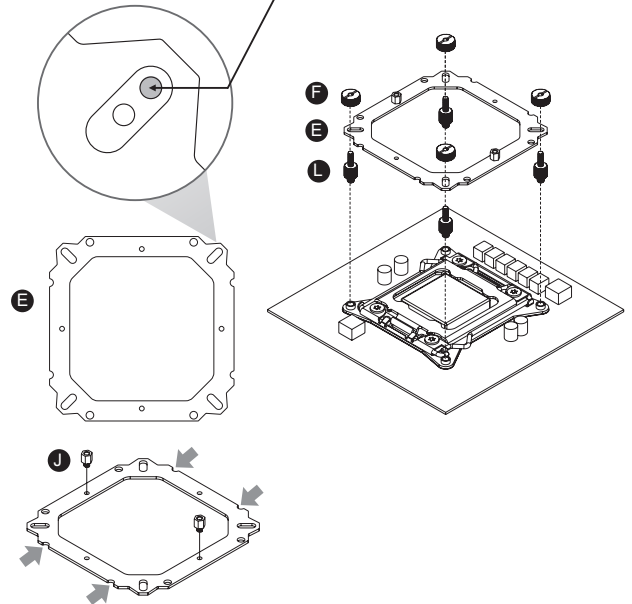
Intel LGA1366, LGA1200, LGA115x

- 1** a LGA1366
b LGA1200/1156/1155/1151/1150



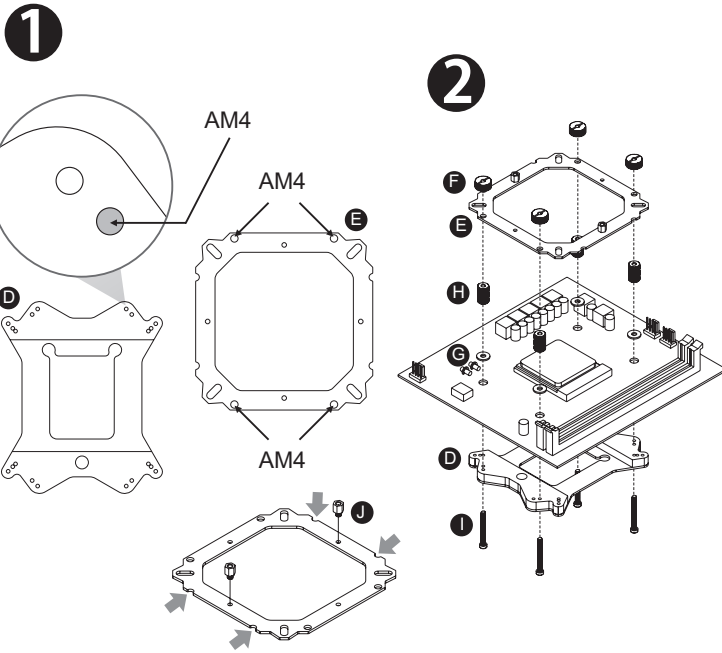
Intel LGA2066, LGA2011-3, LGA2011

- 1** LGA2066/2011-3/2011 **2**

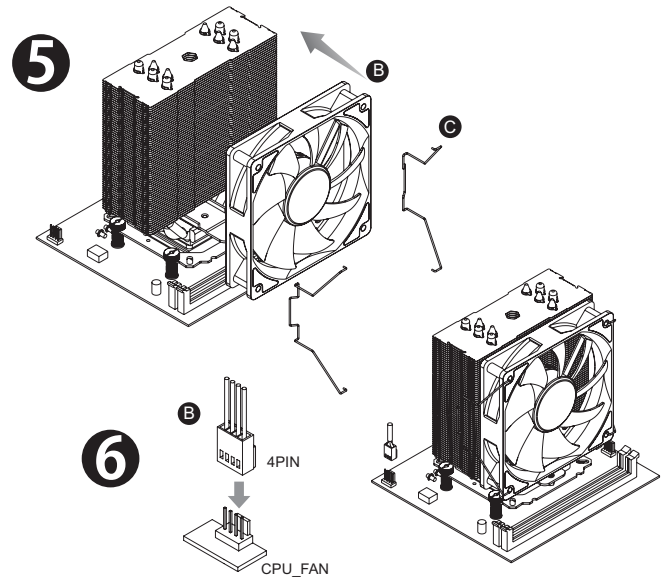
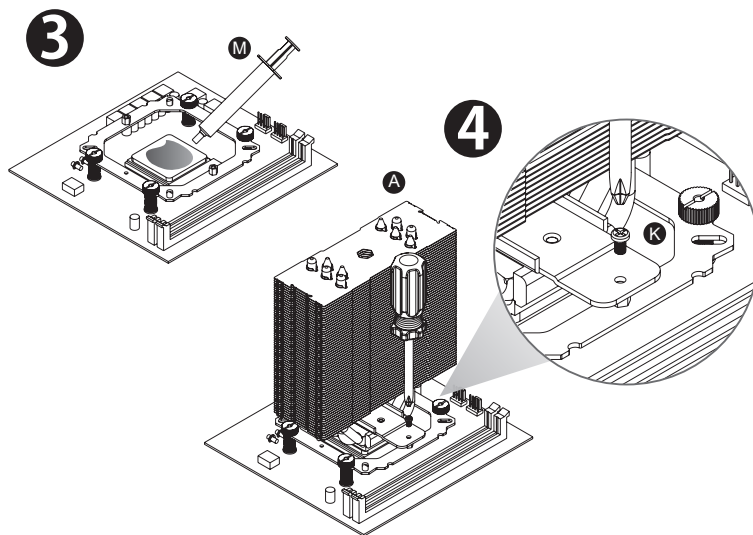
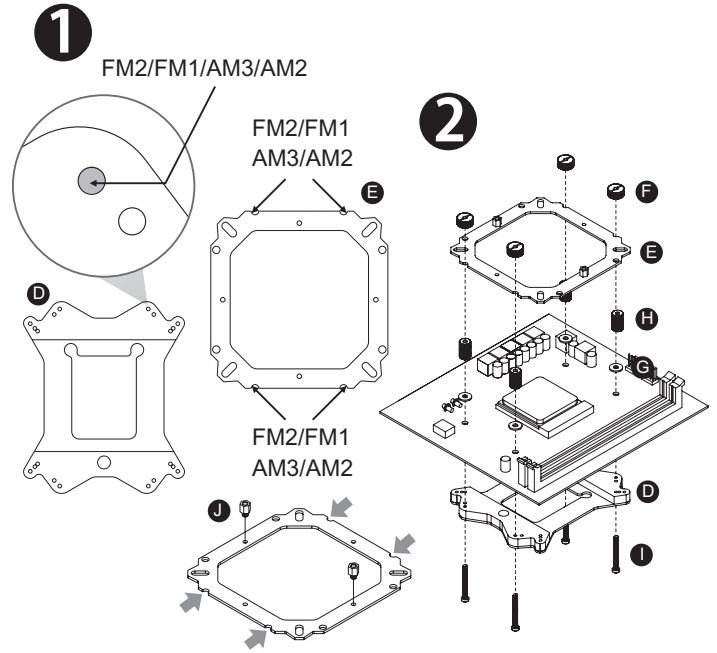


AMD Installation Guide

AMD AM4



AMD FM2/FM1/AM3/AM2



MB SYNC Installation Guide

⚠ CAUTION

Please power off the PC and check the Positive and Negative ends on the connector before connecting the cable to mainboard. Connecting the wrong end can damage the fans.

