

LIFT DESK WITH CONTROLLER

The controller is a simple yet classic hand control for height-adjustable desk. It allows the user to set four preferred heights and equipped with a three-digit height display. You can preset up to four positions. Use knob switch to move the desk to your desired position.

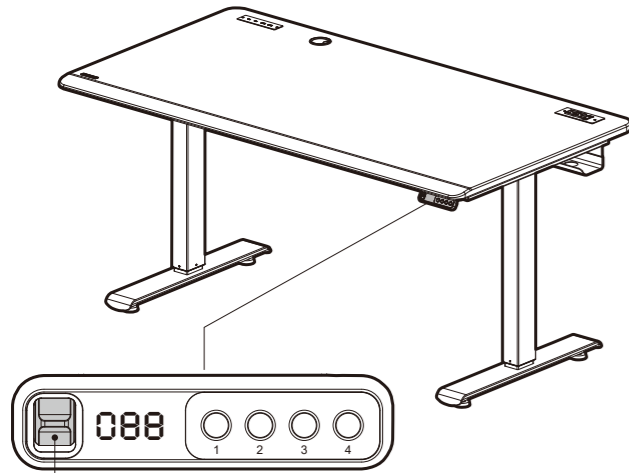
- 3-digit display shows the height of the desk.
- Memory functionality (4 settings)
- Mounted to the desk front side
- Knob switch for up and down
- Especially designed for adjustable height desk application.



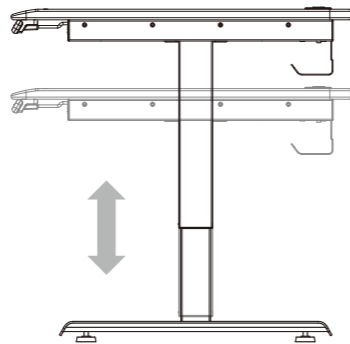
Users must conduct a reset when the desk operated for the first time. Simultaneously press button 3 and 4 for 8 seconds. Continue pressing the buttons until both columns are in lowest position. When finished with the reset, the control box makes a beep sound and the buttons can be released. Then, the display will show starting height.



Simultaneously press the preferred memory buttons (1,2,3,4) with scrolling down or up knob switch for 3 seconds, once the display shows P1 or P2 or P3 or P4, means the position is memorized. Then, just press button 1,2,3 or 4 to move desk to memorized position.



*Knob switch: Adjust the height adjustable desk to go up or down.



TROUBLESHOOTING

Issues(s)	Solution
Desk does not go up or down	Check all connections. Make sure power cord is plugged into the control box and a power outlet. Unplug the power cord and replug after 10 seconds. Re-initialize the desk. If the problem persists, switch motor cables from one port to another at control box and re-initialize one more time. If you have been using the desk continuously for 2 minutes, non-movement might be due to overheat. Stop using the desk for 10 minutes and let it cool down.
Columns do not go up evenly.	Unplug the power cord and re-plug after 10 seconds. Re-initialize the desk. If the problem persists, switch motor cables from one port to another at control box and re-initialize one more time.
Desk wobbles pretty excessively.	It is normal that desk wobbles slightly at standing height when in use. Make sure all the screws are tightened and adjust leveling studs if the floor is uneven.
Desk is unusually noisy	It is normal that the desk is noisier when one stage extends into the other. Apply silicon based lubricant if it is unusually noisy.
<p>Reset may be needed from time to time in events like non-movement, uneven movement, sudden power outage, over-load, overheat and etc.</p> <p>For most electronic devices, reset is simply a power-off and a power-on. This desk has dual motors. The reset involves more than a conventional power-off and power-on as both motors need to be synchronized. The reset process is the same as initialization. If your desk has memory controller, press and hold both UP and DOWN arrow buttons, and release both buttons when 000 appears. If your desk has basic 2-button controller, press and hold UP and DOWN arrow buttons for 3 seconds, and then release both buttons. The desk will first go to the lowest position, then the highest position and finally stops in between.</p>	

ERROR CODE FOR DESK WITH MEMORY CONTROLLER

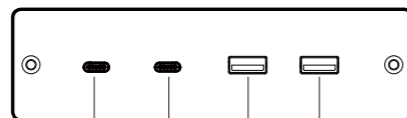
The digital display shows the error code s below to suggest the issues that users may encounter during the operation.

Error Code	Solution
E00	Not reset completely
E01	Overuse protection
E02	Unbalance protection
E03	Anti-collision
E04	T-touch Protection
E11	M1 Motor over-current protection
E12	M2 Motor over-current protection
E21	No Hall sensor from M1
E22	No Hall sensor from M2
E31	No current from M1
E32	No current from M2

Docking Station Spec sheet (Optional)

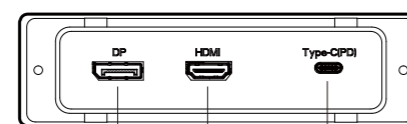
Features	
Input Port	Type C with PD Function
Type C (Data only) x 1	
Type	USB3.1 Gen 1
Speed	5Gb/S
Power Delivery	Unable (Data Only)
Battery Charging	Enable
Type A x 2	
Type	USB3.1 Gen 1
Speed	5Gb/S
Battery Charging	Enable
Type C (Power IN with PD Charge) x 1	
Type	USB 2.0 Data
Speed	480Mb/S
Power Delivery	Enable, PD 3.0
HDMI	
Max. Resolution	HDMI 2.0 4K@ 60Hz
DP	
Max. Resolution	DP 1.4 4K@ 60Hz
Power Request	
Support Power Adapter	Max 100W

Top



Type C (With PD Function)
Type C (Data only)
USB 3.1

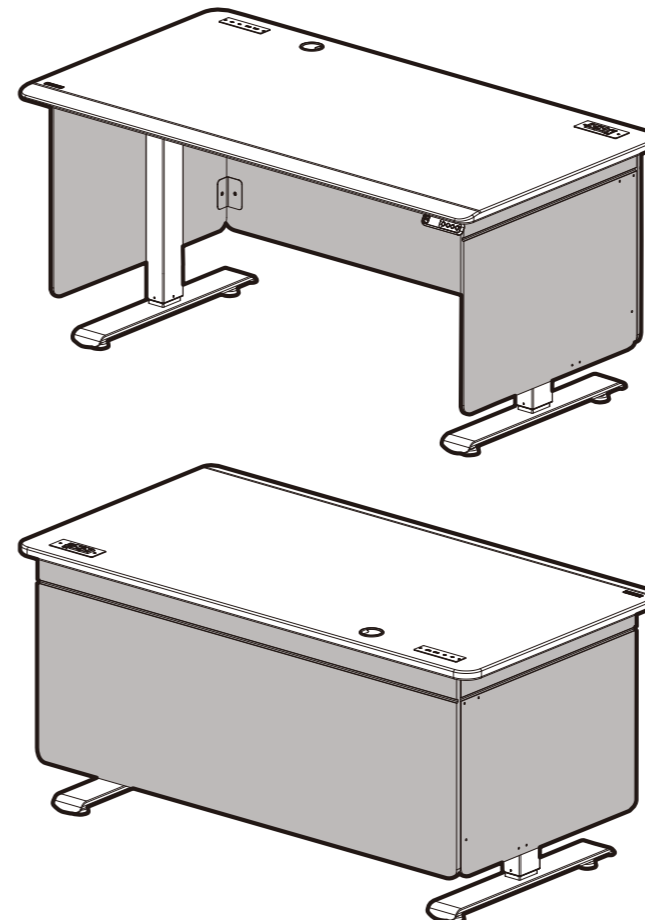
Bottom



DP 1.4
HDMI 2.0
TYPE-C (PD Charge)

Note:
Final resolution of HDMI or DP output depends on your host devices.
System Requirements: The connected laptop must support Power Delivery and DisplayPort Alt Mode via the USB-C port.

Modesty panel optional



Габариты

