

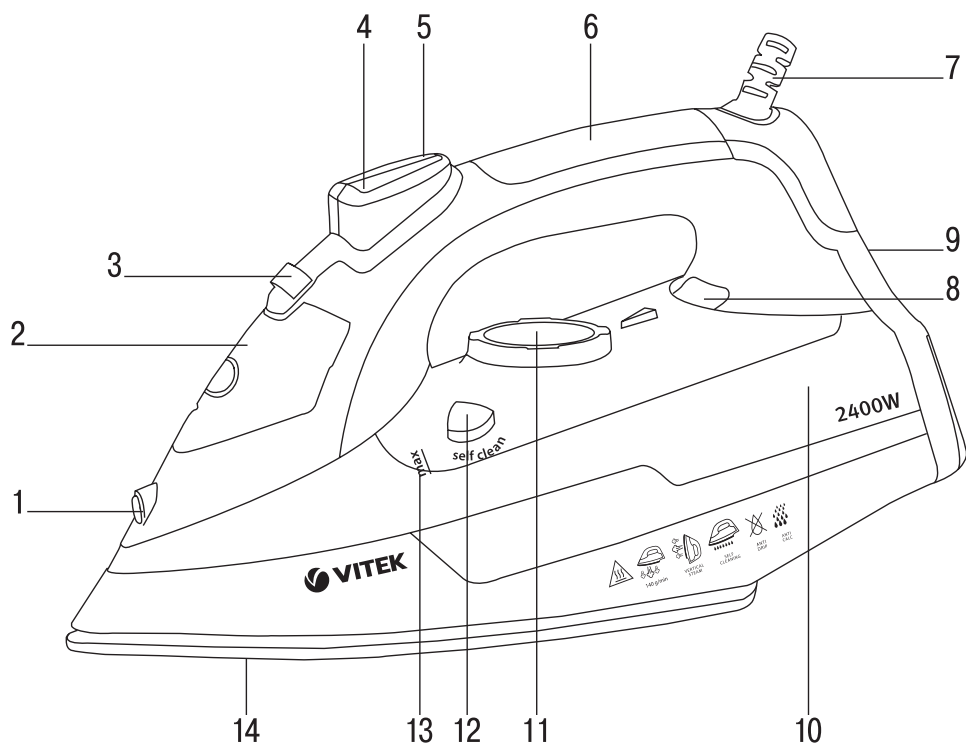
VT-1266 B

Iron

Утюг

Инструкция по эксплуатации

GB Manual instruction	3
DE Die betriebsanweisung	8
RUS Инструкция по эксплуатации	14
KZ Пайдалану нұсқасы	20
UA Інструкція з експлуатації	26



ATTENTION!

- Do not use the iron after dropping it, in case of visible damages or leakage.
- Place the iron on a flat stable surface or use a stable ironing board.
- Do not use the iron if the power plug or the power cord is damaged or if there are other damages in the unit.
- Always take the power plug out of the mains socket before filling the water tank with water.
- The water inlet lid should be closed during ironing.
- Attention! The surfaces of the iron get hot during operation. To avoid burns, do not touch hot surfaces of the iron and do not expose open parts of your body to outgoing steam.
- Pour out water from the water tank only after unplugging the iron.
- Never leave the operating iron unattended.
- This unit is not intended for usage by children under 8 years of age. Place the unit out of reach of children under 8 years of age during the operation and cooling down.
- This unit is not intended for usage by people (including children over 8) with physical, neural and mental disorders or with insufficient experience or knowledge. Such persons may use this unit only if they are under supervision of a person who is responsible for their safety and if they are given all the necessary and understandable instructions concerning the safe usage of the unit and information about danger that can be caused by its improper usage.
- Water tank may contain water residue, this is normal, as the iron has undergone factory quality control.

ENGLISH

IRON VT-1266 B

The iron is intended for ironing clothes and bedding and for vertical steaming of fabrics.

DESCRIPTION

1. Water spray
2. Water inlet lid
3. Continuous steam supply knob
4. Burst of steam button
5. Water spray button
6. Handle
7. Power cord protection
8. Heating element pilot lamp
9. Base
10. Water tank
11. Temperature control knob
12. Self-clean button
13. Maximum water level mark
14. Soleplate

ATTENTION!

For additional protection it is reasonable to install a residual current device (RCD) with nominal operation current not exceeding 30 mA, to install RCD, contact a specialist.

SAFETY MEASURES

Before using the electrical unit, read this instruction manual carefully and keep it for future reference.

Use the unit for its intended purpose only, as specified in this manual. Mishandling of the unit may lead to its breakage and cause harm to the user or damage to his/her property.

- Before switching the unit on, make sure that your home mains voltage corresponds to the iron operating voltage.
- The power cord is equipped with a «europlug»; plug it into the socket with a reliable grounding contact.
- To avoid risk of fire, do not use adapters for plugging the unit in.
- To avoid mains overloading, do not switch several electrical appliances on with high power consumption at a time.
- Do not use the iron outdoors and in places with high humidity.
- Place the iron on a flat stable surface or use a stable ironing board.

ATTENTION! *The surfaces of the iron warm up during operation. Avoid contact of open skin areas with the iron hot surfaces or outgoing steam to avoid burns.*

- Do not fill the water tank with scented liquids, vinegar, starch solution, descaling reagents, chemicals, etc.
- Do not switch the unit on in places where aerosols are sprayed or highly flammable liquids are used.
- Make sure that the power cord is not on the ironing board and it doesn't touch hot surfaces and sharp edges.
- Never leave the unit connected to the mains unattended. During breaks in operation, put the iron on the base (in vertical position).
- Before plugging/unplugging the iron, set the temperature control knob to the minimum position and switch the continuous steam supply off.
- Always unplug the iron if you are not using it.
- Always take the power plug out of the mains socket before filling the water tank with water.
- The water inlet lid should be closed during ironing.
- To unplug the iron, always hold the power plug, never pull the power cord.
- To avoid electric shock, do not immerse the iron, the power cord and the plug into water or any other liquids.
- Before taking the iron away, let it cool down completely and pour out the remaining water.
- Pour out water from the water tank only after unplugging the iron.
- **Clean the unit regularly.**
- **Do not touch the unit body and the power plug with wet hands.**
- Do not allow children to touch the iron body and the power cord during operation.
- Do not leave children unattended to prevent using the unit as a toy.
- For children safety reasons do not leave polyethylene bags, used as packaging, unattended.

ATTENTION! *Do not allow children to play with polyethylene bags or packaging film. **Danger of suffocation!***

- Never use the unit if the power plug or the power cord is damaged, if the iron works improperly, after it was dropped or in case of leakage.
- Do not attempt to repair the unit. Do not disassemble the unit by yourself, if any malfunction is detected or after it was dropped, unplug the unit and apply to any authorized service center from the contact address list given in the warranty certificate and on the website www.vitek.ru.

- Transport the unit in the original package only.
- Keep the unit out of reach of children and disabled persons.
- This unit is not intended for usage by children. Place the unit out of reach of children during the operation and cooling down.
- The unit is not intended for usage by physically or mentally disabled persons (including children) or by persons lacking experience or knowledge if they are not under supervision of a person who is responsible for their safety or if they are not instructed by this person on the usage of the unit.

THE UNIT IS INTENDED FOR HOUSEHOLD USAGE ONLY

BEFORE THE FIRST USE

After unit transportation or storage at low temperature keep it for at least three hours at room temperature.

- Unpack the iron; remove protection from the soleplate (14), if any.
- Check the unit for damages, do not use the iron in case of damages.
- Before switching the iron on, make sure that your home mains voltage corresponds to the iron operating voltage.
- There may be water residue in the tank, this is normal, as the iron has undergone factory quality control.

Notes: When the iron is switched on for the first time, the heating element of the iron burns, therefore occurrence of foreign smell and a small amount of smoke is possible, it is normal.

WATER SELECTION

You can use tap water to fill the water tank (10). If tap water is hard, use distilled or demineralized water, this will prolong service life of the iron.

Note: Do not fill the water tank (10) with scented liquids, vinegar, starch solution, descaling reagents, chemical agents, and etc.

FILLING THE WATER TANK

Before filling the iron with water, make sure that it is unplugged.

- Set the temperature control knob (11) to the position «OFF» (SWITCHED OFF), and the continuous steam supply knob (3) to the lower position – steam supply is off.
- Open the water inlet lid (2).

- Pour water into the water tank (10) and then close the lid (2) tightly.


Notes:

- Do not pour water over the «MAX» mark (13).
- If you need to refill water during ironing, switch the iron off and unplug it.
- After you finish ironing, switch the iron off, wait until it cools down completely, then open the water inlet lid (2), turn over the iron and drain the remaining water.

IRONING TEMPERATURE

Before operation, test the heated iron on a piece of cloth to be sure that the iron soleplate (14) and the water tank (10) are clean.

- Always check the recommended ironing temperature indicated on the tag before ironing.
- If there is no tag with recommended ironing temperature, but you know the type of fabric, use the following table to determine the proper temperature.

Icons	Fabric type (temperature)
	do not iron
•	synthetics, nylon, acrylic, polyester (low temperature)
••	silk/wool (medium temperature)
•••	cotton/linen (high temperature)

- This table is only valid for smooth materials. Fabrics of other types (crimped, raised, etc.) are best ironed at low temperature.
- First sort items by ironing temperature: synthetics to synthetics, wool to wool, cotton to cotton etc.
- The iron heats up faster than it cools down. For this reason, it is recommended to iron the items which require low temperature first (for instance, synthetic fabrics). After that, start ironing at higher temperatures (silk/wool). Cotton and linen items should be ironed last.
- If an item is made of mixed fabrics, the iron should be set to the lowest temperature (for instance, if an item is 60% polyester and 40% cotton, it should be ironed at temperature used for polyester ironing «••»).
- If you cannot define the fabric structure, find a spot that is inconspicuous when the item is being worn and select the ironing temperature experimentally (always start with the lowest

ENGLISH

temperature and raise it gradually until you get the desired result).

- Corduroy and other fabrics that become glossy quickly should be ironed strictly in one direction (in the direction of the pile) with slight pressure.
- To avoid appearance of glossy spots on synthetic and silk fabrics, iron them backside.

SETTING THE IRONING TEMPERATURE

- Place the iron on its base (9).
- Insert the power plug into the mains socket.
- Turn the knob (11) to set the required ironing temperature: «●», «●●», «●●●» or «MAX» (depending on the type of fabric), the pilot lamp (8) will light up.
- Once the temperature of the soleplate (14) reaches the set point, the pilot lamp (8) will go out and you can start ironing.

Note:

- *If you are ironing at high temperature but you need to switch to low temperature, wait until the soleplate temperature decreases and the pilot lamp(8) lights up, and only then you may start ironing. While steam ironing it is necessary to set the ironing temperature «●●●» or «MAX».*

WATER SPRAY

- You can dampen the fabric by pressing the water spray button (5) several times.
- Make sure that there is enough water in the water tank (10).

DRY IRONING

- Place the iron on its base (9).
- Insert the power plug into the mains socket.
- Set the continuous steam supply knob (3) to the lower position (steam supply is off).
- Turn the knob (11) to set the required ironing temperature: «●», «●●», «●●●» or «MAX» (depending on the type of fabric), the pilot lamp (8) will light up.
- Once the soleplate (14) reaches the set temperature, the pilot lamp (8) will go out and you can start ironing.
- After you finish ironing, set the temperature control knob (11) to the «OFF» position.
- Pull the power plug out of the mains socket and let the iron cool down completely.

STEAM IRONING

While steam ironing it is necessary to set the ironing temperature «●●●» or «MAX». The iron is

provided with an anti-drip valve that stops water supply if the soleplate temperature is too low, this prevents dripping from the soleplate (14) openings. During heating and cooling of the iron soleplate, you will hear characteristic clicks of the anti-drip valve opening/closing, which indicates its normal operation.

- Place the iron on its base (9).
- Set the continuous steam supply knob (3) to the lower position – steam supply is off.
- Insert the power plug into the mains socket.
- Make sure that there is enough water in the water tank (10).
- Turn the knob (11) to set the required ironing temperature: «●●●» or «MAX», the pilot lamp (8) will light up.
- Once the temperature of the soleplate (14) reaches the set point, the pilot lamp (8) will go out and you can start ironing.
- Turn the continuous steam supply knob (3) to set the required steam generation rate, steam will start going out from the soleplate (14) openings.
- The continuous steam supply knob (3) has three positions: the lower position – the steam supply is off, the middle and higher position - with various intensity of steam generation. For maximum continuous steam supply set the knob (3) to the higher position.
- After you finish ironing, set the temperature control knob (11) to the position «OFF», and the continuous steam supply knob (3) to the lower position – steam supply is off.
- Pull the power plug out of the mains socket and let the iron cool down completely.

ATTENTION!

If steam is not supplied constantly during the operation, check whether the temperature control knob (11) and the continuous steam supply knob (3) are set properly and whether there is water in the water tank (10).

BURST OF STEAM

The burst of steam function is useful for ironing folds and can only be used at high ironing temperatures (when the iron temperature control knob (11) is set to the position «●●●» or «MAX»).

- When pressing the burst of steam button (4) steam will go out of the iron soleplate more intensively.

Note: *To avoid water leakage from steam openings, press the burst of steam button (4) with a 4-5 sec. interval.*

VERTICAL STEAMING

Vertical steam function can be used only at high ironing temperatures (that is, when the temperature control knob (11) is set to «••••» or «MAX»). Hold the iron vertically at the distance of 10-30 cm from the clothes and press the burst of steam button (4) with 4–5 second interval, steam will be released from the soleplate (14) intensively.

Important information: *Vertical steaming is not recommended for synthetic fabrics.*

- To avoid fabric melting, do not touch it with the iron soleplate while steaming.
- Never steam clothes on a person as temperature of the released steam is very high, use a clothes hanger or a coat rack.
- After you finish ironing, switch the iron off, wait until it cools down completely, then open the water inlet lid (2), turn over the iron and pour out the remaining water.

STEAM CHAMBER CLEANING

To prolong lifetime of the iron we recommend cleaning the steam chamber regularly.

- Set the continuous steam supply knob (3) to the lower position – the steam supply is off.
- Fill the water tank (10) until its filled half way.
- Place the iron on its base (9).
- Insert the power plug into the mains socket.
- Set the control knob (11) to the maximum soleplate temperature «MAX», the pilot lamp (8) will light up.
- When the soleplate (14) reaches the desired temperature value, the pilot lamp (8) will go out, you can start cleaning the steam chamber.
- Switch the iron off by setting the temperature control knob (11) to the «OFF» position. Remove the power plug from the mains socket.
- Hold the iron horizontally above the sink, press and hold down the self-clean button (12).
- Boiling water and steam with scale will be released from the iron soleplate (14) openings.
- Slightly sway the iron back and forth until all the water leaves the water tank (10).
- Place the iron on its base (9) and let it cool down completely.
- When the iron soleplate (14) cools down completely, wipe it with a dry cloth.
- Before you take the iron away for storage, make sure that there is no water in the water tank (10) and that the iron soleplate (14) is dry.

CLEANING AND CARE

- Before cleaning the iron, make sure that it is unplugged and has cooled down completely.
- Wipe the iron body with a slightly damp cloth and then wipe it dry.
- Scale on the iron soleplate can be removed with a cloth soaked in the vinegar-water solution.
- After removing scale, polish the iron soleplate surface with a dry cloth.
- Do not use abrasives to clean the iron soleplate and body.
- Avoid contact of the iron soleplate with sharp metal objects.

STORAGE

- Set the temperature control knob (11) to the position «OFF», and the continuous steam supply knob (3) to the lower position – continuous steam supply is off. Remove the power plug from the mains socket.
- Open the water inlet lid (2), turn over the iron and drain any remaining water from the water tank (10).
- Close the water inlet lid (2).
- Put the iron vertically and let it cool down completely.
- Store the iron vertically in a dry cool place out of reach of children.

TECHNICAL SPECIFICATIONS

Power supply: 220-240 V ~ 50 Hz

Power consumption: 2400 W

The manufacturer reserves the right to modify the unit design and specifications without prior notice.

Unit operating life is 3 years

Guarantee

Details regarding guarantee conditions can be obtained from the dealer from whom the appliance was purchased. The bill of sale or receipt must be produced when making any claim under the terms of this guarantee.



This product conforms to the EMC-Requirements as laid down by the Council Directive 2004/108/EC and to the Low Voltage Regulation (2006/95/EC)

DEUTSCH

ACHTUNG!

- Es ist nicht gestattet, das Bügeleisen bei seinem Sturz, sichtbaren Beschädigungen oder beim Wasserauslauf zu benutzen.
- Stellen Sie das Bügeleisen auf eine ebene standfeste Oberfläche auf oder benutzen Sie ein standsicheres Bügelbrett.
- Es ist nicht gestattet, das Gerät mit beschädigtem Netzkabel, Netzstecker oder bei anderen Störungen zu nutzen.
- Ziehen Sie den Netzstecker aus der Steckdose beim Auffüllen des Behälters mit Wasser unbedingt heraus.
- Der Deckel der Einfüllöffnung soll beim Bügeln geschlossen sein.
- Achtung! Die Oberflächen des Bügeleisens erhitzen sich während des Betriebs. Um Verbrennungen zu vermeiden, berühren Sie die heißen Oberflächen des Bügeleisens nicht und halten Sie offene Körperteile über dem austretenden Dampf nicht.
- Gießen Sie Wasser aus dem Behälter erst nach dem Abtrennen des Bügeleisens vom Stromnetz ab.
- Lassen Sie das ans Stromnetz angeschlossene Bügeleisen nie unbeaufsichtigt.
- Dieses Gerät ist nicht für den Gebrauch von Kindern unter 8 Jahren geeignet. Während des Betriebs und des Abkühlens stellen Sie das Gerät an einen für Kinder unter 8 Jahren unzugänglichen Ort auf.
- Dieses Gerät ist nicht für Personen (darunter auch Kinder über 8 Jahren) mit Körper-, Nerven- und Geistesstörungen oder ohne ausreichende Erfahrung oder Kenntnisse geeignet. Dieses Gerät darf von solchen Personen nur dann genutzt werden, wenn sie sich unter Aufsicht der Person befinden, die für ihre Sicherheit verantwortlich ist, und wenn ihnen entsprechende und verständliche Anweisungen über sichere Nutzung des Geräts und die Gefahren bei seiner falschen Nutzung gegeben wurden.
- Es können Wasserreste im Behälter vorhanden sein – es ist normal, weil das Bügeleisen durch betriebliche Qualitätskontrolle geprüft wurde.

BÜGELEISEN VT-1266 B

Das Bügeleisen ist zum Bügeln von Kleidung, Bettwäsche und zum senkrechten Dampfen von Stoffen bestimmt.

BESCHREIBUNG

1. Wassersprüher
2. Deckel der Einfüllöffnung
3. Dampfgregler
4. Dampfstoßtaste
5. Sprühtaste
6. Handgriff
7. Netzkabelschutz
8. Betriebskontrolleuchte des Heizelements
9. Bügeleisenfußplatte
10. Wasserbehälter
11. Temperaturregler
12. Selbstreinigungstaste
13. Maximale Wasserstandsmarke
14. Bügeleisensohle

ACHTUNG!

Als zusätzlicher Schutz ist es zweckmäßig, den FI-Schalter mit Nennstrom maximal bis 30 mA im Stromversorgungskreis aufzustellen; wenden Sie sich dafür an einen Spezialisten.

SICHERHEITSMABNAHMEN

Vor der ersten Nutzung des Elektrogeräts lesen Sie diese Bedienungsanleitung aufmerksam durch und bewahren Sie diese für weitere Referenz auf.

Benutzen Sie das Gerät nur bestimmungsmäßig und laut dieser Bedienungsanleitung. Nicht ordnungsgemäße Nutzung des Geräts kann zu seiner Störung führen und einen gesundheitlichen oder materiellen Schaden beim Nutzer hervorrufen.

- Vor dem Einschalten des Geräts vergewissern Sie sich, dass die Spannung des Geräts mit der Netzspannung übereinstimmt.
- Das Netzkabel ist mit einem „Eurostecker“ ausgestattet; stecken Sie diesen in die Steckdose mit sicherer Erdung ein.
- Verwenden Sie keine Adapterstecker beim Anschließen des Geräts ans Stromnetz, um Brandrisiko zu vermeiden.
- Es ist nicht gestattet, mehrere Geräte mit hoher Aufnahmeleistung gleichzeitig einzuschalten, um Überlastung des Stromnetzes zu vermeiden.
- Es ist nicht gestattet, das Bügeleisen draußen und in den Räumen mit erhöhter Feuchtigkeit zu benutzen.

- Stellen Sie das Bügeleisen auf eine ebene standfeste Oberfläche auf oder benutzen Sie ein standsicheres Bügelbrett.

ACHTUNG! Die Oberflächen des Bügeleisens erhitzen sich während des Betriebs. Vermeiden Sie die Berührung der Haut mit heißen Oberflächen des Bügeleisens oder austretendem Dampf, um Verbrennungen zu vermeiden.

- Es ist nicht gestattet, Aromafüssigkeiten, Essig, Stärkelösung, Entkalkungsmittel, Chemikalien usw. in den Wasserbehälter einzugießen.
- Schalten Sie das Gerät an den Orten, wo Sprays oder leichtentzündbare Flüssigkeiten verwendet werden, nicht ein.
- Achten Sie darauf, dass das Netzkabel auf dem Bügelbrett nicht liegt, sowie heiße Oberflächen und scharfe Kanten nicht berührt.
- Lassen Sie das ans Stromnetz angeschlossene Gerät nie unbeaufsichtigt. Während der Betriebspausen stellen Sie das Bügeleisen auf die Fußplatte (in die senkrechte Position) auf.
- Vor dem Abtrennen/Anschließen des Bügeleisens vom/ans Stromnetz stellen Sie den Temperaturregler in die minimale Position und schalten Sie die konstante Dampfzufuhr aus.
- Trennen Sie das Bügeleisen vom Stromnetz unbedingt ab, wenn Sie es nicht benutzen.
- Ziehen Sie den Netzstecker aus der Steckdose beim Auffüllen des Behälters mit Wasser unbedingt heraus.
- Der Deckel der Einfüllöffnung soll beim Bügeln geschlossen sein.
- Es ist nicht gestattet, beim Abtrennen des Bügeleisens vom Stromnetz das Netzkabel zu ziehen. Halten Sie den Stecker.
- Tauchen Sie das Bügeleisen, das Netzkabel und den Netzstecker ins Wasser oder jegliche andere Flüssigkeiten nicht ein, um Stromschlag zu vermeiden.
- Bevor das Bügeleisen zur Aufbewahrung wegzunehmen, lassen Sie es völlig abkühlen und gießen Sie Restwasser ab.
- Gießen Sie Wasser aus dem Behälter erst nach dem Abtrennen des Bügeleisens vom Stromnetz ab.
- **Reinigen Sie das Gerät regelmäßig.**
- **Berühren Sie das Gerätegehäuse und den Netzstecker mit nassen Händen nicht.**
- Lassen Sie Kinder das Gehäuse des Bügeleisens und das Netzkabel während des Betriebs nicht berühren.

DEUTSCH

- Beaufsichtigen Sie Kinder, damit sie das Gerät als Spielzeug nicht benutzen.
- Aus Kindersicherheitsgründen lassen Sie Plastiktüten, die als Verpackung verwendet werden, nie ohne Aufsicht.

ACHTUNG! Lassen Sie Kinder mit Plastiktüten oder Verpackungsfolien nicht spielen.
Erstickungsgefahr!

- Es ist nicht gestattet, das Gerät zu benutzen, wenn der Netzstecker oder das Netzkabel beschädigt sind, wenn das Bügeleisen nicht richtig funktioniert, heruntergefallen ist oder beim Wasserleck.
- Es ist nicht gestattet, das Gerät selbständig zu reparieren. Es ist nicht gestattet, das Gerät selbständig auseinanderzunehmen, bei der Feststellung jeglicher Beschädigungen oder im Sturzfall trennen Sie das Gerät von der Steckdose ab und wenden Sie sich an einen autorisierten (bevollmächtigten) Kundendienst unter den Kontaktadressen, die im Garantieschein und auf der Website www.vitek.ru angegeben sind.
- Transportieren Sie das Gerät nur in der Fabrikverpackung.
- Bewahren Sie das Gerät an einem für Kinder und behinderte Personen unzugänglichen Ort auf.
- Dieses Gerät ist nicht für Gebrauch von Kindern geeignet. Während des Betriebs und des Abkühlens stellen Sie das Gerät an einen für Kinder unzugänglichen Ort auf.
- Das Gerät ist für körper- oder geistesbehinderte Personen (darunter Kinder) oder Personen ohne ausreichende Erfahrung und Kenntnisse nicht geeignet, wenn sie sich unter Aufsicht der Person, die für ihre Sicherheit verantwortlich ist, nicht befinden oder entsprechende Anweisungen über die Nutzung des Geräts nicht bekommen haben.

DAS GERÄT IST NUR FÜR DEN GEBRAUCH IM HAUSHALT GEEIGNET

VOR DER ERSTEN NUTZUNG

Falls das Gerät unter niedrigen Temperaturen transportiert oder aufbewahrt wurde, lassen Sie es bei der Raumlufttemperatur nicht weniger als drei Stunden bleiben.

- Nehmen Sie das Bügeleisen aus der Verpackung heraus und entfernen Sie das Schutzmaterial (falls vorhanden) von der Sohle (14) des Bügeleisens.

- Prüfen Sie die Ganzheit des Geräts, wenn Störungen auftreten, benutzen Sie das Bügeleisen nicht.
- Vor dem Einschalten vergewissern Sie sich, dass die Netzspannung und die Betriebsspannung des Bügeleisens übereinstimmen.
- Es können Wasserreste im Behälter vorhanden sein – es ist normal, weil das Bügeleisen durch betriebliche Qualitätskontrolle geprüft wurde.

Anmerkung: Das Heizelement verbrennt beim ersten Einschalten des Bügeleisens, das kann zur Entstehung vom Fremdgeruch und einer kleinen Menge Rauch führen, es ist normal.

WAHL DES WASSERS

Zum Auffüllen des Behälters (10) können Sie Leitungswasser benutzen. Falls das Leitungswasser hart ist, benutzen Sie destilliertes oder demineralisiertes Wasser, das verlängert die Betriebsdauer des Bügeleisens.

Anmerkung: Es ist nicht gestattet, Aromaflüssigkeiten, Essig, Stärkelösung, Entkalkungsmittel, chemische Lösungen usw. in den Wasserbehälter (10) einzugießen.

AUFFÜLLEN DES WASSERBEHÄLTERS

Vergewissern Sie sich vor dem Auffüllen des Bügeleisens mit Wasser, dass es vom Stromnetz abgetrennt ist.

- Stellen Sie den Temperaturregler (11) in die Position «OFF» (AUSGESCHALTET) und den Dampfregler (3) in die untere Position (Dampfzufuhr ausgeschaltet) um.
- Öffnen Sie den Deckel der Einfüllöffnung (2).
- Gießen Sie Wasser in den Wasserbehälter (10) ein, danach schließen Sie den Deckel (2) dicht zu.

Anmerkungen:


- Es ist nicht gestattet, das Gerät mit Wasser über die „MAX“-Marke (13) zu füllen.
- Wenn Sie Wasser während des Bügelns nachgießen müssen, schalten Sie das Bügeleisen aus und ziehen Sie den Netzstecker aus der Steckdose heraus.
- Schalten Sie das Bügeleisen nach dem Bügeln aus, lassen Sie es völlig abkühlen, danach öffnen Sie den Deckel der Einfüllöffnung (2), kippen Sie das Bügeleisen um und gießen Sie das Restwasser ab.

BÜGELTEMPERATUR

Vor der ersten Nutzung prüfen Sie das aufgeheizte Bügeleisen an einem Tuch, um sich zu ver-

gewissern, dass die Bügeleisensohle (14) und der Wasserbehälter (10) sauber sind.

- Vor dem Bügeln beachten Sie immer das Etikett der Kleidung, woran die empfohlene Bügeltemperatur angegeben ist.
- Wenn das Etikett mit den Hinweisen zum Bügeln fehlt, Sie aber den Stofftyp kennen, so benutzen Sie die folgende Tabelle zur Wahl der Bügeltemperatur.

Bezeichnungen	Stofftyp (Temperatur)
	nicht bügeln
•	Synthesefaser, Nylon, Acryl, Polyester (niedrige Temperatur)
••	Seide/Wolle (mittlere Temperatur)
•••	Baumwolle/Leinen (hohe Temperatur)

- Die Tabelle ist nur fürs Bügeln von glatten Stoffen verwendbar. Andere Stofftype (gaufriert, geriffelt usw.) sollen am besten bei niedrigerer Temperatur gebügelt werden.
- Zuerst sortieren Sie die Kleidungsstücke entsprechend der Bügeltemperatur aus: Synthefaser zur Synthefaser, Wolle zur Wolle, Baumwolle zur Baumwolle usw.
- Das Bügeleisen wird schneller aufgeheizt als abgekühlt. Aus diesem Grund ist es empfohlen, die Kleidung, die niedrige Bügeltemperatur erfordert (z. B. synthetische Stoffe), zuerst zu bügeln. Danach können Sie zum Bügeln bei höheren Temperaturen übergehen (Seide, Wolle). Kleidungsstücke aus Baumwolle und Leinen sollen zuletzt gebügelt werden.
- Wenn das Kleidungsstück aus Mischfasern besteht, soll die Temperatur auf die niedrigste Stufe eingestellt werden (z.B. wenn das Kleidungsstück aus 60% Polyester und 40% Baumwolle besteht, so soll es bei der Temperatur gebügelt werden, die für Polyester geeignet ist «•»).
- Wenn Sie den Stofftyp nicht feststellen können, finden Sie am Kleidungsstück eine beim Tragen unbemerkbare Stelle und wählen Sie die Bügeltemperatur versuchsweise aus (fangen Sie immer mit der niedrigsten Bügeltemperatur an und erhöhen Sie diese allmählich, bis das gewünschte Ergebnis erreicht wird).

- Kordsamte und andere Stoffe, die sehr schnell zu glänzen beginnen, sollen unter leichtem Druck streng in einer Richtung (mit dem Strich) gebügelt werden.
- Um die Entstehung von Glanzflecken auf den synthetischen und seidenen Stoffen zu vermeiden, bügeln Sie diese von der Innenseite.

EINSTELLEN DER BÜGELTEMPERATUR

- Stellen Sie das Bügeleisen auf die Fußplatte (9) auf.
- Stecken Sie den Netzstecker in die Steckdose ein.
- Stellen Sie die erforderliche Bügeltemperatur mit dem Regler (11) ein: «•», «••», «•••» oder «MAX» (abhängig vom Stofftyp) dabei leuchtet die Betriebskontrolleuchte (8).
- Wenn die Temperatur der Bügeleisensohle (14) das vorgewählte Niveau erreicht und die Betriebskontrolleuchte (8) erlischt, können Sie zum Bügeln übergehen.

Anmerkung:

- *Wenn Sie bei der hohen Temperatur bügeln, und dabei sich eine Notwendigkeit ergibt, zur niedrigen Temperatur zu übergehen, dann ist es empfohlen, bis zur Verringerung der Temperatur der Bügeleisensohle zu warten und erst dann zu bügeln beginnen, wenn die Betriebskontrolleuchte (8) leuchtet. Beim Dampfbügeln stellen Sie die Bügeltemperatur «•••» oder "MAX" ein.*

WASSERSPRÜHER

- Sie können den Stoff anfeuchten, indem Sie die Sprühtaste (5) mehrmals drücken.
- Vergewissern Sie sich, dass es genug Wasser im Wasserbehälter (10) gibt.

TROCKENBÜGELN

- Stellen Sie das Bügeleisen auf die Fußplatte (9) auf.
- Stecken Sie den Netzstecker in die Steckdose ein.
- Stellen Sie den Dampfregler (3) in die niedrige Position (Dampfzufuhr ausgeschaltet) um.
- Stellen Sie die erforderliche Bügeltemperatur mit dem Regler (11) ein: «•», «••», «•••» oder «MAX» (abhängig vom Stofftyp) dabei leuchtet die Betriebskontrolleuchte (8).
- Wenn die Bügeleisensohle (14) die eingestellte Temperatur erreicht und die Betriebskontrolleuchte (8) erlischt, können Sie zum Bügeln übergehen.

DEUTSCH

- Nach der Nutzung des Bügeleisens stellen Sie den Temperaturregler (11) in die Position «OFF».
- Ziehen Sie den Netzstecker aus der Steckdose heraus und warten Sie ab, bis das Bügeleisen vollständig abkühlt.

DAMPFBÜGELN

Beim Dampfbügeln stellen Sie die Bügeltemperatur «••••» oder «MAX» ein. Das Bügeleisen ist mit einem Tropfschutzventil ausgestattet, das die Wasserzufuhr bei einer zu niedrigen Sohlentemperatur unterbricht. Das verhindert das Tropfen aus den Öffnungen der Bügeleisensohle (14). Beim Erhitzen und Abkühlen der Bügeleisensohle ertönen typische Knacke der Öffnung/des Schließens des Tropfschutzventils, was auf seinen normalen Betrieb deutet.

- Stellen Sie das Bügeleisen auf die Fußplatte (9) auf.
- Stellen Sie den Dampfgregler (3) in die niedrige Position (Dampfzufuhr ausgeschaltet) um.
- Stecken Sie den Netzstecker in die Steckdose ein.
- Vergewissern Sie sich, dass es genug Wasser im Wasserbehälter (10) gibt.
- Stellen Sie die erforderliche Bügeltemperatur mit dem Regler (11) ein: «••••» oder «MAX», dabei leuchtet die Betriebskontrolleuchte (8).
- Wenn die Temperatur der Bügeleisensohle (14) das vorgewählte Niveau erreicht und die Betriebskontrolleuchte (8) erlischt, können Sie zum Bügeln übergehen.
- Stellen Sie die gewünschte Intensität der Dampfzufuhr mit dem Dampfgregler (3) ein, dabei beginnt der Dampf aus den Öffnungen der Sohle (14) auszutreten.
- Der Dampfgregler (3) hat drei Positionen: niedrige Position – Dampfzufuhr ausgeschaltet, mittlere und obere Position – mit verschiedener Intensität der Dampfzufuhr. Für die maximale Dampfzufuhr stellen Sie den Dampfgregler (3) in die obere Position ein.
- Nach der Nutzung des Bügeleisens stellen Sie den Temperaturregler (11) in die Position «OFF» und den Dampfgregler (3) in die niedrige Position (Dampfzufuhr ausgeschaltet) ein.
- Ziehen Sie den Netzstecker aus der Steckdose heraus und warten Sie ab, bis das Bügeleisen vollständig abkühlt.

ACHTUNG!

Wenn keine konstante Dampfzufuhr während des Gerätebetriebs erfolgt, prüfen Sie, ob der

Temperaturregler (11) und der Dampfgregler (3) richtig eingestellt sind und ob es Wasser im Wasserbehälter (10) gibt.

ZUSÄTZLICHER DAMPFSTOB

Die Funktion des zusätzlichen Dampfstoßes ist fürs Falten glätten nützlich und kann nur bei der hohen Bügeltemperatur verwendet werden (dabei ist der Temperaturregler (11) in der Position «••••» oder «MAX»).

- Beim Drücken der Dampfstoßtaste (4) tritt der Dampf aus der Sohle intensiver aus.

Anmerkung: *Um das Auslaufen des Wassers aus den Dampföffnungen zu vermeiden, drücken Sie die Dampfstoßtaste (4) mit dem Intervall von 4-5 Sekunden.*

SENKRECHTES DAMPFEN

Vertikaldampf kann nur bei hoher Bügeltemperatur verwendet werden (in diesem Fall ist der Temperaturregler (11) in der Position «••••» oder «MAX»).

Halten Sie das Bügeleisen senkrecht 10-30 cm von der Kleidung entfernt und drücken Sie die Dampfstoßtaste (4) mit dem Intervall von 4-5 Sekunden, der Dampf wird aus den Öffnungen der Bügeleisensohle (14) intensiv austreten.

Wichtige Information: *Es ist nicht empfohlen, senkrecht Dampf für synthetische Stoffe zu verwenden.*

- Es ist nicht gestattet, den Stoff beim Dampfen mit der Bügeleisensohle zu berühren, um dessen Aufschmelzung zu vermeiden.
- Es ist nicht gestattet, die an einem Menschen angezogene Kleidung abzdämpfen, weil die Temperatur des austretenden Dampfes sehr hoch ist; benutzen Sie einen Kleider- oder Aufhängebügel.
- Schalten Sie das Bügeleisen nach dem Bügeln aus, lassen Sie es völlig abkühlen, danach öffnen Sie den Deckel der Einfüllöffnung (2), kippen Sie das Bügeleisen um und gießen Sie das Restwasser aus.

REINIGUNG DER DAMPFKAMMER

Für die Verlängerung der Nutzungsdauer des Bügeleisens ist es empfohlen, Reinigung der Dampfkammer regelmäßig durchzuführen.

- Stellen Sie den Dampfgregler (3) in die niedrige Position (Dampfzufuhr ausgeschaltet) um.
- Füllen Sie den Behälter (10) mit Wasser zur Hälfte an.

- Stellen Sie das Bügeleisen auf die Fußplatte (9) auf.
 - Stecken Sie den Netzstecker in die Steckdose ein.
 - Stellen Sie die maximale Sohlentemperatur «MAX» mit dem Regler (11), dabei leuchtet die Betriebskontrolleuchte (8) auf.
 - Wenn die Bügeleisensohle (14) die eingestellte Temperatur erreicht und die Betriebskontrolleuchte (8) erlischt, können Sie zur Reinigung der Dampfkammer übergehen.
 - Schalten Sie das Bügeleisen aus, indem Sie den Temperaturregler (11) in die Position «OFF» einstellen. Ziehen Sie den Netzstecker aus der Steckdose heraus.
 - Halten Sie das Bügeleisen über dem Waschbecken horizontal, drücken und halten Sie die Selbstreinigungstaste (12).
 - Kochendes Wasser und Dampf werden zusammen mit dem Kalk aus den Öffnungen der Sohle (14) austreten.
 - Schaukeln Sie das Bügeleisen etwas hin und her, bis das Wasser aus dem Wasserbehälter (10) völlig entfernt wird.
 - Stellen Sie das Bügeleisen auf die Fußplatte (9) und lassen Sie es vollständig abkühlen.
 - Nachdem die Bügeleisensohle (14) vollständig abgekühlt ist, wischen Sie diese mit einem trockenen Tuch ab.
 - Bevor Sie das Bügeleisen zur Aufbewahrung wegnehmen, vergewissern Sie sich, dass kein Wasser im Wasserbehälter (10) übrig geblieben ist und die Bügeleisensohle (14) trocken ist.
- Es ist nicht gestattet, Abrasivmittel für die Reinigung der Sohle und des Gehäuses des Bügeleisens zu benutzen.
 - Vermeiden Sie den Kontakt der Bügeleisensohle mit scharfen Metallgegenständen.

AUFBEWAHRUNG

- Stellen Sie den Temperaturregler (11) in die Position «OFF» ein, stellen Sie den Dampfreger (3) in die niedrige Position (Dampfzufuhr ausgeschaltet) um. Ziehen Sie den Netzstecker aus der Steckdose heraus.
- Öffnen Sie den Deckel der Einfüllöffnung (2), kippen Sie das Bügeleisen um und gießen Sie das Restwasser aus dem Wasserbehälter (10) aus.
- Schließen Sie den Deckel der Einfüllöffnung (2).
- Stellen Sie das Bügeleisen senkrecht auf und lassen Sie es vollständig abkühlen.
- Bewahren Sie das Bügeleisen senkrecht an einem trockenen, kühlen und für Kinder unzugänglichen Ort auf.

TECHNISCHE EIGENSCHAFTEN

Stromversorgung: 220-240 V ~ 50 Hz
Leistungsaufnahme: 2400 W

Der Hersteller behält sich das Recht vor, Design und technische Eigenschaften des Geräts ohne Vorbenachrichtigung zu verändern

Nutzungsdauer des Geräts beträgt 3 Jahre

Gewährleistung

Ausführliche Bedingungen der Gewährleistung kann man beim Dealer, der diese Geräte verkauft hat, bekommen. Bei beliebiger Anspruchserhebung soll man während der Laufzeit der vorliegenden Gewährleistung den Check oder die Quittung über den Ankauf vorzulegen.

CE *Das vorliegende Produkt entspricht den Forderungen der elektromagnetischen Verträglichkeit, die in 2004/108/EC – Richtlinie des Rates und den Vorschriften 2006/95/EC über die Niederspannungsgeräte vorgesehen sind.*

PFLEGE UND REINIGUNG

- Vergewissern Sie sich vor der Reinigung des Bügeleisens, dass es vom Stromnetz abgetrennt und schon abgekühlt ist.
- Wischen Sie das Gehäuse des Bügeleisens mit einem leicht angefeuchteten Tuch, danach trocknen Sie es ab.
- Kalkablagerung an der Bügeleisensohle können Sie mit einem Stoff entfernen, der mit Wasser-Essig-Lösung angefeuchtet ist.
- Nach der Entfernung der Kalkablagerungen polieren Sie die Bügeleisensohle mit einem trockenen Tuch.

ВНИМАНИЕ!

- Не пользуйтесь утюгом после его падения, при наличии видимых повреждений или в случае протекания.
- Ставьте утюг на ровную, устойчивую поверхность или пользуйтесь устойчивой гладильной доской.
- Не используйте утюг при наличии повреждений сетевой вилки, сетевого шнура или любых других неисправностей.
- При наполнении резервуара водой обязательно вынимайте вилку сетевого шнура из электрической розетки.
- Крышка заливочного отверстия должна быть закрыта во время глажения.
- Внимание! Поверхности утюга нагреваются во время работы. Во избежание ожогов не прикасайтесь к горячим поверхностям утюга и не располагайте открытые участки тела над выходящим паром.
- Сливайте воду из резервуара только после отключения утюга от электрической сети.
- Не оставляйте подключённый к электросети утюг без присмотра.
- Данное устройство не предназначено для использования детьми младше 8 лет. Во время работы и остывания размещайте устройство в местах, недоступных для детей младше 8 лет.
- Данное устройство не предназначено для использования людьми (включая детей старше 8 лет) с физическими, нервными, психическими нарушениями или без достаточного опыта и знаний. Использование устройства такими лицами допускается лишь в том случае, если они находятся под присмотром лица, отвечающего за их безопасность, при условии, что им были даны соответствующие и понятные инструкции о безопасном пользовании устройством и тех опасностях, которые могут возникать при его неправильном использовании.
- В резервуаре могут находиться остатки воды – это нормальное явление, так как на производстве утюг проходил контроль качества.

УТЮГ VT-1266 B

Утюг предназначен для глажения одежды, постельного белья и вертикального отпаривания тканей.

ОПИСАНИЕ

1. Разбрызгиватель воды
2. Крышка заливочного отверстия
3. Регулятор постоянной подачи пара
4. Кнопка дополнительной подачи пара
5. Кнопка разбрызгивателя воды
6. Ручка
7. Защита сетевого шнура
8. Индикатор включения/выключения нагревательного элемента
9. Основание утюга
10. Резервуар для воды
11. Регулятор температуры
12. Кнопка самоочистки
13. Указатель максимального уровня воды
14. Подошва утюга

ВНИМАНИЕ!

Для дополнительной защиты в цепи питания целесообразно установить устройство защитного отключения (УЗО) с номинальным током срабатывания, не превышающим 30 мА, для установки УЗО обратитесь к специалисту.

МЕРЫ БЕЗОПАСНОСТИ

Перед началом эксплуатации электроприбора внимательно прочитайте настоящее руководство по эксплуатации и сохраните его для использования в качестве справочного материала.

Используйте устройство только по его прямому назначению, как изложено в данном руководстве. Неправильное обращение с устройством может привести к его поломке, причинению вреда пользователю или его имуществу.

- Перед включением убедитесь, что напряжение в электрической сети соответствует рабочему напряжению утюга.
- Сетевой шнур снабжён «евровилкой»; включайте её в электрическую розетку, имеющую надёжный контакт заземления.
- Во избежание риска возникновения пожара не используйте переходники при подключении прибора к электрической розетке.
- Во избежание перегрузки электрической сети не включайте одновременно несколько устройств с большой потребляемой мощностью.

- Не пользуйтесь утюгом вне помещений, а также в помещениях с повышенной влажностью.
- Ставьте утюг на ровную устойчивую поверхность или пользуйтесь устойчивой гладильной доской.

ВНИМАНИЕ! Поверхности утюга нагреваются во время работы. Избегайте контакта открытых участков кожи с горячими поверхностями утюга или выходящим паром, чтобы избежать ожогов.

- Запрещается заливать в резервуар для воды ароматизирующие жидкости, уксус, раствор крахмала, реагенты для удаления накипи, химические вещества и т.п.
- Не включайте устройство в местах, где распыляются аэрозоли или используются легко воспламеняющиеся жидкости.
- Следите, чтобы сетевой шнур не находился на гладильной доске и не касался горячих поверхностей и острых кромок.
- Не оставляйте включённое в сеть устройство без присмотра. Во время перерывов в работе устанавливайте утюг на основание (в вертикальное положение).
- Перед отключением/подключением утюга к электрической сети установите регулятор температуры в минимальное положение и отключите постоянную подачу пара.
- Обязательно отключайте утюг от электрической сети, если вы им не пользуетесь.
- При наполнении резервуара водой обязательно вынимайте вилку сетевого шнура из электрической розетки.
- Крышка заливочного отверстия должна быть закрыта во время глажения.
- При отключении утюга от электрической сети обязательно держитесь за сетевую вилку, никогда не тяните за сетевой шнур.
- Чтобы избежать поражения электрическим током, не погружайте утюг, сетевой шнур и вилку сетевого шнура в воду или в любые другие жидкости.
- Прежде чем убрать утюг, дайте ему полностью остыть и слейте остатки воды.
- Сливайте воду из резервуара только после отключения утюга от электрической сети.
- **Регулярно проводите чистку устройства.**
- **Не прикасайтесь к корпусу устройства и к вилке сетевого шнура мокрыми руками.**
- Не разрешайте детям прикасаться к корпусу утюга и к сетевому шнуру во время работы устройства.

РУССКИЙ

- Осуществляйте надзор за детьми, чтобы не допустить использования устройства в качестве игрушки.
- Из соображений безопасности детей не оставляйте полиэтиленовые пакеты, используемые в качестве упаковки, без присмотра.

ВНИМАНИЕ! Не разрешайте детям играть с полиэтиленовыми пакетами или упаковочной плёнкой. **Опасность удушья!**

- Запрещается использовать устройство при наличии повреждений сетевой вилки или сетевого шнура, если утюг работает с перебоями, а также после падения устройства или в случае протекания.
- Запрещается самостоятельно ремонтировать прибор. Не разбирайте прибор самостоятельно, при возникновении любых неисправностей, а также после падения устройства выключите прибор из электрической розетки и обратитесь в любой авторизованный (уполномоченный) сервисный центр по контактным адресам, указанным в гарантийном талоне и на сайте www.vitek.ru.
- Перевозите устройство только в заводской упаковке.
- Храните устройство в местах, недоступных для детей и людей с ограниченными возможностями.
- Данное устройство не предназначено для использования детьми. Во время работы и остывания размещайте устройство в местах, недоступных для детей.
- Прибор не предназначен для использования лицами (включая детей) с пониженными физическими, психическими или умственными способностями или при отсутствии у них опыта или знаний, если они не находятся под контролем или не проинструктированы об использовании прибора лицом, ответственным за их безопасность.

УСТРОЙСТВО ПРЕДНАЗНАЧЕНО ТОЛЬКО ДЛЯ БЫТОВОГО ИСПОЛЬЗОВАНИЯ

ПЕРЕД ПЕРВЫМ ИСПОЛЬЗОВАНИЕМ

После транспортировки или хранения устройства при пониженной температуре необходимо выдержать его при комнатной температуре не менее трёх часов.

- Извлеките утюг из упаковки, при наличии защиты на подошве (14) утюга удалите защиту.

- Проверьте целостность устройства, при наличии повреждений не пользуйтесь утюгом.
- Перед включением убедитесь в том, что напряжение в электрической сети соответствует рабочему напряжению утюга.
- В резервуаре могут находиться остатки воды – это нормальное явление, так как на производстве утюг проходил контроль качества.

Примечание: При первом включении нагревательный элемент утюга обгорает, поэтому возможно появление постороннего запаха и небольшого количества дыма, это нормальное явление.

ВЫБОР ВОДЫ

Для наполнения резервуара (10) вы можете использовать водопроводную воду. Если водопроводная вода жёсткая, используйте дистиллированную или деминерализированную воду, это продлит срок службы утюга.

Примечание: Запрещается заливать в резервуар для воды (10) ароматизирующие жидкости, уксус, раствор крахмала, реагенты для удаления накипи, химические вещества и т.п.

НАПОЛНЕНИЕ РЕЗЕРВУАРА ДЛЯ ВОДЫ

Прежде чем залить воду в утюг, убедитесь, что он отключён от электрической сети.

- Установите регулятор температуры (11) в положение «OFF» (ВЫКЛЮЧЕНО), а регулятор постоянной подачи пара (3) переведите в нижнее положение – подача пара выключена.
- Откройте крышку заливочного отверстия (2).
- Залейте воду в резервуар для воды (10), затем плотно закройте крышку (2).

Примечания:

- Не наливайте воду выше отметки «MAX» (13).
- Если во время глажения необходимо долить воду, то отключите утюг и извлеките сетевую вилку из электрической розетки.
- После того как вы закончите гладить, выключите утюг, дождитесь его полного остывания, затем откройте крышку заливочного отверстия (2), переверните утюг и слейте остатки воды.

ТЕМПЕРАТУРА ГЛАЖЕНИЯ

Перед началом эксплуатации протестируйте нагретый утюг на кусочке ткани, чтобы убедиться в том, что подошва утюга (14) и резервуар для воды (10) – чистые.

- Всякий раз перед глажением вещей смотрите на ярлык изделия, где указана рекомендуемая температура глажения.
- Если ярлык с указаниями по глажению отсутствует, но вы знаете тип материала, то для выбора температуры глажения воспользуйтесь таблицей.

Обозначения	Тип ткани (температура)
	не гладить
•	синтетика, нейлон, акрил, полиэстер (низкая температура)
••	шёлк/шерсть (средняя температура)
•••	хлопок/лён (высокая температура)

- Таблица применима только для гладких материалов. Если материал другого типа (гофрированный, рельефный и т.д.), то лучше всего его гладить при низкой температуре.
- Сначала отсортируйте вещи по температуре глажения: синтетику – к синтетике, шерсть – к шерсти, хлопок – к хлопку и т.д.
- Утюг нагревается быстрее, чем остывает. Поэтому сначала рекомендуется гладить вещи, которые требуют низкой температуры (например, синтетические ткани). После этого можно приступить к глажению при более высоких температурах (шёлк, шерсть). Изделия из хлопка и льна следует гладить в последнюю очередь.
- Если в состав ткани входят смесовые волокна, то необходимо установить температуру глажения самую низкую (например, если изделие состоит на 60% из полиэстера и на 40% из хлопка, то его следует гладить при температуре, подходящей для полиэстера «••»).
- Если вы не можете определить состав ткани, то найдите на изделии место, которое не бросается в глаза при носке, и опытным путём выберите температуру глажения (всегда начинайте с самой низкой температуры и постепенно повышайте её, пока не добьётесь желаемого результата).
- Вельветовые и другие ткани, которые быстро начинают лосниться, следует гладить строго в одном направлении (в направлении ворса) с небольшим нажимом.

- Чтобы избежать появления лоснящихся пятен на синтетических и шёлковых тканях, их следует гладить с изнаночной стороны.

УСТАНОВКА ТЕМПЕРАТУРЫ ГЛАЖЕНИЯ

- Поставьте утюг на основание (9).
- Вставьте вилку сетевого шнура в электрическую розетку.
- Поворотом регулятора (11) установите требуемую температуру глажения: «•», «••», «•••» или «MAX» (в зависимости от типа ткани), при этом загорится индикатор (8).
- Когда подошва утюга (14) нагреется до установленной температуры, индикатор (8) погаснет, можно приступить к глажению.

Примечание:

- Если вы гладили при высокой температуре, и возникла необходимость перейти на низкую температуру, то рекомендуется дождаться понижения температуры подошвы и начинать гладить только после того, как загорится индикатор (8). При паровом глажении надо устанавливать температуру глажения «•••» или «MAX».

РАЗБРЫЗГИВАТЕЛЬ ВОДЫ

- Вы можете увлажнить ткань, нажав несколько раз на кнопку разбрызгивателя (5).
- Убедитесь, что в резервуаре (10) достаточно воды.

СУХОЕ ГЛАЖЕНИЕ

- Поставьте утюг на основание (9).
- Вставьте вилку сетевого шнура в электрическую розетку.
- Регулятор постоянной подачи пара (3) переведите в нижнее положение (подача пара выключена).
- Поворотом регулятора (11) установите требуемую температуру глажения: «•», «••», «•••» или «MAX» (в зависимости от типа ткани), при этом загорится индикатор (8).
- Когда подошва утюга (14) нагреется до установленной температуры, индикатор (8) погаснет, теперь можно приступить к глажению.
- После использования утюга установите регулятор температуры (11) в положение «OFF».
- Извлеките вилку сетевого шнура из электрической розетки и дождитесь полного остывания утюга.

РУССКИЙ

ПАРОВОЕ ГЛАЖЕНИЕ

При паровом глажении необходимо устанавливать температуру глажения «••••» или «МАХ». Утюг снабжён противокapelным клапаном, который закрывает подачу воды, при слишком низкой температуре подошвы утюга, это предотвращает появление капelь из отверстий подошвы утюга (14). При нагревании и остывании подошвы утюга, вы услышите характерные щелчки открывания/закрывания противокapelного клапана, что свидетельствует о его нормальной работе.

- Поставьте утюг на основание (9).
- Регулятор постоянной подачи пара (3) переведите в нижнее положение – подача пара выключена.
- Вставьте вилку сетевого шнура в электрическую розетку.
- Убедитесь, что в резервуаре (10) достаточно воды.
- Поворотом регулятора (11) установите требуемую температуру глажения: «••••» или «МАХ», при этом загорится индикатор (8).
- Когда подошва утюга (14) нагреется до установленной температуры, индикатор (8) погаснет, можно приступить к глажению.
- Регулятором постоянной подачи пара (3) установите необходимую интенсивность парообразования, пар начнет выходить из отверстий подошвы утюга (14).
- Регулятор постоянной подачи пара (3) имеет три положения: нижнее положение – подача пара выключена, среднее и верхнее положение – с различной интенсивностью парообразования. Для максимальной постоянной подачи пара установите регулятор (3) в верхнее положение.
- После использования утюга установите регулятор температуры (11) в положение «OFF», а регулятор постоянной подачи пара (3) переведите в нижнее положение – подача пара выключена.
- Извлеките вилку сетевого шнура из электрической розетки и дождитесь полного остывания утюга.

ВНИМАНИЕ!

Если во время работы не происходит постоянной подачи пара, проверьте правильность положения регулятора температуры (11), правильность положения регулятора постоянной подачи пара (3) и наличие воды в резервуаре (10).

ДОПОЛНИТЕЛЬНАЯ ПОДАЧА ПАРА

Функция дополнительной подачи пара полезна при разглаживании складок и может быть использована только при высокотемпературном режиме глажения (при этом режиме регулятор температуры (11) находится в положении «••••» или «МАХ»).

- При нажатии кнопки дополнительной подачи пара (4) пар из подошвы утюга будет выходить более интенсивно.

Примечание: Во избежание вытекания воды из паровых отверстий нажимайте кнопку дополнительной подачи пара (4) с интервалом в 4-5 секунд.

ВЕРТИКАЛЬНОЕ ОТПАРИВАНИЕ

Функция вертикального отпаривания может быть использована только при высокотемпературном режиме глажения (в этом случае регулятор температуры (11) находится в положении «••••» или «МАХ»).

Держите утюг вертикально на расстоянии 10-30 см от одежды и нажимайте на кнопку дополнительной подачи пара (4) с интервалом в 4-5 секунд, пар будет интенсивно выходить из отверстий подошвы утюга (14).

Важная информация: Не рекомендуется выполнять вертикальное отпаривание синтетических тканей.

- При отпаривании не прикасайтесь подошвой утюга к материалу, чтобы избежать его оплавления.
- Никогда не отпаривайте одежду, надетую на человека, т.к. температура выходящего пара очень высокая, пользуйтесь плечиками или вешалкой.
- Закончив гладить, выключите утюг, дождитесь его полного остывания, после чего откройте крышку заливочного отверстия (2), переверните утюг и слейте остатки воды.

ОЧИСТКА ПАРОВОЙ КАМЕРЫ

Для увеличения срока службы утюга рекомендуется регулярно выполнять очистку паровой камеры.

- Переведите регулятор постоянной подачи пара (3) в нижнее положение – подача пара выключена.
- Наполните резервуар (10) водой наполовину.
- Поставьте утюг на основание (9).
- Вставьте вилку сетевого шнура в электрическую розетку.

- Поворотом регулятора (11) установите максимальную температуру нагрева подошвы утюга «МАХ», при этом загорится индикатор (8).
- Когда подошва утюга (14) нагреется до установленной температуры, индикатор (8) погаснет, можно проводить очистку паровой камеры.
- Выключите утюг, установив регулятор температуры (11) в положение «OFF». Извлеките вилку сетевого шнура из электрической розетки.
- Расположите утюг горизонтально над раковиной, нажмите и удерживайте кнопку самоочистки (12).
- Кипящая вода и пар вместе с накипью будут выбрасываться из отверстий подошвы утюга (14).
- Слегка покачивайте утюг вперёд-назад, пока вся вода не выйдет из резервуара (10).
- Поставьте утюг на основание (9) и дайте ему полностью остыть.
- Когда подошва утюга (14) полностью остынет, протрите её кусочком сухой ткани.
- Прежде чем убрать утюг на хранение, убедитесь, что в резервуаре (10) нет воды, а подошва утюга (14) – сухая.

УХОД И ЧИСТКА

- Прежде чем чистить утюг, убедитесь, что он отключён от электрической сети и уже остыл.
- Протирайте корпус утюга слегка влажной тканью, после этого вытрите его насухо.
- Отложения на подошве утюга могут быть удалены тканью, смоченной в уксусно-водном растворе.
- После удаления отложений отполируйте поверхность подошвы утюга сухой тканью.
- Не используйте для чистки подошвы и корпуса утюга абразивные чистящие средства.
- Избегайте контакта подошвы утюга с острыми металлическими предметами.

ХРАНЕНИЕ

- Установите регулятор температуры (11) в положение «OFF», переведите регулятор постоянной подачи пара (3) в нижнее положение – подача пара выключена. Извлеките вилку сетевого шнура из электрической розетки.
- Откройте крышку заливочного отверстия (2), переверните утюг и слейте оставшуюся воду из резервуара для воды (10).
- Закройте крышку заливочного отверстия (2).
- Поставьте утюг вертикально и дайте ему полностью остыть.
- Храните утюг в вертикальном положении в сухом прохладном месте, недоступном для детей.

ТЕХНИЧЕСКИЕ ХАРАКТЕРИСТИКИ

Электропитание: 220-240 В ~ 50 Гц
Потребляемая мощность: 2400 Вт

Производитель сохраняет за собой право изменять дизайн и технические характеристики прибора без предварительного уведомления

Срок службы прибора – 3 года



Данное изделие соответствует всем требуемым европейским и российским стандартам безопасности и гигиены.

Изготовитель: АНДЕР ПРОДАКТС ГмБХ, Австрия
Адрес: Нойбаугюртель 38/7А, 1070 Вена, Австрия

Информация для связи – email:
anderproduct@gmail.com

Информация об Импортёре указана на индивидуальной упаковке.
Информация об авторизованных (уполномоченных) сервисных центрах указана в гарантийном талоне и на сайте www.vitek.ru

Единая справочная служба: +7 (495) 921-01-70

Сделано в Китае

ҚАЗАҚША

НАЗАР АУДАРЫҢЫЗ!

- Үтік құлағаннан кейін, көзге көрінетін бүлінулері болған жағдайда немесе суы ағып тұрған кезде оны пайдаланбаңыз.
- Үтікті тегіс, орнықты бетке қойыңыз немесе орнықты үтіктеу тақтасын қолданыңыз.
- Желілік ашаның, желілік шнурдың бүлінулері немесе кез келген басқа ақаулықтар болған кезде үтікті пайдаланбаңыз.
- Сауытты суға толтырған кезде, әрқашан айыретікті ашалықтан ажыратыңыз.
- Суды толтыруға арналған саңылаудың қақпағы үтіктеу уақытында жабық болуы керек.
- Назар аударыңыз! Үтіктің беті жұмыс кезінде қызады. Күйіп қалмас үшін үтіктің ыстық беттеріне қол тигізбеңіз және дененің ашық жерлерін шығатын будың үстіне ұстамаңыз.
- Үтікті электр желісінен ажыратқаннан кейін ғана резервуардағы суды төгіңіз.
- Электр желісіне қосулы тұрған үтікті қараусыз қалдырмаңыз.
- Бұл құрылғы 8 жастан төменгі балалардың пайдалануына арналмаған. Құрылғы әзірлейтін ыдыс жұмыс істеген кезде және суыту кезінде 8 жастан кіші балалар жете алмайтын жерде тұруы тиіс.
- Бұл прибор жеке мүмкіншілігі шектеулі, жүйке, психикасы ауыратын немесе білімі жеткіліксіз адамдарға (8 жастан жоғары балаларды қоса алғанда) пайдалануға арналмаған. Бұл адамдар тек өздерінің қауіпсіздіктері үшін жауап беретін тұлғаның қадағалауымен болса, сондай-ақ өздеріне құрылғыны қауіпсіз пайдалану және дұрыс пайдаланбаған жағдайда орын алуы мүмкін қауіпті жағдайлар туралы тиісті және түсінікті нұсқаулар берілген болса осы приборды пайдалана алады.
- Резервуарда судың қалдығы болуы мүмкін – бұл қалыпты құбылыс, себебі өндірісте үтік сапа бақылауынан өткен болатын.

ҮТІК VT-1266 B

Үтік киімді, төсек жайманы үтіктеуге және маталарды тік булауға арналған.

СИПАТТАМАСЫ

1. Су шашыратқыш
2. Құю кертiгi қақпағы
3. Үнемі бу жіберу реттегіші
4. Қосымша бу беру түймесі
5. Су бүріккіштің түймесі
6. Тұтқасы
7. Желілік сымды қорғау
8. Қыздырғыш элементтің іске қосылу/ сөну көрсеткіші
9. Үтіктің түбі
10. Суға арналған сұйыққойма
11. Температураны реттегіш
12. Өздігімен тазалану батырмасы
13. Судың максималды деңгейінің көрсеткіші
14. Үтіктің табаны

НАЗАР АУДАРЫҢЫЗ!

Қосымша қорғаныс үшін қоректену тізбегіне 30 мА аспайтын, номиналды іске қосылу тоғы бар қорғаныс ажырату құрылғысын (ҚАҚ) орнатқан тиімді, ҚАҚ-ты орнату үшін мамандарға жүгініңіз.

ҚАУІПСІЗДІК ШАРАЛАРЫ

Электрлік құрылғыны пайдаланар алдында аталмыш нұсқаулықты мұқият оқып шығып, әрі қарай анықтамалық материал ретінде қолдану үшін сақтап қойыңыз.

Құрылғыны осы нұсқаулықта баяндалғандай тікелей мақсаты бойынша ғана пайдаланыңыз. Құрылғыны дұрыс пайдаланбау оның бұзылуына, тұтынушыға немесе оның мүлiгiне зиян келтіруіне әкелуі мүмкін.

- Қосар алдында, электр желісіндегі кернеу құрылғының жұмыс кереуіне сәйкес келетіндігін тексеріп алыңыз.
- Желілік шнур «еврошамен» жабдықталған; оны жерге сенімді қосылған байланысы бар электр розеткасына қосыңыз.
- Өрттің пайда болу тәуекеліне жол бермеу үшін аспапты электр розеткасына қосу кезінде өткізгіштерді қолданбаңыз.
- Электр желісіндегі жүк шамадан асып кетпеуі үшін көп қуатты тұтынатын бірнеше құрылғыны үтікпен бір мезгілде қоспаңыз.
- Үтікті панажайлардан тыс және ылғалдылығы жоғары панажайларда пайдаланбаңыз.

- Үтікті жазық тұрақты бетке қойыңыз немесе тұрақты үтіктеу тақтасын пайдаланыңыз.

НАЗАР АУДАРЫҢЫЗ! Үтіктің беті жұмыс кезінде қыздырады. Күйікке шалдығуды болдырмау үшін терінің ашық жерлерінің үтіктің ыстық беттерімен немесе шығып жатқан бумен түйісуін болдырмаңыз.

- Суға арналған сауытқа хош иістендіргіш сұйықтықтарды, сірке суын, крахмал ерітіндісін, қақты жоюға арналған реагенттерді, химиялық заттарды және т.с.с. құюға тыйым салынады.
- Құрылғыны аэрозольдер шашырайтын жерде немесе тез тұтанатын сұйықтықтар пайдаланылатын жерде қоспаңыз.
- Жұмыс кезінде желілік сымның үтіктеу тақтайшасында болмауын, сонымен бірге жиһаздардың жиектері мен өткір заттардың ыстық үстіңгі беттеріне тиеуін қадағалаңыз.
- Қосылып тұрған құрылғыны қараусыз қалдырмаңыз. Жұмыс уақытындағы үзілістер уақытында үтікті (тік күйінде) негізіне орнатыңыз .
- Үтікті электр желісіне қосу/ажырату алдында температура реттегішін минималды күйге орнатып алыңыз және тұрақты бу жіберуді ажыратыңыз.
- Үтікті пайдаланбасаңыз, онда оны міндетті түрде электр желісінен сөндіріп отырыңыз.
- Сауытты суға толтырған кезде, әрқашан айыртетікті ашалықтан ажыратыңыз.
- Суды толтыруға арналған саңылаудың қақпағы үтіктеу уақытында жабық болуы керек.
- Үтікті электр желісінен сөндірген кезде әрқашан желілік айыр тетіктен ұстаңыз, ешқашан желілік баудан тартпаңыз.
- Электр тоғының соғу қаупін болдырмас үшін үтікті, желілік шнурды немесе желілік шнур ашасын суға немесе басқа да сұйықтыққа батырмаңыз.
- Үтікті жинап қоюға дейін судың қалдығын төгіңіз және оған толық салқындауға уақыт беріңіз.
- Үтікті электр желісінен ажыратқаннан кейін ғана резервуардағы суды төгіңіз.
- **Приборды үнемі тазалап тұрыңыз.**
- **Құрылғы корпусын, желілік сымды және желілік сым айырын су қолмен ұстауға тыйым салынады.**
- Балалардың құрал жұмысы кезінде корпусын немесе желілік сымын ұстауына рұқсат бермеңіз.

ҚАЗАҚША

- Құрылғыны ойыншық ретінде пайдалануға жол бермеу үшін балаларға бақылау жасаңыз.
- Балалардың қауіпсіздігін қамтамасыз ету мақсатында қаптама ретінде пайдаланылатын полиэтилен қапшықтарды қараусыз қалдырмаңыз.

НАЗАР АУДАРЫҢЫЗ! Балаларға полиэтилен пакеттермен немесе қаптама үлдірмен ойнауға рұқсат бермеңіз. **Тұншығу қаупі!**

- Егер желі бауында немесе желі ашасында ақау болса, немесе үтік кідіріспен жұмыс істесе, сондай-ақ құрылғы құлаған жағдайда немесе ағып кеткен жағдайда, құрылғыны пайдалануға тыйым салынады.
- Аспапты өз бетімен жөндеуге тыйым салынады. Өздігіңізден құрылғыны бөлшектемеңіз, кез келген ақау шыққан жағдайда, сондай-ақ құрылғы құлаған жағдайда құрылғыны розеткадан алып тастаңыз да, байланысу мекенжайлары бойынша кепілдеме талонында көрсетілген кез келген авторланған (үкілетті) сервистік орталыққа, және www.vitek.ru сайтына жүгініңіз.
- Құрылғыны тек зауыттық орауда тасымалдаңыз.
- Балалардың және мүмкіндіктері шектеулі адамдардың қолы жетпейтін жерде сақтаңыз.
- Берілген құрылғы балалардың пайдалануына арналмаған. Жұмыс істеген және салқындаған уақытта құрылғыны балалардың қолы жетпейтін жерде орналастырыңыз.
- Дене, жүйке немесе сана мүмкіндіктері төмендетілген тұлғалардың (балаларды қоса) немесе оларда тәжірибесі немесе білімі болмаса, егер олар бақыланбаса немесе олардың қауіпсіздігі үшін жауап беретін тұлғамен аспапты пайдалану туралы нұсқаулықтар берілген болмаса, аспап олардың пайдалануына арналмаған.

ҚҰРЫЛҒЫ ТЕК ТҰРМЫСТЫҚ ЖАҒДАЙДА ПАЙДАЛАНУҒА АРНАЛҒАН

АЛҒАШ ПАЙДАЛАНУ АЛДЫНДА

Тасымалданғаннан кейін немесе құрылғы төмен температурада сақталған болса оны бөлме температурасында үш сақаттан кем емес уақыт ұстау қажет.

- Үтікті қораптан шығарып алыңыз, үтік табанында қорғаныш (14) болған кезде қорғанышты алып тастаңыз.

- Құрылғының тұтастығын тексеріңіз, бұзылулар болған кезде үтікті пайдаланбаңыз.
- Электр желісінің кернеуі үтіктің жұмыс кернеуіне сәйкес келетіндігін тексеріп алыңыз.
- Сауытта судың қалдықтары болуы мүмкін – бұл қалыпты құбылыс, себебі өндірісте үтік сапа қадағалауынан өтеді.

Ескерту: Алғашқы қосқан кезде үтіктің қыздыратын элементі күйеді, сондықтан аз көлемдегі түтіннің немесе бөтен иістің пайда болуы – бұл қалыпты құбылыс.

СУДЫ ТАҢДАУ

Сауытты (10) толтыру үшін құбырдағы суды пайдалануға болады. Егер құбырдағы су кермек болса, дистильденген немесе минералсыздандырылған суды пайдаланыңыз, бұл үтіктің қызмет ету мерзімін ұзартады.

Ескерту: Суға арналған сауытқа (10) хош иістендіргіш сұйықтықтарды, сірке суын, крахмал ерітіндісін, қақты жоюға арналған реагенттерді, химиялық заттарды және т.с.с. құюға тыйым салынады.

СУҒА АРНАЛҒАН РЕЗЕРВУАРДЫ ТОЛТЫРУ

Суды үтікке құю алдында, оның желіден ажыратылғанына көз жеткізіңіз.

- Температура реттегішін (11) «OFF» (СӨНДІРІЛГЕН) күйіне белгілеңіз, ал тұрақты бу беру реттегішін (3) төменгі – бу беру сөндірілген күйге ауыстырыңыз.
- Су құю саңылауының қақпағын (2) ашыңыз.
- Суға арналған сауытқа (10) суды құйыңыз, қақпақты (2) тығыз жабыңыз.


Ескерту:

- «MAX» белгісінен (13) жоғары суды толтырмаңыз.
- Егер үтіктеу кезінде суды толтыру қажет болса, онда үтікті сөндіріңіз және желілік айыр тетікті ашалаықтан ажыратыңыз және суды құйыңыз.
- Сіз үтіктел болғаннан кейін, үтікті сөндіріңіз, оның толық салқындауын күтіңіз, содан кейін құятын саңылаудың қақпағын (2) ашыңыз, үтікті төңкеріңіз және ссу қалдықтарын төгіңіз.

ҮТІКТЕУ ТЕМПЕРАТУРАСЫ

Қолдану алдында, үтіктің табаны (14) және суға арналған сауыт (10) таза екеніне көз жеткізу үшін қызған үтікті матаның кішкентай бөлігінде тексеріңіз.

- Өрқашан үтіктеу алдында үтіктеудің ұсынылған температурасы көрсетілген бұйымның жапсырмасын қараңыз.
- Егер үтіктеу бойынша нұсқаулары бар тілше жоқ болса, бірақ сіз материалдың түрін ажырата алсаңыз, онда температураны таңдау үшін кестені пайдаланыңыз.

Белгілеулер	Мата түрі (температура)
	үтіктемеу керек
•	синтетика, нейлон, акрил, полиэстер (төмен температура)
••	жібек/жүн (орташа температура)
•••	мақта/зығыр (жоғары температура)

- Бұл кесте тек тегіс материалдарға арналған. Егер материал басқа түрлі (гофрленген, кедір-бұдырлы және т.б.) болса, онда оны төменгі температурада үтіктеген жөн.
- Алдымен заттарды үтіктеу температурасы бойынша сұрыптаңыз: синтетиканы – синтетикаға, жүнді – жүнге, мақтаны – мақтаға және т.б.
- Үтіктің қызуы, оның салқындауына қарағанда тез. Сондықтан алдымен, төмен температурадағы киімдерді үтіктеп алған жөн (мысалы, синтетикалық маталар). Содан кейін анағұрлым жоғары температура кезіндегі үтіктеуге көшіңіз (жібек, жүн). Мақта мен зығыр бұйымдарын соңғы кезекте үтіктеңіз.
- Егер матаның құрамына аралас талшықтар енсе, онда ең төмен температураны белгілеу қажет (мысалы, егер бұйым 60% Полиэстерден және 40% мақтадан құралса, онда оны полиэстерге сәйкес температурада үтіктеу қажет «•»).
- Егер сіз матаның құрамын анықтай алмасаңыз, онда киімнің киген кезде көзге түсе қоймайтын жерін тауып алыңыз да, тәжірибелік жолмен үтіктеу температурасын таңдаңыз (үнемі ең төменгі температурадан бастаңыз да, қалаған нәтижеге қол жеткізгенге дейін оны көбейте беріңіз).
- Вельветті және басқа да тез түгі түсетін маталарды қатаң түрде бір бағытта ғана (түктің бағытына қарай) сәл батыңқырап үтіктеу керек.
- Синтетикалық және жібек маталарда түгі түскен дақтардың пайда болуын болдырмас үшін оларды астары жағынан үтіктеген жөн.

ҮТІКТЕУ ТЕМПЕРАТУРАСЫН ОРНАТУ

- Үтікті түбіне (9) қойыңыз.
- Желілік баудың айырететігін электр ашалығына салыңыз.
- Реттегішті (11) бұрай отырып, қалаған үтіктеу температурасын «•», «••», «•••» немесе «MAX» күйіне (матаның түріне байланысты) орнатыңыз, сол кезде көрсеткіш (8) жанады.
- Үтік табанының (14) температурасы белгіленген температураға дейін қызған кезде көрсеткіш (8) сөнеді, үтіктеуге кірісуге болады.

Ескерту:

- *Егер сіз жоғары температурамен үтіктесеңіз, және төмен температураға көшу қажеттілігі пайда болса, онда табан температурасының төмендеуін күтіп және көрсеткіш (8) жанғаннан кейін ғана үтіктей бастау ұсынылады. Бұмен үтіктеген кезде үтіктеу температурасын «•••» немесе “MAX” деңгейіне белгілеу керек.*

СУ ШАШЫРАТҚЫШ

- Сіз шашыратқыш түймесін (5) бірнеше рет басып матаны дымқылдай аласыз.
- Сауытта (10) су жеткілікті екеніне көз жеткізіңіз.

ҚҰРҒАҚТАЙ ҮТІКТЕУ

- Үтікті түбіне (9) қойыңыз.
- Желілік баудың айырететігін электр ашалығына салыңыз.
- Тұрақты бу беру реттегіші (3) төменгі (бу беру сөндірілген күйге ауыстырыңыз).
- Реттегішті (11) бұрай отырып, қалаған үтіктеу температурасын «•», «••», «•••» немесе «MAX» күйіне (матаның түріне байланысты) орнатыңыз, сол кезде көрсеткіш (8) жанады.
- Табанның (14) температурасы белгіленген температураға дейін қызған кезде көрсеткіш (8) сөніп қалады, осыдан кейін үтіктеуге кірісе беруге болады.
- Үтікті пайдаланып болғаннан кейін температура реттегішін (11) «OFF» күйіне орнатыңыз.
- Желілік баудың айырететігін электр ашалығынан суырыңыз да, оның толық салқындауын күтіңіз.

БУМЕН ҮТІКТЕУ

- Бұмен үтіктеген кезде үтіктеу температурасын «•••» немесе «MAX» күйіне белгілеу керек.

ҚАЗАҚША

Үтік табанының температурасы өте төмен болған кезде, су жіберуді жауып қалатын, тамшыға қарсы құлақшасымен жабдықталған, бұл үтіктің табанындағы (14) саңылаудан тамшылардың пайда болуын тоқтатады. Үтік табаны не қызған кезде, не суыған кезде тамшыға қарсы құлақшаның ашылуына/жабылуына тән дыбыстар естіледі, бұл оның дұрыс жұмыс істеп тұрғандығын білдіреді.

- Үтікті түбіне (9) қойыңыз.
- Тұрақты бу беру реттегіші (3) төменгі – бу беру сөндірілген күйге ауыстырыңыз.
- Желілік баудың айырететігін электр ашалығына салыңыз.
- Сауытта (10) су жеткілікті екеніне көз жеткізіңіз.
- Реттегішті (11) бұрап, қажетті үтіктеу температурасын «***» немесе «MAX» белгілеңіз, сол кезде көрсеткіш (8) жанады.
- Үтік табанының (14) температурасы белгіленген температураға дейін қызған кезде көрсеткіш (8) сөнеді, үтіктеуге кірісуге болады.
- Тұрақты бу беру реттегішімен (3) қажетті бу түзу қарқындылығын белгілеңіз, бу үтік табанының (14) саңылауларынан шыға бастайды.
- Тұрақты бу берілісі реттеушісінің (3) үш күйі бар: төменгі күйі – бу берілісі өшірілген, ортаңғы және жоғарғы күйі - бу түзілімінің түрлі қарқындылығымен. Тұрақты будың барынша берілісі үшін (3) реттеушісі жоғарғы күйіне қойыңыз.
- Үтікті пайдаланып болғаннан кейін температура реттегішін (11) «OFF» күйіне, ал тұрақты бу беру реттегішін (3) төменгі – бу беру сөндірілген күйге ауыстырыңыз.
- Желілік баудың айырететігін электр ашалығынан суырыңыз да, оның толық салқындауын күтіңіз.

НАЗАР АУДАРЫҢЫЗ!

Егер жұмыс істеу уақытында тұрақты бу беру жүзеге аспаса, температура реттегішінің (11) күйін, тұрақты бу беру реттегішінің (3) күйін және сауытта (10) судың болуын тексеріңіз.

ҚОСЫМША БУ БЕРУ

Қосымша бу беру функциясы жиырылған жерлерді жазу кезінде пайдалы және жоғары температуралы үтіктеу күйінде ғана пайдаланыла алады (осы тәртіптемеде (11) температура реттеушісі «***» немесе «MAX» күйінде тұрады).

- Қосымша бу беру батырмасын (4) басқан кезде бу үтік табанының саңылауларынан қарқынды шыға бастайды.

Ескерту: Бу саңылауларының арасынан судың ағуын болдырмау үшін қосымша бу жіберу тетігін (4) 4-5 секунд аралығымен басып отырыңыз.

ТІГІНЕН БУЛАУ

Тігінен булау қызметі тек жоғары температуралы үтіктеу режимінде ғана пайдаланыла алады (бұл жағдайда температура реттегіші (11) «***» немесе «MAX» күйінде орналасуы керек). Үтікті тігінен киімнен 10-30 см қашықтықта ұстап тұрыңыз да, қосымша бу беру батырмасын (4) 4-5 секунд аралықпен басыңыз, бу үтіктің табанынан (14) қарқынды шығатын болады.

Маңызды ақпарат: Синтетикалық маталарды тігінен булауға болмайды.

- Булау кезінде матаның еруін болдырмау үшін үтіктің табанын оған тигізбеңіз.
- Ешқашан адамға киюлі тұрған киімді буламаңыз, себебі, шығатын будың температурасы өте жоғары, ол үшін киім ілгіштерді пайдаланыңыз.
- Үтіктеп болғаннан кейін, үтікті сөндіріңіз, оның толық салқындауын күтіңіз, содан кейін су құятын саңылаудың қақпағын (2) ашыңыз, үтікті төңкеріңіз және су қалдықтарын төгіңіз.

БУ КАМЕРАСЫН ТАЗАЛАУ

Үтіктің қызмет ету мерзімін арттыру үшін үнемі бу камерасын тазартып тұру керек.

- Тұрақты бу беру реттегішін (3) төменгі – бу беру сөндірілген күйге ауыстырыңыз.
- Сауытты (10) жартылай суға толтырыңыз.
- Үтікті түбіне (9) қойыңыз.
- Желілік баудың айырететігін электр ашалығына салыңыз.
- Реттегішті (11) бұрап, үтік табанының максималды қызу температурасына «MAX» орнатыңыз, осы кезде көрсеткіш (8) жанады.
- Үтік табанының (14) температурасы белгіленген температураға жеткенде, көрсеткіш (8) сөнеді, бу камерасын тазалауды жүргізуге болады.
- Температура реттегішін (11) «OFF» күйіне белгілеп, үтікті сөндіріңіз. Желілік баудың айырететігін электр ашалығынан ажыратыңыз.
- Үтікті қолжуғыш үстінен көлденең орналастырыңыз, өздігімен тазалану батырмасын (12) басып ұстап тұрыңыз.

- Қайнаған су мен бу қақпен бірге үтіктің табаны (14) саңылауларынан шыға бастайды.
- Үтікті алға-артқа сауыттағы (10) бүкіл су шығып болғанға дейін сәл шайқаңыз.
- Үтікті негізіне қойыңыз (9), оғанм толық салқындауға уақыт беріңіз.
- Үтіктің табаны (14) толық суып болғаннан кейін, оны құрғақ матамен сүртіңіз.
- Үтікті сақтауға қойғанға дейін, сауытта (10) су жоқ екеніне, ал үтік табаны (14) құрғақ екеніне көз жеткізіңіз.

КҮТІМ ЖӘНЕ ТАЗАЛАУ

- Үтікті тазалағанға дейін оның желіден ажыратылғанына және салқындағанына көз жеткізіңіз.
- Үтіктің корпусын ылғал матамен сүртіңіз, осыдан кейін оны құрғатып сүртіңіз.
- Үтіктің табанындағы шөгінділерді су-сірке суы ерітіндісіне малынған матамен кетіруге болады.
- Шөгінділерді кетіргеннен кейін табанның бетін құрғақ матамен жалтыратып сүртіңіз.
- Үтіктің табаны мен корпусын тазалау үшін қажайтын тазартқыш құралдарды пайдаланбаңыз.
- Үтіктің табанын өткір металл бұйымдарына тигізіп алмаңыз.

САҚТАЛУЫ

- Температура реттегішін (11) «OFF» күйіне белгілеңіз, ал тұрақты бу реттегішін (3) төменгі – бу беру сөндірілген күйіне бұрыңыз. Желілік баудың айыртетігін электр ашалығынан ажыратыңыз.
- Құятын саңылаудың қақпағын (2) ашыңыз, үтікті төңкеріңіз және қалған суды суға арналған сауыттан (10) төгіңіз.
- Құятын саңылаудың қақпағын (2) жабыңыз.
- Үтікті тігінен қойыңыз да, оны суытыңыз.
- Үтікті тік күйінде құрғақ, салқын, балалардың қолы жетпейтін жерде сақтаңыз.

ТЕХНИКАЛЫҚ СИПАТТАМАЛАР

Электрқорегі: 220-240 В ~ 50 Гц
Тұтынатын қуаты: 2400 Вт

Өндіруші құрылғының дизайны мен техникалық сипаттамасын алдын ала ескертусіз өзгеруге құқылы

Құралдың қызмет мерзімі – 3 жыл

Гарантиялық міндеттілігі

Гарантиялық жағдайдағы қаралып жатқан бөлшектер дилерден тек сатып алынған адамға ғана беріледі. Осы гарантиялық міндеттілігіндегі шағымдалған жағдайда төлеген чек немесе квитанциясын көрсетуі қажет.

EAC

УКРАЇНЬСКА

УВАГА!

- Не користуйтеся праскою після її падіння, за наявності видимих пошкоджень або в разі протікання.
- Ставте праску на рівну стійку поверхню або користуйтеся стійкою прасувальною дошкою.
- Не використовуйте праску за наявності пошкоджень мережевої вилки, мережевого шнура або будь-яких інших несправностей.
- При наповненні резервуара водою обов'язково виймайте вилку мережевого шнура з електричної розетки.
- Кришка заливального отвору має бути закрита під час прасування.
- Увага! Поверхні праски нагріваються під час роботи. Щоб уникнути опіків, не торкайтеся гарячих поверхонь праски та не розташовуйте відкриті ділянки тіла над виходячою парою.
- Зливайте воду з резервуара лише після вимкнення праски з електричної мережі.
- Не залишайте праску, підключену до електричної мережі, без нагляду.
- Даний пристрій не призначений для використання дітьми молодше 8 років. Під час роботи і охолодження розміщайте пристрій у місцях, недоступних для дітей молодше 8 років.
- Цей пристрій не призначений для використання людьми (включаючи дітей старше 8 років) з фізичними, нервовими, психічними відхиленнями або без достатнього досвіду і знань. Використання приладу такими особами можливо, тільки якщо вони знаходяться під наглядом особи, що відповідає за їх безпеку за умовою, що їм були дані відповідні зрозумілі інструкції про безпечне використання пристрою і ті небезпеки, які можуть виникати при його неправильному користуванні.
- У резервуарі можуть знаходитися залишки води – це нормальне явище, так як на виробництві праска проходила контроль якості.

ПРАСКА VT-1266 B

Праска призначена для прасування одягу, постільної білизни та вертикального відпарювання тканин.

ОПИС

1. Розбризкувач води
2. Кришка заливального отвору
3. Регулятор постійної подачі пари
4. Кнопка додаткової подачі пари
5. Кнопка розбризкувача води
6. Ручка
7. Захист мережного шнура
8. Індикатор увімкнення/вимкнення нагрівального елемента
9. Основа праски
10. Резервуар для води
11. Регулятор температури
12. Кнопка самоочищення
13. Показник максимального рівня води
14. Підшва праски

УВАГА!

Для додаткового захисту в ланцюзі живлення доцільно встановити пристрій захисного вимкнення (ПЗВ) з номінальним струмом спрацьовування, що не перевищує 30 мА, для установлення ПЗВ зверніться до фахівця.

ЗАПОБІЖНІ ЗАХОДИ

Перед початком експлуатації електроприладу уважно прочитайте це керівництво з експлуатації і збережіть його для використання як довідковий матеріал.

Використовуйте пристрій тільки за його прямим призначенням, як викладено у цьому керівництві. Неправильне поводження з пристроєм може привести до його поломки, спричинення шкоди користувачеві або його майну.

- Перед вмиканням переконайтеся, що напруга в електричній мережі відповідає робочій напрузі праски.
- Мережний шнур забезпечений «євровилкою»; вмикайте її в розетку, що має надійний контакт заземлення.
- Щоб уникнути ризику виникнення пожежі, не використовуйте перехідники при підмиканні пристрою до електричної розетки.
- Щоб уникнути перевантаження електричної мережі, не вмикайте одночасно декілька пристроїв з великою споживаемою потужністю.

- Не користуйтеся праскою поза приміщеннями, а також у приміщеннях з підвищеною вологістю.
- Ставте праску на рівну стійку поверхню або користуйтеся стійкою прасувальною дошкою.

УВАГА! Поверхні праски нагріваються під час роботи. Уникайте контакту відкритих ділянок шкіри з гарячими поверхнями праски або виходячою парою, щоб уникнути отримання опіків.

- Забороняється заливати у резервуар для води ароматизуючі рідини, оцет, розчин крохмалю, реакенти для видалення накипу, хімічні речовини тощо.
- Не вмикайте пристрій у місцях, де розпошуються аерозолі або використовуються легкозаймисті рідини.
- Наглядайте, щоб мережний шнур не знаходився на прасувальній дошці і не торкався гарячих поверхонь та гострих кромок.
- Не залишайте увімкнутий в мережу пристрій без нагляду. Під час перерв у роботі встановлюйте праску на основу (у вертикальне положення).
- Перед вимкненням/підмиканням праски до електричної мережі встановіть регулятор температури у мінімальне положення та вимкніть постійну подачу пари.
- Обов'язково вимикайте праску з електричної мережі, якщо ви нею не користуєтесь.
- При наповненні резервуара водою обов'язково виймайте вилку мережного шнура з електричної розетки.
- Кришка заливального отвору має бути закрита під час прасування.
- При вимкненні праски з електричної мережі обов'язково тримайтеся за мережеву вилку, ніколи не тягніть за мережний шнур.
- Щоб уникнути ураження електричним струмом, не занурюйте праску, мережний шнур і вилку мережного шнура у воду або у будь-які інші рідини.
- Перш ніж забрати праску, дайте їй повністю остигнути і злийте залишки води.
- Зливайте воду з резервуара лише після вимкнення праски з електричної мережі.
- **Регулярно робіть чищення пристрою.**
- **Не торкайтеся корпусу пристрою і вилки мережного шнура мокрими руками.**
- Не дозволяйте дітям торкатися корпусу праски та мережного шнура під час роботи пристрою.

УКРАЇНЬСКА

- Здійснюйте нагляд за дітьми, щоб не допустити використання пристрою як іграшки.
- З міркувань безпеки дітей не залишайте поліетиленові пакети, що використовуються як упаковка, без нагляду.

УВАГА! Не дозволяйте дітям грати з поліетиленовими пакетами або пакувальної плівкою.

Небезпека задушення!

- Забороняється використовувати пристрій за наявності пошкоджень мережної вилки або мережного шнура, якщо праска працює з перебоями, а також після падіння пристрою або в разі протікання.
- Забороняється самостійно ремонтувати пристрій. Не розбирайте пристрій самостійно, при виникненні будь-яких несправностей, а також після падіння пристрою вимкніть пристрій з електричної розетки та зверніться до будь-якого авторизованого (уповноваженого) сервісного центру за контактними адресами, вказаними у гарантійному талоні та на сайті www.vitek.ru.
- Перевозьте пристрій лише у заводській упаковці.
- Зберігайте пристрій у місцях, недоступних для дітей та людей з обмеженими можливостями.
- Цей пристрій не призначений для використання дітьми. Під час роботи і охолодження розміщайте пристрій у місцях, недоступних для дітей.
- Пристрій не призначений для використання особами (включаючи дітей) зі зниженими фізичними, психічними і розумовими здібностями або при відсутності у них досвіду або знань, якщо вони не знаходяться під контролем або не проінструктовані щодо використання пристрою особою, відповідальною за їх безпеку.

ПРИСТРІЙ ПРИЗНАЧЕНИЙ ТІЛЬКИ ДЛЯ ПОБУТОВОГО ВИКОРИСТАННЯ

ПЕРЕД ПЕРШИМ ВИКОРИСТАННЯМ

Після транспортування або зберігання пристрою при зниженій температурі необхідно витримати його при кімнатній температурі не менше трьох годин.

- Витягніть праску з упаковки, за наявності захисту на підшві (14) праски видаліть захист.
- Перевірте цілісність пристрою, за наявності пошкоджень не користуйтеся праскою.

- Перед вмиканням переконайтеся в тому, що напруга в електричній мережі відповідає робочій напрузі праски.
- У резервуарі можуть знаходитися залишки води – це нормальне явище, так як на виробництві праска проходила контроль якості.

Примітка: При першому вмиканні нагрівальний елемент праски обгорає, тому можливе з'явлення стороннього запаху та невеликої кількості диму, це нормальне явище.

ВИБІР ВОДИ

Для наповнення резервуара (10) ви можете використовувати водопровідну воду. Якщо водопровідна вода тверда, використовуйте дистильовану або демінералізовану воду, це продовжить термін служби праски.

Примітка: Забороняється заливати у резервуар для води (10) ароматизуючі рідини, оцет, розчин крохмалю, реагенти для видалення накипу, хімічні речовини і т.ін.

НАПОВНЕННЯ РЕЗЕРВУАРА ДЛЯ ВОДИ

Перш ніж залити воду в праску переконайтеся, що вона вимкнена з електричної мережі.

- Установіть регулятор температури (11) у положення «OFF» (ВИМКНЕНО), а регулятор постійної подачі пари (3) переведіть у нижнє положення – подача пари вимкнена.
- Відкрийте кришку заливального отвору (2).
- Залийте воду у резервуар для води (10), потім щільно закрийте кришку (2).

Примітки:


- Не наливайте воду вище за відмітку «MAX» (13).
- Якщо під час прасування необхідно долити воду, вимкніть праску та витягніть мережну вилку з електричної розетки.
- Після того, як ви закінчите прасувати, вимкніть праску, дочекайтеся її повного охолодження, потім відкрийте кришку заливального отвору (2), переверніть праску і злийте залишки води.

ТЕМПЕРАТУРА ПРАСУВАННЯ

Перед початком експлуатації протестуйте нагріту праску на шматочку тканини, щоб переконаватися в тому, що підшва праски (14) і резервуар для води (10) чисті.

- Кожного разу перед прасуванням речей дивіться на ярлик виробу, де вказана рекомендує температура прасування.

- Якщо ярлик з вказівками по прасуванню відсутній, але ви знаєте тип матеріалу, то для вибору температури прасування користуйтеся таблицею.

Позначення	Тип тканини (температура)
	не прасувати
•	синтетика, нейлон, акрил, поліестер (низька температура)
••	шовк/вовна (середня температура)
•••	бавовна/льон (висока температура)

- Таблиця придатна лише для гладких матеріалів. Якщо матеріал іншого типу (гофрований, рельєфний тощо), то краще всього його прасувати при низькій температурі.
- Спочатку відсортуйте речі за температурою прасування: синтетику – до синтетики, вовну – до вовни, бавовну – до бавовни і так далі
- Праска нагрівається швидше, ніж остигає. Тому спочатку рекомендується прасувати речі, які потребують низьку температуру (наприклад, синтетичні тканини). Потім починайте прасування при вищих температурах (шовк, вовна). Вироби з бавовни і льону слід прасувати в останню чергу.
- Якщо до складу тканини входять сумішеві волокна, то необхідно встановити температуру прасування найнижчу (наприклад, якщо виріб складається на 60% з поліестера і на 40% з бавовни, то його слід прасувати при температурі, відповідній для поліестера «•»).
- Якщо ви не можете визначити склад тканини, то знайдіть на виробі місце, яке не кидається в очі при носінні, і дослідним шляхом виберіть температуру прасування (завжди починайте з найнижчої температури і поступово підвищуйте її, поки не доб'єтеся бажаного результату).
- Вельветові та інші тканини, які швидко починають лиснітися, слід прасувати строго у одному напрямку (у напрямку ворсу) з невеликим натиском.
- Щоб уникнути з'явлення лисючих плям на синтетичних і шовкових тканинах, їх слід прасувати з виворотного боку.

УСТАНОВЛЕННЯ ТЕМПЕРАТУРИ ПРАСУВАННЯ

- Поставте праску на основу (9).
- Вставте вилку мережного шнура в електричну розетку.
- Повертанням регулятора (11) установіть потрібну температуру прасування: «•», «••», «•••» або «MAX» (залежно від типу тканини), при цьому засвітиться індикатор (8).
- Коли підошва праски (14) нагріється до встановленої температури, індикатор (8) погасне, можна починати прасування.

Примітка:

- Якщо ви прасували при високій температурі, і виникла необхідність перейти до низької температури, то рекомендується дочекатися зниження температури підошви і починати прасувати тільки після того, як засвітиться індикатор (8). При паровому прасуванні необхідно встановлювати температуру прасування «•••» або «MAX».

РОЗБРИЗКУВАЧ ВОДИ

- Ви можете зволожити тканину, натиснувши декілька разів на кнопку розбризкувача (5).
- Переконайтеся, що у резервуарі (10) достатньо води.

СУХЕ ПРАСУВАННЯ

- Поставте праску на основу (9).
- Вставте вилку мережного шнура в електричну розетку.
- Регулятор постійної подачі пари (3) переvedіть у нижнє положення (подача пари вимкнена).
- Повертанням регулятора (11) установіть потрібну температуру прасування: «•», «••», «•••» або «MAX» (залежно від типу тканини), при цьому засвітиться індикатор (8).
- Коли підошва праски (14) нагріється до встановленої температури, індикатор (8) погасне, тепер можна починати прасування.
- Після використання праски установіть регулятор температури (11) у положення «OFF».
- Витягніть вилку мережного шнура з електричної розетки і дочекайтеся повного охолодження праски.

ПАРОВЕ ПРАСУВАННЯ

При паровому прасуванні необхідно встановлювати температуру прасування «•••» або «MAX».

УКРАЇНЬСКА

Праска забезпечена протикраплинним клапаном, який закриває подачу води при дуже низькій температурі підшоши праски, це запобігає з'явленню крапель з отворів підшоши праски (14). При нагріванні і охолодженні підшоши праски ви почуєте характерне клацання відкривання/закривання протикраплинного клапана, що свідчить про його нормальну роботу.

- Поставте праску на основу (9).
- Регулятор постійної подачі пари (3) переведіть у нижнє положення – подача пари вимкнена.
- Вставте вилку мережного шнура в електричну розетку.
- Переконайтеся, що у резервуарі (10) достатньо води.
- Повертанням регулятора (11) установіть потрібну температуру прасування: «••••» або «МАХ», при цьому засвітиться індикатор (8).
- Коли підшошва праски (14) нагріється до встановленої температури, індикатор (8) погасне, можна починати прасування.
- Регулятором постійної подачі пари (3) встановіть необхідну інтенсивність пароутворення, пара почне виходити з отворів підшоши праски (14).
- Регулятор постійної подачі пари (3) має три положення: нижнє положення – подача пари вимкнена, середнє і верхнє положення – з різною інтенсивністю пароутворення. Для максимальної постійної подачі пари встановіть регулятор (3) у верхнє положення.
- Після використання праски установіть регулятор температури (11) у положення «OFF», а регулятор постійної подачі пари (3) переведіть у нижнє положення – подача пари вимкнена.
- Витягніть вилку мережного шнура з електричної розетки і дочекайтеся повного охолодження праски.

УВАГА!

Якщо під час роботи не відбувається постійної подачі пари, перевірте правильність положення регулятора температури (11), правильність положення регулятора постійної подачі пари (3) та наявність води у резервуарі (10).

ДОДАТКОВА ПОДАЧА ПАРИ

Функція додаткової подачі пари корисна при розпрасовуванні складок і може використо-

вуватися тільки при високотемпературному режимі прасування (при цьому режимі регулятор температури (11) знаходиться у положенні «••••» або «МАХ»).

- При натисненні кнопки додаткової подачі пари (4) пара з підшоши праски виходитиме інтенсивніше.

Примітка: Щоб уникнути витікання води з парових отворів, натискайте кнопку додаткової подачі пари (4) з інтервалом в 4-5 секунд.

ВЕРТИКАЛЬНЕ ВІДПАРЮВАННЯ

Функція вертикального відпарювання може використовуватися лише при високотемпературному режимі прасування (у цьому випадку регулятор температури (11) знаходиться у положенні «••••» або «МАХ»).

Тримайте праску вертикально на відстані 10-30 см від одягу і натискайте кнопку додаткової подачі пари (4) з інтервалом в 4-5 секунд, пара інтенсивно виходитиме з отворів підшоши праски (14).

Важлива інформація: Не рекомендується здійснювати вертикальне відпарювання синтетичних тканин.

- При відпарюванні не торкайтеся підшовою праски матеріалу, щоб уникнути його оплавлення.
- Ніколи не відпарюйте одяг, надітий на людину, оскільки температура виходячої пари дуже висока, користуйтеся плічками або вішалкою.
- Закінчивши прасувати, вимкніть праску, дочекайтеся її повного охолодження, після чого відкрийте кришку заливального отвору (2), переверніть праску і злийте залишки води.

ОЧИЩЕННЯ ПАРОВОЇ КАМЕРИ

Для подовження терміну роботи праски рекомендується регулярно виконувати очищення парової камери .

- Переведіть регулятор постійної подачі пари (3) у нижнє положення – подача пари вимкнена.
- Наповніть резервуар (10) водою наполовину.
- Поставте праску на основу (9).
- Вставте вилку мережного шнура в електричну розетку.
- Повертанням регулятора (11) встановіть максимальну температуру нагріву підшоши праски «МАХ», при цьому засвітиться індикатор (8).

- Коли підшова праски (14) нагріється до встановленої температури, індикатор (8) погасне, можна проводити очищення парової камери.
- Увімкніть праску, встановивши регулятор температури (11) у положення «OFF». Витягніть вилку мережного шнура з електричної розетки.
- Розташуйте праску горизонтально над раковиною, натисніть та утримуйте кнопку самоочищення (12).
- Кипляча вода і пара разом з накипом викидатимуться з отворів підшови праски (14).
- Злегка погойдуйте праску вперед і назад, поки вся вода не вийде з резервуара (10).
- Поставте праску на основу (9) і дайте їй повністю остигнути.
- Коли підшова праски (14) повністю охолоне, протріть її шматочком сухої тканини.
- Перш ніж забрати праску на зберігання, переконайтеся, що у резервуарі (10) немає води, а підшова праски (14) суха.

ДОГЛЯД ТА ЧИЩЕННЯ

- Перш ніж чистити праску переконайтеся, що вона вимкнена з електричної мережі і вже остигла.
- Протирайте корпус праски злегка вологою тканиною, після цього витріть його насухо.
- Відкладення на підшові праски можуть усуватися тканиною, змоченою у водно-оцтовому розчині.
- Після усунення відкладень відполіруйте поверхню підшови праски сухою тканиною.
- Не використовуйте для чищення підшови і корпусу праски абразивні чистячі засоби.
- Уникайте контакту підшови праски з гострими металевими предметами.

ЗБЕРІГАННЯ

- Установіть регулятор температури (11) у положення «OFF», переведіть регулятор постійної подачі пари (3) у нижнє положення – подача пари вимкнена. Витягніть вилку мережного шнура з електричної розетки.
- Відкрийте кришку заливального отвору (2), переверніть праску і злийте рештки води з резервуара для води (10).
- Закрийте кришку заливального отвору (2).
- Поставте праску вертикально і дайте їй повністю остигнути.
- Зберігайте праску у вертикальному положенні у сухому прохолодному місці, недоступному для дітей.

ТЕХНІЧНІ ХАРАКТЕРИСТИКИ

Електроживлення: 220-240 В ~ 50 Гц
Споживаєма потужність: 2400 Вт

Виробник зберігає за собою право змінювати дизайн і технічні характеристики пристрою без попереднього повідомлення

Термін служби пристрою – 3 роки

Гарантія

Докладні умови гарантії можна отримати в дилера, що продав дану апаратуру. При пред'явленні будь-якої претензії протягом терміну дії даної гарантії варто пред'явити чек або квитанцію про покупку.

Даний виріб відповідає вимогам до електромагнітної сумісності, що пред'являються директивою 2004/108/ЕС Ради Європи й розпорядженням 2006/95/ЕС по низьковольтних апаратурах.



GB

A production date of the item is indicated in the serial number on the technical data plate. A serial number is an eleven-unit number, with the first four figures indicating the production date. For example, serial number 0606xxxxxx means that the item was manufactured in June (the sixth month) 2006.

DE

Das Produktionsdatum ist in der Seriennummer auf dem Schild mit technischen Eigenschaften dargestellt. Die Seriennummer stellt eine elfstellige Zahl dar, die ersten vier Zahlen bedeuten dabei das Produktionsdatum. Zum Beispiel bedeutet die Seriennummer 0606xxxxxx, dass die Ware im Juni (der sechste Monat) 2006 hergestellt wurde.

RUS

Дата производства изделия указана в серийном номере на табличке с техническими данными. Серийный номер представляет собой одиннадцатизначное число, первые четыре цифры которого обозначают дату производства. Например, серийный номер 0606xxxxxx означает, что изделие было произведено в июне (шестой месяц) 2006 года.

KZ

Бұйымның шығарылған мерзімі техникалық деректері бар кестедегі сериялық нөмірде көрсетілген. Сериялық нөмір он бір саннан тұрады, оның бірінші төрт саны шығару мерзімін білдіреді. Мысалы, сериялық нөмір 0606xxxxxx болса, бұл бұйым 2006 жылдың маусым айында (алтыншы ай) жасалғанын білдіреді.

UA

Дата виробництва виробу вказана в серійному номері на табличці з технічними даними. Серійний номер представляє собою одинадцятизначне число, перші чотири цифри якого означають дату виробництва. Наприклад, серійний номер 0606xxxxxx означає, що виріб був виготовлений в червні (шостий місяць) 2006 року.



ЗАПРЕЩЕНО УТИЛИЗИРОВАТЬ
С БЫТОВЫМ МУСОРОМ.
ОБРАТИТЕСЬ НА СООТВЕТСТВУЮЩИЙ
ПУНКТ ПЕРЕРАБОТКИ ЭЛЕКТРИЧЕСКОГО
И ЭЛЕКТРОННОГО ОБОРУДОВАНИЯ.