

Plugs / Sockets

F8 / F9 / F12 / F14 PRO PWM PST

A 4-pin PWM plug



B 4-pin PWM socket



Mainboard

C 4-pin PWM socket



CPU Cooler / Fan (PWM Controlled)

D 4-pin PWM plug



How to Plug Your Fan

1



CPU Cooler / Fan (PWM Controlled)

D 4-pin PWM plug

Mainboard

C 4-pin PWM socket

2



Case Fan

A 4-pin PWM plug

Mainboard

C 4-pin PWM socket

3

CPU Cooler / Fan (PWM Controlled)
D 4-pin PWM plug

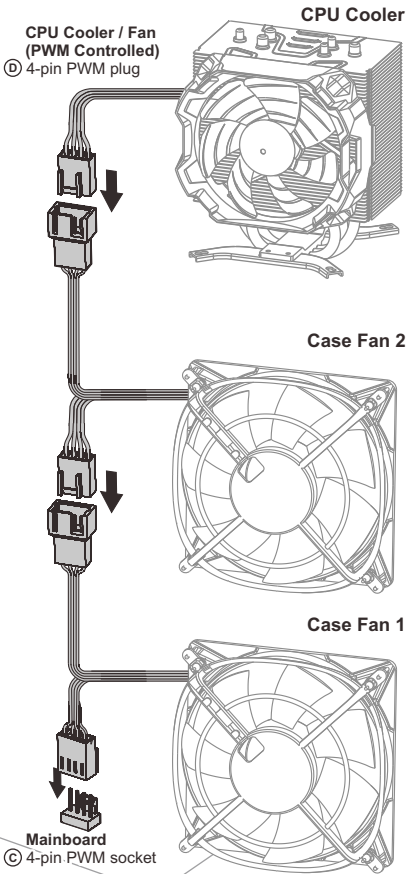
Case Fan
B 4-pin PWM socket

Mainboard
C 4-pin PWM socket

Case Fan
A 4-pin PWM plug

A diagram showing the final assembly. A 4-pin PWM plug (D) is connected to a 4-pin PWM socket (C) on a mainboard. A 4-pin PWM socket (B) is connected to a 4-pin PWM plug (A) on a case fan. The case fan is connected to the mainboard via a cable.

If Connecting with Multiple Fans



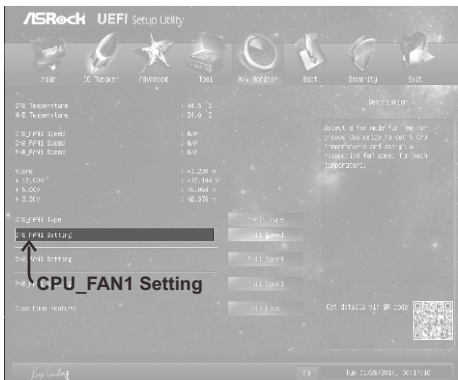
*We recommend not to chain more than 5 fans as some motherboards may only deliver 1.0A per fan header. Please consult your motherboard specification.

Activate PWM Control

In the mainboard BIOS, you can activate and configure the PWM fan speed. Please note the examples below are for reference only. Refer to your mainboard manual regarding the settings in your BIOS.

ASRockFM2A85X-ITX (UEFI Setup Utility)

H/W Monitor > CPU_FAN1 Setting > Silent Mode



Gigabyte MA78GM-S2H (CMOS Setup Utility)

PC Health Status > CPU Smart FAN Control [Enable]
CPU Smart FAN Mode [Auto]

ASRock H55M/USB 3 P1.40 (BIOS Setup Utility)

H/W Monitor > CPU Fan Setting >
CPU Fan Setting [Automatic mode]

Notes:

- Target Fan Speed [Level 1 - 9]
- At Level 1, the case fan may NOT spin at start up, it will spin at a higher CPU temperature.

JW Technology JW-H55M-PRO V 1.01 (BIOS Setup Utility)

Power > PC Health Status >
CPU Fan Mode [Manual] Target Fan Speed [0 - 255]

Notes:

- Fan will spin at minimum speed at 40-60.
- Approximate PWM Value would be Target Fan Speed /2.5
e.g. Target Fan Speed 40 ~ PWM Value 16%

ASUS P5G41T-M LX (BIOS Setup Utility)

Power > CPU Q-Fan Control [Enable]
CPU Fan Profile [Silent / Optimal /Performance mode]

Notes:

- The case fan spins slowly at idle for all three mode.

It is also possible to adjust the fan speed in manual mode to customize according to your own preference.

▲ It is suggested to set the PWM Value at minimum 15%. Percentage lower than that may not generate enough motion to spin the fan.

Warranty

This ARCTIC product includes a six-year limited warranty. For further information, please visit warranty.arctic.ac



© 2015 ARCTIC Switzerland AG. All Rights Reserved.

No part of this manual including the products described in it, may be reproduced, transmitted, stored in a retrieval system, or translated into any language in any form or by any means, except documentation kept by the purchaser for backup purpose, without the express written permission of ARCTIC Switzerland AG. In no event shall ARCTIC its directors or employees be liable for any indirect damages, incidental or consequential damages arising from any defect or error in this manual or product.