



**ARISTON**

# SPARE PARTS EXPLODED VIEW STORAGE ELECTRIC WATER HEATERS

Model

## **ABS BLU EVO**

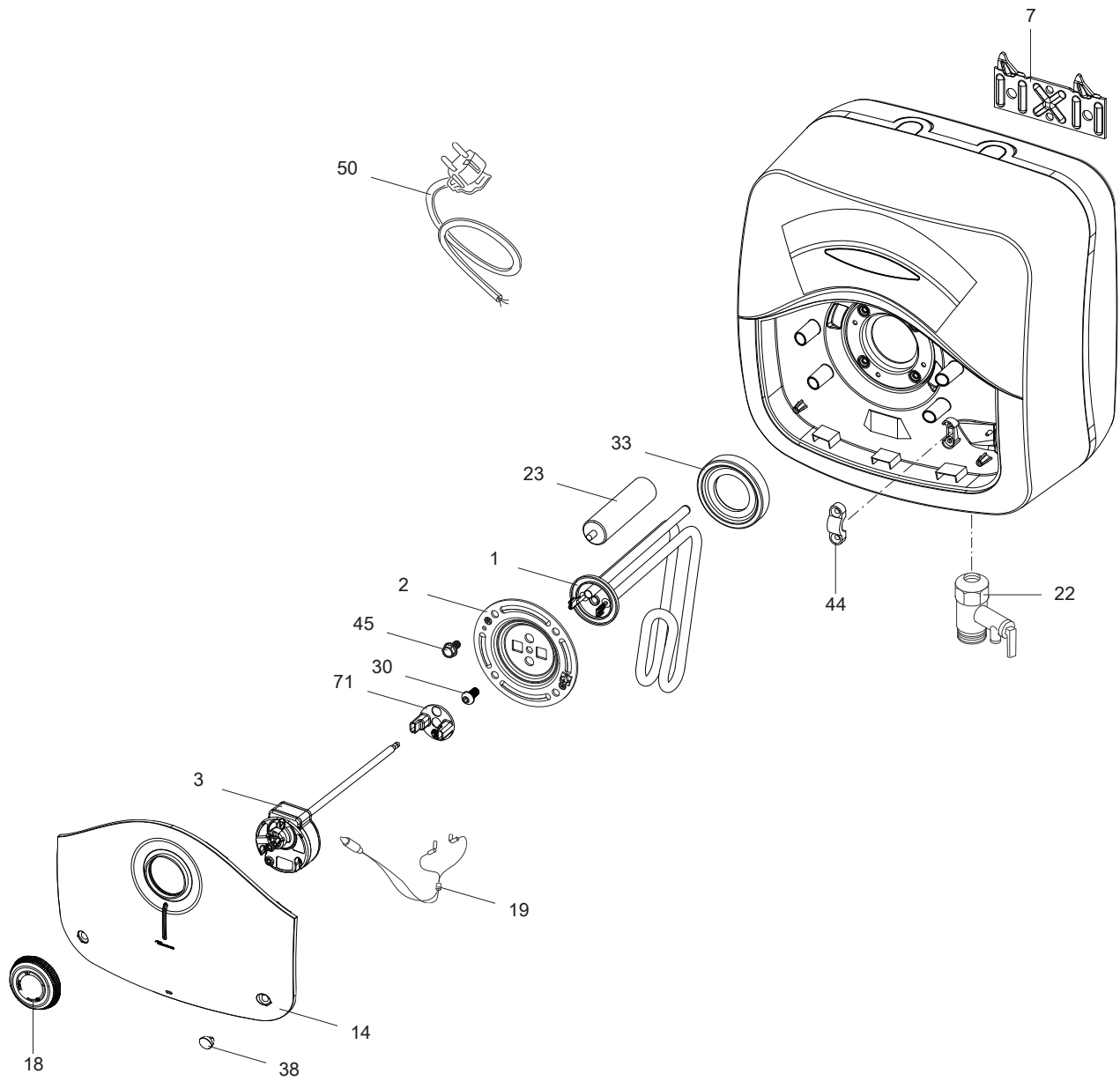
R8217257-02 - 07/01/2016

ABS BLU EVO

Storage Electric Water Heaters

1	3100585	ABS BLU EVO R 10	08-2015	-
2	3100609	ABS BLU EVO RS 10	08-2015	-
3	3100586	ABS BLU EVO R 10U	08-2015	-
4	3100610	ABS BLU EVO RS 10U	08-2015	-
5	3100587	ABS BLU EVO R 15	08-2015	-
6	3100611	ABS BLU EVO RS 15	08-2015	-
7	3100588	ABS BLU EVO R 15U	08-2015	-
8	3100612	ABS BLU EVO RS 15U	08-2015	-
9	3100589	ABS BLU EVO R 30	08-2015	-
10	3100613	ABS BLU EVO RS 30	08-2015	-

Col	Reference	Model type	Begin	End
-----	-----------	------------	-------	-----





## LIST OF THE ABBREVIATIONS

HW .....	: Hot water.
CW .....	: Cold water.
C .....	: Ceramic resistance (normal heating).
Ca .....	: Ceramic resistance (accelerated heating)
TP .....	: Immersion heater.
1F .....	: With fittings.
2F .....	: Without fittings.
3F .....	: With fittings and another outlet connection.
AMI .....	: With mixing valve.
SMI .....	: Without mixing valve.
PUISS .....	: Power of th appliance.
PN .....	: Appliance with normal pression.
LP .....	: Appliance with low pression.
PV .....	: Appliance with variable power.
PF .....	: Appliance with fixed power.

## IDENTIFICATION PLATE

### SERIAL NUMBER

**6 Characters :**  
 Year of manufacture 03 09 08 Manufacturing day  
 Month of manufacture

**9 Characters :**  
 Year of manufacture M 12 10 0606 Sequential number  
 Month of manufacture

**14 Characters :**  
SI-V-0B0 45 07 0001  
 Sequential number  
 Year of manufacture : 6 → 2004  
 Month of manufacture : → 25 → January 43 → July 7 → 2005  
13 → February 29 → August 8 → 2006  
32 → March 40 → September etc ...  
35 → April 38 → October  
39 → May 51 → November  
45 → June 12 → December

**15 Characters :**  
02 11 00001 007843  
 Year of manufacture  
 Month of manufacture Code appareil  
 Sequential number

**21 Characters :**  
3200050 XX 08115 0000001  
 Product reference Sequential number  
 Year (08) / Manufacturing day (115)

**22 Characters :**  
3200050 XX 070115 0000001  
 Product reference Sequential number  
 Year (07) / Month (01) / Manufacturing day (15)

The indications mentioned on the prices, commercial or technical literature and the scheme are written for your guidance and are available at a given time. The CONSTRUCTOR retains the power to modify the presentation, the form, the size, the conception or the material of the products.