



SPARE PARTS EXPLODED VIEW
STORAGE ELECTRIC WATER HEATERS

Model

STABLE - STEA & THER - 07/2007 --> ...

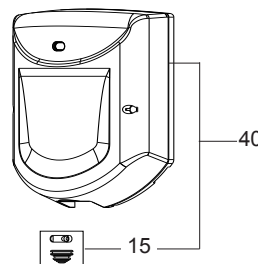
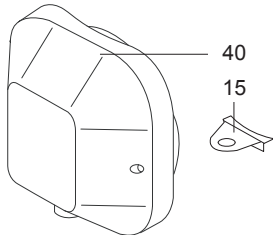
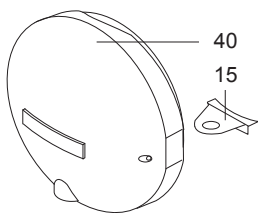
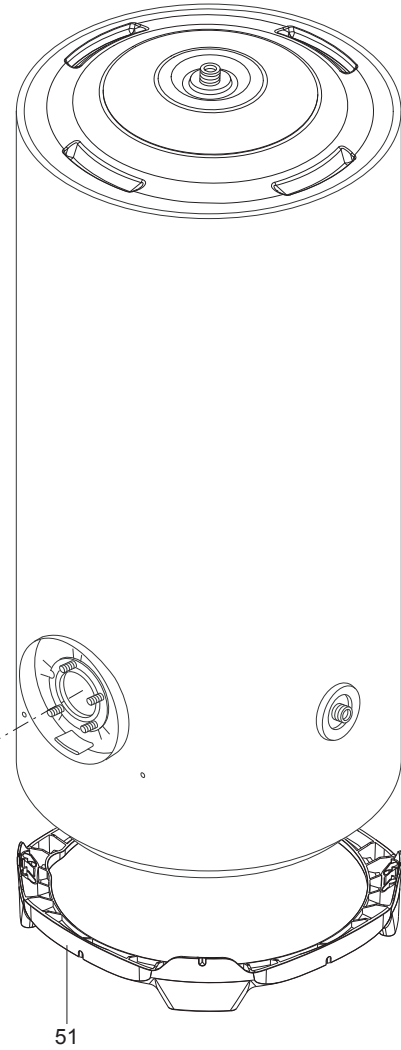
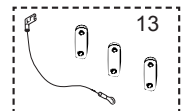
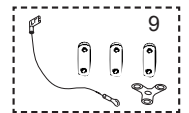
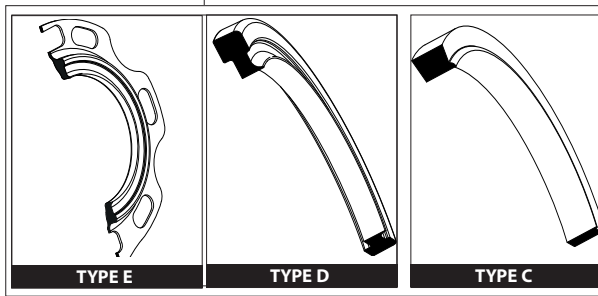
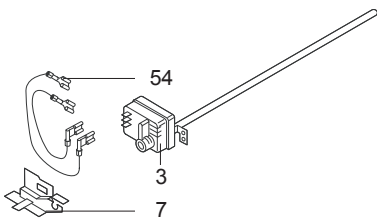
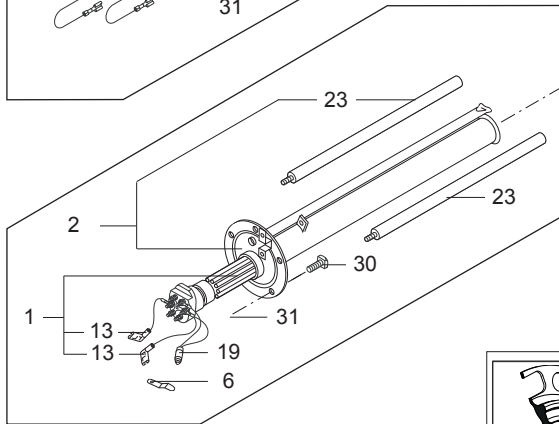
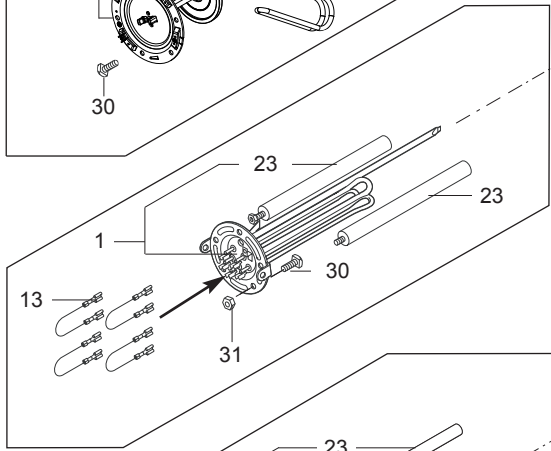
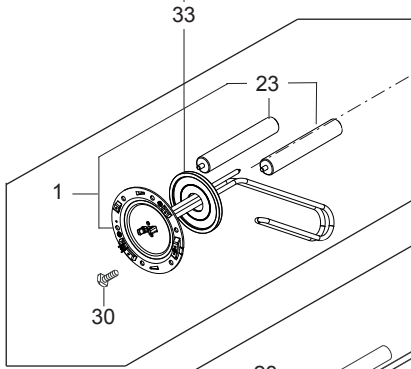
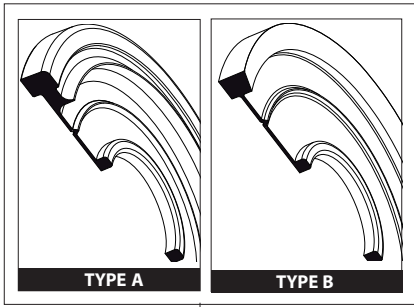
R8203123-16 - 11/02/2021

STABLE - STEA & THER - 07/2007 --> ...

Storage Electric Water Heaters

1	3010187	ARI 200 STAB 560 STEA MT	07-2007	02-2013
2	3010188	ARI 250 STAB 560 STEA MT	07-2007	02-2013
3	3000079	ARI 300 STAB 560 STEA MT	07-2007	11-2014
4	3010186	ARI 200 STAB 560 THER MT	07-2007	11-2015
5	3010139	ARI 250 STAB 560 THER MT	07-2007	11-2015
6	3000062	ARI 300 STAB 560 THER MT	07-2007	09-2015
7	3060351	ARI 200 STAB 560 STEA MO EU	09-2015	02-2017
7	000003060351	ARI 200 STAB 560 STEA MO EU	01-2016	02-2017
7	3000591	ARI 200 STAB 570 STEA MO EU	07-2016	-
7	000003000591	ARI 200 STAB 570 STEA MO EU	06-2016	11-2018
8	3060352	ARI 250 STAB 560 STEA MO EU	09-2015	08-2016
8	000003060352	ARI 250 STAB 560 STEA MO EU	01-2016	02-2017
8	3000592	ARI 250 STAB 570 STEA MO EU	07-2016	-
8	000003000592	ARI 250 STAB 570 STEA MO EU	06-2016	11-2018
9	3060348	ARI 300 STAB 560 STEA MO EU	09-2015	02-2017
9	000003060348	ARI 300 STAB 560 STEA MO EU	12-2015	02-2017
9	3000593	ARI 300 STAB 570 STEA MO EU	07-2016	-
9	000003000593	ARI 300 STAB 570 STEA MO EU	06-2016	11-2018
10	3000594	ARI 300 STAB 570 STEA TM EU	06-2016	-
11	3000363	ARI 200 STAB 560 THER MO EU	09-2015	02-2017
11	000003000363	ARI 200 STAB 560 THER MO EU	01-2016	02-2017
11	3000595	ARI 200 STAB 570 THER MO EU	06-2016	-
11	3000649	STO 200 STAB 570 THER MO EU	03-2017	-
11	3000618	ARI 200 STAB 570 THER MO VS EU	11-2016	-
11	3010911	ARI 200 STAB 570 THER VS MO-UAE	05-2019	-
11	000003000692	ARI 200 STAB 570 THER VS MO-UAE	05-2019	-
12	3000438	ARI 200 STAB 560 THER TM VS EU	01-2016	02-2017
12	3000620	ARI 200 STAB 570 THER TM VS EU	11-2016	-
13	3000351	ARI 250 STAB 560 THER MO EU	09-2015	08-2016
13	000003000351	ARI 250 STAB 560 THER MO EU	12-2015	02-2017
13	3000596	ARI 250 STAB 570 THER MO EU	06-2016	-
14	3000328	ARI 300 STAB 560 THER MO EU	09-2015	02-2017
14	000003000328	ARI 300 STAB 560 THER MO EU	12-2015	02-2017
14	3000597	ARI 300 STAB 570 THER MO EU	06-2016	-
14	3000619	ARI 300 STAB 570 THER MO VS EU	11-2016	-
14	3000650	STO 300 STAB 570 THER MO EU	03-2017	-
14	3010912	ARI 300 STAB 570 THER VS MO-UAE	05-2019	-
14	000003000693	ARI 300 STAB 570 THER VS MO-UAE	05-2019	-
14	3060787	ARI 300 STAB 570 THER MO EU	12-2020	-
15	3000405	ARI 300 STAB 560 THER TM EU	09-2015	08-2016
15	3000598	ARI 300 STAB 570 THER TM EU	06-2016	-

Col Reference Model type Begin End



5005
Options
Accessoires
Opzioni
Accessorio

☉⇒	Description	Manf. Pt. N	Type	<div style="display: flex; justify-content: space-between; font-size: small;"> 200 L STEA250 L STEA300 L STEA200 L THER250 L THER300 L THER200 L STEA - EU250 L STEA - EU300 L STEA - EU200 L STEA TM - EU250 L THER - MO-EU-UAE300 L THER - MO - EU300 L THER - TM - EU </div>																		From	to
				1	2	3	4	5	6	7	8	9	10	11	12	13	14	15	16	17	18		
0001	CERAMIC RESISTANCE 3000W 230V/380V	396010-01		•	•	•														09/13	08/13		
	CERAMIC RESISTANCE 3000W 230V/380V	60003127		•	•	•					•	•	•	•									
	HEATING ELEMENT 3000W 230V	60002701										•		•	•								
	HEATING ELEMENT 3000W 230V	60002709-01											•				•						
	HEATING ELEMENT 3000W 380V	60003309					•	•	•														
0002	FLANGE STEATITE D.105	60002696-01									•	•	•	•									
	FLANGE WITH ANODE	396037		•	•	•															03/12		
	FLANGE WITH ANODE	60001842		•	•	•														04/12	08/13		
	FLANGE WITH ANODE	60002197		•	•	•														09/13			
0003	THERMOSTAT	992162		•	•	•															03/12		
	THERMOSTAT	992162					•	•	•														
	THERMOSTAT (TBS PLUS 300 16A)	65101286										•		•	•								
	THERMOSTAT L:450	60001544									•	•	•										
	THERMOSTAT L:450	60001841		•	•	•														04/12			
	THERMOSTAT L:450	60002577										•		•			•						
0006	FIXING BRACKET	60072531		•	•	•					•	•	•	•						04/12			
0007	PLASTIC SEPARATOR	926084		•	•	•															03/12		
	THERMOSTAT SUPPORT	60001560									•	•	•										
0009	COPPER PLATE (X2) + CONNECT. (X3) (Kit)	60000696											•										
0013	CABLE (PURPLE)+PLATE CONNECTION	61401781		•	•	•							•										
	LEAD	61401780		•	•	•					•	•	•	•									
	LEAD (BROWM)	61401779		•	•	•					•	•	•	•									
	WIRING (PURPLE) 2,5X100 (FASTON-FASTON)	925075					•	•	•														
0015	WIRE PIN BRACKET	60002702									•	•	•	•	•	•							
	WIRE PIN BRACKET	926124		•	•	•	•	•	•														
0019	PILOT LIGHT	60000802				•					•	•	•	•									
0022	SAFETY VALVE (3/4" 6,5 BAR)	60001310										•	•		•								
0023	ANODE D:21,3 L:430 M5-M8	61402252-01		•	•	•															03/12		
	ANODE D:21,3 L:430 M5-M8	61402252-01									•	•	•	•		•							
	ANODE D:25.5 L:440 M8	60000797					•	•	•														
	ANODE D:25.5 L:440 M8	60000797		•	•	•														09/13			
	ANODE D:32,8 L:287 M8	61005400										•		•	•								
	ANODE D:33 L:350 M8	61314319		•	•	•														04/12	08/13		
0030	SCREW M8X14 (6 PCES)	60000681										•	•	•	•	•							
	SCREW M8X14 (6 PCES)	60000681		•	•	•					•	•	•	•						04/12			
	SCREW M8X20	918064		•	•	•															03/12		
	SCREW M8X20	918064					•	•	•														
0031	NUT M8	918004		•	•	•															03/12		
	NUT M8	918004					•	•	•														
0033	FLANGE GASKET Ø105	60002699	TYPE A									•		•	•								
	FLANGE GASKET D121,7 X 105 X 11,5	60000682	TYPE C								•	•	•										
	FLANGE GASKET D121,7 X 105 X 11,5	60000682	TYPE C	•	•	•														04/12			
	FLANGE GASKET WITH 5 HOLES	60003308		•	•	•															03/12		
	FLANGE GASKET WITH 5 HOLES	60003308					•	•	•														
	FLANGE GASKET Ø 105	60000687	TYPE B									•		•	•								
	FLANGE GASKET Ø 105	60002697	TYPE D								•	•	•	•		•							
	FLANGE GASKET Ø 105	60002697	TYPE E								•	•	•	•		•							
0040	COVER	60000941									•												
	COVER	60000948				•																	
	COVER	60002693		•	•		•	•															
	PLASTIC COVER	60002703									•	•	•	•	•	•							
0051	SUPPORT D:505-560	60000803		•	•	•	•	•	•		•	•	•	•	•	•							
	SUPPORT D:570	60002411		•	•	•	•	•	•		•	•	•	•	•	•							
0053	DIELECTRIC FITTINGS 3/4"	65118634		•	•	•					•	•	•	•		•							
0054	WIRING 2,5 X 160 (FASTON - FASTON)	925025					•	•	•					•									
5000	ACCESSORIES																						
5005	KIT INSULATING JACKET M50	60002846	D:570								•	•			•	•							

LIST OF THE ABBREVIATIONS

HW	: Hot water.
CW	: Cold water.
C	: Ceramic resistance (normal heating).
Ca	: Ceramic resistance (accelerated heating)
TP	: Immersion heater.
1F	: With fittings.
2F	: Without fittings.
3F	: With fittings and another outlet connection.
AMI	: With mixing valve.
SMI	: Without mixing valve.
PUISS	: Power of th appliance.
PN	: Appliance with normal pression.
LP	: Appliance with low pression.
PV	: Appliance with variable power.
PF	: Appliance with fixed power.

IDENTIFICATION PLATE

SERIAL NUMBER

9 Characters :	07 91 00301 (from 01/77 to 12/92)	
Month of manufacture	07	Sequential number
Year of manufacture	91	
10 Characters :	95 01 065004 (from 01/93 to 06/95)	
Year of manufacture	95	Sequential number
	01	Month of manufacture
OU		
10 Characters :	01 95 065004 (from 07/95)	
Month of manufacture	01	Sequential number
	95	Year of manufacture
12 Characters :	924 2 3 134 0115	
Product reference	924	Sequential number
Year of manufacture	2	Manufacturing day
	3	
	134	
	0115	
15 ou 16 Characters :	(0)03 070 0001 893077 (from 01/97 to 01/05)	
Year of manufacture	(0)03	Product reference
Day of manufacture	070	Sequential number
OU		
16 Characters :	05 070 0001 0000000 (from 02/05)	
Year of manufacture	05	Product reference
Day of manufacture	070	Sequential number
	0001	
	0000000	
17 Characters :	07 070 00315 3070107	
Year of manufacture	07	Product reference
	070	Sequential number
	00315	Manufacturing day (70)
	3070107	
21 Characters :	3000115 XX 08115 0000001	
Product reference	3000115	Sequential number
	XX	Year (08) / Manufacturing day (115)
	08115	
	0000001	
22 Characters :	3000115 XX 070416 0000001	
Product reference	3000115	Sequential number
	XX	Year (07) / Month (04) / Manufacturing day (16)
	070416	
	0000001	

The indications mentioned on the prices, commercial or technical literature and the scheme are written for your guidance and are available at a given time. The CONSTRUCTOR retains the power to modify the presentation, the form, the size, the conception or the material of the products.