

SPARE PARTS EXPLODED VIEW
STORAGE ELECTRIC WATER HEATERS

Model

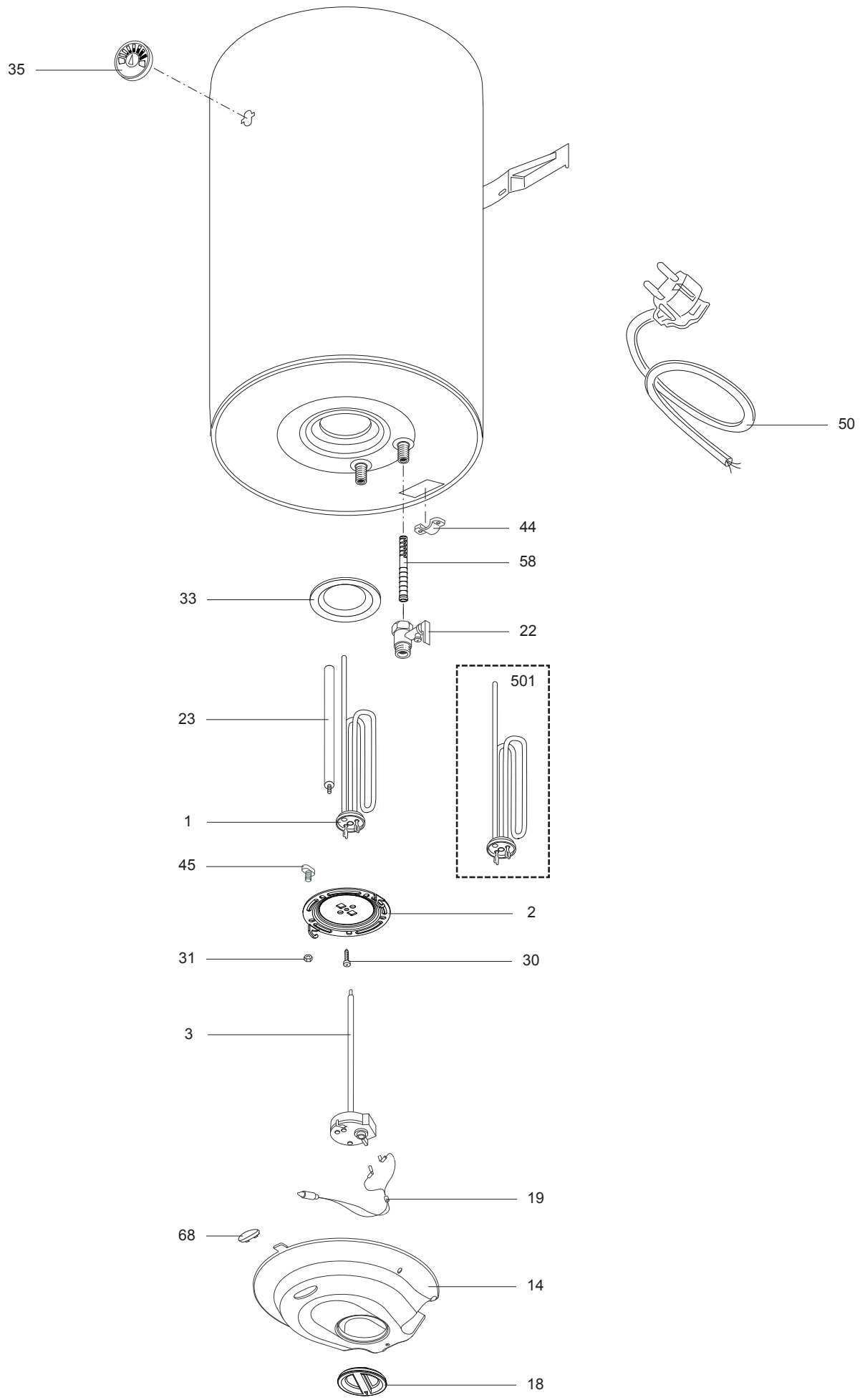
NTS 1,5K (RE)

R8216922-02 - 09/04/2014

NTS 1,5K (RE)

Storage Electric Water Heaters

1	3700359	NTS 50V 1,5K (RE)	03-2013	-
2	3700360	NTS 80V 1,5K (RE)	03-2013	-
3	3700361	NTS 100V 1,5K (RE)	03-2013	-
Col	Reference	Model type	Begin	End



☉⇒	Description	Manf. Pt. N	Type																			
				1	2	3	4	5	6	7	8	9	10	11	12	13	14	15	16	17	18	From
0001	НАГРЕВАТЕЛЬНЫЙ ЭЛЕМЕНТ 1500W 220-240V	65111790		•	•	•																
0002	ФЛАНЕЦ НА 5 БОЛТАХ	65111789-RU		•	•	•																
0003	ТЕРМОСТАТ	691217-RU		•	•	•																
0014	КРЫШКА ПЛАСТИКОВАЯ	65180092		•	•	•																
0018	РУЧКА РЕГУЛИРОВАНИЯ	65180093		•	•	•																
0019	ИНДИКАТОРНАЯ ЛАМПА	993025-RU		•	•	•																
0022	ПРЕДОХРАНИТЕЛЬНЫЙ КЛАПАН (1/2" 8,5 БАР)	571730-RU		•	•	•																
0023	МАГНИЕВЫЙ АНОД D:21.3 L:230 M5	993014-RU		•	•	•																
0030	ВИНТ М6Х12	993000		•	•	•																
0031	ГАЙКА М6	994140		•	•	•																
0033	ПРОКЛАДКА ФЛАНЦА	65111788-RU		•	•	•																
0035	ТЕРМОМЕТР	573427		•	•	•																
0044	ЗАЖИМ ДЛЯ КАБЕЛЯ	573266		•	•	•																
0045	ВИНТ М6Х20	65151225		•	•	•																
0050	КАБЕЛЬ ПИТАНИЯ	993199		•	•	•																
0058	РАССЕКАТЕЛЬ ВОДЫ (1/2" Н=72)	65113698		•	•	•																
0068	КРЫШКА ИНДИКАТОРНОЙ ЛАМПЫ	571767		•	•	•																
0500	АКСЕССУАРЫ																					
0501	НАГРЕВАТЕЛЬНЫЙ ЭЛЕМЕНТ 1500W 220-240V	65114097		•	•	•																

NTS 1,5K (RE)

Storage Electric Water Heaters

LIST OF THE ABBREVIATIONS

HW	: Hot water.
CW	: Cold water.
C	: Ceramic resistance (normal heating).
Ca	: Ceramic resistance (accelerated heating)
TP	: Immersion heater.
1F	: With fittings.
2F	: Without fittings.
3F	: With fittings and another outlet connection.
AMI	: With mixing valve.
SMI	: Without mixing valve.
PUISS	: Power of th appliance.
PN	: Appliance with normal pression.
LP	: Appliance with low pression.
PV	: Appliance with variable power.
PF	: Appliance with fixed power.

IDENTIFICATION PLATE

SERIAL NUMBER

6 Characters :	03 09 08		
Year of manufacture		Manufacturing day	Month of manufacture
9 Characters :	M 12 10 0606		
Year of manufacture		Sequential number	
Month of manufacture			
14 Characters :	SI-V-0B0 45 07 0001		
		Sequential number	
		Year of manufacture :	6 → 2004
		Month of manufacture :	25 → January 43 → July 7 → 2005
			13 → February 29 → August 8 → 2006
			32 → March 40 → September etc ...
			35 → April 38 → October
			39 → May 51 → November
			45 → June 12 → December
15 Characters :	02 11 00001 007843		
Year of manufacture		Code appareil	
Month of manufacture		Sequential number	
21 Characters :	3200050 XX 08115 0000001		
Product reference		Sequential number	
		Year (08) / Manufacturing day (115)	
22 Characters :	3200050 XX 070115 0000001		
Product reference		Sequential number	
		Year (07) / Month (01) / Manufacturing day (15)	

The indications mentioned on the prices, commercial or technical literature and the scheme are written for your guidance and are available at a given time. The CONSTRUCTOR retains the power to modify the presentation, the form, the size, the conception or the material of the products. i.