

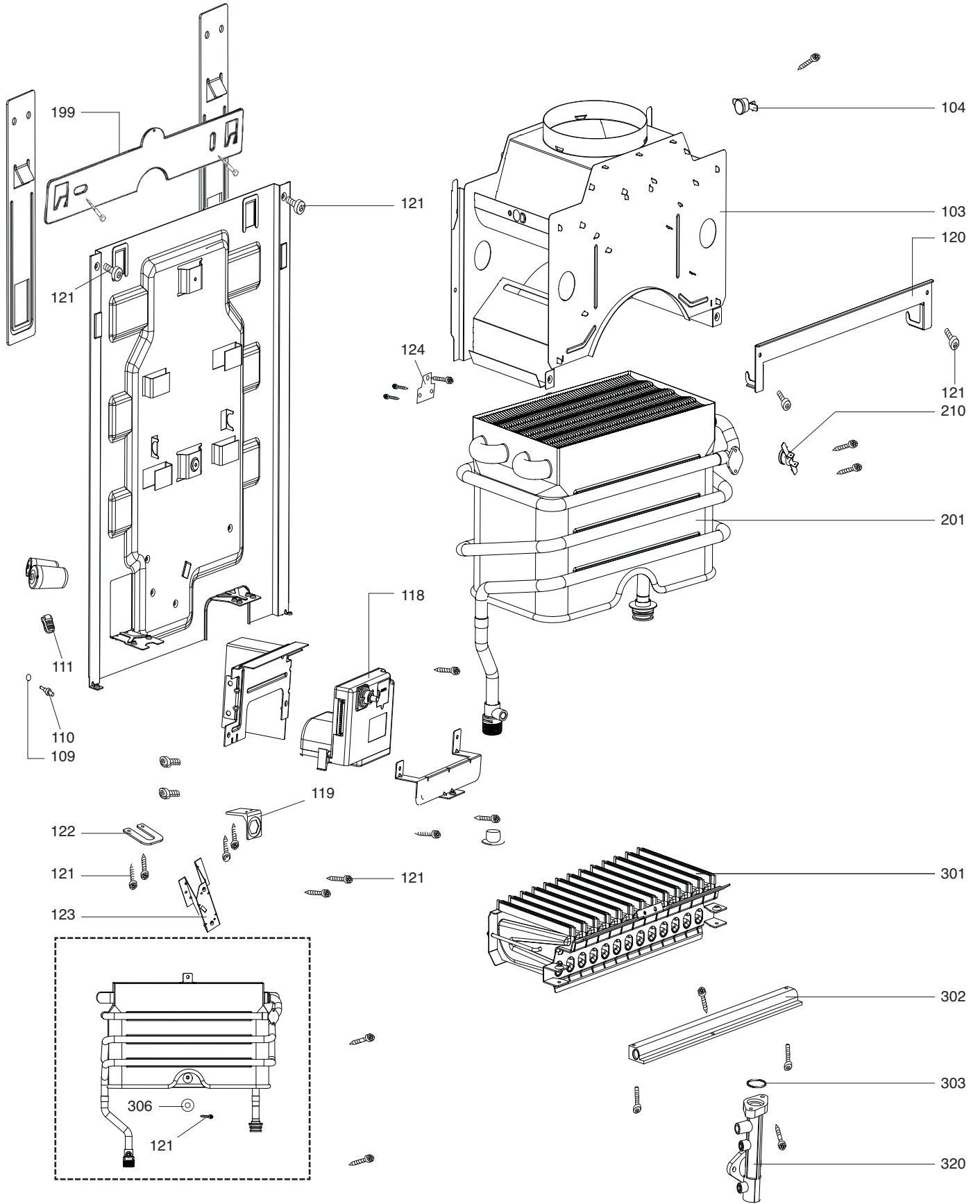


ARISTON

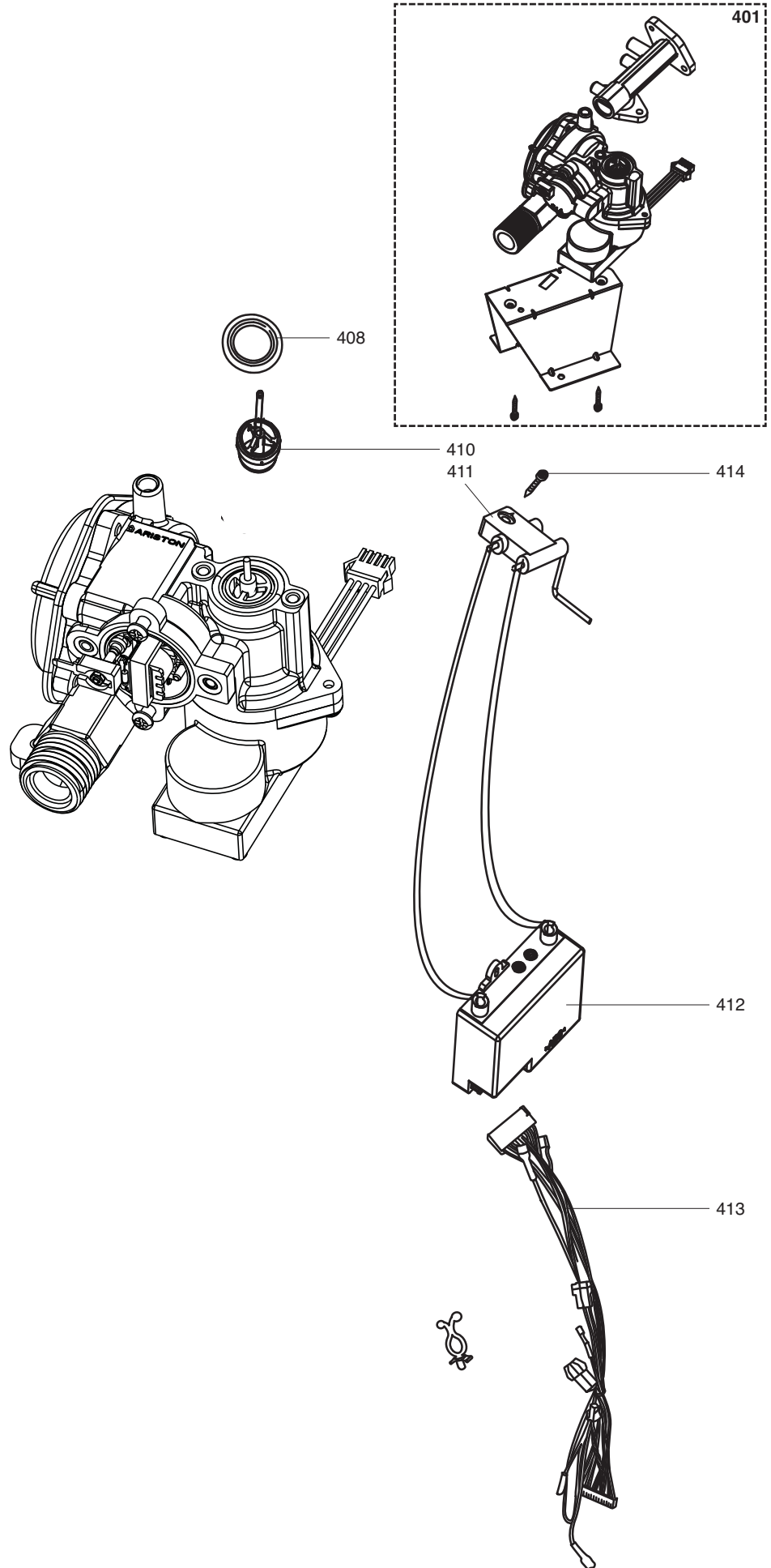
# SPARE PARTS EXPLODED VIEW INSTANTANEOUS GAS WATER HEATERS Model **FAST EVO ONT C**

R8216962-07 - 14/12/2021

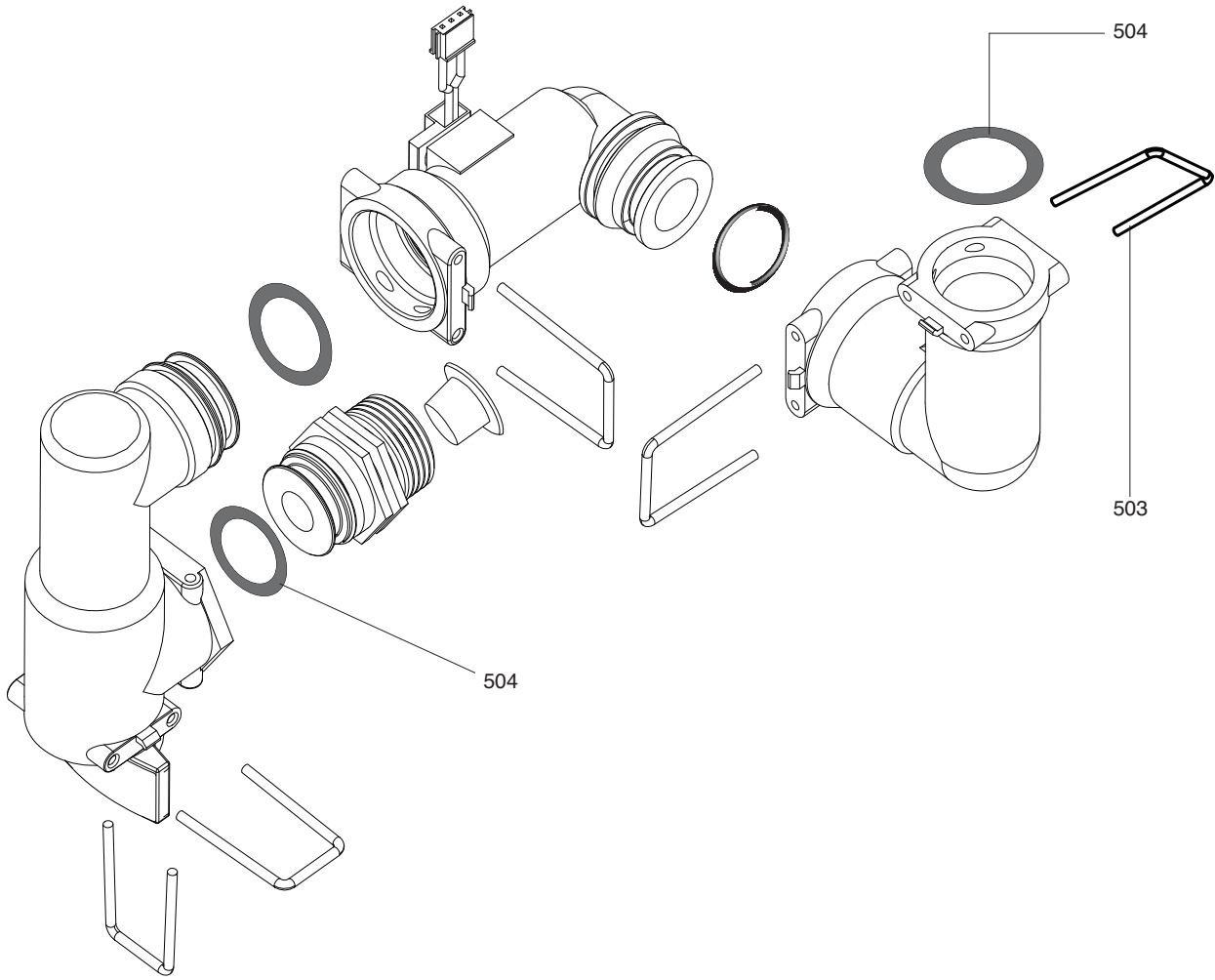
1	3632074	FAST EVO ONT C 11 NG	09-2013	03-2015
1	3632098	FAST EVO ONT C 11 NG PIB-BE	09-2013	11-2015
2	3632099	FAST EVO ONT C 11 LPG PIB-BE	09-2013	11-2015
2	3632101	FAST EVO ONT C 11 LPG	09-2013	11-2015
3	3632110	FAST EVO ONT C 14 NG FR	10-2013	11-2015
3	3632119	FAST EVO ONT C 14 NG PIB-BE	10-2014	12-2014
4	3632100	FAST EVO ONT C 14 LPG PIB-BE	09-2013	03-2015
4	3632109	FAST EVO ONT C 14 LPG FR	10-2013	11-2015
5	3632076	FAST EVO ONT C 16 NG	09-2013	03-2015
6	3632102	FAST EVO ONT C 16 LPG	10-2013	03-2015
7	3632128	FAST EVO ONT C 11 NG RU	05-2014	-
8	3632129	FAST EVO ONT C 14 NG RU	05-2014	-
Col	Reference	Model type	Begin	End



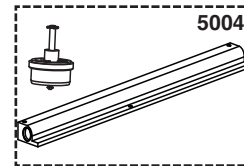
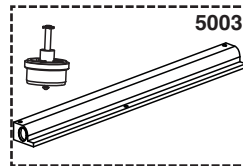
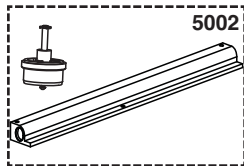
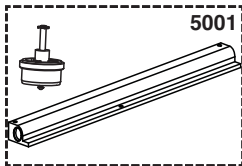
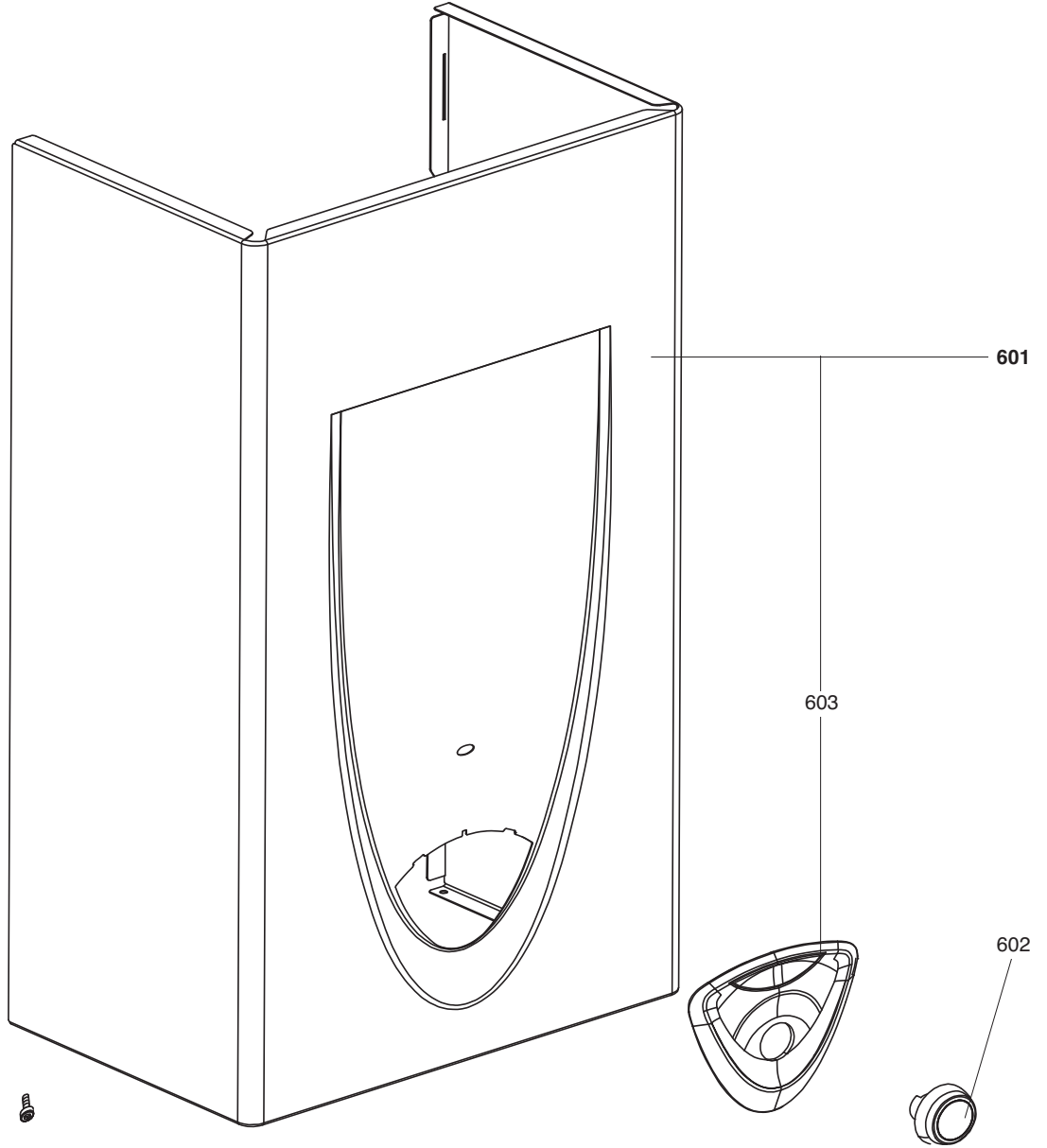
☺⇒	Description	Manf. Pt. N	Type																				
				1	2	3	4	5	6	7	8	9	10	11	12	13	14	15	16	17	18	From	to
<b>0100 CHASSIS</b>																							
0103	11L NEW FAST EXHAUST HOOD	65154102		●	●					●													
	16L NEW FAST EXHAUST HOOD	65154103							●	●													
	FLUE HOOD 14L	65152066				●	●							●									
0104	OVERHEAT THERMOSTAT 140°C	65152715		●	●	●	●				●	●											
	THERMOSTAT (SAFETY - 105°C)	65152115							●	●													
0109	O-RING 3.75X1.8 (10 PCS)	65158146		●	●	●	●	●	●	●	●	●	●	●	●	●	●	●	●	●	●		
0110	TEMPERATURE SENSOR	977227		●	●	●	●	●	●	●	●	●	●	●	●	●	●	●	●	●	●		
0111	NUT (TEMPERATUR SENSOR)	65152079		●	●	●	●	●	●	●	●	●	●	●	●	●	●	●	●	●	●		
0118	P.C.B. (MAIN)	65152195		●	●	●	●	●	●	●	●	●	●	●	●	●	●	●	●	●	●		
0119	BRACKET (PIPE, INLET-11L)	65152080		●	●						●												
	BRACKET (PIPE, INLET-14L,16L)	65152152				●	●	●	●	●				●									
0120	FIXING BRACKET (HOOD, 11L)	65152084		●	●						●												
	FIXING BRACKET (HOOD, 14L)	65152089				●	●							●									
	FIXING BRACKET (HOOD, 16L)	65152119							●	●													
0121	TAPPING SCREW CBLX D4,2X9,5	61010125		●	●	●	●	●	●	●	●	●	●	●	●	●	●	●	●	●	●		
0122	BRACKET (PIPE, OUTLET)	65152081		●	●	●	●	●	●	●	●	●	●	●	●	●	●	●	●	●	●		
0123	GAS VALVE BRACKET	65152082		●	●	●	●	●	●	●	●	●	●	●	●	●	●	●	●	●	●		
	GAS VALVE BRACKET	65152120							●	●													
0124	BRACKET (EXCHANGER)	65152083		●	●	●	●	●	●	●	●	●	●	●	●	●	●	●	●	●	●		
0199	HOOKING BRACKET	61007192		●	●	●	●	●	●	●	●	●	●	●	●	●	●	●	●	●	●		
<b>0200 MIXING BATTERY</b>																							
0201	HEAT EXCHANGER	65152654		●	●						●												
	HEAT EXCHANGER	65152655				●	●							●									
	HEAT EXCHANGER	65152656							●	●													
0210	OVERHEAT THERMOSTAT 85°C	65152049		●	●	●	●	●	●	●	●	●	●	●	●	●	●	●	●	●	●		
<b>0300 BURNER ASSEMBLY</b>																							
0301	BURNER	65152051		●	●						●												
	BURNER	65153114				●	●							●									
	MAIN BURNER	65152111							●	●													
0302	GAS MANIFOLD (11L-G20)	65152052		●																			
	GAS MANIFOLD (11L-G20)	65152479												●									
	GAS MANIFOLD (11L-G30/G31)	65152108				●																	
	GAS MANIFOLD (14L-G20)	65152070					●																
	GAS MANIFOLD (14L-G20) RUSSIA	65152478																		●			
	GAS MANIFOLD (14L-G30/G31)	65152110						●															
	GAS MANIFOLD (16L-G20)	65152112								●													
	GAS MANIFOLD (16L-G30/G31)	65152126									●												
0303	O-RING	65152055		●	●	●	●	●	●	●	●	●	●	●	●	●	●	●	●	●	●		
0306	WASHER	65152050		●	●	●	●	●	●	●	●	●	●	●	●	●	●	●	●	●	●		
0320	GAS PIPE	65152053		●	●	●	●				●	●											
	GAS PIPE	65152113								●	●												



	Description	Manf. Pt. N	Type	<div style="position: absolute; top: -20px; left: 50%; transform: translate(-50%, -50%); border: 1px solid black; background: white; padding: 2px;"> <i>11L NG</i> <i>11L LPG</i> <i>14L NG</i> <i>14L LPG</i> <i>16L NG</i> <i>16L LPG</i> <i>11L NG RU</i> <i>14L NG RU</i> </div>																		From	to		
				1	2	3	4	5	6	7	8	9	10	11	12	13	14	15	16	17	18				
<b>0400 GAS SECTION</b>																									
0401	GAS VALVE (14L-NG RUSSIA)	65152275																							
	GAS VALVE (LPG)	65152125																							
	GAS VALVE NG	65152054																							
0408	GASKET (DIAPHRAGM)	65152541																							
0410	GAS DIAPHRAGM (A)	65152056																							
	GAS DIAPHRAGM (C)	65152109																							
0411	IGNITION ELECTRODE (double)	65152497																							
	IGNITION ELECTRODE (double)	65152551																							
0412	IGNITOR	65152058																							
0413	CABLE	65152198																							
0414	TAPPING SCREW CBLXS D4,2X9,5	61010125																							



☉➔	Description	Manf. Pt. N	Type									31																			
				17 L NG	17 L LPG	14 L NG	14 L LPG	16 L NG	16 L LPG	11 L NG RU	14 L NG RU	1	2	3	4	5	6	7	8	9	10	11	12	13	14	15	16	17	18	From	to
0500	WATER SECTION ASSY																														
0501	WATER FLOW SENSOR (VERTICAL)	65153522-01		●	●	●	●	●	●	●	●	●																			
0502	CLIP	65152061		●	●	●	●	●	●	●	●	●																			
0503	CLIP	65152062		●	●	●	●	●	●	●	●	●																			
0504	O-RING 12.3X2.4	60024164-47		●	●	●	●	●	●	●	●	●																			





☉⇒	Description	Manf. Pt. N	Type																			From	to						
				11L NG	11L LPG	14L NG	14L LPG	16L NG	16L LPG	11L NG RU	14L NG RU	1	2	3	4	5	6	7	8	9	10			11	12	13	14	15	16
<b>0600</b>	<b>FRONT CASE</b>																												
0601	CASE PANEL (FRONT)	65152201		●	●											●													
	CASE PANEL (FRONT)	65152202								●	●																		
	CASE PANEL (FRONT)	65152203				●	●										●												
0603	BASIC PLASTIC PANEL (AR)	65152196		●	●	●	●	●	●	●	●	●	●	●	●														
0604	TRANSFORMER	65152197		●	●	●	●	●	●	●	●	●	●	●	●														
0605	DISPLAY CABLE	65152199		●	●	●	●	●	●	●	●	●	●	●	●														
0606	P.C.B. (DISPLAY)	65153782		●	●	●	●	●	●	●	●	●	●	●	●														
<b>5000</b>	<b>ACCESSORIES</b>																												
5001	GAS BURNER JET FULL KIT (11L-G30/G31)	65152073		●												●													
	GAS BURNER JET FULL KIT (G30/G31-16L)	65152088								●																			
	GAS BURNER JET FULL KIT G20 16L	65152087										●																	
5002	GAS BURNER JET FULL KIT (G20-14L)	65152086				●	●																						
	GAS BURNER JET FULL KIT G20 11L	65152076			●																								
5003	GAS BURNER JET FULL KIT (G25.1/G27-11L)	65152075		●												●													
5004	GAS BURNER JET FULL KIT (G230-11L)	65152074		●												●													

## LIST OF THE ABBREVIATIONS

HW .....	: Hot water.
CW .....	: Cold water.
C .....	: Ceramic resistance (normal heating).
Ca .....	: Ceramic resistance (accelerated heating)
TP .....	: Immersion heater.
1F .....	: With fittings.
2F .....	: Without fittings.
3F .....	: With fittings and another outlet connection.
AMI .....	: With mixing valve.
SMI .....	: Without mixing valve.
PUISS .....	: Power of th appliance.
PN .....	: Appliance with normal pression.
LP .....	: Appliance with low pression.
PV .....	: Appliance with variable power.
PF .....	: Appliance with fixed power.

## IDENTIFICATION PLATE

### SERIAL NUMBER

**6 Characters :**  
 Year of manufacture 03 09 08 Manufacturing day  
 Month of manufacture

**9 Characters :**  
 Year of manufacture 5 9 12 0606 Sequential number  
 Month of manufacture

**14 Characters :**  
 SI-V-0B0 45 07 0001  
 Sequential number  
 Year of manufacture : → 6 → 2004  
 Month of manufacture : → 25 → January 43 → July 7 → 2005  
 13 → February 29 → August 8 → 2006  
 32 → March 40 → September etc ...  
 35 → April 38 → October  
 39 → May 51 → November  
 45 → June 12 → December  
 Product model

**14 Characters :**  
 111518 XX 000010  
 Month of manufacture Sequential number  
 Day of manufacture Year of manufacture

**15 Characters :**  
 02 11 00001 007843  
 Year of manufacture Product reference  
 Month of manufacture Sequential number

**21 Characters :**  
 3200050 XX 08115 0000001  
 Product reference Sequential number  
 Year (08) / Manufacturing day (115)

**22 Characters :**  
 3200050 XX 070115 0000001  
 Product reference Sequential number  
 Year (07) / Month (01) / Manufacturing day (15)