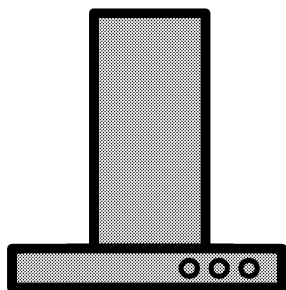


# Cooker hood

User manual



CWB 6410 R

**EN | RU | UK | TR**

185.7300.49/R.AD/20.10.2016/5-1

## Please read this user manual first!

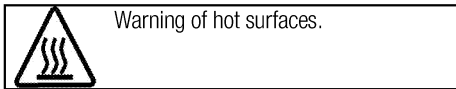
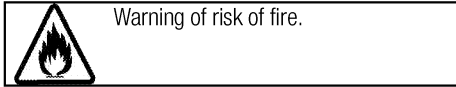
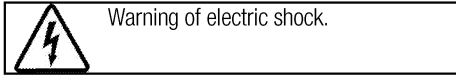
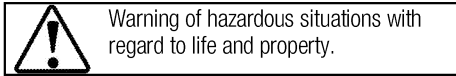
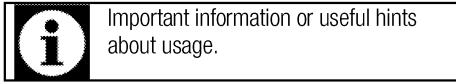
Dear Customer,

Thank you for purchasing this Beko product. We hope that you get the best results from your product which has been manufactured with high quality and state-of-the-art technology. Therefore, please read this entire user manual and all other accompanying documents carefully before using the product and keep it as a reference for future use. If you handover the product to someone else, give the user manual as well. Follow all warnings and information in the user manual.

Remember that this user manual is also applicable for several other models. Differences between models will be identified in the manual.

### Explanation of symbols

Throughout this user manual the following symbols are used:



**Arçelik A.Ş.**  
Karaağaç caddesi No:2-6  
34445 Sütlüce/Istanbul/TURKEY  
Made in TURKEY



This product was manufactured using the latest technology in environmentally friendly conditions.

## TABLE OF CONTENTS

### **1 Important instructions and warnings for safety and environment 4**

General safety .....	4
Electrical safety .....	5
Product safety .....	5
Intended use .....	6
Children's safety .....	7
Disposing of the old product .....	7
Package information .....	7

### **2 General information 8**

Overview .....	8
Scope of delivery .....	9
Technical specifications .....	9

### **3 Installation 10**

Installation .....	10
Future transportation .....	13

### **4 Operating the hood 14**

### **5 Maintenance and care 15**

General information .....	15
Replacing the lamp .....	16

### **6 Troubleshooting 17**

## **1 Important instructions and warnings for safety and environment**

This section contains safety instructions that will help protect from risk of personal injury or property damage. Failure to follow these instructions shall void any warranty.

### **General safety**

- Risk of Toxicating! While the appliance is operating, air in the entire house is sucked. If adequate ventilation is not provided, waste and toxic gasses which are released as a result of burning will be drawn back into the house through chimney draught. Do not operate the appliance together with sources that may emit toxic gasses and create air draught (wood, gas, oil, and coal stoves, water heaters, kettles, etc.).
  - Always have the authorized persons check the adequacy of ventilation and chimney draught in your building.
  - The appliance is not intended for use by persons (including children) with reduced physical, sensory or mental capabilities, or lack of experience and knowledge, unless they have been given supervised or instruction concerning use of the appliance by a responsible person for their safety.
- Young children should be supervised to ensure that they do not play with the appliance. Cleaning and user maintenance procedures should not be performed by the children unless they are under supervision.
- Always have the installation and repair procedures performed by Authorised Service Agent. Manufacturer shall not be held responsible for damages arising from procedures carried out by unauthorised persons.
  - Do not operate the appliance if it is defective or has any visible damage.
  - Make sure that the appliance is switched off after every use.
  - If the product is handed over to someone else for personal use or second-hand use purposes, the user manual, product labels and other relevant documents and parts should be also given.
  - Appliance must be installed by a qualified person in accordance with the regulations in force. Otherwise, the warranty shall become void.

## Electrical safety

- To get your product ready for use, firstly you must have installation place and electric wiring prepared. Later, you may call Authorised Service nearest to you.
- If it has a failure, the product should not be operated without being repaired by the Authorised Service Agent. There is the risk of electric shock!
- Never connect the hood before installation is completed.
- Never touch the plug with wet hands! Do not unplug by pulling from the cable; always hold by the plug to unplug.
- Product must be disconnected from the mains during installation, maintenance, cleaning and repair procedures.
- If the supply cord is damaged, it must be replaced by the manufacturer or its service agent or a similarly qualified person in order to avoid a hazard.
- Never connect power cable near to the hobs. If melted down, cable may lead to fire.
- Any work on electrical equipment and systems may only be carried out by authorised and qualified persons.
- In case of any damage, switch off the product and disconnect it

from the mains. To do this, turn off the fuse at home.

- Make sure that fuse current is compatible with the product.
- Never wash down the product with water! There is the risk of electric shock!

## Product safety

- The height between the lower surface of the hood and upper surface of the hob should not be less than 650 mm.
- Never touch the hood's lamp after they operated for a long time. Hot lamps may burn your hands.
- Never operate the product without oil filter. Never remove filters when the product is in use.
- Avoid big flames beneath the product. Otherwise, particles on oil filter may flame up and cause fire.
- Turn on the hobs after placing pans or pots on. Otherwise, rising temperature may deform certain parts of your product.
- Turn off the hobs before taking away pans or pots.
- Avoid inflammable materials under the hood.
- Do not expose the product to open flames beneath it. It can cause oils accumulated in the filter to catch fire. Do not operate the product without filter.

- Never leave the cooker unattended when frying foods, the oil may flame up and boiled oil may cause fire. Thus, be careful about cloths and curtains.
  - If the hood is not periodically and properly cleaned, this may cause burning risk on your hood.
  - For refreshing the kitchen's air from cooking smells and steams, please turn on your hood for 15 minutes more after cooking or frying has ended.
  - There shall be adequate ventilation of the room when the range hood is used at the same time as appliances burning gas or other fuels. (Not applicable to appliances that only discharge the air back into the room)
  - In the environment where the hood is being used, the exhaust of fuel oil or gas devices such as room heater must be absolutely insulated or device must be hermetical type.
  - If there is a fuel oil or gas device in the environment, the room must be ventilated sufficiently.
  - When a non-electrically operated device is concurrently used in the environment together with the hood, the negative pressure in the room must be maximum 0.4 mbar to avoid the hood's returning other device's exhaust into the room.
  - Never connect the hood to the chimneys used for heaters, waste gas or with rising flames. Observe authorities' regulations on the draining of output air.
  - When connecting to the chimney, use 120-mm diameter pipes. Pipe connection must be as short as possible with fewer bends.
  - Do not hang easily flammable and combustible materials on hood handles.
  - Our company shall never be responsible for the problems arising from the use against the warnings above.
  - There is a risk of fire if cleaning is not carried out in accordance with the instructions.
  - Do not flambé under the range hood.
  - Caution: Accessible parts may become hot when used with a cooking appliance.
  - You are recommended to clean your filter once a month in normal use.
- Intended use**  
This product is designed for domestic use. Commercial use is not admissible.  
The manufacturer shall not be liable for any damage caused by improper use or handling.

## Children's safety

- Keep children away from the product when it is operating and do not allow them to play with the product.
- Packaging materials are dangerous to children. Keep the packaging materials in a place where children cannot reach and sort and discard them in accordance with the waste disposal directives.
- Electrical products are dangerous to children. Keep children away from the product when it is operating and do not allow them to play with the product.

## Disposing of the old product

**Compliance with the WEEE Directive and Disposing of the Waste Product:**



This product complies with EU WEEE Directive (2012/19/EU). This product bears a classification symbol for waste electrical and electronic equipment (WEEE).

This product has been manufactured with high quality parts and materials which can be reused and are suitable for recycling. Do not dispose of the waste product with normal domestic and other wastes at the end of its service life. Take it to the collection center for the recycling of electrical and electronic equipment. Please consult your local authorities to learn about these collection centers.

### **Compliance with RoHS Directive:**

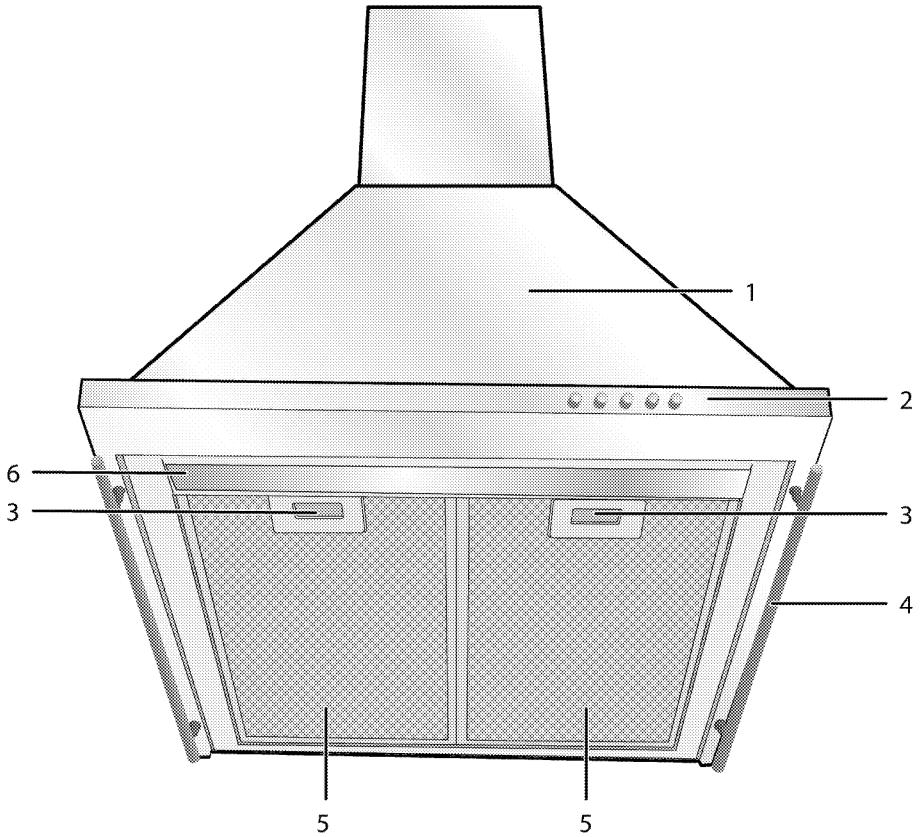
The product you have purchased complies with EU RoHS Directive (2011/65/EU). It does not contain harmful and prohibited materials specified in the Directive.

### **Package information**

- Packaging materials of the product are manufactured from recyclable materials in accordance with our National Environment Regulations. Do not dispose of the packaging materials together with the domestic or other wastes. Take them to the packaging material collection points designated by the local authorities.

## 2 General information

### Overview



- 1 Hood body
- 2 Control panel
- 3 Aluminum filter lock
- 4 Handle
- 5 Aluminum filter
- 6 Lamp

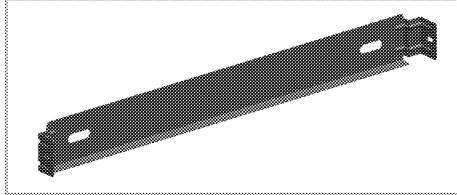


## Scope of delivery

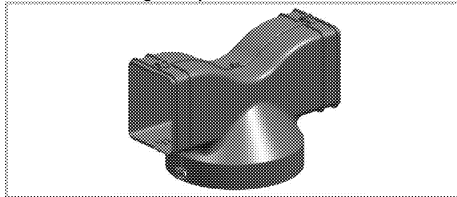


Accessories supplied can vary depending on the appliance model. Not every accessory described in the user manual may exist on your appliance.

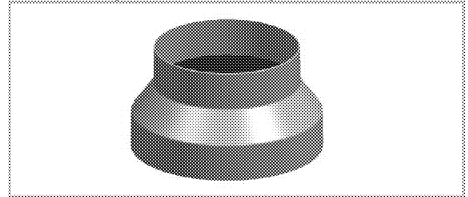
1. User manual
2. Wall connector



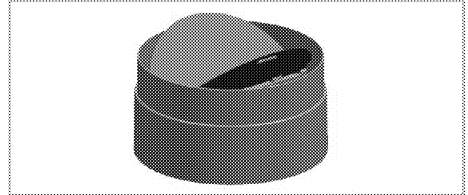
3. Air directing component



4. Chimney connection adapter



5. Valves to prevent reverse air flow



## Technical specifications

External dimensions (height/width/depth)	min.735 mm max. 1130 mm/600 mm/502 mm
Voltage/frequency	220-240 V , 50 Hz
Control	3 level
Suction power	460 m <sup>3</sup> /h
Total power consumption	max. 200 W
Fuse	10 A
Air outlet pipe diameter	120 - 150 mm



Technical specifications may be changed without prior notice to improve the quality of the product.




Figures in this manual are schematic and may not exactly match the product.





Values stated on the markings of the product or in other printed documents supplied with the product are obtained under laboratory conditions as per relevant standards. Depending on operational and environmental conditions of the product, these values may vary.


### 3 Installation

Refer to the nearest Authorised Service Agent for installation of the product. Make sure that the electric installations are in place before calling the Authorised Service Agent to have the product ready for operation. If not, call a qualified electrician and fitter to have the required arrangements made.

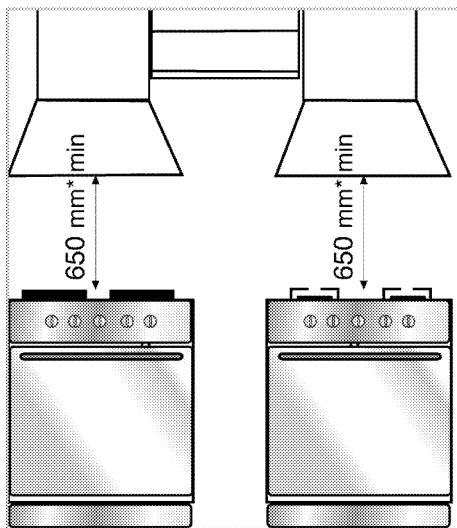
 Preparation of location and electrical installation for the product is under customer's responsibility.

 **DANGER:**  
The product must be installed in accordance with all local electrical regulations.

 **DANGER:**  
Prior to installation, visually check if the product has any defects on it. If so, do not have it installed. Damaged products cause risks for your safety.

 **DANGER:**  
Warning: Failure to install the screws or fixing device in accordance with the instructions may result in electrical hazards.

#### Installation



\* min.

The minimum distance between the supporting surface for the cooking vessels on the hob and the lowest part of the range hood is 65cm.

The exhaust air must not be discharged into a flue which is used for exhausting fumes from other appliances burning gas or other fuels. (Not applicable for appliances which only discharge air back into the room)


Regulations concerning the discharge of air have to be fulfilled.

#### Electrical connection

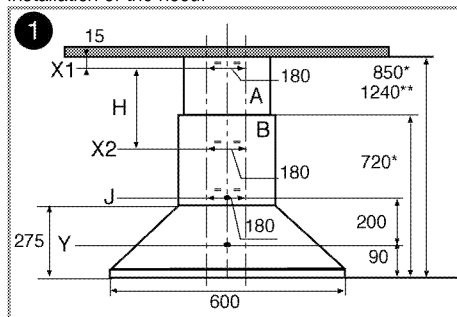
Manufactured with 2-track power cable, this device must be connected to the mains by an electrical switch with at least 3mm clearance between bipolar contact leads. Have a qualified electrician to install electric wiring.

- Install your product to ensure easy access to electricity connection (plug, wall outlet) after installation.

#### Installing the hood

 Dimensions are given in mm.

Information required for the preparation of the installation place for your hood is given below. Hood should be placed as aligned by the central axis of the cooking appliance. Cooking appliance and the hood's oil filters should be at least 650mm away from each other. Perform the following steps for the installation of the hood.

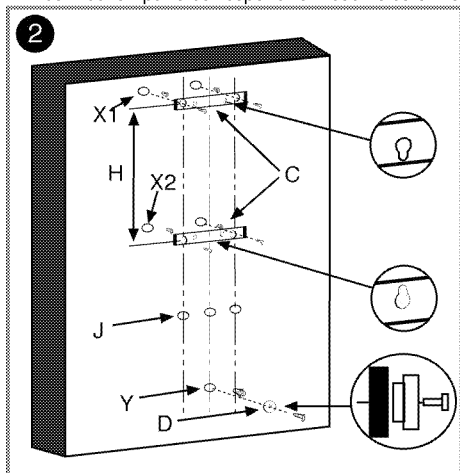


\* min.

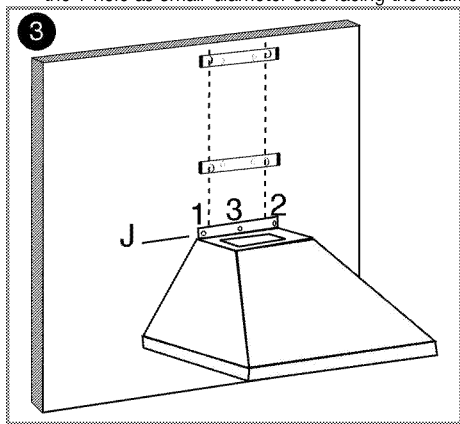
\*\* max.

1. Centering the cooking appliance, draw an axis line on the wall up to 950mm height. Later, draw two parallel lines at 90mm distance on both sides of the axis line reaching to the ceiling. Then, determine hole locations by drawing the lines Y-J-X2 and X1 that cut vertically the axis line, for which measurements are given in Figure 1.

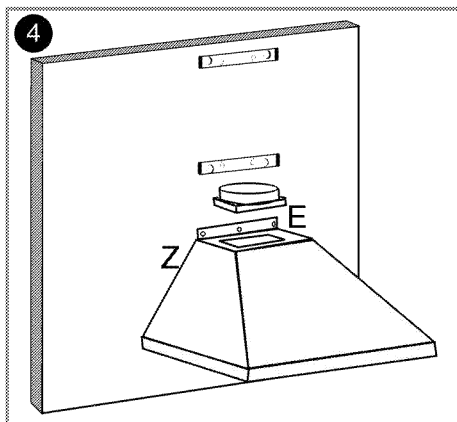
2. Drill eight 8-mm holes on the points X, Y, X2, X1 and place plastic plugs supplied with the packaging. Check whether the holes of the flue connection parts correspond to these holes or not.



3. As shown in Figure 2, fix connectors (C) to the holes X1 and X2 via two fixing screws supplied with the accessories. Screw distance ring (D) on the Y hole as small-diameter side facing the wall.



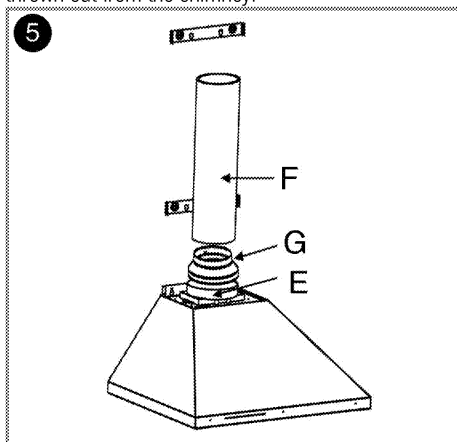
4. Install the hood from the key hole on back plate onto the distance ring and pull downward to make sure that it is secured. Then, screw the body onto the wall from the holes J1 and J2 on the upper back of the body. To avoid the hood falling down accidentally for any reason, screw it also from the hole J3 shown in Figure 3.



5. As shown in Figure 4, place chimney outlet flange (E) to the rectangular outlet on the upper part of the hood; and screw the flange onto the body using 2.9-mm traced screws supplied with accessories.

**6. For chimney connection usage:**

In chimney-connected position, absorbed air will go through oil filters to the outlet and then will reach to the chimney through connection pipes and finally thrown out from the chimney.



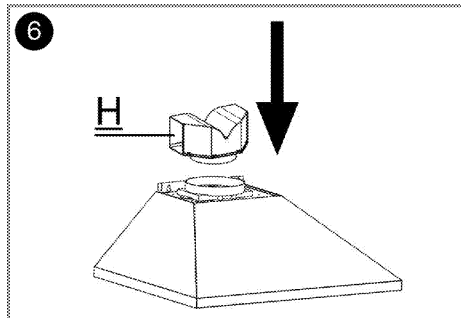
When using this connection position, 150mm to 120 mm E connector should be installed on chimney outlet flange as shown in Figure 5.

Chimney connection pipes must be made of fireproof plastic material. When using flexible connection type, it should be considered that sharp corners and sudden contractions will have a negative impact on air suction. Flue connection should in no way be made to any flue to which another device was already connected for another purpose.

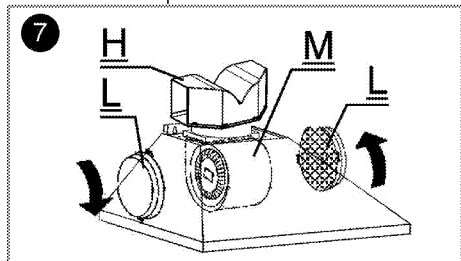
**i** Connection pipe should not be bigger than 120 mm; on the contrary, this application prevents proper chimney connection.

### 7. Internal circulation (Use with carbon filter)

Vacuumed air in the medium in the internal circulation position is delivered back to the medium from over the grills on the flue after it passes through the oil filters, the carbon filters where it is cleaned from odours, and the air deflector.



As shown in Figure 6, air directing component is installed on H point.

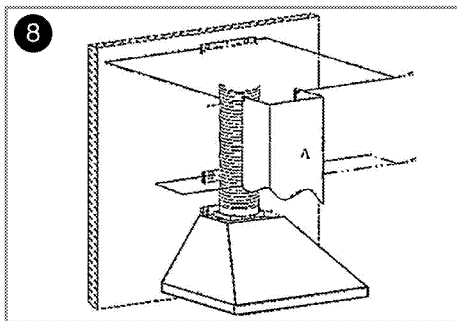


Place ear slots of carbon filters (L) to the ears on motor carrier (M) as shown in Figure 7 and turn anti-clockwise to fix in place. Apply the same procedure for the motor carrier on the other side.

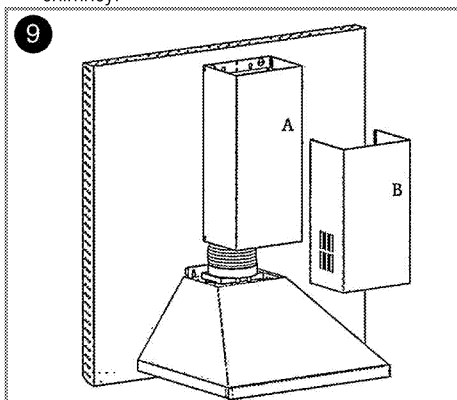
**i** In case of failure to perform cleaning and maintenance of oil filters regularly and when the carbon filter reaches its service life (about 4 months), there is the possibility of causing fire by them.

### 8. Flue installation

To install upper chimney A, secure the upper corners of the chimney on the connection (C) as shown below and screw it onto the connector with 2.9-mm screws.



Distance between the hole X1 and X2 is determined during the installation process depending on the usage length of the upper chimney.



To install lower chimney B, stretch the chimney by pulling slightly from both sides and secure it onto upper chimney's slots as shown in the above figure.

### You can use your hood in two ways:

#### 1- Chimney-connected use

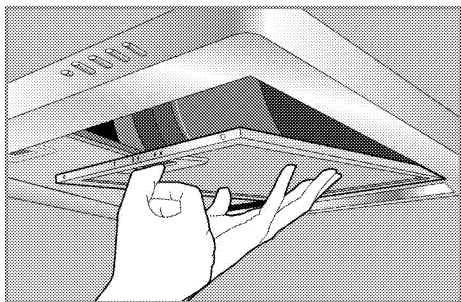
Vapors are discharged with the flue pipe secured on the connection ring on the hood. Diameter of the flue pipe should be equal to the diameter of connection ring. To allow the air easily going out of the room in horizontal arrangements, the pipe should be slightly tilted upwards (approximately 10°).

**i** Carbon filter should be removed if it is installed in the hood.

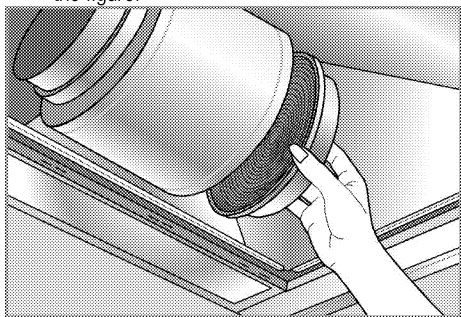
#### 2- Use with no chimney connection

Air is filtered by the carbon filter and returned to the room. Carbon filter is used when there is no flue available in the house or when it is not possible to install the flue pipe.

- Remove aluminum filters as shown below.



- To install the carbon filter, center the carbon filter on the plastic part on both sides of the fan body, and secure it on the tabs.
- Tighten by turning it to right and left as shown in the figure.



- Reinstall the aluminum filters.

## Future transportation

- Keep the product's original carton and transport the product in it. Follow the instructions on the carton. If you do not have the original carton, pack the product in bubble wrap or thick cardboard and tape it securely.



Do not place any objects onto the product and move it in upright position.



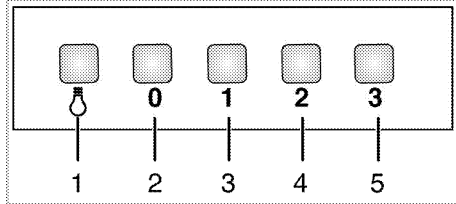
Check the general appearance of your product for any damages that might have occurred during transportation.

## 4 Operating the hood

Hood is equipped with a motor with various speed settings.

For a better performance, we advise you to use low speeds in normal conditions, and high speeds when smell and vapors are intensified.

### Operating the hood



- 1 Lamp button
- 2 Off button
- 3 Speed1
- 4 Speed2
- 5 Speed3

1. Press on relevant button for the speed you want to operate the hood.



Never press on two buttons at the same time. If pressed, higher speed will be activated.

### Turning off the hood

1. Press on the Off button when the hood is operating in a certain speed.

### Operating the lamp

1. Press on the lamp button to operate the lamp.

### Turning off the lamp

1. Press on the lamp button again to turn off the lamp.



Off button do not turn off the lamp, it only stops operation of the hood.

## 5 Maintenance and care

### General information

Service life of the product will extend and frequent problems will decrease if the product is cleaned at regular intervals.



#### DANGER:

Disconnect the product from mains supply before starting maintenance and cleaning works.

There is the risk of electric shock!

- Clean the product thoroughly after each use. In this way it will be possible to remove cooking residues more easily, thus avoiding these from burning the next time the appliance is used.
- No special cleaning agents are required for cleaning the product. Use warm water with washing liquid, a soft cloth or sponge to clean the product and wipe it with a dry cloth.
- Do not use cleaning agents that contain acid or chloride to clean the stainless or inox surfaces and the handle. Use a soft cloth with a liquid detergent (not abrasive) to wipe those parts clean, paying attention to sweep in one direction.



The surface might get damaged by some detergents or cleaning materials.

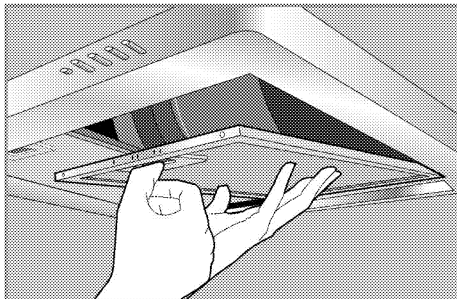
Do not use aggressive detergents, cleaning powders/creams or any sharp objects during cleaning.



Do not use steam cleaners for cleaning.

### Aluminum filter

This filter captures oil particles in the air. **You are recommended to clean your filter once a month in normal use.** Please firstly remove aluminum filters for this process. Wash the filters in liquid-detergent water and install them after drying. Aluminum filters might change colour in time due to washing. This is normal and you don't need to replace the filter.



You can also wash aluminum filters in dishwasher.

### Removing aluminum filters

1. Push aluminum filter lock forward.
2. Slightly lower the filter and pull forth. Otherwise, you may bend the filter.
3. After washing, reverse the steps above to re-install the aluminum filter.

### Carbon filter (Use without chimney)

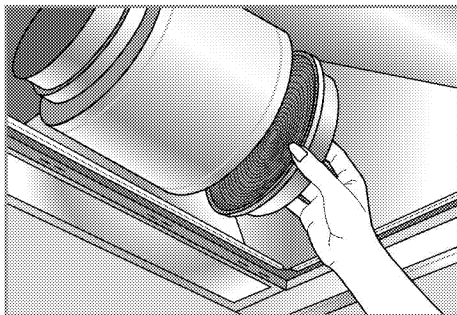


Carbon filter should never be washed.

It should be replaced once every 4 months in normal use. You may obtain carbon filters from the Authorised Service.

### Removing carbon filters

1. Remove aluminum filters
2. To remove carbon filter, turn it to release from the tab.



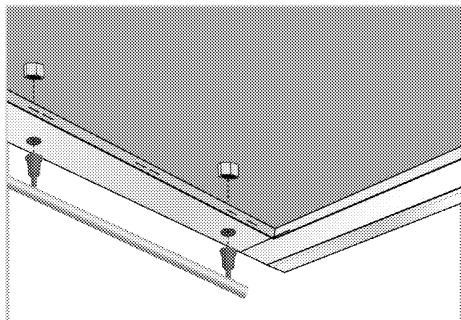
3. Install the new carbon filter.
4. Re-install aluminum filters.



You may cause fire if you do not observe the rules regarding the cleaning and replacing hood filters.

### Removing the hood handle

1. Remove the aluminum filters pushing their locks.
2. Loosen the nuts from within the hood found at the same level with the handles.



3. Fix the handles again using nuts from within the hood.
4. Re-install aluminum filters.



In countries where service support is found, handles will be installed by the service.

### Replacing the lamp



#### **DANGER:**

Before replacing the lamp, make sure that the product is disconnected from mains in order to avoid the risk of an electrical shock. If hot, let the lamp cool down.  
Hot surfaces may cause burns!



For the specifications of the lamp, see *Technical specifications, page 9*. Oven lamps can be obtained from Authorised Service Agents.

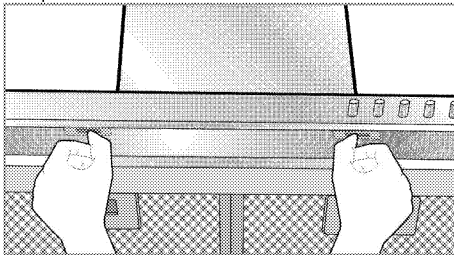


Position of lamp might vary from the figure.



The lamp used in this appliance is not suitable for household room illumination. The intended purpose of this lamp is to assist the user to see foodstuffs.

1. Push lamp tabs forward to remove lamp plastic part as shown.



2. Replace the lamps.
3. Place the lamp plastic part in the same slot and secure plastic tabs. The plastic part will be seated with a "click" sound.



## 6 Troubleshooting

### **Product does not operate.**

- The mains fuse is defective or has tripped. >>> *Check fuses in the fuse box. If necessary, replace or reset them.*
- Product is not plugged into the socket. >>> *Check the plug connection.*
- Speed button might not be set. >>> *Press the required speed button.*
- Power is cut. >>> *Check if there is power. Check the fuses in the fuse box. If necessary, replace or reset the fuses.*

### **Hood light does not work.**

- Hood lamp is defective. >>> *Replace the hood lamp.*
- Power is cut. >>> *Check if there is power. Check the fuses in the fuse box. If necessary, replace or reset the fuses.*



Consult the Authorised Service Agent or the dealer where you have purchased the product if you cannot remedy the trouble although you have implemented the instructions in this section. Never attempt to repair a defective product yourself.

Arcelik A.S.

Karaağaç Caddesi No:2-6 Sütlüce, 34445, Turkey

Made in TURKEY

Importer in Russia: «BEKO LLC»

Address: Selskaya street, 49, Fedorovskoe village, Pershinskoe rural settlement, Kirzhach district, Vladimir region, Russian Federation 601021

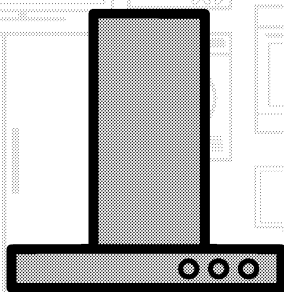
The manufacture date is included in the serial number of a product specified on rating label, which is located on a product, namely: first two figures of serial number indicate the year of manufacture, and last two – the month. For example, "10- 100001-05» indicates that the product was produced in May, 2010.

You can ask for certification number from our Call Center 8-800-200-23-56 The manufacturer reserves the right for making changes in modification, design and specification of an electric device.



# Воздухоочистителя

## Руководство пользователя



RU

**beko**

## Перед началом эксплуатации прочитайте это руководство пользователя!

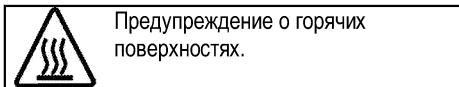
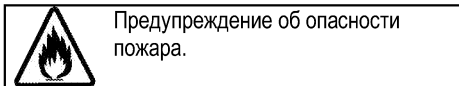
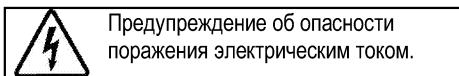
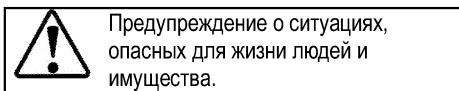
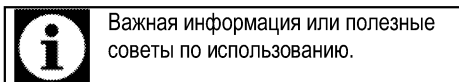
Уважаемый покупатель!

Спасибо за то, что отдали предпочтение продукции компании «Веко». Надеемся, что это высококачественное изделие, изготовленное с применением самых современных технологий, будет демонстрировать наилучшие результаты эксплуатации. Для этого перед началом эксплуатации внимательно прочитайте это руководство и всю сопутствующую документацию и используйте его в дальнейшем в качестве справочника. Если вы передаете изделие новому владельцу, передайте ему и руководство пользователя. Придерживайтесь всех предупреждений и информации, содержащихся в руководстве.

Помните, что данное руководство пользователя также может быть применимо к некоторым другим моделям. Различия между моделями будут указаны в руководстве.

### Пояснения к символам

В данном руководстве пользователя используются следующие символы:



<b><u>1</u> Важные инструкции и предупреждения по технике безопасности и охране окружающей среды</b>	<b>4</b>
Общие правила безопасности .....	4
Электробезопасность .....	5
Безопасность изделия .....	6
Использование по назначению .....	8
Безопасность детей .....	8
Утилизация старого изделия .....	8
Утилизация упаковочных материалов .....	8
<b><u>2</u> Общие сведения</b>	<b>9</b>
Обзор .....	9
Комплект поставки .....	10
Технические характеристики .....	11
<b><u>3</u> Установка</b>	<b>12</b>
Установка .....	12
Последующая транспортировка .....	15
<b><u>4</u> Эксплуатация воздухоочистителя</b>	<b>16</b>
<b><u>5</u> Уход и техническое обслуживание</b>	<b>17</b>
Общая информация .....	17
Замена лампы .....	18
<b><u>6</u> Устранение неисправностей</b>	<b>19</b>

## **1 Важные инструкции и предупреждения по технике безопасности и охране окружающей среды**

В данном разделе содержатся инструкции по технике безопасности, которые помогут вам избежать травм и повреждений. При несоблюдении этих правил все гарантийные обязательства аннулируются.

Общие правила безопасности

- Опасность угарных газов! Во время работы изделия всасывается воздух из всего помещения. Если не обеспечить соответствующую вентиляцию, ядовитые газы, образующиеся в результате сгорания, могут засасываться обратно в помещение через тягу дымохода. Не используйте изделие вместе с источниками выделения ядовитых газов и обеспечьте вытяжку воздуха (дровяные, газовые, нефтяные и угольные печи, водонагреватели, чайники и т.п.).
- Обязательно поручите уполномоченным на это лицам проверить правильную работу вентиляции и тяги дымохода в вашем здании.
- Данный электроприбор не предназначен для использования лицами

(включая детей) с ограниченными физическими, сенсорными и интеллектуальными возможностями либо не имеющими опыта и знаний. Они могут .

- Не позволяйте детям играть с прибором. Чистка и техническое обслуживание не должны проводиться детьми.
- Установка и ремонт должны выполняться только специалистами авторизованного сервисного центра. Производитель не несет ответственности за ущерб в результате выполнения работ лицами, не имеющими соответствующей квалификации.
  - Не пользуйтесь неисправным изделием или изделием с видимыми повреждениями.
  - После каждого использования обязательно выключайте изделие.
  - В случае передачи изделия третьему лицу в личное пользование или в целях вторичного использования необходимо также передать руководство пользователя,

наклейки изделия, а также другие связанные с ним документы и компоненты.

- Изделие должно устанавливаться квалифицированным специалистом в соответствии с действующими нормами и правилами. В противном случае гарантия аннулируется.

### Электробезопасность

- Для подготовки изделия к эксплуатации сначала следует подготовить место установки и электропроводку. Затем следует вызвать представителя ближайшей к вам авторизованной сервисной службы.
- В случае неисправности нельзя включать изделие, пока оно не будет отремонтировано представителем авторизованного сервисного центра. Имеется опасность поражения электрическим током!
- Никогда не вставляйте вилку воздухоочистителя в розетку до завершения установки!
- Не прикасайтесь влажными руками к вилке шнура питания. Не тяните за шнур питания, вынимая вилку из розетки; для

этого всегда беритесь за штепсельную вилку.

- Прежде чем приступать к установке, техническому обслуживанию, чистке и ремонту, изделие необходимо отключить от электросети.
- Во избежание несчастных случаев при повреждении шнура питания замену должен осуществлять производитель, его представитель по сервису или лицо, имеющее аналогичную квалификацию.
- Никогда не подключайте кабель питания вблизи плит. Если шнур питания расплавится, это может привести к пожару.
- Все работы с электрическим оборудованием и системами должны выполняться только квалифицированными специалистами, допущенными к выполнению таких работ.
- В случае какого-либо повреждения выключите изделие и отсоедините его от электросети. Для этого выключите общий предохранитель в доме.
- Проверьте, соответствует ли ток перегорания плавкого предохранителя характеристикам изделия.

- Никогда не мойте изделие водой! Имеется опасность поражения электрическим током!

#### Безопасность изделия

- Расстояние между нижней поверхностью воздухоочистителя и верхней поверхностью плиты должно составлять не менее 650 мм.
- Никогда не прикасайтесь к лампе воздухоочистителя после работы в течение длительного времени. Горячие лампы могут вызвать ожоги рук.
- Ни в коем случае не пользуйтесь изделием без масляного фильтра. Никогда не снимайте фильтры, когда изделие работает.
- Не допускайте большого пламени под воздухоочистителем. В противном случае частицы на масляном фильтре могут воспламениться и вызвать пожар.
- Включайте плиты после того, как установите на них кастрюли или посуду. В противном случае повышенная температура может деформировать некоторые детали изделия.
- Выключайте плиты, прежде чем снимать с них кастрюли или посуду.
- Не допускайте размещения воспламеняющихся материалов под воздухоочистителем.
- Не подвергайте изделие воздействию открытого огня, находящегося под ним. Это может привести к воспламенению жира, накопившегося в фильтре. Не включайте воздухоочиститель без фильтра.
- Никогда не оставляйте плиту без присмотра при жарке продуктов, масло может воспламениться, а также закипевшее масло может привести к пожару. Поэтому будьте осторожны со скатертями и занавесками.
- Если периодически не чистить воздухоочиститель соответствующим образом, это может создать опасность его возгорания.
- Чтобы очистить воздух в кухне от запахов и паров от приготовления продуктов, оставьте воздухоочиститель включенным еще на 15 минут после окончания варки или жарки продуктов.



- Если вытяжка используется одновременно с приборами, работающими с горючим газом или другим топливом, необходимо обеспечить надлежащую вентиляцию помещения. (Не относится к электроприборам, которые только выпускают воздух обратно в помещение).
- В помещениях, где используется воздухоочиститель, выхлопные газы от устройств, работающих на жидком топливе или газе (например, комнатных обогревателей), должны быть полностью изолированы, либо устройства должны быть герметичны.
- Если в помещении имеются устройства, работающие на жидком топливе или газе, в помещении должна быть обеспечена достаточная вентиляция.
- Если в помещении одновременно с воздухоочистителем используется неэлектрическое устройство, отрицательное давление в помещении должно составлять максимум 0,4 миллибар, во избежание того, чтобы воздухоочиститель возвращал выпускные газы других устройств обратно в помещение.
- Никогда не подсоединяйте воздухоочиститель к дымоходам, использующимся для обогревателей, отработанных газов и открытого пламени. Соблюдайте нормы и правила по отводу выпускаемого воздуха.
- При подсоединении к дымоходу используйте трубы диаметром 120 мм. Соединения труб должны быть как можно более короткими с минимальным числом изгибов.
- Не подвешивайте легковоспламеняющиеся и горючие материалы на ручки вытяжки.
- Наша компания не несет ответственности за проблемы, которые могут возникнуть в связи с эксплуатацией при несоблюдении вышеописанных инструкций.
- Если очистка не выполняется в соответствии с инструкциями, может возникнуть опасность пожара.
- Не фламбируйте под вытяжкой.
- Внимание! При использовании электроплиты рабочие детали могут сильно нагреваться.

- В обычном режиме эксплуатации его рекомендуется чистить раз в месяц.

Использование по назначению  
Данное изделие предназначено для использования в быту.

Запрещается использовать прибор в коммерческих целях. Производитель не несет ответственности за повреждения в результате использования изделия не по назначению или неправильного обращения с ним.

#### Безопасность детей

- Во время работы изделия не допускайте к нему детей, а также не разрешайте им играть с ним.
- Упаковочные материалы представляют опасность для детей. Храните упаковочные материалы в недоступном для детей месте, а также сортируйте и утилизируйте их в соответствии с правилами уничтожения отходов.
- Электрические изделия представляют опасность для детей. Во время работы изделия не допускайте к нему

детей, а также не разрешайте им играть с ним.

#### Утилизация старого изделия

**Соответствие Директиве ЕС об утилизации электрического и электронного оборудования (WEEE) и утилизация вышедшего из употребления оборудования:**



Данное изделие соответствует Директиве ЕС об утилизации электрического и электронного оборудования (2012/19/EU). Данное изделие имеет маркировку, указывающую на утилизацию его как электрического и электронного оборудования (WEEE).

Это изделие произведено из высококачественных деталей и материалов, которые подлежат повторному использованию и переработке. Поэтому не выбрасывайте изделие с обычными бытовыми отходами после завершения его эксплуатации. Его следует сдать в соответствующий центр по утилизации электрического и электронного оборудования. О местонахождении таких центров вы можете узнать в местных органах власти.

#### **Соответствие Директиве ЕС об ограничении содержания вредных веществ (RoHS):**

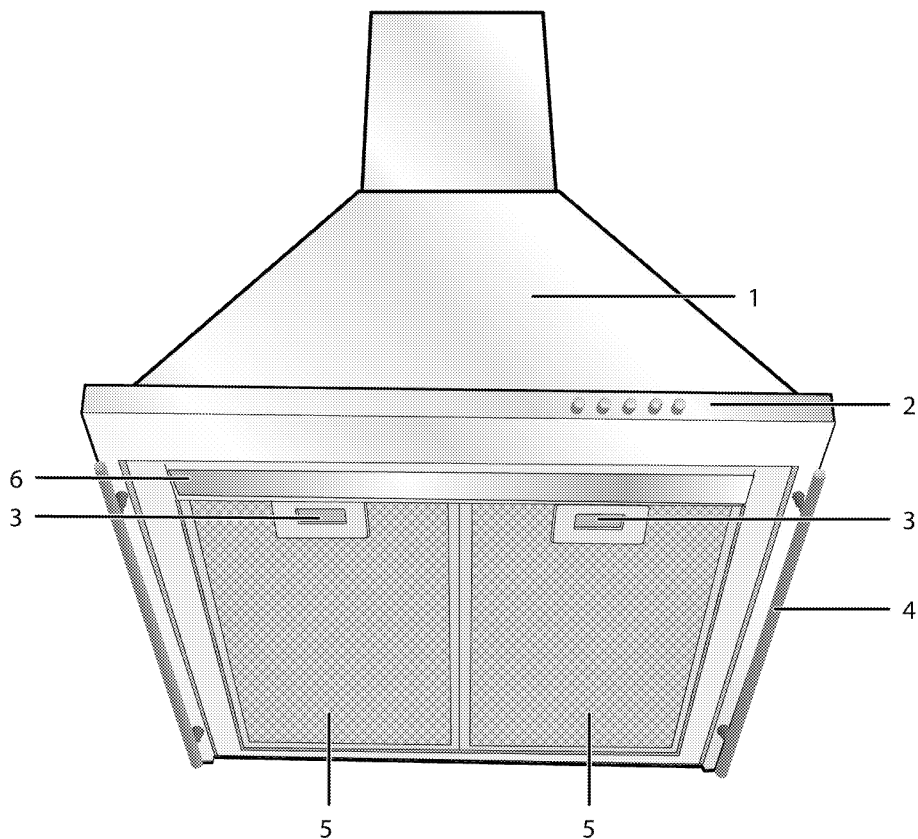
Приобретенное вами изделие соответствует Директиве ЕС о правилах ограничения содержания вредных веществ (2011/65/EU). Оно не содержит вредных и запрещенных материалов, указанных в Директиве.

#### **Утилизация упаковочных материалов**

- Упаковочные материалы опасны для детей. Храните упаковочные материалы в безопасном и недоступном для детей месте. Упаковочные материалы изделия изготовлены из материалов, подлежащих вторичной переработке. Утилизируйте их соответствующим образом и сортируйте согласно инструкций по обращению с отходами, подлежащими вторичной переработке. Не утилизируйте их вместе с обычными бытовыми отходами.

## 2 Общие сведения

### Обзор



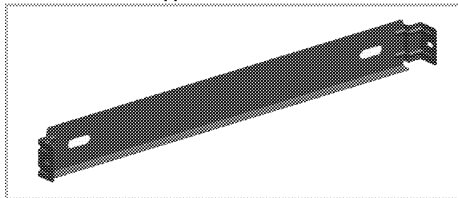
- 1 Корпус вытяжки
- 2 Панель управления
- 3 Замок алюминиевого фильтра
- 4 Ручка
- 5 Алюминиевый фильтр
- 6 Лампа подсветки

## Комплект поставки

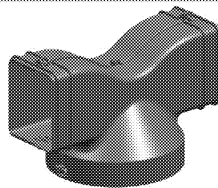


Дополнительные принадлежности, входящие в комплект поставки, могут изменяться в зависимости от модели изделия. Не все дополнительные принадлежности, описанные в руководстве пользователя, могут входить в комплект вашего изделия.

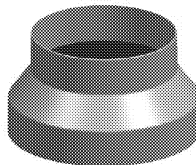
1. **Руководство пользователя**
2. **Стенной соединитель**



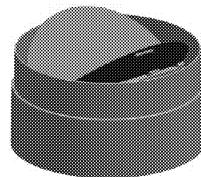
3. **Деталь, направляющая поток воздуха**



4. **Соединительный переходник дымохода**



5. **Клапаны, препятствующие обратному потоку воздуха**



## Технические характеристики

Габариты (высота / ширина / глубина)	мин.735 мм макс. 1130 мм/600 мм/502 мм
Напряжение/частота	220-240 В ; 50 Гц
Управление	3 уровень
Мощность всасывания	460 м³/ч
Общая потребляемая мощность	макс. 200 Вт
Предохранитель	10 А
Диаметр воздухоотводной трубы	120 - 150 мм
Класс энергетической эффективности	E

### Класс защиты -1

#### Степень защиты IP 44



С целью повышения качества изделия технические характеристики могут быть изменены без предварительного уведомления.



Рисунки в данном руководстве носят схематический характер и могут не вполне соответствовать конкретному изделию.



Значения, указанные на маркировке изделия или в других сопроводительных документах, получены в лабораторных условиях согласно соответствующим стандартам. Эти данные могут изменяться в зависимости от условий эксплуатации изделия и окружающей среды.

### 3 Установка

Для установки изделия обратитесь в ближайший авторизованный сервисный центр. Прежде чем вызывать представителя авторизованной сервисной службы для установки изделия, убедитесь в готовности электрического оборудования. В противном случае, вызовите квалифицированного электрика и монтажника для выполнения необходимых работ.



Ответственность за подготовку места установки изделия и электрической сети несет покупатель.



**ОПАСНО:**

Изделие следует устанавливать в соответствии с местными нормами по проведению электромонтажных работ.



**ОПАСНО:**

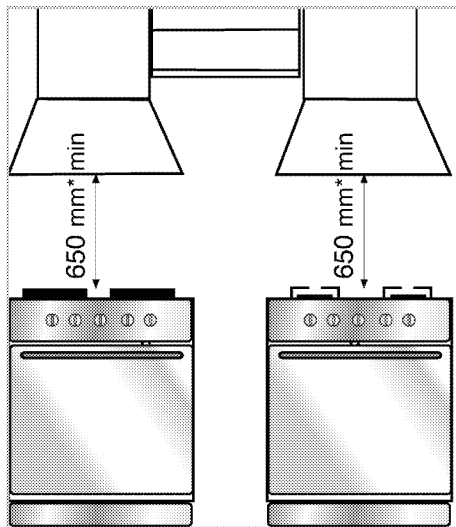
Перед установкой необходимо выполнить осмотр изделия на предмет наличия дефектов. Если таковые имеются, не устанавливайте изделие. Поврежденные изделия могут стать причиной несчастного случая.



**ОПАСНО:**

Внимание! Если винты или крепежное устройство установлены не в соответствии с инструкциями, может возникнуть опасность поражения электрическим током.

### Установка



\* мин.

Минимальное расстояние между опорной поверхностью варочной посуды, стоящей на конфорке, и нижней частью вытяжки 65 см. Воздух не должен выпускаться в дымоход, используемый для вывода дыма от других электроприборов, работающих с горючим газом или другим топливом. (Не относится к электроприборам, которые только выпускают воздух обратно в помещение) Необходимо соблюдать нормы по вытяжке воздуха.

#### Подключение к электрической сети

Данное изделие с 2-жильным силовым кабелем следует подключать к сети с помощью электрического выключателя с расстоянием не менее 3 мм между двухполюсными контактными проводами. Поручите установку электропроводки квалифицированному электрику.

- При установке изделия обеспечьте легкий доступ к электрическим соединениям (штепсельная вилка, розетка) после установки.

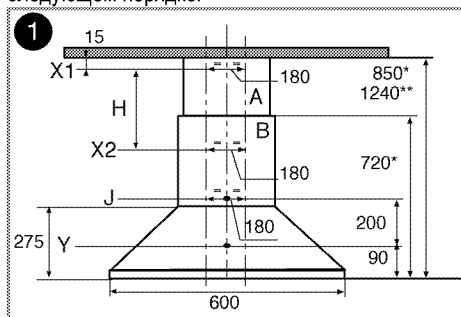
#### Установка воздухоочистителя



Размеры приведены в миллиметрах.

Ниже приведена информация, необходимая для подготовки места для установки вытяжки.

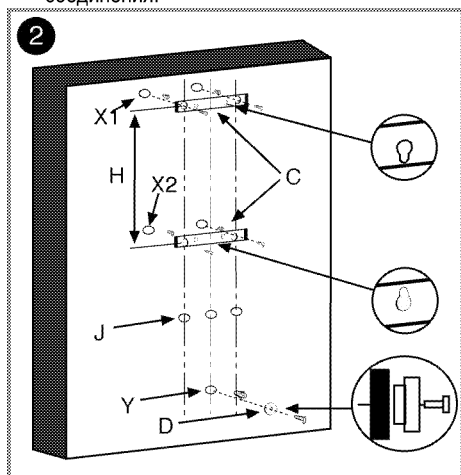
Вытяжку следует разместить над центром кухонной плиты. Расстояние между плитой и масляными фильтрами воздухоочистителя должно составлять не менее 650 мм. Для установки воздухоочистителя действуйте в следующем порядке.



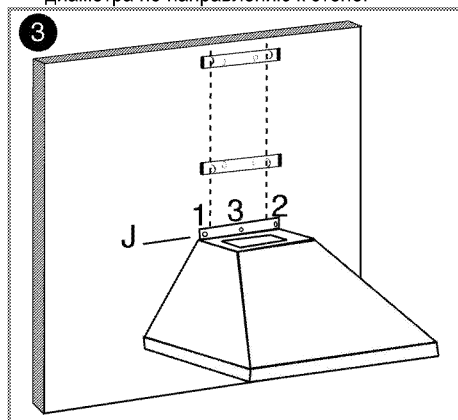
\* мин.

\*\* макс.

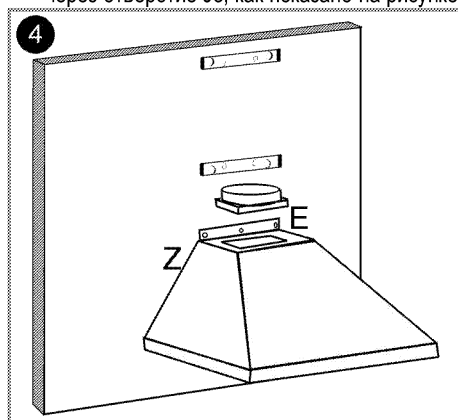
1. По центру кухонной плиты проведите осевую линию на стене на высоте до 950 мм. Затем проведите две параллельные линии на расстоянии 90 мм с обеих сторон от осевой линии до потолка. После этого определите место для отверстий, проведя линии Y-J-X2 и X1, вертикально пересекающие осевую линию. Размеры для этого приведены на рисунке 1.
2. Просверлите восемь отверстий диаметром 8 мм в точках X, Y, X2, X1 и вставьте пластмассовые дюбели, поставляемые в комплекте. Убедитесь, что отверстия совпадают с отверстиями вентиляционного соединения.



3. Прикрепите соединители (C) к отверстиям X1 и X2 с помощью двух крепежных винтов, входящих в комплект принадлежностей, как показано на рисунке 2. Ввинтите распорное кольцо (D) в отверстие Y стороной меньшего диаметра по направлению к стене.



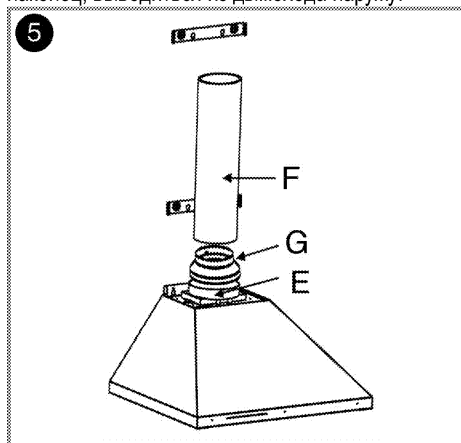
4. Установите воздухоочиститель опорным отверстием задней панели на распорное кольцо и потяните вниз, чтобы убедиться в его надежной фиксации. Затем привинтите корпус к стене через отверстия J1 и J2 на верхней задней части корпуса. Во избежание случайного падения воздухоочистителя по какой-либо причине, привинтите его еще и через отверстие J3, как показано на рисунке 3.



5. Установите выходной фланец (E) дымохода к прямоугольному выходу на верхней части воздухоочистителя; после чего привинтите фланец к корпусу с помощью винтов 2,9 мм, входящих в комплект принадлежностей, как показано на рисунке 4.

## 6. Для использования с подсоединением к дымоходу:

В положении подсоединенного дымохода всасываемый воздух будет проходить через масляные фильтры на выход и затем поступать в дымоход через соединительные трубки и, наконец, выводиться из дымохода наружу.

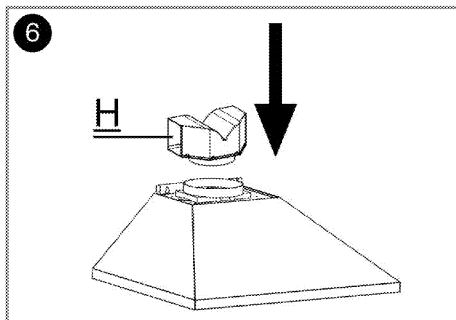


При использовании такого соединительного положения на выходной фланец дымохода следует установить E-образный соединитель от 150 мм до 120 мм, как показано на рисунке 5. Соединительные трубки дымохода должны быть выполнены из огнеупорного пластикового материала. При использовании гибкого соединения следует учитывать, что острые углы и резкие сужения отрицательно влияют на всасывание воздуха. Вентиляционное соединение нельзя устанавливать на вытяжку, которая уже подсоединена к другому устройству.

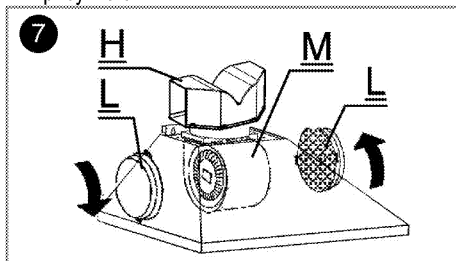
**i** Соединительная трубка не должна быть более 120 мм; в противном случае это будет препятствовать правильному подсоединению дымохода.

## 7. Внутренняя циркуляция (использование с угольным фильтром)

Втягиваемый воздух в режиме внутренней циркуляции подается назад с помощью решетки вентиляции после прохождения через масляные и угольные фильтры, где он очищается от запахов, и через дефлектор воздуха.



Деталь, направляющая поток воздуха, установлена в точке H, как показано на рисунке 6.



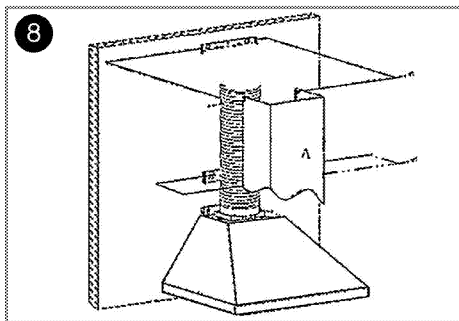
Установите пазы проушин угольных фильтров (L) на проушины держателя двигателя (M), как показано на рисунке 7, и поверните против часовой стрелки, чтобы зафиксировать на месте. Выполните те же действия для держателя двигателя с другой стороны.

**i** Если периодически не чистить и не обслуживать масляные фильтры и не заменять угольные фильтры по окончании срока их службы (приблизительно 4 месяца), это может создать опасность пожара.

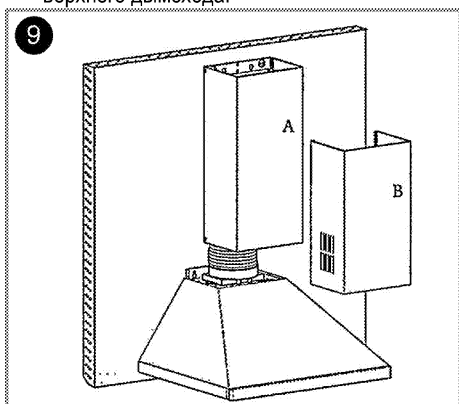
## 8. Установка вентиляции

Чтобы установить верхний дымоход А (длинный), закрепите верхние углы дымохода на соединении (С), как показано на рисунке 8, и привинтите его к соединителю с помощью винтов 2,9 мм.





8  
 Расстояние между отверстиями X1 и X2 определяется в процессе установки в зависимости от используемой длины верхнего дымохода.



9  
 Чтобы установить нижний дымоход В (короткий), растяните дымоход, слегка потянув с обеих сторон, и закрепите его на верхних слотах дымохода, как показано на рисунке 9.

**Вы можете использовать воздухоочиститель двумя способами:**

**1 – Использование с подсоединением к дымоходу**

Испарения выводятся с помощью вентиляционной трубы, закрепленной на соединительном кольце воздухоочистителя. Диаметр трубы дымохода должен равняться диаметру соединительного кольца. Чтобы воздух свободно выводился из помещения при горизонтальной установке, трубу следует слегка наклонить вверх (приблизительно на 10°).

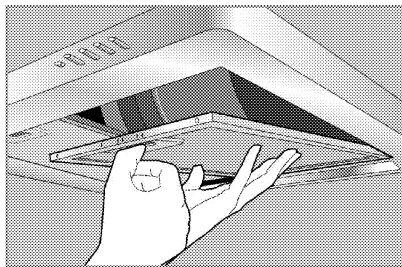


Если в воздухоочистителе установлен угольный фильтр, его следует удалить.

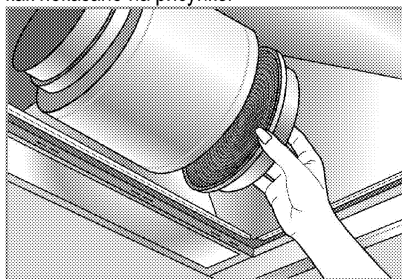
**2 – Использование без подсоединения к дымоходу**

Воздух фильтруется через угольный фильтр и возвращается в помещение. Угольный фильтр используется, если в доме отсутствует дымоход или невозможно установить трубу дымохода.

- Снимите алюминиевые фильтры, как показано ниже.



- Чтобы установить угольный фильтр, установите его по центру на пластмассовые детали с обеих сторон корпуса вентилятора и закрепите фильтр на выступях.
- Закрепите его, поворачивая вправо и влево, как показано на рисунке.



- Повторно установите алюминиевый фильтр.

**Последующая транспортировка**

- Сохраните оригинальную упаковочную коробку и перевозите изделие в ней. Следуйте указаниям, нанесенным на упаковке. Если оригинальная упаковочная коробка не сохранилась, заверните изделие в пузырчатую полиэтиленовую упаковку или поместите в коробку из плотного картона. Надежно заклейте клейкой лентой.



Не ставьте на изделие никаких предметов и перемещайте его в вертикальном положении.

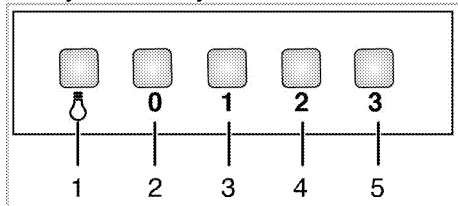


Осмотрите изделие снаружи на предмет возможных повреждений при транспортировке.

## 4 Эксплуатация воздухоочистителя

Воздухоочистители оснащены двигателями с различными регулировками скорости. Для хорошей работы в нормальных условиях рекомендуется использовать малую скорость, а высокой скоростью пользоваться в условиях сильных запахов и обильного пара.

### Эксплуатация воздухоочистителя



- 1 Кнопка подсветки
- 2 Кнопочный выключатель
- 3 Скорость 1
- 4 Скорость 2
- 5 Скорость 3

1. Нажмите соответствующую кнопку скорости, на которой вы хотите использовать воздухоочиститель.



Никогда не нажимайте одновременно две кнопки. В случае их нажатия включится более высокая скорость.

### Выключение воздухоочистителя

1. Нажмите кнопку выключения, когда воздухоочиститель работает с определенной скоростью.

### Эксплуатация лампы

1. Нажмите кнопку лампы для включения лампы

### Выключение лампы

1. Чтобы выключить лампу, нажмите кнопку лампы еще раз.



Кнопка выключения не выключает лампу, она выключает только работу воздухоочистителя.

## 5 Уход и техническое обслуживание

### Общая информация

Регулярно выполняйте чистку изделия. Это позволит продлить срок его службы, а также избежать многих проблем.



#### ОПАСНО:

Перед выполнением работ по обслуживанию и чистке отключите изделие от электросети. Существует опасность поражения электрическим током!

- Изделие следует тщательно чистить после каждого использования. Так легче удалять остатки пищи, которые могут пригореть во время следующего использования изделия.
- Для чистки изделия не требуются специальные чистящие средства. Используйте теплую воду с добавлением жидкого моющего средства, мягкую ткань или губку. Вытрите сухой тканью.
- Для чистки поверхностей из нержавеющей стали и ручки не используйте чистящие средства, содержащие кислоту или хлор. Эти детали можно чистить мягкой тканью, смоченной в жидком моющем средстве (без абразива), стараясь протирать их в одном направлении.



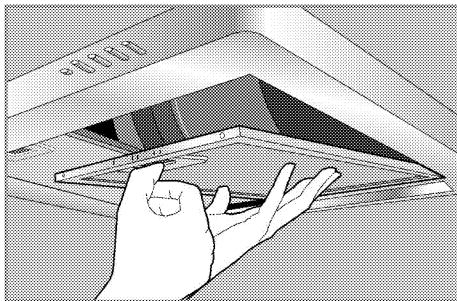
Некоторые моющие и чистящие средства могут повредить поверхность. Не используйте для чистки агрессивные моющие средства, чистящие порошки/кремы, а также острые предметы.



Не используйте для чистки пароочистители.

### Алюминиевый фильтр

Этот фильтр предназначен для улавливания частиц масла в воздухе. **В обычном режиме эксплуатации его рекомендуется чистить раз в месяц.** Для выполнения этого процесса сначала снимите алюминиевые фильтры. Промойте фильтры водой с моющим средством, высушите и установите на место. Из-за мытья алюминиевые фильтры со временем могут изменить цвет. Это нормально и не указывает на необходимость в замене фильтра.



Можно также мыть алюминиевый фильтр в посудомоечной машине.

### Снятие алюминиевых фильтров

1. Нажмите на фиксатор алюминиевого фильтра.
2. Слегка опустите фильтр и потяните вперед. В противном случае вы можете его согнуть.
3. После промывания для установки алюминиевого фильтра на место действуйте в обратном порядке.

### Угольный фильтр (используется без вытяжной трубы)

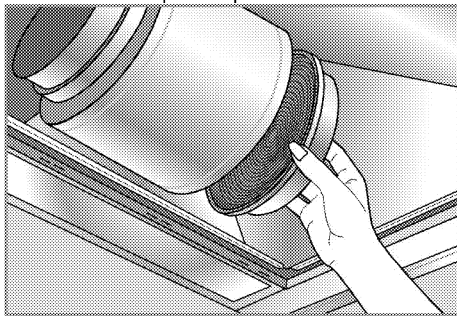


Угольные фильтры ни в коем случае нельзя мыть.

В обычном режиме их следует заменять через каждые 4 месяца. Угольные фильтры можно приобрести в авторизованном сервисном центре.

### Снятие угольных фильтров

1. Снимите алюминиевые фильтры
2. Чтобы снять угольный фильтр, поверните его и снимите с фиксаторов.



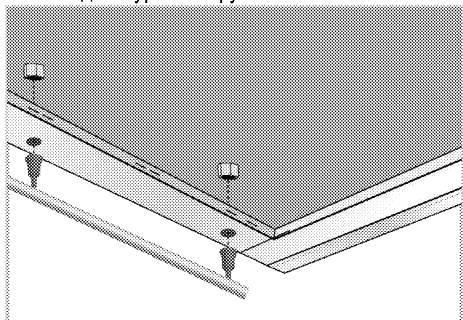
3. Установите новый угольный фильтр.
4. Установите алюминиевые фильтры на место.



Несоблюдение правил чистки и замены фильтров вытяжки может привести к пожару.

### Снятие ручки вытяжки

1. Снимите алюминиевые фильтры, нажав на фиксаторы.
2. Ослабьте гайки внутри вытяжки, находящиеся на одном уровне с ручкой.



3. Повторно закрепите ручки с помощью гаек на внутренней стороне вытяжки.
4. Установите алюминиевые фильтры на место.



В странах, где имеется сервисное обслуживание, монтаж ручек осуществляется сервисной службой.

### Замена лампы



#### ОПАСНО:

Во избежание поражения электрическим током, прежде чем заменять лампу, убедитесь в том, что изделие отключено от электросети. Если лампа горячая, подождите, пока она остынет. Горячие поверхности могут привести к ожогу!



Технические характеристики лампы см. *Технические характеристики, стр. 11.* Лампы подсветки духового шкафа можно приобрести у представителей авторизованной сервисной службы.

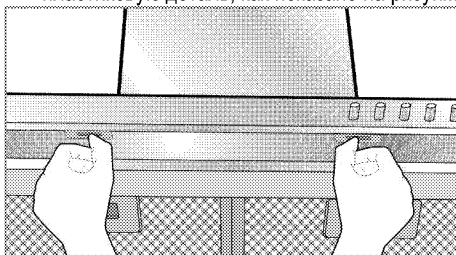


Расположение ламп может отличаться от изображенного на рисунке.



Лампа, используемая в этом приборе, не подходит для освещения бытовых помещений. Эта лампа предназначена для вспомогательной цели, позволяющей пользователю увидеть пищевые продукты.

1. Прижмите фиксаторы лампы и снимите пластиковую деталь, как показано на рисунке.



2. Замените лампы.
3. Поместите пластиковую деталь лампы на место и закрепите пластиковые фиксаторы. Признаком надежной установки является щелчок.

## 6 Устранение неисправностей

### Изделие не работает.

- Плавкий предохранитель неисправен или перегорел. >>> *Проверьте плавкие предохранители в блоке предохранителей. При необходимости замените или переустановите их.*
- Изделие не включено в розетку электросети. >>> *Проверьте подключение штепсельной вилки.*
- Возможно, не включена кнопка регулировки скорости. >>> *Нажмите кнопку нужной скорости.*
- Поддача электроэнергии отключена. >>> *Проверьте наличие электропитания. Проверьте предохранители в блоке предохранителей. При необходимости замените или переустановите предохранители.*

### Освещение воздухоочистителя не работает.

- Лампа воздухоочистителя неисправна. >>> *Замените лампу воздухоочистителя.*
- Поддача электроэнергии отключена. >>> *Проверьте наличие электропитания. Проверьте предохранители в блоке предохранителей. При необходимости замените или переустановите предохранители.*



Если вы не можете устранить неполадки, несмотря на выполнение инструкций, приведенных в данном разделе, обратитесь к представителю авторизованной сервисной службы или к дилеру, у которого приобретено изделие. Не пытайтесь самостоятельно отремонтировать неисправный электроприбор.

Изготовитель: «Arcelik A.S.»

Юридический адрес: Караач Джаддеси № 2-6 34445 Сютлюдже Стамбул, Турция  
(Karaağaç Caddesi No:2-6 Sütlüce, 34445, Turkey)

Произведено в Турции

Импортер на территории РФ: ООО «БЕКО»

Юридический адрес: 601021 Россия, Владимирская обл., Киржачский р-н, МОСП Першинское, дер. Федоровское, ул. Сельская, д. 49.

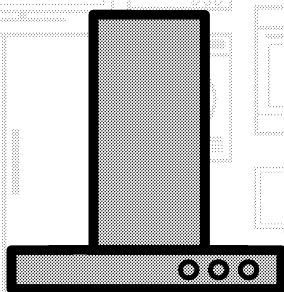
Информацию о сертификации продукта Вы можете уточнить, позвонив на горячую линию 8-800-200-23-56.

Дата производства включена в серийный номер продукта, указанный на этикетке, расположенной на продукте, а именно: первые две цифры серийного номера обозначают год производства, а последние две – месяц. Например, "10-100001-05" обозначает, что продукт произведен в мае 2010 года.

Изготовитель оставляет за собой право на внесение изменений в конструкцию, дизайн и комплектацию электроприбора.

# Витяжка

Посібник користувача



UK

**beko**

## Будь ласка, спочатку прочитайте посібник користувача!

Шановний покупець!

Дякуємо за те, що надали перевагу продукції компанії «Веко». Сподіваємося, що цей високоякісний виріб, виготовлений із застосуванням найсучасніших технологій, продемонструватиме найкращі результати експлуатації. Для цього рекомендуємо вам прочитати весь посібник користувача та всю супровідну документацію, перш ніж користуватися виробом, і зберегти їх для майбутнього використання в довідкових цілях. Якщо ви передаєте комусь прилад, передайте й посібник користувача. Дотримуйтеся всіх попереджень й інформації, які містяться в посібнику користувача.

Зверніть увагу, що цей посібник також може бути дійсним для інших моделей. У ньому буде чітко вказано розбіжності між моделями.

### Пояснення до символів

У цьому посібнику користувача використано такі символи:



Важлива інформація або корисні поради з користування.



Попередження про небезпечні ситуації для життя та майна.



Попередження про ураження електричним струмом.



Попередження про ризик займання.



Попередження про гарячі поверхні.



**Arçelik A.Ş.**  
Karaağaç caddesi No:2-6  
34445 Sütlüce/Istanbul/TURKEY  
Made in TURKEY

**1 Важливі інструкції та попередження з техніки безпеки й охорони навколишнього середовища 4**

Загальні правила техніки безпеки.....	4
Електрична безпека .....	5
Правила техніки безпеки.....	5
Використання за призначенням .....	7
Безпека дітей.....	7
Утилізація старого приладу.....	8
Утилізація пакувальних матеріалів .....	8

**2 Загальна Інформація 9**

Огляд.....	9
Комплектація.....	10
Технічні характеристики.....	10

**3 Встановлення 11**

Встановлення .....	11
Для майбутнього транспортування .....	14

**4 Експлуатація витяжки 15****5 Догляд і технічне обслуговування16**

Загальна інформація .....	16
Заміна лампи.....	17

**6 Пошук та усунення несправностей18**



## 1 Важливі інструкції та попередження з техніки безпеки й охорони навколишнього середовища

У цьому розділі наведені правила техніки безпеки, які допоможуть уникнути ризику травмування та пошкодження. При недотриманні цих правил усі гарантійні зобов'язання буде анульовано.

Загальні правила техніки безпеки

- **Небезпека отруєння!** Під час роботи приладу повітря всмоктується з усіх будівлі. Якщо не забезпечити достатню вентиляцію, через наявність тяги в димоході відхідні й токсичні гази, які виділяються під час горіння будуть повертатися назад у будівлю. Не використовуйте прилад разом з джерелами, які можуть виділяти токсичні гази і створювати тягу повітря (печі на дровах, газі, нафті чи вугіллі, водонагрівачі, чайники тощо).
- Обов'язково перевіряйте стан вентиляції та тяги в димоході будівлі. Таку перевірку мають виконувати уповноважені особи.
- Цей прилад не призначений для використання особами (зокрема, дітьми) з обмеженими фізичними, сенсорними або розумовими можливостями, а також

особами, які не мають відповідного досвіду та знань. Вони можуть користуватися приладом тільки під наглядом особи, відповідальної за їхню безпеку, або під її керівництвом.

Діти не повинні гратися з приладом, для чого за ними потрібно наглядати. Діти можуть займатися очищенням і обслуговуванням приладу тільки під наглядом дорослих.

- Встановлення й ремонт приладу мають виконувати працівники фірмового сервісного центру. Виробник не несе відповідальності за збитки, спричинені виконанням цих робіт особами, які не мають на це права.
- Не використовуйте несправний прилад чи прилад з будь-якими зовнішніми пошкодженнями.
- Після використання щоразу вимикайте прилад.
- Встановлення приладу мають виконувати кваліфіковані фахівці у відповідності з діючими правилами. Інакше гарантія буде анульована.

## Електрична безпека

- Перед встановленням виробу перш за все підготуйте для нього місце і виконайте необхідні електротехнічні роботи. Після цього можна звертатися до найближчого фірмового сервісного центру.
- У разі несправності приладу слід припинити його експлуатацію, поки його не буде відремонтовано у фірмовому сервісному центрі. Небезпека ураження електричним струмом!
- Не підключайте витяжку до електромережі, поки не будуть закінчені всі роботи зі встановлення.
- Не торкайтеся вологими руками до вилки кабелю живлення. Витягаючи штепсель з розетки, беріться за його корпус і ніколи не тягніть за шнур.
- Під час встановлення, обслуговування, чищення й ремонту обов'язково відключайте прилад від електромережі.
- Щоб уникнути нещасного випадку, заміну пошкодженого кабелю живлення повинен проводити виробник, його сервісна служба чи інша особа,

яка має відповідну

кваліфікацію.

- Місце підключення кабелю живлення має бути розташоване подалі від кухонної плити. Якщо ізоляція шнура розплавиться, може статися пожежа.
- Усі роботи з електричним обладнанням та системами має проводити лише кваліфікований персонал із відповідним дозволом.
- У разі пошкодження вимкніть прилад і відключіть його від електромережі. Для цього вимкніть головний запобіжник у будинку.
- Номінальний струм запобіжника має відповідати характеристикам приладу.
- Не дозволяється мити прилад водою! Небезпека ураження електричним струмом!

## Правила техніки безпеки

- Відстань між нижньою поверхнею витяжки і верхньою поверхнею кухонної плити має бути щонайменше 650 мм.
- Не торкайтеся лампи витяжки після тривалої роботи. Гаряча лампа може спричинити опіки рук.
- Не користуйтеся приладом, якщо не встановлений фільтр-жировловлювач. Не виймайте

фільтри під час роботи приладу.

- Не допускайте великого полум'я під приладом, інакше вміст фільтра-жировловлювача може спалахнути, що спричинить пожежу.
- Вмикайте конфорки лише після встановлення посуду, інакше певні частини приладу можуть деформуватися під впливом високої температури.
- Знімайте посуд з конфорок тільки після їх вимкнення.
- Не кладіть під витяжкою легкозаймисті матеріали.
- Не піддавайте прилад впливу відкритого полум'я, бо зібраний у фільтрі жир, може спалахнути. Не вмикайте прилад без фільтра.
- Не залишайте плиту без нагляду під час смаження. Жир може спалахнути, що призведе до пожежі. Крім того, слід дотримуватися заходів безпеки щодо тканин і штор.
- Витяжку слід регулярно чистити належним чином, інакше виникає небезпека її займання.
- Для очищення повітря на кухні від запахів і пари після приготування їжі слід вмикати

витяжку принаймні на 15 хвилин.

- Якщо витяжка одночасно використовується для приладів, які працюють на газі або інших видах палива, кімната повинна мати відповідну вентиляцію. (Не застосовується до приладів, які тільки повертають повітря в приміщення).
- У приміщенні, де працює витяжка, не допускається використання негерметичних побутових нагрівачів на мазуті або газі, продукти горіння з яких надходять у повітря.
- Якщо ж такі нагрівачі використовуються, необхідно забезпечити належну вентиляцію приміщення.
- У приміщенні, де крім витяжки працює неелектричний нагрівач, слід підтримувати тиск на рівні не нижче 0,4 мбар від атмосферного, інакше всмоктані витяжкою випускні гази, можуть повертатися до приміщення.
- Забороняється приєднувати витяжку до вентиляційних каналів, куди виводяться гази від нагрівачів тощо або в якому є відкрите полум'я. Дотримуйтеся місцевих норм і правил щодо відведення випускного повітря.

- В разі потреби підключення до вентиляційного каналу слід використовувати труби діаметром 120 мм. З'єднувальна труба має бути якомога коротшою з мінімальною кількістю поворотів.
- Не підвишуйте легкозаймисті й горючі матеріали на ручки витяжки.
- Наша компанія не несе відповідальності за проблеми, які виникають через порушення наведених вище правил.
- Якщо очищення приладу з порушенням цієї інструкції, існує ризик виникнення пожежі.
- Забороняється виконувати фламбування під витяжкою.
- Застереження. У разі використання разом з кухонною плитою, зовнішні деталі приладу можуть нагріватися.
- За нормальних умов експлуатації рекомендується чистити цей фільтр один раз на місяць.

Використання за призначенням  
Цей прилад призначений тільки для побутового використання. Забороняється використання приладу з комерційною метою.

Виробник не несе відповідальності за будь-які збитки, спричинені неналежним застосуванням або неправильним поводженням з приладом.

Безпека дітей

- Під час роботи приладу не допускайте до нього дітей та не дозволяйте дітям гратися з приладом.
- Пакувальні матеріали становлять загрозу для дітей. Зберігайте пакувальні матеріали в недоступному для дітей місці та утилізуйте їх відповідно до правил знищення відходів.
- Електричні прилади становлять загрозу для дітей. Під час роботи приладу не допускайте до нього дітей та не дозволяйте дітям гратися з приладом.

## Утилізація старого приладу

**Відповідність Директиві щодо відпрацьованого електричного й електронного обладнання (Директива WEEE) й утилізація відходів**



Цей виріб відповідає вимогам Директиви WEEE (2012/19/EU). Цей виріб позначений символом приналежності до категорії відходів електричного й електронного обладнання (WEEE).

Цей виріб виготовлений з високоякісних деталей та матеріалів, які підлягають повторному використанню й переробці. Після закінчення терміну експлуатації цей виріб не можна викидати разом зі звичайними побутовими відходами. Його слід здати у відповідний пункт збору відходів електричного й електронного обладнання як вторинної сировини. Інформацію про місцезнаходження найближчого пункту збору відходів можна отримати в місцевих органах влади.

**Відповідність Директиві щодо обмеження використання шкідливих речовин (RoHS)**

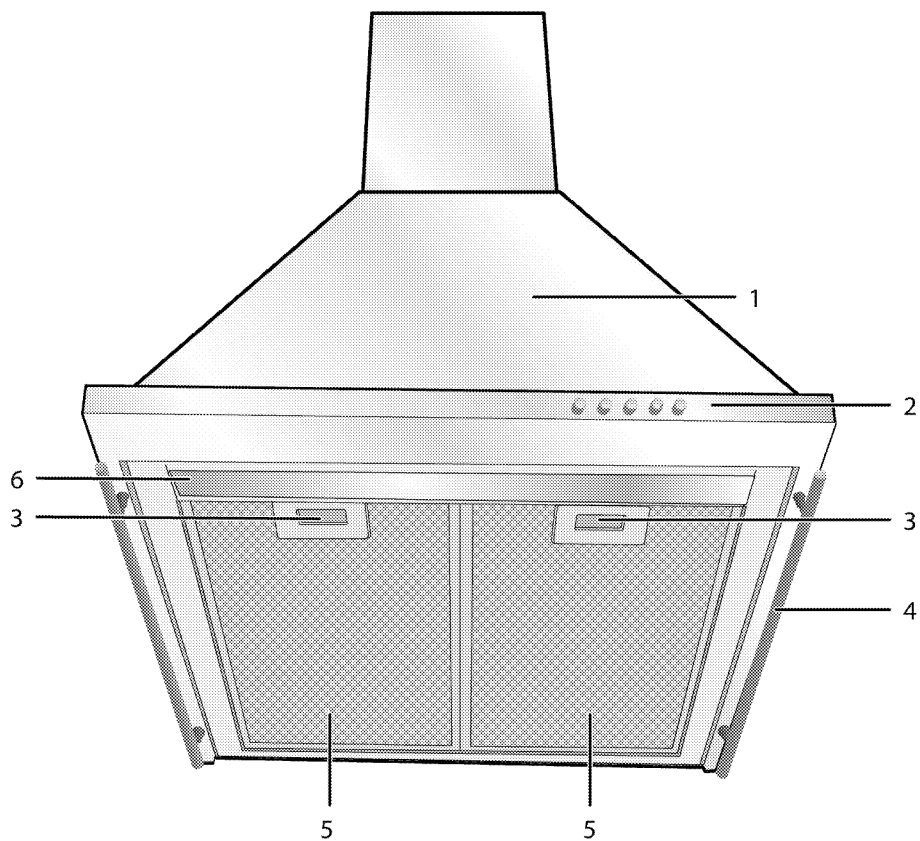
Цей виріб відповідає вимогам Директиви RoHS (2011/65/EU). Він не містить шкідливих та інших речовин, використання яких заборонено цією Директивою.

## Утилізація пакувальних матеріалів

- Пакувальні матеріали становлять загрозу для дітей. Зберігайте пакувальні матеріали в безпечному й недоступному для дітей місці. Пакувальні матеріали для приладу виготовлені з матеріалів, які підлягають вторинній переробці. Правильно утилізуйте їх і сортуйте відповідно до вказівок стосовно відходів, які підлягають переробці. Не викидайте їх разом зі звичайними побутовими відходами.

## 2 Загальна Інформація

### Огляд

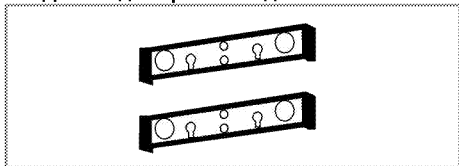


- |   |                            |   |                    |
|---|----------------------------|---|--------------------|
| 1 | Корпус витяжки             | 4 | Ручка              |
| 2 | Панель управління          | 5 | Алюмінієвий фільтр |
| 3 | Замок алюмінієвого фільтра | 6 | Лампочка           |

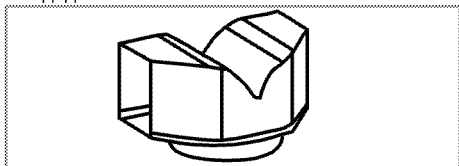
## Комплектація

**i** Прилад комплектується різним набором додаткового приладдя в залежності від моделі. Деяке додаткове приладдя, описане в посібнику користувача, може бути відсутнім у комплекті цього приладу.

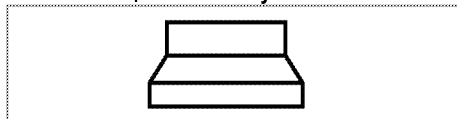
1. Посібник користувача
2. Деталь для кріплення до стіни



3. Компонент для спрямування повітря додатково



4. Перехідник для присднання до вентиляційного каналу



5. Клапани для запобігання зворотному потоку повітря



6. Розпірне кільце



## Технічні характеристики

Зовнішні габарити (висота/ширина/товщина)	мін.735 мм макс. 1130 мм/600 мм/502 мм
Напруга/частота	220-240 В ; 50 Гц
Регулятор	3 рівень
Потужність всмоктування	460 м³/год.
Загальне енергоспоживання	макс. 200 Вт
Запобіжник	мін. 10 А
Діаметр повітровипускної трубки	120 - 150 мм


**i** З метою вдосконалення якості продукції технічні характеристики приладу можуть бути змінені без попереднього повідомлення.


**i** Ілюстрації в цьому посібнику є схематичними і можуть дещо відрізнятися від придбаного приладу.


**i** Значення, вказані на маркуванні приладу або в супровідних документах до нього, отримані в лабораторних умовах згідно з вимогами відповідних стандартів. Ці значення можуть бути іншими залежно від умов експлуатації та навколишнього середовища.


### 3 Встановлення

З питань встановлення приладу зверніться до найближчого фірмового сервісного центру. Перш ніж звертатися до фірмового сервісного центру для підготовки приладу до експлуатації, виконайте необхідні електротехнічні роботи або викличте для виконання необхідних підключень кваліфікованого електрика та монтера.

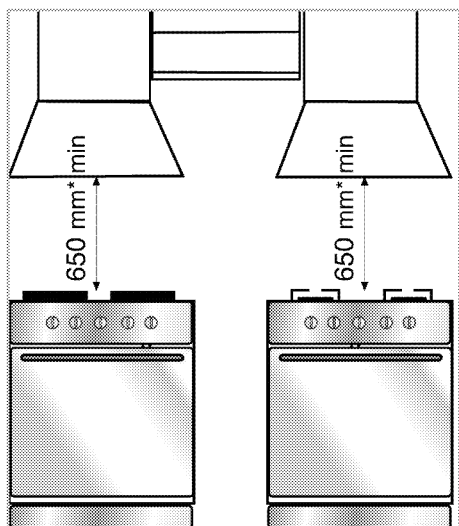
 За підготовку місця для встановлення приладу та його підключення до електромережі відповідає покупець.

 **НЕБЕЗПЕЧНО:**  
Прилад слід встановлювати відповідно до всіх місцевих норм і правил, які стосуються електричного обладнання.

 **НЕБЕЗПЕЧНО:**  
Перед встановленням огляньте прилад на наявність дефектів.  
У разі їх виявлення не встановлюйте прилад. Пошкоджені прилади можуть становити загрозу для вашої безпеки.

 **НЕБЕЗПЕЧНО:**  
Попередження. Встановлення гвинтів або фіксувального пристрою з порушенням цієї інструкції, може призвести до небезпеки ураження електричним струмом.

#### Встановлення



\* мін.

Мінімальна відстань між опорною поверхнею для посуду на варильній панелі і нижньою частиною витяжки повинна бути 65 см.


Відпрацьоване повітря не повинно відводитися через димохід, який використовується для виведення повітря з інших приладів, що працюють на газі або інших видах палива. (Не застосовується до приладів, які тільки ) Слід обов'язково виконувати всі нормативи, що стосуються відведення відпрацьованого повітря.

#### Підключення до електромережі

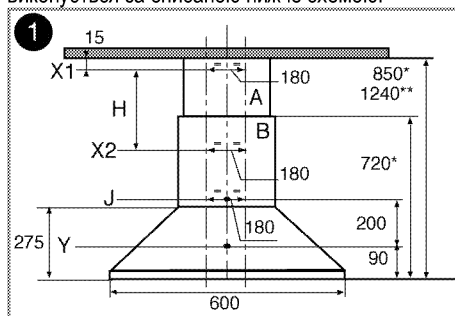
Цей прилад оснащений двожильним кабелем живлення, і його слід підключати до електромережі через двополюсний вимикач-переривач з відстанню між контактами не менше 3 мм. Електротехнічні роботи має виконувати кваліфікований електрик.

- Прилад слід встановлювати таким чином, щоб забезпечити зручний доступ до місця підключення до електромережі (до розетки й штепсельної вилки).

#### Встановлення витяжки

 Всі розміри дані в міліметрах.

Інформація, необхідна для підготовки місця установки вашої витяжки, наведена нижче. Витяжку слід встановлювати над центром кухонної плити. Відстань між поверхнею плити і фільтром-жировловлювачем має становити щонайменше 650 мм. Встановлення витяжки виконується за описаною нижче схемою.



\* мін.

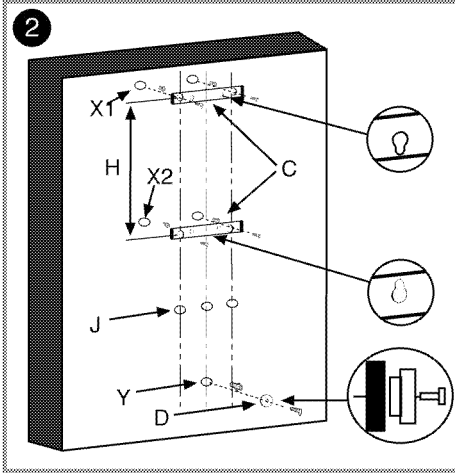
\*\* макс.

1. Визначте середину кухонної плити та накресліть на стіні осьову лінію до висоти 950

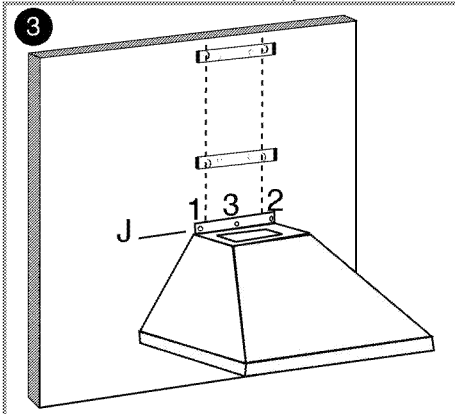


мм. Потім накресліть з обох боків осьової лінії дві паралельні лінії на відстані 90 мм і доведіть їх до стелі. Після цього визначте місця отворів – для цього накресліть горизонтальні лінії Y-J-X2 і X1 впоперек осьової лінії відповідно до розмірів, вказаних на рис. 1.

2. Просвердліть отвори діаметром 8 мм у точках X, Y, X2, X1 і вставте в них пластикові дюбелі з комплекту приладу. Впевніться, що положення отворів на вентиляційному з'єднанні співпадають з цими отворами.

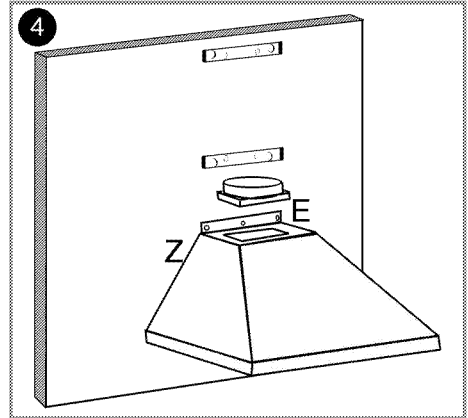


3. Вставте два гвинти з комплекту приладу в отвори X1 і X2 і прикріпіть кріпильні деталі (C), як показано на рис. 2. Прикріпіть до отвору Y розпірне кільце (D), повернувши його до стіни стороною меншого діаметру.



4. Встановіть витяжку на розпірне кільце за овальний отвір на задній панелі, а потім

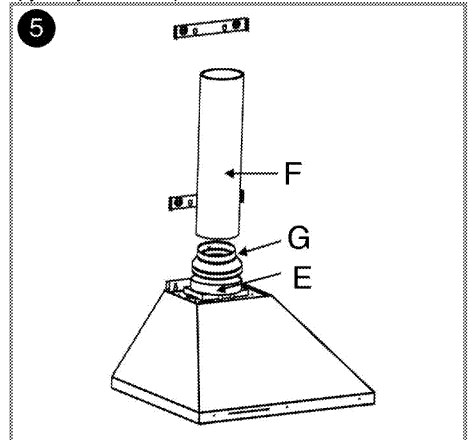
потягніть її вниз, щоб закріпити. Після цього прикріпіть корпус витяжки до стіни шурупами через отвори J1 і J2 вгорі на задній панелі корпусу витяжки. Крім того, прикріпіть витяжку шурупом через отвір J3 (рис. 3), щоб запобігти її випадковому падінню.



5. Приставте повітровід фланцем (E) до прямокутного отвору зверху витяжки, й прикріпіть фланець до корпусу гвинтами 2,9 мм з комплекту, як показано на рис. 4.

#### 6. Режим відведення повітря через вентиляційний канал

У разі приєднання витяжки до вентиляційного каналу повітря, втягнуте через фільтр-жировловлювачі, виводиться через з'єднувальні трубки у вентиляційний канал, а потім – назовні.



Для використання витяжки в такому режимі слід встановити на фланець повітроводу перехідну муфту (E) 120 мм – 150 мм, як показано на рис. 5.

Для приєднання до вентиляційного каналу слід використовувати труби з вогнетривкої пластмаси. У разі використання гнучкого шлангу слід зважати на те, що різкі згини й раптове звуження шлангу можуть перешкоджати всмоктуванню повітря. Підключення витяжки ні в якому разі не можна робити на пристрій, до якого вже підключена інша витяжка з іншими цілями.

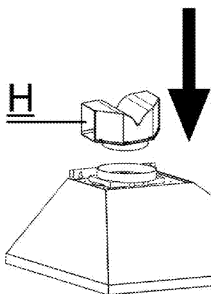


Діаметр з'єднувальної труби має становити не більше 120 мм, однак таку трубу важко приєднати до вентиляційного каналу належним чином.

### 7. Режим рециркуляції (з використанням вугільного фільтра)

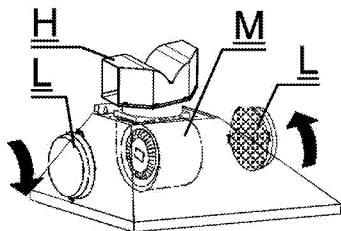
У разі використання витяжки в режимі рециркуляції, втягнуте повітря подається назад з-за решітки вентиляції після того, як проходить через масляні та вугільні фільтри, де воно очищається від запахів, та через дефлектор повітря.

6



Компонент для спрямування повітря встановлюється в точці Н, як показано на рис. 6.

7



Сумістіть пази на вугільному фільтрі (L) з виступами на корпусі двигуна (M), як показано на рис. 7, і поверніть фільтр проти годинникової стрілки до фіксації. Виконайте таку саму процедуру з іншого боку корпусу двигуна.

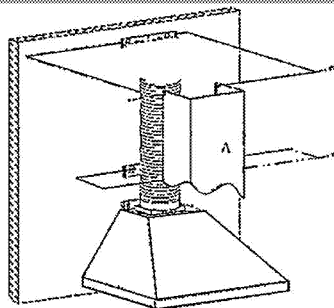


Неналежне обслуговування та нерегулярне очищення масляних фільтрів а також використання вугільного фільтра після закінчення терміну його служби (близько 4 місяців) може призвести до пожежі.

### 8. Установка вентиляції

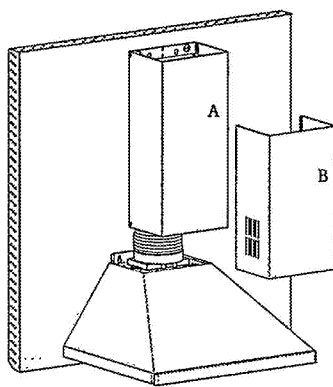
Для встановлення верхньої частини повітроводу А (довга) прикріпіть верхні кути повітроводу до кріпильної деталі (С), як показано на рис. 8, і зафіксуйте гвинтами 2,9 мм.

8



Відстань між отворами X1 і X2 визначається під час встановлення відповідно до робочої довжини верхньої частини повітроводу.

9



Для встановлення нижньої частини повітроводу В (коротка) трохи розтягніть її, тримаючи з обох боків, і вставте в пази верхньої частини повітроводу, як показано на рис. 9.

### Витяжка може працювати в двох режимах: 1 - Режим відведення повітря через вентиляційний канал

Випаровування виводяться через трубу вентиляції, закріплену на з'єднувальному кільці на

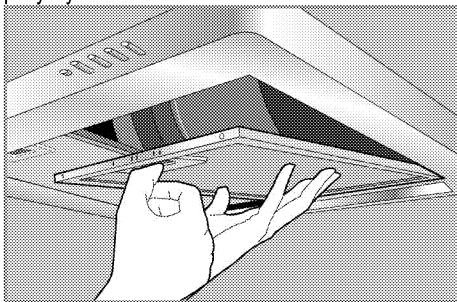
витажці. Діаметр повітроводу має співпадати з діаметром з'єднувального кільця. Для того, щоб повітря вільно виходило з приміщення через горизонтальні канали, трубу слід трохи підняти (приблизно на 10°).

**i** Якщо вугільний фільтр був встановлений у витажці, його слід видалити.

## 2 - Режим рециркуляції

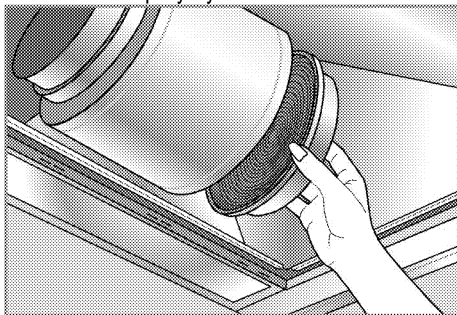
Повітря проходить через вугільний фільтр, очищується і повертається назад у приміщення. Вугільний фільтр застосовується у випадках, коли в будинку немає вентиляційних каналів або неможливо встановити повітровід.

- Зніміть алюмінієві фільтри, як показано на рисунку.



- Для встановлення вугільних фільтрів прикладіть їх до пластикових деталей з обох боків корпусу вентилятора і закріпіть за виступи.

- Зафіксуйте їх, повертаючи вправо чи вліво, як показано на рисунку.



- Ще раз встановіть алюмінієві фільтри.

## Для майбутнього транспортування

- Збережіть оригінальну упаковку приладу й перевозьте прилад у ній. Дотримуйтеся вказівок, зазначених на упаковці. Якщо оригінальна упаковка не збереглася, обгорніть пристрій пухирчастим поліетиленом або товстим картоном і надійно заклейте скотчем.

**i** Не ставте на пристрій жодних предметів і не встановлюйте його вертикально.

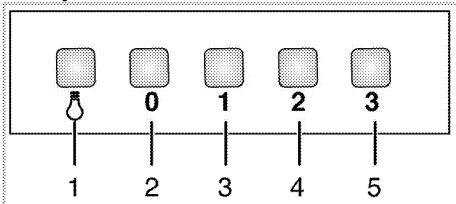
**i** Перевірте загальний вигляд пристрою на можливі пошкодження під час транспортування.

## 4 Експлуатація витяжки

Витяжка оснащена двигуном з перемикачем швидкостей.

Для найбільш ефективної роботи малу швидкість рекомендується використовувати за нормальних умов, а високу – за наявності сильних запахів і великої кількості пари.

### Експлуатація витяжки



- 1 Кнопка підсвічування
- 2 Кнопковий вимикач
- 3 Швидкість 1
- 4 Швидкість 2
- 5 Швидкість 3

1. Встановіть потрібну швидкість, натиснувши відповідну кнопку.



Уникайте одночасного натискання обох кнопок. Якщо натиснути обидві кнопки, буде встановлена вища швидкість.

### Вимкнення витяжки

1. Під час роботи витяжки на вибраній швидкості натисніть кнопку вимкнення.

### Експлуатація лампи

1. Для увімкнення лампи натисніть кнопковий вимикач освітлення.

### Вимкнення лампи

1. Для вимкнення лампи знову натисніть кнопковий вимикач освітлення.



Кнопка вимкнення не вимикає лампу. Ця кнопка призначена тільки для вимкнення витяжки.

## 5 Догляд і технічне обслуговування

### Загальна інформація

Якщо регулярно чистити прилад, він служитиме довше, а поширені несправності виникатимуть рідше.



#### НЕБЕЗПЕЧНО:

Перед обслуговуванням та чищенням приладу його слід відключити від електромережі.  
Існує небезпека ураження електричним струмом!

- Ретельно очищуйте прилад після кожного використання. Так простіше усунути залишки їжі, які можуть пригоріти під час наступного використання приладу.
- Для чищення приладу не потрібні спеціальні засоби для миття. Прилад слід мити розчином рідкого миючого засобу, використовуючи м'яку тканину чи губку, а потім витирати сухою ганчіркою.
- Не використовуйте для чищення ручки й поверхню з нержавіючої сталі засоби, які містять кислоту або хлор. Ці частини слід протирати м'якою тканиною, змоченою в рідкому миючому засобі без абразивних домішок, намагаючись дотримуватися одного напрямку.



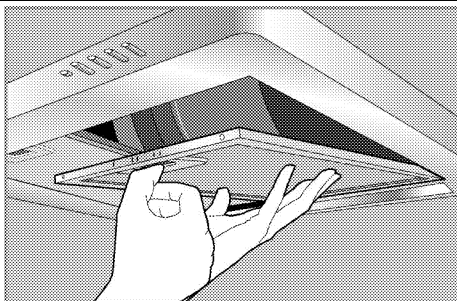
Деякі миючі засоби й матеріали для чищення можуть пошкодити поверхню. Не слід використовувати для чищення агресивні миючі засоби, чистильні порошки чи пасти або гострі предмети.



Забороняється використовувати для чищення пароочисники.

### Алюмінієвий фільтр

Цей фільтр уловлює з повітря частинки жиру. **За нормальних умов експлуатації рекомендується чистити цей фільтр один раз на місяць.** Для чищення фільтр потрібно зняти. Промийте його розчином рідкого миючого засобу, висушіть і встановіть на місце. З часом в результаті миття алюмінієві фільтри можуть змінити колір. Це нормально та не свідчить про необхідність їхньої заміни.



Алюмінієві фільтри також можна мити в посудомийній машині.

### Знімання алюмінієвих фільтрів

1. Натисніть на фіксатор алюмінієвого фільтра.
2. Обережно опустіть фільтр униз, а потім витягніть його назовні. В іншому разі фільтр може погнутися.
3. Після миття встановіть фільтр на місце, виконавши описані дії у зворотному порядку.

### Вугільний фільтр (використовується без витяжної труби)

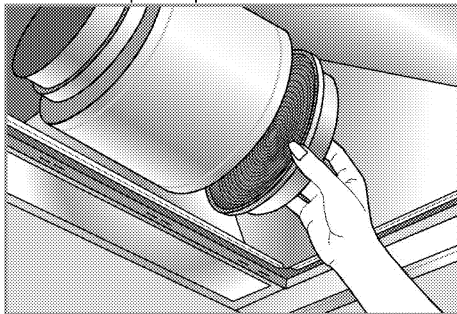


Вугільний фільтр мити не можна.

За нормальних умов експлуатації цей фільтр слід замінювати кожні 4 місяці. Вугільні фільтри можна придбати у фірмових сервісних центрах.

### Знімання вугільних фільтрів

1. Зніміть алюмінієві фільтри
2. Щоб зняти вугільний фільтр, поверніть його та зніміть з фіксаторів.



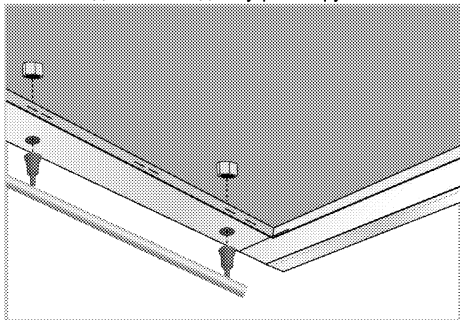
3. Встановіть новий вугільний фільтр.
4. Встановіть на місце алюмінієві фільтри.



Порушення правил очищення й заміни фільтрів витяжки може призвести до пожежі.

### Знімання ручки витяжки

1. Зніміть алюмінієві фільтри, натиснувши на фіксатори.
2. Ослабте гайки всередині витяжки, які знаходяться на одному рівні з ручками.



3. Повторно зафіксуйте ручки за допомогою гайок на внутрішній стороні витяжки.
4. Встановіть на місце алюмінієві фільтри.



В країнах, де є доступ до сервісного обслуговування, ручки встановлює сервісна служба.

### Заміна лампи



#### НЕБЕЗПЕЧНО:

Щоб уникнути ураження електричним струмом, перед заміною лампи обов'язково відключіть прилад від електричної мережі. Якщо лампа гаряча, зачекайте, поки вона охолоне. Гарячі поверхні можуть спричинити опіки!



Технічні характеристики лампи див. *Технічні характеристики, стор. 10*. Лампи підсвічування духової шафи можна придбати у представників авторизованої сервісної служби.

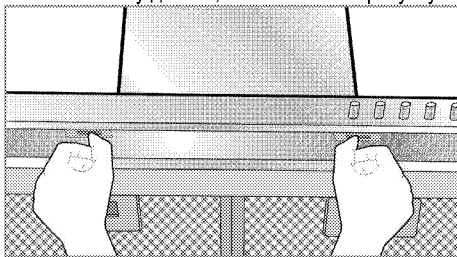


Розташування лампи може відрізнятись від зображення на рисунку.



Лампа, що використовується у цьому пристрої, не може працювати у якості освітлення житлових приміщень. Ці лампи призначені, щоб користувач міг роздивитися продукти харчування.

1. Притисніть фіксатори лампи і зніміть пластикову деталь, як показано на рисунку.



2. Замініть лампи.
3. Встановіть пластикову деталь на місце і закріпіть пластиковими фіксаторами. Ознакою належної фіксації пластикової деталі є клацання.

## 6 Пошук та усунення несправностей

### Прилад не працює.

- Запобіжник в електромережі несправний або спрацював. >>> *Перевірте запобіжники в блоці запобіжників. За необхідності замініть або увімкніть їх.*
- Духова шафа не ввімкнена в розетку електромережі. >>> *Перевірте підключення штепсельної вилки.*
- Не натиснута кнопка швидкості. >>> *Натисніть відповідну кнопку швидкості.*
- Відсутнє електроживлення. >>> *Перевірте наявність електроживлення. Перевірте запобіжники в блоці запобіжників. За необхідності замініть або увімкніть їх.*

### Не діє освітлення витяжки.

- Несправна лампа освітлення витяжки. >>> *Замініть лампу освітлення витяжки.*
- Відсутнє електроживлення. >>> *Перевірте наявність електроживлення. Перевірте запобіжники в блоці запобіжників. За необхідності замініть або увімкніть їх.*



Якщо за допомогою вказівок, наведених у цьому розділі, несправність усунути не вдалося, зверніться до фірмового сервісного центру або за місцем придбання приладу. Не намагайтеся відремонтувати несправний прилад самостійно.

Виробник: "Arçelik A.S."

"Arçelik A.S.", м. Стамбул, Сютлюдже, вул. Караагач №2-6, 34445, Туреччина  
(Karaağaç Caddesi No:2-6 Sütlüce, 34445, Turkey)

Офіційний представник на території України: ТОВ «Беко Україна»,  
адреса: 01021, м. Київ, вул. Кловський узвіз, буд. 5 тел/факс.: 0-800-500-4-3-2

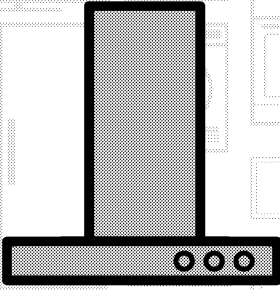
Термін служби десять років

Інформацію про сертифікацію продукту Ви можете уточнити, зателефонувавши на гарячу лінію 0-800-500-4-3-2.

Дата виробництва міститься в серійному номері продукту, що вказаний на етикетці, розташованій на продукті, а саме, перші дві цифри серійного номера позначають рік виробництва, а останні дві - місяць. Наприклад, «10-100001-05» означає, що продукт виготовлений в травні 2010 року.

# Davlumbaz

Kullanma kılavuzu



TR

**beko**



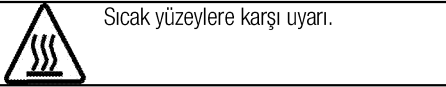
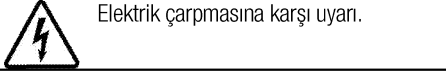
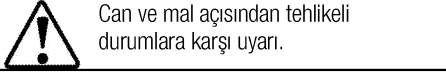
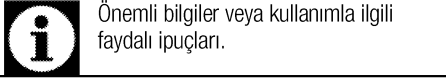
## Lütfen önce bu kılavuzu okuyun!

Değerli Müşterimiz,

Beko ürününü tercih ettiğiniz için teşekkür ederiz. Yüksek kalite ve teknoloji ile üretilmiş olan ürününüzün size en iyi verimi sunmasını istiyoruz. Bunun için, bu kılavuzun tamamını ve verilen diğer belgeleri ürünü kullanmadan önce dikkatle okuyun ve bir başvuru kaynağı olarak saklayın. Ürünü başka birisine vererseniz, kullanma kılavuzunu da birlikte verin. Kullanma kılavuzunda belirtilen tüm bilgi ve uyarıları dikkate alarak talimatlara uyun. Bu kullanma kılavuzunun başka modeller için de geçerli olabileceğini unutmayın. Modeller arasındaki farklar kılavuzda açık bir şekilde belirtilmiştir.

### Semboller ve açıklamaları

Kullanma kılavuzunda şu semboller yer almaktadır:



**Arçelik A.Ş.**  
Karaağaç caddesi No:2-6  
34445 Sütlüce/İstanbul/TURKEY  
Made in TURKEY

**1 Önemli güvenlik ve çevre talimatları** **4**

Genel güvenlik.....	4
Elektrik güvenliği.....	4
Ürün güvenliği.....	5
Kullanım amacı.....	6
Çocuklar için güvenlik.....	7
Atık ürünün elden çıkarılması.....	7
Ambalaj bilgisi.....	7

**2 Ürününüz** **8**

Genel görünüm.....	8
Teslimat kapsamı.....	9
Teknik özellikler.....	9

**3 Kurulum** **10**

Kurulum.....	10
Gelecekteki taşıma işlemleri.....	13

**4 Davlumbazın kullanılması** **14****5 Bakım ve temizlik** **15**

Genel bilgiler.....	15
Lambasının değiştirilmesi.....	16

**6 Sorun giderme** **17**

## 1 Önemli güvenlik ve çevre talimatları

Bu bölümde, yaralanma ya da maddi hasar tehlikelerini önlemeye yardımcı olacak güvenlik talimatları yer almaktadır. Bu talimatlara uyulmaması halinde her türlü garanti geçersiz hale gelir.

### Genel güvenlik

- **Zehirlenme Tehlikesi!** Ürün çalışırken, tüm ev içerisinden hava çekilir. Yeterli havalandırma sağlanmadığı takdirde haca akımı oluşarak ev içerisinde yanma sonucu açığa çıkan atık ve zehirli gazlar geri emilir. Ürünü hava dolaşımı sağlayan ve zehirli gaz çıkartabilecek ürünlerle (odun, gaz, yağ ve kömür sobaları, şofbenler, su ısıtıcıları vb.) birlikte çalıştırmayın.
- Binanızın havalandırma ve baca sisteminin yeterliliğini mutlaka yetkili kişilere kontrol ettirin.
- Bu cihaz, kendilerine güvenliklerinden sorumlu olan kişi tarafından cihazın kullanımıyla ilgili denetim yapılmadıkça veya talimat verilmedikçe, kısıtlı fiziksel, duyuşsal veya zihinsel kapasiteye sahip olan (çocuklar dahil) ya da bilgi ve deneyimi olmayan kişilerce kullanılmak amacıyla tasarlanmamıştır. Cihazla oynamalarını güvence altına almak için çocuklar gözetim

altında tutulmalıdır. Temizleme ve kullanıcı bakım işlemleri kendilerine nezaret eden biri olmadığı sürece çocuklar tarafından gerçekleştirilmemelidir.

- Kurulum ve tamir işlemlerini her zaman **Yetkili Servise** yaptırın. Yetkili olmayan kişiler tarafından yapılan işlemler nedeniyle doğabilecek zararlardan üretici firma sorumlu tutulamaz.
- Ürün bozuksa veya gözle görülür bir hasarı varsa, ürünü çalıştırmayın.
- Her kullanımdan sonra ürünün kapalı olduğunu kontrol edin.
- Garantinin geçerliliğini kaybetmemesi için, ürünün ehliyetli bir kişi tarafından geçerli yönetmeliklere göre kurulması gerekir.

### Elektrik güvenliği

- Ürününüzü kullanıma hazır hale getirebilmeniz için, önce monte edileceği yeri ve elektrik tesisatını yaptırınız. Daha sonra en yakın Yetkili Servisi çağırınız.
- Ürün arızalı ise yetkili servis tarafından onarılmadan çalıştırılmamalıdır! Elektrik çarpması tehlikesi vardır!
- Davlumbazınızın montajı yapılmadan fişini prize takmayın.

- Fişe ıslak ellerle kesinlikle dokunmayın! Fişi çekmek için kablosundan tutmayın, her zaman fişi tutarak çekin.
  - Kurulum, bakım, temizlik ve tamir işlemleri sırasında ürünün elektrik bağlantısı kesilmiş olmalıdır.
  - Herhangi bir tehlikenin ortaya çıkmasını önlemek amacıyla, hasar görmesi durumunda elektrik kablosu üretici, üreticinin servis merkezi veya benzeri bir ehliyetli kişi tarafından değiştirilmelidir.
  - Şebeke kordonunu ocakların yakınından geçirmeyin. Kablo eriyerek yangına sebebiyet verebilir.
  - Elektrikli cihazlar ve sistemler üzerinde yapılacak her türlü çalışma, yetkili ve ehliyetli kişiler tarafından gerçekleştirilmelidir.
  - Herhangi bir hasar durumunda, ürünü kapatın ve elektrik bağlantısını kesin. Bunun için, evinizin sigortasını kapatın.
  - Sigorta akımının ürün akımıyla uyumlu olduğundan emin olun.
  - Ürünü, üzerine su püskürterek veya su dökerek kesinlikle yıkamayın! Elektrik çarpması tehlikesi vardır!
- Ürün güvenliği**
- Davlumbazınızın alt yüzeyi ile fırının üst yüzeyi arasındaki yükseklik, 650 mm'den az olmamalıdır.
  - Davlumbazınızın lambalarını uzun süre çalıştırdıktan sonra bu lambalara dokunmayın. Isınan lambalar elinizi yakabilir.
  - Ürününüzü yağ tutucu filtresiz çalıştırmayın. Ürününüz çalışırken filtreleri yerinden çıkarmayın.
  - Ürün altında yüksek alev oluşturmayın. Aksi takdirde yağ tutucu filtredeki yağlar tutuşarak yangına sebebiyet verebilir.
  - Ocakların üzerinen tencere tava vb. koyduktan sonra ürünü çalıştırın. Aksi halde yükselen ısı ürününüzün bazı parçalarını deforme edebilir.
  - Ocakların üzerinden tencere tava vb. almadan önce ocağı kapatın.
  - Davlumbazınızın altında kolay tuşan malzeme bulundurmayın.
  - Ürün altında açık olarak alev maruz bırakmayın. Filtrede biriken yağların alev almasına neden olabilir. Ürünü filtresiz çalıştırmayın.
  - Kızartma cinsi yemekler yaparken ocağınızın başından ayrılmayın, yemek yaparken yağlar alev alabilir, kızgın yağ yangına sebebiyet verebilir. Bu nedenle örtü ve perdelerle dikkat edin.
  - Temizleme periyodik sürelerle uygun yapılmaz ise

davlumbazınızda yanma riski oluşabilir.

- Mutfak havasının kokulardan ve yemek pişirirken oluşan buhardan iyi temizlenmesi için, pişirme veya kızartma işi bittikten sonra davlumbazınızı 15 dakika daha çalıştırın.
- Gaz veya diğer bir yakıtı yakan cihazlar çalışırken aynı anda ocaklı fırın davlumbazı da kullanıldığında odada yeterli havalandırma bulunmalıdır. (Sadece havayı odaya geri veren cihazlar için geçerli değildir)
- Davlumbazınızın kullanılacağı ortamda akaryakıt veya gaz halindeki yakıtlarla çalışan, örneğin kat kaloriferi gibi, bu cihazın egzostu bulunduğu hacimden tam anlamıyla yalıtılmış veya cihaz hermetik tip olmalıdır.
- Eğer, ortamda, akaryakıt veya gaz halindeki yakıtlarla çalışan bir cihaz daha varsa ortamın yeterli şekilde havalandırılması gereklidir.
- Davlumbazla birlikte, elektrik enerjisinden başka bir enerji ile çalışan başka bir cihazın daha aynı ortamda bulunması halinde, davlumbaz tarafından diğer cihazın egzostunun tekrar odaya çekilmemesi için odada ki negatif basınç en fazla 0.4 mbar olmalıdır.
- Sobaların bağlı olduğu bacalara, atık gazın atıldığı bacalara veya

alev yükselen bacalara bağlantı yapmayın. Çıkış havasının boşaltılması ile ilgili yetkililerin kurallarına uyun.

- Ürünüze baca bağlantısı yaptığınızda 120 mm çaplı borular kullanın. Yapılan boru bağlantısı mümkün olduğu kadar kısa ve az dirsekli olmalıdır.
- Davlumbaz tutamaklarına kolay alev alan ve yanıcı malzemeler asılmamalıdır.
- Yukarıdaki uyarılara uyulmamasından kaynaklanan sorunlardan firmamız sorumlu olmayacaktır.
- Talimatlar doğrultusunda temizlik yapılmaması durumunda yangın riski vardır.
- Davlumbazın altında flambe yapmayın.
- Dikkat: Pişirici bir cihazla kullanıldığında ulaşılabilir parçalar ısınabilir.
- Filtrenizi normal kullanımda 1 aylık sürelerde temizlemeniz önerilmektedir.

### **Kullanım amacı**

Bu ürün evde kullanılmak üzere tasarlanmıştır. Ticari amaçlarla kullanımına izin verilmemektedir. Üretici, hatalı kullanım veya taşıma sırasında oluşan herhangi bir zarardan dolayı sorumluluk kabul etmez.

## Çocuklar için güvenlik

- Ürün çalışırken çocukları üründen uzak tutun ve ürünle oynamalarına izin vermeyin.
- Ambalaj malzemeleri çocuklar için tehlikeli olabilir. Ambalaj malzemelerini, çocukların ulaşamayacakları bir yerde muhafaza edin veya atık talimatlarına uygun bir şekilde tasnif ederek çöpe atın.
- Elektrikli ürünler, çocuklar için tehlikelidir. Ürün çalışırken çocukları üründen uzak tutun ve ürünle oynamalarına izin vermeyin.

## Atık ürünün elden çıkarılması

### WEEE Yönergesine uygunluk ve Atık ürünün elden çıkarılması



Bu ürün EU WEEE (2012/19/EU) yönergesine uygundur. Bu ürünün üzerinde, elektrikli ve elektronik ekipman atıklarının ayrı olarak toplanması gerektiğini gösteren bir simge (WEEE) bulunmaktadır.

Bu ürün, geri dönüşümlü ve tekrar kullanılabilir nitelikteki yüksek kaliteli parça ve malzemelerden üretilmiştir. DBu nedenle, ürünü, hizmet ömrünün sonunda evsel veya diğer atıklarla birlikte atmayın. Elektrikli ve elektronik cihazların geri dönüşümü için bir toplama noktasına götürün. Bu toplama noktalarını bölgenizdeki yerel yönetime sorun.

### RoHS Yönergesine uygunluk:

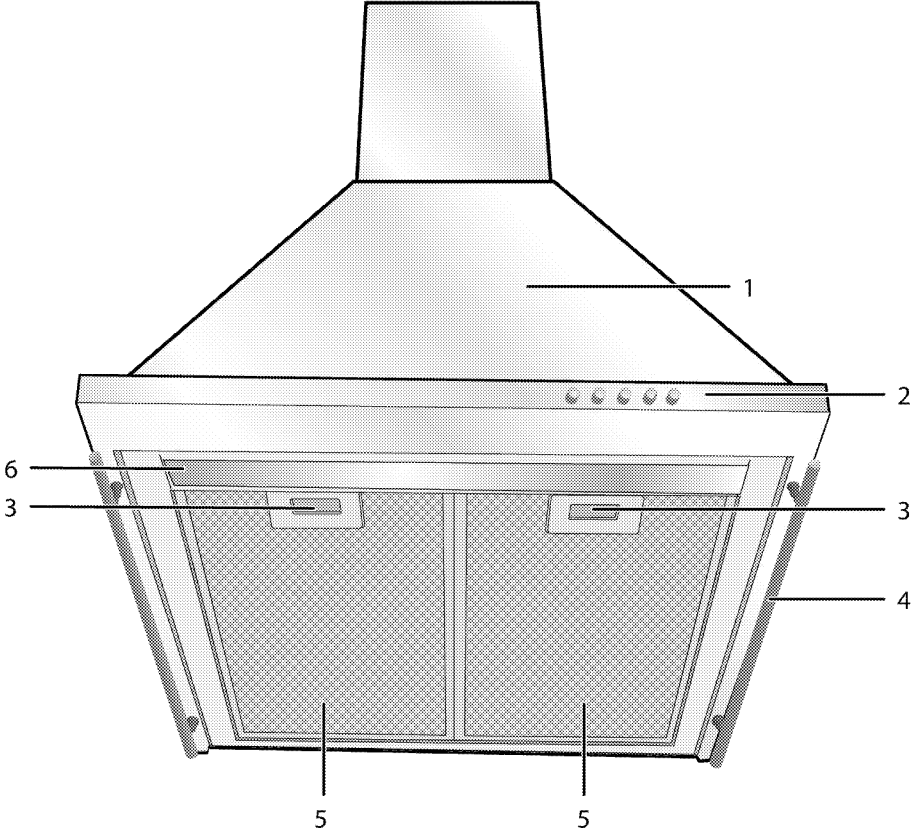
Satın aldığınız ürün, EU RoHS yönergesi (2011/65/EU) ile uyumludur. Bu yönergede belirtilen zararlı ve yasaklanmış maddeler içermez.

### Ambalaj bilgisi

- Ürünün ambalajı, Ulusal Mevzuatımız gereği geri dönüştürülebilir malzemelerden üretilmiştir. Ambalaj atığını evsel veya diğer atıklarla birlikte atmayın, yerel otoritenin belirttiği ambalaj toplama noktalarına atın.

## 2 Ürününüz

### Genel görünüm



- 1 Davlumbaz gövdesi
- 2 Kontrol paneli
- 3 Alüminyum filtre kilidi

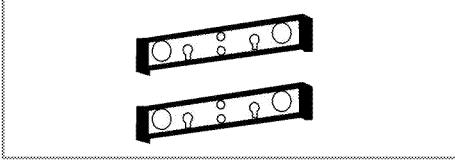
- 4 Tutamak
- 5 Alüminyum filtre
- 6 Lamba

## Teslimat kapsamı

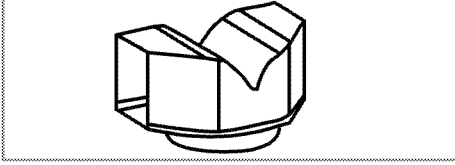


Ürün modeline göre, verilen aksesuar çeşidi değişmektedir. Kullanma kılavuzunda anlatılan tüm aksesuarlar ürününüzde bulunmayabilir.

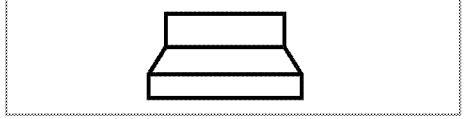
1. Kullanma kılavuzu
2. Duvar bağlantı parçası



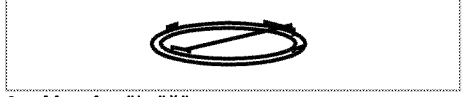
3. Hava yönlendiricisiopsiyonel



4. Baca bağlantı adaptörü



5. Ters hava akışını engelleyici kapakçıklar



6. Mesafe yüksüğü



## Teknik özellikler

Dış boyutlar (yükseklik/genişlik/derinlik)	min.735 mm max. 1130 mm/600 mm/502 mm
Voltaj/frekans	220-240 V ; 50 Hz
Kumanda	3 seviye
Emiş gücü	460 m <sup>3</sup> /h
Toplam elektrik tüketimi	max. 200 W
Kullanılacak sigorta	min. 10 A
Hava çıkış borusu çapı	120 - 150 mm



Ürün kalitesini artırmak için önceden haber verilmeksizin teknik özelliklerde değişiklik yapılabilir.



Kılavuzda yer alan şekiller şematik olup ürün ile bire bir uyum içinde olmayabilir.



Ürünün üzerinde bulunan işaretlemelerde veya ürünle birlikte verilen diğer basılı dokümanlarda beyan edilen değerler, ilgili standartlara göre laboratuvar ortamında elde edilen değerlerdir. Bu değerler, ürünün kullanım ve ortam şartlarına göre değişebilir.



### 3 Kurulum

Ürünün kurulumu için size en yakın Yetkili Servise başvurun. Ürünü kullanıma hazır duruma getirmek için Yetkili Servisi çağırmadan önce, elektrik tesisatının uygun olduğundan emin olun. Değilse ehliyetli bir elektrikçi ve tesisatçı çağırarak gerekli düzenlemeleri yaptırın.



Ürünün yerleştirileceği yerin ve ayrıca elektrik tesisatının hazırlanması müşteriye aittir.



#### UYARI:

Ürünün kurulumunda, elektrik ilgili yerel standartlarda belirtilen kurallara uyulmalıdır.



#### UYARI:

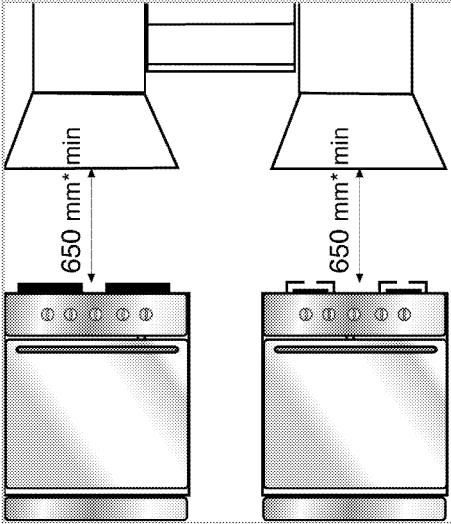
Ürünü kurmadan önce üzerinde herhangi bir hasar olup olmadığını kontrol edin. Ürün hasarlıysa kurulumunu yaptırmayın. Hasarlı ürünler güvenliğinizi için tehlike oluşturur.



#### UYARI:

Uyarı: Vida veya sabitleyici ekipmanın montajının talimatlar doğrultusunda yapılması elektrik tehlikesi doğurabilir.

### Kurulum



\* min.

Davlumbazdaki pişirici cihaz için olan destek yüzey ile ocaklı fırın davlumbazının en alçak noktası arasındaki minimum mesafe 65cm olmalıdır.

Dışarı atılacak hava, gaz veya başka yakıtlar yakan diğer cihazlar tarafından kullanılan bir bacaya

verilmemelidir. (Sadece havayı odaya geri veren cihazlar için geçerli değildir)

Havanın dışarı atılmasıyla ilgili mevzuata uyulmalıdır.

#### Elektrik bağlantısı

Bu cihaz iki izli besleme kablosu ile üretilmiş olup, ana şebekeye çift kutuplu kontak uçları arasında en az 3 mm boşluk bulunan bir elektrik anahtarı ile bağlanmalıdır. Elektrik bağlantısını ehliyetli bir elektrikçiye yaptırın.

- Ürününüzü, kurulum sonrası elektrik bağlantısına (priz, fiş) kolayca ulaşılabilir şekilde monte edin.

#### Davlumbazın kurulumu

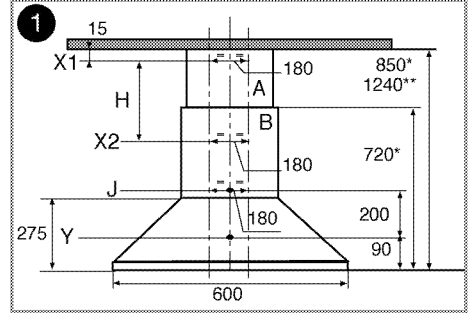


Ölçüler mm cinsinden verilmiştir.

Davlumbazınızı takacağınız yeri uygun hale getirmek için gerekli bilgiler aşağıda yer almaktadır.

Davlumbaz pişiricinin orta eksenine gelecek şekilde monte edilmelidir. Pişirici cihaz ile davlumbazın yağ filtreleri arasında en az mesafe 650 mm olmalıdır.

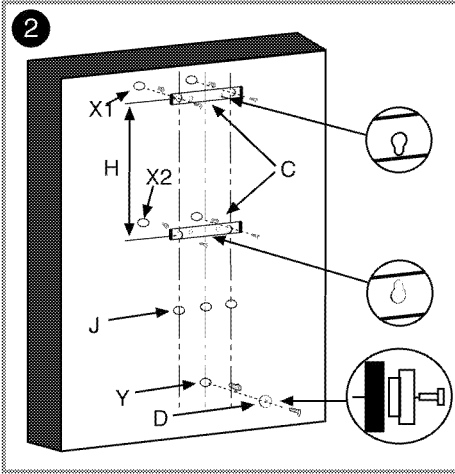
Davlumbazın montajı için aşağıdaki adımlar uygulanmalıdır.



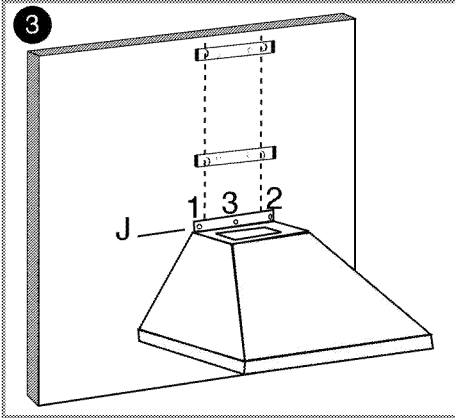
\* min.

\*\* max.

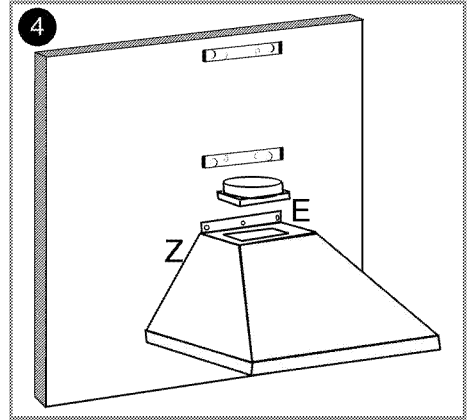
1. Pişirme cihazını ortalayarak duvara 950 mm yüksekliğe kadar bir eksen çizgisi çizin. Daha sonra, bu eksen çizgisinin her iki tarafına 90 mm mesafede tavana kadar eksen çizgisine paralel iki çizgi daha çizin. Bundan sonra eksen çizgisine dik olarak şekil 1'de ölçüleri verilen Y-J-X2 ve X1 çizgilerini çizerek delik konumlarını belirleyin.
2. X, Y, X2, X1 noktalarına gelen sekiz adet 8 mm'lik deliği delin ve ambalajla birlikte verilen plastik dübelleri bu deliklere yerleştirin. Baca bağlantı parçalarının deliklerinin bu deliklere karşılık gelip gelmediğini kontrol edin.



3. Şekil 2'de gösterildiği gibi, aksesuarlarla birlikte verilen iki adet bağlama vidası yardımı ile C bağlantı parçalarını X1 ve X2 deliklerine bağlayın. D mesafe rondelasını, küçük çaplı kısmı duvara gelecek şekilde Y deliğinden duvara vidalayın.



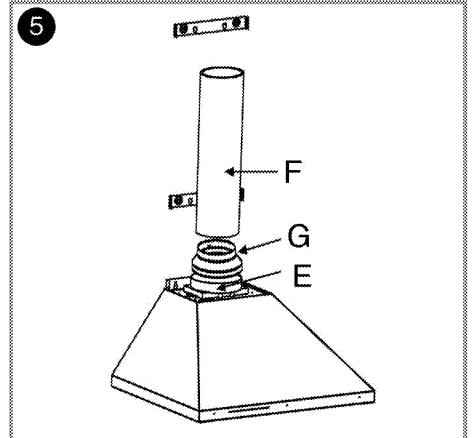
4. Davlumbazı arka sacında bulunan anahtar deliğinden ara mesafe rondelasına takın ve iyice aşağı çekerek yerine tam oturduğundan emin olduktan sonra; gövdenin arka üst tarafında bulunan deliklerden J1 ve J2 gövdeyi duvara vidalayın. Davlumbazın herhangi bir nedenden kaza ile düşmesini önlemek için bir defa da şekil 3'de gösterilen J3 deliğinden duvara vidalayın.



5. Şekil 4'de gösterildiği gibi baca çıkış flanşını E davlumbazın üst kısmında bulunan dikdörtgen çıkış ağzına yerleştirin ve flanşı gövdeye, aksesuarlarla birlikte verilen 2.9 mm kendinden izli vidalarla vidalayın.

#### 6. Baca bağlantı kullanımı için:

Bacaya bağlantılı konumlarda emilen hava yağ filtrelerinden geçerek çıkışa ve buradanda bağlantı boruları vasıtasıyla dış ortama bağlı olduğu bacaya ulaşarak ortamdan dışarı atılır.



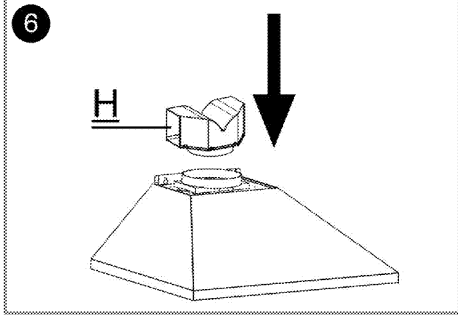
Bu bağlantı konumu kullanıldığında şekil 5'de gösterildiği gibi 150 mm'den 120 mm'ye E bağlantı parçası baca çıkış flanşı üzerine takılmalıdır. Kullanılan baca bağlantı borularının yanmaz plastik malzemeden yapılmış olmasına dikkat edilmelidir. esnek tip bağlantı borusu kullanıldığında keskin köşelerin ve ani daralmaların hava emişini olumsuz etkiliyeceği göz önünde tutulmalıdır. Baca bağlantısı başka amaçlı bir cihazın bağlanmış olduğu bacaya kesinlikle yapılmamalıdır.



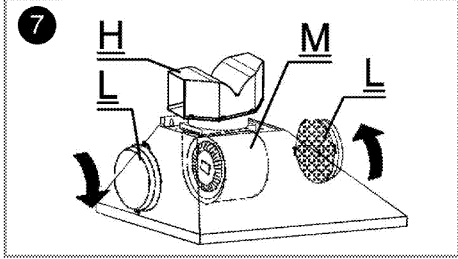
Bağlantı borusu 120 mm'den daha büyük olmamalıdır; aksine uygulama baca bağlantısının uygun bir şekilde yapılmasını engeller.

## 7. Dahili dolaşım (Karbon filtrelili kullanım)

Dahili dolaşım konumunda ortamda emilen hava, yağ filtrelerinden, kokulardan arındırıldığı karbon filtrelerden, hava yönlendiricisinden geçtikten sonra baca üzerindeki izgaralardan ortama geri verilir.



Şekil 6'da gösterildiği gibi hava yönlendiricisi H yerine takılır.



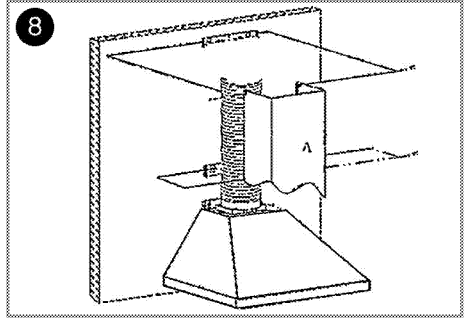
L karbon filtrelerinin üzerinde bulunan kulak yuvalarını şekil 7'de gösterildiği üzere motor taşıyıcısının M üzerindeki kulaklara yerleştirin ve saat ibresinin aksi yönüne döndürerek yerine oturtun. Aynı işlemi diğer taraftaki motor taşıyıcısından uygulayın.



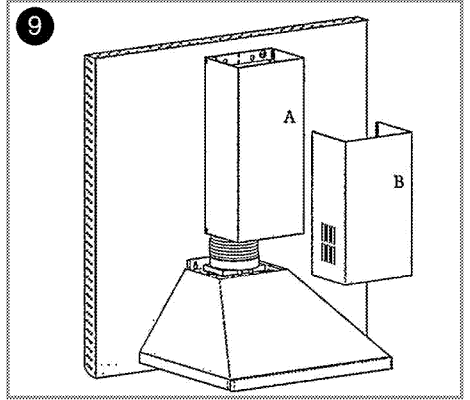
Yağ filtrelerinin düzenli temizliği ve bakımı yapılmadığında ve karbon filtrenin ömrü dolduğunda (yaklaşık 4 ay) değiştirilmediği takdirde yangına neden olma ihtimalleri bulunmaktadır.

## 8. Baca montajı

A üst bacayı yerine monte etmek için, aşağıdaki şekilde gösterildiği gibi üst köşelerini bağlantı C üzerine oturttükten kendinden izli 2.9 mm'lik vidalarla bacayı bağlantı parçasına vidalayın.



X1 ve X2 delikleri arasındaki mesafe üst bacanın kullanım uzunluğuna bağlı olarak montaj sırasında belirlenir.



B alt bacayı yerine monte etmek için, bacanın iki kenarından hafifçe çekerek esnetin ve yukarıdaki şekilde gösterildiği gibi üst bacanın üzerindeki yuvalara geçecek şekilde bacayı üst bacaya oturtun.

## Davlumbazınızı iki türlü kullanabilirsiniz:

### 1-Baca bağlantılı kullanım

Buharlar, davlumbaz üzerindeki bağlantı halkasına tespit edilmiş baca borusu vasıtasıyla dışarı atılır. Baca borusunun çapı bağlantı halkasına eşit olmalıdır. Yatay düzenlemelerde havanın odadan dışarı kolayca çıkması için, borunun yukarıya doğru hafif eğimli (yaklaşık 10°) olması gerekmektedir

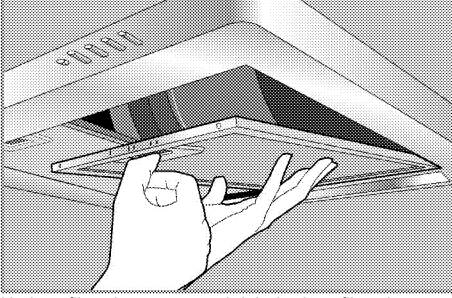


Davlumbazınızda karbon filtre takılı ise, filtre çıkarılmalıdır.

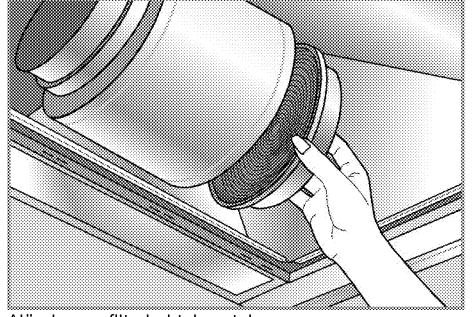
### 2-Baca bağlantısız kullanım

Hava karbon filtreden süzülür ve tekrar odaya geri gönderilir. Karbon filtre evde baca olmaması veya baca borusunun monte edilmesinin imkansız olduğu hallerde kullanılır.

- Alüminyum filtreleri aşağıdaki şekilde olduğu gibi sökün.





- Karbon filtreyi monte etmek için karbon filtreyi fan gövdesinin her iki yanında bulunan plastik parçaya merkezleyerek tırnaklara oturtun.
- Şekildeki gibi sağa ya da sola doğru çevirerek sıkıştırın.



- Alüminyum filtreleri tekrar takın.

### Gelecekteki taşıma işlemleri

- Ürünün orijinal kutusunu saklayın ve ürünü bu kutunun içinde taşıyın. Kutu üzerindeki talimatlara uyun. Orijinal karton yoksa, ürünü balon kabarcıklı ambalaj malzemesiyle veya kalın bir mukavvayla sarın ve sıkıca bantlayın.

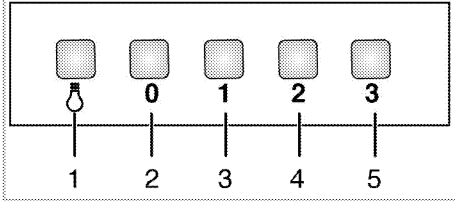
	Ürünün üzerine başka eşya koymayın ve dik olarak taşıyın.
	Taşıma sırasında meydana gelmiş olabilecek her türlü hasara karşı ürünün genel görüntüsünü kontrol edin.

## 4 Davlumbazın kullanılması

Davlumbazda çeşitli hızlara sahip bir motor bulunmaktadır.

İyi bir performans için normal koşullarda düşük hızların, güçlü koku ve buhar yoğunlaşması halinde yüksek hızların kullanılmasını öneririz.

### Davlumbazın çalıştırılması



- 1 Lamba butonu
- 2 Kapatma düğmesi
- 3 Hız1
- 4 Hız2
- 5 Hız3

1. Davlumbazı çalıştırmak istediğiniz hız ayar düğmesine basın.



Aynı anda iki düğmeye birden basmayın. Basıldığı durumda yüksek kademesinde çalışacaktır.

### Davlumbazın kapatılması

1. Davlumbazınız belirli bir hızda çalışırken kapatma düğmesine basın.

### Lambanın çalıştırılması

1. Lambayı çalıştırmak için lamba düğmesine basın.

### Lambanın kapatılması

1. Lambayı kapatmak için yine lamba düğmesine basın.



Kapatma düğmesi lambayı kapatmaz, sadece davlumbazın çalışmasını durdurur.

## 5 Bakım ve temizlik

### Genel bilgiler

Düzenli aralıklarla temizlenmesi halinde ürünün kullanım ömrü uzar ve sık karşılaşılan sorunlar azalır.



#### UYARI:

Bakım ve temizlik işlemlerine başlamadan önce ürünün elektrik bağlantısını kesin.  
Elektrik çarpması tehlikesi vardır!

- Ürün, her kullanımdan sonra iyice temizlenmelidir. Böylece yiyecek artıkları kolayca temizlenir ve ürün daha sonra tekrar kullanıldığında bu artıkların yanması önlenir.
- Ürünün temizliği için özel bir temizleme maddesine gerek yoktur. Ürünü bulaşık deterjanı, ılık su ve yumuşak bir bez ya da sünger kullanarak temizleyip, kuru bir bezle kurulayın.
- Paslanmaz veya inoks yüzeylerin ve tutamağın temizliğinde asit veya klor içeren temizleme maddeleri kullanmayın. Sabunlu yumuşak bir bez ve sıvı (çizici olmayan) deterjan yardımıyla tek yönde silmeye dikkat ederek temizleyin.



Bazı deterjanlar veya temizleme maddeleri yüzeye zarar verebilir.

Temizlik sırasında aşındırıcı deterjanları, temizleme tozları, temizleme kremleri ya da keskin nesnelere kullanmayın.

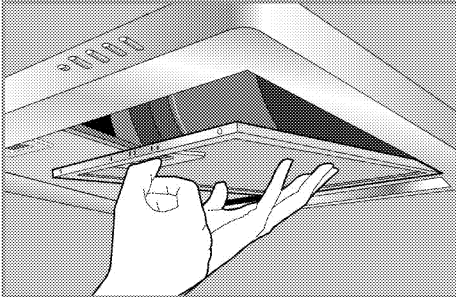


Temizlik için buharlı temizleme ürünlerini kullanmayın.

### Alüminyum filtre

Bu filtre havadaki yağ parçacıklarını tutmaya yarar.

**Filtrenizi normal kullanımda 1 aylık sürelerde temizlemeniz önerilmektedir.** Bu işlem için önce alüminyum filtreleri çıkarınız. Filtreleri sıvı deterjanla suda yıkayıp durulayınız ve kuruduktan sonra yerlerine takınız. Alüminyum filtreler yıkandıkça renk değişimi gözlelenebilir bu durum normaldir filtrenizi değiştirmeniz gerekmez.



Alüminyum filtrelerinizi bulaşık makinesinde de yıkayabilirsiniz.

### Alüminyum filtrelerin sökülmesi

1. Alüminyum filtre kilidini ileri itin.
2. Filtreyi aşağı doğru hafifçe indirip öne çekin. Aksi halde filtreyi eğebilirsiniz.
3. Yıkadıktan sonra alüminyum filtreyi yukarıdaki adımları tersinden uygulayarak yuvasına tekrar takın.

### Karbon filtre (Bacasız kullanım)

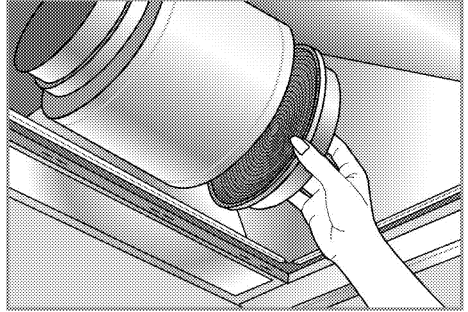


Karbon filtre asla yıkanmamalıdır.

Normal kullanımda 4 ayda bir değiştirilmelidir. Karbon filtreyi Yetkili Servislerinden temin edebilirsiniz.

### Karbon filtrelerin sökülmesi

1. Alüminyum filtreleri sökün
2. Karbon filtreyi çıkarmak için karbon filtreyi çevirerek tırnaktan kurtararak çıkarın.



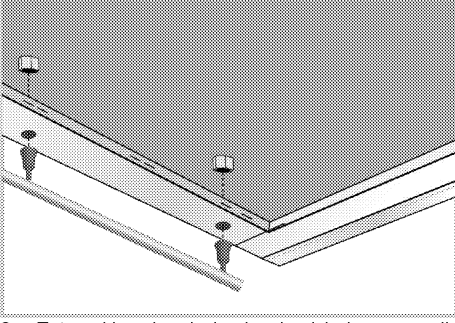
3. Yeni karbon filtreyi takın.
4. Alüminyum filtreleri takın.



Davlumbazınızın filtrelerinin temizlenmesi ve değiştirilmesine ait kurallara uymadığınız takdirde yangına neden olabilirsiniz

### Davlumbaz tutamağının çıkarılması

1. Alüminyum filtreleri kilitlerini iterek çıkarın.
2. Tutamakların ayalarının hizalarında davlumbazın içerisinden somunları gevşetin.



3. Tutamakları yine davlumbaz içerisinden somun ile bağlayarak sabitleyin.
4. Alüminyum filtreleri takın.



Servis desteği verilen ülkelerde, tutamaklar servis tarafından takılacaktır.

### Lambasının değiştirilmesi



#### UYARI:

Lambayı değiştirmeden önce elektrik çarpması riskini ortadan kaldırmak için, elektrik bağlantısını kesin. Lamba ısınmış ise soğumasını bekleyin. Sıcak yüzeyler yanıklara neden olabilir!



Lambanın özellikleri için bkz. *Teknik özellikler, sayfa 9*. Fırın lambaları Yetkili Servislerden temin edilebilir.

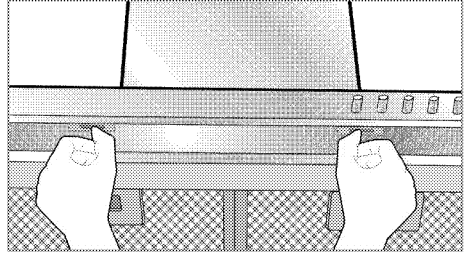


Lambanın konumu, şekilde gösterilenden farklı olabilir.



Bu üründe kullanılan lamba ev odalarının aydınlatmasında kullanım için uygun değildir. Bu lambanın amacı kullanıcının gıda ürünlerini görmesinde yardımcı olmaktır.

1. Lamba tırnaklarını öne doğru iterek lamba plastiğini şekildeki gibi çıkarın.



2. Lambaları yenileriyle değiştirin.
3. Lamba plastiğini aynı yuvaya yerleştirerek plastik tırnakları yerleştirin. Plastik yerine oturduğunda "tık" sesi gelecektir.

## 6 Sorun giderme

### Ürün çalışmıyor.

- Sigorta bozuk veya atmış olabilir. >>> *Sigorta kutusundaki sigortaları kontrol edin. Gerekirse, bunları değiştirin veya yeniden devreye sokun.*
- Ürünün fişi prize takılmamış olabilir. >>> *Fişin prize takılıp takılmadığını kontrol edin.*
- Hız düğmesi ayarlanmamış olabilir. >>> *İstediğiniz hız düğmesine basın.*
- Elektrik gelmiyordur. >>> *Evinizde elektrik olup olmadığını ve sigorta kutusundaki sigortaları kontrol edin. Gerekirse, sigortaları değiştirin veya yeniden devreye sokun.*

### Davlumbaz ışığı yanmıyor.

- Davlumbaz lambası bozuk olabilir. >>> *Davlumbazın lambasını değiştirin.*
- Elektrik gelmiyordur. >>> *Evinizde elektrik olup olmadığını ve sigorta kutusundaki sigortaları kontrol edin. Gerekirse, sigortaları değiştirin veya yeniden devreye sokun.*



Bu bölümdeki talimatları uygulamanıza rağmen sorunu gideremezseniz ürünü satın aldığınız bayi ya da Yetkili Servise başvurun. Çalışmayan ürünü kendiniz onarmayı asla denemeyin.