

---

**GB** **COOKER HOOD** - User instructions

**CZ** **ODSAVAČ PAR** - návod k použití

**DK** **EMHÆTTE** - Brugervejledning

**FIN** **LIESITUULETIN** – Käyttöohje

**GR** **ΑΠΟΡΡΟΦΗΤΗΡΑΣ ΣΕ ΕΚΔΟΣΗ ΑΠΟΡΡΟΦΗΣΗΣ** – Εγχειρίδιο χρήσης

**H** **ELSZÍVÓ KÜRTŐ** – Használati utasítás

**N** **AVTREKSKAPPE** – Bruksanvisning

**PL** **OKAP ZASYSAJĄCY** - instrukcja obsługi

**R** **HOTĂ ASPIRANTĂ** – Manual de utilizare

**RUS** **ВЫТЯЖНОЙ КОЛПАК** - Руководство пользователя

**S** **SPISKÅPA** – Bruksanvisning



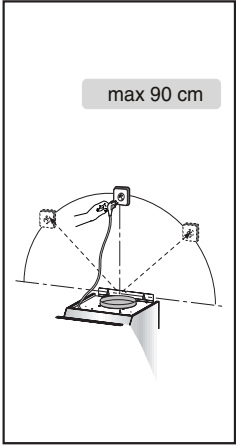
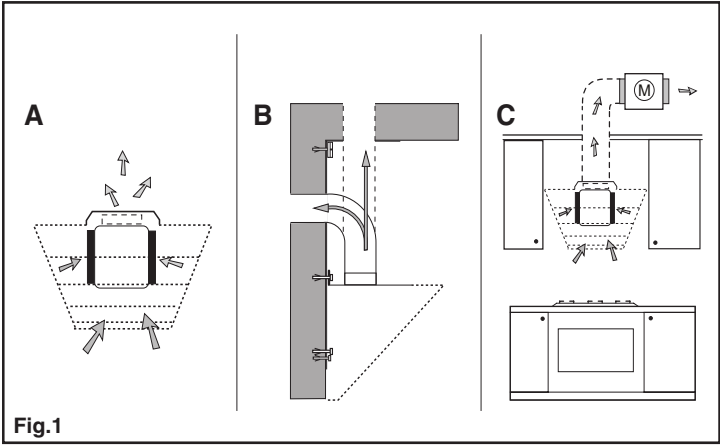


Fig.1

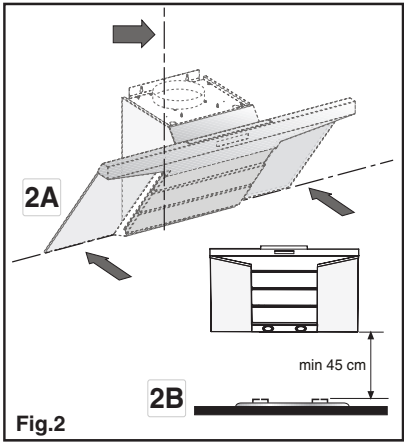


Fig.2

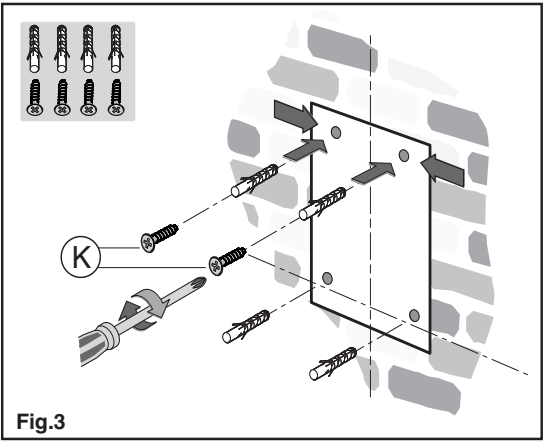


Fig.3

**MODEL 1**

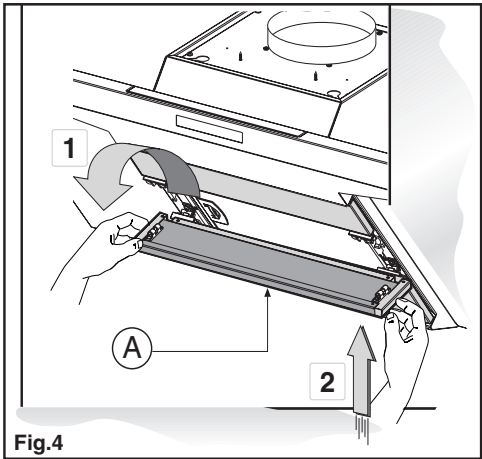


Fig.4

**MODEL 2**

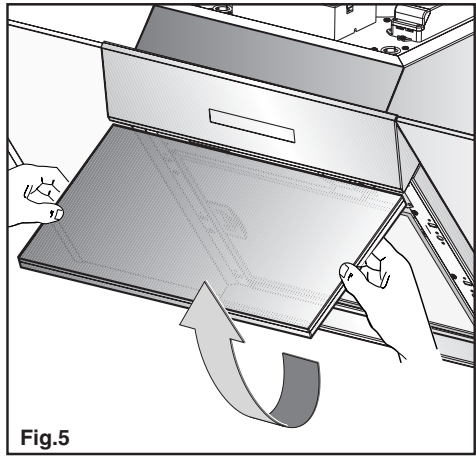
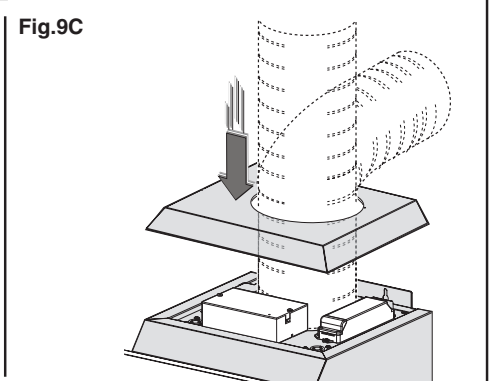
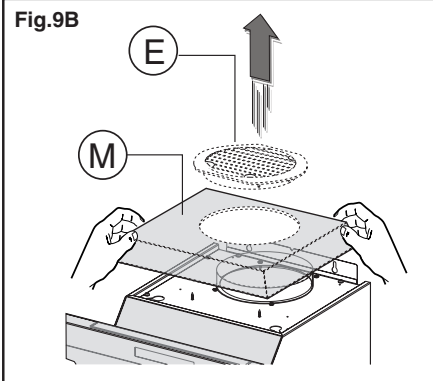
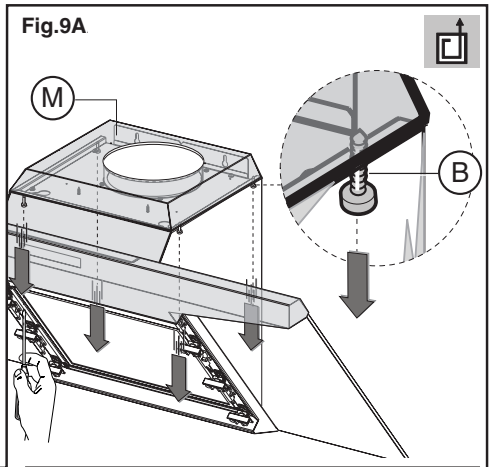
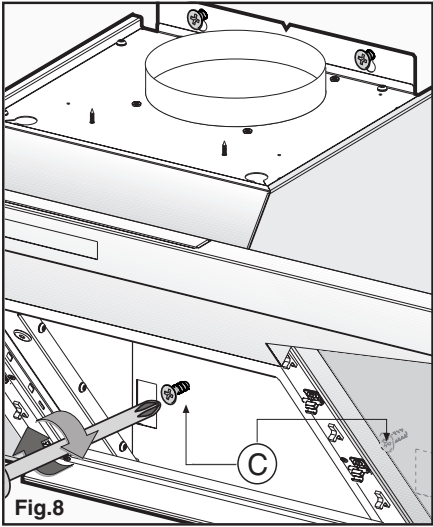
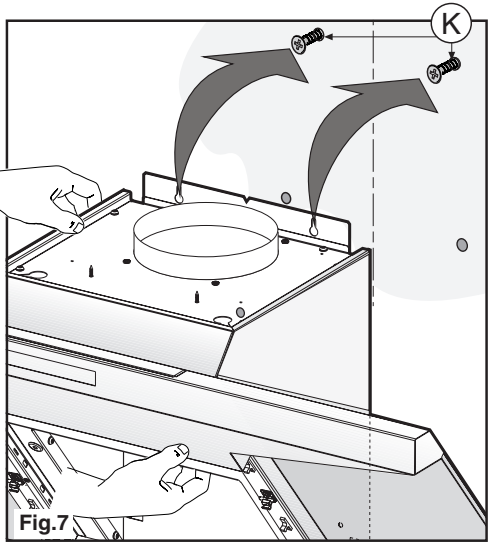
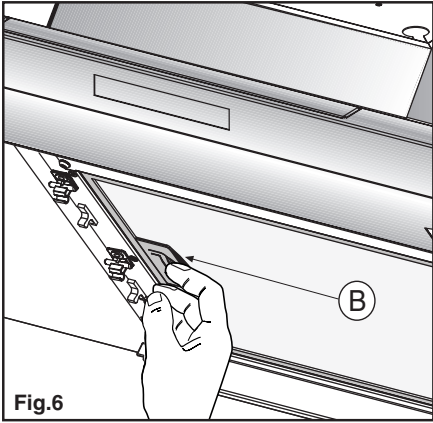
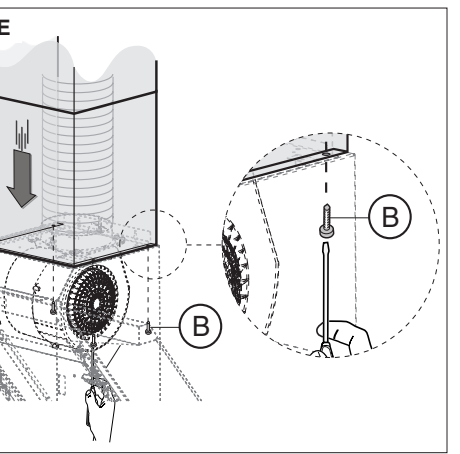
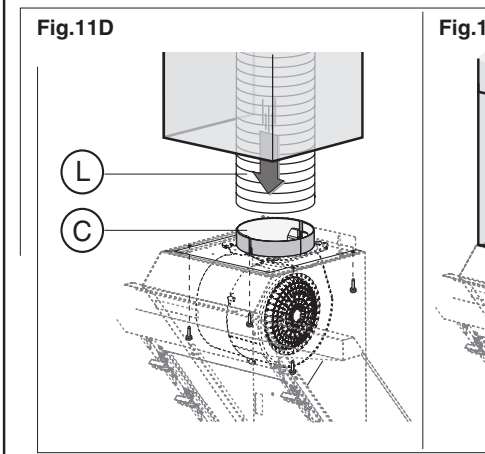
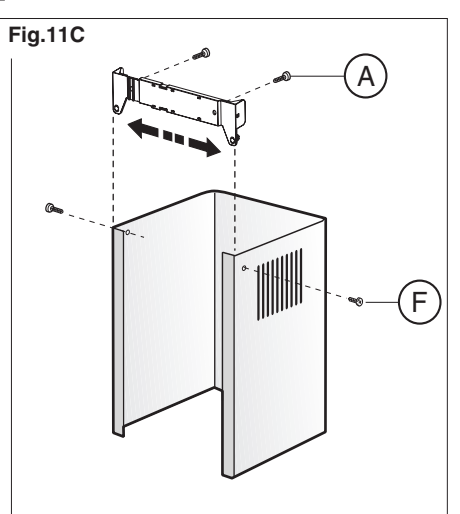
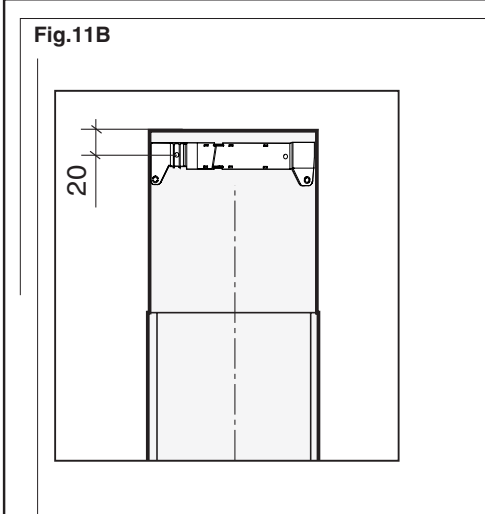
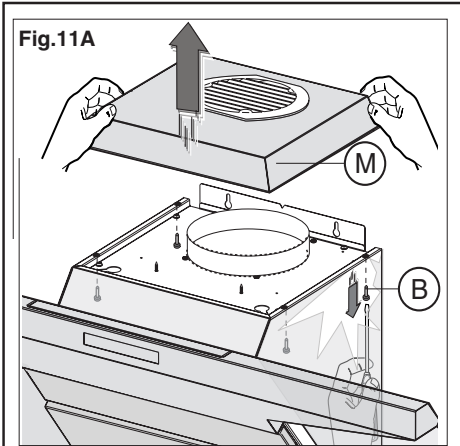
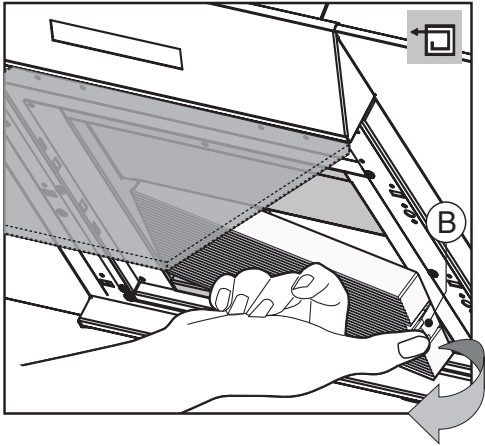
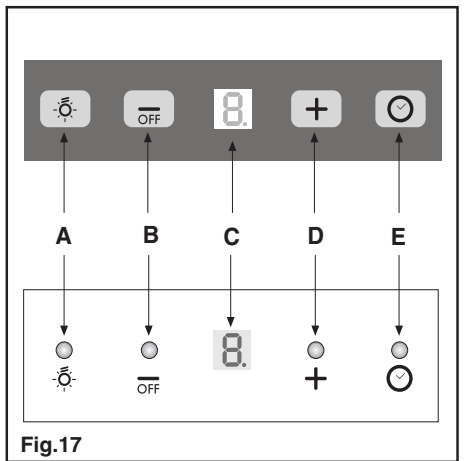
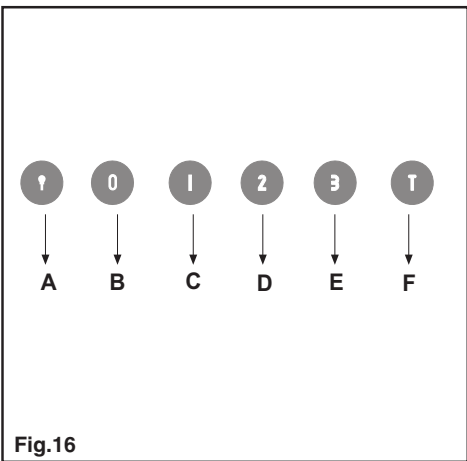
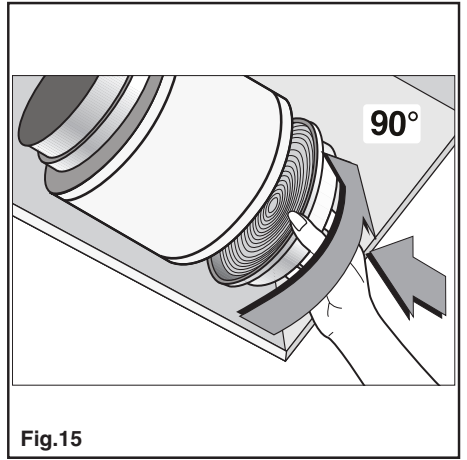
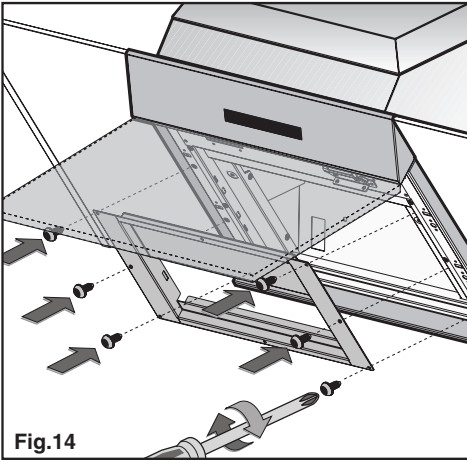
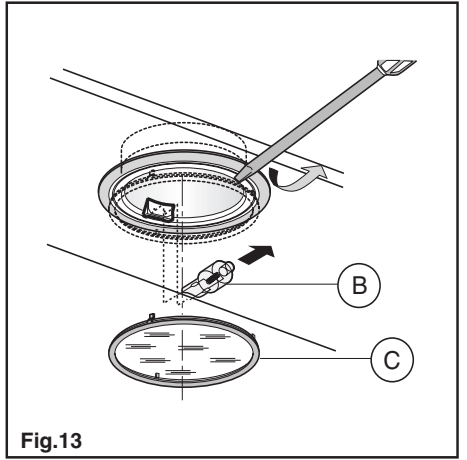
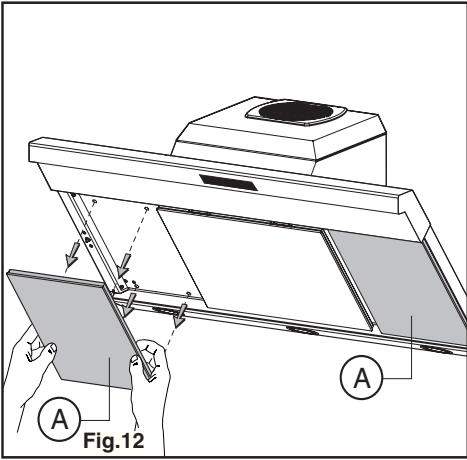


Fig.5







**GENERAL**

Carefully read the following important information regarding installation safety and maintenance. Keep this information booklet accessible for further consultations. The appliance has been designed for use in the ducting version (air exhaust to the outside – Fig.1B), filtering version (air circulation on the inside – Fig.1A) or with external motor (Fig.1C).

**SAFETY PRECAUTION**

1. Take care when the cooker hood is operating simultaneously with an open fireplace or burner that depend on the air in the environment and are supplied by other than electrical energy, as the cooker hood removes the air from the environment which a burner or fireplace need for combustion. The negative pressure in the environment must not exceed 4Pa (4x10<sup>-5</sup> bar). Provide adequate ventilation in the environment for a safe operation of the cooker hood. Follow the local laws applicable for external air evacuation.

**Before connecting the model to the electricity network:**

- Control the data plate (positioned inside the appliance) to ascertain that the voltage and power correspond to the network and the socket is suitable. If in doubt ask a qualified electrician.

- If the power supply cable is damaged, it must be replaced with another cable or a special assembly, which may be obtained direct from the manufacturer or from the Technical Assistance Centre.


**2. WARNING !**

**In certain circumstances electrical appliances may be a danger hazard.**

- A) Do not check the status of the filters while the cooker hood is operating**
- B) Do not touch bulbs or adjacent areas, during or straight after prolonged use of the lighting installation.**
- C) Flambè cooking is prohibited underneath the cooker hood**
- D) Avoid free flame, as it is damaging for the filters and a fire hazard**
- E) Constantly check food frying to avoid that the overheated oil may become a fire hazard**
- F) Disconnect the electrical plug prior to any maintenance.**
- G) This appliance is not intended for use by young children or infirm persons without supervision**
- H) Young children should be supervised to ensure they do not play with the appliance**
- I) There shall be adequate ventilation of the room when the rangehood is used at the same time as appliances burning gas or other fuels**
- L) There is a risk of fire if cleaning is not carried out**

**in accordance with the instructions**

This appliance conforms to the European Directive EC/2002/96, Waste Electrical and Electronic Equipment (WEEE). By making sure that this appliance is disposed of in a suitable manner, the user is helping to prevent potential damage to the environment or to public health.

The  symbol on the product or on the accompanying paperwork indicates that the appliance should not be treated as domestic waste, but should be delivered to a suitable electric and electronic appliance recycling collection point. Follow local guidelines when disposing of waste. For more information on the treatment, re-use and recycling of this product, please contact your local authority, domestic waste collection service or the shop where the appliance was purchased.

**INSTALLATION INSTRUCTIONS****Assembly and electrical connections must be carried out by specialised personnel.****• Electric Connection**

The appliance has been manufactured as a class II, therefore no earth cable is necessary.

The connection to the mains is carried out as follows:

BROWN = L line

BLUE = N neutral

If not provided, connect a plug for the electrical load indicated on the description label. Where a plug is provided, the cooker hood must be installed in order that the plug is easily accessible.

An omnipolar switch with a minimum opening of 3mm between contacts, in line with the electrical load and local standards, must be placed between the appliance and the network in the case of direct connection to the electrical network.

• The distance between the supporting surface of the cooking appliance on which the cooking recipients are placed and the lower part of the kitchen hood must be a minimum of 45 cm, whether it is an electric hob, a gas hob or an induction hob.

If a connection tube composed of two parts is used, the upper part must be placed outside the lower part. Do not connect the cooker hood exhaust to the same conductor used to circulate hot air or for evacuating fumes from other appliances generated by other than an electrical source.

• In the case of assembly of the appliance in the suction version prepare the hole for evacuation of the air.

• **We recommend the use of an air exhaust pipe with a diameter of 150. If a pipe with a smaller diameter is used, the efficiency of the product may be reduced and its operation may become noisier.**

• Before starting to fix the hood, disconnect the anti-grease filter **B** (Fig.6) for easier appliance handling.

Before this operation, perform the following steps depending on the model purchased:

#### MODEL 1

Remove the 3 panels **A** as shown in Fig.4.

Pull handle **B** as shown in Fig.6.

#### MODEL 2

Open panel **C** as shown in Fig.5.

Pull handle **B** as shown in Fig.6.

If the appliance has a lid, remove it by removing the 4 screws **B** as shown in Fig.9A.

#### • WALL FIXING

Mark the position of the lower side of the hood on the wall (Fig.2A). Maintain the minimum distance required from the hob as shown in Fig.2B.

- Position the fixing template on the wall, making sure that the line coincides with the line previously made on the wall.

- Mark the fixing holes and cut them into the material (Fig.3).

- Fix the 2 top screws **K** and screw anchors (Fig.3), without tightening them completely.

- Place the appliance against the wall, align it in horizontal position and tighten screws **K** (Fig.7).

- Once the adjustment has been completed, fix the hood using the 2 screws **C** (Fig.8).

- When carrying out the fixing operations, use only screws and screw anchors suited to the type of wall (e.g. reinforced concrete, plasterboard etc.).

- If the screws and screw anchors are supplied with the appliance, make sure that they are suited to the type of wall to which the hood must be fixed.

#### • INSTALLATION OF MODELS WITHOUT DECORATIVE DUCTS

##### EXTRACTOR HOOD

- Remove the 4 screws **B** as shown in (Fig.9A).

- Remove both grid **E** on the air outlet hole and lid **M** as shown in (Fig.9B).

- Connect the hood to the flexible hose (not supplied) and the hose to the air exhaust hole previously prepared (Fig.9C).

- Fix the lid once again by using the 4 screws previously removed in (Fig.9A).

#### • OPTIONAL ACCESSORIES

This model may have decorative ducts as optional accessories - ask your retailer for information.

Before fixing the decorative ducts, remove both the 4 screws **B** and lid **M**, as shown in (Fig.10A-B).

A sound-absorbing kit is also available (to be ordered as an **OPTIONAL** accessory) in order to increase the quietness level of the hood. The sound-absorbing layer must be applied to the back of the decorative panel. For fixing operations, refer to the instructions supplied with the kit.

#### • INSTALLATION OF MODELS WITH DECORATIVE DUCTS

Make sure the electrical power supply is within the measurements of the decorative connector.

Adjust the width of the support bracket of the top connector

(Fig.11C). Then fix it to the ceiling so that it is on the same axis as the hood using screws **A** (Fig.11C) adhering to the distance from the ceiling shown in (Fig.11B). Connect flange **C** to the air exhaust hole using flexible hose **L** (Fig.11D).

Slide the top duct into the bottom duct. Fix the bottom duct to the hood using screws **B** (supplied) (Fig.11E).

Pull out the top duct as far as the bracket and fix it using screws **F** (Fig.11C).

#### • FILTER HOOD

##### Please note:

The filters should be ordered as accessories from your retailer.

We offer 2 different types of kit which can be used to transform the **EXTRACTOR** hood into a **FILTER** hood, in accordance with the type of appliance model purchased. One kit contains extractable filters (fig. 10) and the other contains circular filters (fig. 15).

1- If you find a bracket (such as the one indicated in fig. 14) included in the product packaging, this should be fixed to the hood using the 6 screws supplied.

To replace the active carbon filters pull lever **B** outwards as shown in (Fig.10).

2- If your product is not supplied with a bracket, this means that the active carbon filter is a circular version (fig. 15).

The filters should be fitted to the extraction assembly inside the hood, by centring them and rotating them 90 degrees, until they click into place (Fig. 15).

## USE AND MAINTENANCE

• It is recommended to operate the appliance prior to cooking.

It is recommended to leave the appliance in operation for 15 minutes after cooking is terminated in order to completely eliminate cooking vapours and odours.

The proper function of the cooker hood is conditioned by the regularity of the maintenance operations, in particular, the active carbon filter.

• The anti-grease filters capture the grease particles suspended in the air, and are therefore subject to clogging according to the frequency of the use of the appliance.

In order to prevent fire hazard, it is recommendable to clean the filter at a maximum of 2 months by carrying out the following instructions:

- Remove the filters from the cooker hood and wash them in a solution of water and neutral liquid detergent, leaving to soak.

- Rinse thoroughly with warm water and leave to dry.

- The filters may also be washed in the dishwasher.

The aluminium panels may alter in colour after several washes. This is not cause for customer complaint nor replacement of panels.

• The active carbon filters purify the air that is replaced in the environment. The filters are not washable nor re-useable and must be replaced at maximum every four months. The saturation of the active carbon filter depends on the frequency of use of the appliance, by the type of cooking and the regularity of cleaning the anti-grease filters.



- Clean the fan and other surfaces of the cooker hood regularly using a cloth moistened with denatured alcohol or non abrasive liquid detergent.
- The illumination installation is designed for use during cooking and not for prolonged general illumination of the environment. Prolonged use of the illumination installation notably reduces the duration of the bulb.

**Please note:**

**If your appliance model is fitted with side panels (A), for more thorough cleaning these can be removed by pulling them in the direction indicated in fig. 12.**

**• Replacing halogen light bulbs (Fig. 13).**

To replace the halogen light bulbs **B**, remove the glass panel **C** using a lever action on the relevant cracks. Replace the bulbs with new ones of the same type.

**Caution: do not touch the light bulb with bare hands.**

**COMMANDS: (Fig.17)**

**Push-button A** = on/off lights switch

**Push-button B** = on/off cooker hood switch. The appliance switches on at speed level 1, If the cooker hood is on depress the push-button for 2 sec. to switch off the cooker hood. If the cooker hood is at speed level 1 it will not be necessary to depress the push-button to switch the cooker hood off. Decreases the motor speed.

**Display C** = indicates the motor speed level selected and activates the timer.

**Push-button D** = switches on the cooker hood. Increases the motor speed. Touching the key at 3rd speed, the intensive function runs for 10', then the appliance go back to work at the original speed. During this function the display blinks.

**Key E** = The Timer times the functions on activation for 15 minutes, after which they are switched off. The Timer is deactivated by re-pressing **Key E**. When the Timer is activated the decimal point must flash on the display. The Timer cannot be activated if the intensive speed is functioning.

The "**clean air**" function is activated by pressing key **E** for 2 seconds when the appliance is switched off. This switches the motor on for 10 minutes every hour at the first speed.

During functioning a rotary movement of the peripheral segments must be visualised on the display. When this time has passed the motor switches off and the fixed letter "**C**" must be visualised on the display until the motor re-starts after 50 minutes for another 10 minutes and so on.

Press any key apart from the light keys to return to normal functioning. Press key **E** to deactivate the function.

**• Active carbon/grease filter saturation:**

- When display item **C** flashes, at a speed where it alternates with the letter **F** (e.g. 1 and **F**), the grease filters must be washed.

- When display item **C** flashes, at a speed where it alternates with the letter **A** (e.g. 1 and **A**), the carbon filters must be replaced.

After the clean filter has been positioned correctly, the electronic memory must be reset by pressing button **A** for approximately **5 seconds**, until the indication **F** or **A**

shown on the display **C** stops flashing.

**• COMMANDS:** (Fig.16) **LUMINOUS** the key symbols are explained below:

**A** = LIGHT

**B** = OFF

**C** = SPEED I

**D** = SPEED II

**E** = SPEED III

**F** = AUTOMATIC STOP TIMER - 15 minutes (\*)

• If your appliance does not have the **INTENSIVE** speed function, press key **E** for two seconds and it will be activated for 10 minutes after which it will return to the previously set speed.

When the function is active the LED flashes. To interrupt it before the 10 minutes have expired press key **E** again.

• By pressing key **F** for two seconds (with the hood switched off) the "**clean air**" function is activated. This function switches the appliance on for ten minutes every hour at the first speed. As soon as this function is activated the motor starts up at the first speed for ten minutes, During this time key **F** and key **C** must flash at the same time. After ten minutes the motor switches off and the LED of key **F** remains switched on with a fixed light until the motor starts up again at the first speed after fifty minutes and keys **F** and **C** start to flash again for ten minutes and so on.

By pressing any key for the exclusion of the hood light the hood will return immediately to its normal functioning (e.g. if key **D** is pressed the "**clean air**" function is deactivated and the motor moves to the 2nd speed straight away. By pressing key **B** the function is deactivated).

(\*) The "**automatic stop timer**" delays stopping of the hood, which will continue functioning for 15 minutes at the operating speed set at the time this function is activated.

**• Active carbon/grease filter saturation:**

- When button **A** flashes at a frequency of **2 seconds**, the **grease** filters must be cleaned.

- When button **A** flashes at a frequency of **0.5 seconds**, the carbon filters must be replaced.

After the clean filter has been replaced, the electronic memory must be reset by pressing button **A** for approximately **5 seconds**, until the light on the button stops flashing.

**THE MANUFACTURER DECLINES ALL RESPONSIBILITY FOR EVENTUAL DAMAGES CAUSED BY BREACHING THE ABOVE WARNINGS.**

**ÚVOD**

Přečtěte si pozorně obsah návodu, protože poskytují důležité informace týkající se bezpečné instalace, používání i údržby zařízení. Uchovejte si návod pro jakoukoliv budoucí potřebu.

Přístroj je určen k odsávání (odvádění vzduchu ven – obr.1B), filtrování (recyklace vzduchu v místnosti – obr.1A) nebo k použití s externě umístěným motorem (obr.1C).

**BEZPEČNOSTNÍ OPATŘENÍ**

1. Vyžaduje se opatrnost, jestliže jsou současně v činnosti odsavač par a jiný hořák nebo tepelné zařízení závisující na vzduchu místnosti a napájené jinou energií než elektrickou, protože odsavač par spotřebovává vzduch z okolí, který hořák nebo jiné tepelné zařízení potřebují ke spalování. Negativní tlak nesmí překročit 4Pa (4x10<sup>-5</sup> bar). K bezpečnému provozu je tedy nutná odpovídající ventilace místnosti. Při odvádění vzduchu do vnějšího prostředí je nutné se řídit platnými předpisy Vaší země.

**Před napojením modelu na elektrickou síť:**

- Zkontrolujte tabulku s údaji umístěnou uvnitř přístroje a ověřte si, že napětí a výkon odpovídají místní síti a rovněž zásuvka je vhodná.

V případě jakékoliv pochyby se poraďte s kvalifikovaným elektrikářem.

- Je-li napájecí kabel poškozen, musí být nahrazen speciálním kabelem nebo sadou, které jsou k dispozici u výrobce nebo v jeho servisním středisku.

**2. UPOZORNĚNÍ !**

**Za určitých okolností mohou být elektrické spotřebiče nebezpečné.**

**A) Neprovádějte kontrolu filtrů se zapnutým spotřebičem**

**B) Nedotýkejte se žárovek a prostoru kolem nich během užití nebo ihned po dlouhodobém užití osvětlovacího zařízení.**

**C) Nedotýkejte se žárovek, bylo-li zařízení déle v chodu**

**D) Je zakázáno upravovat pokrmy manipulí přímého ohně pod fungujícím odsavačem**

**E) Vyvarujte se volnému plameni, je škodlivý pro filtry a mohl by způsobit požár**

**F) Při smažení jídel zajistěte, aby se rozpálený olej nevznítal**


**G) Zařízení nebylo navrženo pro použití dětmi nebo nesvéprávními osobami bez dozoru.**

**H) Zkontrolujte, zda si děti nehrají se zařízením.**

**I) Před provedením jakékoliv údržby vypněte přístroj z elektrické sítě.**

Toto zařízení je označeno v souladu s Evropskou směrnicí 2002/96/ES, Waste Electrical and Electronic Equipment (WEEE). Tím, že se uživatel ujistí o správné likvidaci tohoto výrobku, přispívá k předcházení případným

negativním následkům na životní prostředí a na zdraví.

Symbol  na výrobku nebo na přiložené dokumentaci poukazuje na to, že se s tímto výrobkem nesmí zacházet jako s běžným domovním odpadem, ale musí se odeslat do vhodné sběrný určené pro recyklaci elektrických a elektronických zařízení. Zařízení se musíte zbavit v souladu s místními předpisy pro likvidaci odpadu. Podrobnější informace o zacházení s tímto výrobkem, jeho opětovným použitím a recyklací můžete získat, když se obrátíte na příslušný místní úřad, sběrnou službu domovního odpadu nebo obchod, ve kterém jste výrobek zakoupili.

**NÁVOD K INSTALACI**

**Operace spojené s montáží a elektrická napojení musí být provedeny pouze odborným personálem.**

**• Elektrické zapojení**

Zařízení je vyrobeno v II. třídě, a proto žádný vodič nesmí být uzemněn.

Napojení k elektrické síti musí být provedeno následovně:

HNĚDA = L vodič

MODRÁ = N neutrální vodič

Na přívodní kabel, pokud ji již neobsahuje, namontujte zástrčku normalizovanou pro příkon uvedený v technických charakteristikách výrobku.

V případě přímého zapojení na elektrickou síť je nezbytné přístroj připojit přes vícepólový spínač s minimální vzdáleností 3 mm mezi rozpojenými kontakty, dostatečně dimenzovaný a odpovídající platným normám.

• Minimální vzdálenost povrchu, na který se kladou nádoby na vaření a který se nachází na zařízení používaném k vaření, od nejnižší části odsavače u varné desky s elektrickým, plynovým nebo indukčním ohřevem musí být nejméně 45 cm.

Vývod odsavače nesmí být napojen na vývod, ve kterém cirkuluje teplý vzduch, nebo který je používán k odvádění kouře ze zařízení napájených jinou energií než elektrickou.

• V případě montáže přístroje ve verzi odsavače je třeba připravit otvor k evakuaci vzduchu.

• **Doporučuje se použití kouřové trubky s průměrem 150. Použití redukce by mohlo negativně ovlivnit vlastnosti výrobku a zvýšit hlučnost**

• Před zahájením montáže vyjměte z odsavače protitukový filtr **B** (obr. 6). Uspadněte si tak manipulaci se zařízením. Před provedením této operace proveďte následující fáze na základě modelu, který vlastníte:

**MODEL 1**

Sejměte 3 panely **A** způsobem naznačeným na obr. 4. Potáhněte za rukojeť **B** způsobem naznačeným na obr. 6.

## MODEL 2

Otevřete panel **C** způsobem naznačeným na obr. 5.  
Potáhněte za rukojeť **B** způsobem naznačeným na obr. 6.

Když je zařízení dodáno s krytem, odmontujte jej odšroubováním 4 šroubů **B** způsobem naznačeným na obrázku **9 A**.

### • UPEVNĚNÍ NA STĚNU

Vyznačte na stěně úroveň spodního okraje odsavače v souladu s obr. **2A** (mějte na paměti minimální vzdálenost od varné desky - obr. **2B**).

- Umístěte upevňovací šablonu na stěnu a dbejte přitom, aby se příslušná čára shodovala s čarou naznačenou v předcházejícím odstavci.

- Vyznačte a připravte montážní otvory (obr. 3).

- Upevněte **2** horní šrouby **K**, aniž byste je zcela zašroubovali; upevněte i rozpěrné kotvy (obr. 3).

- Umístěte zařízení na stěnu, vyrovnejte jej do vodorovné polohy a zašroubujte šrouby **K** (obr. 7).

- Při různých montážích používejte šrouby a rozpěrné kotvy vhodné pro daný druh stěny (např. z betonu, sádkokartonu atd.)

- V případě, že se šrouby a kotvy dodávají v příslušenství výrobku, se ujistěte, zda jsou vhodné pro daný druh stěny, ke které má být připevněn odsavač.

### • INSTALACE MODELŮ BEZ ESTETICKÝCH KOMÍNŮ SACÍ VERZE

- Odmontujte **4** šrouby **B** způsobem naznačeným na (obr. **9 A**).

- Odložte mřížku **E**, umístěnou nad otvorem pro výstup vzduchu, i kryt **M**, a to způsobem naznačeným na (obr. **9 B**).

- Připojte odsavač k hadici (nedodává se), jejíž druhý konec bude připojen k předem připravenému otvoru na odvádění vzduchu (obr. **9 C**).

- Znovu upevněte kryt **4** šrouby s použitím šroubů, které jste předtím odmontovali (obr. **9 A**).

### • VOLITELNÉ PŘÍSLUŠENSTVÍ

Tento model odsavače může být v rámci volitelného příslušenství vybaven estetickými komínky, o které je třeba požádat vašeho prodejce.

Před instalací estetických komínků je třeba odmontovat **4** šrouby **B** a kryt **M** způsobem naznačeným na (obr. **10 A - B**).

Dále je k dispozici fonoabsorpční sada (kterou je třeba objednat v rámci **VOLITELNÉHO PŘÍSLUŠENSTVÍ**), umožňující snížit hluchost odsavače. Tato fonoabsorpční vrstva se aplikuje na estetický panel. Při montáži je třeba postupovat dle pokynů, které jsou součástí uvedené sady.

### • INSTALACE MODELŮ S ESTETICKÝMI KOMÍNKY

Přiveďte elektrické napájení do prostoru dekorativního spoje.

Seřídte šířku opěrného třmene horního spoje (Obr. **11 C**). Poté jej upevněte na strop tak, aby se nacházel v jedné ose s vaším odsavačem; upevnění proveďte prostřednictvím

šroubů **A** (Obr. **11 C**) a za dodržení vzdálenosti od stropu, která je uvedena na (Obr. **11 B**). Prostřednictvím hadice **L** připojte přírubu **C** k otvoru pro odvádění vzduchu (Obr. **11 D**).

Zasuňte horní komín dovnitř spodního komínu. Upevněte spodní komín k odsavači s použitím šroubů **B** z příslušenství (Obr. **11 E**).

Vyvlačte horní komín až po třmen a upevněte jej prostřednictvím šroubů **F** (Obr. **11 C**).

### • FILTRAČNÍ VERZE

#### Upozornění!

Uhlíkové filtry se musí objednat u vašeho prodejce jako příslušenství.

Pro změnu odsavače z **ODSÁVACÍ** verze na **FILTRAČNÍ** verzi máme na základě modelu, který vlastníte, k dispozici 2 druhy odlišných sad, jednu s kazetovými filtry (obr. 10) a druhou s kruhovými filtry (obr. 15).

1- Když v balení najdete třmen jako ten, který je znázorněn na obr. 14, je třeba jej upevnit k odsavači prostřednictvím 6 šroubů z příslušenství.

Při výměně filtrů s aktivním uhlím je třeba potáhnout směrem ven páku **B**, a to způsobem naznačeným na (obr. 10).

2- Když v obalu vašeho výrobku není dodán třmen, znamená to, že filtr s aktivním uhlím je kruhový (obr. 15).

Filtry musí být aplikovány na odsávací jednotku uvnitř odsavače a je třeba je vystředit vůči samotnému odsavači a otočit o 90 stupňů až do zacvaknutí (obr. 15).

## POUŽITÍ A ÚDRŽBA

• Doporučujeme uvést zařízení do činnosti ještě před zahájením přípravy jakéhokoli jídla. Doporučujeme ponechat zařízení v činnosti také na dobu 15 minut po ukončení přípravy jídel, aby byl zcela odveden zapáchající vzduch.

Správná činnost odsavače je podmíněna správnou a nepřetržitou údržbou; zvláštní pozornost je třeba věnovat protukukovému filtru a filtru s aktivním uhlím.

• Protukukový filtr má za úkol zachycovat mastné částice nacházející se ve vzduchu, proto je v průběhu proměnné doby vystaven ucupávání; tato doba závisí na používání zařízení.

Akrylový filtr, který je uložen na mřížce, je třeba vyměnit, když dojde ke změně barvy nápisů viditelných přes mřížku a k expanzi použitého inkoustu; nový filtr musí být aplikován tak, aby byly nápisy viditelné přes mřížku z vnější části odsavače.

V případě, že akrylové filtry nejsou vybaveny nápisy, nebo v případě, že jsou přítomné kovové filtry nebo filtry s hliníkovým panelem, je třeba tyto filtry umýt podle následujících pokynů maximálně každé 2 měsíce:

- Vyměňte filtr z mřížky a umytej jej roztokem vody a tekutého neutrálního čistícího prostředku a nechte odmočit špinu.

- Opláchněte jej dostatečným množstvím vlažné vody a nechte uschnout.

Kovové filtry a/nebo hliníkový panel se mohou umývat i v myčce nádob. Po několika umytích může u hliníkových filtrů nebo panelů dojít ke změně barvy. Tato skutečnost neumožňuje podání reklamace za účelem jejich výměny. V případě nedodržení pokynů pro výměnu a mytí

protitukových filtrů se může vyskytnout riziko jejich zapálení.

- Filtry s aktivním uhlím slouží k čištění vzduchu, který se znovu vhání do okolního prostředí. Filtry se nesmí mýt ani regenerovat a musí se měnit maximálně každé čtyři měsíce. Nasycení aktivního uhlí závisí na krátkodobém nebo déletrvajícím používání zařízení, na druhu sporáku a pravidelnosti, se kterou se provádí vyčištění protitukového filtru.

- Pravidelně vyčistěte všechny nánosy na ventilátoru a na dalších plochách s použitím navlhčeného hadru a denaturovaného lihu nebo tekutých neutrálních neabrazivních čistících prostředků.

- Osvětlení je navrženo pro použití během vaření a ne pro dlouhodobější použití za účelem osvětlení okolního prostředí. Dlouhodobější použití osvětlení výrazně snižuje průměrnou životnost žárovek.

### Upozornění!

**Když je váš model vybaven bočními panely (A), je možné provést důkladnější vyčištění jejich vytažením ve směru naznačeném na obr. 12.**

### • Výměna halogenových žárovek (obr. 13).

Při výměně halogenových žárovek B sejměte sklíčko C po jeho nadzvednutí v místě příslušných otvorů. Žárovky nahradte novými žárovkami stejného druhu.

**Upozornění: Nedotýkejte se žárovky holýma rukama.**

### OVLÁDÁNÍ (Obr. 17):

**Tlačítko A** – rozsvítí/zhasne světla

**Tlačítko B** – zapne/vypne odsávač. Přístroj je uveden do chodu při první rychlosti. Je-li odsávač zapnutý, vypněte jej stisknutím tlačítka na 2 sek. Pokud se odsávač nachází ve fázi první rychlosti, není nezbytné dlouze stisknout tlačítko za účelem vypnutí. Snižuje se rychlost motoru.

**Displej C** – ukazuje zvolenou rychlost motoru a uvedení do chodu časového spínače

**Tlačítko D** – zapne odsávač. Zvyšuje rychlost motoru. Stiskne-li se tlačítko od třetí rychlosti, je nastavena intenzivní funkce na 10 vteřin, pak se přístroj vrátí do fáze pracovní rychlosti v okamžiku uvedení do chodu. Během této funkce displej bliká.

**Tlačítko E** = Časovač slouží k časovému ovládní funkcí v průběhu 15 minut po jeho aktivaci; po uplynutí uvedené doby se tyto funkce vypnou. Vypnutí časovače se provádí stisknutím tlačítka E. Aktivace funkce časovače musí být signalizována blikáním desetinné tečky na displeji. Je-li aktivována intenzivní rychlost, aktivace časovače není možná.

Stisknutím tlačítka E na 2 sekundy při vypnutém zařízení se aktivuje funkce „clean air“. V rámci této funkce se motor zapne každou hodinu na 10 minut a během této doby se bude otáčet první rychlostí. Během jeho činnosti bude na displeji zobrazen rotační pohyb obvodových segmentů. Po uplynutí uvedené doby dojde k vypnutí motoru a na displeji musí být zobrazeno písmeno „C“, aniž by blikalo, dokud nebude po uplynutí dalších 50 minut motor znovu spuštěn na 10 minut, a tak dále.

- Nasycení protitukových filtrů/filtrů s aktivním uhlím: Fig.11

- Když displej C bliká a střídavě zobrazuje provozní

rychlost a písmeno F (např.1 a F), je třeba vyčistit protitukové filtry.

- Když displej C bliká a střídavě zobrazuje provozní rychlost a písmeno A (např.1 a A), je třeba vyměnit uhlíkové filtry.

Po vložení čistého filtru je třeba vynulovat elektronickou paměť stisknutím tlačítka A na dobu přibližně 5 sek., dokud signalizace F nebo A na displeji C nepřestane blikat.

**OVLÁDÁNÍ: (Obr.16 SVĚTELNÉ** následuje přehled symbolů:

**Tlačítko A** – OSVĚTLENÍ

**Tlačítko B** – VYPNUTÍ

**Tlačítko C** – PRVNÍ RYCHLOST

**Tlačítko D** – DRUHÁ RYCHLOST

**Tlačítko E** – TŘETÍ RYCHLOST

**Tlačítko F** – ČASOVÝ SPÍNAČ AUTOMATICKÉ VYPNUTÍ 15 minut (\*)

Pokud je váš přístroj vybaven funkcí **INTENZIVNÍ** rychlost, je třeba stisknout po dobu alespoň 2 s tlačítko E a rychlost bude aktivována po deset minut a poté se vrátí do rychlosti, jež byla předem nastavena.

Pokud je funkce aktivní, led bliká. Chcete –li ji přerušit před vypršením 10 minut, stiskněte znovu klávesu E.

Po stisknutí tlačítka F po dobu 2 s (kryt je vypnut) bude aktivována funkce „clean air“. Tato funkce zapne motor na deset minut každou hodinu na první rychlost. Jakmile bude tato funkce aktivována, motor bude uveden do chodu na první rychlost po dobu 10 s, během které budou blikat současně tlačítka F a C. Po uplynutí této doby se motor vypne a led tlačítka F zustane osvětlen až do doby, kdy po 50 minutách bude znovu motor uveden do chodu na první rychlost a led F a C znovu začnou blikat po 10 minut a tak dále. Po stisknutí jakéhokoliv tlačítka s výjimkou světla se kryt okamžitě vrátí do svého normálního fungování. (napr. pokud se stiskne tlačítko D, deaktivuje se funkce „clean air“ a motor začne pracovat na druhou rychlost, stisknutím tlačítka B se tato funkce deaktivuje.

(\*) Funkce „ČASOVÝ SPÍNAČ AUTOMATICKÉ VYPNUTÍ“ opožďuje vypnutí odsávače, který bude pokračovat ve funkci pracovní rychlostí, která byla nastavena v okamžiku zapnutí této funkce, 15 minut.

**VÝROBCE ODMÍTÁ JAKOUKOLIV ZODPOVĚDNOST ZA ŠKODY ZPŮSOBENÉ NEDODRŽENÍM UVEDENÝCH UPOZORNĚNÍ.**

## GENERELLE OPLYSNINGER

Læs omhyggeligt indholdet af denne brugsanvisning, da den giver vigtige oplysninger vedrørende sikkerheden ved installation, brug og vedligeholdelse. Opbevar brugsanvisningen til senere brug. Apparatet er udarbejdet til at kunne fungere; udsugning (udledning af luft til eksterne omgivelser Fig.1B) filtrerende (intern cirkulation af luft Fig.1A) og med udvendig motor. (Fig.1C).

## OPLYSNINGER VEDRØRENDE SIKKERHED

1. Udvis forsigtighed hvis der samtidigt med emhætten er en varmekilde eller flamme i funktion, som er afhængig af luften i omgivelserne og forsynet med energi, der ikke er elektrisk, eftersom emhætten fjerner den luft fra omgivelserne, som flammen eller varmekilden har brug for til forbrænding. Det negative tryk i lokalet må ikke overstige 4 Pa (4x10<sup>-5</sup> bar). For størst mulig sikkerhed, sørg for en passende ventilation af rummet. Hvad angår udsugningen til eksterne omgivelser følg de gældende normer.

### Før modellen tilsluttes el-nettet:

- Kontrollér informationsetiketten (placeret indeni apparatet), for at sikre, at spændingen og styrken er i overensstemmelse med el-nettet og at stikkontakterne er egnede. Hvis De er i tvivl, konsulter en kvalificeret elektriker.

- Hvis forsyningsledningen er beskadiget, skal den udskiftes med en ledning eller en særlig samling fra fabrikanten eller et autoriseret servicecenter.


## 2. ADVARSEL!

I bestemte situationer kan elektriske hvidevarer være farlige.

- A) Forsøg ikke at kontrollere filtrene mens emhætten er tændt.
- B) Rør ikke ved pærer eller områderne omkring dem i forbindelse med længere brug af belysningsanlægget eller straks herefter.
- C) Rør ikke ved lamperne efter længerevarende brug af apparatet.
- D) Det er forbudt at flambere under emhætten.
- E) Undgå åben flamme da det er skadeligt for filtrene og kan forårsage brand.
- F) Hold friturestegning under konstant overvågning for at undgå, at olien overophedes og bryder i brand.
- G) Apparatet må aldrig bruges af børn eller af personer, der ikke har de mentale eller fysiske egenskaber til korrekt brug, uden overvågning.
- H) Hold øje med, at børn ikke leger med apparatet.
- I) Før man udføre enhver form for vedligeholdelse skal emhætten være afbrudt fra el-nettet.

Dette apparat er udviklet i overensstemmelse med det europæiske direktiv 2002/96/EF om affald af elektrisk og elektronisk udstyr (WEEE). Ved at sikre sig, at dette produkt bortskaffes på korrekt vis, bidrager

bruger til at forhindre eventuelle negative miljømæssige og sundhedsmæssige påvirkninger.

Symbolet  på produktet eller på dokumentationen, der følger med produktet, angiver, at produktet ikke skal behandles som husholdningsaffald, men at det skal bortskaffes på passende vis på genbrugsstationer til elektriske og elektroniske apparater. Apparatet skal bortskaffes i overensstemmelse med de gældende regler for bortskaffelse af affald. For yderligere oplysninger om håndtering, genvinding og genbrug af dette produkt, bedes man kontakte de lokale myndigheder, teknisk forvaltning eller forretningen, hvor produktet er købt.

## INSTRUKTION VED INSTALLERING

**Monteringen og udførelsen af de elektriske forbindelser, skal udføres af specialiseret personale.**

### Den elektriske forbindelse.

Apparatet er udarbejdet i klasse II, derfor skal der ikke tilsluttes et kabel til jordforbindelsen.

Tilslutning til el-nettet skal udføres som følgende:

BRUN = L Linje

BLÅ = N Neutral

Hvis det ikke allerede findes, monter da et standardstik beregnet til den forsyning, som er angivet på etiketten. Hvis der allerede er et stik, sørg da for at det er let tilgængelig efter installation af apparatet. I tilfælde af en direkte tilslutning til el-nettet er det nødvendigt at anbringe en flerpollet afbryder med en afstand mellem kontakterne på minimum 3 mm, mellem apparatet og nettet. Afbryderen skal passe til el-forsyningen og være i overensstemmelse med de gældende normer.

- Minimumsafstanden mellem overfladen, hvor gryder og pander placeres på kogepladen og den nederste del af emhætten skal være mindst **45 cm**, hvis det er et gaskomfur, et el-komfur eller et induktionskomfur. Hvis der anvendes et forbindelsesrør bestående af to eller flere dele, skal den øverste del placeres udenpå den nederste. Tilslut ikke udledningen fra emhætten med et rør, hvori der cirkulere varm luft eller som anvendes til at udlede røg fra apparater, der ikke bruger elektrisk energi.
- I de tilfælde, hvor apparatet skal installeres i en udsugende version, forberedes åbningen til udledning af luft.

- Det anbefales at anvende en luftudsugningsslange med en diameter på **150**.

Hvis der anvendes en mindre slange, kan det forringe produktets ydelse og medføre røget støj

- Inden emhætten monteres skal man afmontere fedtfilteret B (Fig.6), for bedre at kunne komme til. Udfør først følgende trin, alt efter hvilken model, der er tale om:

### MODEL 1

Fjern de 3 paneler A, som vist i fig.4.

Træk i håndtaget **B**, som vist i fig. 6.

## MODEL 2

Åbn panelet **C**, som vist i fig.5.

Træk i håndtaget **B**, som vist i fig. 6.

Hvis apparatet er udstyret med kuppel, skal den fjernes ved hjælp af de 4 skruer **B**, som vist i **figur 9 A**.

### • VÆGMONTERING

Placér emhætten mod væggen, fig. **2A**, og markér den nederste kant (vær opmærksom på minimumsafstanden til komfuret, fig. **2B**).

- Placér skabelonen på væggen, og sørg for, at linjen passer med den, der blev afmærket i forrige trin.

- Markér og bor huller til montering (fig.3).

- Fastgør de 2 øverste skruer **K**, uden at skrue dem helt i, og rawplugs (fig.3).

- Anbring emhætten mod væggen, tilret den vandret og spænd skruerne **K** (fig.7).

- Flet emhætten til, og skru den helt fast med de 2 skruer **C** (fig.8).

- Der skal anvendes skruer og rawplugs, der passer til vægtypen (f.eks. armeret beton, gipsvæg osv.).

- Hvis der følger skruer og rawplugs med, skal man først sikre sig, at de passer til den type væg, som emhætten skal monteres på.

### • INSTALLATION AF MODELLER UDEN AFSKÆRMNING

#### EMHÆTTE MED UDSUGNING

- Løsn de 4 skruer **B**, som vist i (fig. 9 **A**).

- Fjern både risten **E** over udsugningshullet og kuplen **M**, som vist i (fig. 9 **B**).

- Tilslut emhætten til slangen (følger ikke med), som derefter skal tilsluttes udsugningsåbningen, som er klargjort (fig. 9 **C**).

- Spænd derefter kuplen fast med de 4 skruer, som blev løsnet i (fig. 9 **A**).

### • OPTIONAL

Til denne emhættemodel fås afskærmning som ekstraudstyr på efterspørgsel hos forhandleren.

Inden afskærmningen monteres, skal man løse de 4 skruer **B** og fjerne kuplen **M**, som vist i (fig.10 **A - B**).

Der fås også et støjdæmpersæt (skal bestilles som **OPTIONAL**), så emhætten bliver endnu mere støjsvag. Støjdamperen skal installeres på bagsiden af afskærmningen. Se brugsanvisningen, der følger med sættet, for yderligere anvisninger.

### • INSTALLATION AF MODELLER MED AFSKÆRMNING

Sørg for strømtilførsel inden i afskærmningens samling. Justér bredden på beslaget til den øverste del (Fig.11 **C**). Fastgør den heretter til loftet, så den er på linje med emhætten, ved hjælp af skruerne **A** (Fig.11 **C**), og vær opmærksom på afstanden til loftet, som angivet i (Fig.11 **B**). Tilslut flangen **C** til udsugningsåbningen (Fig.11 **D**) ved hjælp af en slange **L**.

Skub den øverste del af emhætten ned i den nederste del. Fastgør den nederste del af emhætten ved hjælp af skruerne **B**, der følger med (Fig.11 **E**).

Træk den øverste del af emhætten op til beslaget, og fastgør den ved hjælp af skruerne **F** (Fig.11 **C**).

### • EMHÆTTE MED FILTER

Vær opmærksom!

Kulfiltrerne skal bestilles hos forhandleren som ekstraudstyr.

For at ændre emhætten fra emhætte med UDSUGNING til emhætte med FILTER, alt efter den model man har, findes 2 forskellige sæt, ét med firkantede filtre (fig.10) og ét med runde filtre (fig.15).

1- Hvis emballagen indeholder et beslag, som vist i fig. 14, skal dette fastgøres til emhætten med de 6 medfølgende skruer.

For at udskifte kulfiltrerne skal man trække grebet **B** nedad, som vist i (fig. 10).

2- Hvis emballagen ikke indeholder beslaget, betyder det, at kulfilteret er rundt (fig.15).

Filtrene skal monteres på udsugningselementet i emhætten og skal drejes 90 grader, indtil de klikker på plads (fig. 15).

## BRUG OG VEDLIGEHOLDELSE

• Det anbefales, at apparatet sættes i funktion, inden man begynder tilberedningen af madvarer. Det anbefales, at lade emhætten køre i 15 minutter efter endt tilberedning, så al mados suges ud.

Korrekt funktion af emhætten afhænger af en korrekt og jævnlig vedligeholdelse. Man skal især være opmærksom med at udskifte fedtfilteret og det aktive kulfilter.

• Fedtfilteret har til opgave at tilbageholde de fedtpartikler, der findes i luften. Filteret vil derfor blive tilstoppet med tiden, alt efter hvor ofte emhætten anvendes.

Akrylfilteret, der støtter på risten, skal udskiftes, når skriften på filteret, der er synlig gennem risten, skifter farve og blæklet løber ud. Det nye filter skal monteres, så skriften er synlig gennem risten ude fra emhætten.

Hvis akrylfiltrene ikke har påtrykt skrift, eller hvis der anvendes metalfiltre eller filtre med aluminiumspanel, skal filtrene - for at forhindre brandfare - rengøres mindst hver 2. måned på følgende måde:

- Tag filteret ud af risten, og rengør det i neutralt sæbevand for at fjerne al snavs.

- Skyl efter med rigelige mængder lunken vand, og lad filteret tørre.

Metalfiltre og/eller filtre med aluminiumspanel kan også vaskes op i opvaskemaskine. På aluminiumsiltre eller filtre med aluminiumspanel kan der opstå misfarvninger efter nogle vask. Dette giver ikke ret til reklamation med henblik på udskiftning.

I tilfælde af manglende overholdelse af anvisningerne vedrørende udskiftning og rengøring, kan der opstå brandfare i fedtfiltrerne.

• De aktive kulfiltre har til opgave at rense den luft, der sendes tilbage i lokalet. Filtrene kan ikke vaskes eller genbruges og skal udskiftes mindst hver fjerde måned. Mætningen af det aktive kul afhænger af, hvor ofte emhætten er i brug, komfurets type og hvor ofte fedtfilteret rengøres.

• Rengør ofte alle fedtaflejringer på ventilatoren og andre overflader med en klud oplødt i denatureret sprit eller et ikke-slibende og neutralt rengøringsmiddel.

- Lyset er beregnet til brug under tilberedning af mad og ikke til generel oplysning af lokalet. Længerevarende brug af lyset vil reducere lyspærernes gennemsnitlige levetid betydeligt.

#### Vær opmærksom!

Hvis modellen er udstyret med sidepaneler (A), kan disse tages af ved at trække dem af i retningen, vist i fig. 12, så man kan komme til ved rengøring.

#### • Udskiftning af halogenpærer (Fig.13).

For at udskifte halogenpærerne B skal man fjerne glasset C ved at trykke på rillerne.

Udskift pærerne med pærer af samme type.

Vér opmærksom: rør ikke ved pæren med bare hænder.

#### BETJENING-SENHED: (Fig.17)

**Tast A** = tænder/slukker lysene.

**Tast B** = tænder/slukker emhætten. Apparatet tændes på 1. hastighed. Hvis emhætten er tændt skal man trykke på tasten i 2 sek. for at slukke. Hvis emhætten er indstillet på 1. hastighed er det ikke nødvendigt at holde tasten trykket for at slukke. Sænker motorhastigheden.

**Display C** = viser den valgte motorhastighed og aktivering af timer'en.

**Tast D** = tænder emhætten. Øger motorhastigheden. Ved tryk på tasten fra 3. hastighed tændes den intensive funktion i 10 minutter, hvorefter apparatet vender tilbage til at fungere med den almindelige hastighed, der var indstillet det øjeblik, hvor den intensive funktion blev tændt. Under denne funktion blinker displayet.

**Tast E** = Når timeren aktiveres, indstiller den funktionerne til at fortsætte i 15 minutter, hvorefter de slukkes. Timeren slås fra ved at trykke på tasten E. Når funktionen Timer er tændt, blinker decimaltallet på displayet. Hvis funktionen til indstilling af hastighed er aktiveret, fungerer funktionen Timer ikke.

Hvis tasten E trykkes ned i 2 sekunder, når emhætten er slukket, aktiveres funktionen "clean air". Denne funktion tænder motoren i 10 minutter for hver time på første hastighedstrin. Når funktionen er aktiveret, viser displayet en drejende bevægelse af de omgivende segmenter. Når tiden er gået, slukker motoren igen, og på displayet vises bogstavet "C", indtil motoren igen efter 50 minutter aktiveres i 10 minutter og så videre.

#### • Mætning af fedtfiltere / aktive kulfiltere:

- Når displayet C blinker, og ændrer blæserhastigheden, med bogstavet F (f.eks.1 og F), skal fedtfilterene rengøres.

- Når displayet C blinker, og ændrer blæserhastigheden, med bogstavet A (f.eks.1 og A), skal kulfilterene rengøres.

Når filteret er sat på plads igen, skal den elektroniske hukommelse nulstilles ved at holde tasten A nede i ca. 5 sek. indtil bogstaverne F eller A stopper med at blinke på displayet C.

**BETJENING-SENHED: (Fig.16) LYSSENDE** - er følgende tegnforklaring gældende:

**A** = tast for BELYSNING

**B** = tast for OFF

**C** = tast for FØRSTE HASTIGHED

**D** = tast for ANDEN HASTIGHED

**E** = tast for TREDJE HASTIGHED

**F** = tast for TIMER AUTOMATISK STOP 15 minutter (\*)

Hvis Deres anlæg er udstyret med funktionen **INTENSIV** hastighed, skal knappen E holdes nedtrykket i 2 sekunder hvorved denne aktiveres i 10 minutter hvorefter den vender tilbage til den forudgående hastighed.

Når funktionen er aktiveret, lyser kontrollampen. For at afbryde før de 10 minutter er gået, tryk igen på tasten E

Ved at trykke på knappen F i 2 sekunder (ved slukket emhætte) aktiveres funktionen "clean air". Denne funktion tænder motoren i 10 minutter pr. time ved laveste hastighed. Så snart funktionen er igangsat starter motoren ved første hastighed i 10 minutter, og under dette forløb skal lamperne ved knap F og knap C blinke samtidigt. Når tiden er gået standser motoren og kontrollampen ved knap F forbliver tændt uden at blinke indtil der er gået endnu 50 minutter, hvor motoren igen starter ved første hastighed, og lamperne ved F og C igen begynder at blinke samtidigt i 10 minutter, og så fremdeles. Ved at trykke på en hvilken som helst knap bortset fra lysknappen vender emhætten straks tilbage til den normale funktion (f.eks. hvis knappen D nedtrykkes bliver funktionen "clean air" afbrudt og motoren går straks i anden hastighed; ved at trykke knap B afbrydes funktionen).

(\*) Funktionen "timer automatisk stop" forsinker standning af hættene, som vil fortsætte med at være tændt (i 15 minutter) med den driftshastighed, der var i kraft i det øjeblik funktionen blev tilsluttet.

#### • Mætning af fedtfiltere / aktive kulfiltere:

- Når tasten A blinker med 2 sek. mellemrum, skal fedtfilterene rengøres.

- Når tasten A blinker med 0,5 sek. mellemrum, skal kulfilterene udskiftes.

Når filteret er sat på plads igen, skal den elektroniske hukommelse nulstilles ved at holde tasten A nede i ca. 5 sek. indtil den stopper med at blinke.

**FABRIKANTEN FRALÆGGER SIG ETHVERT ANSVAR FOR SKADER FORÅRSAGET AF MANGLENDE OVERHOLDELSE AF OVENSTÅENDE ADVARSLER**

## YLEISTÄ

Lue ohjekirja huolellisesti, sillä se sisältää tärkeätä tietoa laitteen turvallisesta asennuksesta, käytöstä ja huollosta. Säilytä ohjekirja tulevaa tarvetta varten. Laite on suunniteltu toimimaan joko imevänä versiona (ilman poistulos - kuva 1B), suodattavana versiona (ilman kierrätys sisällä - kuva 1A) tai ulkoisella moottorilla toimivana versiona (kuva 1C).

## TURVAOHJEITA

1. Erityistä huomiota tulee kiinnittää siihen, ettei liesituuletin ole käytössä samanaikaisesti kuin tulipesä tai liesi, jotka ovat riippuvaisia huoneilmasta ja jotka käyttävät joihin muuta energianlähdettä kuin sähköä.

Liesituuletin poistaa huoneilasta ilmaa, jota tulipesä tai liesi tarvitsevat polttamiseen. Huoneilman negatiivinen ilmanpaine ei saa ylittää 4Pa (4x10<sup>-5</sup> bar). Huoneilmat on siis tuuletettava asianmukaisesti tuulettimen toiminnan varmistamiseksi. Ulkoista poistoa koskien tulee noudattaa asianomaisessa maassa voimassaolevia määräyksiä.

### Ennen kuin yhdistät mallin sähköverkkoon:

- huomioi sen tunnuskilvessä (löytyy laitteen sisäpuolelta) olevat tiedot tarkistaen että virran jännite ja voima vastaavat verkostoa, ja että pistorasia on sopiva. Jos olet epävarma ota yhteys pätevään sähkömieheen

- Jos liitäntäjohto on vahingoittunut, se on vaihdettava laitteen valmistajan tai tämän teknisen huoltohenkilöstön toimesta uuteen liitosjohtoon tai sitä vastaavaan.

## 2. HUOMIO !

**Kotitalouskoneet voivat olla vaarallisia tietyissä olosuhteissa.**

**A) Suodattimia ei saa yrittää säätää tuulettimen ollessa käytössä**

**B) Älä koske lamppuja tai niiden lähiympäristöä valaisimen ollessa päällä, tai sen pitkään jatkuneen käytön jälkeen.**

**C) Lamppuihin ei saa koskea laitteen pitkäaikaisen käytön jälkeen**

**D) Tuulettimen alla ei saa valmistaa liekitettyjä ruokia**


**E) Tulen polttamista muuten kuin ruoanlaiton yhteydessä tulisi välttää, sillä se vahingoittaa suodattimia ja voi aiheuttaa tulipalon**

**F) Valmistettaessa paistettuja ruokia tulee ruokaa koko ajan vartioida, jotta ylikuumentunut öljy ei syty palamaan**

**G) Tuuletin on irrotettava sähköverkosta ennen huoltotoimenpiteiden aloittamista**

Tämä laite on merkitty EU:n Waste Electrical and Electronic Equipment (WEEE) -direktiivin 2002/96/EC mukaisesti. Käyttäjä osallistuu mahdollisten terveydelle ja ympäristölle haitallisten seurausten ehkäisemiseen hävittäessään laitteen asianmukaisella tavalla.

Laitteen pakkauksessa mukana oleviin asiakirjoihin

merkitty  -merkki osoittaa ettei kyseinen laite kuulu talousjätteisiin, vaan se on varta vasten toimitettava sähkö- ja elektroniikkalaiteromun keräyspisteeseen kierrätystä varten. Hävittä laite noudattamalla paikkakuntasi jätehuoltoa koskevia säädöksiä. Lisätietoja tämän laitteen keräyksestä, käsittelystä ja kierrätyksestä ota yhteys paikkakuntasi jätehuoltoon, talousjätteiden keräyspisteeseen tai liikkeeseen josta laite on hankittu.

## ASENNUSOHJEET

**Asennus ja sähköliitäntä on suoritettava siihen pätevän erikoishenkilöstön toimesta.**

### • Sähköinen liitäntä

Laite on rakennettu II-luokassa, eivätkä kaapelit sen vuoksi saa olla liitettynä maajohtoon. Liitännät sähköverkkoon on tehtävä seuraavalla tavalla:

RUSKEA = L linja

SININEN = N neutraali

Tarvittaessa tulee kaapeliin asentaa standardipistoke, joka kestää tuoteselosteessa mainitun kuormituksen. Jos laitteessa on pistoke, kupu on asennettava siten, että pistokkeeseen pääsee käsiksi.

Liitettäessä suoraan sähköverkkoon täytyy laitteen ja verkon väliin laittaa moninapainen virrankatkaisija, jossa kontaktien minimiväli on 3 mm ja on mitoitettu kuormituksen mukaan ja joka on voimassaolevien määräysten mukainen.

• Keittotasolla olevien keittoastioiden tukipinnan ja liesituulettimen alhaisimman osan välisen etäisyyden tulee olla vähintään **45 cm**, mikäli keittotasoa toimii sähköllä, kaasulla tai kyseessä on induktiotaso.

Mikäli joudutaan käyttämään kaksi- tai useampiosaista liitosputkea, on ylemmän osan oltava alemman ulkopuolella. Poistoilmaa ei saa johtaa kuumailmahormiin tai hormiin, jota käytetään savun poistamiseen laitteista, jotka toimivat jollakin muulla energianlähteellä kuin sähköllä.

• Jos asennetaan imevä hellakupu on ensin tehtävä ilmanpoistoaukko.

• Suositellaan käyttämään ilman poistoletkua, jonka halkaisija on vähintään **150 mm**. Kavennuskappaleen käyttö voi heikentää tuotteen toimintakykyä ja lisätä meluisuutta

• Ennen kuin aloitetaan asennus, on hyvä poistaa rasvasuodatin **B** (Kuva 6) laitteen käsittelyyn helpottamiseksi.

Ennen tämän toimenpiteen suorittamista tulee tehdä seuraavat vaiheet omistettavasta mallista riippuen:

### MALLI 1

Poista 3 paneelia **A** kuten osoitettu Kuvassa 4.

Vedä kahvasta **B** kuten osoitettu Kuvassa 6.



## MALLI 2

Vaava paneeli **C** kuten osoitettu Kuvassa 5.

Vedä kahvasta **B** kuten osoitettu Kuvassa 6.

Jos laite on toimitettu kuvun kanssa, poista se ottaen pois 4 ruuvia **B** kuten osoitettu Kuvassa 9 A.

## • KIINNITYS SEINÄÄN

Merkitse seinään viiva tuulettimen alaosan kohdalle Kuva **2A** (huomioiden vähimmäisetäisyys keittotasosta Kuva **2B**).

- Aseta kiinnityssapluuna seinälle ollen tarkkana, että se on suorassa linjassa aiemmin seinään piirretyn viivan kanssa.

- Merkitse ja poraa kiinnitysreiät (Kuva 3).

- Kiinnitä 2 ylempää ruuvia **K**, ruuvaamatta niitä kokonaan kiinni, sekä proput (Kuva 3).

- Aseta laite seinälle tarkasti vaakasuoraan asentoon ja ruuvaa ruuvit **K** kiinni (Kuva 7).

- Säädön tapahduttua kiinnitä liesituuletin pysyvästi 2 ruuvilla **C** (Kuva 8).

- Eri asennuksissa käytä ruuveja ja proppuja, jotka sopivat asennettavaan seinätyyppiin (esim. betoniseinä, harkkoseinä jne.).

- Jos ruuvit ja proput ovat tulleet laitteen mukana, varmista että ne sopivat siihen seinätyyppiin, johon liesikupu on asennettava.

## • ASENNUS MALLEILLE ILMAN KORISTEHORMIA IMEVÄ VERSIO

- Poista 4 ruuvia **B** kuten osoitettu (Kuva 9 A).

- Poista sekä ritilä **E**, joka sijaitsee ilman ulostuloaukon yläpuolella, että kupu **M** kuten osoitettu (Kuva 9B).

- Liitä liesituuletin joustavaan letkuun (ei toimituksen mukana), joka taas vuoraan tulee liittää aiemmin tehtyyn ilman poistoaukkoon (Kuva 9C).

- Kiinnitä uudelleen kupu **4** aiemmin poistetulla ruuvilla (Kuva 9A).

## • LISÄVARUSTE

Tähän liesituuletinmalliin voidaan liittää lisävarusteena koristehormi, jota voit tiedustella jälleenmyyjältä.

Ennen koristehormin asentamista tulee poistaa 4 ruuvia **B** sekä kupu **M** kuten osoitettu (Kuva 10 A - B).

Lisäksi on saatavissa melua hiljentävä lisävarustepaketti (joka voidaan tilata, **OPTIONAL**) liesituulettimen hiljaisuuden lisäämiseksi. Kyseinen melua hiljentävä kerros tulee laittaa koriste-paneelin taakse. Asennusta varten viitataan lisävarustepaketin mukana toimitettaviin ohjeisiin.

## • ASENNUS MALLEILLE KORISTEHORMIN KANSSA

Huolehdi sähkönsyötön toimittamisesta koristeliitännän rajausta saakka. Säädä ylemmän liittymän seinätuen leveys (Kuva 11C). Sen jälkeen kiinnitä se sisäkattoon siten, että se on suorassa linjassa liesituulettimen kanssa, käyttäen ruuveja **A** (Kuva 11C) ja noudata osoitettua etäisyyttä sisäkattosta (Kuva 11B). Liitä, joustavalla letkulla **L**, laippa **C** ilman poistoaukkoon (Kuva 11D).

Työnnä ylempi hormi alemman hormin sisälle. Kiinnitä alempi hormi liesituulettimen käyttäen toimitettuja ruuveja **B** (Kuva 11E). Työnnä ylempää hormia seinätukeen saakka ja kiinnitä se ruuveilla **F** (Kuva 11C).

## • SUODATTAVA VERSIO

### Varoitus!

Hiilisuodattimet tulee tilata jälleenmyyjältä lisävarusteena.

Liesituulettimen muuttamiseksi **IMEVÄSTÄ** versiosta **SUODATTAVAKSI** versioksi ostimastasi mallista riippuen on saatavilla 2 erityyppistä sarjaa, yksi suorakulmaisten suodattimien kanssa (kuva 10) ja toinen ympyränmuotoisten suodattimien kanssa (kuva 15).

1 - Jos löydät pakkauksesta jalustan kuten osoitettu kuvassa 14, tulee se kiinnittää liesituulettimeen **6** toimitetun ruuvien avulla.

Aktiivihiiisuodattimien vaihtamiseksi tulee vetäjä ulospäin kahvasta **B** kuten osoitettu (kuva 10).

2- Jos tuotteesi pakkauksesta ei löydy jalustaa, tarkoittaa tämä sitä, että aktiivihiiisuodatint on ympyränmuotoinen (kuva 15).

Suodattimet tulee asettaa liesituulettimen sisällä olevan imevään yksikköön keskittäen ne siihen nähden ja kiertäen niitä 90 astetta pysäytysaskelmaan saakka (Kuva 15).

## KÄYTTÖ JA HUOLTO

• Suositellaan käynnistämään laite ennen minkä tahansa ruuan kypsennyksen aloittamista. On suositeltavaa antaa laitteen toimia vielä 15 minuuttia ruokien kypsennyksen päättymisen jälkeen, jotta ruoanvalmistuksen käryt saadaan kokonaan pois.

Liesituulettimen hyvä toiminta riippuu oikeasta ja säännöllisestä huollosta; erityistä huomiota tulee kiinnittää rasvasuodattimeen ja aktiivihiiisuodattimeen.

• Rasvasuodattimen tehtävänä on pidättää ilmassa leijuvat rasvahiukkaset ja siksi se on altis tukkeutumaan ajanjaksossa, jonka pituus vaihtelee laitteen käytön mukaan.

Ritilälle asetettu akryylisuodatint tulee vaihtaa, kun ritilän läpi näkyvät kirjoitukset vaihtavat väriä ja muste leviää; uusi suodatint tulee asettaa paikalleen siten, että kirjoitukset näkyvät ritilän läpi liesituulettimen ulkopuolelle.

Mikäli akryylisuodattimissa ei ole kirjoituksia tai laitteessa on metallisuodattimia tai alumiinipaneeleja, mahdollisen tulipalovaaran estämiseksi suodattimet tulee pestä vähintään joka 2. kuukauden välein suorittaen seuraavat toimenpiteet:

- poista suodatint ritilästä ja pese se vesiliuoksella ja neutraalilla pesuaineella antaen lian liota.

- huuhtelee huolellisesti lämpimällä vedellä ja anna kuivua.

Metallisuodattimet ja/tai alumiinipaneeli voidaan pestä myös pesukoneessa. Muutamien pesukertojen jälkeen voidaan havaita värimuutoksia, jos suodattimet ovat alumiinista tai alumiinipaneeleista. Tämä tosiasia ei anna oikeutta vaatia niiden vaihtamista.

Mikäli ei noudateta vaihtamista tai pesemistä koskevia ohjeita, rasvasuodattimien tulipalovaara lisääntyy.

• Aktiivihiiisuodattimia käytetään puhdistamaan ilma, joka palautetaan huonetilaan. Suodattimia ei voi pestä tai käyttää uudelleen ja ne tulee vaihtaa vähintään joka neljäs kuukausi. Aktiivihiiin kyllästyminen riippuu laitteen käyttöajan pituudesta, ruuanvalmistustavoista ja säännöllisyydestä, jolla suoritetaan rasvasuodattimen

puhdistus.

- Puhdistusta usein kaikki tuulettimeen ja muille pinnoille muodostuvat kerääntymät käyttäen liinaa, joka on kostutettu denaturoidulla alkoholilla tai hankaamattomalla neutraalilla pesuaineella.
- Valaistuslaitteisto on suunniteltu käytettäväksi ruokien kypsennyksen aikana eikä pitkäaikaiseen ympäristön yleiseen valaisuun. Valaistuksen pitkäaikainen käyttö vähentää huomattavasti lamppujen keskimääräistä käyttöikää.

#### **Varoitus!**

**Jos mallisi on varustettu sivupaneeleilla (A), huolellisemman puhdistuksen yhteydessä ne voidaan poistaa vetäen niitä kuvassa 12 osoitettuun suuntaan.**

#### **• Halogeenilamppujen vaihtaminen (Kuva 13).**

Halogeenilamppujen **B** vaihtamiseksi ota pois lasi **C** käyttäen viputukena asianmukaisia aukkoja. Vaihda tilalle vastaavan tyyppiset lamput.

Varoitus: älä koske lampuun paljain käsin.

#### **• OHJAIMET: (Kuva 17)**

**Näppäin A** = syyttää / sammuttaa valot

**Näppäin B** = käynnistää / sammuttaa kuvun. Laite käynnistyy ensimmäiselle nopeudelle.

Jos liesikupu on päällä paina näppäintä 2 sek. ajan ja sen toiminta lakkaa. Jos laite toimii ykkösnopeudella, näppäintä ei tarvitse pitää alas painettuna laitetta sammuttaessa. Laskee moottorin nopeutta.

**Näyttö C** = ilmoittaa valitun moottorin nopeuden ja ajastimen aktivoiminn.

**Näppäin D** = käynnistää kuvun. Nostaa moottorin nopeutta. Painamalla näppäintä kolmannella nopeudella laite toimii täydellä teholla 10 sekunnin ajan, sen jälkeen laite alkaa toimia aktivoitulla nopeudella. Tämän toiminnon ajan näyttö valo vilkkuu.

**Näppäin E** = Ajastin ajastaa toiminnot käynnistämishetkellä 15 minuutin ajaksi. Sen jälkeen toiminnot sammuvat. Ajastin lakkaa toimimasta kun painat uudelleen näppäintä E. Kun ajastintoiminto on päällä desimaalipisteen on välkyttävä näyttöllä. Jos tehonopeustoiminto on päällä ajastinta ei voida käynnistää.

Painamalla näppäintä E 2 sekunnin ajan, laitteen ollessa sammuksissa, "clean air"-toiminto käynnistyy. Tämä toiminto käynnistää moottorin joka tunti, 10 minuutin ajaksi ykkösnopeudella. Toiminnan aikana näyttöön ruunoilla tulee näkyä pyörivä liike. Tämän ajan kuluttua moottori sammuu ja näyttöllä tulee näkyä "C"-kirjain seuraavien 50 minuutin ajan kunnes moottori taas käynnistyy seuraaviksi 10 minuutiksi ja niin edelleen.

#### **• Rasva-/aktiivihiihisuodattimien täytyminen:**

- Kun näyttö C vilkkuu ja siihen tulevat näkyviin vuorotellen toimintanopeus ja kirjain F (esim. 1 ja F), rasvasuodattimet tulee pestä.

- Kun näyttö C vilkkuu ja siihen tulevat näkyviin vuorotellen toimintanopeus ja kirjain A (esim. 1 ja A), aktiivihiihisuodattimet tulee vaihtaa.

Kun puhdas suodatin on liitetty, tulee elektroninen muisti nollata painaen painiketta A noin 5 sekunnin ajan, kunnes näyttöön C ilmoitus F tai A lakkaa vilkkumasta.

#### **• OHJAIMET: (kuva 16) VALOLLA VARUSTETUT**

**A** = Valaistuksen painike

**B** = OFF

**C** = ensimmäisen nopeuden painike

**D** = toisen nopeuden painike

**E** = kolmannen nopeuden painike

**F** = Automaattiajastin (15 min.) (\*)

Jos laitteesi on varustettu **INTENSIIVI** nopeudella, pidä painettuna n. 2 sekuntia näppäintä E jolloin se käynnistyy kymmeneksi minuutiksi, jonka jälkeen palaa ennaltakäsin ohjelmoituun nopeuteen. Kun toiminta on käynnissä valomerkki välkkyä. Jos haluat katkaista toiminnan ennenkuin 10 min. on kulunut painalla uudelleen näppäintä E.

Jos painallat näppäintä **F** n.2 sek. (tuulettimen ollessa pois päältä), käynnistät toiminnon "clean air". "Clean air" käynnistää tuulettimen kymmeneksi minuutiksi tunnin väliajoin alimmalla kierrosnopeudella. Jos valitset tämän toimintamuodon laite käynnistyy kymmeneksi minuutiksi joiden aikana välkehtivät näppäinten **F** ja **C**. n valomerkit. Kymmenen minuutin jakson päätyttyä moottori pysähtyy ja vain näppäimen **F** valomerkki jää päälle kunnes 50.nen minuutin kuluttua moottori käynnistyy uudelleen ja näppäimien **F** ja **C** valomerkit välkehtivät jne. Valiten minkä tahansa muun näppäimen – valaisinta lukuunottamatta – tuuletin palautuu heti normaaliin käyttöön (esim. jos painat näppäintä **D** "clean air" poistuu käytöstä ja tuuletin pyörii kakkosnopeudella; painaltaen näppäintä **B** toiminta poistuu käytöstä).

(\*) "Automaattiajastin" pysäyttää liesituulettimen 15 min. viiveellä. Tuuletin jatkaa toimintaansa lähtönopeudellaan 15 min ajan painikkeen painamisen jälkeen.

#### **• Rasva-/aktiivihiihisuodattimien täytyminen:**

- Kun näppäin **A** vilkkuu **2 sekunnin** välein, **rasvasuodattimet** tulee pestä.

- Kun näppäin **A** vilkkuu **0,5 sekunnin** välein, **aktiivihiihisuodattimet** tulee vaihtaa.

Kun puhdas suodatin on liitetty, tulee elektroninen muisti nollata painaen painiketta **A** noin **5 sekunnin** ajan, kunnes se lakkaa vilkkumasta.

**LAITTEEN VALMISTAJA EI OLE VASTUUSSA VAHINGOISTA, JOTKA OVAT AIHEUTUNEET YLLÄMAINITTUJEN OHJEIDEN LAIMINLYÖNNISTÄ.**

## ΓΕΝΙΚΑ

Διαβάστε προσεκτικά το περιεχόμενο των οδηγιών, διότι παρέχει σημαντικές υποδείξεις που αφορούν την ασφάλεια της εγκατάστασης της χρήσης και της συντήρησης. Φυλάξτε το φυλλάδιο για ενδεχόμενες συμβουλές. Η συσκευή σχεδιάστηκε για χρήση σε έκδοση απορρόφησης (εκκένωση αέρα προς το εξωτερικό - Εικ.1Β), διήθησης (ανακύκλωση αέρα στο εσωτερικό - Εικ.1Α) ή με εξωτερικό κινητήρα (Εικ.1C).

## ΥΠΟΔΕΙΞΕΙΣ ΑΣΦΑΛΕΙΑΣ

1. Προσοχή σε περίπτωση που λειτουργούν ταυτόχρονα απορροφητήρας απορρόφησης και καυστήρας ή μια εστία που εξαρτώνται από τον αέρα του περιβάλλοντος και τροφοδοτούνται από ενέργεια όχι ηλεκτρική διότι ο απορροφητήρας απορροφώντας αφαιρεί από το περιβάλλον τον αέρα που έχουν ανάγκη για την καύση ο καυστήρας ή η εστία. Η αρνητική πίεση στο χώρο δεν πρέπει να ξεπερνά τα 4PA (4x10<sup>-5</sup>bar). Για σίγουρη ασφαλές λειτουργία του απορροφητήρα, οφείλεται να υπάρχει κατάλληλος αερισμός στο χώρο. Για την εξωτερική εκκένωση ακολούθησε τις ισχύοντες προδιαγραφές της χώρας.

### Πριν συνδέσετε το μοντέλο στο ηλεκτρικό δίκτυο:

- Ελέγξτε την πινακίδα στοιχείων (που βρίσκεται στο εσωτερικό της συσκευής) για να βεβαιωθείτε ότι η τάση και η ισχύς της συσκευής αντιστοιχούν στο ηλεκτρικό σας δίκτυο καθώς και για την καταλληλότητα του ηλεκτρικού βύσματος. Σε περίπτωση δυσκολιών επικοινωνήστε με έναν ειδικευμένο ηλεκτρολόγο

- Αν το καλώδιο τροφοδοσίας είναι χαλασμένο, πρέπει να αντικατασταθεί από ένα καλώδιο ή ένα ειδικό σύστημα, διαθέσιμο από τον κατασκευαστή ή την υπηρεσία του τεχνικής υποστήριξης.


## 2. ΠΡΟΣΟΧΗ !

Σε ορισμένες περιπτώσεις οι ηλεκτρικές οικιακές συσκευές μπορεί να είναι επικίνδυνες!

- A) Μην ελέγχετε ποτέ τα φίλτρα όταν ο απορροφητήρας είναι σε λειτουργία.
- B) Μην ακουμπάτε τις λάμπες και τις γύρω περιοχές, κατά την διάρκεια και μετά την παρατεταμένη χρήση της εγκατάστασης φωτισμού.
- C) Μην αγγίζετε την λάμπα μετά από παρατεταμένη χρήση της συσκευής
- D) Απαγορεύεται το μαγειρέμα φαγητών με φλόγες κάτω από τον απορροφητήρα
- E) Να αποφεύγονται ανοιχτές φλόγες γιατί καταστρέφονται τα φίλτρα και υπάρχει κίνδυνος πυρκαγιάς
- F) Ελέγχετε τα φαγητά κατά το τηγάνισμα για την αποφυγή υπερθέρμανσης του λαδιού.
- G) Η συσκευή δεν σχεδιάστηκε για να χρησιμοποιείται από παιδιά ή μη ικανά άτομα χωρίς επιτήρηση.
- H) Ελέγχετε να μην παίζουν παιδιά με τη συσκευή.
- I ) Σε περίπτωση που υποστεί βλάβη το καλώδιο του απορροφητήρα, θα πρέπει αυτό να επισκευαστεί από σέρβις εξουσιοδοτημένο από τον προμηθευτή διότι απαιτούνται ειδικά εργαλεία.
- L) Πριν από οποιαδήποτε επισκευή βγάξτε πρώτα οπωσδήποτε το καλώδιο από την πρίζα.

Η συσκευή αυτή είναι χαρακτηρισμένη σύμφωνα με την Ευρωπαϊκή Οδηγία 2002/96/EC, Waste Electrical

and Electronic Equipment (WEEE). Ο χρήστης το να διαθέτει το προϊόν αυτό ως απόρριμμα με τον ενδεδειγμένο τρόπο συμβάλει στην αποφυγή αρνητικών συνεπειών για το περιβάλλον και την υγεία.

Το σύμβολο  στο προϊόν ή στην τεκμηρίωση που το συνοδεύει δείχνει ότι το προϊόν αυτό δεν πρέπει να αντιμετωπίζεται ως απόρριμμα οικιακό αλλά πρέπει να παραδίδεται σε κατάλληλα σημεία συλλογής για την ανακύκλωση ηλεκτρικών και ηλεκτρονικών συσκευών. Διαθέστε το ως απόρριμμα τήρωνάτε τους κατά τόπους κανονισμούς για τη διάθεση των απορριμμάτων. Για περαιτέρω πληροφορίες για τη μεταχείριση, την ανάκτηση και την ανακύκλωση του προϊόντος αυτού, επικοινωνήστε με το αρμόδιο τοπικό γραφείο, την υπηρεσία συλλογής οικιακών απορριμμάτων ή το κατάστημα από το οποίο αγοράσατε το προϊόν αυτό.

## ΟΔΗΓΙΕΣ ΕΓΚΑΤΑΣΤΑΣΗΣ

Οι διαδικασίες τοποθέτησης και ηλεκτρικής σύνδεσης πρέπει να γίνονται από ειδικευμένο προσωπικό.

### • Ηλεκτρική σύνδεση

Η συσκευή ανήκει στο τύπο II, που σημαίνει πως κανένα καλώδιο δεν πρέπει να συνδεθεί με την γείωση.

Η σύνδεση στο δίκτυο θα πρέπει να γίνει ως εξής:

ΚΑΦΕ: γραμμή L

ΜΠΛΕ: N ουδέτερη γραμμή

Αν δεν υπάρχει ήδη ένα φινις μοντάρετε στο καλώδιο ένα φινις προσαρμοσμένο στο ηλεκτρικό φορτίο που αναφέρεται στην χαρακτηριστική ετικέτα.

Αν υπάρχει ήδη, τότε ο απορροφητήρας θα πρέπει να μονταρισθεί, έτσι ώστε το φινις να είναι σε προσιτό για τη χρήση σημείο.

Σε περίπτωση άμεσης σύνδεσης με το ηλεκτρικό δίκτυο είναι αναγκαίο να παρεμβληθεί μεταξύ της συσκευής και του ηλεκτρικού δικτύου ένας πολυπολικός διακόπτης με ελάχιστο άνοιγμα μεταξύ των επαφών 3mm προσαρμοσμένο στο ηλεκτρικό φορτίο και να συμφωνεί με τα ισχύοντα πρότυπα.

• Η ελάχιστη απόσταση μεταξύ της επιφάνειας στήριξης των σκευών μαγειρέματος στη συσκευή μαγειρέματος και του χαμηλότερου μέρους του απορροφητήρα κουζίνας πρέπει να είναι τουλάχιστον 45 cm στην περίπτωση επιφάνεια μαγειρέματος με ηλεκτρικό σύστημα θέρμανσης ή με επαγωγή με επαγωγή.

Σε περίπτωση που χρησιμοποιηθεί σωλήνας σύνδεσης το οποίο αποτελείται από δύο ή περισσότερα κομμάτια, θα πρέπει το πάνω μέρος να περαστεί πάνω από το κάτω μέρος. Σε καμία περίπτωση δεν πέπει ο σωλήνας απορρόφησης να συνδεθεί με σωλήνα, ο οποίος χρησιμοποιείται για εκκένωση καπνού συσκευών που τροφοδοτούνται από ενέργεια όχι ηλεκτρική.

• Στην περίπτωση συναρμολόγησης της συσκευής στην έκδοση για απορρόφηση τοποθετήστε την οπή εξαγωγής αέρα.

• Συνιστάται η χρήση ενός σωλήνα εκκένωσης αέρα με διάμετρο 150.

Η χρήση προσαρμοστικού θα μπορούσε να ελαττώσει τις επιδόσεις του προϊόντος και να αυξήσει τη θερμότητα

• Πριν προχωρήσετε με τις εργασίες συναρμολόγησης, για ευκολότερο χειρισμό της συσκευής βγάλτε το φίλτρο συγκράτησης λιπών Β (Εικ.6).

Πριν εκτελέσετε την ενέργεια αυτή διενεργήστε τις ακόλουθες φάσεις ανάλογα με το μοντέλο που έχετε:

#### ΜΟΝΤΕΛΟ 1

Βγάλετε τα 3 πάνελ Α όπως φαίνεται στην εικ.4. Τραβήξτε τη λαβή Β όπως φαίνεται στην εικ. 6.

#### ΜΟΝΤΕΛΟ 2

Ανοίξτε το πάνελ C όπως φαίνεται στην εικ.5. Τραβήξτε τη λαβή Β όπως φαίνεται στην εικ.6.

Αν η συσκευή διαθέτει θόλο βγάλτε τον αφαιρώντας τις 4 βίδες Β όπως φαίνεται στην εικόνα 9 Α.

#### • ΣΤΕΡΕΩΣΗ ΣΕ ΤΟΙΧΟ

Αποτυπώστε το κάτω πλευρό του απορροφητήρα στον τοίχο εικ.2Α (λαμβάνοντας υπόψη την ελάχιστη απόσταση από την επιφάνεια μαγειρέματος εικ.2Β).

- Τοποθετήστε το πλέγμα στερέωσης στον τοίχο, προσέχοντας να συμπίπτει η γραμμή με εκείνη που χαράζεται στην προηγούμενη παράγραφο.

- Σημαδεύστε και δημιουργήστε τις όδες στερέωσης (εικ.3).

- Στερεώστε τις 2 επάνω βίδες Κ χωρίς να τις βιδώσετε τελείως και τα ούπα (εικ.3).

- Τοποθετήστε τη συσκευή στον τοίχο, ευθυγραμμίζοντας τη σε οριζόντια θέση και βιδώστε τις βίδες Κ (εικ.7).

- Με το πέρασμα της ρύθμισης στερεώστε τον απορροφητήρα οριστικά μέσω των 2 βιδών C (εικ.8).

- Για τις διάφορες συναρμολογήσεις χρησιμοποιήστε βίδες και ούπα κατάλληλα για τον τύπο του τοίχου (π.χ. οπλισμένο σκυρόδεμα, χαρτόνι, κλπ).

- Στην περίπτωση που οι βίδες και τα ούπα παρέχονται με το προϊόν βεβαιωθείτε ότι αυτά είναι κατάλληλα για τον τύπο του τοίχου στον οποίο θα στερεωθεί ο απορροφητήρας.

#### • ΕΓΚΑΤΑΣΤΑΣΗ ΓΙΑ ΜΟΝΤΕΛΑ ΧΩΡΙΣ ΔΙΑΚΟΣΜΗΤΙΚΗ ΚΑΜΙΝΑΔΑ

##### ΕΚΔΟΣΗ ΑΠΟΡΡΟΦΗΤΙΚΗ

- Βγάλτε τις 4 βίδες Β όπως φαίνεται στην (εικ.9 Α).

- Αφαιρέστε τόσο το πλέγμα Ε που βρίσκεται πάνω από την οπή εξόδου αέρα, όσο και το θόλο Μ όπως φαίνεται στην (εικ.9 Β).

- Συνδέστε τον απορροφητήρα στον εύκαμπτο σωλήνα (δεν παρέχεται) που με τη σειρά του θα συνδεθεί στην οπή εκκένωσης αέρα που προετοιμάστηκε προηγουμένως (εικ.9 C).

- Στερεώστε εκ νέου το θόλο με τις 4 βίδες που βγάλατε προηγουμένως στην (εικ.9 Α).

#### • ΠΡΟΑΙΡΕΤΙΚΟ

Αυτό το μοντέλο απορροφητήρα μπορεί προαιρετικά να έχει διακοσμητικές καμινάδες που θα ζητήσετε από τον μεταπωλητή σας.

Πριν εγκαταστήσετε τις διακοσμητικές καμινάδες πρέπει να αφαιρέσετε τις 4 βίδες Β και να βγάλετε το θόλο Μ όπως φαίνεται στην (εικ.10 Α - Β).

Ακόμη, είναι διαθέσιμο ένα κιτ ηχοαπορροφητικό (παραγγέλλεται ως ΠΡΟΑΙΡΕΤΙΚΟ) για να αυξηθεί το επίπεδο σίγασης του απορροφητήρα. Αυτό το ηχοαπορροφητικό στρώμα εφαρμόζεται πίσω από το διακοσμητικό πάνελ. Για τη συναρμολόγηση ανατρέξτε στις οδηγίες που παρέχονται με το κιτ.

#### • ΕΓΚΑΤΑΣΤΑΣΗ ΓΙΑ ΜΟΝΤΕΛΑ ΜΕ ΔΙΑΚΟΣΜΗΤΙΚΕΣ ΚΑΜΙΝΑΔΕΣ

Διευθετήστε την ηλεκτρική τροφοδοσία εντός του διακοσμητικού ρακόρ.

Ρυθμίστε το πλάτος του βραχίονα στήριξης του επάνω ρακόρ (Εικ.11 C). Ακολουθώντας στερεώστε τον στην οροφή έτσι που να είναι σε άξονα με τον απορροφητήρα

σας μέσω των βιδών Α (Εικ.11 C) και διατηρώντας την απόσταση από την οροφή που υποδεικνύεται στην (Εικ.11 Β). Συνδέστε, μέσω εύκαμπτου σωλήνα L, τη φλάντζα C στην οπή εκκένωσης αέρα (Εικ.11 D).

Βάλτε την επάνω καμινάδα στο εσωτερικό της κάτω καμινάδας. Στερεώστε την κάτω καμινάδα στον απορροφητήρα χρησιμοποιώντας τις βίδες Β που σας παρέχονται (Εικ.11 Ε).

Τραβήξτε την επάνω καμινάδα μέχρι το βραχίονα και στερεώστε την με τις βίδες F (Εικ.11 C).

#### • ΕΚΔΟΣΗ ΦΙΛΤΡΑΡΙΣΜΑΤΟΣ

##### Προσοχή!

Τα φίλτρα άνθρακα πρέπει να παραγγέλνονται στον μεταπωλητή σας ως αξεσουάρ.

Για να μετατρέψετε τον απορροφητήρα από έκδοση ΑΠΟΡΡΟΦΗΣΗΣ σε έκδοση ΦΙΛΤΡΑΡΙΣΜΑΤΟΣ ανάλογα με το μοντέλο που διαθέτετε διαθέτουμε 2 διαφορετικούς τύπους κιτ, ένα με τα φίλτρα ορθογώνια (εικ. 10) και το άλλο με τα φίλτρα κυκλικά (εικ. 15).

1- Αν στη συσκευασία βρείτε ένα πλαίσιο όπως εκείνο της εικ. 14 πρέπει να το στερεώσετε στον απορροφητήρα μέσω των 6 βιδών που σας παρέχονται.

Για την αντικατάσταση των φίλτρων ενεργού άνθρακα, θα πρέπει να τραβήξετε προς τα έξω το μοχλό Β όπως φαίνεται στην (εικ. 10).

2- Αν στη συσκευασία το προϊόν σας δεν διαθέτει πλαίσιο, σημαίνει ότι το φίλτρο ενεργού άνθρακα είναι κυκλικό (εικ. 15).

Τα φίλτρα πρέπει να εφαρμόζονται στη μονάδα απορρόφησης στο εσωτερικό του απορροφητήρα κεντράροντάς τα σε αυτή και στρέφοντάς τα κατά 90 μοίρες μέχρι την ακινητοποίησή τους (Εικ. 15).

## ΧΡΗΣΗ ΚΑΙ ΣΥΝΤΗΡΗΣΗ

• Συνιστάται να θέτετε σε λειτουργία τη συσκευή πριν προχωρήσετε στο μαγείρεμα κάποιου τροφίμου. Συστήνεται να αφήνετε τη συσκευή να λειτουργεί για 15 λεπτά αφού τελειώσετε το μαγείρεμα των τροφίμων, για πλήρη εκκένωση του μολυσμένου αέρα.

Η καλή λειτουργία του απορροφητήρα εξαρτάται από τη σωστή και συνεχή συντήρηση. Ιδιαίτερη προσοχή πρέπει να δοθεί στο φίλτρο συγκράτησης λίπους και στο φίλτρο ενεργού άνθρακα.

• Το φίλτρο συγκράτησης λίπους έχει ως σκοπό τη συγκράτηση των λιπαρών σωματιδίων που αιωρούνται στον αέρα, συνεπώς υπόκειται σε έμφραξη σε χρονικά διαστήματα που ποικίλουν ανάλογα με τη χρήση της συσκευής.

Το ακρυλικό φίλτρο, που βρίσκεται στο πλέγμα, αντικαθίσταται όταν οι ενδείξεις, ορατές μέσω του πλέγματος, αλλάζουν χρώμα και το μελάνι απλώνεται. Το νέο φίλτρο πρέπει να εφαρμόζεται με τέτοιο τρόπο που οι ενδείξεις να είναι ορατές έξω από τον απορροφητήρα μέσω του πλέγματος.

Στην περίπτωση που τα ακρυλικά φίλτρα δεν φέρουν ενδείξεις ή υπάρχουν φίλτρα μεταλλικά ή με πάνελ αλουμινίου, για να προληφθεί ο κίνδυνος ενδοχόμενης πυρκαγιάς, είναι αναγκαία να πλένετε τα φίλτρα το πολύ κάθε 2 μήνες κάνοντας τα εξής:

- βγάλτε το φίλτρο από το πλέγμα και πλύνετε τον με υδατικό διάλυμα και υγρό ουδέτερο απορρυπαντικό αφήνοντάς το να εντοπίσει τη βρωμιά.

- Ξεβγάλετε με άφθονο χλιαρό νερό και αφήστε να στεγνώσει.

Τα μεταλλικά φίλτρα ή/και πάνελ αλουμινίου μπορούν να πλένονται από τον πλυντήριο πιάτων. Μετά από μερικά πλυσίματα, αν τα φίλτρα είναι από αλουμίνιο ή πάνελ αλουμινίου, μπορεί να διαπιστωθούν αλλοιώσεις του χρώματος. Το γεγονός αυτό δεν συνεπάγεται δικαίωμα διαμαρτυρίας για την ενδοχόμενη αντικατάστασή τους.

Σε περίπτωση που δεν τηρηθούν οι οδηγίες αντικατάστασης και πλυσίματος μπορεί να υπάρξει κίνδυνος πυρκαγιάς των φίλτρων συγκράτησης λίπους.

- Τα φίλτρα ενεργού άνθρακα χρησιμεύουν για να καθαρίζουν τον αέρα που διοχετεύεται στο περιβάλλον. Τα φίλτρα δεν πλένονται κι ούτε αναγεννιούνται και πρέπει να αντικαθίστανται κάθε τέσσερις μήνες το πολύ. Ο κορεσμός του ενεργού άνθρακα εξαρτάται από τη χρήση, περισσότερο ή λιγότερο παρατεταμένη, της συσκευής, από τον τύπο της κουζίνας και από τη συχνότητα καθαρισμού του φίλτρου συγκράτησης λίπους.

- Να καθαρίζετε συχνά όλα τα κατακάθια στον ανεμιστήρα και στις άλλες επιφάνειες, χρησιμοποιώντας ένα πανί βρεγμένο με οινόπνευμα καθαρισμού ή υγρά ουδέτερα και μη βίαια απορρυπαντικά.

- Η εγκατάσταση φωτισμού σχεδιάστηκε για να χρησιμοποιείται κατά το μαγείρεμα και όχι για γενικό παρατεταμένο φωτισμό του χώρου. Η παρατεταμένη χρήση του φωτισμού μειώνει σημαντικά τη μέση διάρκεια των λυχνιών.

#### Προσοχή!

**Αν το μοντέλο σας διαθέτει πλευρικά πάνελ (A), για έναν πιο επιμελημένο καθαρισμό, μπορείτε να τα αφαιρέσετε τραβώντας τα προς την υποδεικνυόμενη κατεύθυνση της εικ. 12**

#### • Αντικατάσταση των λυχνιών αλογόνου (Εικ.13).

Για την αντικατάσταση των λυχνιών αλογόνου Β βγάλτε το γυαλάκι C κάνοντας αντίσταση στις σχετικές εσοχές.

Αντικαταστήστε με λυχνίες ίδιου τύπου.

**Προσοχή:** μην αγγίζετε τη λυχνία με γυμνά χέρια.

#### Εντολες: (Εικ.17)

**Πλήκτρο A** = αναβεί/σβήνει τα φώτα

**Πλήκτρο B** = αναβεί/σβήνει τον απορροφητήρα. Η συσκευή αναβει στην 1<sup>ο</sup> ταχύτητα. Εάν ο απορροφητήρας είναι αναμμένο πατήστε το πλήκτρο για 2 δευτ. για να σβήσει. Εάν ο απορροφητήρας βρίσκεται στην 1<sup>ο</sup> ταχύτητα δεν είναι αναγκαίο να κρατάς πατημένο το πλήκτρο για να σβήσει. Ελάττωνει την ταχύτητα του κινητήρα.

**Display C** = δείχνει την ταχύτητα επιλογής του κινητήρα και την ενεργοποίηση του timer.

**Πλήκτρο D** = αναβει τον απορροφητήρα. Αυξάνει την ταχύτητα του κινητήρα. Πατώντας το πλήκτρο από την 3<sup>ο</sup> ταχύτητα εισαγεται η εντακτική λειτουργία για 10', μετά η συσκευή ξαναρχίζει να λειτουργεί στην ταχύτητα που λειτουργούσε την στιγμή της ενεργοποίησης. Κατά την διάρκεια αυτής της λειτουργίας το display αναβασβήνει.

**Πλήκτρο E** = Το Timer ρυθμίζει χρονικά τις λειτουργίες, τη στιγμή της ενεργοποίησης, για 15 λεπτά μετά την απενεργοποίησή τους. Το Timer απενεργοποιείται ξαναπιέζοντας το κουμπί E. Όταν η λειτουργία Timer είναι ενεργή στην οθόνη πρέπει να αναβοσβήνει το δεκαδικό σημείο. Αν είναι σε λειτουργία η έντονη ταχύτητα, το Timer δεν μπορεί να ενεργοποιηθεί.

Πιέζοντας το κουμπί E για 2 δευτερόλεπτα, όταν η συσκευή είναι σβηστή, ενεργοποιείται η λειτουργία "clean air". Αυτή ενεργοποιεί τον κινητήρα για 10 λεπτά κάθε ώρα στην πρώτη ταχύτητα. Κατά τη λειτουργία, η οθόνη πρέπει να απεικονίζει μια περιστροφική κίνηση των περιφερειακών τμημάτων. Με το πέρας του χρόνου αυτού ο κινητήρας σβήνει και η οθόνη πρέπει να απεικονίζει το γράμμα "C" σταθερά μέχρις ότου, μετά από άλλα 50 λεπτά, θα επανεκκινήσει ο κινητήρας για άλλα 10 λεπτά κ.ο.κ..

#### • Κορεσμός φίλτρων συγκράτησης λίπους/ενεργού άνθρακα:

- Όταν η οθόνη C αναβοσβήνει εναλλάσσοντας την ταχύτητα εργασίας με το γράμμα F (π.χ.1 και F) τα φίλτρα

**συγκράτησης λίπους** πρέπει να πλυθούν.

- Όταν η οθόνη C αναβοσβήνει εναλλάσσοντας την ταχύτητα εργασίας με το γράμμα A (π.χ.1 και A) τα φίλτρα **ενεργού άνθρακα** πρέπει να αντικατασταθούν.

Αφού επανατοποθετηθεί το καθαρό φίλτρο, θα πρέπει να κάνετε reset στην ηλεκτρονική μνήμη πιέζοντας το κουμπί A για περίπου 5 sec μέχρι να σταματήσει να αναβοσβήνει η επισήμανση F ή A της οθόνης C.

#### Εντολες: (Εικ.16) Φωτεινό

**A** = πλήκτρο ΦΩΤΙΣΜΟΥ

**B** = πλήκτρο ΟΦΦ ΤΑΧΥΤΗΤΑ

**C** = πλήκτρο ΠΡΩΤΗ ΤΑΧΥΤΗΤΑ

**D** = πλήκτρο ΔΕΥΤΕΡΗ ΤΑΧΥΤΗΤΑ

**E** = πλήκτρο ΤΡΙΤΗ ΤΑΧΥΤΗΤΑ

**F** = πλήκτρο TIMEP ΑΥΤΟΜΑΤΟ ΣΤΑΜΑΤΗΜΑ 15 λεπτών (\*)

Εάν η συσκευή σας διαθέτει την λειτουργία ENTONH λειτουργία, κρατήστε πιεσμένο για 2 δευτερόλεπτα περίπου τον πλήκτρο E και αυτή θα ενεργοποιηθεί Για 10 λεπτά μετά θα επανέλθει στην ταχύτητα που είχε από πριν ρυθμιστεί .

Όταν η λειτουργία είναι ενεργή το LED αναβοσβήνει. Για να γίνει διακοπή της πριν από τα δέκα λεπτά πατήστε και πάλι το πλήκτρο E

Πιέζοντας το πλήκτρο F για 2 δευτερόλεπτα (με τον απορροφητήρα σβηστό) ενεργοποιείται η λειτουργία "clean air". Αυτή η λειτουργία ανάβει τον κινητήρα για 10 λεπτά κάθε ώρα στην πρώτη ταχύτητα. Μόλις ενεργοποιηθεί η λειτουργία, ο κινητήρας ξεκινά με την 1η ταχύτητα για 10 λεπτά κατά τη διάρκεια των οποίων θα πρέπει να αναβοσβήνει το πλήκτρο F και το πλήκτρο C. Αφού περάσει αυτός ο χρόνος ο κινητήρας σβήνει και το φωτάκι του πλήκτρο F παραμένει αναμμένο σταθερό έως ότου μετά από άλλα 50 λεπτά ξαναξεκινά ο κινητήρας με την πρώτη ταχύτητα και τα φωτάκια F και C ξαναρχίζουν να αναβοσβήνουν για 10 λεπτά και έτσι συνεχίζει. Πιέζοντας οποιοδήποτε πλήκτρο εκτός των φώτων του απορροφητήρα επιστρέφει στην κανονική του λειτουργία αμέσως (π.χ. εάν πιέσω το πλήκτρο D απενεργοποιείται η λειτουργία "clean air" και ο κινητήρας πηγαίνει αμέσως στην 2η ταχύτητα, πιέζοντας το πλήκτρο B η λειτουργία απενεργοποιείται)

(\*) Η λειτουργία "TIMER ΑΥΤΟΜΑΤΟ ΣΒΗΣΙΜΟ" καθυστερεί το σταμάτημα του απορροφητήρα, που θα συνεχίσει να λειτουργεί στην τρέχουσα ταχύτητα κατά την ενεργοποίησή αυτής της λειτουργίας και για 15 λεπτά.

#### • Κορεσμός φίλτρων συγκράτησης λίπους/ενεργού άνθρακα:

- Όταν το κουμπί A αναβοσβήνει με συχνότητα 2 sec. τα φίλτρα **συγκράτησης λίπους** πρέπει να πλένονται.

- Όταν το κουμπί A αναβοσβήνει με συχνότητα 0,5 sec. τα φίλτρα **άνθρακα** πρέπει να αντικαθίστανται.

Αφού επανατοποθετηθεί το καθαρό φίλτρο θα πρέπει να κάνετε reset στην ηλεκτρονική μνήμη πιέζοντας το κουμπί A για περίπου 5 sec. μέχρι να σταματήσει να αναβοσβήνει.

**ΔΕΝ ΑΝΑΛΑΜΒΑΝΟΥΜΕ ΕΥΘΥΝΕΣ ΓΙΑ ΤΥΧΩΝ ΖΗΜΙΕΣ ΠΟΥ ΠΡΟΚΑΛΟΥΝΤΑΙ ΑΠΟ ΤΗΝ ΜΗ ΤΗΡΗΣΗ ΤΩΝ ΣΥΜΒΟΥΛΩΝ ΤΟΥ ΠΡΟΑΝΑΦΕΡΘΗΚΑΝ.**

## ÁLTALÁNOS TUDNIVALÓK

Kérjük, figyelmesen olvassa el útmutatónkat, mert fontos tudnivalókat tartalmaz a készülék felszerelésére, használatára és karbantartására vonatkozóan. Őrizze meg, mert a későbbiekben is szüksége lehet rá. A berendezést úgy tervezték, hogy elszívással (a levegőnek a szabadba történő kivezetésével – 1B ábra), szűrővel (a levegő visszavezetésével – 1A ábra), vagy külső motorral (1C ábra) is használható.

## BIZTONSÁGI FIGYELMEZTETÉSEK

1. Figyeljünk arra, hogyha nem villanvallyal működő és ugyanannak a helyiségnek a légtérét használó elszívó, kályha vagy tűzhely működik egyszerre, akkor az elszívó esetleg kivonja a kályha vagy a tűzhely égéséhez szükséges levegőt. A helyiség negatív nyomása 4 PA-nál nem lehet nagyobb ( $4 \times 10^{-3}$  bar). A biztonságos működés érdekében gondoskodjunk a helyiség megfelelő levegőellátásáról. A szennyezett levegő külső térbe való elvezetésekor tartsuk be az ide vonatkozó előírásokat.

### Mielőtt bekötne a modellt az elektromos hálózatba:


- ellenőrizze a (a készülék belsejében található) műszaki adatokat tartalmazó táblát, és győződjön meg arról, hogy az elektromos hálózat feszültsége és teljesítménye megfelel-e a feltüntetett adatoknak, valamint, hogy a csatlakozó megfelelő-e. Amennyiben kétélyei merülnek fel, forduljon szakképzett villanyszerelőhöz.
- Ha a tápkábel megsérült, ki kell cserélni egy másik kábelre, vagy a gyártónál vagy annak szervizközpontjában beszerezhető speciális egységre.

## 2. FIGYELEM !

**Bizonyos körülmények között a háztartási gépek veszélyesek lehetnek.**

- A) Ne nyúljunk a működésben levő elszívóba!**
- B) A világító berendezés hosszantartó használatá közben és azt közvetlen követően ne nyúljon a lámpákhoz és az azokhoz közeli részekhez.**
- C) Hosszabb használat után ne érintsük meg az elszívó izzóit!**
- D) Az elszívó alatt ne készítsünk flambirozott ételeket!**
- E) Kerüljük a magas láng használatát, mert rongálja a szűrőket és tűzveszélyes!**
- F) Ha zsírban, olajban sütünk, vigyázzunk, hogy ne hevítsük túl, mert lángra lobbanhat!**
- G) A készüléket mindennemű karbantartás előtt áramtalanítsuk!**

A készülék megfelel az elektromos és elektronikus berendezések hulladékairól (WEEE) szóló 2002/96/EK európai uniós irányelvnek. Gondoskodjon a termék megfelelő kezeléséről, annak működéséből történő kivonása után, a felhasználó hozzájárul a környezetre és az egészségre való káros hatások megelőzéséhez. A terméken vagy a mellékelt dokumentáción feltüntetett

 jelölés azt jelzi, hogy a termék nem kezelhető háztartási hulladékként, hanem a megfelelő begyűjtő állomásra kell vinni az elektromos és elektronikus berendezések újrahasznosítása érdekében. Készülékétől a hulladékkezelésre vonatkozó helyi előírásoknak megfelelően váljon meg.

A termékkel kezelésével, összegyűjtésével és újrahasznosításával kapcsolatos további információkért forduljon a megfelelő helyi irodához, a háztartási hulladékokat begyűjtő szolgáltatóhoz, vagy ahhoz az üzemhez, ahol a készüléket megvásárolta.

## FELSZERELÉSI UTASÍTÁSOK

**A beszerelést és az elektromos bekötést csak szakemberek végezhetik el.**

### • Elektromos bekötés

A termék kéteres kábellel készült, vigyázzunk, hogy az egyik huzalt se kössük a földvezetékbe.

A hálózatra való bekötésnél vegyük figyelembe a huzalok színét:

BARNA = L fázis

KÉK = N nullafázis

Amennyiben a terméken nincs csatlakozó, szereljük rá egy, a feltüntetett műszaki adatoknak megfelelő szabályos villásdugót.

Amennyiben a terméken van csatlakozó, akkor az elszívó úgy kell felszerelni, hogy a csatlakozó elérhető helyen legyen. Ha a készüléket közvetlenül kötjük a hálózatra, akkor iktassunk be a készülék és a hálózat közé egy legalább 3 mm-es, az áramerősségnek és az érvényes normáknak megfelelő kapcsolót.

• Gáz főzőlapok esetén az edénytartó főzőfelület és a konyhai elszívó legalja között a minimális távolságnak elektromos, gáz- vagy indukciós főzőlapok esetén legalább 45 cm-nek kell lennie.

Ha két vagy több elvezető csövet kell összeszerelnünk, akkor az alsó csövet illesszük a felső belsejébe.

Az elszívó csövet ne vezessük olyan kéménybe, amelyben meleg levegő áramlik, vagy amely nem villanvallyal működő berendezés égéstermékét vezeti el.

• Amennyiben a készüléket konyhai szagelszívóként szereli fel, gondoskodjon kéménynyílásról.

• **Ájánlatos 150 mm átmérőjű levegőelvezető csövet használni. Az átmérőcsökkentés csökkenti a termék teljesítményét, és növeli a zajosságát.**

• Mielőtt belekezdene a felszerelésbe, a készülék könnyebb kezelhetősége érdekében szedje ki a zsírszűrőt **B (6. ábra)**!

A felszerelési műveletek előtt a készülék típusától függően végezze el a következőket:

### 1. MODELL

A 4. ábra szerint húzza ki a **3 A** panelt!

A 6. ábra szerint forgassa el a **B** fogantyút!

## 2. MODELL

Az 5. ábra szerint nyissa ki a **C** panelt!

A 6. ábra szerint forgassa el a **B** fogantyút!

Amennyiben a készülék elszívókupolával rendelkezik, a 9. ábra szerint távolítsa el a 4 B csavart!

### • FALRA TÖRTÉNŐ RÖGZÍTÉS

Jelölje meg a falon az elszívó alsó oldalát **2A.** ábra (figyelembe véve a főzőszinttől való minimális távolságot **2B.** ábra)!

- Helyezze a rögzítőlemezt a falra, figyelve arra, hogy a vonal egybeessen az előző szakaszban meghúzott vonallal!

- Jelölje be és fúrja ki a rögzítési pontokat (3. ábra)!

- Enyhén becsavarva rögzítse a tiplikbe a **2 K** csavart (3. ábra)!

- Helyezze a készüléket vízszintesen a falra, és csavarja be a **K** csavarokat (7. ábra)!

- Amennyiben a kürtöt a helyére illesztette, rögzítse a **2 C** csavarral (8. ábra)!

- A szerelésekhez használjon a fal típusának megfelelő csavarokat és tipliket (pl. vasbetonhoz, gipszkartonhoz)!

- Amennyiben a termék tartalmazza a csavarokat és tipliket, győződjön meg róla, hogy azok a kürtő rögzítésére szolgáló fal típusának megfelelnek!

### • ÜZEMBE HELYEZÉS KÉMÉNYDÍSZBURKOLATTAL NEM RENDELKEZŐ MODELLEK ESETÉN ELSZÍVÓ MÓD

- A **9A.** ábra szerint távolítsa el a **4 B** csavart!

- A **9B.** ábra szerint távolítsa el mind a levegőkimeneti lyuk fölötti **E** rácsot, mind az **M** kupolát!

- Csatlakoztassa a kürtőt a flexibilis csőhöz (nincs mellékelve), melyet a rendelkezésre álló levegőelvezetési kimenetbe kell bekötni (**9C.** ábra)!

- A **4.** korábban a **9A.** ábra szerint kicsavart csavarral rögzítse fel újból a kupolát!

### • OPCIONÁLIS

A kürtőmodellhez díszburkolatot is lehet rendelni a viszonteladónál.

Felszerelés előtt a díszburkolatból a **10A-B.** ábra szerint ki kell csavarozni a **4 B** csavart, és el kell távolítani róla az **M** kupolát!

Ezenkívül rendelkezésre áll egy, a kürtő zajszintjét csökkentő hangszigetelő egység (melyet mint **OPCIONÁLIS** tartozékot kell megrendelni). Ezt a hangszigetelő réteget a díszburkolat hátuljára kell fölerősíteni. Fölerősítéséhez kövesse a csomaghoz mellékelt utasításokat!

### • ÜZEMBE HELYEZÉS KÉMÉNYDÍSZBURKOLATTAL ELLÁTOTT MODELLEK ESETÉN

A díszburkolat csatlakozása környékén alakítson ki elektromos csatlakozási lehetőséget!

Állítsa be a felső csatlakozáshoz való kémény tartókengyel szélességét (**11C.** ábra)!

Ezek után rögzítse az **A** csavarokkal a plafonhoz úgy, hogy egy tengelyen legyen a kürtővel (**11C.** ábra), és betartsa a **11B.** ábra szerint a plafontól tartandó szükséges távolságot! L flexibilis cső segítségével csatlakoztassa a **C** karimát a levegőkimenethez (**11D.** ábra)!

Csavarja be a kémény felső részét az alsóba! A mellékelt **B** csavarokkal rögzítse a kémény alsó részét a kürtőhöz (**11E.** ábra)!

Csavarja le a kémény felső részét a kengyelig, és rögzítse az **F** csavarokkal (**11C.** ábra)!

### • SZŰRŐ MÓD

#### Figyelem!

A szénzsűrőket kiegészítőként meg kell rendelni a viszonteladónál.

A kürtő **ELSZÍVÓ** módról **SZŰRŐ** módra való átállításához a rendelkezésre álló készüléktípustól függően két csomag választható, egy szűrőkazettás (**10.** ábra) és egy kör alakú szűrős (**15.** ábra).

1. Amennyiben a csomag tartalmaz egy, a **14.** ábrán jelzett kengyelt, a mellékelt **6** csavar segítségével rögzíteni kell a kürtőhöz.

Az aktív szénzsűrők kicseréléséhez a **10.** ábra szerint ki kell húzni a **B** kart.

2. Amennyiben a csomag nem tartalmaz kengyelt, az azt jelenti, hogy az aktív szénzsűrő kör alakú (**15.** ábra).

Helyezze be a szűrőket a kürtő belsejében található elszívóegységbe úgy, hogy miután helyükre tolta, **90** fokkal elforgatja őket kattanásig (**15.** ábra)!

## HASZNÁLAT ÉS KARBANTARTÁS

• Mielőtt bármilyen étel főzésébe belekezdene, tanácsos bekapcsolni a készüléket. A szennyezett levegő teljes kiszellőztetése érdekében a főzés végét követően ajánlatos még **15** percig bekapcsolva hagyni az elszívót. Az elszívó tökéletes működtetése megfelelő és folyamatos karbantartást igényel. Különös figyelmet kell fordítani a zsír- és az aktív szénzsűrőre.

• A zsírzsűrő megköti a levegőben lévő zsírszemcséket, melyek a használattól függően idővel eltömítik a készüléket.

A rácsra felfekvő akrilszűrőt akkor kell cserélni, ha a rácson keresztül látható írás színt vált, és a tinta szétterjed. Az új szűrőt úgy kell behelyezni, hogy a felíratot az elszívón kívülről, a rácson keresztül látni lehessen.

Amennyiben az akrilszűrőkön nincs felírat, vagy fémszűrőt, illetve alumíniumpanelt használ, a tűzveszély elkerülése érdekében legalább kéthavonta tisztítsa meg a szűrőket az alábbiak szerint:

- Vegye ki a szűrőt az elszívóból, és folyékony, semleges mosószeres vízzel mossa le a szennyeződést!

- Öblítse le alaposan langyos vízzel, majd hagyja megszáradni!

A fémszűrők és/vagy alumíniumpanelek mosogatógépben is elmoshatók. Az alumíniumszűrők, illetve -panelek színe többszöri mosás után megváltozhat. Ez nem jogosít fel a termék esetleges visszacserélésére.

A szűrőcserére és -tisztításra vonatkozó utasítások be nem tartása akár a zsírzsűrő kigyulladását is eredményezheti.

• Az aktív szénzsűrő arra szolgál, hogy a környezetbe visszaforgatott levegőt megtisztítsa. A szűrők nem moshatók és nem regenerálhatók, és legalább négyhavonta ki kell cserélni őket. Az aktív szén telítődése a készülék használatának gyakoriságától, az ételek fajtájától és a

zsírszűrő tisztításának gyakoriságától függ.

- Rendszeresen távolítsa el a ventilátorra és a készülékre rakódott szennyeződést! Ehhez használjon denaturált szeszbet vagy folyékony, semleges mosószerbe mártott, nem dörzshatású törlőt!
- A világítóberendezést főzés közbeni használatra tervezték, és nem a konyha általános, húzamos idejű megvilágítására. A húzamos idejű használat lényegesen lecsökkenti az égők átlag élettartamát.

### **Figyelem!**

**Amennyiben a modell rendelkezik oldalsó panelekkel (A), az alaposabb tisztítás érdekében azok a 12. ábrán jelzett irányba húzva eltávolíthatók.**

### **• A halogénizzók cseréje (13.ábra).**

A B halogénizzók cseréjéhez a megfelelő réseken keresztül megemelve vegye le a C üvegburát. Cserélje ki az izzókat azonos típusúakra!

**Figyelem!** Ne fogja meg a lámpát csupasz kézzel!

### **VEZÉRLÉS: (17.ábra)**

**A billentyű** = Be- illetve kikapcsolja a világítást.

**B billentyű** = Be- illetve kikapcsolja a páraelszívót. A készülék az 1. sebességnél kapcsol be. Ha az elszívó be van kapcsolva, a kikapcsoláshoz 2 másodpercig tartsa lenyomva a billentyűt. Ha az elszívó az első sebességre van állítva, nem szükséges a kikapcsoláshoz lenyomva tartani a billentyűt. Csökkenti a motor sebességét.

**C kijelző** = a motor kiválasztott sebességét valamint az időrelé bekapcsolását jelzi.

**D billentyű** = bekapcsolja az elszívót. Növeli a motor sebességét. Ha a billentyűt a 3. sebességben nyomja meg, 10 percre bekapcsol az intenzív funkciót, ezután a készülék visszatér a funkció kiválasztását megelőző üzemi sebességre. A funkció működése alatt a display villog.

**E billentyű** = A Timer, az aktiválás pillanatában, időzíti a funkciókat 15 percre, miután a funkciók kikapcsolnak. A Timer kikapcsolható az **E** billentyű megnyomásával. Amikor a Timer funkció aktív, a kijelzőn a tízedesponthak villognia kell. Ha az intenzív sebesség működésben van, a Timert nem lehet aktiválni.

Az **E** billentyű 2 másodpercig tartó megnyomásával, ha a készülék ki van kapcsolva, aktiválódik a „**clean air**” funkció. Ezzel bekapcsolódik a motor minden órában 10 percre első sebességre. Működés közben a kijelzőnek a perifériás részek forgó mozgását kell mutatnia. Ennek az időnek az elteltével a motor kikapcsol és a kijelzőn meg kell jelennie a nem villogó „**C**” betűnek egészen addig, amíg újabb 50 perc múlva a motor további 10 percre újraindul stb.

### **• A zsírszűrők/aktív szénszűrők telítődése:**

- Amennyiben a **C** kijelzőn az aktuális sebességfokozat és az **F** betű villog felváltva (pl. 1 és **F**), a **zsírszűrőket** meg kell mosni.

- Amennyiben a **C** kijelzőn az aktuális sebességfokozat és az **A** betű villog felváltva (pl. 1 és **A**), a **szénszűrőket** ki kell cserélni.

Miután visszahelyezte a tiszta szűrőt, az elektromos memória nullázásához nagyjából **öt másodpercre** tartsa lenyomva az **A** gombot, míg a **C** kijelzőn az **F**, vagy **A** jelzés villogása abba nem marad!

### **VEZÉRLÉS: (16.ábra) Fényvezérlés**

**A** = VILÁGÍTÁS

**B** = OFF

**C** = ELSŐ SEBESSÉG

**D** = MÁSODIK SEBESSÉG

**E** = HARMADIK SEBESSÉG

**F** = LEÁLLÍTÁS AUTOMATIKUS KÉSLELTETÉSE 15 perccel (\*)

• Amennyiben az Önök készüléke rendelkezik **INTENZÍV** sebesség funkcióval, tartásá körülből 2 másodpercig nyomva az **E** gombot. Ekkor 10 percre működésbe lép ez a funkció, majd visszaáll az eredetileg beállított sebességre. Amikor a funkció működik a LED villog. Amennyiben 10 percnél előbb meg óhajtja szakítani, nyomja meg ismételtén az **E** gombot.

Ha 2 másodpercig nyomva tartja (kikapcsolt szagelszívó mellett) az **F** gombot, működésbe lép a „**clean air**” funkció. Ez a funkció óránként 10 percre bekapcsolja a motort egyes sebességen. Amint működésbe hozta a funkciót, 10 percre beindul a motor egyes sebességen. Ez alatt az idő alatt az **F** és a **C** gomb együtt villog. 10 perc elteltével a motor kikapcsolódik, és az **F** gomb ledje folyamatos fénnel ég. 50 perccel később a motor ismételtén be fog indulni az egyes sebességen és az **F** és **C** ledék ismételtén villogni fognak 10 percig, stb. Amennyiben bármelyik gombot megnyomja (a világítás kivételével) a szagelszívó ismét visszatér normális működéséhez (pl. ha megnyomja a **D** gombot, kiiktatja a „**clean air**” funkciót és a motor nyomban kettes sebességen kezd működni; amennyiben megnyomja a **B** gombot kiiktatja ezt a funkciót)

(\*) A „Leállítási automatikus késleltetése” megakadályozza az elszívó kikapcsolását és a bura a funkció bekapcsolásakor folyamatban levő üzemi sebességen fog működni még 15 perccel.

### **• A zsírszűrők/aktív szénszűrők telítődése:**

- Amennyiben az **A** gomb **két másodpercenként** villog, a **zsírszűrőket** le kell mosni.

- Amennyiben az **A** gomb **fél másodpercenként** villog, a **szénszűrőket** le kell cserélni.

Miután visszahelyezte a tiszta szűrőt, az elektromos memória nullázásához nagyjából **öt másodpercre** tartsa lenyomva az **A** gombot, míg az villogni nem kezd!

**A HASZNÁLATI UTASÍTÁS BE NEM TARTÁSÁBÓL EREDŐ KÁROKÉRT SEMMINEMŰ FELELŐSSÉGET NEM VÁLLALUNK.**



## GENERELT

Les denne bruksanvisningen nøye. Her gis viktig informasjon angående sikker installering, bruk og vedlikehold av apparatet. Ta vare på bruksanvisningen for fremtidig behov. Apparatet er laget for å kunne brukes i avtrekksversjon (suge ut luft utenfra - Fig.1B), filterversjon (resirkulere luft innvendig - Fig.1A) eller versjon med ekstern motor (Fig.1C).

## SIKKERHETS INFORMASJON

1. Vær forsiktig dersom en vifte med utvendig avløp benyttes i samme rom som en brenner eller en ovn som ikke går på elektrisk strøm, da viften trekker ut luften brennere eller ovnen trenger til forbrenningen. Det negative trykket i rommet må ikke overstige 4 Pa (4x10<sup>-5</sup> bar). For sikker bruk må man derfor sørge for tilstrekkelig ventilasjon av lokalet. Avtrekket skal utføres i henhold til gjeldende forskrifter.

### Før modellen kobles til det elektriske systemet:

- Kontroller typeskiltet (befinner seg inni apparatet) for å kontrollere at spenning og styrke er i samsvar med strømmettet og at forbindelseskontakten er egnet. Er du i tvil ta kontakt med en kvalifisert elektriker.

- Dersom strømledningen er ødelagt, må denne byttes ut med en kabel eller en spesialenhet som kan skaffes hos produsenten eller serviceavdelingen til produsenten.

## 2. ADVARSEL !

**Husholdningsapparater kan være farlige i visse situasjoner.**

**A) Ikke kontroller filterne mens ventilatoren er i funksjon**

**B) Ikke vær borti lysene og området rundt dem i løpet av og like etter lenger bruk av lysinstallasjonen.**

**C) Berør ikke lyspærene når apparatet har vært i funksjon over lengre tid**

**D) Flammer aldri mat under ventilatoren**

**E) Unngå åpen flamme: det kan skade filterne og føre til brann**


**F) Ved frityrsteking må du være tilstede hele tiden og passe på at ikke oljen overopphetes og tar fyr**

**G) Dette apparatet er ikke ment for bruk av små barn eller tilbakestående personer uten tilsyn.**

**H) Små barn skal holdes under oppsikt for å sikre at de ikke leker med apparatet.**

**I ) Før det foretas noen form for vedlikehold på ventilatoren, må den frakobles strømmettet.**

Dette apparatet er merket i samsvar med det europeiske direktivet EC/96/2002, "Waste Electrical and Electronic Equipment" (WEEE). Ved å forsikre seg om at dette produktet blir avstans på korrekt måte vil brukeren bidra til å hindre potensielt negative effekter for miljø og helse.

Symbolet  på produktet, eller i den medfølgende dokumentasjonen viser til at dette produktet ikke må

behandles som husholdningsavfall, men må leveres inn til spesialinnsamling for elektriske og elektroniske produkter for resirkulering. Man må kvitte seg med apparatet slik lokale regler for avsetning og resirkulering tilsier. For nærmere informasjon om behandling, gjenvinning og resirkulering av dette produktet må man kontakte det lokale avfallsselskap, offentlig kontor med ansvar for søppelinnsamling eller butikken der produktet ble kjøpt.

## INSTALLASJONSVEILEDNING

**Montering og elektriske koblinger må utføres av kvalifisert personale.**

### • Elektrisk tilkobling

Apparatet er fremstilt i klasse II, ingen leder skal derfor kobles til jord. Tilkobling til strømmettet utføres på følgende måte:

BRUN = L strømførende

BLÅ = N nullleder

Hvis strømledningen er uten plugg, monteres en plugg av forskriftsmessig type, som svarer til strømstyrken som er oppgitt på typeskiltet. Dersom den er utstyrt med plugg, må ventilatoren monteres slik at pluggen er tilgjengelig.

Ved direkte tilkobling til strømmettet, må det monteres en flerpolet bryter med en kontaktåpning på minst 3 mm mellom apparatet og strømmettet. Bryteren skal være tilpasset strømstyrken og i overensstemmelse med gjeldende normer.

• Minimal avstand mellom overflaten der kasserollene/stekepannene står på platene og den nederste delen av viften må være på minst **45 cm** i tilfelle komfyren er av typen med elektrisk oppvarming, med gass eller med glødeplater.

Dersom det benyttes en avtrekkskanal bestående av to eller flere deler, skal den øvre delen tres utenpå den nedre. Koble ikke ventilatoravtrekket til et rør der det passerer varmluft eller røyk fra apparater som ikke går på strøm.

• I anledning montering av apparatet i avtrekksversjon, forbered på forhånd hullet for luftevakuering.

• **Det anbefales at man bruker et lufttømmør med diameter 150. Bruk av et reduksjonsrør kan forringe produktets ytelse og øke støyen.**

• Før monteringen skal filteret som forhindrer ansamling av fett B (Fig.6) tas ut, slik at det blir enklere å manøvrere apparatet.

Før dette inngrepet utføres, skal følgende faser utføres, på grunnlag av modellen man har:

### MODELL 1

Fjerne de 3 panelene **A** som angitt i fig. 4.

Trekk i håndtaket **B** som angitt i fig. 6.

### MODELL 1

Åpne panelet **C** som angitt i fig. 5.

Trekk i håndtaket **B** som angitt i fig. 6.

Hvis apparatet leveres med kuppel fjerner denne ved å løse de 4 skruene **B** som angitt i figur **9 A**.

#### • VEGGMONTERING

Merk av nedre del av avtrekksviften på veggen fig. **2A** (ta hensyn til minimumsavstand fra kokeplaten fig. **2B**).

- Plasser festeskinnen på veggen, se til at linjen tilsvare den som er merket av på veggen, som beskrevet i forrige punkt.

- Merke av og bore festehullene (fig. 3).

- Fissare le **2** viti superiori **K** senza avvitare completamente e tasselli ad espansione (fig. 3).

- Plasser apparatet på veggen, sett det vannrett og fest skruene **K** (fig. 7).

- Etter endt justering, feste avtrekksviften fullstendig med de **2** skruene **C** (fig. 8).

- Under installasjon må man bruke skruer og ekspansjonshylser som er egnet til den typen vegg man har (armert betong, gipsplate, osv.).

- Dersom skruer og hylser følger med produktet, må man kontrollere at de er egnet til den typen vegg avtrekksviften skal festes på.

#### • INSTALLASJON FOR MODELLER UTEN PYNTEHETTER AVTREKKSVERSJON

- Fjerne de **4** skruene **B** som angitt i (fig. 9 **A**).

- Fjerne både gitteret **E** som befinner seg over hullet for utslipp av luft, og kuppelen **M** som angitt i (fig. 9 **B**).

- Koble hetten til det bøyelige røret (følger ikke med) som deretter kobles til tømmehullet for luft som er satt opp på forhånd (fig. 9 **C**).

- Feste deretter kuppelen på nytt med de **4** skruene som ble tatt av før (fig. 9 **A**).

#### • EKSTRAUTSTYR

Denne viftemodellen kan ha pyntehetter som ekstrautstyr - disse får du ved forespørsel hos din forhandler.

Før pyntehettene installeres, må de **4** skruene **B** og kuppelen **M** fjernes, som angitt i (fig. 10 **A - B**).

- Dessuten finnes det et lyddeppe sett (bestilles som **EKSTRAUTSTYR**) slik at viften blir mer stillegående. Dette lyddeppe laget skal monteres bak på hetten. Se anvisningene som leveres sammen med settes for monteringen.

#### • INSTALLASJON FOR MODELLER MED PYNTEHETTER

Sett opp el-tilførselen innenfor pyntekoblingens plassopptak. Juster bredden til støttebøylen for den øvre koblingen (Fig. 11 **C**). Deretter skal den festes til taket slik at den står i akse med viften ved hjelp av skruene **A** (Fig. 11 **C**) og avstanden fra taket som angitt i (Fig. 11 **B**) må overholdes. Koble, ved hjelp av det bøyelige røret **L** flensen **C** til tømmehullet for luft (Fig. 11 **D**). Sett inn den øvre delen av avtrekket inn i den nedre delen. Feste den nedre delen av avtrekket til hetten ved hjelp av skruene **B** som følger med (Fig. 11 **E**). Trekk ut den øvre delen av avtrekket frem til bøylen og feste den ved hjelp av skruene **F** (Fig. 11 **C**).

#### • FILTERVERSJON

##### Advarsel!

Kullfiltrene må bestilles hos forhandleren som ekstrautstyr.

For å omvandle viften fra AVTREKKSVERSJON til **FILTERVERSJON** på grunnlag av modellen du innehar, finnes det **2** forskjellige sett, ett med kassefiltere (fig. 10) og det andre med sirkulasjonsfiltere (fig. 15).

1- Hvis du i emballasjen finner en bøyle som angitt i fig. 14 må den festes til avtrekket ved hjelp av de 6 skruene som følger med.

For å skifte ut filterene med aktivt kull må spaken **B** trekkes utover, som angitt i (fig. 10).

2- Hvis produktet ditt ikke er utstyrt med bøyle i innpakningen, betyr at det aktive kullfilteret er sirkulært (fig. 15).

Filtrene må settes på inne i avtrekksgruppen inne i viften idet de sentreres og vris 90 grader til de knepper på plass (Fig. 15).

#### BRUK OG VEDLIKEHOLD

• Det anbefales å sette i gang apparatet før matlagingen starter. Det anbefales også å la apparatet virke i 15 minutter etter at matlagingen er avsluttet, slik at all matos og lukt fjernes fullstendig.

For at viften til enhver tid skal virke tilfredsstillende, er det viktig at man utfører vedlikeholdet regelmessig. Spesielt gjelder dette fettfilteret og kullfilteret.

• Fettfiltrenes oppgave er å fjerne fettpartiklene i luften. Filtrene vil derfor med tiden bli skitne, avhengig av hvor ofte apparatet brukes.

Akrylfilteret, som befinner seg på gitteret skal skiftes ut når teksten, som synes gjennom gitteret, skifter farge og blekket flyter utover. Det nye filteret må settes på slik at teksten er synlig gjennom gitteret fra viftens utside.

I tillegg det ikke finnes tekst på akrylfilterene eller det finnes metalliske filtre eller aluminiumspaneler, skal filterne vaskes minst annenhver måned for å unngå brannfare. For rengjøring, gå frem som følger:

- Ta filterne ut av viften og legg dem i bløt i vann tilsatt et flytende, nøytralt rengjøringsmiddel. Vent til fett har løst seg opp.

- Skyll omhyggelig med lunkent vann og la filterne tørke. Metallfilterne og/eller aluminiumspanelene kan også vaskes i oppvaskmaskin. Det kan hende aluminiumsplatene får en litt annen farge etter at de har blitt vasket noen ganger. Dette gir imidlertid ikke rett til en eventuell utskiftning i garantitiden.

I tillegg anvisningene for utskifting og rengjøring ikke følges kan det oppstå fare for brann i fettfiltrene.

• Kullfiltrene rensar luften før den føres ut i rommet igjen. Filtrene kan ikke vaskes eller brukes om igjen, og må skiftes ut minst hver 4. måned. Hvor raskt kullfiltrene blir skitne avhenger av hvor ofte viften brukes, hva slags mat som tilberedes og hvor ofte fettfilteret rengjøres

• Fjern regelmessig alt fettbelegg på viften og andre overflater ved hjelp av en klut fuktet med sprit eller et nøytralt, flytende rengjøringsmiddel som ikke lager riper.

• Belysningsanlegget er prosjektert for bruk under matlaging og ikke for lengre opplysning av rommet. Forlengte bruk av belysningen minsker varigheten av lyspærene betraktelig.

## Advarsel!

Hvis modellen du innehar er utstyrt med sidepaneler (A), er det mulig å fjerne disse ved å trekke i retningen angitt i fig.12 for en grundigere rengjøring.

### • Utskifting av halogene lyspærer (Fig.13).

For å skifte ut de halogene lyspærene B ta av glasset C ved å trykke på hakkene.

Skifte ut med lyspærer av samme type.

Advarsel: Ikke ta på lyspærene med bare hender.

### KONTROLLER: (Fig.17)

**Tast A** = lys på/av

**Tast B** = ventilator på/av. Apparatet starter på 1. hastighet. Dersom ventilatoren er på, trykker man 2 sekund på knappen for å slå den av. Dersom ventilatoren befinner seg på 1. hastighet er det ikke nødvendig å holde knappen inne for å slå den av. Motorhastighet reduseres.

**Display C** = indikerer den valgte motorhastigheten og aktivering av tidsur.

**Tast D** = starter ventilatoren. Øker motorens hastighet. Ved å trykke på tasten fra 3. hastighet vil intensiv-funksjonen aktiveres i 10 minutter. Deretter vil apparatet gjenoppta den normale hastigheten det gikk på da funksjonen ble aktivert. Displayet vil blinke så lenge funksjonen er aktivert.

**Tast E** = Tidsbryteren bryter av funksjonene etter en bestemt tid, etter at denne er blitt akkivert vil funksjonene slå seg av etter 15 minutter. Tidsbryteren vil bli deaktivert ved å trykke en gang til på tast E. Når tidsbryterfunksjonen er aktiv vil man på skjermen se desimalpunktet som blinker. Dersom intensiv hastighet er på kan ikke tidsavbrudd aktiveres.

Ved å trykke på tast E i 2 sekunder med avslått apparat vil funksjonen "clean air" aktiveres. Denne funksjonen slår på motoren i 10 minutter hver time, ved laveste hastighet. Under bruk må skjermen vise rotasjonsbevegelsen til de ytre segmentene. Når denne tiden er gått, vil motoren slå seg av og man vil på skjermen kunne se bokstaven "C" lyse, helt til motoren starter opp igjen etter 50 minutter for å være i virksomhet 10 minutter til.

### • Overmetning av aktivt-karbonfilteret/avfettingsfilteret:

- Når man skjermen C ser at bokstaven F blinker, med vekslende hastighet, (f.eks.1 og F) må fettfiltrene rengjøres.

- Når man skjermen C ser at bokstaven A blinker, med vekslende hastighet, (f.eks.1 og A) må karbonfiltrene skiftes.

Etter at det rene filteret er plassert riktig, skal det elektroniske minnet tilbakestilles ved å trykke på knappen A i ca. **5 sekunder**, inntil indikasjonen F eller A som vises på displayet C slutter å blinke.

**KONTROLLER:** (Fig.16) **MED LYS** benyttes følgende symboler:

**A** = tast for BELYSNING

**B** = tast for OFF (AV)

**C** = tast for FØRSTE HASTIGHET

**D** = tast for ANNEN HASTIGHET

**E** = tast for TREDJE HASTIGHET

**F** = tast TIDSURE AUTOMATISK STOPP 15 minutter (\*)

Hvis ditt apparat er utstyrt med hastighetsfunksjonen **INTENSIV**, hold inne tasten E i ca. 2 sekunder og denne funksjonen aktiveres i 10 minutter og deretter går den tilbake til den forhåndsinnstilte hastigheten.

Når funksjonen er aktiv blinker LED. For å avbryte før det har gått 10 minutter trykk på nytt på tasten E.

Ved å trykke på tasten F i 2 sekunder (når viften er avslått), aktiveres funksjonen "**clean air**". Denne funksjonen gjør at motoren startes i 10 minutter hver time på laveste hastighet. Med en gang funksjonen aktiveres, starter motoren på laveste hastighet og varer i 10 minutter. I disse 10 minuttene blinker både tasten F og tasten C. Etter disse 10 minuttene stopper motoren og lyset til tasten F forblir påslått inntil motoren starter igjen etter 50 minutter. Da begynner lysene til F og C å blinke igjen i 10 minutter osv. Ved å trykke på hvilken som helst tast på viften (ikke tastene tilhørende lysene), går viften tilbake til sin normale funksjon (f.eks. hvis du trykker på tasten D stanses funksjonen "**clean air**" og motoren startes øyeblikkelig på hastighetsnivå 2; ved å trykke på tasten B stanses funksjonen).

(\*) Med funksjonen "tidsur automatisk stopp" utsettes stans av ventilatoren, som vil fortsette å gå i 15 minutter på samme hastighet som da funksjonen ble aktivert.

### • Overmetning av aktivt-karbonfilteret/avfettingsfilteret:

- Når tasten A blinker med en frekvens på **2 sek.**, er det nødvendig å gjøre rent **avfettingsfiltrene**.

- Når tasten A blinker med en frekvens på **0,5 sek.**, er det nødvendig å bytte ut **karbonfiltrene**.

Deretter settes det rene filteret tilbake på plass, og man stiller så tilbake minnet ved å trykke på tast A i ca **5 sekunder**, helt til det slutter å blinke.

### PRODUSENTEN FRASKRIVER SEG ETHVERT ANSVAR FOR SKADER SOM SKYLDES AT OVENNEVNT RETNINGSLINJER IKKE ER BLITT FULGT

## INFORMACJE OGÓLNE

Należy zapoznać się dokładnie z niniejszym tekstem, zawierającym wskazówki, dotyczące bezpieczeństwa przy instalacji, eksploatacji i konserwacji okapu kuchennego. Należy zachować niniejsze instrukcje także dla późniejszych konsultacji. Urządzenie zostało zaprojektowane w wersji zasysającej (odprowadzanie powietrza na zewnątrz – Ryc.1B), filtrującej (recyrkulacja powietrza wewnątrz – Ryc.1A) lub z silnikiem zewnętrznym (Ryc.1C).

## UWAGI O BEZPIECZEŃSTWIE

1. Nie należy używać jednocześnie okapu kuchennego i paleniska lub kominka zależnych od powietrza w pomieszczeniu i niezasilanych energią elektryczną, ponieważ okap zużywa powietrze potrzebne do ich spalania. Ciśnienie ujemne w pomieszczeniu nie powinno przekraczać 4 Pa ( $4 \times 10^{-5}$  bar). Należy więc zadbać o prawidłową wentylację w pomieszczeniu, konieczną dla bezpiecznego funkcjonowania urządzenia. Przy odprowadzaniu dymu na zewnątrz, należy przestrzegać norm obowiązujących w waszym kraju.

### Przed podłączeniem modelu do sieci elektrycznej:

- skontrolować tabliczkę znamionową (znajdującą się wewnątrz urządzenia) aby upewnić się, że napięcie i moc są odpowiednie dla danej sieci i, że gniazdo wtykowe połączenia jest odpowiednie. W przypadku wątpliwości zwrócić się do wykwalifikowanego elektryka.
- Jeśli przewód zasilania jest uszkodzony powinien zostać wymieniony na przewód lub specjalny zespół dostępny u producenta lub u jego obsługi technicznej.


## 2. UWAGA !

**Elektryczny sprzęt gospodarstwa domowego w niektórych okolicznościach może być niebezpieczny.**

- A) Nie kontrolować filtrów przy okapie funkcjonującym**
- B) Nie dotykać lamp i ich bliskiego obszaru podczas i bezpośrednio po dłuższym użytkowaniu urządzenia oświetlającego.**
- C) Nie dotykać żarówek po dłuższym funkcjonowaniu urządzenia**
- D) Nie wolno gotować potraw na otwartym ogniu**
- E) Nie stosować otwartego ognia, ponieważ może uszkodzić filtry i spowodować pożar**
- F) Postępować ostrożnie przy smażeniu, aby przegrzany olej nie zapalił się**
- G) Urządzenie nie zostało stworzone do użytkowania przez dzieci lub osoby niesprawne bez nadzoru osób dorosłych.**
- H) Uważać, aby dzieci nie bawiły się urządzeniem.**
- I) Przed przystąpieniem do jakiegokolwiek czynności związanej z konserwacją, wyłączyć okap z sieci elektrycznej.**

Niniejsze urządzenie oznaczone jest zgodnie z dyrektywa europejska 2002/96/EC, Waste Electrical and Electronic

Equipment (WEEE). Upewnij się, że niniejszy produkt zostanie zutylistowany we właściwy sposób, użytkownik przyczynia się do ochrony przed potencjalnymi konsekwencjami negatywnymi dla środowiska i zdrowia.

Symbol  podany na produkcie lub na dokumentacji towarzyszącej mu wskazuje, że produktu ten nie powinien być traktowany jako odpad domowy, lecz powinien być przekazany w stosownym punkcie zbiórki w celu odzyskania urządzeń elektrycznych i elektronicznych. Pozbywać się go zgodnie z miejscowymi normami w zakresie utylizacji odpadów. Dla uzyskania dodatkowych informacji na temat traktowania, odzyskiwania i recyklingu tego produktu, należy skontaktować się z odpowiednim lokalnym biurom, służbą odpadów domowych lub ze sklepem, w którym produkt został zakupiony.

## INSTRUKCJE DO INSTALACJI

**Czynności montażu i podłączenia elektrycznego powinny być dokonane przez wyspecjalizowany personel.**

### • Podłączenie elektryczne

Urządzenie skonstruowane jest według klasy II, dlatego przewody nie muszą być uziemione.

Podłączenie do sieci elektrycznej powinno być przeprowadzane następująco:

**BRĄZOWY = L** linia

**BIŁY = N** zerowy

Jeżeli przewód nie posiada wtyczki, zamontować wtyczkę, dostosowaną do obciążenia instalacji podanego na tabliczce znamionowej. Jeżeli okap posiada wtyczkę, to należy zamontować go tak, aby dostęp do wtyczki był łatwy. Przy bezpośrednim podłączeniu do sieci elektrycznej, między urządzeniem i siecią należy umieścić wyłącznik wielobiegunowy, ze stykami w odległości przynajmniej 3 mm, przystosowany do obciążenia i zgodny z obowiązującymi normami.

- Minimalna odległość pomiędzy powierzchnią, na której znajdują się naczynia do gotowania na kuchence i najniższą częścią okapu kuchennego powinna wynosić **45 cm** w przypadku kuchenki gazowej lub w przypadku kuchenki elektrycznej lub indukcyjnej.

Przy zastosowaniu rury łączącej składającej się z dwóch lub kilku części, część górna rury musi znajdować się wewnątrz części dolnej. Nie należy łączyć przewodu wyciągowego okapu z przewodem, w którym krąży gorące powietrze lub z przewodem przeznaczonym do odprowadzania dymu z urządzeń zasilanych energią inną niż energia elektryczna.

- W przypadku montażu urządzenia w wersji ssącej przygotować otwór odprowadzenia powietrza.

- Sugeruje się, aby używać przewodu o średnicy 150 do odprowadzania powietrza. Używanie przewężenia może zmniejszyć osiągi produktu i zwiększyć hałas.

- Przed rozpoczęciem montażu urządzenia, w celu jego utratwienia, należy wyjąć filtr przeciw tłuszczowy **B** (rys. 6).

Przed wyjęciem filtra, w zależności od modelu urządzenia, należy wykonać następujące czynności:

#### MODEL 1

Usunąć 3 płyty **A** w sposób pokazany na rys. 4.  
Pociągnąć uchwyt **B** w sposób pokazany na rys. 6.

#### MODEL 2

Otworzyć płytę **C** w sposób pokazany na rys. 5.  
Pociągnąć uchwyt **B** w sposób pokazany na rys. 6.  
Jeśli urządzenie jest zaopatrzone w kopułkę, należy ją zdjąć, odkręcając 4 śruby **B** w sposób pokazany na rysunku 9 A.

#### • MONTAŻ NA ŚCIANIE

Zaznacz dolną krawędź okapu na ścianie — patrz rys. 2A. Należy przy tym pamiętać o minimalnej odległości od płyty kuchennej (rys. 2B).

- Umieść wzornik do ustalenia położenia na ścianie, tak aby jego linia pasowała do linii wyznaczonej przed chwilą.

- Zaznacz i wykonaj otwory do mocowania (rys. 3).

- Zamocuj kołki rozporowe i wkręć 2 górne wkręty **K**, nie dokręcając ich (rys. 3).

- Umieść urządzenie na ścianie, ustawiając je dokładnie w pozycji poziomej i dokręć wkręty **K** (rys. 7).

- Przed rozpoczęciem regulacji zamocuj ostatecznie okap, używając do tego 2 śrub **C** (rys. 8).

- Podczas montażu należy stosować wkręty i kołki rozporowe odpowiednie do rodzaju ściany (np. beton zbrojony, płyta gipsowo-kartonowa itd.).

- W przypadku wkrętów i kołków znajdujących się w zestawie, należy upewnić się, czy są one odpowiednie dla rodzaju ściany, na której ma być zamocowany okap.

#### • MONTAŻ MODELI BEZ OZDOBNYCH KOMINÓW WERSJA Z WENTYLATOREM

- Wyjmij 4 śruby **B** w sposób pokazany na rys. 9 A.

- Usuń siatkę **E** umieszczoną na otworze wylotowym powietrza i kopułkę **M** w sposób pokazany na rys. 9 B.

- Połącz okap z giętkim przewodem rurowym (nie znajduje się w zestawie), który z kolei zostanie połączony z przygotowanym wcześniej otworem wentylacyjnym (rys. 9 C).

- Zamocuj z powrotem kopułkę za pomocą uprzednio wyjętych 4 śrub (rys. 9 A).

#### • WERSJA OPTIONAL

Ten model okapu może zawierać dodatkowo ozdobne kominy, które można zamówić u sprzedawcy.

Przed zamontowaniem ozdobnych kominów należy wyjąć 4 śruby **B** i zdjąć kopułkę **M** w sposób pokazany na rys. 10 A-B.

Dostępny jest również zestaw dźwiękochłonny (zamawiany dodatkowo w ramach wersji **OPTIONAL**), dzięki któremu okap pracuje jeszcze ciszej. Warstwę dźwiękochłonną należy zamocować z tyłu płyty ozdobnej. Instrukcja montażu została dołączona do zestawu.

#### • MONTAŻ MODELU Z KOMINAMI OZDOBNYMI

Wewnątrz obszar łącznika dekoracyjnego należy przygotować podłączenie do zasilania elektrycznego. Ustaw szerokość uchwytu górnego łącznika (rys. 11 C). Następnie zamocuj uchwyt przy suficie, regulując śruby **A** w taki sposób, aby znajdował się on na osi okapu (rys. 11 C). Pamiętaj o zachowaniu odległości od sufitu

pokazanej na rys. 11 B. Połącz za pomocą giętkiego przewodu rurowego **L** kołnier **C** z otworem wentylacyjnym (rys. 11 D).

Włóż górny komin do wnętrza kominu dolnego. Przymocuj dolny komin do okapu, używając znajdujących się w zestawie śrub **B** (rys. 11 E).

Przesuń górny komin do obejm i zamocuj go za pomocą śrub **F** (rys. 11 C).

#### • WERSJA Z FILTREM

##### Uwaga!

Filtry węglowe należy zamówić dodatkowo u sprzedawcy.

Aby zmienić okap Z WENTYLATOREM na wersję Z FILTREM, w zależności od rodzaju posiadanego urządzenia, są do dyspozycji 2 inne zestawy, jeden z filtrem szufladkowym (rys. 10) i drugi z filtrem okrągłym.

1- Jeśli w opakowaniu znajdziesz listwę jak ta wskazana na rysunku 14 należy przykręcić ją do okapu 6 dostarczonymi wkrętami.

Aby wymienić filtry z aktywnym węglem, należy pociągnąć na zewnątrz dźwignię **B** w sposób pokazany na rys. 10.

2- Jeśli w opakowaniu nie ma listwy oznacza to, że filtr z aktywnym węglem jest okrągły (rys. 15).

Filtry powinny być zainstalowane na zespole zasysającym znajdującym się wewnątrz okapu, należy je wyśrodkować i obrócić o 90 stopni, tak aby zaskoczyły na swoje miejsce (Rys. 15).

## EKSPLOATACJA I KONSERWACJA

• Zaleca się uruchomienie urządzenia przed przystąpieniem

do gotowania potrawy. Zaleca się pozostawienie działającego urządzenia przez około 15 minut po zakończeniu gotowania potraw w celu całkowitego usunięcia nieswieżego powietrza.

Prawidłowe działanie okapu uwarunkowane jest właściwą i stałą konserwacją; szczególną uwagę należy zwrócić na filtr przeciwtłuszczowy oraz na filtr z węgla aktywnego.

• Filtr przeciwtłuszczowy ma za zadanie zatrzymywanie cząsteczek tłuszczu zawieszonych w powietrzu, dlatego narażony jest na zatkanie w czasie zależnym od trwania użytkowania urządzenia.

Filtr akrylowy, który ułożony jest na kratce wymienić należy wówczas, gdy napisy widoczne poprzez kratkę zaczną zmieniać kolor a tusz ulegnie zamazaniu; nowy filtr powinien być założony w taki sposób, aby napisy były widoczne przez kratkę od zewnątrz okapu.

W przypadku gdy filtry akrylowe nie posiadają napisów lub gdy obecne są filtry metalowe lub panel aluminiowy, dla zapobieżenia zagrożenia ewentualnym pożarem najwyższej raz na 2 miesiące koniecznym jest umycie filtrów przy zastosowaniu następujących wskazówek:

- zdjąć filtr z kratki i umyć go w roztworze wody i płynnego detergentu obojętnego usuwając zabrudzenia

- Splukać obficie letnią wodą i pozostawić do wyschnięcia.

Filtry metalowe i/lub panele aluminiowe mogą być myte także w zmywarkach do naczyń, Po kilku umyciach, jeśli filtry wykonane są z aluminium lub występuje aluminiowy panel można zauważyć przebarwienia kolorów. Fakt ten nie daje prawa do domagania się ich ewentualnej wymiany. W przypadku niedochowania zaleceń wymiany i

mycia może pojawić się zagrożenie pożarem filtrów przeciwłuszczowych.

- Filtry z węgla aktywnego służą do oczyszczania powietrza wydalanego do otoczenia. Filtry nadają się do mycia lub regeneracji i powinny być wymieniane najdalej co cztery miesiące. Nasylenie węgla aktywnego zależne jest od długości czasu użytkowania urządzenia, od rodzaju kuchenki oraz od regularności, z jaką wykonywane jest czyszczenie filtra przeciwłuszczowego.

- Czyszczy regularnie wszystkie osady na wentylatorze oraz na pozostałych powierzchniach posługując się szmatką zwilżoną denaturatem lub nieściernymi, neutralnymi, płynami czyszczącymi.

- Instalacja oświetleniowa zaprojektowana jest do użytkowania podczas gotowania, a nie do długotrwałego użycia jako oświetlenie główne pomieszczenia. Przedłużone użytkowanie oświetlenia zmniejsza znacząco średnią trwałość żarówek.

#### Uwaga!

**Jeśli Wasze urządzenie posiada ścianki boczne (A) to aby móc lepiej je wyczyścić można je ściągnąć podciągając w kierunku wskazanym na rysunku 12.**

- **Wymiana lamp halogenowych (Rys.13).**

Aby wymienić lampy halogenowe B ściągnąć szkiełko C wykorzystując do tego odpowiednie otwory. Wymienić lampy na takie same.

**Uwaga:** Nie dotykać lampy gołą ręką.

#### WYŚWIETLACZ: (Rys.17)

**Przycisk A** = przycisk włączający / wyłączający oświetlenie

**Przycisk D** = przycisk włączający / wyłączający urządzenie. Okap włączy się przy 1 prędkości. Przy uruchomieniu włączonym, naciskając przycisk przez 2 sekundy, nastąpi wyłączenie okapu. Jeżeli urządzenie pracuje przy pierwszej prędkości, aby wyłączyć okap, nie jest konieczne naciśnięcie przycisku. Silnik będzie pracował przy zmniejszonych obrotach.

**Wyświetlacz C** = wskazuje wybraną prędkość i informuje, czy został włączony licznik czasu.

**Przycisk B** = uruchamia okap. Naciskając taki przycisk nastąpi wzrost prędkości. Naciskając przycisk urządzenie z trzeciej prędkości przejdzie w intensywny tryb pracy, który będzie trwał ok. 10 sekund, po czym wróci do funkcjonowania przy wybranej poprzednio prędkości. W czasie uruchomienia takiej funkcji, wyświetlacz zapali się światłem migającym.

**Przycisk E** = II Timer reguluje czasowo funkcje, w chwili włączenia, przez 15 minut po ich wyłączeniu. II Timer włącza się ponownym wciśnięciem przycisku **E**. Kiedy funkcja Timer jest włączona to na wyświetlaczu dziesiętna pozycja ma migać. Jeżeli włączona jest prędkość intensywna wówczas Timer nie można włączyć.

Wciśnięciem przycisku **E** na 2 sekundy, gdy urządzenie jest wyłączone, włącza się funkcję „clean air”. Włączy się wówczas silnik co godzinę na 10 minut przy pierwszej prędkości. Podczas funkcjonowania obrotowy ruch peryferyjnych segmentów. Po tym czasie silnik wyłączy się na wyświetlaczu ukaże się litera „C” świecąca się w sposób ciągły przez następne 50 minut, po czasie którym silnik włączy się i tak dalej.

- **Nasylenie filtrów przeciwłuszczowych/ z węgla aktywnego:**

- Kiedy wyświetlacz **C** miga zmieniając prędkość pracy na literę **F** (es.1 e **F**) filtry **przeciwłuszczowe** mają być umyte.

- Kiedy wyświetlacz **C** miga zmieniając prędkość pracy na literę **A** (es.1 e **A**) filtry **węglane** mają być wymienione. Po umieszczeniu czystego filtra należy wyzerować elektroniczną pamięć naciśnięciem przycisku **A** na około **5 sekund** aż do momentu, kiedy sygnalizator świetlny **F** lub **A** na wyświetlaczu **C** przestanie migać.

- **Układ sterowania:** (Rys.16) Stery świetlne znaczenie symboli jest następujące.

**A** = przycisk OŚWIETLENIE

**B** = przycisk WŁĄCZENIE

**C** = przycisk PIERWSZA PRĘDKOŚĆ

**D** = przycisk DRUGA PRĘDKOŚĆ

**E** = przycisk TRZECIA PRĘDKOŚĆ

**F**=przycisk REGULATOR CZASOWY AUTOMATYCZNEGO WYŁĄCZENIA po 15 minutach (\*)

Jeżeli Wasze urządzenie jest zaopatrzone w funkcję prędkości **INTENSYWNEJ**, należy przyciskać przez około 2 sekundy przycisk **E** i ta funkcja się włączy przez 10 minut po czym powróci do poprzednio ustawionej prędkości.

Jeżeli funkcja jest aktywna dioda LED miga. Aby ją wyłączyć przed upływem 10 minut przycisnąć ponownie klawisz **E**

Przyciskając przycisk **F** przez 2 sekundy (przy wyłączonym okapie) włącza się funkcja „clean air”. Ta funkcja powoduje włączanie silnika przez 10 minut co godzinę na pierwszej prędkości. Jak tylko ta funkcja jest włączona silnik włącza się na 1<sup>o</sup> prędkość na okres 10 minut podczas tych minut powinny migać jednocześnie przycisk **F** i przycisk **C**. Po upływie tego czasu silnik się wyłącza i LED przycisku **F** świeci się statym światłem aż do momentu gdy po upływie następnych 50 minut ponownie włącza się silnik na pierwszą prędkość i LED **F** i **C** ponownie migają przez 10 minut i dalej w ten sam sposób. Przyciskając jakikolwiek przycisk za wyjątkiem świateł okapu silnik powraca natychmiast do normalnego funkcjonowania (np. jeżeli przyciska się przycisk **D** włącza się funkcja „clean air” i silnik przechodzi od razu na 2<sup>o</sup> prędkość; przyciskając przycisk **B** funkcja się wyłącza)

(\*) Funkcja „regulator czasowy wyłączenia automatycznego” opóźni wyłączenie okapu, który będzie funkcjonował przez 15 minut wg regulacji prędkości, jaką posiadał w momencie włączenia takiej funkcji.

- **Nasylenie filtrów przeciwłuszczowych/ z węgla aktywnego:**

- Kiedy przycisk **A** pulsuje z częstotliwością **2 sec**. Filtry **przeciwłuszczowe** wymagają przemycia.

- Kiedy przycisk **A** pulsuje z częstotliwością **0,5 sec**. Filtry **węglowe** wymagają wymiany.

Po ponownym założeniu czystego filtra należy zresetować pamięć elektroniczną wdużając przycisk **A** przez około **5 sec**. aż ustanie pulsowanie.

**DOSTAWCA UCHYLA SIĘ OD WSZELKIEJ ODPOWIEDZIALNOŚCI ZA EWENTUALNE USTERKI, SPOWODOWANE NIEPRZESTRZEGANIEM WYŻEJ WYMIIENIONYCH WSKAZÓWEK.**

## DESCRIERE GENERALĂ

itii cu atenție instrucțiunile de siguranță, utilizare și întreținere cuprinse în acest manual. Păstrați cu grijă manualul de utilizare; pe viitor vă poate folosi. Acest aparat a fost proiectat în trei variante: aspirantă (cu evacuarea aerului la exterior, vezi Fig.1B), filtrantă (recirculația aerului în interior, vezi Fig.1A) sau cu un motor extern (vezi Fig.1C).

## INSTRUCȚIUNI DE SIGURANȚĂ

1. Dacă dispuneți de o centrală termică sau de o altă sursă de încălzire care folosește, pentru combustie, aerul din încăpere, aveți grijă să nu funcționeze împreună cu hota, deoarece aceasta absoarbe aerul. Presiunea negativă din încăpere nu trebuie să depășească 4 pascali (4 x 10-5 bari). Pentru a garanta o funcționare corectă, asigurați-vă că ventilația din încăpere este adecvată. În ceea ce privește evacuarea aerului în mediul înconjurător, respectați normele naționale în vigoare.

### Înainte de conectarea modelului la rețeaua electrică:

- controlați plăcuța cu instrucțiunile (pusă în interiorul aparatului) pentru a vă asigura că tensiunea și energia să fie corespunzătoare acelei de la rețea și priza să fie potrivită. Dacă aveți nelămuriri întrebați pe un electricist calificat.

- În cazul în care cablul este deteriorat, acesta trebuie să fie înlocuit cu un cablu (sau cu un ansamblu) special; pentru aceasta, apălați la fabricant sau la serviciul de asistență tehnică.


## 2. ATENȚIE!

**În anumite circumstanțe aparatele electrocasnice pot fi periculoase.**

- A) Nu verificați filtrele când hota este în funcțiune.**
- B) Nu atingeți becurile si zonele adiacente, în timp si imediat dupa folosirea îndelungata al instalatiei de iluminatie**
- C) Nu atingeți nici un bec după folosirea îndelungată a acesteia.**
- D) Nu frigeți alimentele direct pe flacără, dacă hota este în funcțiune.**
- E) Nu lăsați aragazul aprins: flacăra poate deteriora filtrele și poate provoca un incendiu.**
- F) Dacă prăjiți în ulei, nu vă îndepărtați de aragaz: uleiul poate lua foc.**
- G) Aparatul nu a fost fabricat pentru a fi utilizat de copii sau persoane handicapate, fără supraveghere**
- H) Evitați folosirea aparatului de către copii; nu este o jucărie!**
- I) Înainte de a executa operațiile de întreținere, scoateți hota din priză.**

Acest aparat este contrasemnat în conformitate cu Directiva Europeană 2002/96/EC, referitoare la "Waste Electrical and Electronic Equipment (WEEE)". Asigurându-vă că acest produs este scos din uz în mod corect, dv ca utilizator contribuți la prevenirea puteridelor

consecințe negative asupra mediului înconjurător și asupra sănătății.

Simbolul  aplicat pe produs sau pe documentația de însoțire a acestuia vă arată că aparatul trebuie să fie tratat separat de deșeurile casnice; în acest scop el va trebui să fie încredințat unui centru de colectare adecvat, destinat reciclării aparatelor electrice și electronice.

Scoaterea din uz a acestor produse este deci supusă normelor locale în materie de tratare a deșeurilor. Pentru informații ulterioare cu privire la tratarea, recuperarea sau reciclarea acestui produs, apălați la biroul local competent, la serviciul de colectare a deșeurilor casnice sau la magazinul de unde ați achiziționat aparatul.

## INSTRUCȚIUNI DE MONTAJ

**Toate operațiile de montaj și conectare electrică trebuie să fie efectuate de personal specializat.**

### • Conexiunea electrică

Hota intră în clasa de construcție II; de aceea, nu este necesar să o conectați la împământare.

Conectarea la rețeaua electrică trebuie să respecte următoarele indicații:

MARO = L fază

BLEUMARIN = N neutru

Este necesar să dispuneți de o priză separată, la normă, pentru a putea suporta sarcina indicată pe eticheta cu caracteristici. Dacă ați prevăzut o astfel de priză, aveți grijă să fie amplasată într-o zonă ușor accesibilă și după montare.

Dacă veți efectua conectarea direct la rețea (dacă nu dispuneți de o priză separată) este necesar să echipați cablul cu un întrerupător multipolar cu deschidere contactelor de 3 milimetri, capabil să suporte sarcina electrică indicată, realizat conform normelor în vigoare.

• Distanța minimă dintre suprafața de susținere a recipientelor pe aparat (grătarul aragazului) și partea inferioară a hotei trebuie să fie de cel puțin **45 cm**, dacă aragazul funcționează cu sistem de încălzire electrică, pe gaz sau cu inducție.

Dacă veți folosi un tub de evacuare compus din două segmente, segmentul superior trebuie să fie în exteriorul segmentului inferior.

Nu conectați tubul de evacuare a aburilor la o conductă de aer cald sau care servește și la evacuarea aburilor care provin de la alte instalații de încălzire, mai ales dacă alimentarea acestora nu este electrică.

• În caz că aparatul este montat în versiune aspirantă predispuși gaura de evacuare al aerului.

• Se recomandă utilizarea unui tub de evacuare a aerului cu diametrul de **150**. Utilizarea unei reduții poate diminua performanțele aparatului și mări nivelul de zgomot.

• Înainte de a începe operațiile de montaj, îndepărtați filtrul

degresant **B** (vezi Fig. 6), pentru a mânuși mai ușor hota. Înainte de această operațiune, procedați după indicațiile de mai jos, în funcție de modelul pe care îl aveți:

#### MODELUL 1

Îndepărtați cele 3 panouri **A** după ilustrațiile din fig. 4. Trageți de mânerul **B** după ilustrațiile din figura 6.

#### MODELUL 2

Deschideți panoul **C** după indicațiile din fig. 5.

Trageți de mânerul **B** după indicațiile din figura 6.

Dacă aparatul a fost furnizat cu cupolă, îndepărtați-o extrăgând cele 4 șuruburi **B**, așa cum este ilustrat în figura 9 A.

#### • FIXAREA LA PERETE

Trasați o linie sub hota poziționată pe zid - a se vedea fig. 2A (țineți cont de distanța minimă față de blatul aragazului – fig. 2B).

- Poziționați mai întâi șablonul de fixare pe perete, fiind atenți ca linia acestuia să coincidă cu linia trasată pe perete (a se citi paragraful anterior).

- Semați poziția găurilor și executați-le (fig. 3).

- Fixați cele 2 șuruburi superioare **K** fără a le strânge definitiv și introduceți diblurile cu expandare (fig. 3).

- Poziționați aparatul pe perete, aliniați-l perfect pe orizontală și strângeți șuruburile **K** (fig. 7).

- După reglare, fixați hota definitiv, cu ajutorul celor 2 șuruburi **C** (vezi Fig.8).

- În funcție de tipul peretelui (de ex. beton armat, ghips carton) folosiți șuruburile sau diblurile adecvate.

- Dacă hota a fost livrată cu șuruburile sau diblurile respective, controlați dacă acestea se potrivesc, într-adevăr, cu tipul de perete pe care o veți monta.

#### • INSTALAREA MODELELOR FĂRĂ COȘ DECORATIV VERSIUNEA CU ASPIRAȚIE

- Îndepărtați cele 4 șuruburi **B** după indicații (fig. 9A).

- Îndepărtați și grătarul **E** de deasupra orificiului de eliminare a aerului, și cupola **M**, așa cum este ilustrat (fig. 9B).

- Legați hota la tubul flexibil (nu este furnizat) iar pe acesta racordați-l la gaura de evacuare a aerului, executată în prealabil (fig. 9 C).

- Fixați din nou cupola cu cele 4 șuruburi pe care le-ați îndepărtat anterior (fig. 9A).

#### • OPȚIUNE

Acest model de hotă poate avea ca piese opționale și coșuri de fum decorative; pentru aceasta, adresați-vă vânzătorului.

Înainte de a instala coșurile de fum decorative, este necesar să îndepărtați din nou cele 4 șuruburi **B** și cupola **M**, după indicații (fig. 10 A-B).

De asemenea, avem la dispoziția dvs un set de amortizare a sunetului (de comandat, ca **OPȚIONAL**), pentru a mări silențiozitatea hotei. Acest set de amortizare a sunetului trebuie să fie aplicat pe spatele panoului decorativ. Pentru montaj, urmați instrucțiunile furnizate împreună cu setul respectiv.

#### • INSTALAREA MODELELOR CU COȘ DECORATIV

Introduceți cablurile electrice în interiorul coloanei

decorative. Reglați lățimea bridei de suport din partea superioară a coloanei (Fig.11 C). Fixați coloana pe tavan având grijă să fie centrată pe aragaz folosind pentru aceasta șuruburile **A** (Fig. 11 C) și respectați distanța față de tavan indicată (Fig. 11 B). Racordați, cu ajutorul unui tub flexibil **L**, flanșa **C** la gaura de evacuare a aerului (Fig. 11 D).

Introduceți segmentul superior al coloanei în segmentul interior al acesteia. Fixați partea inferioară a coșului pe hotă, cu ajutorul șuruburilor **B** din dotare (Fig. 11 E).

Trageți de partea superioară a coșului până la brida și fixați cu șuruburile **F** (Fig. 11 C).

#### • VARIANTA FILTRANTĂ

##### Atenție!

Filtrul cu cărbune activ trebuie să fie comandat vânzătorului, deoarece este un accesoriu.

Pentru a transforma hota din varianta ASPIRANTĂ în varianta FILTRANTĂ, dispunem - în baza modelului pe care îl dețineți - de 2 tipuri diferite de seturi, unul cu filtre dreptunghiulare (fig. 10), iar celălalt cu filtre rotunde (fig. 15).

1-Dacă în ambalaj găsiți o bridă ca cea din fig. 14, atunci va trebui - pentru a o fixa pe hotă - să folosiți cele 6 șuruburi din dotare.

Pentru a înlocui filtrele cu cărbune activ, este necesar să trageți spre exterior maneta **B** așa cum este indicat (fig. 10).

2- Dacă în ambalaj nu găsiți nicio bridă, deoarece ptr. modelul dvs nu a fost prevăzută, înseamnă că filtrul cu cărbune activ este rotund (fig. 15).

Filtrele trebuie să fie aplicate pe grupul de aspirație din interiorul hotei și centrate; rotindu-le la 90 de grade, trebuie să se audă un zgomot /scat de oprire (Fig.15).

#### UTILIZARE ȘI ÎNTREȚINERE

Porniți aparatul înainte de a începe coacerea alimentelor. Lăsați aparatul în funcțiune 15 minute după stingerea aragazului, pentru a elimina complet mirosul de mâncare.

Funcționarea corectă a hotei depinde de întreținerea ei în mod periodic, conform indicațiilor; o atenție mărită trebuie acordată filtrului degresant și filtrului de carbon activ.

Filtrul degresant reține suspensiile de grăsime din aer și de aceea se poate deseori obtura, la intervale diferite de timp, în funcție de folosirea aparatului.

Filtrul acrilic de pe grătar trebuie înlocuit când indicațiile (vizibile prin grătar) își schimbă culoarea și cerneala se întinde. Filtrul nou trebuie aplicat în așa fel încât, privind din exterior, indicațiile să fie din nou vizibile prin grătar.

Dacă filtrele acrilice nu au nici o indicație scrisă sau dacă folosiți filtre din metal sau din panouri de aluminiu, se recomandă spălarea filtrelor la maxim două luni, pentru a evita astfel riscul de incendii:

- îndepărtați filtrul de pe grătar și spălați-l cu apă și detergent lichid neutru până când înlăturați mizeria acumulată.

- Clătiți din abundență cu apă caldută și lăsați-l să se usuce.

Filtrele metalice sau panourile din aluminiu pot fi spălate și cu mașina de spălat vase. După câteva spălări, este normal ca ele să-și schimbe culoarea. Acest lucru nu vă dă îndreptățeste să înaintați reclamații sau să solicitați



înlocuirea lor.

Dacă nu respectați exact instrucțiunile de înlocuire sau curățire, există riscul ca filtrele degresante să ia foc.

Filtrele din cărbune activ purifică aerul repus în circulație.

Filtrele din carbon activ nu pot fi spălate sau recondiționate; se recomandă înlocuirea lor la maxim patru luni. Gradul de saturare a filtrului depinde de timpul de folosire a hotei, de tipul de bucătărie și de frecvența operațiilor de spălare a filtrului degresant.

Curățați periodic ventilatoarele și, în general, hota; folosiți o cârpă îmbibată în alcool denaturat sau într-un detergent lichid neutru neabraziv.

Instalația de lumină este proiectată numai pentru folosirea ei în timpul gătitului și nu pentru a asigura iluminarea generală a încăperii. Folosirea îndelungată a luminii hotei reduce mult durata de viață a becurilor.

#### Atenție!

**Dacă modelul dvs este prevăzut cu panouri laterale (A), pentru a le curăța minuțios este posibil să le detașați, extrăgându-le în direcția arătată în fig. 12.**

#### • Înlocuirea becurilor cu halogen (Fig.13).

Pentru a înlocui becurile cu halogen B îndepărtați geamul din sticlă C apăsând clamele din fisurile corespunzătoare.

Înlocuiți becurile arse cu altele noi, de același tip.

Atenție: nu atingeți becul cu mâna.

#### COMENZI (Fig.17):

**Butonul A** = aprinde/stinge lumina

**Butonul B** = pornește/oprește hota. Micșorează viteza motorului. Punerea în funcțiune a hotei se realizează la viteza 1. Dacă hota este în funcțiune, apăsați butonul timp de 2 secunde pentru a o opri. Dacă hota este în viteza 1, nu este necesar să o opriți.

**Display C** = indică viteza selectată și activează temporizatorul.

**Butonul D** = pornește hota. Mărește viteza motorului. Prin apăsarea butonului corespunzător vitezei a 3a, se intensifică funcționarea timp de 10', după care hota se întoarce la viteza inițială. În acest interval de timp display-ul emite o lumină intermitentă.

**Butonul E** = Timer-ul cronometrează durata funcțiilor, din momentul activării lor, timp de 15 minute; apoi, acestea sunt dezactivate. Timer-ul se dezactivează apăsând din nou butonul E. Când funcția Timer este activă, zecimalele de pe display emit un semnal intermitent. Dacă funcția Viteza Intensivă este activată, Timer-ul nu poate fi pus în funcțiune.

Apăsând butonul E timp de 2 secunde, când aparatul este oprit, se activează funcția "clean air". Aceasta pune în funcțiune motorul 10 minute pe ora, la viteza întâi. În timpul funcționării, pe ecran apare o mișcare rotativă, a segmentelor periferice. La expirarea timpului, motorul se oprește iar pe ecran apare litera C, cu un semnal luminos stabil, care rămâne în acest fel 50 de minute; apoi, motorul se repune în funcțiune alte 10 minute, s.a.m.d.

#### • Saturarea filtrului de degresare/carbon activ:

- Când ecranul C este intermitent și viteza de funcționare se alternează cu litera F (de ex.1 și F) este necesar să spălați filtrele degresante.

- Când ecranul C este intermitent și viteza de funcționare se alternează cu litera A (de ex.1 și A) este necesar să înlocuiți filtrele de carbon activ.

După montarea unui filtru curat, este necesar să resetați memoria electronică apăsând tasta A timp de 5 sec., până când ledurile F sau A de pe ecranul C încetează să fie intermitente.

**COMENZI:** (Fig.16) **LUMINOASE** simbolurile sunt explicate mai jos:

**A**= buton LUMINĂ

**B**= buton de oprire OFF

**C**= buton VITEZA ÎNTĂI

**D**= buton VITEZA A DOUA

**E**= buton VITEZA A TREIA

**F**= buton TEMPORIZATOR OPRIRE AUTOMATĂ 15 minute (\*)

Dacă aparatul dumneavoastră este prevăzut de funcțiunea vitezei **INTENSIVE**, țineți apăsat timp de 2 secunde butonul E și aceasta va fi pusă în funcțiune pe timp de 10 minute după care se va întoarce la viteza stabilită precedent. Când funcțiunea este activă ledul semnalează. Pentru a o întrerupe înainte de 10 minute apăsați di nou pe butonul E

Apăsând butonul F timp de 2 secunde (cu hota închisă) se va pune în funcțiune "clean air". Acest procediment va pune în funcțiune motorul timp de 10 minute la fiecare ora în prima viteză.

Cum s-a pus în funcțiune, motorul va începe cu 1<sup>o</sup> viteză timp de 10 minute în timpul careia trebuie să semnaleze simultan butoanele F și C. După ce a trecut acest timp motorul se oprește și ledul butonului F rămâne fix aprins, iar după 50 de minute motorul pornește din nou la prima viteză și ledul F și C încep să semnalizeze pe timp de 10 minute, și așa mai departe. Apăsând oricare buton în afara de cel de lumină, hota va începe imediat să funcționeze normal (de ex. dacă apăsați butonul D se dezactivează funcțiunea "clear air" și motorul va merge imediat la a 2<sup>o</sup> viteză; apăsând butonul B funcțiunea se va dezactiva)

(\*) Funcția „TEMPORIZATOR OPRIRE AUTOMATĂ” întârzie oprirea hotei, care va continua să funcționeze timp de 15', la viteza pe care o avea în momentul activării acestei funcții.

#### • Saturarea filtrului de degresare/carbon activ:

- Când tasta A emite un semnal intermitent, la un interval de 2 secunde, filtrele de degresare trebuie spălate.

- Când tasta A emite un semnal intermitent, la un interval de 0,5 secunde, filtrele de carbon activ trebuie să fie înlocuite.

După ce ați montat filtrul curat este necesar să ștergeți memoria electronică apăsând tasta A timp de 5 secunde, până când tasta se stinge.

**PRODUCĂTORUL ÎȘI DECLINĂ ORICE RESPONSABILITATE PENTRU DAUNELE PROVOCATE PRIN NERESPECTAREA INSTRUCȚIUNILOR DE MAI SUS**

## ОБЩИЕ СВИДЕНИЯ

Внимательно прочитайте содержание данной инструкции, поскольку содержит важные указания, относящиеся к безопасности установки, эксплуатации и техобслуживания. Сохраните инструкцию для любой дальнейшей консультации. Устройство разработано в следующих вариантах исполнения: вытяжное устройство (удаление воздуха из помещения - рис.1B), фильтрующее устройство (рециркуляция воздуха внутри помещения - рис.1A) или вариант с применением наружного электродвигателя (рис.1C).

## МЕРЫ ПРЕДОСТОРОЖОСТИ

1. Быть внимательным, если одновременно работает вытяжка и горелка или очаг, нуждающиеся в окружающем воздухе и запитывающиеся иной энергией, кроме электрической. В таком случае вытяжка удаляет из помещения воздух, нужный для процесса сгорания в горелке или очаге.

Отрицательное давление в помещении не должно превышать 4Pa ( $4 \times 10^{-6}$  bar). Для надежной и безопасной работы следует обеспечить вентиляцию помещения. Для наружных выбросов соблюдать правила, действующие в Вашей стране.

**Прежде чем подключить прибор к электрической сети:**

- убедиться в соответствии напряжения и мощности прибора, данные о которых помещены на заводской паспортной табличке, сетевым показателям, а также соответствие электросоединителя (розетки). В случае несоответствия розетки обратиться к квалифицированному электрику.

- Если провод электропитания поврежден, замените его или весь специальный узел у производителя или в уполномоченном центре технического обслуживания.

## 2. ВНИМАНИЕ!

**A. не пытайтесь проверить фильтры на работающей вытяжке**

**B. Не дотрагиваться до лампочек и прилегающих к ним поверхностей во время и после длительной эксплуатации осветительного прибора.**

**C. не трогайте лампочки после продолжительной работы прибора**

**D. запрещается готовить пищу на огне под вытяжкой**

**E. избегайте открытого пламени, оно вредно для фильтров и создает опасность пожара**

**F. держите под постоянным контролем жарящуюся пищу, так как перегретое масло может воспламениться**


**G. Изделие не рассчитано на эксплуатацию детьми или недееспособными лицами без присмотра.**

**H. Не разрешайте детям играть с изделием.**

**I. перед любым видом техухода отключить вытяжку от электросети**

Данное изделие имеет маркировку соответствия Европейскому Нормативу 2002/96/EC, Утилизация электрических и электронных изделий (WEEE). Проверьте, чтобы по окончании его срока службы данное изделие было сдано в утиль. Этим Вы поможете

сохранить окружающую среду.

Символ  на изделии или в прилагающейся к нему документации означает, что данное изделие не должно рассматриваться как бытовые отходы, а должно быть сдано в специальный центр утилизации, занимающийся уничтожением электрических и электронных приборов. Изделие должно быть сдано в утиль в соответствии с местными нормативами по утилизации отходов. За дополнительными сведениями касательно обработки, утилизации и уничтожения данного изделия обращайтесь в местное отделение сбора домашних бытовых приборов или в магазин, в котором было куплено изделие.

## ИНСТРУКЦИИ ПО УСТАНОВКЕ

**• Прибор имеет класс II, поэтому к заземлению не надо подсоединять никакой провод, подсоединение**

**к электросети выполняется следующим образом:**

коричневый-L-линия  
синий-N-нейтральный

Если на кабеле нет штепселя, установить штепсель, рассчитанный на работу с нагрузкой, указанной на табличке характеристик. Если вытяжка оснащена штепселем, она устанавливается, при условии, что штепсель будет доступным. В случае прямого подсоединения к электросети нужно разместить между прибором и сетью многополюсный выключатель с зазором контактов минимум 3 мм, рассчитанный на нужную нагрузку и отвечающий действующим нормам.

• Минимальное расстояние между поверхностью варочной панели, на которую устанавливаются кастрюли, и самой нижней частью кухонной вытяжки должно быть не менее **45 см**, если варочная панель является газовой, и не менее 45 см, если варочная панель является электрической, газовой или индукционной.

Если применяется соединительная труба из двух и более частей, то верхняя часть должна располагаться снаружи нижней части. Не соединять вынос из вытяжки с каналом циркуляции горячего воздуха или с каналом, используемым для отвода дыма от устройств, запитываемых иной энергией кроме электрической.

- В том случае, если прибор монтируется с вытяжным устройством, рекомендуется обеспечить помещение выводным отверстием.

• Рекомендуется использовать трубу дымохода диаметром 150. Использование суженной трубы может сократить КПД вытяжки и увеличить ее шумовой уровень

• Для более легкого монтажа кухонной вытяжки перед началом этой операции снимите фильтр-жироуловитель В (Рис. 6).

Перед началом монтажа выполните следующие операции в зависимости от модели вашей кухонной вытяжки:

## МОДЕЛЬ 1

Снимите 3 панели **A**, как показано на рис. 4.

Потяните за ручку **B**, как показано на рис. 6.

## МОДЕЛЬ 2

Откройте панель **C**, как как показано на рис. 5.

Потяните за ручку **B**, как показано на рис. 6.

Если вытяжка оснащена куполом, снимите его, отвинтив 4 шурупа **B**, как показано на **рисунке 9 A**.

## • НАСТЕННЫЙ МОНТАЖ

Отметьте на стене нижний край кухонной вытяжки рис. **2A** (с учетом минимального расстояния от варочной панели рис. **2B**).

- Приложите крепежное лекало к стене, обращая внимание, чтобы линия совпала с линией, отмеченной ранее.

- Отметьте и просверлите крепежные отверстия (рис. 3).

- Вставьте 2 верхних шурупа **K**, не завинчивая их до упора, и расширительные вкладыши (рис. 3).

- Навесьте вытяжку на стену, выравнивая ее в горизонтальном положении, и завинтите шурупы **K** (рис. 7).

- По завершении выравнивания окончательно закрепите вытяжку при помощи 2 шурупов **C** (рис. 8).

- Для разных типов монтажа используйте шурупы и расширительные вкладыши, пригодные для Вашей стены (например, для железобетона, для гипскартона и т.д.).

- Если шурупы и вкладыши прилагаются к изделию, проверьте, чтобы они были рассчитаны на тип стены, на которую навешивается кухонная вытяжка.

## • МОНТАЖ МОДЕЛЕЙ БЕЗ ДЕКОРАТИВНОГО КАМИНА

### ВЫТЯЖКА С ДЫМОУДАЛЕНИЕМ В АТМОСФЕРУ

Отвинтите 4 шурупа **B**, как показано на (рис. 9 A).

- Снимите решетку **E**, расположенную над отверстием выхода воздуха, и купол **M**, как показано на (рис. 9 B).

- Соедините вытяжку с гибкой трубой (не входит в комплект вытяжки), которая в свою очередь соединяется с отверстием дымоудаления, подготовленным заранее (рис. 9 C).

- вновь прикрепите купол при помощи 4 шурупов, снятых ранее (рис. 9 A).

## • ДОПОЛНИТЕЛЬНЫЕ ДЕТАЛИ

Данная модель кухонной вытяжки в качестве дополнительной детали может быть оснащена декоративным камином, который Вы можете заказать в магазине.

Перед монтажом декоративного камина необходимо снять 4 шурупа **B** и купол **M**, как показано на (рис. 10 A - B).

Кроме того в продаже имеется шумопоглощающий комплект (который можно заказать в качестве **дополнительной детали**), дополнительно понижающий шумовой уровень работы кухонной вытяжки. Это шумопоглощающее покрытие крепится с задней стороны декоративной панели. При монтаже смотрите инструкции, прилагающиеся к этому комплекту.

## • МОНТАЖ МОДЕЛЕЙ С ДЕКОРАТИВНЫМ КАМИНОМ

Подготовьте электрический провод в рамках периметра декоративного камина.

Отмерьте длину крепежной скобы верхнего отрезка камина (Рис. 11 C). Затем прикрепите скобу к потолку таким образом, чтобы она была на одной оси с вашей кухонной вытяжкой, при помощи шурупов **A** (Рис. 11 C) и соблюдая расстояние от потолка, указанное на (Рис. 11 B). При помощи гибкой трубы **L** соедините фланец **C** с отверстием дымоудаления (Рис. 11 D).

Проденьте верхний отрезок камина в нижний отрезок. Прикрепите нижний отрезок камина к кухонной вытяжке при помощи прилагающихся шурупов **B** (Рис. 11 E).

Снимите верхний отрезок камина вплоть до скобы и закрепите его при помощи шурупов **F** (Рис. 11 C).

## • ФИЛЬТРУЮЩАЯ МОДЕЛЬ

### Внимание!

Угольные фильтры можно заказать в магазине в качестве дополнительной детали.

Для переоснащения **ОТВОДНОЙ** кухонной вытяжки и превращения ее в **ФИЛЬТРУЮЩУЮ** в зависимости от модели существуют 2 разных комплекта, один с прямоугольными фильтрами (схема 10), другой с круглыми (схема 15).

1 – Если в комплект вытяжки входит скоба, показанная на схеме 14, необходимо прикрепить ее к вытяжке **6** прилагающимися шурупами.

Для замены фильтров с активированным углем потяните наружу рычаг **B**, как показано на (схеме 10).

2 – Если Ваше изделие не укомплектовано скобой, это значит, что угольный фильтр круглый (схема 15).

Установите угольные фильтры в центр узла вытяжки и поверните их на 90° вплоть до щелчка (схема 15).

## ЭКСПЛУАТАЦИЯ И ТЕХХОД

• Рекомендуется включать кухонную вытяжку перед началом приготовления какого-либо блюда. По завершении приготовления рекомендуется оставить вытяжку включенной в течение 15 минут для полного удаления испарений и чада.

Исправная работа вытяжки зависит от правильного и регулярного техобслуживания, в особенности от ухода за фильтрами-жироуловителями и за угольными фильтрами.

• Фильтры-жироуловители задерживают жирные частицы в воздухе, поэтому частота их засорения зависит от регулярности использования вытяжки.

Необходимо заменять акриловый фильтр, расположенный на решетке, когда надписи, которые видно через отверстия решетки, изменят цвет и станут размытыми. Новый фильтр устанавливается так, чтобы надписи были видны через решетку снаружи вытяжки.

Если на акриловом фильтре отсутствуют надписи или если фильтр состоит из металлической проволоки или алюминиевой панели, во избежание возгорания не чаще 2 месяцев необходимо мыть фильтры-жироуловители следующим образом:

- снимите фильтр с решетки и промойте его в растворе с нейтральным моющим средством до размягчения жирного налета.

- Промойте фильтр обычным количеством теплой воды и просушите.

Металлические фильтры и/или алюминиевые панели можно также мыть в посудомоечной машине. После нескольких моек цвет алюминиевых фильтров или панелей может измениться. Это не дает покупателю права требовать замены фильтра.

В случае несоблюдения инструкций по замене и чистке фильтров может возникнуть опасность возгорания фильтров-жироуловителей.

- Угольные фильтры служат для очистки воздуха, который затем возвращается в помещение. Угольные фильтры не моются и не регенерируются, а заменяются не реже 4-месячной эксплуатации вытяжки. Сатурация активированного угля зависит от продолжительности эксплуатации вытяжки, площади кухни и регулярности чистки фильтров-жироуловителей.

- Регулярно вытирайте налеты на вентилятор и на остальные поверхности при помощи влажной тряпки, смоченной в денатурате или в нейтральном неабразивном моющем средстве.

- Лампы вытяжки служат для освещения варочной панели во время приготовления и не рассчитаны на длительное включение для обычного освещения помещения. Продолжительное использование ламп вытяжек значительно сокращает их средний срок службы.

#### **Внимание!**

Если модель Вашего изделия имеет боковые панели (А), для тщательной чистки Вы можете снять эти панели, сдвинув их по направлению, указанному на схеме 12.

#### **Замена галогенных ламп (Схема 13).**

Для замены галогенных ламп В снимите стеклянную крышку С, поддев ее отверткой в специальных пазах.

Замените лампы на лампы такого же типа.

**Внимание:** не прикасайтесь к лампам голыми руками.

#### **Органы управления: (Рис.17)**

**Клавиша А** = включает/выключает подсветку

**Клавиша В** = включение/выключение вытяжки. Вытяжка включается на 1-ой скорости. Если вытяжка включена, нажмите кнопку на 2 секунды, чтобы выключить ее. Если вытяжка работает на 1-ой скорости, не нужно держать кнопку нажатой для ее выключения. Скорость двигателя сокращается.

**Дисплей С** = показывает скорость мотора, которая была набрана, и включение таймера.

**Клавиша D** = включает вытяжку. Увеличивает скорость мотора. Нажатие клавиши 3-й скорости вызывает активацию функции интенсивного режима на 10 мин, по истечении которых восстанавливается скорость работы, активный в момент включения данной функции. На период действия интенсивного режима имеет место мигание индикатора.

**Клавиша E** = Таймер на 15 минут запоминает функции в момент включения после отключения этих функций. Таймер отключается повторным нажатием кнопки E. Когда функция Таймер включена, на дисплее должно мигать десятичное значение. Если работает интенсивная скорость, включить функцию Таймер нельзя.

Нажав кнопку E на 2 секунды при выключенной вытяжке, включается функция «**чистый воздух**», Эта функция включает двигатель на 1-ой скорости на 10 минут каждый час. В процессе функционирования на дисплее показываются вращающиеся боковые сегменты. По истечении этого времени двигатель выключается, и на дисплее появляется буква «С» до следующего запуска двигателя на 10 минут по прошествии 50 минут.

#### **• Засорение фильтров-жироуловителей / фильтра с активированным углем:**

- Когда на дисплее С попеременно мигают значение рабочей скорости и буква F (наприм., 1 и F) необходимо вымыть фильтры-жироуловители.

- Когда на дисплее С попеременно мигают значение рабочей скорости и буква F (наприм., 1 и A) необходимо заменить фильтры с активированным углем.

После установки фильтра на место после чистки необходимо обнулить электронную память, нажав кнопку А примерно на 5 сек. вплоть до прекращения мигания буквы F или А на дисплее С.

#### **Органы управления: (рис.16) Светящиеся**

**A** = кнопка освещения

**B** = кнопка нулевой

**C** = кнопка первой скорости

**D** = кнопка второй скорости

**E** = кнопка третьей скорости

**F** = кнопка таймера автоматической остановки через 15 мин (\*)

В том случае, если ваш прибор снабжен функцией **ПОВЫШЕННОЙ** скорости, ее можно активизировать. Для этого держать в нажатом положении в течение 2-х секунд клавишу E. Функция включается на 10 мин, после чего возвращается к ранее установленной скорости.

Мигающая лампочка указывает на то, что функция включена.

Для отключения функции раньше 10- минутного срока повторно нажать клавишу E.

Нажатом положении в течение 2 –х секунд клавишу F. Для включения функции “**clean air**” нажать и держать в таком положении клавишу F. Эта функция ежедневно включает двигатель на первой скорости на 10 минут, в течение которых должны мигать одновременно указатели клавиш F и C. После чего двигатель выключается, а указатель на клавише F остается зажженным. Приблизительно через 50 минут опять включается двигатель на первой скорости, и указатели F и C начинают мигать в течение 10 минут и т.д. Нажатием любой клавиши, за исключением клавиши включения освещения, дымосос возвращается в свое нормальное рабочее состояние (напр., если нажать клавишу D- отключается функция “**clean air**” и двигатель сразу же включается на 2<sup>ю</sup> скорости; нажав клавишу B функция отключается).

(\*) Функция “таймер автоматической остановки” задерживает отключение вытяжки, которая продолжает работу на скорости, выбранной при включении этой функции через 15 минут.

#### **• Засорение фильтров-жироуловителей / фильтра с активированным углем:**

- Когда мигает кнопка А с частотой 2 сек., необходимо вымыть фильтры-жироуловители.

- Когда мигает кнопка А с частотой 0,5 сек., необходимо заменить фильтры с активированным углем.

После установки на место чистого фильтра необходимо обнулить электронную память, нажав кнопку А примерно на 5 сек. вплоть до прекращения мигания.

**ФИРМА НЕ НЕСЕТ НИКАКОЙ ОТВЕТСТВЕННОСТИ ЗА УЩЕРБ, ВЫЗВАННЫЙ НЕСОБЛЮДЕНИЕМ ВЫШЕПРИВЕДЕННЫХ ПРЕДУПРЕЖДЕНИЙ.**

## OBSERVERA

Läs innehålllet i detta instruktionshäfte noga då det tillhandahåller viktig information vad beträffar säkerheten vid installation, användning och underhåll. Spar häftet för eventuella framtida konsultationer. Apparaten har utformats antingen som utsugningskåpa (extern luftevakuering) eller filterkåpa (intern luftrecirkulation). Apparaten är konstruerad för att användas som antingen insugande version (utsugning av luft utomhus - Fig.1B), filtrerande version (företcirculering av luft inomhus - Fig.1A) eller version med yttre motor (Fig.1C).

## SÄKERHETSFORESKRIFTER

1. Var uppmärksam om utsugningskåpan fungerar samtidigt som en brännare eller eldhård som är beroende av omgivningsluften i rummet och som drivs med annan typ av energi än elektrisk energi, eftersom utsugningskåpan suger upp luft från rummet som brännaren eller eldhärden är i behov av för sin förbränningsprocess. Undertrycket i lokalen får inte överskrida 4 Pa (4x10<sup>-5</sup> bar). För att garantera säkerheten rekommenderas därför en god ventilation av lokalen. Vad beträffar det utvändiga utsläppet skall de i det aktuella landet gällande normerna och föreskrifterna respekteras.

## Innan apparaten kopplas till elnätet:

- kontrollera typskylten (på insidan av apparaten) och försäkra dig om att spänning och effekt motsvarar elnätets och att stickkontakten passar. Rådfråga kunnig eltekniker, om du är tveksam.

- Om nätkabeln är skadad ska den bytas ut mot en ny kabel eller en specialsats som tillhandahålls av tillverkaren eller dess tekniska servicejänst.

## 2. VARNING!

**Elektriska hushållsmaskiner kan under vissa omständigheter medföra risker.**

**A) Kontrollera aldrig filtren samtidigt som kåpan är i funktion**

**B) Vidrör inte lamporna eller närliggande delar medan belysningen är tänd eller om den varit tänd länge.**

**C) Rör inte lamporna om apparaten varit i funktion under en längre tid**

**D) Det är förbjudet att grilla mat över öppen låga under kåpan**

**E) Undvik öppen låga, då sådan är skadlig för filtren och utgör brandrisk**


**F) Vid frityrkokning måste spisen övervakas kontinuerligt för att undvika att oljan överhettas och tar eld**

**G) Utrustningen är inte avsedd för att användas av barn eller oförmögna personer, utan uppsikt av en vuxen.**

**H) Kontrollera att barn inte leker med utrustningen.**

**I) Innan någon typ av underhållsarbete genomförs måste kåpan kopplas ifrån det elektriska nätet.**

Den här apparaten överensstämmer med europadirektivet 2002/96/EG, Waste Electrical and Electronic Equipment (WEEE). Genom att försäkra sig om att den här produkten eliminerar på rätt sätt, bidrar användaren till att förebygga eventuella negativa följdriker för miljö och hälsa.

Symbolen  på produkten eller på bifogad dokumentation indikerar att den här produkten inte ska behandlas som hushållsavfall utan ska överlämnas till lämplig avfallsstation för återvinning av elektriska och elektroniska apparater. Kassera enligt gällande lokala normer för avfallshantering. För ytterligare information om hantering och återvinning av produkten, kontakta det lokala kontoret, uppsamlingsstation för hushållsavfall eller affären där produkten inhandlats.

## INSTALLATIONS INSTRUKTIONER

**Åtgärder för montering och elanslutning måste utföras av kunnig personal.**

## • Elanslutning

Apparaten är av typklass II, och inga kablar skall därför jordanslutats.

Nätanslutningen skall utföras på följande sätt:

BRUN = L fas

BLÅ = N nolla

Om kabeln inte redan är försedd med en sådan skall en standard stickpropp, avsedd för den på märkplåten angivna belastningen monteras.

Om kontakt finns skall kåpan installeras så att denna kontakt är tillgänglig.

I det fall apparaten ansluts fast till nätet, skall man montera en flerfasig strömbrytare mellan apparaten och eluttaget, med ett minst 3 mm brett luftgap mellan kontaktarna, som är avsett för den aktuella belastningen och uppfyller gällande normer.

• Minimivståndet mellan spishällens stödyta för kokkärlen och den lägsta delen på spiskåpan ska vara minst **45 cm** om spishällen är av typ elektrisk uppvärmning, gas eller av induktionstyp.

I det fall ett anslutningsrör används som består av två eller flera delar, måste den övre av delarna träs utanpå den undre delen.

Anslut inte kåpan utloppsrör till luftkanaler i vilka varmluft cirkulerar, eller kanaler som används för att evakuera rök från apparater som drivs med annan typ av energi än elektrisk energi.

• Om apparaten ska monteras med utsugningversion ska hll för luftutömnings anordnas.

• Det rekommenderas att använda ett ventilationsrör med en diameter på **150**. Om ett reducerstycke används försämras utrustningens kapacitet och bullernivån ökas

• Ta bort fettfiltret **B** (fig. 6) för att underlätta manövreringen av utrustningen innan monteringen påbörjas.

Följ faserna nedan innan detta moment utförs, beroende på vilken modell du har:

#### MODELL 1

Ta bort de 3 panelerna **A**, som visas i fig. 4.

Dra i handtaget **B**, som visas i fig. 6.

#### MODELL 2

Öppna panelen **C**, som visas i fig. 5.

Dra i handtaget **B**, som visas i fig. 6.

Om utrustningen är utrustad med kupol, ska denna tas bort genom att skruva ur de **4** skruvarna **B**, som visas i **figuren 9 A**.

#### • FASTSÄTTNING PÅ VÄGGEN

Märk kåpans nedre sida på väggen fig. **2A** (ta hänsyn till minimiavståndet till spishällen fig. **2A**).

- Placera fastsättningsmallen på väggen. Se till att linjen överensstämmer med linjen som du har markerat i föregående punkt.

- Markera och borra fästhålen (fig. 3).

- Fäst expansionspluggarna och de **2** övre skruvarna **K** utan att skruva fast dem fullständigt (fig. 3).

- Placera utrustningen på väggen. Justera den i horisontall och skruva fast skruvarna **K** (fig. 7).

- När justeringen är klar ska spiskåpan fästas definitivt med de **2** skruvarna **C** (fig. 8).

- Använd expansionsskruvar och pluggar av lämplig typ för väggen vid de olika monteringsmomenten (t.ex. betong, gips o.s.v.).

- Om skruvarna och pluggarna bifogas produkten, se till att de är av lämplig typ för väggen där kåpan ska sättas upp.

#### • INSTALLATION AV MODELLER UTAN SKORSTENSKÅPAN INSUGANDE VERSION

- Ta bort de **4** skruvarna **B**, som visas i fig. **9 A**.

- Ta bort både gallret **E** som sitter ovanför hålet för utluft och kupolen **M**, som visas i fig. **9 B**.

- Anslut kåpan till det flexibla röret (medlevereras inte). Det flexibla röret ska sedan anslutas till hålet för utluft som har förberetts tidigare (fig. **9 C**).

- Fäst åter kupolen med de **4** skruvarna som har tagits bort tidigare i fig. **9 A**.

#### • TILLVAL

Denna kåpmodell kan ha skorstensåpning som tillval. Dessa kan beställas från återförsäljaren.

Innan skorstensåpning installeras ska de **4** skruvarna **B** och kupolen **M** tas bort, som visas i fig. **10 A - B**.

Dessutom tillhandahålls en ljuddämpande sats (ska beställas som **TILLVAL**) för att sänka spiskåpan bullernivå. Detta ljuddämpande skikt ska fästas på baksidan av den yttre panelen. Följ anvisningarna som följer med satsen angående monteringen.

#### • INSTALLATION AV MODELLER MED SKORSTENSKÅPAN

Placera elmatningen inuti det dekorativa kopplingsdonet. Reglera bredden för stöbygeln för det övre kopplingsdonet (Fig. **11 C**). Fäst sedan stöbygeln i taket så att den är i linje med din spiskåpa med skruvarna **A** (fig. **11 C**). Ta

hänsyn till avståndet till taket, enligt anvisningarna i fig. **11 B**. Anslut flänsen **C** till hålet för utluft (fig. **11 D**) med det flexibla röret **L**.

Stick in den övre skorstensåpning inuti den nedre skorstensåpning. Fäst den nedre skorstensåpning på spiskåpan med hjälp av de medlevererade skruvarna **B** (fig. **11 E**).

Dra ut den övre skorstensåpning upp till bygeln och fäst den med skruvarna **F** (Fig. **11 C**).

#### • FILTRERANDE VERSION

##### Observera!

Kolfiltren ska beställas som tillbehör från din återförsäljare.

För att omvandla kåpan från **INSUGANDE** version till **FILTRERANDE** finns det två olika satsar (beroende på vilken modell du har). En sats med lldfilter (fig. 10) och en med runda filter (fig. 15).

1- Om bygeln som indikeras i fig. 14 ingår i emballaget, ska denna fästas på kåpan med de 6 medlevererade skruvarna.

För att byta ut filtren med aktivt kol ska spaken **B** dras ut, som visas i fig. 10.

2- Om det ingår en bygel i din produkts emballage, innebär detta att kolfiltret är runt (fig. 15).

Filtren ska monteras på insugningsenheten som sitter inuti kåpan. Centrera filtren på insugningsenheten och vrid 90 grader tills det knäpper till (Fig. 15).

#### ANVÄNDNING OCH UNDERHÅLL

• Det rekommenderas att starta utrustningen innan någon typ av livsmedel tillagas. Vi rekommenderar att du låter apparaten gå i 15 minuter efter att matlagningen avslutats, så att matoset helt sugts ut.

Kåpan ska underhållas regelbundet och på ett korrekt sätt för att fungera på bästa sätt. Detta gäller i synnerhet avfettningsfiltret och filtret med aktivt kol.

• Avfettningsfiltret har till uppgift att stoppa fettpartiklarna som finns i luften. Detta filter sätts igen efter en viss tid, beroende på hur mycket utrustningen används.

Akrylfiltret som ligger på gallret ska bytas ut när texten som syns genom gallret ändrar färg och bläcket flyter ut. Det nya filtret ska monteras så att texten syns genom gallret från kåpan utsida.

Om akrylfiltret saknar text eller om metall- eller aluminiumpanelfilter används, ska filtren rengöras max. varannan månad för att förhindra eventuell brand. Följ anvisningarna nedan:

- Ta bort filtret från gallret och tvätta det med en mild tvålösning och vatten. Låt smutset mjukas upp.

- Skölj med rikligt med ljummet vatten och låt torka.

Metall- och/eller aluminiumpanelfilter kan dessutom tvättas i diskmaskin. En viss färgförändring kan synas på aluminium- eller aluminiumpanelfilter efter några rengöringar. Detta är inget skäl till reklamation för eventuellt byte.

Vid försummelse av anvisningarna för byte och rengöring av avfettningsfiltret finns det risk för att dessa antänds.

• Filtren med aktivt kol används för att rengöra luften som återförs i rummet. Dessa filter kan inte rengöras eller regenereras och måste bytas ut max. vart fjärde månad. Mättnaden av det aktiva kolet beror på hur länge

utrustningen används, typen av kök och hur ofta som avfettningsfiltret rengörs.

- Rengör regelbundet alla avlagringar på fläkten och andra ytor med en trasa fuktad med denaturerad sprit eller mildt flytande rengöringsmedel som inte slipar.
- Belysningen är avsedd att endast vara tänd under tillagningen och inte för att lysa upp rummet i allmänhet under en längre tid.

Om belysningen är tänd under en längre tid förkortas lampornas livslängd betydligt.

#### Observera!

**Om din modell är försedd med sidopaneler (A), kan panelerna dras bort i den riktning som indikeras i fig. 12 för en grundlig rengöring.**

#### • Byta halogenlampor (Fig. 13).

För att byta halogenlamporna B, bänd upp glaset C i springorna.

Byt ut mot lampor av samma typ.

**OBS!** Ta inte i lampan med bara händer.

#### MANÖVERFUNKTIONER: (Fig.17)

**Tangent A** = slår på/av belysningen

**Tangent B** = slår på/av klåpan. Apparaten startar med den lägsta hastigheten. Om klåpan fungerar skall tangenten tryckas in halv sekund för att slå av den. Om klåpan fungerar med den lägsta hastigheten behöver man inte hålla tangenten intryckt för att stänga av den. Minskar motorns hastighet.

**Display C** = anger den valda motorhastigheten och aktiveringen av timern.

**Tangent D** = slår på klåpan. Ökar motorns hastighet. Om tangenten för den tredje hastigheten trycks in startar den intensiva hastigheten under 10 sekunder för att sedan återgå till den arbetshastighet som var aktiv före ingreppet. Displayn blinkar under denna funktion.

**Tangent E** = 15 Timer ställer in funktionstiderna vid aktiveringen på 15 minuter, varefter de stängs av. Avaktivera timern genom att trycka på knapp **E**. När funktionen Timer är aktiv på displayen ska decimalpunkten blinka. Om hastighetens intensivläge är i funktion kan timern inte aktiveras.

Genom att trycka på knapp **E** i 2 sekunder, när apparaten är avstängd, så aktiveras funktionen "clean air".

Denna tändar motorn i 10 minuter varje timme på första hastigheten. Under funktion ska displayen visa de perifera segmentens rotation.

När denna tid gått ut släcks motorn och displayen visar den lysande bokstaven "C" tills motorn efter ytterligare 50 minuter startar igen och går i 10 minuter igen och så vidare.

#### • Orena fettfilter/aktivt kolfilter:

- När displayen **C** blinkar och visar omväxlande driftshastigheten och bokstaven **F** (t.ex. 1 och **F**) ska **fettfiltren** rengöras.

- När displayen **C** blinkar och visar omväxlande driftshastigheten och bokstaven **A** (t.ex. 1 och **A**) ska **kolfiltren** bytas ut.

När det rena filtret har satts tillbaka, ska det elektroniska minnet nollställas genom att trycka ned knappen **A** i cirka **5 sek** tills signalerna **F** eller **A** slutar att blinka på

displayen **C**.

**MANÖVERFUNKTIONER:** (Fig.16) **LYSANDE** - beskrivs symbolerna här nedan:

**A** = knapp för BELYSNING

**B** = knapp OFF

**C** = knapp FÖRSTA HASTIGHET

**D** = knapp ANDRA HASTIGHET

**E** = knapp TREDJE HASTIGHET

**F** = TIMER FÖR AUTOMATISK AVSTÄNGNING EFTER 15 minuter. (\*)

• Om er fläkt har funktionen hastighet i **INTENSIVLÄGE**, tryck på knapp **E** i ca 2 sekunder för aktivering i 10 minuter, varefter hastigheten går tillbaka till den tidigare inställningen.

När funktionen aktiveras blinkar lysdioden. För att avbryta den innan 10 minuter förflutit, trycker du på knapp **E** igen.

Tryck på knapp **F** i 2 sekunder (när fläkten är avstängd) för att sätta igång funktionen "clean air". Genom denna funktion sätts fläktmotorn igång i 10 minuter varje timme på hastighet ett.

Omedelbart efter att ha aktiverat denna funktion, sätts motorn igång på hastighet ett under 10 minuter, medan knapp **F** och knapp **C** samtidigt blinkar.

Därefter släcks motorn och lysdiod **F** förblir tänd med fast ljus ända tills motorn efter ytterligare 50 minuter startar igen på hastighet ett och lysdioderna **F** och **C** börjar blinka igen i 10 minuter osv. Genom att trycka på vilken som helst av knapparna, förutom belysningsknappen, återgår fläkten omedelbart till normal funktion (t.ex. om jag trycker på knapp **D** så sätts "clean air" ur funktion och motorn går genast på hastighet två; genom att trycka på knapp **B** sätts den ur funktion).

(\*) Funktionen "timer för automatisk avstängning" "fördröjer" avstängningen av klåpan, som fortsätter att fungera i 15 minuter med samma arbetshastighet som vid påslagningen av denna funktion.

#### • Orena fettfilter/aktivt kolfilter :

- När knappen **A** blinkar med ett intervall på **2 sek** ska **fettfiltren** rengöras.

- När knappen **A** blinkar med ett intervall på **0,5 sek** ska **kolfiltren** bytas ut.

När det rena filtret har satts tillbaka, ska det elektroniska minnet nollställas genom att trycka på knapp **A** i cirka **5 sek** tills varningslampan slutar att blinka.

**TILLVERKAREN FRÅNSÄGER SIG ALLT ANSVAR FÖR EVENTUELLA SKADOR SOM ORSAKTS P.G.A. ATT OVANSTLENDE INSTRUKTIONER INTE RESPEKTERATS**





---

---

---

---

---

---

---

---

---

---

---

---

---

---

---

---

---

---

---

---

---

---

---

---







**3LIK0388**