

## About this User's Manual

This user's manual is designed to let you easily find the information you need to get the most from your notebook.

Introduces you to the features of your notebook.

Gives you the useful details on using your notebook.

Tells you how to look after your notebook, whether at home or traveling.

Talks about Card peripherals and how to use them.

Introduces you to BIOS, the nervous system of your notebook, and how to change its fundamental settings.

There is no need to read the manual from the beginning to end. Simply find your way to the section that interests you using the table of contents, or browse through the manual.

You will come across the following icons in this manual:



Helpful pointers and tricks to get more from your notebook



To help you note and avoid possible damage to your notebook's hardware or software, or loss of your work



Points out possible damage to property, personal injury or death



Information in this document is subject to change without notice.

© Compal Electronics, Inc. 2010. All rights reserved.

Trademarks used in this document: Microsoft and Windows are registered trademarks of Microsoft Corporation.

Other trademarks and trade names may be used in this document to refer to either the entities claiming the marks and names or their products

---

<b>About this User's Manual</b> .....	<b>1</b>
<b>Safety Instructions</b> .....	<b>a</b>
<b>Specifications</b> .....	<b>i</b>
<b>Chapter 1 Introducing Your Notebook</b> .....	<b>①</b>
<b>1.1 Front Side</b> .....	<b>1-1</b>
1.1.1 Power Button (Blue).....	1-2
1.1.2 Web Camera .....	1-2
1.1.3 Num Lock (Blue).....	1-2
1.1.4 Caps Lock (Blue) .....	1-2
1.1.5 Microphone.....	1-2
1.1.6 Power USB Button (Blue) .....	1-2
1.1.7 Bluetooth/Wireless Switch LED.....	1-2
1.1.8 System Status (Blue) .....	1-2
1.1.9 Battery LED (Blue/Amber) (  ).....	1-3
1.1.10 HDD accessing state Blue LED (  ).....	1-3
<b>1.2 Right Side</b> .....	<b>1-5</b>
1.2.1 Earphone connection (Lime).....	1-5
1.2.2 Microphone connection (Pink) .....	1-5
1.2.3 Power USB Port .....	1-5
1.2.4 Optical Disc Drive .....	1-6
1.2.5 ODD Button .....	1-6
1.2.6 DC in .....	1-6
<b>1.3 Left Side</b> .....	<b>1-7</b>
1.3.1 Kensington Lock.....	1-7
1.3.2 D-SUB .....	1-7
1.3.3 RJ-45.....	1-7
1.3.4 e-SATA .....	1-8
1.3.5 HDMI Port.....	1-8
<b>1.4 Bottom Side</b> .....	<b>1-9</b>
1.4.1 Battery Pack .....	1-10
1.4.2 Battery Release Latch .....	1-10
<b>Chapter 2 Caring for Your Notebook</b> .....	<b>②</b>
<b>2.1 Caring for Your Notebook</b> .....	<b>2-1</b>
2.1.1 Cleaning Your Notebook and Keyboard .....	2-2
2.1.2 Cleaning the Display.....	2-2
2.1.3 Cleaning the Touch Pad.....	2-2
2.1.4 Cleaning the CD/DVD Drive.....	2-2
2.1.5 Precautions.....	2-3
<b>2.2 Traveling</b> .....	<b>2-4</b>
2.2.1 Identifying Your Notebook .....	2-5
2.2.2 Packing Your Notebook .....	2-5
2.2.3 Travel Tips .....	2-5
2.2.4 If Your Notebook is Lost or Stolen .....	2-6
<b>Chapter 3 Peripherals</b> .....	<b>③</b>
<b>3.1 Adding and Removing SD/MMC/MS Cards</b> .....	<b>3-1</b>
<b>3.2 Memory Modules</b> .....	<b>3-2</b>
<b>Chapter 4 The BIOS Setup Program</b> .....	<b>④</b>

<b>4.1 Introduction</b> .....	<b>4-1</b>
<b>4.2 Navigating through the BIOS Setup Program</b> .....	<b>4-2</b>
4.2.1 Accessing the BIOS Setup Program .....	4-4
4.2.2 Launching Submenus .....	4-5
4.2.3 Saving Changes and Exiting the Setup Program .....	4-5
<b>4.3 The Main Menu</b> .....	<b>4-6</b>
<b>4.4 The Security Menu</b> .....	<b>4-8</b>
<b>4.5 The Boot Menu</b> .....	<b>4-10</b>
<b>4.6 The Exit Menu</b> .....	<b>4-11</b>
<b>4.7 BIOS Embedded IDs</b> .....	<b>4-13</b>
4.7.1 System Board ID.....	4-13
4.7.2 PCI Subsystem Device ID.....	4-13



## Safety Instructions

Use the following safety guidelines to help protect yourself and your notebook.

### ***General Warnings***

- Do not operate your portable computer for an extended period of time with the base resting directly on your body. With extended operation, heat can potentially build up in the base. Allowing sustained contact with the skin could cause discomfort or, eventually, a burn.
- Excessive sound pressure from earphones or headphones can cause hearing damage or loss. Please adjustment of the volume control as well as the equalizer to settings other than the center position may increase the earphones or headphones output voltage, and therefore the sound pressure level.
- Do not attempt to service the computer yourself. Always follow installation instructions closely.
- To avoid personal injury from electric shock or fire:
  - Completely power down the computer when replacing memory modules, cleaning the computer, its components, or chassis, or performing operations requiring similar steps. To do this, first turn the power off at the power switch, remove the battery, and then disconnect the AC adapter from the electrical outlet or from any other type of external power source, such as an external battery.
  - Do not operate the computer near water, for example, near a bathtub, kitchen sink or laundry tub, in a wet basement, by a swimming pool, or in the rain.
  - Do not connect or disconnect any cables or perform maintenance or reconfiguration of this product during an electrical storm.
  - Avoid using the wired modem or LAN during an electrical storm, as a remote risk of electric shock from lightning exists.
  - Do not push objects into the air vents or openings of your notebook or accessories. Doing so can short out interior components and may cause fire or electric shock.
  - When installing memory modules, ground you by touching a grounded conductive surface, such as a device with a grounded plug. Avoid touching the pins and leads on the memory module or internal circuitry of the computer.
- When setting up the computer for work, place it on a level surface.
- Handle components with care. Hold a component such as a memory module by its edges, not its pins.

- If the battery pack leaks and the fluid enter your eyes, do not rub them. Instead, rinse your eyes with clean running water and immediately seek medical attention. Otherwise, eye injury may be resulted.
- If acid leaking from the battery pack contacts your skin or clothing, immediately wash it away with running water. Otherwise, skin inflammation may occur.
- Operate the computer at the recommended temperature range of +5°C to +35°C (+41°F to +95°F). Store it at a temperature of -20°C to +60°C (+4°F to +140°F).
- Fan may cause hazardous to your body when it is running, please keep your body parts out of the motion path.

### ***Power Cord & Adapter Warnings***

- See the installation instructions before connecting to the power supply.
- Use only the power cord indicated in this manual.
- Power cord sets for use in other countries must meet the requirements of that country. Use the appropriate AC adapter and power cord for your locale.
- If you use an extension cord with your AC adapter, ensure that the total ampere rating of the products plugged into the extension cord does not exceed the ampere rating of the extension cable.
- When using your power cord, make sure to position it around objects so it will not be cut or punctured.
- When you disconnect a cable, pull on its connector by its strain relief loop, not on the cable itself. As you pull out the connector, keep it evenly aligned to avoid bending any connector pins. Also, before you connect a cable make sure both connectors are correctly oriented and aligned.
- Be sure that nothing rests on your AC adapter's power cable and that the cable is not located where it can be tripped over or stepped on.
- Use only the AC adapters that are approved for use with this computer. Use of another type of adapter may risk fire or explosion.
- Before you connect the computer to a power source, ensure that the voltage rating of the AC adapter matches that of the available power source.
  - 115 V/60 Hz in most of North and South America and some Far Eastern countries such as South Korea and Taiwan.
  - 100 V/50 Hz in eastern Japan and 100 V/60Hz in western Japan.
  - 230 V/50 Hz in most of Europe, the Middle East, and the Far East.
- Place the AC adapter in a ventilated area, such as a desktop or on the floor, when you use it to run the computer or to charge the battery. Do not cover the AC

adapter with papers or other items that will affect its cooling; also, do not use the AC adapter while it is inside a carrying case.

- Disconnect power cords and cables by grasping the connector, not by pulling on the cable itself. As you pull out the connector, keep it evenly aligned to avoid bending any connector pins. Before you connect a cable, please make sure both connectors are correctly aligned.
- To remove power from the computer, turn it off, remove the battery, and disconnect the AC adapter from the electrical outlet.
- The socket outlet must be near to the unit and easily accessible.
- Adapter information:  
Input voltage: 100-240Vac  
Input frequency: 50-60Hz  
Rating output current: 3.42A (65W), 4.74A (90W)  
Rating output voltage: 19Vdc  
AC adapter plug is 3 pin

### ***Battery Pack Warnings***

Please keep the following items because it can be the cause of the burn, fire, and explosion:

- Inquire (advise) of the manufacturer or seller immediately when the battery is too swelled to be observed by the naked eye and because this kind of battery can be dangerous.
- Use the certified charger.
- Do not expose to inside of car in summer.
- Do not place on the quilt, electric-paper floor or carpet for long time.
- Do not keep into sealed place as powered on
- Make sure not the terminals of battery to contact with the metals such as necklace, coin, key or wrist watch.
- Use the lithium secondary battery warranted by the manufacturer of portable devices.
- Do not impact on the battery abnormally, for example, the act of dropping from on the high site.
- Do not expose into high temperature more than 60°C
- Do not carry a battery in your pocket, purse, or other container where metal objects (such as car keys) could short-circuit the battery terminals. The resulting excessive current flow can cause extremely high temperatures and may result in damage from burns.
- Danger of explosion may occur if battery is incorrectly replaced. Replace only with the same or equivalent type battery recommended by the manufacturer.

- Do not dispose of batteries in a fire. They may explode. Check with local authorities for disposal instructions.
- Do not use or leave the battery pack near a heat source. Heat can melt the insulation and damage other safety features, possibly leading it to leak acid, overheat, emit smoke, burst and/or ignite.
- Do not immerse the battery pack in water or allow it to get wet. Its protective features can be damaged. Abnormal chemical reactions may occur, possibly leading it to leak acid, overheat, emit smoke, burst and/or ignite.
- Do not crush, disassemble, puncture, or incinerate the short external contacts of a battery pack.
- Do not connect the positive (+) and negative (-) terminals with a metal object such as a wire. Short-circuiting may occur, leading the battery pack to leak acid, overheat, emit smoke, burst and/or ignite.
- Do not use an apparently deformed or damaged battery pack, which may leak acid, overheat, emit smoke, burst and/or ignite.
- If the battery pack leaks, gives off a bad odor, generates heat, becomes discolored or deformed, or in any way appears abnormal during use, recharging or storage, immediately remove it from the computer or charger and stop using it.

### ***Battery Pack Disposal***

- Dispose of the lithium ion battery packs at approved disposal sites only. To locate an appropriate site, contact the solid waste disposal officials where you live or look for a rechargeable battery recycling website that lists disposal locations near you.
- Do not dispose of battery packs in a fire, throw them in a trash receptacle, put them in a recycling bin not intended for their disposal, or otherwise discard them in a manner that may result in their being hazardous to the environment.



### ***Important Safety Instructions***

Read these instructions carefully and save them for future reference.

1. Follow all warnings and instructions given to you for this product.
2. Unplug this product from the wall outlet before cleaning. Do not use liquid cleaners or aerosol cleaners. Use a damp cloth for cleaning.
3. Do not use this product near water.
4. Do not place this product on an unstable cart, stand, or table.
5. Slots and openings on the back or bottom are provided for ventilation. To ensure reliable operation of the product and to protect it from overheating, do not block or cover these openings. Avoid placing the product on a bed, sofa, rug, or similar surface to prevent from blocking these openings. This product should never be placed near or over a radiator or a heat register, or in an enclosure unless proper ventilation is provided.
6. This product should be operated from the type of power indicated on the marking label. If you are not sure the type of power available, consult your dealer or local power company.
7. Do not allow anything to rest on the power cord. Do not locate this product where people will step on the cord.
8. If an extension cord is used with this product, make sure that the total ampere rating of the equipment plugged into the extension cord does not exceed the extension cord ampere rating. Also, make sure that the total rating of all products plugged into the wall outlet does not exceed the fuse rating.
9. Never push objects of any kind into this product through its cabinet slots as they may touch dangerous voltage points or short-out parts that could result in a fire or electric shock. Never spill any kind of liquid on the product.
10. Do not attempt to service this product by yourself. As opening or removing covers, you will be exposed to the dangerous voltages or other risks. Refer all servicing to qualified service personnel.
11. Unplug this product from the wall outlet and refer servicing to qualified service personnel under the following conditions:
  - a. When the power cord or plug is damaged or frayed.
  - b. As liquid is spilled into the product.
  - c. The product is exposed to rain or water.
  - d. If the product does not operate normally when the operating instructions are followed, adjust only those controls that are covered by the operating instructions. Improper adjustment of other controls may result in damage and will often require extensive work by a qualified technician to restore the product to normal condition.

## ***CE Notice (European Union)***

### ***EU Declaration of Conformity***

The product conforms to the following standards:

Supplementary Information: “The product complies with the requirements of the Low Voltage Directive 73/23/EEC and the EMC Directive 89/336/EEC and/or the R&TTE Directive 1999/05/EEC.”



This product is carrying the CE-Mark in accordance with the related European Directives.

## ***BSMI Notice (Taiwan Only)***

Most Compal computer products are classified by the Bureau of Standards, Meteorology and Inspection (BSMI) as Class B information technology equipment (ITE).



This (marked on the product) indicates the product complies with the BSMI standard.

### **BSMI 通告 (僅限於台灣地區)**

如果您在電腦的底部，側面或背面板上找到一個



標誌，則適用於以下部份

的相關規定：

此設備經測試證明符合BSMI(經濟部標準檢驗局)之乙類數位裝置的限定規定。這些限制的目的是為了在住宅區安裝時，能防止有害的干擾，提供合理的保護。此設備會產生，使用並散發射頻能量；如果未遵照製造廠商的指導手冊來安裝和使用，可能會干擾無線電通訊。但是，這並不保證在個別的安裝中不會產生干擾。您可以透過關閉和開啓此設備來判斷它是否會對廣播和電視收訊造成干擾；如果確實如此，我們建議您嘗試以下列一種或多種方法來排除干擾：

- 重新調整天線的接收方向或重新放置接收天線。
- 增加設備與接收器的距離。
- 將設備連接至不同的插座，使設備與接收器連接在不同的電路上。
- 請向經銷商或有經驗的無線電/電視技術人員查詢，以獲得幫助。



## Specifications

### CPU

- Intel Celeron 1.86GHz(32nm 35W)
- Intel Arrandale (2.13G/2.26G 2.66G/2.53G/2.4G 32nm 35W)
- Intel Clarksfield (1.73G/1.6G 45nm 45W) (only for BLB5)

### Chipset

- HM55

### Memory

- Arrandale support 2 SODIMMS DDR3 800MHz/1066MHz
- Clarksfield support 2 SODIMMS DDR3 800MHz/1066MHz
- 1GB/2GB/4GB modules
- Easy upgrade from bottom side for two SODIMM, Max.8GB

### Display

- 15.6" 16:9 W W/LED HD Glare 1366x768
- 15.6"W W/LED Full HD 1920\*1080
- 15.6" 16:9 W W/LED HD Anti-Glare 1366x768
- LED Backlight

### Hard Disk Drive (HDD)

- 9.5mm, 2.5" SATA HDD 250G/320G/500G(5400rpm/7200rpm )

### Optical Disc Drive (ODD)

- Fixed 12.7mm height (SATA)
- DVD Super-Multi (DVD-RAM/-R/-RW/+R/+RW), 8X write
- Support Double Layer Recording is required
- Blue-ray Combo DVD, High Definition Disc

### Audio

- HD Audio
- 2 x Speakers, Microphone-in and headphone-out
- 1 x Internal Microphone support

### Communication

- LAN: 10/100, 1000 LAN
- Wireless LAN: 802.11n, 802.11 b/g/n, 802.11 a/b/g/n via Mini-Card (option)
- Bluetooth: with USB1.1 interface (option)

### Keyboard

- 99/100 keys
- Vista key, Application key

## Specifications

---

- Standard pitch, 2.5mm travel length
- Multi-Language support

### Pointing Device

- Touchpad with up/down scroll zone and two buttons
- Support Multi Touch for Windows 7

### Flash card reader

- 3-in-1 Card Reader (SD, MMC, MS), don't support XD card

### I/O Ports

- USB 2.0 x 2 (w/ Power USB feature)
- HDMI x 1
- RGB: VGA port x 1
- Microphone-in x 1
- Headphone-out x 1
- DC-in jack
- Kensington lock x 1
- 3-in-1 Flash Card Reader (SD/MMC/MS) x 1
- Internal microphone x 1
- RJ45 x 1
- e-SATA+USB x 1

### Camera

- 1.3M Pixel CMOS Camera w/ USB2.0 interface

### System Status Indicators

- 2 K/B indicators: Caps Lock, and Num Lock
- 1 Power Button LED
- 1 LED for IDE HDD activity
- 1 LED for System status (Power On / Suspend) (Blue)
- 1 LED for Battery status (Charging / Full / L1 / L2)
- 1 LED for Blue tooth/Wireless Card
- 1 LED for Power USB (Blue)

### Control buttons

- Power button (support software off, 4 sec) x 1
- Magnetic lid switch control for system standby/wakeup
- One Switch to On/Off Wireless Device for wireless control
- Control buttons for Power USB (Workable in system off mode)

### AC Adapter

- Universal AC adapter.  
(65W with 19V DC/3 pin 240V AC cable) for BLB3

(90W with 19V DC/3 pin 240V AC cable) for BLB5

## **Battery**

- 6-cell Li-ion, 18650 type, 4400/4500/5100/5200mAh.
- Life Cycle: 70% Design Capacity after 300 Cycles in 25degreeC

## **Software**

- Insyde BIOS
- Suspend to DRAM/HDD
- Security: Power-On Password, Supervisor Password  
HDD password  
USB memory Boot support
- Support SMBIOS 2.4, PCI2.2
- Support PXE
- Wake on LAN from S3
- Wake on LAN from S4 /S5 in AC mode

## **OS**

- Windows 7 Ultimate (32bit) / (64bit)

## **Mini Card**

- One mini-card (WLAN x1) (Option)

## **Security**

- BIOS Password / Kensington lock
- Trusted Platform Module: TPM 1.2 (Option)

## **Regulatory**

- EMI: FCC-B, CE, BSMI
- Safety: Compliant to UL/CSA, CB
- Energy Star /WHQL LOGO

## **Environment**

- Temperature: Operating: 5 - 35°C / Storage: -20 - 65°C
- Humidity: 10 - 90% without condensation.

## **Thermal**

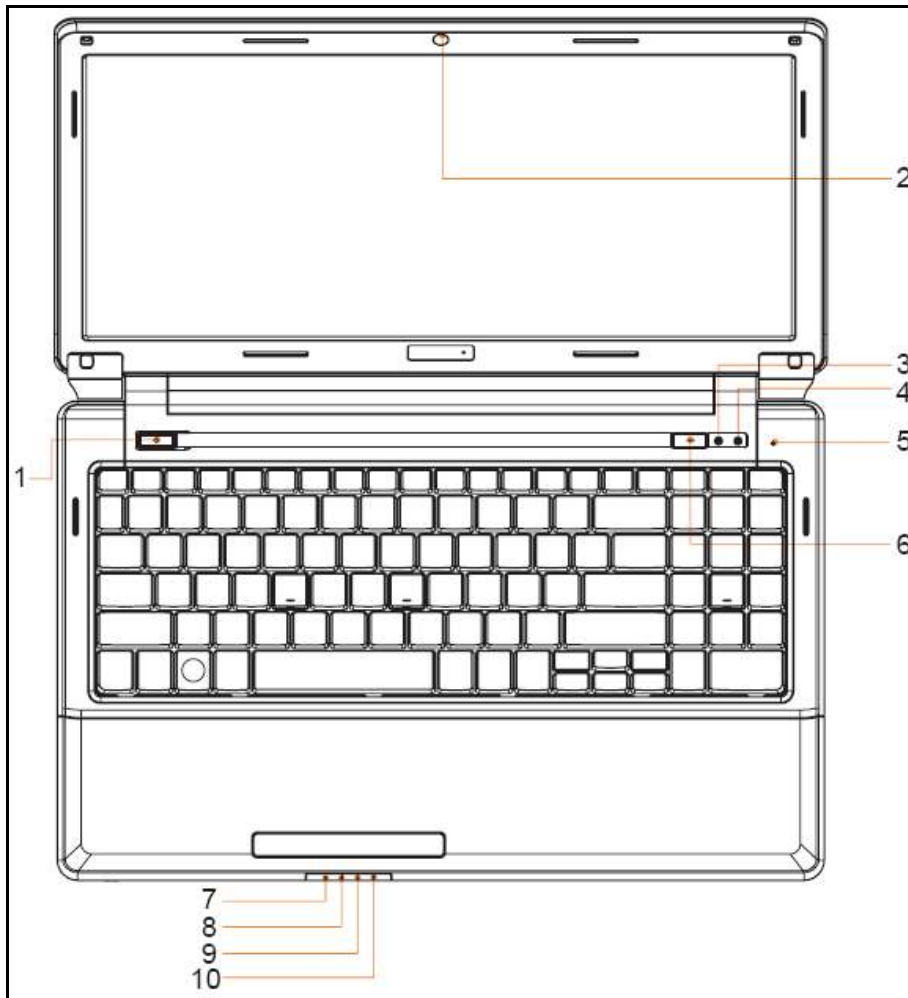
- No CPU throttling occur with running TAT TDP% / 3DMark06 at 28°C and no shut down at 35°C;

**Chapter 1**  
**Introducing Your Notebook**



## 1.1 Front Side

The following picture shows the front side of your notebook.



1	Power Button (Blue)	6	Power USB Button (Blue)
2	Web Camera	7	Wireless (Amber)
3	Num Lock (Blue)	8	System Status (Blue)
4	Caps Lock (Blue)	9	Battery (Blue/Amber)
5	Microphone	10	HDD (Blue)

### 1.1.1 Power Button (Blue)



Press to turn your notebook on.



Windows 7, which comes preinstalled, goes into the shutdown sequence automatically if you press the power button while on.

In Windows 7, you can configure this in Control Panel > System and Maintenance or Hardware and Sound > Power Options > Change plan settings > Change advanced power settings.

### 1.1.2 Web Camera

1.3M Pixel CMOS Camera w/ USB2.0 interface

### 1.1.3 Num Lock (Blue)

Number Lock LED (Blue): Number Lock State of Keyboard.

### 1.1.4 Caps Lock (Blue)

Caps lock LED (Blue): Caps Lock State of Keyboard

NOTE: In normal mode (Cursor and Num function are disable), when users press Hot Key, the Cursor LED will be on. When users press Hot Key, the Cursor LED will be off.

### 1.1.5 Microphone

Conversion device changing the sound signal into electrical signal.

### 1.1.6 Power USB Button (Blue)



The laptop is equipped with a power USB function, which allows you to increase the power output when charging an external USB device, such as a mobile phone or PDA.

You can charge external USB devices with power cable connected when the laptop is powered off, but this button must be pressed in order to do so.

### 1.1.7 Bluetooth/Wireless Switch LED

1: kill switch On:

When users press Fn+F2, AP will be showed. At this time, User can turn on/off which Wireless LAN and Bluetooth.

2: kill switch Off:

In this status, show device OFF. When users press Fn+F2, AP will be show user that can not turn on the Wireless LAN and Bluetooth.

### 1.1.8 System Status (Blue)

While System is standby, flashing (1 second on, 1 second off)

While System is off, it is off.

### 1.1.9 Battery LED (Blue/Amber) ( )

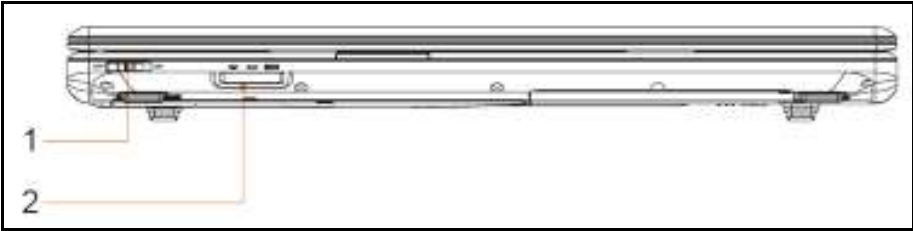
Battery status LED is one dual-color LED indicator both of Blue and Amber color.

Battery status LED	ON while battery is full	Blue
	Flashing while battery is charging, 1 second on, 1second off	Blue
	On while battery capacity $\leq$ 10%	Amber
	Flashing while battery capacity $\leq$ 3% 500msecond on, 500msecond off	Amber

### 1.1.10 HDD accessing state Blue LED ( )

Reflect the activities of Blue LED.

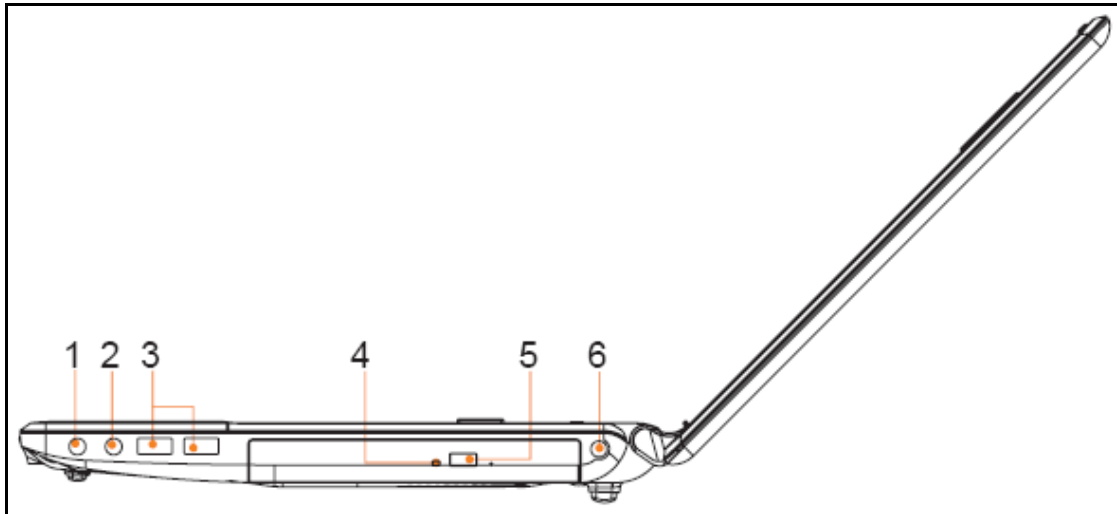
Note: LED is controlled directly by hardware.



1	Wireless Kill switch
2	3 in1 Card Reader

## 1.2 Right Side

The following picture shows the right side of your notebook.



1	Earphone connection (Lime)
2	Microphone connection (Pink)
3	Power USB x2
4	ODD LED (Green)
5	ODD Button
6	DC in

### 1.2.1 Earphone connection (Lime)

Connect Earphone.

### 1.2.2 Microphone connection (Pink)

Connect Microphone.

### 1.2.3 Power USB Port



When you press Power USB button under off mode, you can charge external USB devices with power cable connected.



USB is a peripheral expansion standard that supports data-transfer rates up to 480 Mbps. USB peripherals has a single standard for cables and connectors. You can install and remove USB devices while the computer is on. This is called “hot swapping”.

### 1.2.4 Optical Disc Drive

The optical disc drive provides a means for you to import/export data into/from your notebook. Depending on the configuration of your notebook, you may either be able to record or play CDs/DVDs /BDs.

### 1.2.5 ODD Button

Open the ODD to package CDs/DVDs /BDs on the ODD racket.

### 1.2.6 DC in



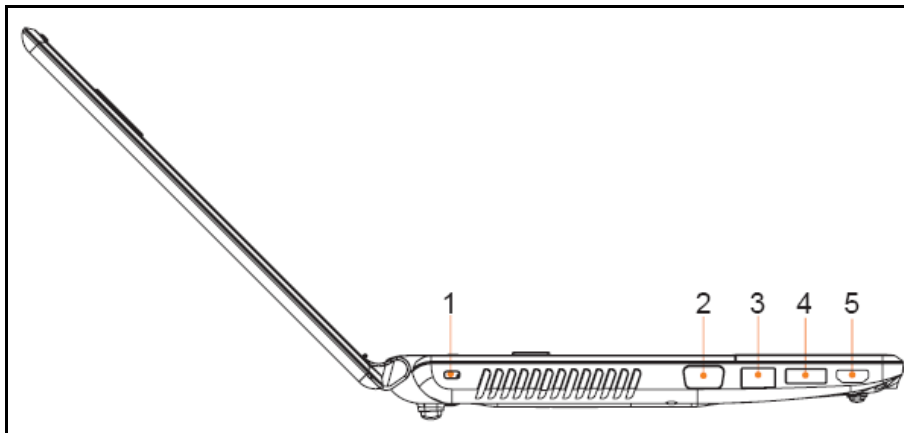
Use this connector to attach the AC adapter to your notebook. You can connect an AC adapter when your notebook is switched on or off.



While the AC adapter works with electrical outlets worldwide, power connectors and power strips vary by country. Ensure you use a compatible cable or correctly connect the cable to the power strip or electrical outlet. Failure to do so may cause fire or damage to equipment.

## 1.3 Left Side

The following picture shows the left side of your notebook.



1	Kensington Lock
2	D-SUB(Black)
3	RJ-45
4	e-SATA
5	HDMI

### 1.3.1 Kensington Lock

A Kensington Security Slot is a small, metal-reinforced hole found on almost all small or portable computer and electronics equipment, particularly on expensive and/or relatively light ones, such as laptops, computer monitors, desktop computers, gaming consoles, and video projectors. It is used for attaching a lock-and-cable apparatus, in particular those from Kensington.

### 1.3.2 D-SUB



Use this port to connect an external monitor to your computer.

### 1.3.3 RJ-45



The RJ-45 network jack allows you to connect your notebook to a local area network (LAN).



Be careful not to plug the telephone line into the slightly larger network connector.

### **1.3.4 e-SATA**

Connect external SATA hard disk

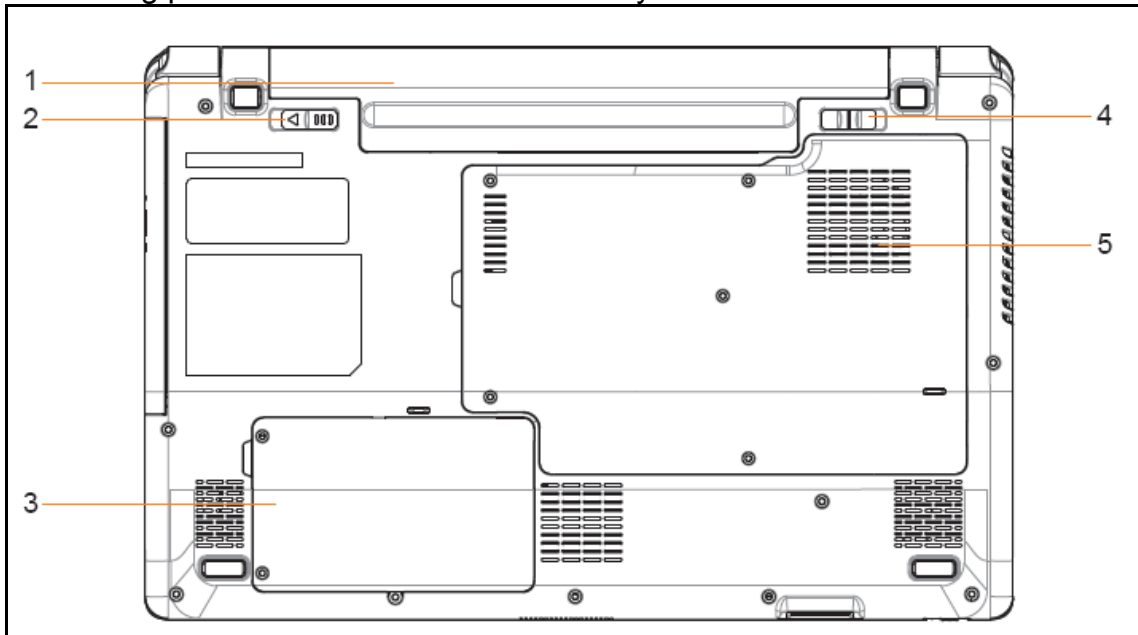
### **1.3.5 HDMI Port**

The High-Definition Multimedia Interface (HDMI) is a compact audio/video connector interface for transmitting uncompressed digital streams. It represents a digital alternative to consumer analog standards such as Radio Frequency (RF) coaxial cable, composite video, S-Video, SCART, component video, D-Terminal, and VGA.



## 1.4 Bottom Side

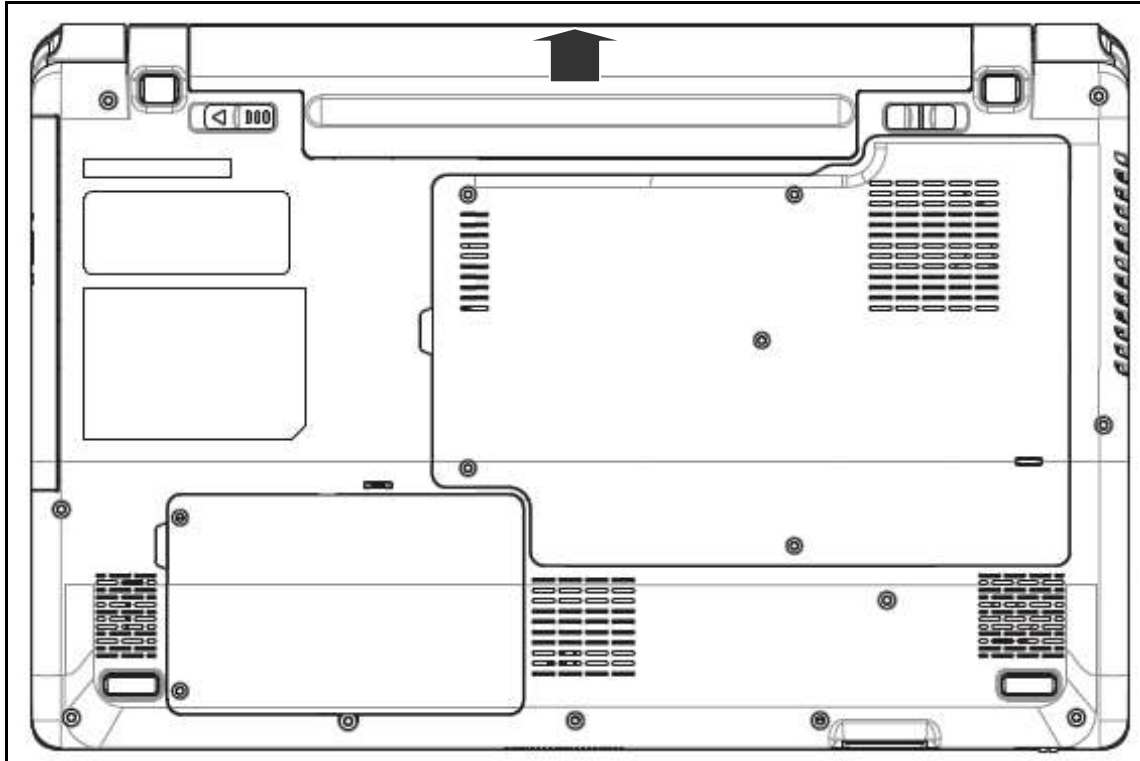
The following picture shows the bottom side of your notebook



1	Battery Pack
2	Battery Release Latch
3	HDD Cover
4	Battery Lock Switch
5	RAM&CPU Cover

### 1.4.1 Battery Pack

With a charged battery pack installed, you can use your notebook without connecting it to an electrical outlet.



To remove the Battery Pack:

Move the Battery Lock Switch to the right (Unlock position).

Slide the Battery Release Latch to the left and gently pry the Battery Pack from the computer chassis.

### 1.4.2 Battery Release Latch

The Battery Release Latch secures the battery pack. To release, slide the latch and then remove the battery pack from the bay.

# **Chapter 2**

## **Caring for Your Notebook**

## 2.1 Caring for Your Notebook

- Cleaning Your Notebook and Keyboard
- Cleaning the Display
- Cleaning the Touch Pad
- Cleaning the CD/DVD Drive
- Precautions

### 2.1.1 Cleaning Your Notebook and Keyboard

Shut your notebook down, turn it off and disconnect it from the electrical outlet and any external devices, such as the printer.

Remove the battery pack.

Use the brush attachment of your vacuum cleaner to gently remove dust from your notebook's openings and keyboard.

Use a slightly moist soft, lint-free cloth to wipe your notebook and keyboard. *Use only the water or the recommended computer cleaner.*

### 2.1.2 Cleaning the Display

Shut your notebook down, turn it off and disconnect it from the electrical outlet and any external devices, such as the printer.

Remove the battery pack.

Use a slightly moistened soft, lint-free cloth to wipe your notebook's display. *Use only the water or the recommended computer cleaner.*

### 2.1.3 Cleaning the Touch Pad

Shut your notebook down, turn it off and disconnect from the electrical outlet and any external devices, such as the printer.

Remove the battery pack.

Use a slightly moistened soft, lint-free cloth to carefully wipe the Touch Pad, being careful not to allow the moisture into the gaps of your notebook. *Use only the water or the recommended computer cleaner.*

### 2.1.4 Cleaning the CD/DVD Drive



Never touch the lens. Use only the compressed air to clean the lens.

If you encounter the difficulty in playing CDs or DVDs, including skipping over, please clean the unlabelled side of the disc with a soft, lint-free cloth or use the commercial product.

### 2.1.5 Precautions

- Do not spill the liquid on the keyboard. If the liquid is spilt on the keyboard, turn your notebook off immediately. Leave off overnight to let it completely dry out before using it again.
- Do not turn off your notebook if the drive light indicates the drive is active. Turning off your notebook while it is reading from or writing to a disk may damage the disk, the drive, or both.
- Keep your notebook and disks away from the objects that generate the strong magnetic fields, such as the stereo speakers. Information on disks is stored magnetically. Placing the magnet too close to the disk can erase the important files.
- Scan all new files for viruses. This precaution is especially important for the files you receive via email, disk or download from the Internet. You will need the special program to scan for viruses. For further information, please contact with your notebook dealer.
- To ensure HDD function and the integrity of the saved data, please follow the instructions below:
  - ◆ Do not power off.
  - ◆ Protect your notebook from any impact during its operation.
  - ◆ Do not use your notebook during the transportation such as in the car.
  - ◆ Do not put your notebook in the car if it is directly exposed under the sun.
  - ◆ Use the AC adapter coming with the package instead of other adapters.

## 2.2 Traveling

- Identifying Your Notebook
- Packing Your Notebook
- Traveling Tips
- If Your Notebook is Lost or Stolen

### 2.2.1 Identifying Your Notebook

Attach a nametag or business card to your notebook, or use the permanent marker or stencil to write a unique identifying mark (such as your driver's license number) on the case.

Create a file on the Desktop called **if found**. Place information such as your name, address, and telephone number in this file.

Contact your credit card company to ask if it offers coded identification tags.

### 2.2.2 Packing Your Notebook

- Remove any external devices attached to your notebook and store them in a safe place.
- Fully charge the main battery and any spare batteries you plan to carry with you.
- Turn off your notebook or put the computer into hibernate mode.
- Disconnect the AC adapter.
- Remove any extraneous items, such as paper clips, pens, and papers, from the keyboard and then close the display.
- Pack your notebook and accessories in their carry case.
- Avoid packing the computer with items such as shaving cream, colognes, perfumes, or food.
- Protect your notebook, the batteries, and the hard drive from hazards such as extreme temperatures, dirt, dust, liquids, or overexposure to sunlight.
- Pack your notebook so that it does not slide around in the trunk of the car or in an overhead storage compartment.



When traveling in the air, never check in your notebook as baggage.

### 2.2.3 Travel Tips

- If you are traveling abroad, you can carry the proof of ownership—or of your right for using your notebook if it is company-owned—to speed your passage through customs. Investigate the customs regulations of the countries you plan to visit and consider acquiring an international carnet (also known as a merchandise passport) from your government.
- Ensure that you know which electrical outlets are used in the countries you will visit, and prepare the appropriate power adapters.
- Check with your credit card company for information about any kinds of emergency travel assistance it offers to the users of the portable computers.
- When traveling in the air, please ensure that you have a charged battery available in case you are asked to turn on your notebook.
- Before using your notebook on the airplane, please verify that such usage is permitted. Some airlines forbid the use of electronic devices during the flight. All airlines forbid the use of electronic devices during taking-off and landing.





Never pass your notebook through a metal detector. Send it through an X-ray machine, or have it manually inspected.

#### **2.2.4 If Your Notebook is Lost or Stolen**

Call a law enforcement agency to report your notebook lost or stolen. Ask that a case number be assigned and write down the number, along with the name, address, and telephone number of the law enforcement agency. If possible, please obtain the name of the investigating officer.

If your notebook belongs to the company, notify its security office.



# **Chapter 3**

## **Peripherals**

### 3.1 Adding and Removing SD/MMC/MS Cards



Before removing an SD/MMC/MS card, stop it running from the configuration utility on the taskbar. Failure to do so could result in the data loss.

Insert the SD/MMC/MS card into the card reader slot.

To remove the SD/MMC/MS card, please push it in gently and then it ejects automatically.

## 3.2 Memory Modules

You can add more memory modules to your notebook to improve its performance. Or you can remove memory modules for some demands.

**No matter how to install or remove a memory module, you must need special service member to operate it.**



Depending on how much additional memory you require, you may need to replace the original memory module.

**Note:** before change memory modules, please make sure below items:

- Make sure the computer is turned off.
- Take the battery off the notebook.
- When operating, make sure the notebook inner temperature is in normal.



# **Chapter 4**

## **The BIOS Setup Program**

### 4.1 Introduction

The BIOS (Basic Input and Output System) Setup program is a menu driven utility that enables you to make changes to the system configuration and tailor the operation of your notebook to your individual work needs. A ROM-based configuration utility displays the system's configuration status and provides you with a tool to set system parameters. These parameters are stored in nonvolatile battery backed-up CMOS RAM, which saves this information even when the power is turned off. When the computer is turned back on, the system is configured with the values found in CMOS. Via easy-to-use menus, you can configure such items as:

- **Boot devices**

The settings made in the Setup program intimately affect how your notebook performs. It is important, therefore, to first understand all the available options, and second, to make settings appropriate for the way you use your notebook. This chapter guides you through the Setup program by providing the clear explanations for all Setup options.

A standard configuration has already been set in the Setup program by the factory technicians. However, eventually you may want to customize your system to suit your own performance needs. It is recommended that you read this chapter and become familiar with the configurations that can be made in the BIOS.

The next section explains how to move around in the Setup program, as well as how to specify and save your new settings. A brief discussion of the optional settings among the different submenus follows.



## 4.2 Navigating through the BIOS Setup Program

- Accessing the BIOS Setup Program
- Launching Submenus
- Saving Changes and Exiting the Setup Program

The Setup program has been designed to make it as easy to use as possible. It is a menu driven program, which means you can scroll through the various directories and make your selections among the various predetermined choices. If you accidentally configure a setting, use the BIOS hot keys to return to the previous value. The hot keys are discussed in more detail later in this chapter.

When turning on your notebook for the first time you may be prompted to run the BIOS Setup program. A warning message may appear on the screen if the hardware configuration is changed or the POST fails. This message will inform you of any errors or invalid settings and prompt you to run the Setup program to correct the problem.

Even if you are not prompted by a message instructing you to use the Setup program, at some time in the future you may want to change the configuration of your notebook. It will then be necessary to reconfigure your system using the Setup program so that your notebook can recognize these changes.

The list below gives a few examples of reasons why you may want or need to run the BIOS Setup program.

- You have set up your notebook for the first time and you got a message stating that you should run the BIOS Setup program.
- You want to redefine the communication ports to prevent any conflicts.



The few examples listed above are by no means complete.

### 4.2.1 Accessing the BIOS Setup Program

The setup function can be invoked by pressing F2 when “Press <F2> to enter Setup” message is prompted on the bottom of screen during POST.

During setup, all Fn function keys and power saving functions are disabled.

#### Information Menu

This Menu will show the System Information such as CPU Type and Speed, HDD Model Name and Serial number, ODD Model Name, System BIOS Version and so on.

InsydeH20 Setup Utility			
Main	Security	Boot	Exit
System Time	[XX:XX:XX]	Details see the following Help Information	
System Date	[XX/XX/XXXX]		
Processor Type	Type,XXXGHZ		
Total Memory	XXX MB		
System BIOS Version:	X.XX.XX		
F1 Help	↑↓ Select Item	F5/F6 Change Values	F9 Setup Defaults
Esc Exit	←→ Select Screen	Enter Select ▶ Sub Menu	F10 Save and Exit

#### The Menu Bar

The top of the Setup screen has a menu bar with the following selections:

- Main** Allows the user to specify standard IBM PC AT system parameters.
- Security** This menu shows the security setting, such as TPM, Supervisor Password, Power on Password and HDD Password.
- Boot** Allows the user to specify the order in which your notebook is to check for a device to boot the system.
- Exit** Allows the user to save CMOS setting and exit Setup.

To move between menu bar items, use the [◀] and [▶] arrow keys until the desired item is highlighted. For example, if you want to move from the *Main menu* to the *advanced menu*, press the right arrow key [▶] once.

#### Item Specific Help

To the right of the Setup screen, you will notice an item specific help bar. For each item that you select on the menu, the bar informs of its specific function as well as the hot keys related to that item and/or submenu.

### 4.2.2 Launching Submenus

A submenu contains the additional options for a field parameter. To call up a submenu, simply move the highlight to the desired field and press the [Enter] key. The submenu opens.

If you are a first time user or are not familiar with BIOS Setup program, it is highly recommended that you take a few minutes to familiarize yourself with each of the submenus and their corresponding functions. If you accidentally make unwanted changes to the current configuration, go to the *Exit menu* and select **Discard Changes**.

### 4.2.3 Saving Changes and Exiting the Setup Program

Refer to the *Exit Menu* section of this chapter for the detailed information on saving changes and exiting the Setup program.

## 4.3 The Main Menu

When the Setup program is accessed, the Information screen appears. It displays the following pieces of information regarding your current system:

InsydeH20 Setup Utility			
<b>Main</b> Security   Boot   Exit			
System Time	[XX:XX:XX]	Details see the following Help Information	
System Date	[XX/XX/XXXX]		
Processor Type	Type,XXXGHZ		
Total Memory	XXX MB		
System BIOS Version:	X.XX.XX		
F1 Help	↑↓ Select Item	F5/F6 Change Values	F9 Setup Defaults
Esc Exit	←→ Select Screen	Enter Select ▶ Sub Menu	F10 Save and Exit

### System Time and System Date

The hour is displayed with 24-hour format. The values set in these two fields take effect immediately.

### Processor Type

This field shows CPU type and speed.

### Total Memory

This field reports the memory size of the extended memory with an integer in the system.

### Help information

System Time

[hh:mm:ss] This is the help for the hour field. Vaild range is from 0 to 23.

INCREASE/REDUCE: +/-.

[hh:mm:ss] This is the help for the minute field. Vaild range is from 0 to 59.

INCREASE/REDUCE: +/-.

[hh:mm:ss] This is the help for the second field. Vaild range is from 0 to 59.

INCREASE/REDUCE: +/-.

### System Date

[mm:dd:yy] This is the help for the month field. Valid range is from 1 to 12.  
(Error checking will be done against month/day/year combinations that are not supported)

INCREASE/REDUCE: +/-.

[mm:dd:yy] This is the help for the day field. Valid range is from 1 to 31.  
(Error checking will be done against month/day/year combinations that are not supported)

INCREASE/REDUCE: +/-.

[mm:dd:yy] This is the help for the year field. Valid range is from 2000 to 2009.  
(Error checking will be done against month/day/year combinations that are not supported)

INCREASE/REDUCE: +/-.

## 4.4 The Security Menu

This menu shows the security setting, such as TPM, User and Supervisor Password, HDD Password and Power on Password.

InsydeH20 Setup Utility				
Main		<b>Security</b>	Boot	Exit
TPM Status		XXXXXXXX		Details see the following Help Information
TPM Operation		[No Operation]		
TPM Force Clear		[Enabled]		
Supervisor Password :		Clear		
Set Supervisor Password				
Power on Password		[Enabled]		
HDD Password Status		No Accessed		
Set HDD Password				
F1 Help	↑↓ Select Item	F5/F6 Change Values	F9 Setup Defaults	
Esc Exit	←→ Select Screen	Enter Select ▶ Sub Menu	F10 Save and Exit	

### TPM Status

Show the TPM status: “Enable and Active” or “Disable and Deactive”

### TPM Operation

Enable/Disable TPM Function. This option will automatically return to No-Operation.

### TPM Force Clear

This item will show when the TPM Operation be set “Enable and Active”, used to enable/disable TPM Force Clear function.

### Supervisor Password

Show the Password status: Clear or Set

### Set Supervisor/HDD Password

Install or Change the password.

Notes: You only can set the User password after the Supervisor password is set.

### Power on Password

Enable or disable the Power on Password. You only can enable/disable Power on password after the Supervisor password is set.

### HDD Password Status

This item will show enable or disable HDD Password Status.

### **Help information**

#### **TPM Operation**

Enable/Disable TPM Function. This option will automatically return to No-Operation.

#### **TPM Force Clear**

TPM Force Clear Function

#### **Set Supervisor Password**

Install or change the password and the length of password must be greater than one word.

#### **Power on password**

Enable: System will ask input password on post time.

Disable: System will ask input pass-word when go to Setup Utility

#### **Set add Password**

Lock Hard disk and the length of password must be greater than one word.



## 4.5 The Boot Menu

This menu allows the user to decide the order of boot devices to load the operating system. Bootable devices include the diskette drive in module bay, the onboard hard disk drive in module bay.

InsydeH20 Setup Utility							
Main		Security		<b>Boot</b>	Exit		
Boot priority order:							
Floppy Drive : XXXXXXXXXXX							
Hard Disk Drive : XXXXXXXXXXX							
CD/DVD-ROM Drive: XXXXXXXXXXX							
USB HDD : XXXXXXXXXXX							
USB CDROM : XXXXXXXXXXX							
Network boot: Realtek PCI-E Gigabit Ethernet Boot Agent							
Details see the following Help Information							
F1	Help	↑↓	Select Item	F5/F6	Change Values	F9	Setup Defaults
Esc	Exit	←→	Select Screen	Enter	Select ▸ Sub Menu	F10	Save and Exit

### Help information

Use <↑> or <↓> to select a device, then press <F5> to move it down the list, or <F6> to Move it up the list. Press <Esc> to escape the menu.

## 4.6 The Exit Menu

InsydeH20 Setup Utility							
Main		Security		Boot		<b>Exit</b>	
Exit Saving Changes						Details see the following Help Information	
Exit Discarding Changes							
Load Optimal Defaults							
F1	Help	↑↓	Select Item	F5/F6	Change Values	F9	Setup Defaults
Esc	Exit	←→	Select Screen	Enter	Select	▶	Sub Menu
						F10 Save and Exit	

### Exit Saving Changes

Allows the user to save changes to NV Storage and reboot system. The following message is prompted when user press “Enter” on the item.

<p><u>Exit Saving Changes?</u></p> <p>[Yes]            [No]</p>
---

Yes: Save Changes, Exit SETUP and reboot

No: Back to previous screen

### Exit Discarding Changes

Allows the user to discard changes and continue the boot operation. The following message is prompted when user press “Enter” on the item.

<p><u>Exit Discarding Changes?</u></p> <p>[Yes]            [No]</p>
---

**Yes: Discard Changes and continue the boot operation**

**No: Back to previous screen**

**Load Optimal Defaults**

Allows the user loads default values in CMOS Setup. The following message is prompted when user press “Enter” on this item:

<p><u>Load Optimal Defaults?</u> [Yes]      [No]</p>
--

It still stay in Setup when press a key.

**Help information**

**Exit Saving Changes**

Exit system setup and save your changes.

**Exit Discarding Changes**

Exit system setup and without saving your changes.

**Load Optimal Defaults**

Load Optimal Defaults.

## 4.7 BIOS Embedded IDs

### 4.7.1 System Board ID

The system BIOS shall report the system board ID (also called Platform ID in many occasions) as the OEM Table ID in the ACPI Tables.

Platform	Platform ID
NBLB3 UMA	0x004E
NBLB5 Switchable	0x004D

### 4.7.2 PCI Subsystem Device ID

The Subsystem ID (SID) and Subsystem Vendor ID (SVID) fields are required to comply with the Subsystem ID ECN to PCI 2.1 or the equivalent requirement in PCI 2.2. The subsystem exceptions to this requirement are certain sub-classes of bridges (PCI-PCI Bridge) and core chip set components.

**Subsystem Vendor ID will be Compal == 0x14C0**

Platform	Platform ID
NBLB3 UMA	0x004E
NBLB5 Switchable	0x004D