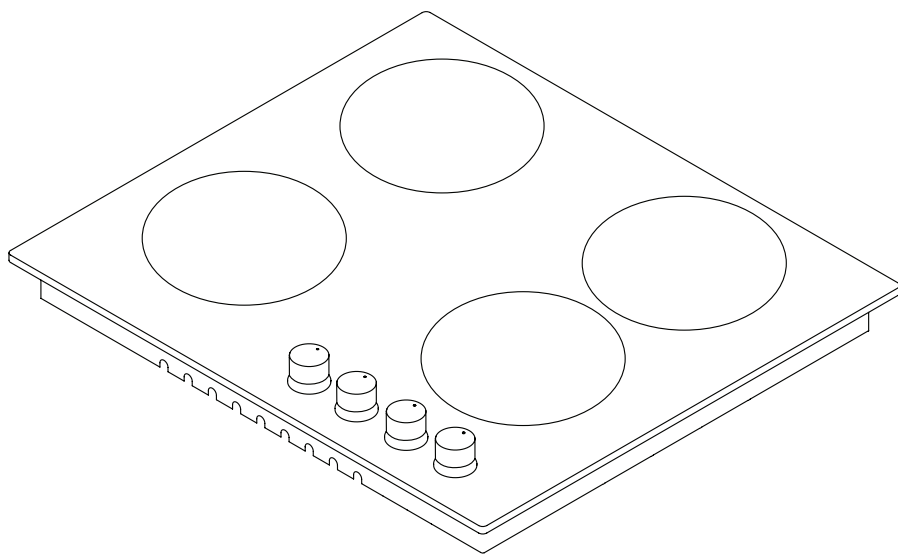


# BUILT-IN COOKTOP

## Electric



H10-20-260-138 Rev 002

**USER MANUAL** **GB**



**Dear User,**

Our objective is to make this product provide you with the best output which is manufactured in our modern facilities in a careful working environment, in compliance with total quality concept.

Therefore, we suggest you to read the user manual carefully before using the product and, keep it permanently at your disposal.

**Note:** This user manual is prepared for more than one model. Some of the features specified in the Manual may not be available in your appliance.

All our appliances are only for domestic use, not for commercial use.

**“Conforms with the WEEE Regulations.”**


## CONTENS

Important Warnings.....	4
Introduction Of The Appliance.....	6
Control Panel.....	7
Electrical Connection Scheme.....	7
Important Warnings.....	8
Installation Of Cooktop .....	9
Correct Place For Installation.....	10
Counter Cutting Sizes And Installation Of Your Cooktop.....	11
Usage Of Your Cooktop.....	12
Electrical Heater Power Values Quick.....	12
Maintenance And Cleaning.....	13
Roubles And Solution Proposals.....	14
Environmentally-Friendly Disposal And Package Information.....	14



## IMPORTANT WARNINGS

- 1. WARNING:** Before touching the connection terminals, all supply circuit should be disconnected.
- 2. WARNING:** Risk of fire; do not store the food materials on the cooking surface.
- 3. WARNING:** If the surface is cracked, unplug the device to prevent any risk of electric shock.
- 4. WARNING:** Any inadvertent cooking made with fats and oils can be dangerous and cause fire.
- 5. WARNING:** During usage the reachable sections can be hot. Keep the small children away.
- 6. WARNING:** The appliance and its reachable sections become hot during usage.
7. The setting conditions of this appliance is indicated on the label. (Or data tag)
- 8. WARNING:** The appliance is intended for cooking only. It must not be used for other purposes like room heating.
9. “These instructions are applicable for countries of which symbols are indicated on the appliance. If the country symbol is not available on the appliance, in order to adapt the appliance to the conditions of such country, the technical instructions should be read.”
- 10.** Do not use steam cleaners to clean the appliance.



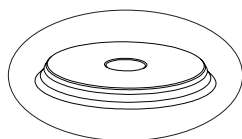
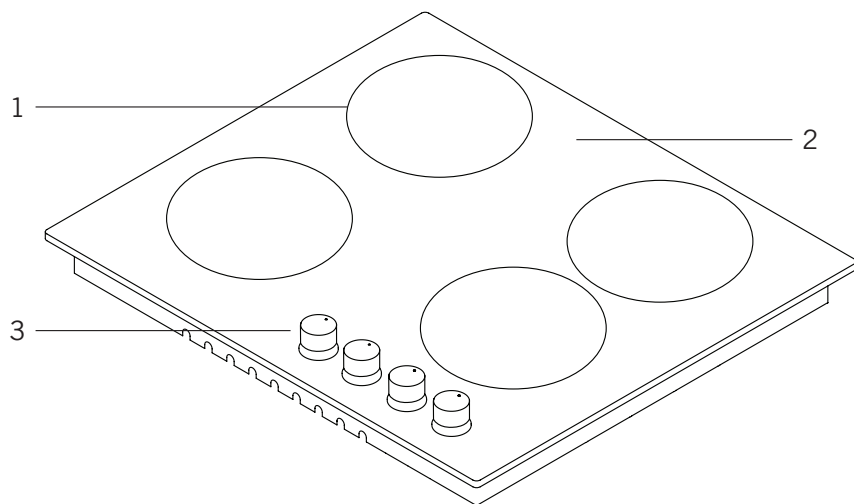
**11.** NEVER try to extinguish a fire with water, first disconnect the mains supply and then using, for example a lid or blanket, cover the fire.

**12.** Unless continuous supervision is provided, the children of age 8 or below should be kept away.

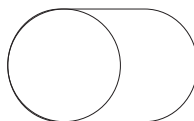
**13.** Pay attention for not to touch the heating elements.

**14.** This appliance can be used by children aged from 8 years and above and persons with reduced physical, sensory or mental capabilities or lack of experience and knowledge if they have been given supervision or instruction concerning use of the appliance in a safe way and understand the hazards involved.

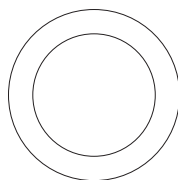
## INTRODUCTION OF THE APPLIANCE



4



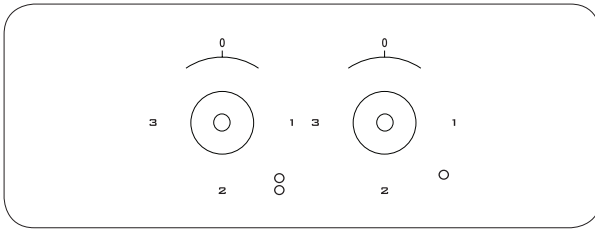
5



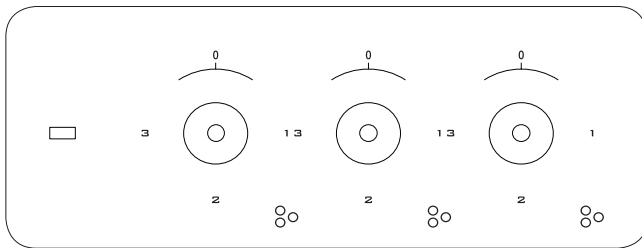
6

- 1- Heater Positions
- 2- Glass or Metal Surface
- 3- Control Switches
- 4- Hotplate
- 5- Oval dual Heater
- 6- Double Heater

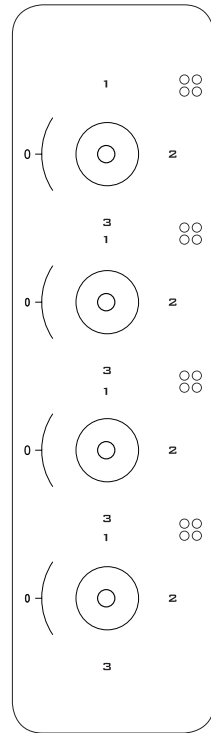
## CONTROL PANEL



Cooktop Panel Visual of 30 cm



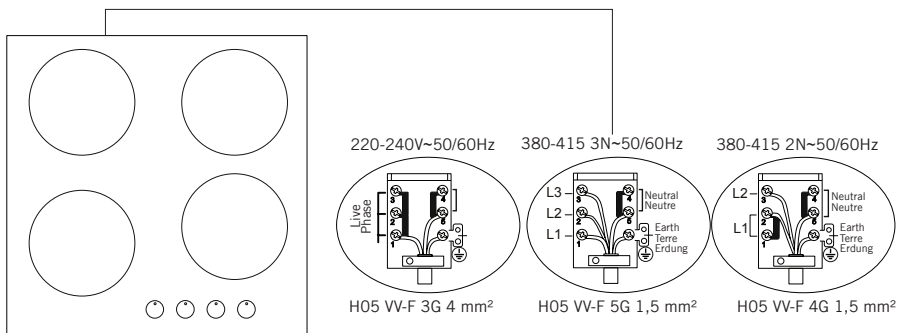
Cooktop Panel Visual of 45 cm



Cooktop Panel of 60 cm

## ELECTRICAL CONNECTION SCHEME

Get electrical connection of your appliance done to authorized person in line with the following scheme.



## IMPORTANT WARNINGS

### Electrical Connection and Safety

1. Setting conditions of this appliance is indicated in tag or data plate.
2. Your appliance should be plugged in a fuse appropriate for electric power. If necessary, it is recommended that installation is done by authorized service.
3. Your appliance is configured in accordance with electrical supply of 220-240V AC/380-415V3N AC 50/60Hz.
4. If main electrical network is different from these values, contact with your authorized service.
5. Electrical connections of your appliance should only be made to the fuses having suitably wired grounding (grounded) system. If no convenient fuse is available in the place where your appliance is to be installed, contact with authorized service immediately. Manufacturing firm is not responsible definitely for the damages that fuses whose grounding is not made and connected to the appliance can cause.
6. Plug of the appliance should be close to be accessed easily to the fuse whose grounding is made without use of extension cord.
7. Do not allow contacting the power cable of your appliance with hot regions. Similarly, keep away it from sharp edges and corners.
8. If feeder cord is damaged, this cord should be replaced either by manufacturer or its service agency or same degree qualified personnel in order to hinder a dangerous situation.
9. Wrong electrical connection may give damage to the appliance. In this case, your appliance will remain out of guarantee scope. Electrical connection of your appliance should be done by authorized service.
10. During operation of cooktop, some parts may be hot. When you also bring switches closed position, it may remain hot for a while. Children should be kept away every time and not be left without observation. Do not touch surface of cooktop while warning lights flashes. When you bring your appliance closed position, hot parts being still dangerous are stated with warning lights. (Vitreoceran models).



## INSTALLATION OF COOKTOP

1. Turn the cooktop down and place on smooth ground.
2. In order to prevent entrance of foreign substances and liquids between cooktop and counter, apply the paste given in package to the sides of lower guard of counter. For corners, curl paste and increase curls till filling corner gaps.
3. Turn cooktop again and align with and place on counter.
4. Fasten up your cooktop on counter by using the clamp and screws supplied.

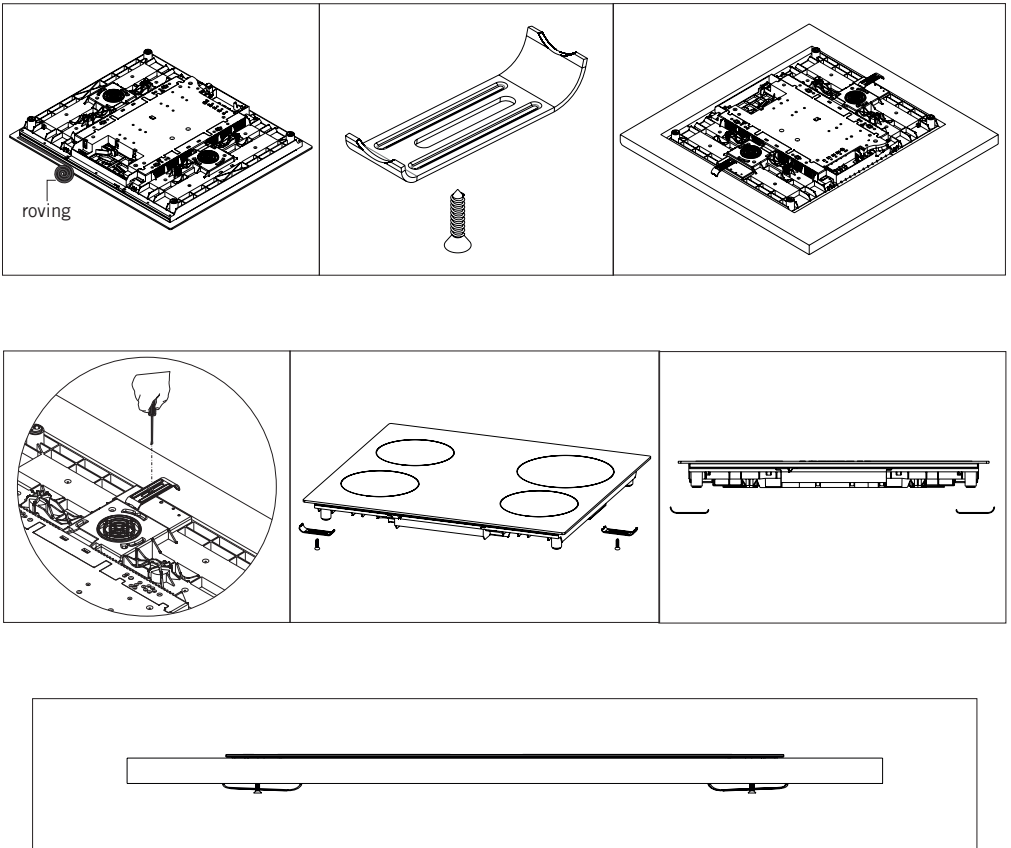
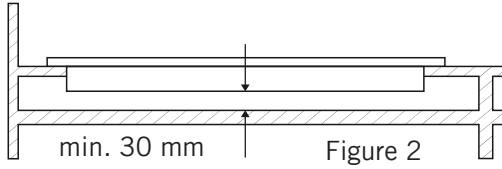


Figure 1

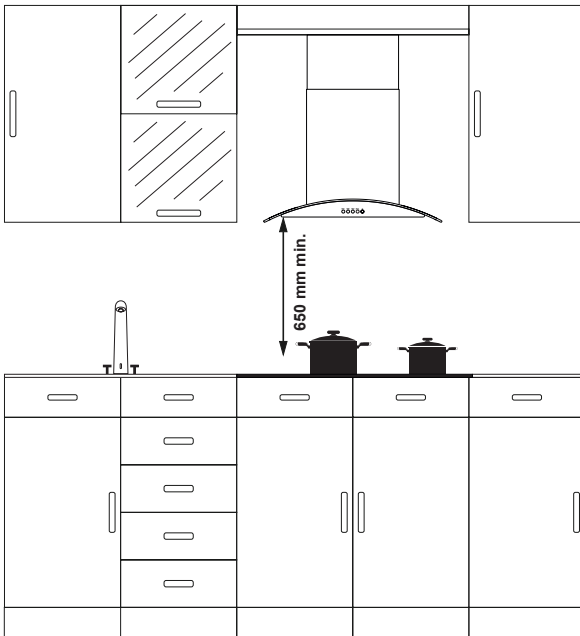
5. When product is mounted on a drawer, if it is possible to touch lower side of product, this section should be separated with a wooden shelf.



6. While mounting cooktop on a closet, as shown in the figure above, in order to separate between closet and cooktop, a shelf should be mounted. If it is mounted on a built-in oven, there is no need to do that.

7. If your cooktop will be mounted next to right or left wall, the minimum distance between wall and cooktop should be 50 mm.

### CORRECT PLACE FOR INSTALLATION



Product is designed in accordance with the kitchen counters supplied from market. A safe distance should be left between the product and kitchen walls and furniture.

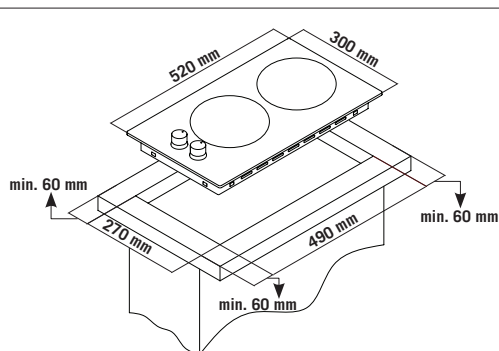
If hood/aspirator will be installed over your appliance, obey to the recommendation of hood/aspirator manufacturer for assembly height. (min. 65 cm)

The gap that cooktop is to be placed on the counter should be cut in line with cooktop installation dimensions.

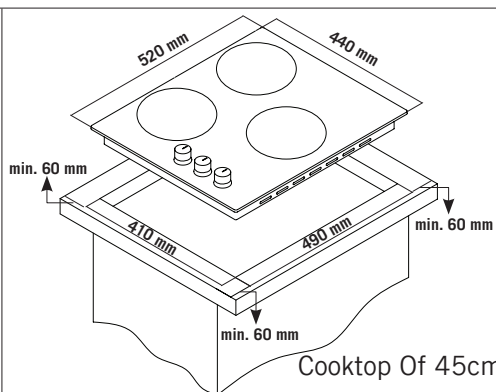
For installation of the product, the rules specified in local standards related to electricity should be complied.

## COUNTER CUTTING SIZES AND INSTALLATION OF YOUR COOKTOP

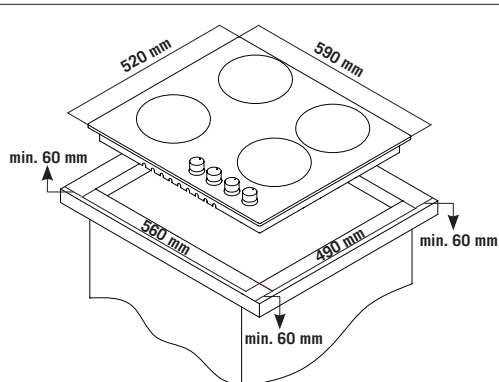
Pay attention to the drawings and dimensions given below while making cooktop installation and adjusting counter cutting sizes.



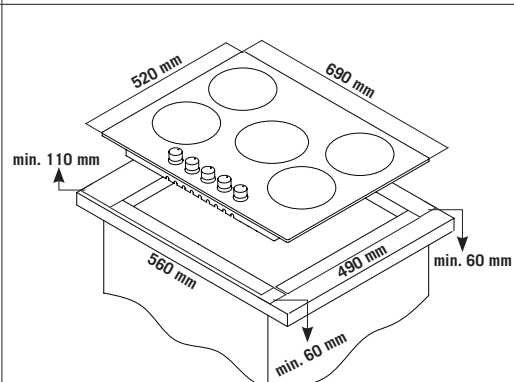
Cooktop Of 30cm



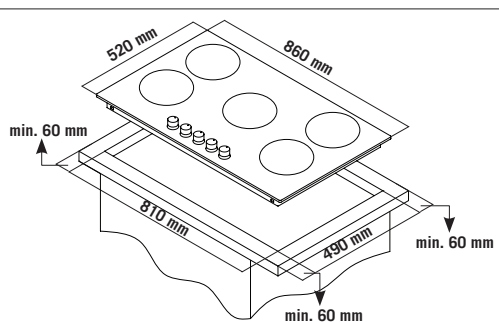
Cooktop Of 45cm



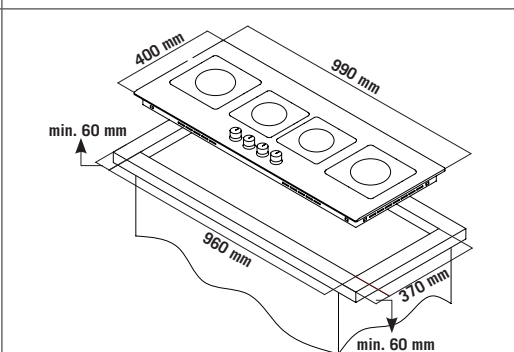
Cooktop Of 60cm



Cooktop Of 70cm



Cooktop Of 90cm



Cooktop Of 100cm

## USAGE OF YOUR COOKTOP

### Usage of Hotplate

You can operate electric cooktops by turning the button on control panel you want to use to the level you desire. Cooktop powers as per levels are given in the following table.

	LEVEL 1	LEVEL 2	LEVEL 3	LEVEL 4	LEVEL 5	LEVEL 6
80mm	200W	250W	450W	---	---	---
145mm	250W	750W	1000W	---	---	---
180mm	500W	750W	1500W	---	---	---
145mm Rapid	500W	1000W	1500W	---	---	---
180mm Rapid	850W	1150W	2000W	---	---	---
145mm	95W	155W	250W	400W	750W	1000W
180mm	115W	175W	250W	600W	850W	1500W
145mm Rapid	135W	165W	250W	500W	750W	1500W
180mm Rapid	175W	220W	300W	850W	1150W	2000W

### ELECTRICAL HEATER POWER VALUES QUICK

	LEVEL 1	LEVEL 2	LEVEL 3	LEVEL 4	LEVEL 5	LEVEL 6	LEVEL 7	LEVEL 8	LEVEL 9	MAK.
Ø140mm Commutator	130 W	206 W	350 W	500 W	850 W	1200 W	---	---	---	---
Ø180mm Commutator	180 W	470 W	790 W	850 W	1230 W	1700 W	---	---	---	---
Ø180mm Regulator	1800 W	1800 W	1800 W	1800 W	1800 W	1800 W	1800 W	1800 W	1800 W	---
Ø140/250mm Ovaldual	1000 W	1000 W	1000 W	1000 W	1000 W	1000 W	1000 W	1000 W	1000 W	1800 W
Ø120/180mm Double	700 W	700 W	700 W	700 W	700 W	700 W	700 W	700 W	700 W	1700 W



True

False

False

False

## MAINTENANCE AND CLEANING

Before starting to maintenance or cleaning, firstly unplug the plug supplying electricity to cooktop and turn down gas valve. If cooktop is hot, wait for cooling down.

1. For the purpose that your cooktop has long and economic life, regular cleaning and maintenance should be performed on your cooktop.

2. Do not clean your cooktop with scratching tools such as bristle brush, wire wool or knife. Do not use abrasive, scratching, acid materials or detergent.

3. Following mopping parts of your cooktop with soapy cloth, rinse it, later rinse well with a soft cloth.

4. Clean glass surfaces with special glass cleaning substances. As scratching of glass surfaces leads to breaking, while cleaning glass surfaces, do not use abrasive cleaners or sharp metal scrapers.

5. Do not clean your cooktop with steamy cleaners.

6. In the course of cleaning your cooktop, never use flammable materials such as acid, thinner and gas.

7. Do not wash plastic and aluminium parts of your cooktop in dishwasher.

8. Clean vinegar, lemon, salt, coke and similar acid and alkaline containing substances poured on your cooktop immediately.

9. In time, cooktop buttons turns hard or never turn any more, in such circumstances, it may be necessary that buttons are changed. The change should only be done by authorized service.

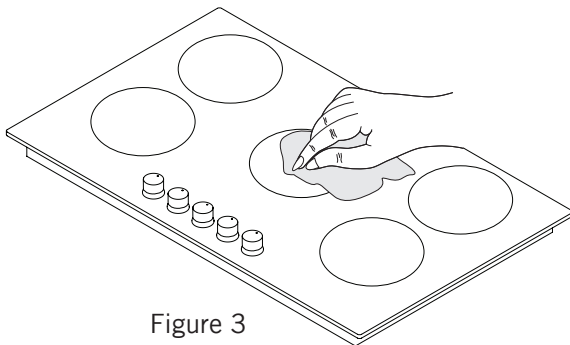


Figure 3

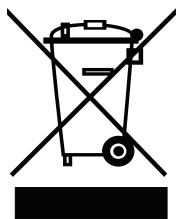
## TROUBLES AND SOLUTION PROPOSALS

You can solve the troubles you can encounter at your product by checking the following points before calling technical service.

### **If cooktop does not operate;**

- Check if power cable of cooktop is plugged in.
- Examine with safe ways if electric exists on network.
- Audit fuses.
- Control whether damage is available on power cable.

## ENVIRONMENTALLY-FRIENDLY DISPOSAL



Dispose of packaging in an environmentally-friendly manner.

This appliance is labelled in accordance with European Directive 2012/19/EU concerning used electrical and electronic appliances (waste electrical and electronic equipment - WEEE). The guideline determines the framework for the return and recycling of used appliances as applicable throughout to the EU.

## PACKAGE INFORMATION

Packaging materials of the product are manufactured from recyclable materials in accordance with our National Environment Regulations. Do not dispose of the packaging materials together with the domestic or other wastes. Take them to the packaging material collection points designated by the local authorities.