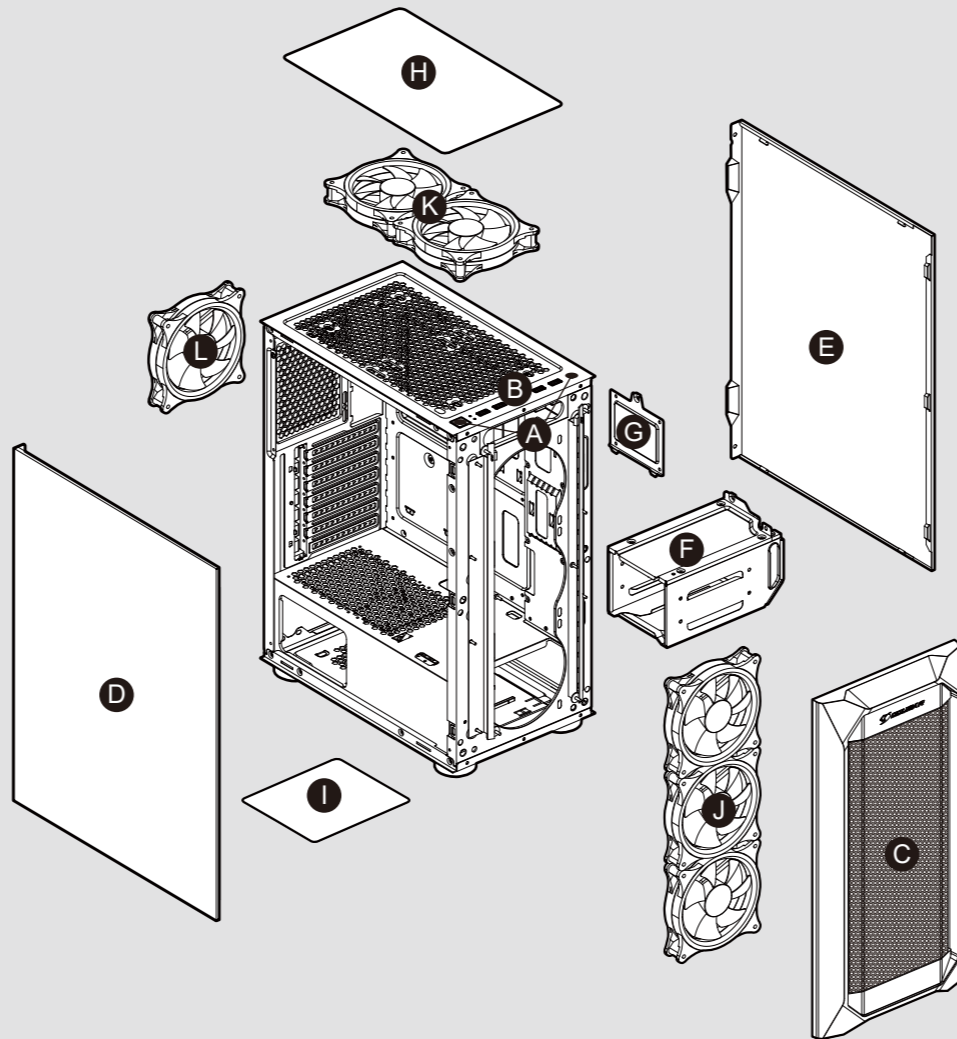




MX410

MESH-G RGB

Assembly Drawing



- A** Power button / RGB control button
- B** USB 3.0 / USB 2.0 / HD audio ports
- C** Front panel
- D** Tempered glass side panel
- E** Right side panel
- F** 3.5" HDD cage
- G** 2.5" HDD/SSD drive bay
- H** Air filter for top panel
- I** Air filter for bottom panel
- J** 3 x 120mm RGB fans for front panel (pre-installed)
- K** 2 x 120mm fans for top panel (optional)
- L** 120mm RGB fan for rear panel (pre-installed)

Installing the Front I/O Connectors

USB 3.0	USB 2.0	HD AUDIO	POWER SW	POWER LED	H.D.D LED	POWER

MX410 Mesh-G RGB sports an attractive and compact design with a massive mesh front panel for better air flow performance. The integrated lighting button with built-in LED controller allows it to display amazing lighting effects. With a massive tempered glass left panel, MX410 Mesh-G RGB showcases a clean and tidy build. It has wider but more compact and powerful design, which allows you to have high-performance and abundant storage space.

Excellent Looks with Superior Airflow

MX410 Mesh-G RGB's front panel combines with excellent appearance and sufficient airflow. Let it breathe through the front panel!

Enjoy the Dazzling RGB Show

The integrated lighting button with built-in LED controller allows MX410 Mesh-G RGB to display amazing lighting effects. It can also work to a compatible motherboards' 5V connection for system-wide lighting synchronization.

Elegant Design with Massive Tempered Glass Left Panel

With the full-length PSU cover hides cables and a massive tempered glass left panel presents a clean and tidy build, you can easily build a pro-level system.

Wider but More Compact and Powerful

MX410 Mesh-G RGB's 210mm width allows much larger interior space with better cooling performance and cable management. However, its compact exterior dimension takes up less desktop space. MX410 Mesh-G RGB can surely fit a full-sized ATX Motherboard, 300mm-length Graphic card, three 2.5" SSDs, and two 3.5" HDDs, which allow you to achieve the extreme operation and abundant storage space.

Abundant for Multiple USB Devices

The front panel is equipped with two USB 3.0 ports and two USB 2.0 ports, let you easily connect multiple peripheral devices and accessory charging. Not only optimize your processing experiences, but also keep all USB devices without limitations.

Strong Cooling Performance

MX410 Mesh-G RGB's interior space supports up to 165mm height CPU air cooler, a 240mm water cooling radiator, and high-end cooling components. It helps you to protect critical components from overheating.

Model Name	MX410 Mesh-G RGB
Model No.	CGR-SVM6B-MESH-G-RGB
Case Form Factor	Mid Tower
Motherboard Type	Mini ITX / Micro ATX / ATX
Dimension	210 (W) x 455 (H) x 380 (D) mm / 8.3 (W) x 17.9 (H) x 15 (D) Inch
I/O Panel	USB 3.0 x 2 , USB 2.0 x 2 , Mic x 1 , Audio x 1 , RGB Control Button
Case Drive Bays	3.5" : 2 max. 2.5" : 3 max.
Expansion Slots	7
Cooling Fan Support	Front : 120mm x 3 (RGB fans x 3 pre-installed) Top : 120mm x 2 Rear : 120mm x 1 (RGB fan x 1 pre-installed)
Maximum Number of Fans	6 Max. Front : 240mm* / 120mm
Water Cooling Radiator Support	Top : 240mm* / 120mm (Max. Component Height on Motherboard is 40mm) Rear : 120mm
Max. Graphics Card Length	300 (mm) / 11.8 (in) (Only fans at the front panel) 270 (mm) / 10.6 (in) (Radiator with fans at the front panel)
Max. CPU Cooler Height	165mm / 6.5inch
Max. PSU Length	160mm / 6.3inch

Specifications might vary depending on the country or region of sale.
*Please choose either of front or top to install a 240mm radiator.

FEATURES

ENGLISH

- Mesh front panel combines with excellent appearance and sufficient airflow
- Elegant design with massive tempered glass left panel
- Integrated RGB system with 5V RGB motherboard synchronization
- Support for up to six fans and a 240mm radiator
- Support for up to 300mm long graphics cards
- Support for two 3.5" HDDs and three 2.5" SSDs

DEUTSCH

- Mesh-Frontpanel kombiniert mit exzellentem Erscheinungsbild und ausreichendem Luftstrom
- Elegantes Design mit linker Abdeckung aus massivem gehärtetem Glas
- Integriertes RGB-System mit 5-V-RGB-Motherboard-Synchronisierung
- Unterstützt bis zu sechs Lüfter und einen 240-mm-Kühlkörper
- Unterstützt Grafikkarten mit einer Länge von bis zu 300 mm
- Unterstützt zwei 3,5 Zoll-Festplatten und drei 2,5 Zoll-SSDs

РУССКИЙ

- Сетчатая передняя панель отлично сочетается с внешним видом корпуса и мощным потоком воздуха
- Элегантный дизайн с массивной левой панелью из закаленного стекла
- Интегрированная система RGB подсветки с 5V синхронизацией материнской платы
- Поддержка до шести вентиляторов и 240-мм радиатора
- Поддержка видеокарт длиной до 300 мм
- Поддержка двух 3.5-дюймовых жестких дисков и трех 2.5-дюймовых SSD

ESPAÑOL

- El panel frontal de malla, realiza una excelente combinación entre apariencia y su sistema de flujo de aire
- Diseño elegante con panel izquierdo de vidrio templado
- Sistema RGB integrado con sincronización de placa base con 5V RGB
- Soporta hasta seis ventiladores y un radiador de 240mm
- Soporte para tarjetas gráficas de hasta 300mm de largo
- Soporte para dos HDD de 3.5" y tres SSD de 2.5" a

FRANÇAIS

- Le panneau avant en maille se combine avec une excellente apparence et un flux d'air suffisant
- Conception élégante avec un capot gauche en verre trempé massif
- Système RGB intégré avec synchronisation de la carte mère RGB 5V
- Prend en charge jusqu'à 6 ventilateurs et un radiateur de 240 mm
- Prend en charge les cartes graphiques jusqu'à 300 mm de longueur
- Prise en charge de deux disques durs 3.5" et trois SSD 2.5"

PORTUGUÊS

- Painel frontal Mesh combina excelente design com alto fluxo de ar
- Design elegante com painel lateral esquerdo em vidro temperado
- Sistema RGB integrado com sincronização de placa mãe de 5V RGB
- Suporta até 6 ventoinhas e radiador de 240mm
- Suporta placas gráficas de até 300mm
- Suporta até 2 HDDs de 3.5" e 3 SSDs de 2.5"

POLISH

- Siatkowy panel przedni łączy się z doskonałym wyglądem i wystarczającym przepływem powietrza
- Elegancki wygląd dzięki lewej pokrywie z litego szkła hartowanego
- Zintegrowany system RGB zsynchronizowany z płytą główną przez złącze RGB 5V
- Obsługa maksymalnie 6 wentylatorów i radiatora do 240 mm
- Możliwość montażu kart graficznych o długości do 300 mm
- Obsługa dwóch dysków twardej 3,5" i trzy SSD 2,5"

한국어

- 우수한 외관과 충분한 공기 흐름이 결합 된 Mesh 전면 패널
- 강력한 강화 유리 좌측 덮개가 있는 우아한 디자인
- 5V RGB 마더 보드 동기화 기능이있는 통합 RGB 시스템
- 최대 6 개의 팬 및 240mm 라디에이터 지원
- 최대 300mm의 긴 그래픽 카드를 지원
- 3.5" HDD 2개와 2.5" SSD 3개

日本語

- フロントパネルはメッシュ設計で、優れた外観と十分な通気性を備えています
- 強化ガラスウィンドウでPCの内部が見えるので内部のパーツを引き立てます
- RGBシステムは5VのマザーボードのRGB効果に同期します
- 最大6つのファンと240mmの水冷ラジエーターを搭載可能です
- 最大300mmグラフィックカードに対応できます
- 2つの3.5インチのHDDと3つの2.5" SSDを装着できます

中文

- 铁网面板结合美观设计与畅通气流
- 高雅设计与全钢化玻璃左侧盖
- RGB整合系统支援5V主板板灯同步控制功能
- 最高可支援6个风扇与240mm的水冷散热器
- 支援长达300mm的显卡
- 支持2个3.5" HDD硬盘与3个2.5" SSD硬盘

ACCESSORY KIT

		3.5" HDD screws	X 8
		Motherboard screws and 2.5" SSD screws	X 17
		Power supply screws	X 12
		Stand-off	X 3
		Fan screws	X 8
		Cable ties	X 6

GLOBAL WARRANTY POLICY

WARRANTY PERIODS OF COUGAR GAMING DEVICES

Product : COUGAR MX410 Mesh-G RGB

Warranty : 1 Year

• This warranty gives you specific legal rights. You may also have other rights granted under local law. These rights may vary.

• Only for electrical components.

ДАТА ИЗГОТОВЛЕНИЯ ПРОДУКЦИИ

год и месяц изготовления продукции указаны в серийном номере продукта. (существует 2 способа определения даты изготовления, оба способа описаны ниже)

A После S/N: первые две цифры означают год, вторые две – месяц изготовления.

Например, S/N: H1702000001 означает, что товар был произведен в феврале 2017 года.

B После S/N: если указаны буквы, то две буквы представляют цифры из таблицы ниже, и означают год, следующие две цифры – месяц изготовления.

Например, S/N: DAG02REV1000001 означает, что товар был произведен в феврале 2017 года.


A	B	C	D	E	F	G	H	I	J
1	2	3	4	5	6	7	8	9	0

• Например,
AG = 17 = 2017 год

БЪЛГАРИЯ

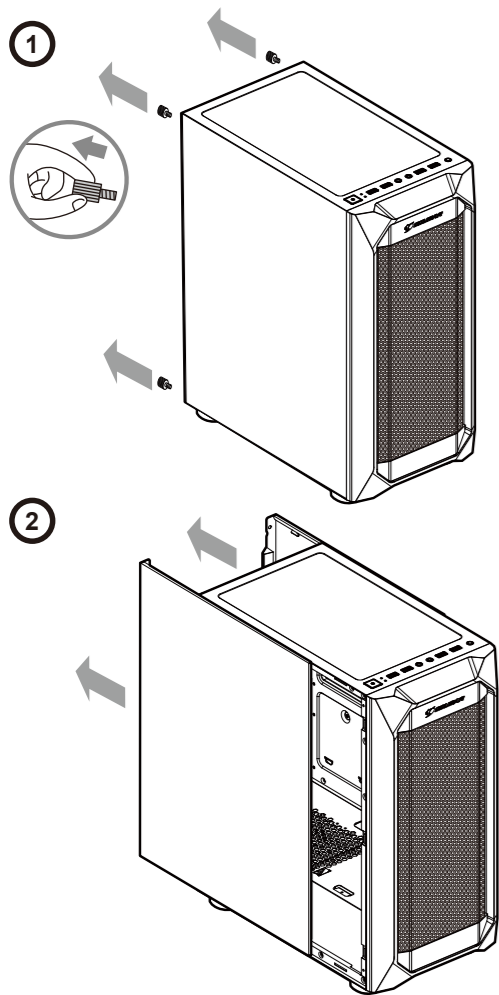
• Подробни инструкции за употреба изтеглете от: <https://cougargaming.com/bg>

Тегилет на продукта и безопасност:
 - عند التركيب أو التفتيح يجب التأكد من أن جميع الأسلاك موصولة عن الكهرباء.
 - يجب اتخاذ الاحتراوات اللازمة لمنع الصعق الكهربائي.
 - يجب ارتداء الملابس المناسبة أثناء تركيب/ تجميع الكمبيوتر.
 - يجب تركيب كل قطعة بحذر و במקائها المناسب.
 - من يقوم بعملية التركيب الشخص المختص فقط.

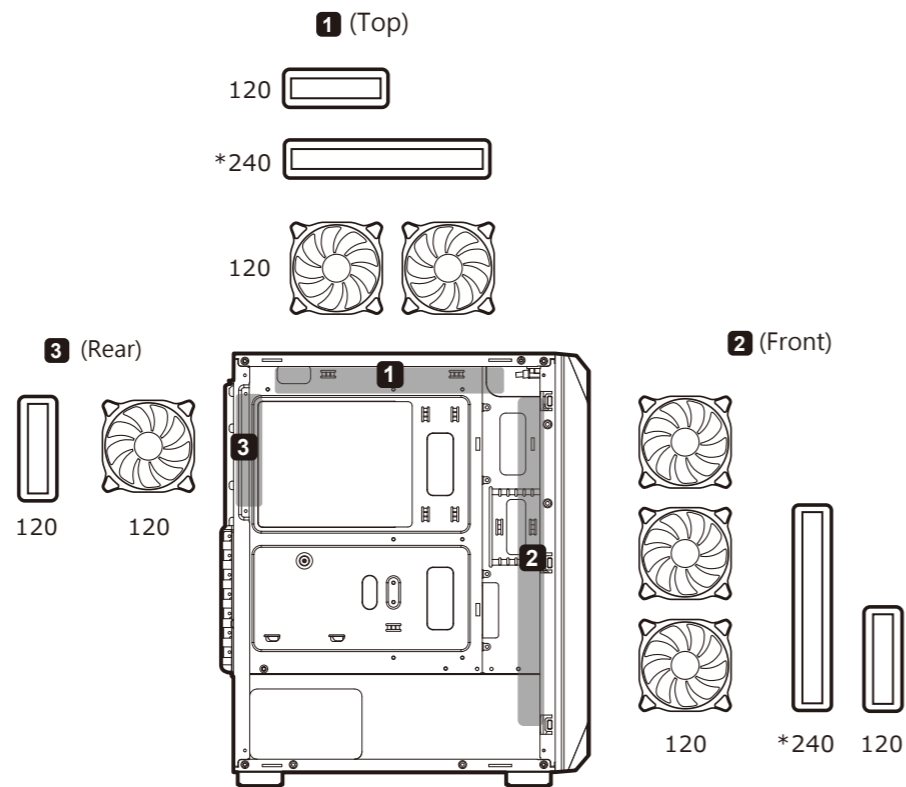


България QR код

Removing side panels

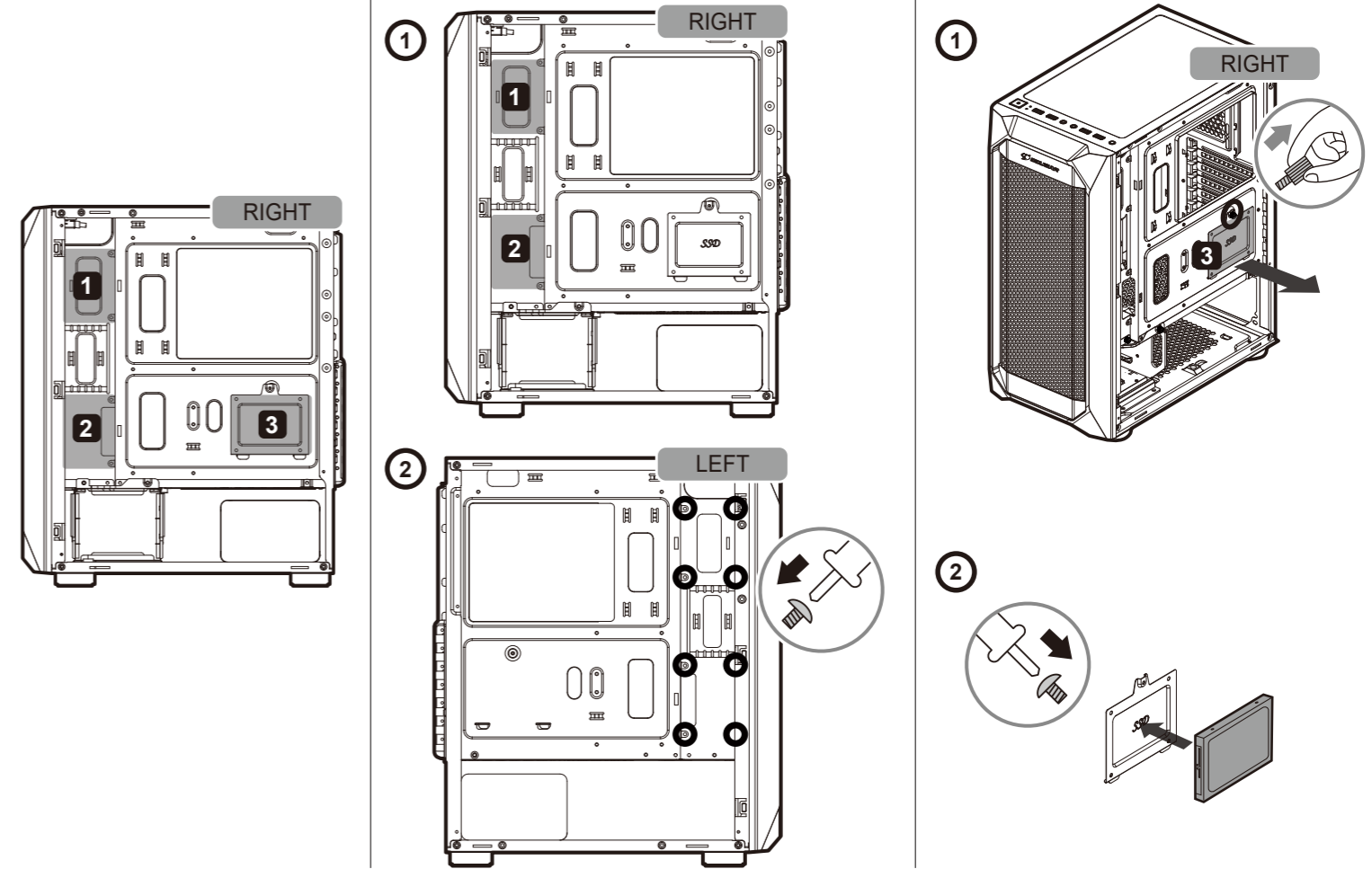


Installing water cooling radiators & cooling fans

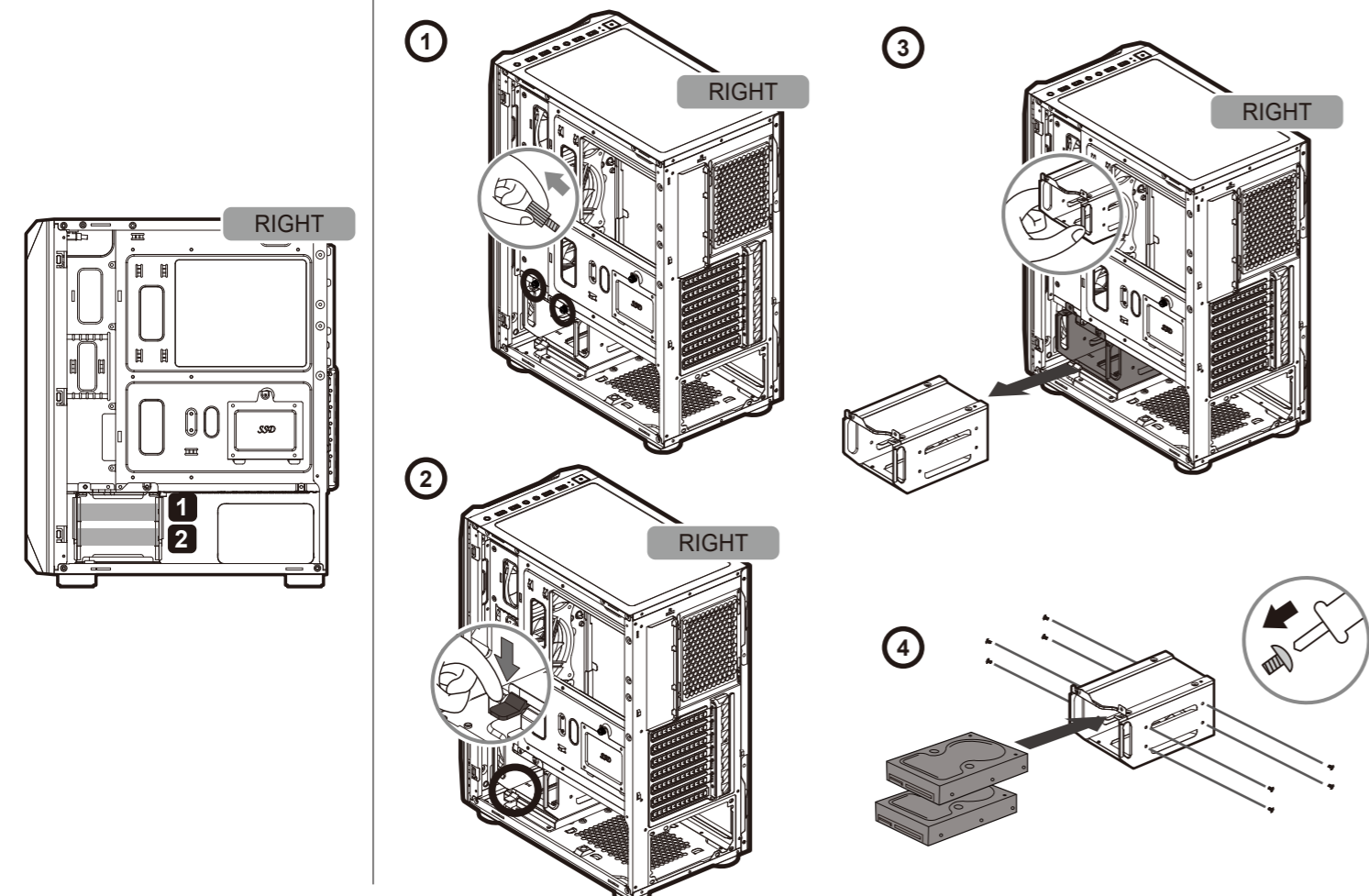


* Please choose either of front or top to install a 240mm radiator.
* Max. component height on motherboard is 40mm.

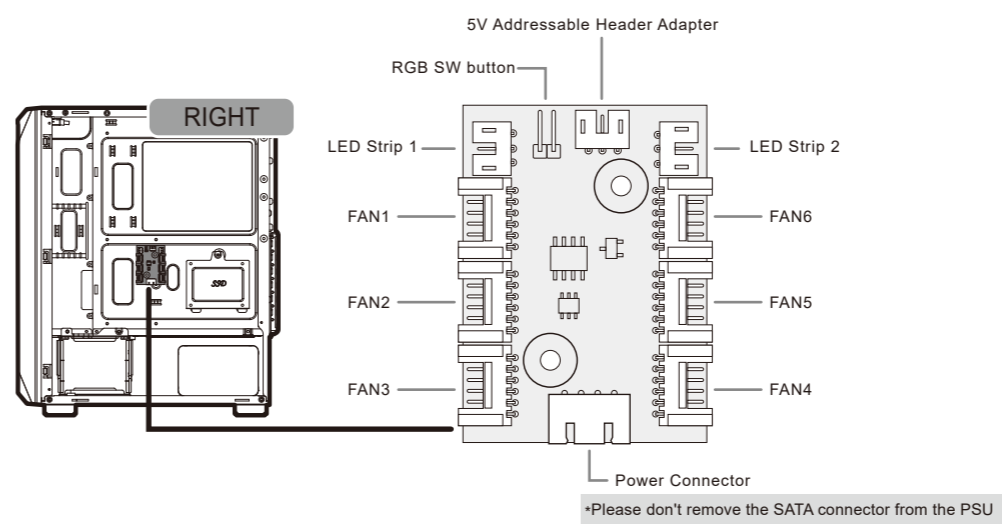
Installing the internal 2.5" SSDs



Installing the internal 3.5" HDDs



Controlling lighting modes



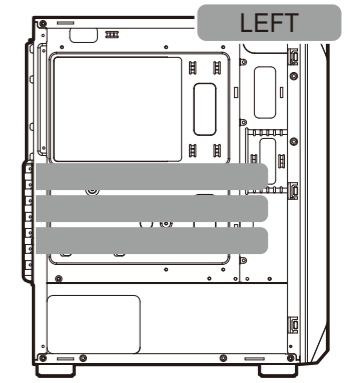
■ **First Mode: 16 Preset Lighting Effects**
You can use the front panel's RGB SW button to switch between the sixteen beautiful lighting effects we have preset for you.

■ **Second Mode: Motherboard Synchronization**
Please use the included adaptor to connect to a compatible motherboard's 3-pin 5V Addressable RGB header. Then, press and hold the RGB SW button for 3-5 seconds.

※ If you press the RGB SW button for 1 second again. It will be returned to the First mode: 16 Preset Lighting Effects



Installing PCI-E cards



■ Support for graphics card up to 300mm-long
* 300 (mm) / 11.8 (in) (Only fans at the front panel)
* 270 (mm) / 10.6 (in) (Radiator with fans at the front panel)

COUGAR USA Technical Service
Tel: (833) 256-3778
Mail: rma@compucaseusa.com
<https://cougargaming.com/support/contact/upload/>

Compucase Enterprise Co.,Ltd.
No. 225, Lane 54, An Ho Road Sec. 2 Tainan, Taiwan, R.O.C
Tel:+886-6-356-0606
Service E-Mail:service@cougargaming.com

For more information, please visit www.cougargaming.com
Compucase Enterprise Co.,Ltd.
All rights reserved. Made in China