



The QBX's elegant, hairline surface front panel is the face of an ultra-compact case with one of the most stylish designs a pc case has ever seen. With the ability to house a full powered gaming computer with the latest technology, it allows the user to install up to 7 fans, thus providing the absolute best cooling on the market for a case of its kind.

Enjoy full gaming and media capabilities wherever you want.



QBX



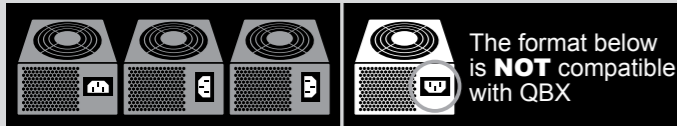
Ultra-Compact Pro Gaming Mini-ITX Case

ATTENTION

Supports ONLY Slot Loading Slim ODD

IMPORTANT

QBX's ultra-compact format requires a Power Supply Unit that conforms to certain format standards. Please pay attention to a Power Supply Unit's AC Socket and Plug's orientation and confirm it corresponds to one of the formats defined in the pictures below.



YES

NO

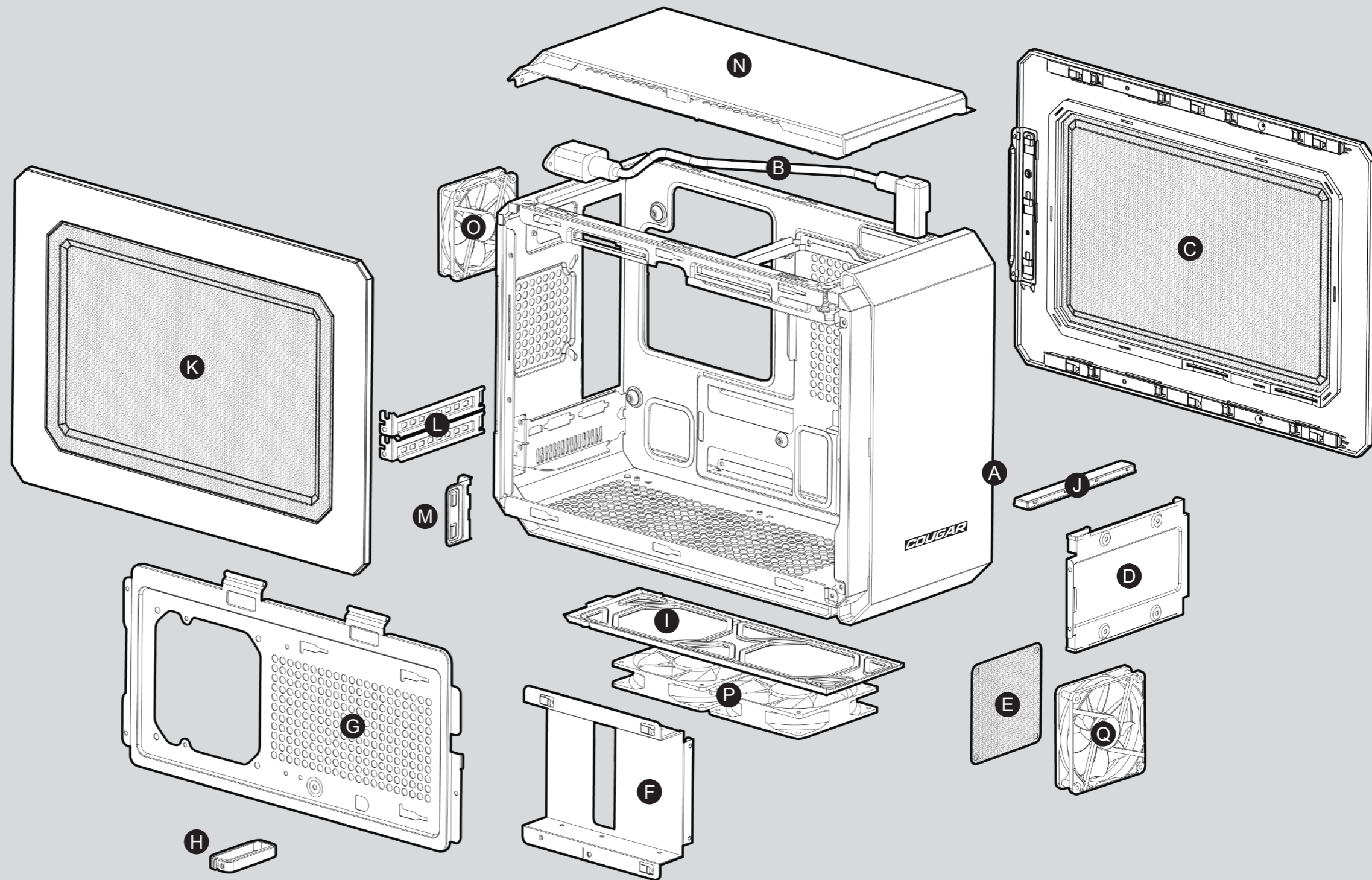
Accessory Kit

	Power Supply Screws	X 4
	MBD/HDD screws	X 8
	SSD/ 12.7mm ODD screws	X 8
	9.5mm ODD screws	X 4
	Short fan screws	X 8
	Long fan screws	X 12
	Cable Ties	X 2
	9.5mm ODD bracket	X 2

Compucase Enterprise Co.,Ltd.
No. 225, Lane 54, An Ho Road Sec. 2 Tainan,
Taiwan, R.O.C
Tel:+886-6-356-0606
Service E-Mail: service@cougargaming.com

More information you will find at cougargaming.com
Compucase Enterprise Co.,Ltd.
All rights reserved.
www.cougargaming.com

Assembly Drawing



A USB 3.0 (two ports): Enjoy the full power of new generation peripherals.

B Power cord extension to allow the power supply, connected through QBX 's backside, to reach the PSU (located inside the case).

C Removable right side panel to easily manage cables behind the motherboard tray.

D ODD bay cage (compatible with both slim ODD and 2.5" HDD/SSD).

E Front fan filter to prevent dust entry into the chassis.

F HDD bay cage supports two 2.5" HDD/SSD and one 3.5" HDD at the same time.

G Cage holder supports:
If the HDD bay cage **F** is not installed: An up to 240mm radiator with/or a single 120mm fan.
If the HDD bay cage **F** is installed: a 120mm fan.

H Power bracket to fix the PSU.

I Air filter for the bottom cover to prevent dust from entering the case.

J Rubber cover to prevent dust from entering the opening if a Slim ODD has not been installed.

K Left side mesh cover with ventilation exits.

L Vented slot covers for better cooling performance.

M Slot Side Cover.

N Removable top cover to easily install PSU and 2 x 120mm fans.

O 1x (pre-installed) 90mm Rear Panel Fan to rapidly exhaust the hot air from the inside and keeping the case cool.

P 2x (optional, purchased separately) 120mm bottom Cover Fans for effective graphics cards cooling.

Q 1x (optional, purchased separately) 80mm Front Panel Fan for effective cooling of HDDs and graphics cards.