

Picture is for reference only

# AHT200

User's Manual  
Benutzerhandbuch  
Mode d'emploi  
Manual del usuario  
Manuale dell'utente  
Manual do Utilizador

安裝說明書  
用戶手冊  
ユーザーズマニュアル  
Руководство пользователя  
kullanıcı elkitabı  
(EEE Yönetmeliğine Uygundur)  
คู่มือการใส่



© 2020 Thermaltake Technology Co., Ltd. All Rights Reserved. A-2020.09  
All other registered trademarks belong to their respective companies. [www.thermaltake.com](http://www.thermaltake.com)



## TT Premium



### TT Premium

To continue achieving the corporate mission of delivering the perfect user experience, Thermaltake developed "TT Premium" with the essence of combining supreme quality products with a new logo design. TT Premium is far more than just a guarantee of quality. Behind the name, it represents the passion in DIY, Modding and Thermaltake's desire to be the most innovative brand in the PC hardware market. To satisfy the demand of the high-end PC users, TT Premium follows its core values of Excellent Quality, Unique Design, Diverse Combinations and Boundless Creativity to provide a high performance PC product for every enthusiast. <http://tppremium.com>

## Tt LCS-Liquid Cooling Support Certification



Tt LCS Certified is a Thermaltake exclusive certification applied to only products that pass the design and hardcore enthusiasts standards that a true LCS chassis should be held to. The Tt LCS certification was created so that we at Thermaltake can designate to all power users which chassis have been tested to be best compatible with extreme liquid cooling configurations to ensure you get the best performance from the best features and fitment.

## Join Tt Community To Receive Benefits



Dear Valued Customer,  
Thank you for choosing Thermaltake.  
As a new user we value your thoughts and opinions and your feedback is important to us. We at Thermaltake would like to use this opportunity to invite you to join our Community Forums. Register today to start enjoying the full benefits of our community.



Benefits of being a member:

- Quick and responsive user support
- Receive help and advice with new builds
- Keep up to date with new product releases
- Share your thoughts and builds with the community
- Enter monthly contests and giveaways

**Brand official website**  
<http://www.thermaltake.com/>

**Global Facebook**  
<https://www.facebook.com/ThermaltakeInc>

**Taiwan Facebook**  
<http://www.facebook.com/ThermaltakeTW>

**Global community forums**  
<http://community.thermaltake.com>

# CONTENTS





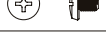



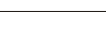
## Chapter 1. Product Introduction

1.0	Specification .....	01
1.1	Accessory .....	01
1.2	Warning and Notice .....	02

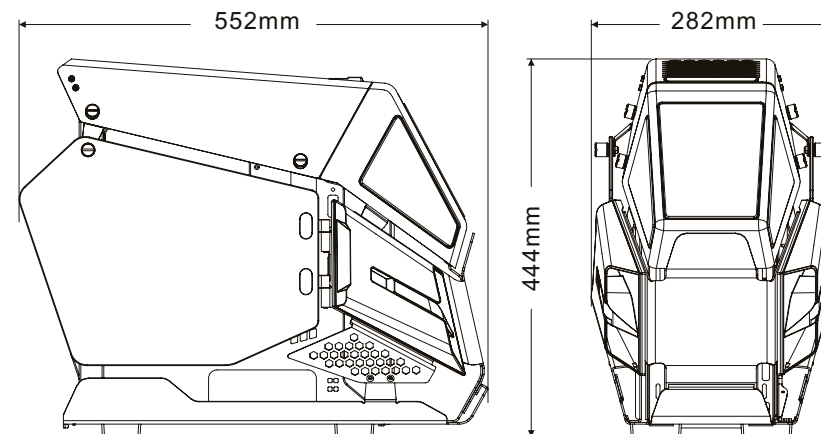
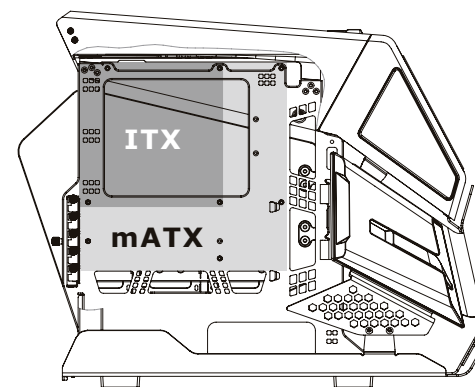
## Chapter 2. Installation Guide

2.0	Remove Components .....	05
2.1	Power Supply Unit (PSU) Installation .....	07
2.2	Motherboard Installation .....	08
2.3	3.5" & 2.5" HDD Installation .....	09
2.4	PCI Card Installation .....	11
2.5	Air Cooling Installation .....	12
2.6	AIO Liquid Cooling Installation .....	13
2.7	I/O Connection .....	14

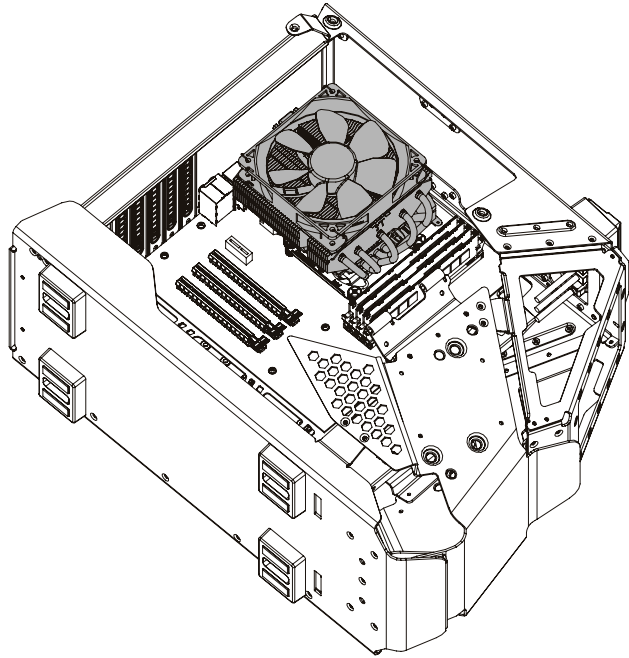
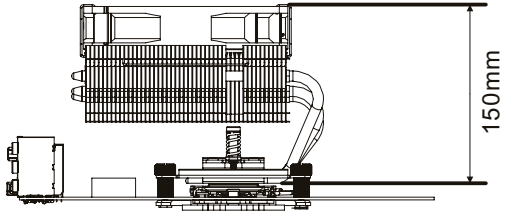
Case Type	Micro Case
Dimension (HxWxD)	444 x 282 x 552 mm (17.5 x 11.1 x 21.7 inch)
Side Panel	Tempered Glass x 2
Material	SPCC
Drive Bays	
- Accessible	2 x 3.5" or 3 x 2.5"
- Hidden	-
Expansion Slots	5
Motherboards	6.7" x 6.7" (Mini ITX), 9.6" x 9.6" (Micro ATX)
I/O Port	1 x Type-C, 2 x USB 3.0, 1 x HD Audio
PSU	Standard PS2 PSU (optional)
Fan Support	Front : 2 x 120mm or 1 x 120mm 2 x 140mm or 1 x 140mm Top : 2 x 120mm or 1 x 120mm 2 x 140mm or 1 x 140mm
Radiator Support	Front : 1 x 240mm , 1 x 120mm 1 x 280mm , 1 x 140mm

Figure	Part Name	Q'ty	Used For
	Scrwe #6-32 x 6.0mm	4	Power Supply
	Nut Setter	1	Motherboard Stand-off Installation
	Stand-off #6-32 x 6.5mm	2	Motherboard
	Buzzer	1	Motherboard Alarm
	Scrwe #6-32 x 6.0mm	18	Motherboard 3.5" HDD
	Screw M3 x 5mm	20	2.5" HDD SSD
	Rubber Pad	8	2.5" HDD SSD
	Screw #6-32 x 29mm	8	Top Fan
	Cable Ties	10	Cable Management

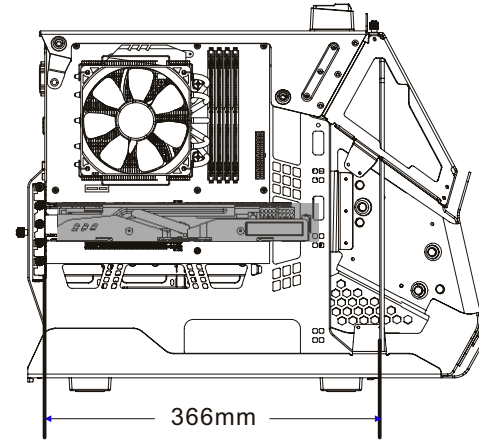
## Chassis dimension

Motherboard Compatibility: mATX / ITX  
(up to 285 mm wide)

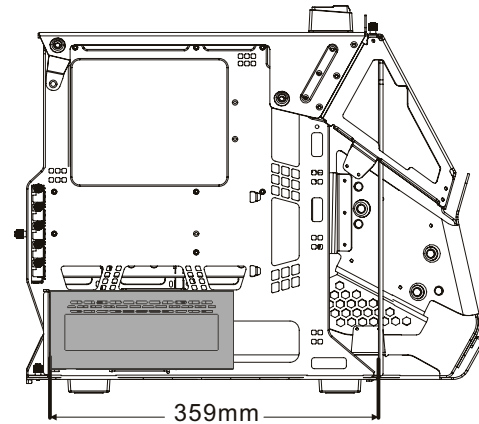
CPU cooler max height: 150mm

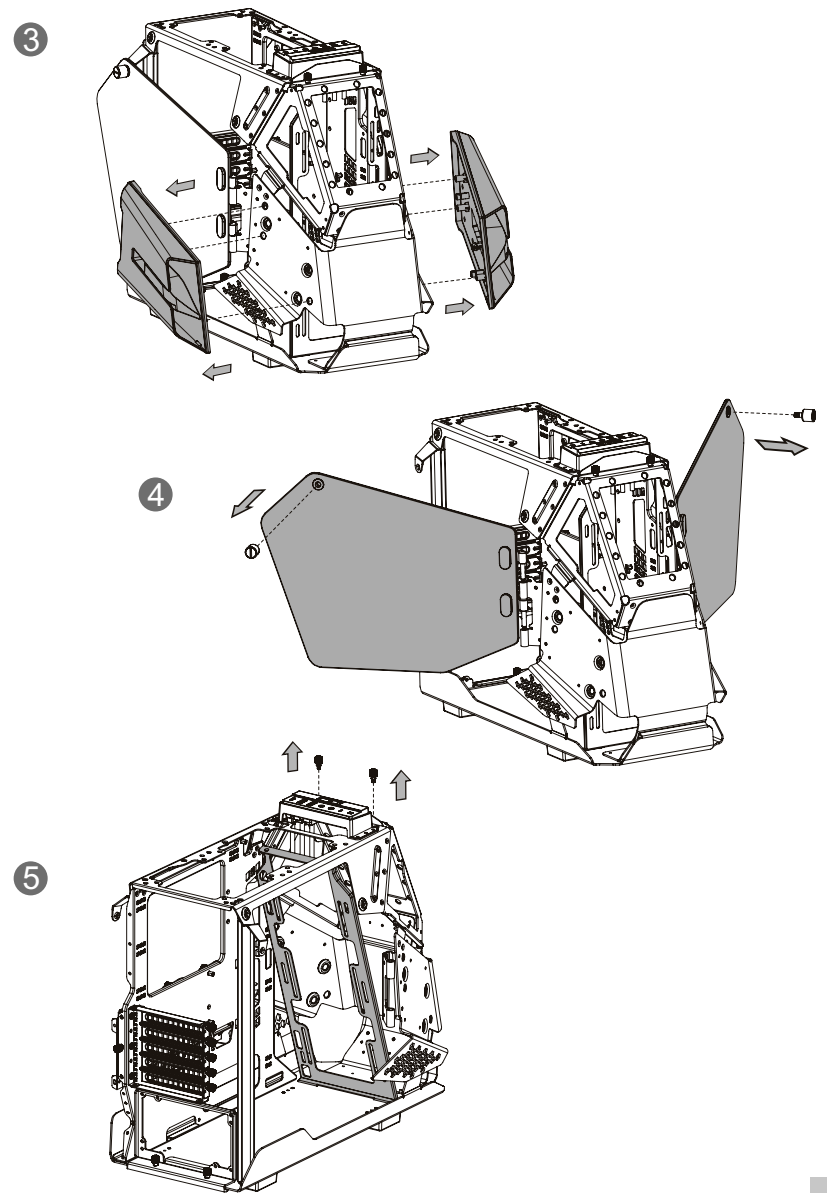
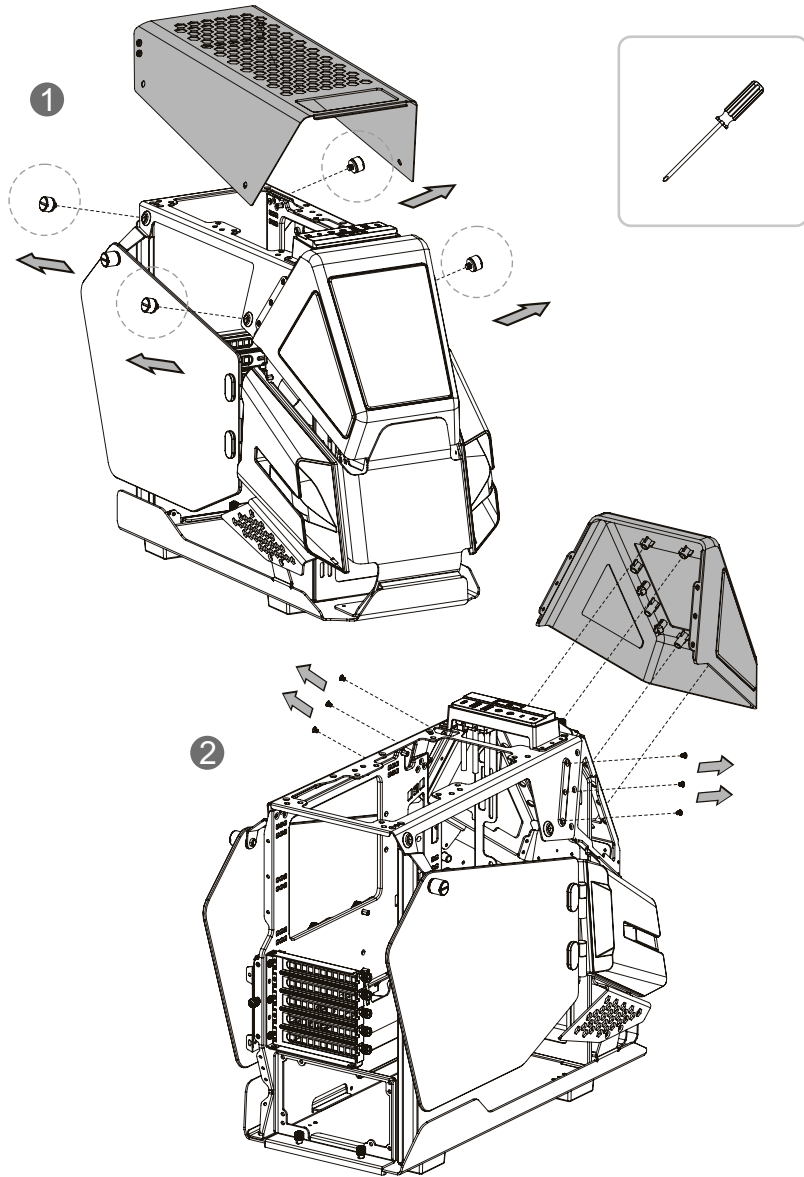


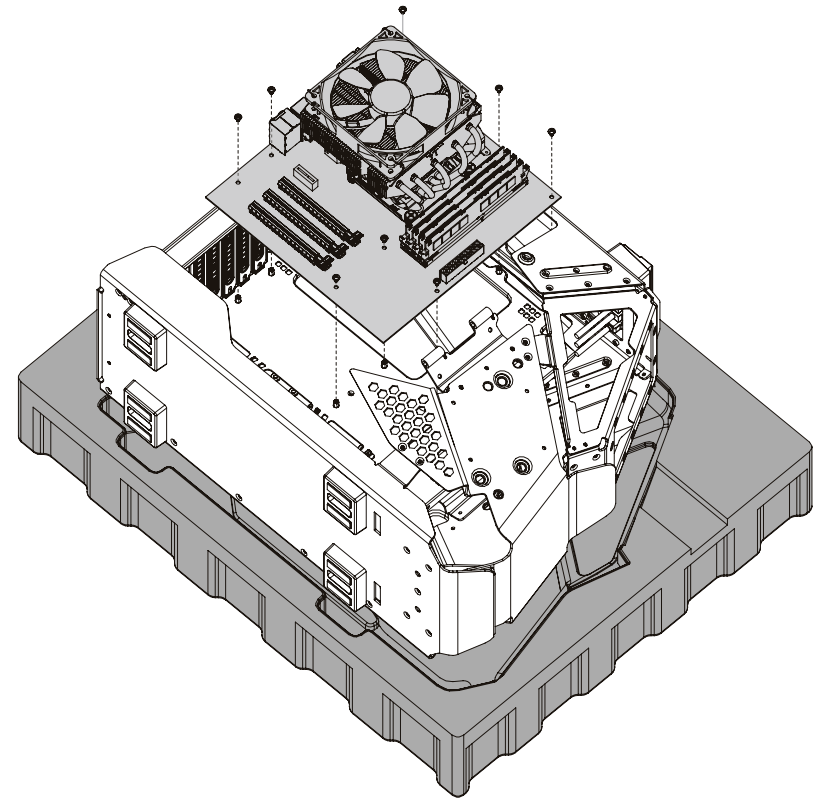
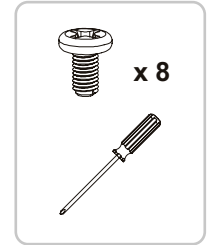
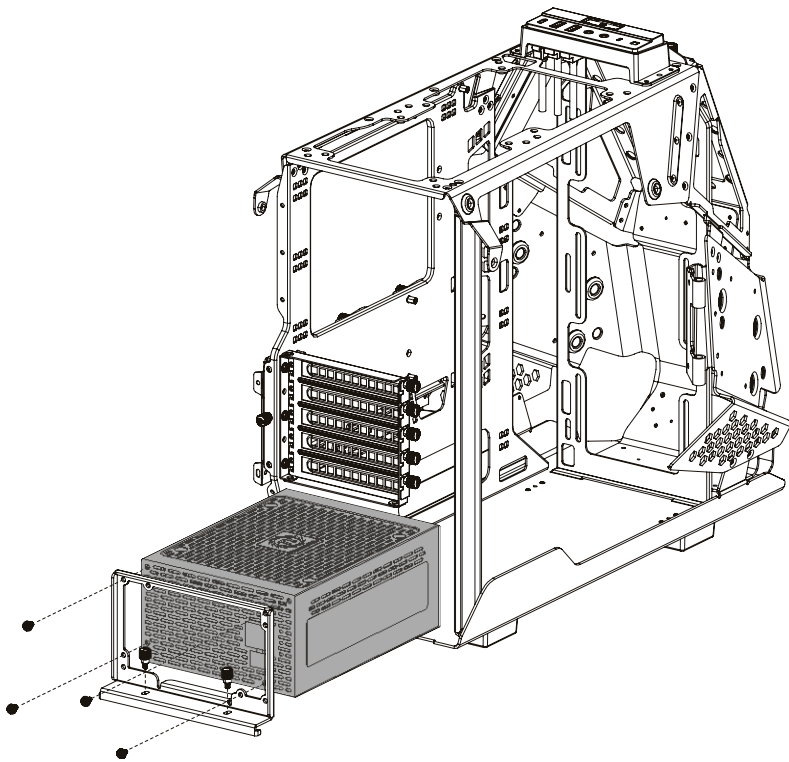
VGA length max length: 320mm

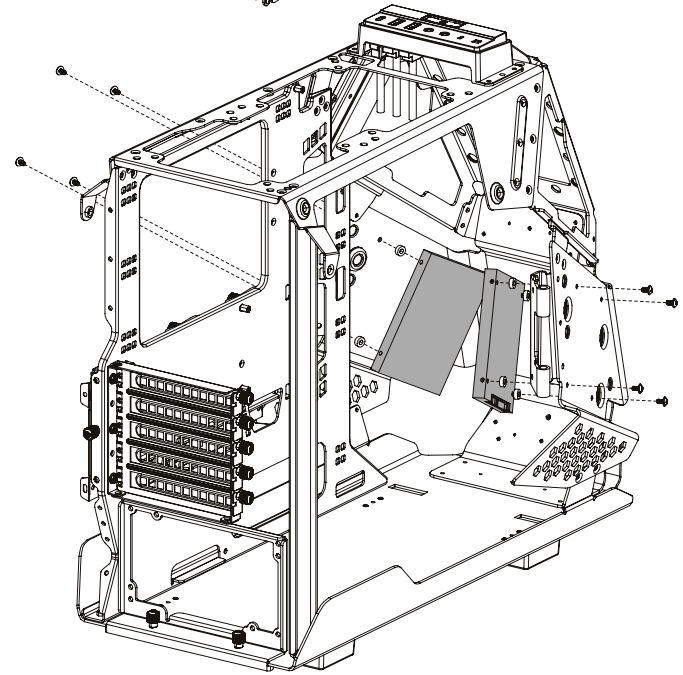
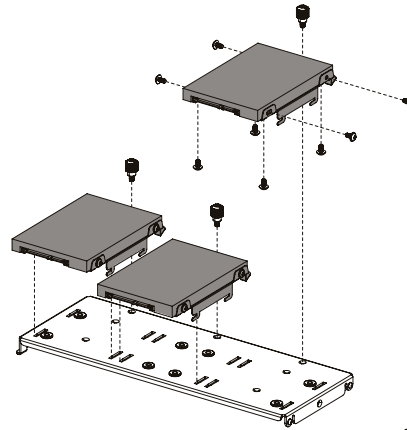
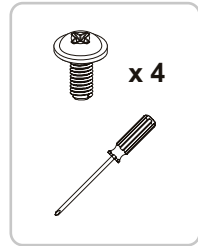
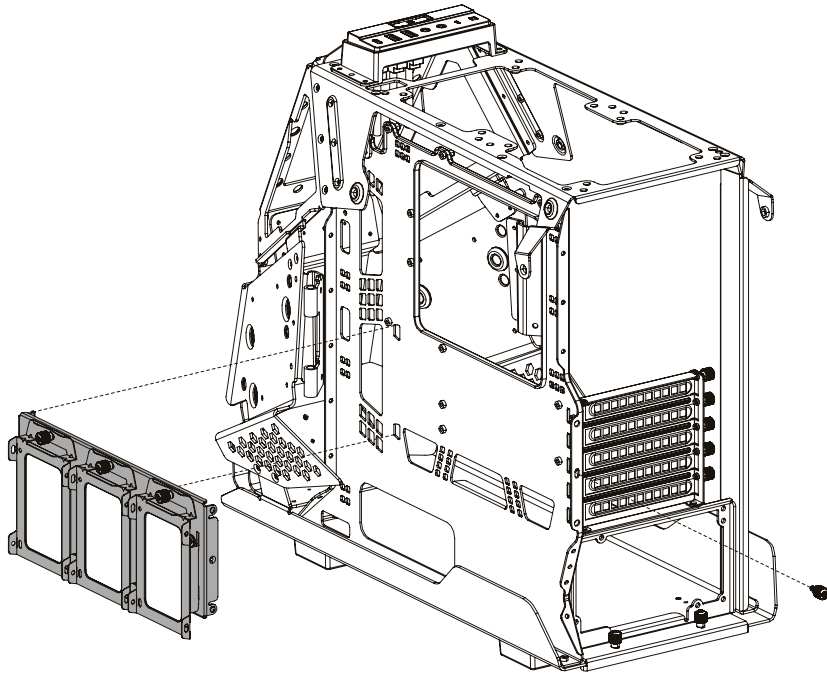
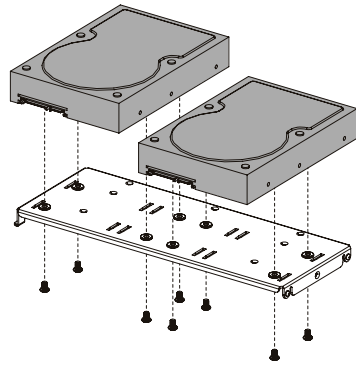
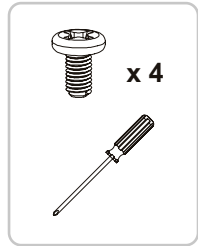


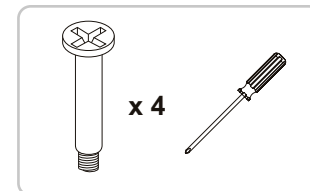
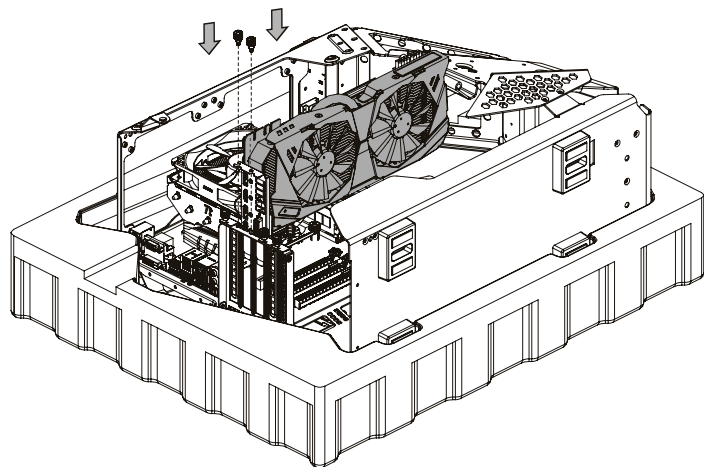
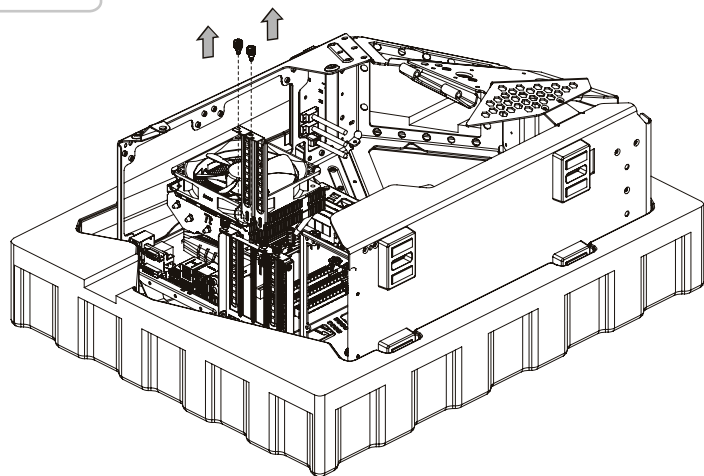
PSU max length: 180mm



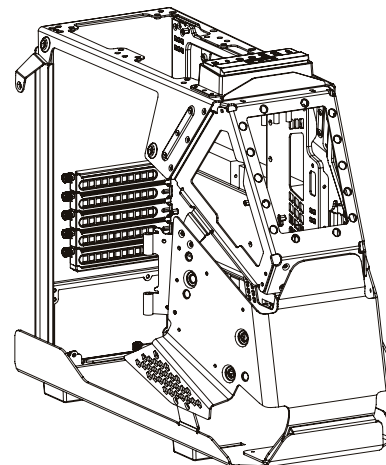




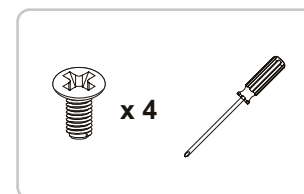
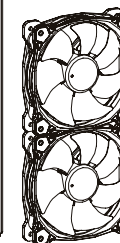
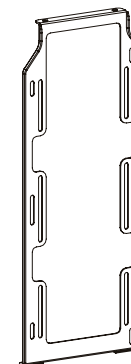


**Top**

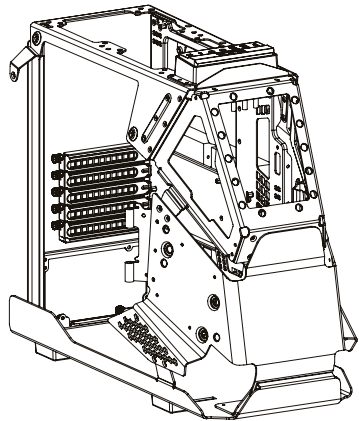
120mm x 2  
or  
140mm x 2

**Front**

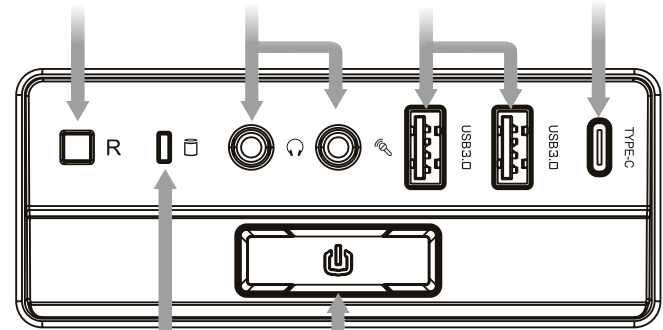
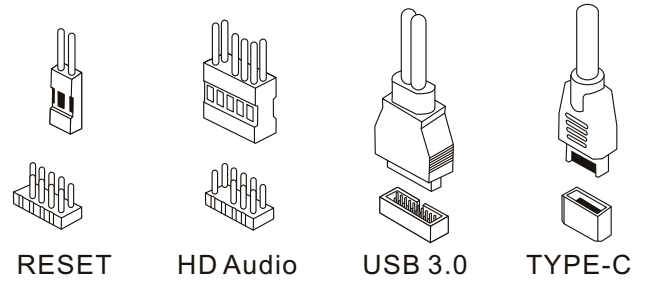
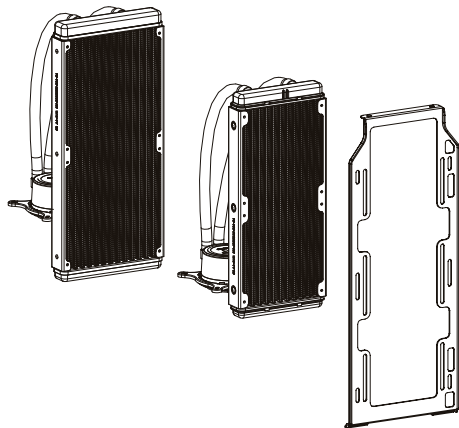
120mm x 2  
or  
140mm x 2







**Front**  
240mm x 1  
or  
280mm x 1



Power SW / Power LED / HDD LED

