
项目名称

R2449R- 俄版

版本号

A00

设计时间

2024/04/11

物料名称

说明书

设计师

王玉婷

审核

批准

料号

04170500002769

材质工艺要求:

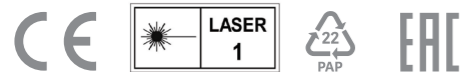
材质要求: 胶装 封面: 157g 哑粉纸, 单面过油, 内页: 68 晨鸣云镜

颜色及专色: 四色印刷

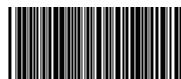
尺寸要求: 210mm*140mm

变更履历:

The word "dreame" is the abbreviation of Dreame Technology Co., Ltd. and its subsidiaries in China. It is the transliteration of the company's Chinese name "追觅", which means striving for excellence in every endeavor and reflects the company's vision of continuous pursuit, exploration and search in technology.



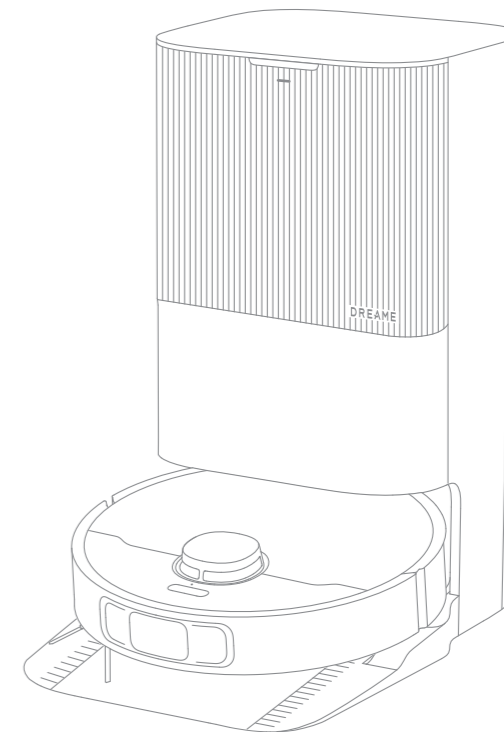
For more support, contact us via <https://global.dreame.tech.com>
Manufactured by: Dreame Trading (Tianjin) Co., Ltd.
Made in China



RU-A00
04/2024

Dreame X40 Ultra Complete

Robot Vacuum and Mop with
Auto-Empty and Mop Self-Cleaning
User Manual



The illustrations in this manual are for reference only. Please refer to the actual product.

DREAME

Contents

EN	User Manual	01
RU	Инструкция по эксплуатации	29

Safety Information

To avoid electric shock, fire or injury caused by improper use of the appliance, please read the user manual carefully before using the appliance and keep it for future reference.

Usage Restrictions

- This product should not be used by children younger than 8 years old nor persons with physical, sensory, intellectual deficiencies, or limited experience or knowledge without the supervision of a parent or guardian to ensure safe operation and to avoid any risks. Cleaning and maintenance shall not be performed by children without supervision.
- The appliance is only to be used with the power supply unit provided with the appliance.
- This appliance contains batteries that are only replaceable by skilled persons.
- Clear the area to be cleaned. Children shall not play with the appliance. Ensure children and pets are kept at a safe distance from the robot while it is operating.
- Do not install, charge or use the appliance in the bathrooms or around the pools.
- This product is for floor cleaning in a home environment only. Do not use it outdoors, on non-floor surfaces, or in a commercial or industrial setting.
- Ensure that the appliance operates correctly in a proper environment. Otherwise, do not use the appliance.
- If the power cord is damaged, it must be replaced by a special cord or assembly available from the manufacturer or its service agent.

Safety Information

Usage Restrictions

- Do not use the robot in an area suspended above ground level without a protective barrier.
- Do not place the robot upside down. Do not use the LDS cover, robot cover, or bumper as a handle for the robot.
- Use the robot in environments with an ambient temperature above 0°C and below 40°C. Make sure there is no liquid or sticky substance on the floor.
- To prevent damage or harm from dragging, clear any loose objects from the floor, and remove cables or power cords on the cleaning path before operating the appliance.
- Remove fragile or small items from the floor to prevent the robot from bumping into and damaging them.
- Keep hair, fingers, and other body parts away from the suction opening of the robot.
- Keep the cleaning tool out of reach of children.
- Do not operate the appliance in a room where an infant or child is sleeping.
- Do not place children, pets, or any item on top of the robot regardless of whether it is stationary or moving.
- Only clean water and the officially-approved cleaning solution can be added to the clean water tank. Do not add any other liquid such as alcohol or disinfectant. The ratio of the cleaning solution to clean water can be checked on the cleaning solution bottle. Keep the cleaning solution out of reach of children.

Safety Information

Usage Restrictions

- Do not use the robot to clean any burning objects. Do not use the robot to pick up flammable or combustible liquids, corrosive gases, or undiluted acids or solvents.
- Do not vacuum hard or sharp objects. Do not use the appliance to pick up objects such as stones, large pieces of paper or any item that may clog the appliance.
- Plug must be removed from the socket-outlet before cleaning or maintaining the appliance.
- Do not wipe the robot or the base station with a wet cloth or rinse them with any liquid. After cleaning washable parts, fully dry the parts before reinstalling and using them.
- Please use this product in accordance with the instructions in the User Manual. Users are responsible for any loss or damage that arise from improper use of this product.

Batteries and Charging

- Do not use any third-party battery or base station. The robot can only be used with the model RCXE0307 base station.
- Do not attempt to disassemble, repair, or modify the battery or the base station on your own.
- Do not place the base station near a heat source.
- Do not use a wet cloth or wet hands to wipe or clean the base station's charging contacts.

Safety Information

Batteries and Charging

- Do not improperly dispose of old batteries. Unneeded batteries should be discarded at an appropriate recycling facility.
- If the power cord becomes damaged or broken, stop using it immediately and contact after-sales service.
- Make sure the robot is turned off when being transported and kept in its original packaging if possible.
- If the robot will not be used for an extended period of time, fully charge it, then turn it off and store it in a cool, dry place. Recharge the robot at least once every 3 months to avoid over-discharging the battery.

Laser Safety Information

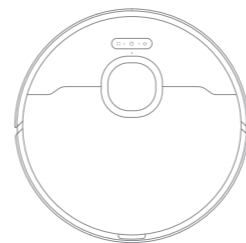
- The laser sensor in this product meets the IEC 60825-1:2014/EN 60825-1:2014/A11:2021 Standard for Class 1 laser products. Please avoid direct eye contact with it during use.

CLASS 1 LASER PRODUCT
CONSUMER LASER PRODUCT
EN 50689:2021

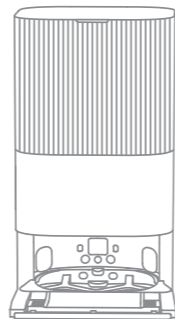
Hereby, Dreame Trading (Tianjin) Co., Ltd. declares that the radio equipment type RLX63CE-2 is in compliance with Directive 2014/53/EU. The full text of the EU declaration of conformity is available at the following internet address: <https://global.dreameotech.com>
For detailed e-manual, please go to <https://global.dreameotech.com/pages/user-manuals-and-faqs>

Product Overview

Package Contents

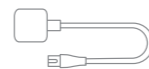


Robot



Base Station

Other Accessories



Power Cord



User Manual

Base Station Ramp
Extension PlateAuto-Detergent
Compartment
(pre-installed)

Cleaning Tool

Mop Pad × 2
(pre-installed)Mop Pad
Holder × 2Dust Bag × 2
(1 pre-installed)

Extra Accessories Kit



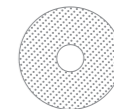
Main Brush × 1



Side Brush × 2

Dust Box's Filter
× 3

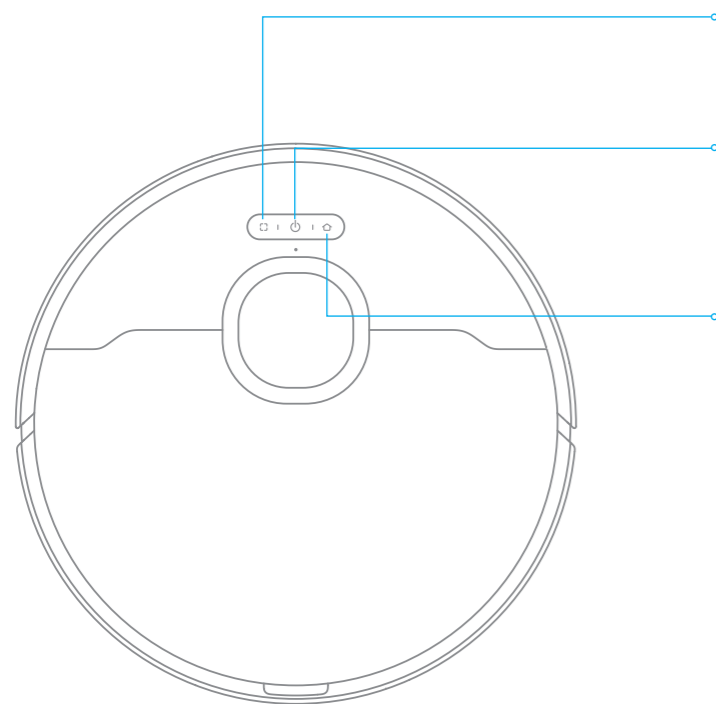
Dust Bag × 3



Mop Pad × 12

Cleaning Solution
× 1

Robot



Spot Cleaning Button
 · Press to start spot cleaning

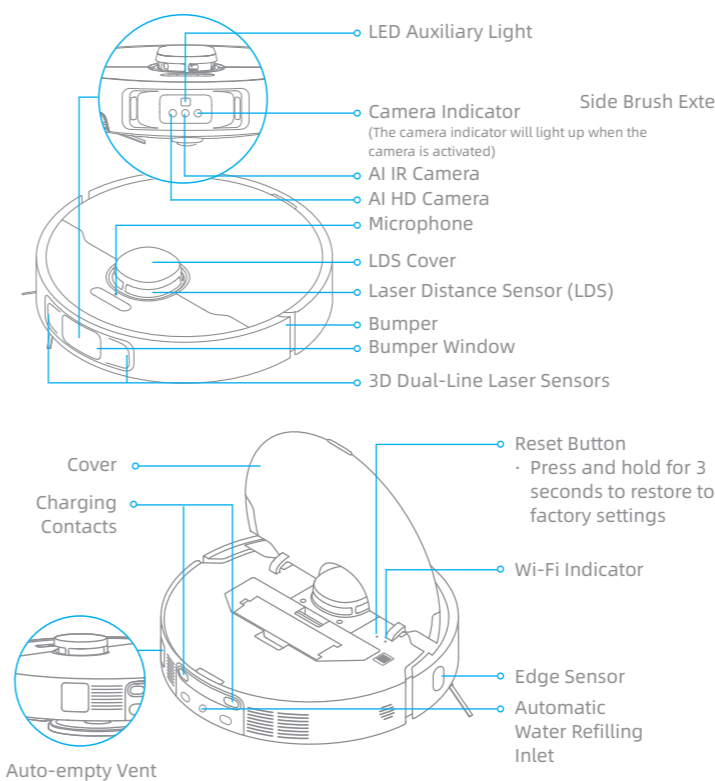
Power / Clean Button
 · Press and hold for 3 seconds to turn on or off
 · Press to start cleaning after the robot is turned on

Dock Button
 · Press to send the robot back to the base station
 · Press and hold for 3 seconds to disable Child Lock

Status Indicator
 · Solid White: Cleaning or cleanup completed
 · Breathing White: Charging (not low battery)
 · Solid Orange: Standby at low battery or paused at low battery
 · Breathing Orange: Charging (low battery)
 · Blinking Orange: Error

Note:
 · Press any button on the robot to pause while the robot is cleaning or returning to charge.
 · Child Lock can be enabled/disabled through the Dreamehome App.

Robot and Sensors



LED Auxiliary Light

Camera Indicator
 (The camera indicator will light up when the camera is activated)

AI IR Camera

AI HD Camera

Microphone

LDS Cover

Laser Distance Sensor (LDS)

Bumper

Bumper Window

3D Dual-Line Laser Sensors

Reset Button

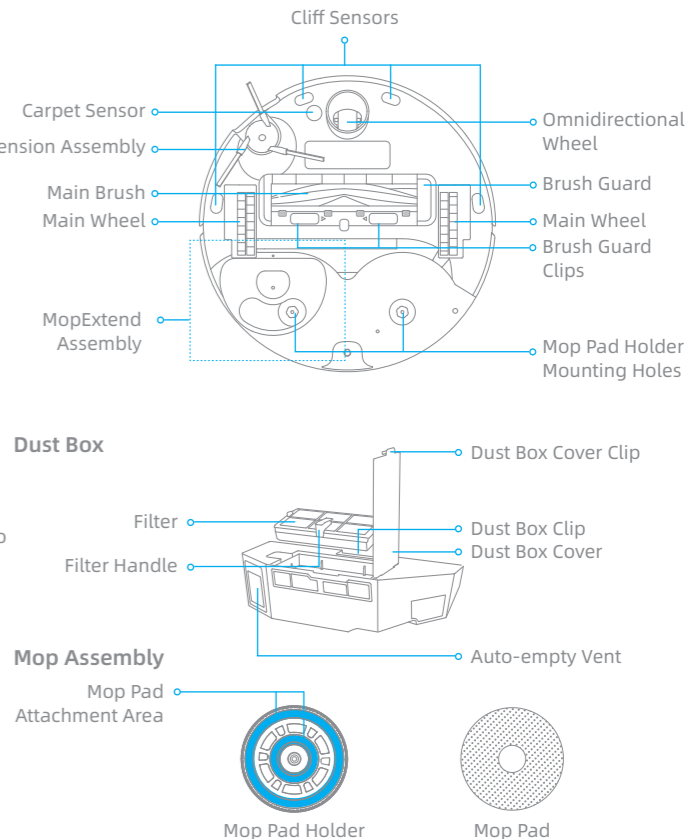
· Press and hold for 3 seconds to restore to factory settings

Wi-Fi Indicator

Edge Sensor

Automatic Water Refilling Inlet

Auto-empty Vent



Cliff Sensors

Carpet Sensor

Side Brush Extension Assembly

Main Brush

Main Wheel

MopExtend Assembly

Omnidirectional Wheel

Brush Guard

Main Wheel

Brush Guard Clips

Mop Pad Holder Mounting Holes

Dust Box

Dust Box Cover Clip

Filter

Filter Handle

Dust Box Clip

Dust Box Cover

Mop Assembly

Auto-empty Vent

Mop Pad Attachment Area

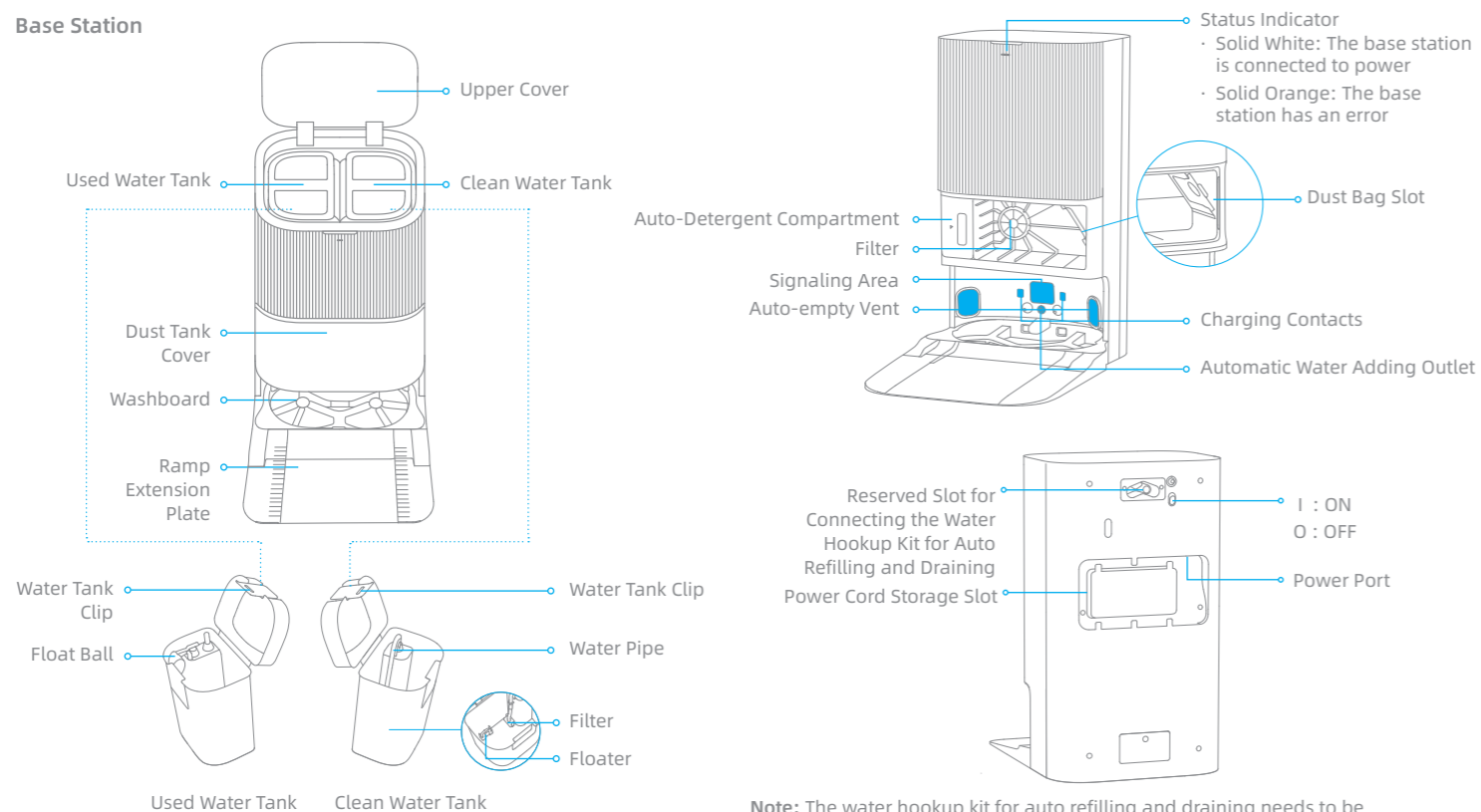
Mop Pad Holder

Mop Pad

Mop Pad

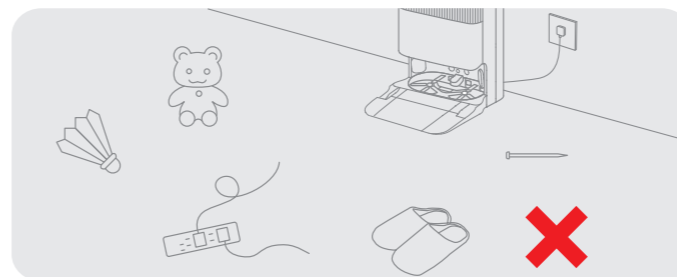
Mop Pad

Base Station

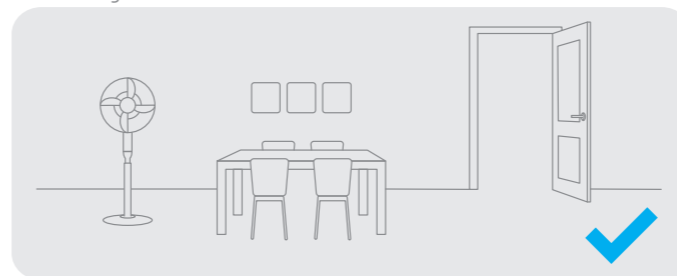


Note: The water hookup kit for auto refilling and draining needs to be purchased separately. (Only available in specific regions)

Preparing Your Home



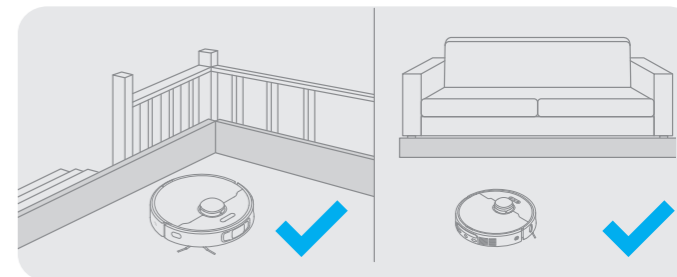
Before cleaning, please move away unstable, fragile, valuable or dangerous items, and clean up cables, cloths, toys, hard objects and sharp objects on the ground to avoid being entangled, scratched or knocked over by the robot and causing losses.



Open the door of the room to be cleaned, and put the furniture in its proper place to leave more space.

Note:

- When operating the robot for the first time, follow it around while cleaning to remove any potential obstacles in time.
- The LED auxiliary light will provide auxiliary lighting in dimly lit environments.
- Do not vacuum hard objects like stones, steel balls and toy parts, or sharp objects like construction waste, broken glass and nails, otherwise the ground may be scratched.



Before cleaning, place a physical barrier at the edge of the stairs and sofa to ensure the secure and smooth operations of the robot.

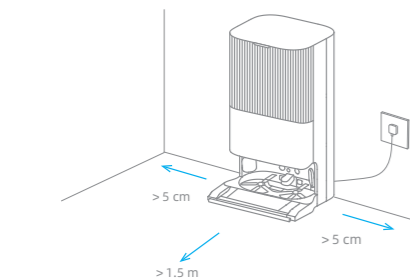


To prevent the robot from not recognizing areas that need to be cleaned, do not stand in front of the robot, threshold, hallway, or narrow places.

Before Use

1. Place the Base Station and Connect to an Electrical Outlet

Place the base station in a location that is as open as possible with a good Wi-Fi signal. Remove any objects that are closer than 1.5 m from the front and 5 cm from either side of the base station. Insert the power cord into the base station and plug it into the socket.



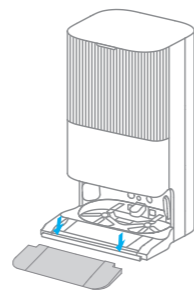
I : ON
O : OFF

Firmly insert the power cord upwards until the indicator turns on.

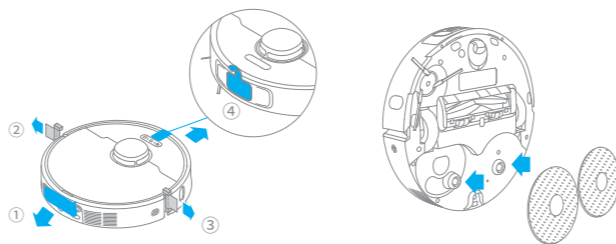
Note:

- Make sure that no objects might block the signaling area.
- To prevent water stains from wetting wood floors or carpets, placing the base station on tile floors or marble floors is recommended.

2. Install the Ramp Extension Plate




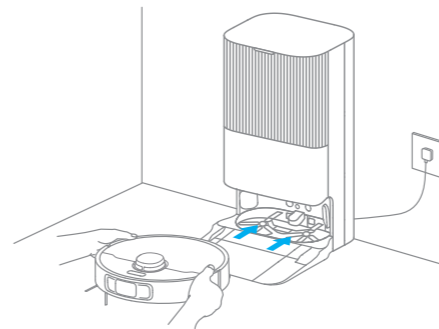
3. Remove Robot Protections and Install the Mop Assembly



Before Use

4. Connect the Robot to the Base Station

Press and hold the button  on the robot for 3 seconds to turn it on. Place the robot onto the base station with the mop assembly facing toward the washboard. Then you will hear a voice notification when the robot successfully connects to the base station.

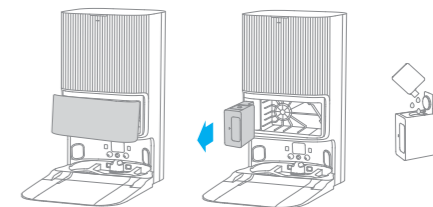


Note: It is recommended to fully charge the robot before its first use. When the robot cannot be turned on after the battery is depleted, manually connect the robot with the station to charge it.

5. Add the Cleaning Solution

- (1) Remove the dust tank cover and pull out the auto-detergent compartment.
- (2) Open the upper lid of the compartment and add the cleaning solution.
- (3) Close the lid of the compartment, put it back into the base station, and then reinstall the dust tank cover. The cleaning solution will be added

automatically while working.

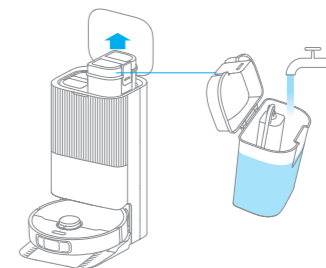


Note:

- The auto-detergent compartment can be filled up with cleaning solution for use. Do not add any liquid other than the officially-approved cleaning solution to help prevent malfunction.
- Install the auto-detergent compartment until it clicks into place.

6. Add Water to the Clean Water Tank

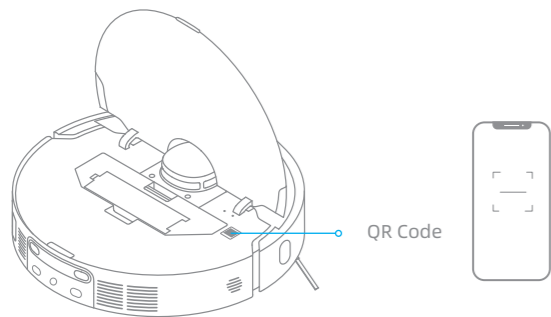
Take out the clean water tank from the base station and fill up the tank with clean water. Then install it back into the base station.



Note: Do not add hot water into the water tank, as this may cause the tank to become deformed.

1. Download the Dreamehome App

Scan the QR code on the robot, or search "Dreamehome" in the app store to download and install the app.



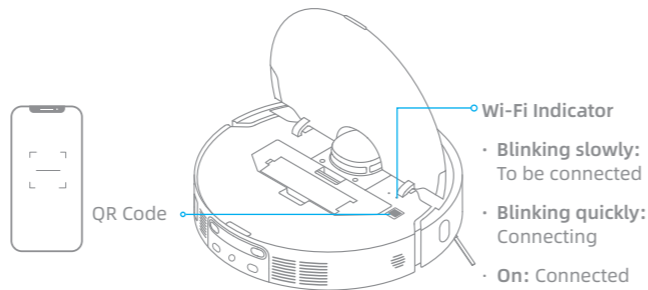
Note:

- Only 2.4 GHz Wi-Fi is supported.
- Due to upgrades in the app software, the actual operations may differ from the directions in this manual. Please follow the instructions based on the current app version.

2. Add Device



Open the Dreamehome app, tap "+" in the upper right corner, and scan the same QR code on the robot again to add the device. Please follow the prompts to finish the Wi-Fi connection.

Note: If you want to reset Wi-Fi, repeat step 2 and then follow the prompts to finish the Wi-Fi connection.



How to Use

Turn On/Off

Press and hold the button  for 3 seconds to turn on the robot. The power indicator should be illuminated. Place the robot onto the base station, the robot should turn on automatically and begin charging. To turn off the robot, move the robot away from the base station and press and hold the button  for 3 seconds.

Fast Mapping

After configuring the network for the first time, follow the instructions in the app to quickly create a map. The robot will start mapping without cleaning. When the robot returns to the base station, the mapping process has been completed and the map will be saved automatically.

Pause/Sleep

When the robot is running, press any button to pause it. If the robot is paused for more than 10 minutes, it automatically enters sleep mode. All indicators on the robot will turn off. Press any button on the robot, or use the app to wake up the robot.

Note: If the robot is paused and placed onto the base station, the current cleaning process will end.

Auto Resume Cleaning

If the battery is too low, the robot will automatically return to the base station to charge. After charging to the appropriate battery level, it will resume unfinished cleaning tasks.

Note: To use this function, please enable it in the app.


Do Not Disturb (DND) Mode

When the robot is set to the Do Not Disturb (DND) mode, the robot will be prevented from resuming cleaning and the power indicator goes out. The DND mode is disabled by default at the factory. You can use the app to enable the DND mode or modify the DND period. The DND period is 22:00-8:00 by default.



Note:

- The scheduled cleaning tasks will be performed as usual during the DND period.
- The robot will resume cleanup where it left off after the DND period expires.

Spot Cleaning

When the robot is on standby, press briefly the button  to enable the spot cleaning mode. In this mode, the robot cleans a square-shaped area of 1.5 x 1.5 meters around it and returns to its starting point once the spot cleaning is completed.


Robot Restarting

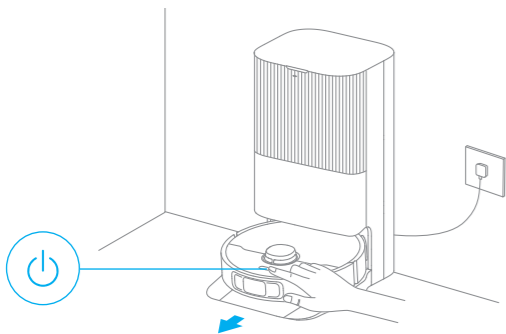
If the robot stops responding or cannot be turned off, press and hold the button  for 10 seconds to forcefully turn it off. Then, press and hold the button  for 3 seconds to turn the robot on.

Vacuum and Mop

Note: When using the mop assembly for the first time, the robot performs the "Vacuum and Mop" task by default.

1. Start cleaning

Press the button  on the robot, or use the app to make the robot start from the base station. Then the robot will plan the optimal cleaning route and perform the cleaning task based on the created map.

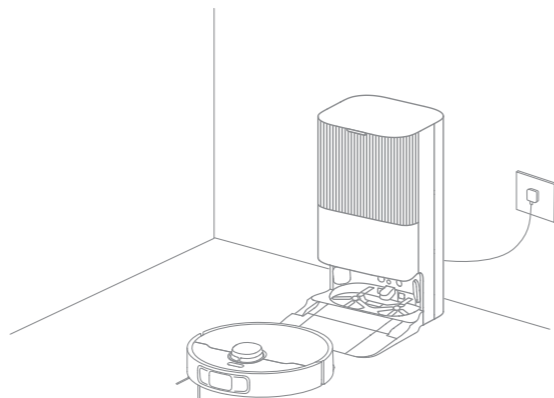


Note:

- To ensure the robot easily returns to the base station after cleaning, it is recommended to make the robot start from the base station.
- The mop pads will be cleaned before the robot starts mopping, please wait patiently.
- Do not move the base station, the clean water tank, the used water tank, or the washboard during operation.
- Hot water cleaning can be enabled in the app for mop pad and washboard base cleaning tasks, which applies to all modes. To prevent scalding, do not touch the water outlet when the function is on.

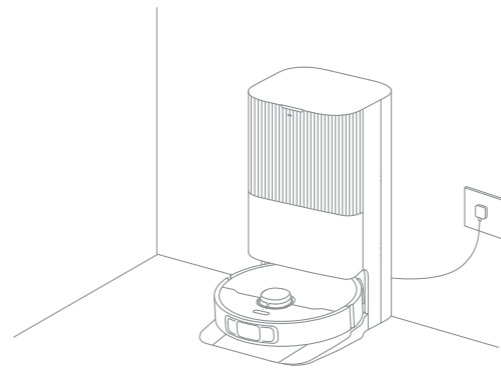
2. Auto mop washing

When cleaning, the robot will automatically return to the base station to wash mop pads based on the mop pad cleaning frequency specified in the app. The base station will automatically refill the robot's water tank and the robot will resume cleanup.



3. Automatically empty the dust box and wash and dry the mop pads

After the robot finishes a cleaning task and returns to the base station to charge, the base station will automatically start emptying the dust box. Then it will wash and dry the mop pads.



Note:

- If the auto-empty function is turned off in the app, the base station will not automatically empty the dust box.
- The base station will empty the dust box according to the setting in the app.

4. Clean the used water tank

After the robot has completed its task, please clean the used water tank to prevent any odor.

Mop after Vacuuming

Enable the mopping after vacuuming function in the app, and the robot will automatically remove the mop assembly on the base station to vacuum the floor. After vacuuming is completed, the robot will return to the base station to install the mop assembly and the base station will automatically start emptying the dust box. And then, the robot will start mopping after the main brush and side brush are raised.

Vacuum Only

Enable the vacuuming function in the app, and the robot will automatically remove the mop assembly on the base station and start vacuuming.

Mop Only

Enable the mopping function in the app, and the robot will automatically check if the mop assembly is installed on the base station. If not, the robot will install the mop assembly and start mopping after the main brush and side brush are raised.

Parts

To keep the robot in good condition, it is recommended to refer to the accessory usage in the app or the following table for routine maintenance.

Part	Maintenance Frequency	Replacement Period
Used water tank	After each use	/
Clean water tank	Once every 2 weeks	/
Main brush		
Dust box's filter		Every 3 to 6 months
Side brush		
Mop pad holder		
Washboard	Once every 2 months	/
Base station's signaling area	Once every month	/
Base station's charging contacts		
Base station's auto-empty vent		
Omnidirectional wheel		
Edge sensor		
Laser Distance Sensor (LDS)		
3D dual-line laser sensors		

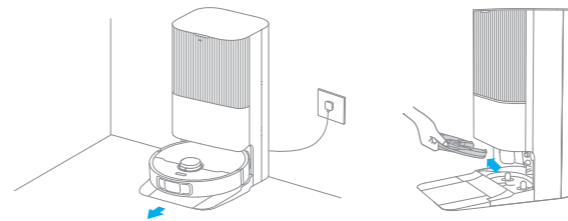
Part	Maintenance Frequency	Replacement Period
Carpet sensor	Once every month	/
Cliff sensors		
Bumper Window		
Robot's charging contacts		
Bumper		
Robot's auto-empty vent		
Robot's automatic water refilling inlet		
Bottom of the robot		
Dust box		
Dust bag	/	Every 2 to 4 months
Mop pad	/	Every 1 to 3 months

Note: The replacement frequency will depend on your usage of the robot. If an exception occurs due to special circumstances, the parts should be replaced.

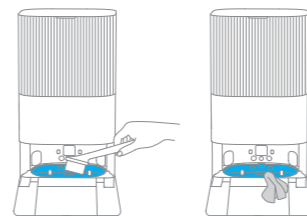
Washboard Base

The base station will perform washboard self-cleaning along with each mop pad cleaning. For deep cleaning, please refer to the following steps.

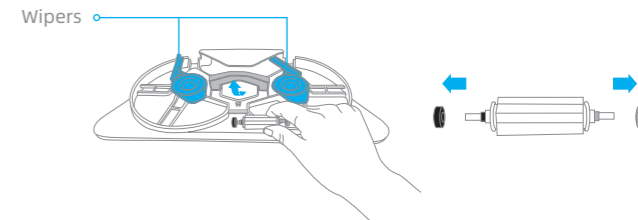
1. Enable the washboard base cleaning function in the app, and the robot will exit the base station automatically. Take out the washboard and wait for water to fill the washboard base.



2. Use the cleaning tool to clean the washboard base. After a moment, the base station will automatically pump out the used water. Then wipe the washboard base with a soft and dry cloth.



3. Flip the washboard over, remove the roller cover and the roller in turn, and then pull off the end caps of the roller.



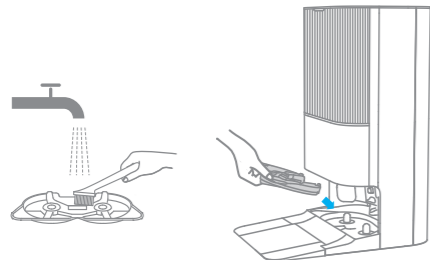
Note: If the roller cover is blocked by wipers on both sides of the washboard, rotate the roller to move them aside.

4. Remove the hair tangled in the roller, and then reassemble the parts according to corresponding colors, as shown in the figure below.

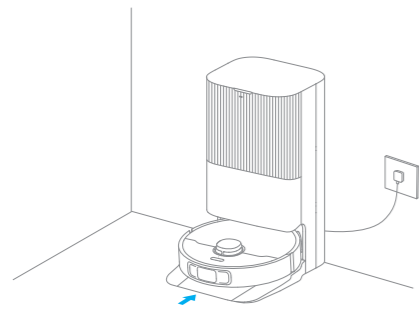


Routine Maintenance

5. Rinse the washboard with clean water, wipe it clean and then put it back into the base station downwards in an inclined way.



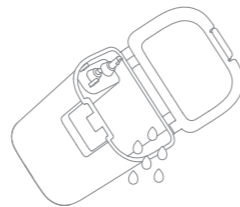
6. Use the app or briefly press the button  on the robot to make it return to the base station.



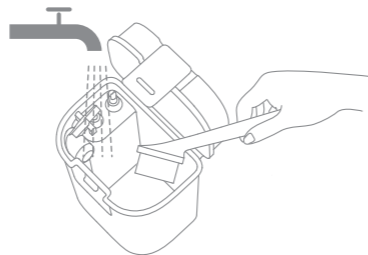
Note: During cleaning, do not make the robot return to the base station.

Used Water Tank

1. Remove the used water tank, open its cover and pour out the used water.



2. Rinse the used water tank with clean water, and use the provided cleaning tool to clean the inner wall of the used water tank.

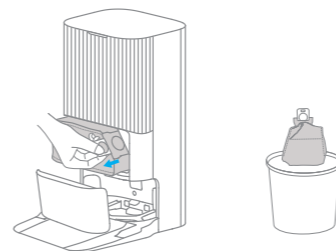


Note: The float ball in the used water tank is a movable part. Do not apply too much force when cleaning it to avoid damaging it.

Routine Maintenance

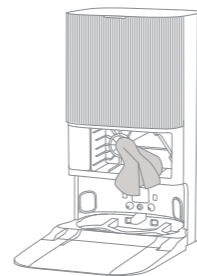
Dust Bag

1. Remove the dust tank cover and discard the dust bag.

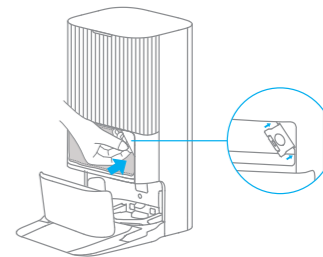


Note: Pulling upwards on the handle will seal the bag to prevent the dust and debris from accidentally falling out.

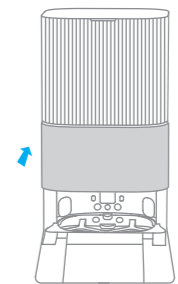
2. Remove the dust and debris from the filter with a dry cloth.



3. Install a new dust bag.



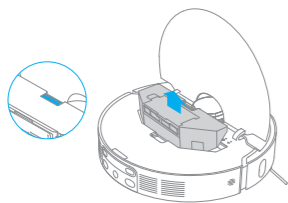
4. Reinstall the dust tank cover.



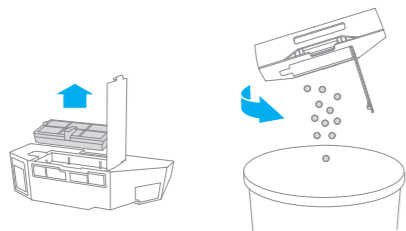
Routine Maintenance

Dust Box and Filter

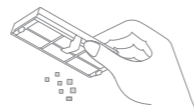
1. Open the robot cover and press the dust box clip to remove the dust box.



2. Open the dust box cover, remove the filter, and then empty the dust box as shown in the diagram.

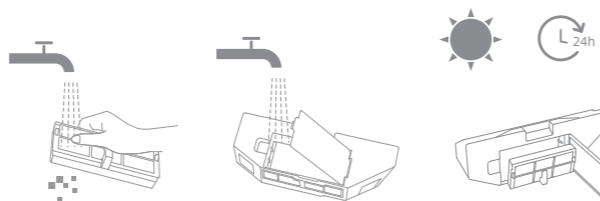


3. Gently tap the basket of the filter to remove the dirt.



Note: Do not attempt to clean the filter with a brush, a finger or sharp objects to prevent damage.

4. Rinse the dust box and filter with water and dry them completely before reinstalling.



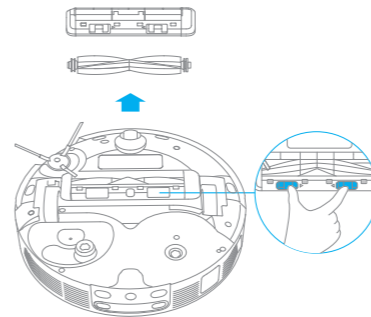
Note:

- Rinse the dust box and filter with clean water only. Do not use any detergent.
- Use the dust box and filter only when they are completely dry.

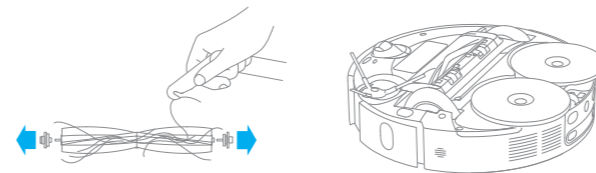
Routine Maintenance

Main Brush

1. Press the brush guard clips inwards to remove the brush guard and lift the brush out of the robot.

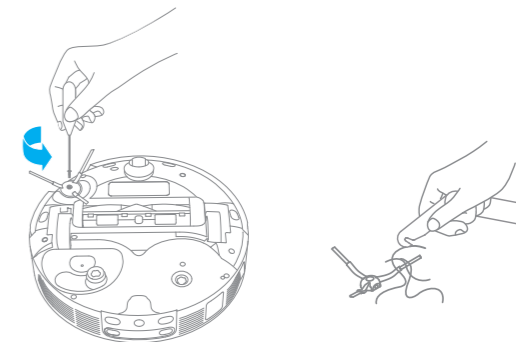


2. Pull out the brush covers at both ends of the brush as shown in the figure. Use the provided cleaning tool to remove any hair tangled in the brush. Reinstall the brush covers on both ends of the brush, and then reinstall the brush. Press on the brush guard to lock it in place.



Side Brush

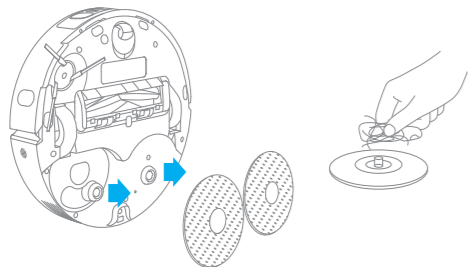
Unscrew the side brush with a screwdriver, clean the hair from the brush, and then screw it back on.



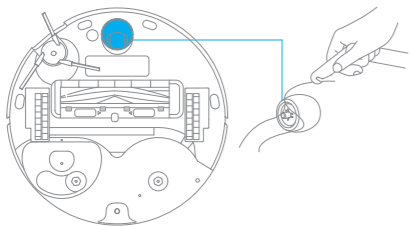
Routine Maintenance

Mop Pad Holder

Remove and clean the mop pad holder.



Omnidirectional Wheel

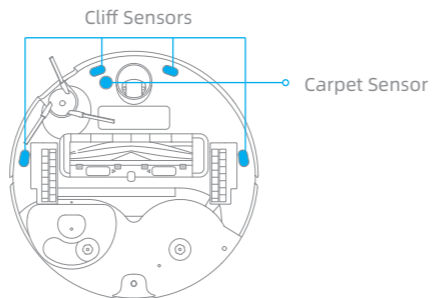
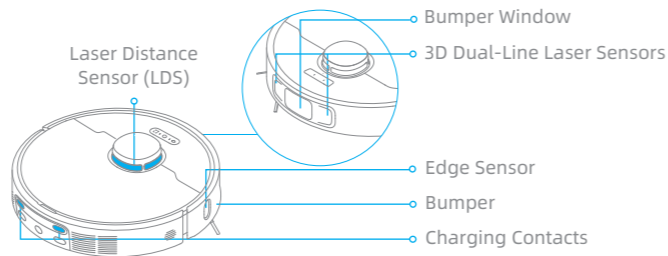


Note:

- Use a tool such as a small screwdriver to separate the axle and tire of the omnidirectional wheel. Do not use excessive force.
- Rinse the omnidirectional wheel under the running water and put it back after drying it completely.

Robot Sensors and Charging Contacts

Wipe sensors and charging contacts of the robot by using a soft and dry cloth, as shown in the below figure:

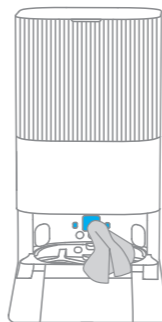


Note: A wet cloth can damage sensitive elements within the robot and the base station. Please use a dry cloth for cleaning.

Routine Maintenance

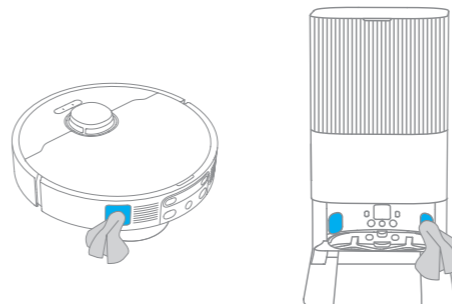
Charging Contacts

Clean the charging contacts and the signaling area of the base station with a soft and dry cloth.



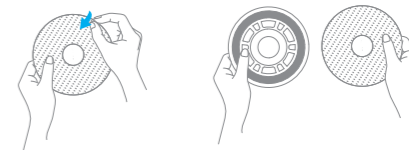
Auto-empty Vents

Clean the auto-empty vents of the robot and the base station with a soft and dry cloth.





Mop Pad


Remove the mop pad from the mop pad holder to replace it.



Battery

The robot contains a high-performance lithium-ion battery pack. Make sure that the battery remains well-charged for daily use to maintain optimal battery performance. If the robot is not used for an extended period of time, turn it off and put it away. To prevent damage from over-discharging, charge the robot at least once every three months.

Problem	Solution
The robot will not turn on.	The battery is low. Recharge the robot on the base and try again. The temperature of the battery is too low or too high. It is recommended to operate the appliance at a temperature between 32°F (0°C) and 104°F (40°C).
The robot will not charge.	The base station is not connected to power, please make sure both ends of its power cord are correctly plugged in. The contact between the charging contacts on the base station and the robot is poor, please clean the charging contacts. Check whether there is any foreign object at the connector of the robot and remove the foreign object if any.
The robot fails to connect to Wi-Fi.	The Wi-Fi network password is incorrect. Make sure the password used to connect to your Wi-Fi network is correct. The robot does not support a 5 GHz Wi-Fi connection. Make sure the robot is connected to a 2.4 GHz Wi-Fi connection. The Wi-Fi signal is weak. Make sure the robot is in an area with good Wi-Fi coverage. The robot may not be ready to be configured. Please exit and re-enter the app, and then try again as instructed.
The robot cannot find and return to the base station.	The base station is disconnected from power or moved when the robot is not on it. Please connect the base station to the power supply or place the robot onto the base station to charge. There are too many obstructions around the base station. Place the base station in a more open area. Moving the robot may cause it to re-position itself, and it will recreate a map if re-positioning fails. If the robot is too far from the base station, it might not be able to automatically return on its own, in which case you will need to manually place the robot onto the base station. Wipe the signaling area on the base station to remove dust or debris.
The robot gets stuck in front of the base station and cannot return to it.	Clear any obstruction within 5 cm on the left and right sides or within 1.5 m in front of the base station to prevent the robot from being blocked. The route for returning to charge is blocked, e.g. the door is closed. The robot may slip if the floor in front of the base station is overly wet. If so, clean the excess water before trying again. It is recommended to move the base station to a different place and try again. Make sure the ramp extension plate is installed properly.
The robot will not turn off.	The robot cannot be turned off when it is charging. It is recommended to move the robot from the base station, and then press and hold the button  for 3 seconds to turn it off. If the robot cannot be turned off by performing step 1, press and hold the button  for 10 seconds to forcibly turn off the robot. If the problem persists, please contact after-sales service.

Problem	Solution
The charging speed is slow.	It takes about 4.5 hours to fully charge the robot when its battery is low. If you operate the robot at temperatures outside of the specified range, the charging speed will automatically slow down to extend the battery life. The charging contacts on both the robot and the base may be dirty, please wipe them with a dry cloth.
The noise increases while the robot is operating.	Check whether the dust box filter is clogged. If so, clean it or replace it. A hard object may be caught in the main brush or the dust box. Check and remove any hard object. The main brush or the side brush may become tangled. Check and remove any foreign objects. Switch the suction mode to Standard or Quiet.
The robot moves without following the set route.	Objects such as power cords and slippers should be organized before using the robot. Working on wet slippery surfaces causes the main wheel to slip. It is recommended to dry the wet places before using the robot. Wipe the bumper window and 3D dual-line laser sensors on the robot with a clean, soft cloth to keep them clean and unobstructed.
The robot misses the rooms to be cleaned.	Make sure that the doors of the rooms to be cleaned are open. Check whether there is a threshold higher than about 2 cm at the door of the room. The robot cannot climb over high thresholds or steps. The place in front of the room to be cleaned may be wet and slippery, causing the robot to slip and work abnormally. Please try drying the floor before using the robot.
The robot will not resume cleaning after charging.	Make sure that the robot is not set to the Do Not Disturb (DND) mode, which will prevent it from resuming cleaning. The robot will not resume cleaning after you manually place the robot on the base station or send the robot to charge via the app or the button  .

Problem	Solution
The station cannot automatically empty the dust box.	Check whether the dust bag in the dust tank is full. If the dust bag is not full, check whether there is any obstruction at the auto-empty vents of the robot, the base station, or the dust box. If any, clean the blocked part in time.
The water level in the washboard is abnormal.	Check whether the seal on the used water tank is loose or not correctly installed, and manually reset it if so. If the problem persists, please contact the after-sales service team. Gently press down on the used water tank to make sure it is installed correctly. Remove the washboard and check whether the sewage drain is blocked and clean it. Check the cleaning solution. Do not add any liquid other than the officially-approved cleaning solution.
The mop pad holder is raised abnormally.	Please remove the mop pad holder to check if there is any foreign object stuck in it, and try to restart the robot. If the problem persists, please contact the after-sales service team.
There is water under the clean water tank or around the seal.	When taking out the clean water tank, some water in the pipe may be left under the tank or around the seal. This is normal. Please wipe with a dry cloth.

For more support, contact us via <https://global.dreametech.com>

Robot

Model	RLX63CE-2
Charging Time	Approx. 4.5 hours
Rated Voltage	14.4 V ---
Rated Power	75 W
Operation Frequency	2400-2483.5 MHz
Maximum Output Power	<20 dBm

Base Station

Model	RCXE0307
Rated Input	220-240 V ~ 50-60 Hz
Rated Output	20 V --- 2 A
Rated Power (during dust emptying)	700 W
Rated Power (during hot water cleaning)	1160 W
Rated Power (during charging and drying)	89 W

Under normal use of condition, this equipment should be kept a separation distance of at least 20 cm between the antenna and the body of the user.

Note:

- Rated Power (during hot water cleaning) is determined by the power value during the representative period (water temperature 25°C).
- Rated Power (during charging and drying) is determined by the power value during full load period.

Battery Disposal and Removal

The built-in lithium-ion battery contains substances that are hazardous to the environment. Before disposing of the battery, make sure the battery is removed by qualified technicians and discarded at an appropriate recycling facility.

- the battery must be removed from the appliance before it is scrapped;
- the appliance must be disconnected from the supply mains when removing the battery;
- the battery is to be disposed of safely.

CAUTION:

Before removing the battery, disconnect the power and run out the battery as much as possible.

Unneeded batteries should be discarded at an appropriate recycling facility.

Do not expose to high temperature environment to avoid risks of explosion.

Under abusive conditions, liquid may be ejected from the battery. If contact occurs, flush with water and seek medical help.

Removal Guide:

1. Turn over the robot, use a proper tool to remove the screws on the back of the robot, and then remove the cover.
2. Unplug the terminals between the battery and PCB board to remove the battery.

WEEE Information



All products bearing this symbol are waste electrical and electronic equipment (WEEE as in directive 2012/19/EU) which should not be mixed with unsorted household waste. Instead, you should protect human health and the environment by handing over your waste equipment to a designated collection point for the recycling of waste electrical and electronic equipment, appointed by the government or local authorities. Correct disposal and recycling will help prevent potential negative consequences to the environment and human health. Please contact the installer or local authorities for more information about the location as well as terms and conditions of such collection points.

Информация по технике безопасности

Во избежание поражения электрическим током, возгорания или травм, вызванных некорректным использованием устройства, перед началом работы внимательно прочтите руководство пользователя и сохраните его для дальнейшего использования.

Ограничения по эксплуатации

- В целях обеспечения безопасной эксплуатации и во избежание рисков не допускается использование данного изделия детьми младше 8 лет, а также лицами с ограниченными физическими, сенсорными или умственными способностями или с ограниченным опытом или знаниями без присмотра родителя или опекуна. Не позволяйте детям осуществлять чистку и техническое обслуживание устройства без присмотра.
- Устройство должно использоваться только с блоком питания, поставляемым в комплекте.
- Данное устройство оснащено аккумулятором, который должны заменять только квалифицированные технические специалисты.
- Уберите посторонние предметы из зоны для уборки. Не позволяйте детям играть с устройством. Убедитесь, что дети и животные находятся на безопасном расстоянии от устройства во время работы.
- Запрещается устанавливать, заряжать и использовать устройство в ванной комнате и вблизи бассейнов.
- Данное устройство предназначено только для очистки пола в домашних условиях. Не используйте его на открытом воздухе, иных поверхностях, кроме пола, а также в коммерческих или промышленных помещениях.
- Убедитесь, что в надлежащей обстановке устройство работает корректно. В противном случае не используйте его.
- Если кабель питания поврежден, замените его специальным кабелем или комплектом, приобретенным у производителя или в соответствующем

Ограничения по эксплуатации

- сервисном центре.
- Не используйте робота в областях, расположенных над полом, без защитного барьера.
- Запрещается переворачивать робота. Запрещается переносить робота держа его за крышку лидара, крышку самого робота или бампер.
- Используйте робота при температуре окружающей среды выше 0 °C и ниже 40 °C. Убедитесь, что на полу нет жидкости или липких веществ.
- Во избежание повреждения или нарушения работы устройства из-за волочения предметов, перед его включением соберите все посторонние предметы с пола и уберите провода и кабели питания с пути движения устройства во время уборки.
- Уберите с пола хрупкие и мелкие предметы, чтобы робот не врезался в них и не повредил.
- Не допускайте попадания волос, пальцев и других частей тела во всасывающее отверстие робота.
- Храните инструмент для очистки в недоступном для детей месте.
- Запрещается использовать устройство в комнате со спящим младенцем или ребенком.
- Не размещайте на роботе детей, животных или какие-либо предметы, независимо от того, остановлен он или движется.
- В бак для чистой воды можно добавлять только чистую воду и одобренный чистящий раствор. Запрещается добавлять любые другие жидкости, например спиртосодержащее или дезинфицирующее средство. Соотношение чистящего раствора и чистой воды можно узнать в

Ограничения по эксплуатации

- инструкции на бутылке с чистящим раствором. Храните чистящий раствор в недоступном для детей месте.
- Не используйте робота для уборки горящих веществ. Запрещается использовать робота для уборки воспламеняющихся или горючих жидкостей, агрессивных газов, неразбавленных кислот или растворителей.
- Не используйте робота для уборки твердых и острых предметов. Запрещается использовать робота для уборки камней, крупных кусков бумаги и других предметов, которые могут застрять в устройстве.
- Перед очисткой и ремонтом выключите устройство и отключите его от розетки.
- Запрещается протирать робота и базовую станцию влажным полотенцем или промывать жидкостью. После очистки моющихся деталей их необходимо полностью просушить перед повторной установкой и использованием.
- Используйте данное устройство согласно руководству пользователя. За убытки и ущерб, возникшие из-за несоблюдения инструкций, ответственность несет пользователь.

Аккумулятор и зарядка

- Запрещается использовать аккумулятор или базовую станцию других производителей. Устройство необходимо использовать только с базовой станцией модели RCXE0307.
- Запрещается самостоятельно разбирать, ремонтировать или модифицировать аккумулятор или базовую станцию.
- Запрещается размещать базовую станцию рядом с источником тепла.
- Запрещается протирать или очищать зарядные контакты базовой станции влажным полотенцем или влажными руками.

Аккумулятор и зарядка

- Запрещается утилизировать старые аккумуляторы ненадлежащим образом. Нерабочие аккумуляторы следует сдавать в соответствующие пункты переработки.
- Если кабель питания поврежден или сломан, немедленно прекратите использование устройства и обратитесь в службу послепродажного обслуживания.
- Перед транспортировкой убедитесь, что робот выключен, и по возможности храните его в оригинальной упаковке.
- Если робот не будет использоваться в течение длительного периода, полностью зарядите его, отключите и храните в сухом прохладном месте. Во избежание чрезмерной разрядки аккумулятора заряжайте робота не реже одного раза каждые три месяца.

Техника безопасности при использовании лазера

- Лазерный датчик в этом изделии соответствует стандарту IEC 60825-1:2014/EN 60825-1:2014/A11:2021 для лазерных изделий класса 1. Избегайте прямого контакта с глазами во время использования такого устройства.

ЛАЗЕРНОЕ ИЗДЕЛИЕ КЛАССА 1

ПОТРЕБИТЕЛЬСКОЕ ЛАЗЕРНОЕ ИЗДЕЛИЕ

EN 50689:2021

Меры предосторожности при хранении и транспортировке

- Продукт должен транспортироваться в упаковке. Не подвергайте продукт давлению или ударам во время транспортировки.
- Пожалуйста, избегайте сильных столкновений во время транспортировки.
- Не транспортируйте прибор при температуре выше 50 °C или ниже -20 °C.
- В течение короткого периода, например одного месяца, прибор можно хранить при температуре от -20 °C до 50 °C и относительной влажности 60 % ± 5 %. В течение длительного времени храните прибор при температуре окружающей среды от 0 °C до 40 °C.
- Утилизируйте прибор надлежащим образом. Когда его срок службы подойдет к концу, утилизируйте прибор в соответствии с местными законами и правилами и страны или региона, в котором он используется.

Правила и условия реализации: без ограничений.

Импортер продает этот продукт; информацию об импортере см. на упаковке.

Сведения об импортере и контактная информация отдела послепродажного обслуживания указаны на упаковке.

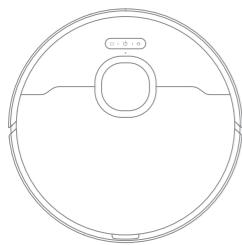
Дата изготовления: см. на упаковке

Срок службы устройства 3 года.

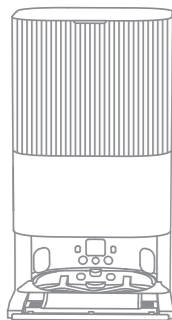
Настоящим компания Dreame Trading (Tianjin) Co., Ltd. заявляет, что тип радиооборудования RLX63CE-2 соответствует требованиям Директивы 2014/53/EU. Полный текст декларации о соответствии нормативным требованиям ЕС доступен по следующему адресу: <https://global.dreametech.com>

Подробное электронное руководство см. по адресу <https://global.dreametech.com/pages/user-manuals-and-faqs>

Комплектация

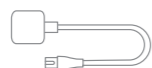


Робот

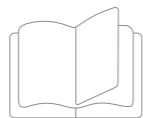


Базовая станция

Другие принадлежности



Кабель питания



Руководство пользователя



Удлинительная пластина рампы базовой станции



Отсек автоподачи чистящего средства (предустановлен)



Инструмент для чистки



Насадка для швабры, 2 шт. (предустановлена)



Держатель насадки для швабры, 2 шт.



Мешок для сбора пыли, 2 шт. (предустановлен, 1 шт.)

Комплект дополнительных принадлежностей



Основная щетка, 1 шт.



Боковая щетка, 2 шт.



Фильтр контейнера для пыли, 3 шт.



Мешок для сбора пыли, 3 шт.



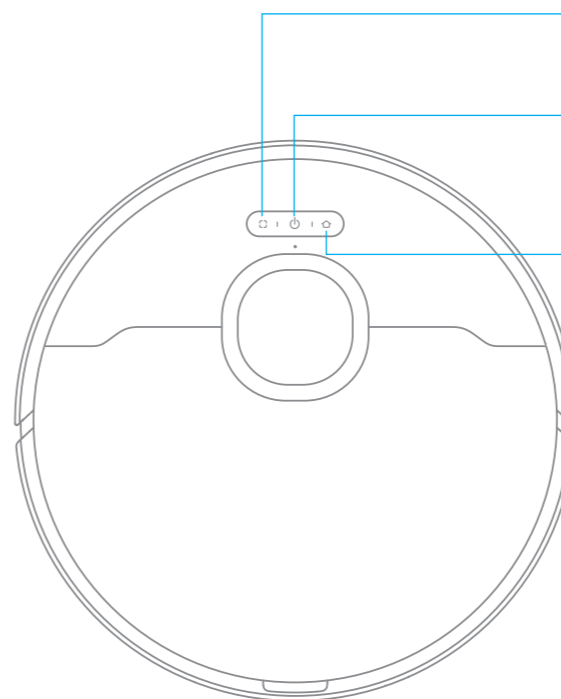
Насадка для швабры, 12 шт.



Чистящий раствор, 1 шт.

Обзор изделия

Робот


Кнопка точечной уборки

- Нажмите кнопку, чтобы начать точечную уборку

Кнопка питания/уборки

- Нажмите и удерживайте кнопку в течение 3 секунд, чтобы включить или выключить робота
- Нажмите, чтобы начать уборку, когда робот включен

Кнопка возврата на станцию

- Нажмите кнопку, чтобы отправить робота на базовую станцию
- Нажмите и удерживайте кнопку в течение 3 секунд, чтобы выключить блокировку от детей

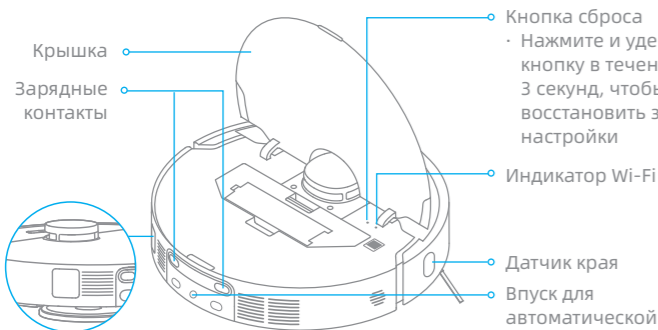
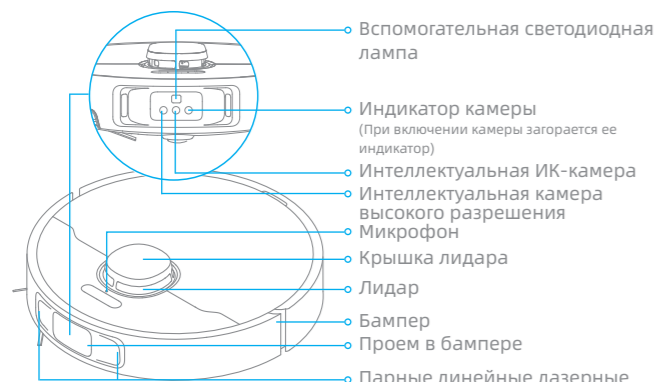
Индикатор состояния

- Постоянно горит белым: уборка продолжается или уборка завершена
- Мигает белым: выполняется зарядка (уровень заряда не слишком низкий)
- Постоянно горит оранжевым: режим ожидания при низком заряде аккумулятора или приостановка при низком заряде аккумулятора
- Мигает оранжевым: выполняется зарядка (низкий уровень заряда)
- Мигает оранжевым: ошибка

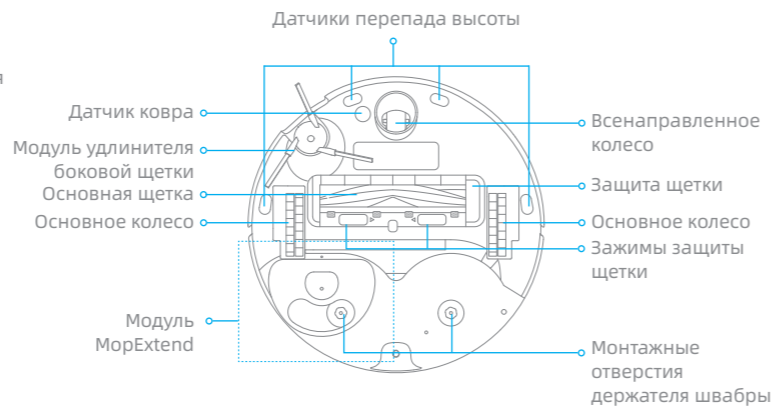
Примечание.

- Нажмите любую кнопку на роботе, чтобы поставить процесс на паузу, пока робот выполняет уборку или возвращается для зарядки.
- Блокировку от детей можно включить и выключить с помощью приложения Dreamehome.

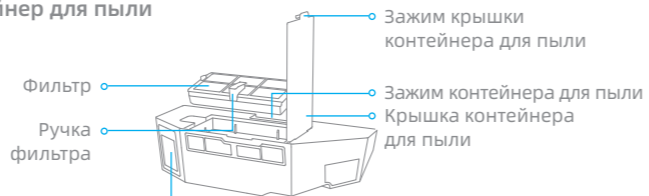
Робот и датчики



Вентиляционное отверстие системы самоочистки



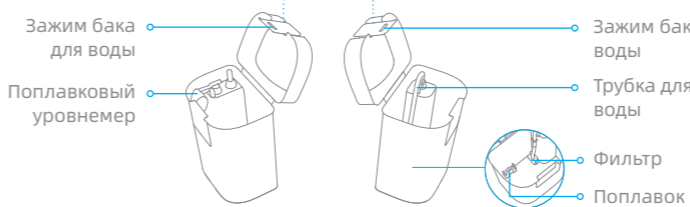
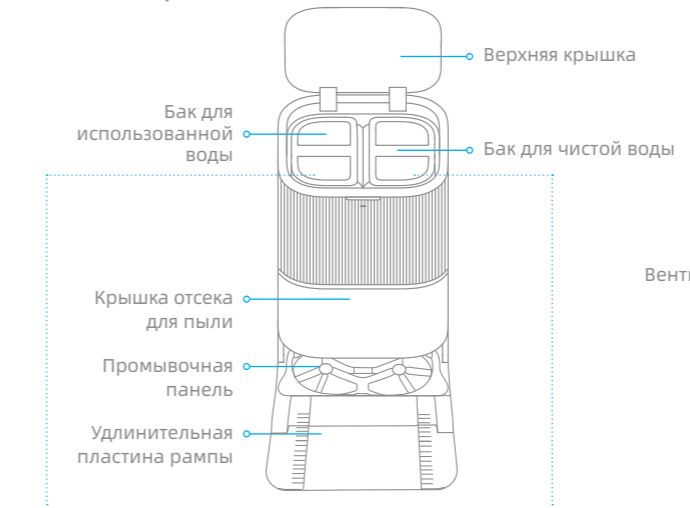
Контейнер для пыли



Узел швабры

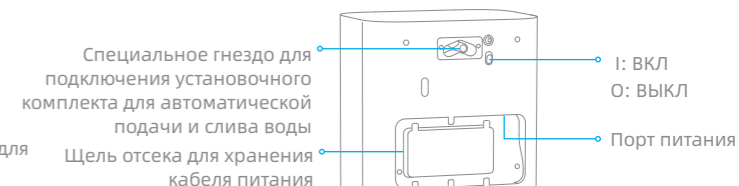
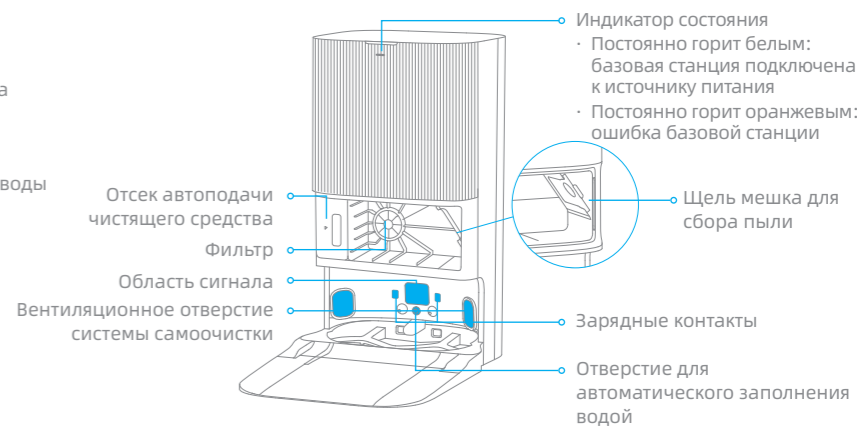


Базовая станция



Бак для использованной воды

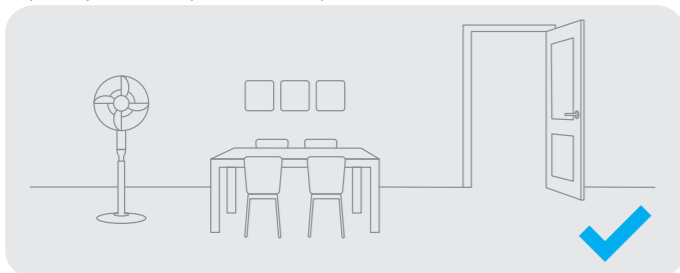
Бак для чистой воды



Примечание. Установочный комплект для автоматической подачи и слива воды необходимо приобретать отдельно. (Доступен только в некоторых регионах).



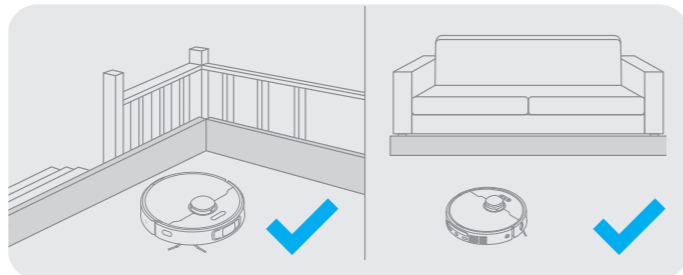
Перед началом уборки уберите с пола неустойчивые, хрупкие, ценные или опасные предметы, а также кабели, одежду, игрушки, твердые и острые предметы, чтобы робот не запутался в них, не поцарапал/не опрокинул и не повредил такие предметы.



Откройте дверь помещения, в котором будет проводиться уборка, и расставьте мебель таким образом, чтобы освободить больше пространства для уборки.

Примечание.

- При первом использовании робота находитесь в зоне уборки, чтобы вовремя убирать посторонние предметы с его пути.
- Вспомогательная светодиодная лампа обеспечивает дополнительное освещение в слабоосвещенных помещениях.
- Не допускайте засасывания пылесосом твердых предметов, таких как камни, стальные шарики и детали игрушек, а также острых предметов, таких как строительный мусор, битое стекло и гвозди. При несоблюдении данного требования на полу могут остаться царапины.



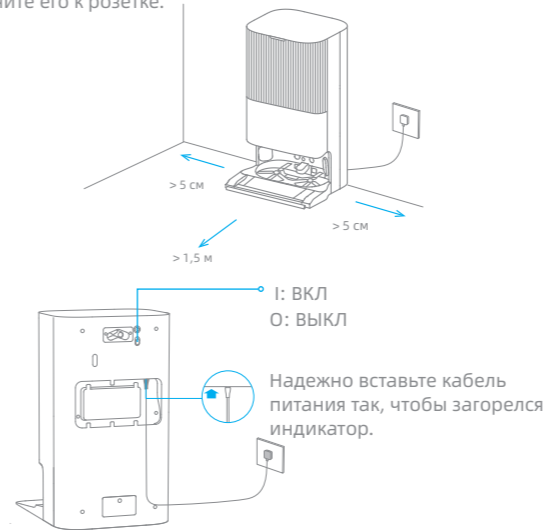
Перед уборкой установите физические барьеры у основания лестницы и рядом с диваном, чтобы обеспечить безопасность и бесперебойность работы пылесоса.



Не вставляйте перед роботом, в дверном проеме или узком проходе, чтобы робот мог корректно распознать зону предстоящей уборки.

1. Разместите базовую станцию и подключите ее к розетке

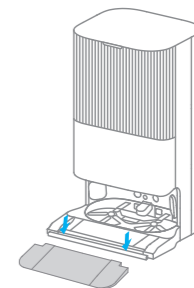
Расположите базовую станцию на максимально открытой поверхности в месте со стабильным сигналом Wi-Fi. Уберите все предметы, расположенные ближе чем в 1,5 м от передней стороны базовой станции и 5 см от ее боковых сторон. Подсоедините кабель питания к базовой станции и подключите его к розетке.



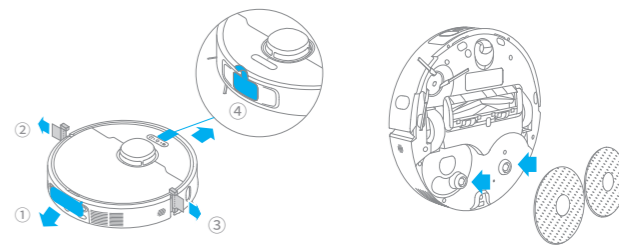
Примечание.

- Убедитесь, что в области сигнала нет посторонних предметов.
- Рекомендуется размещать базовую станцию на кафельном или мраморном полу, так как деревянный пол и ковры могут намочить от пятен воды.


2. Установите удлинительную пластину рампы

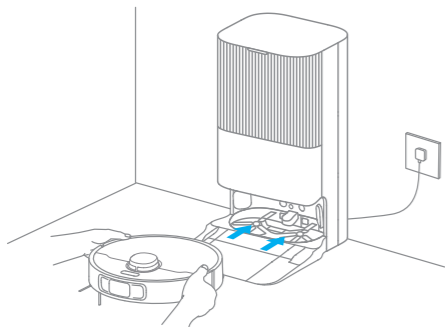


3. Снимите защиты робота и установите модуль швабры



4. Подключите робота к базовой станции

Нажмите и удерживайте кнопку  на роботе в течение 3 секунд, чтобы включить его. Разместите робота на базовой станции так, чтобы швабра была повернута в направлении промывочной панели. Когда робот подключится к базовой станции, вы услышите голосовое уведомление.



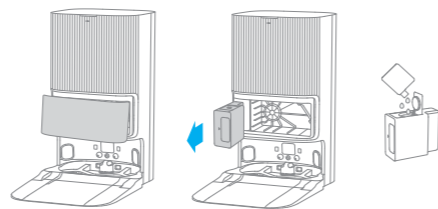
Примечание. Рекомендуется полностью зарядить робота перед первым использованием. Если робот не включается после полной зарядки аккумулятора, вручную подключите робота к станции для зарядки.

5. Добавьте чистящий раствор

(1) Снимите крышку отсека для пыли и выньте отсек автоподдачи чистящего средства.

(2) Откройте верхнюю крышку отсека и добавьте чистящий раствор.

(3) Закройте крышку отсека автоподдачи чистящего средства, установите его обратно в базовую станцию, а затем установите на место крышку отсека для пыли. Чистящий раствор будет добавляться автоматически во время работы устройства.

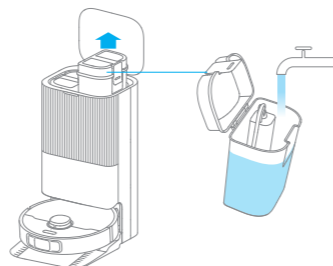


Примечание.

- Отсек автоподдачи чистящего средства можно заполнить чистящим раствором для дальнейшего использования. Не добавляйте никаких других жидкостей, кроме одобренного чистящего раствора, чтобы предотвратить неисправность устройства.
- Установите отсек автоподдачи чистящего средства так, чтобы раздался щелчок.

6. Заполните бак для чистой воды

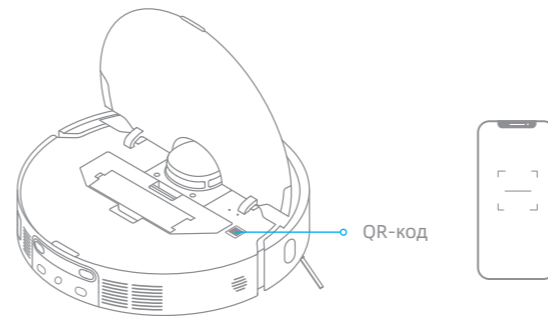
Выньте бак для чистой воды из базовой станции и заполните его чистой водой. Затем установите его обратно в базовую станцию.



Примечание. Во избежание деформации бака для чистой воды, запрещается заливать в него горячую воду.

1. Загрузка приложения Dreamehome


Отсканируйте QR-код, размещенный на роботе, или введите «Dreamehome» в поисковой строке магазина приложений, чтобы загрузить и установить приложение.



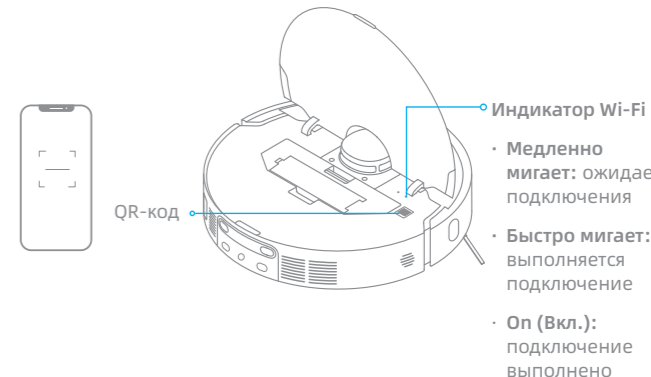
Примечание.

- Поддерживается только сеть Wi-Fi с частотой 2,4 ГГц.
- Приложение регулярно обновляется. Фактические действия могут отличаться от указанных в данном руководстве. Следуйте инструкциям, опираясь на текущую версию приложения.

2. Добавление устройства

Откройте приложение Dreamehome, нажмите  в правом верхнем углу экрана и отсканируйте тот же QR-код на роботе, чтобы добавить устройство. Для завершения подключения к Wi-Fi следуйте подсказкам.



Примечание. Если вы хотите сбросить настройки Wi-Fi, повторите шаг 2, а затем следуйте инструкциям, чтобы завершить подключение Wi-Fi.



Индикатор Wi-Fi

- Медленно мигает: ожидает подключения
- Быстро мигает: выполняется подключение
- Оп (Вкл.): подключение выполнено

Включение/выключение

Чтобы включить робота, нажмите и удерживайте кнопку  в течение 3 секунд. Индикатор питания должен загореться. Поместите робота на базовую станцию: робот должен автоматически включиться и начать процесс зарядки. Для выключения робота снимите его с базовой станции, после чего нажмите и удерживайте кнопку  в течение 3 секунд.

Быстрое построение карты

После первой настройки сети следуйте инструкциям в приложении, чтобы быстро построить карту. Робот начнет строить карту, не приступая к уборке. После того как робот вернется на базовую станцию, построение карты будет завершено и карта будет сохранена автоматически.

Пауза/спящий режим

Во время работы устройства нажмите на любую кнопку, чтобы приостановить процесс уборки. Через 10 минут после приостановки робот автоматически перейдет в спящий режим. Все индикаторы на роботе выключаются. Для выхода из спящего режима нажмите любую кнопку на роботе или воспользуйтесь приложением.

Примечание. После приостановки и возврата робота на базовую станцию текущий процесс уборки будет завершен.

Автоматическое возобновление уборки

Если заряд батареи слишком низкий, робот автоматически вернется на базовую станцию для зарядки. После зарядки аккумулятора до соответствующего уровня робот возобновит выполнение незавершенных задач по уборке.

Примечание. Для использования данной функции включите ее в приложении.


Режим «Не беспокоить»

В режиме «Не беспокоить» робот не сможет возобновить уборку, а индикатор питания погаснет. В заводских настройках режим «Не беспокоить» выключен по умолчанию. Включить режим «Не беспокоить» и изменить его длительность можно в приложении. По умолчанию для режима «Не беспокоить» настроен период времени с 22:00 до 8:00.



Примечание.

- Уборка по расписанию при включенном режиме «Не беспокоить» будет выполняться как обычно.
- Робот возобновит уборку в месте остановки после выхода из режима «Не беспокоить».

Точечная уборка

Чтобы включить режим точечной уборки, нажмите кнопку , когда робот находится в режиме ожидания. В этом режиме робот выполнит уборку квадратного участка 1,5 × 1,5 метра вокруг себя и затем вернется в исходное место.


Перезагрузка робота

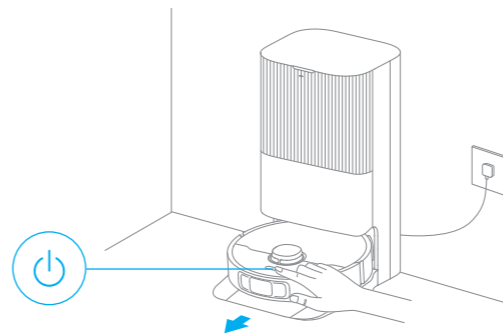
Если робот не реагирует на команды или не выключается, нажмите и удерживайте кнопку  в течение 10 секунд для его принудительного выключения. Затем нажмите и удерживайте кнопку  в течение 3 секунд, чтобы включить робота.

Сухая и влажная уборка

Примечание. При первом использовании швабры робот по умолчанию выполнит задачу «Сухая и влажная уборка».

1. Начало уборки

Чтобы запустить робота из базовой станции, нажмите кнопку  на роботе или воспользуйтесь приложением. Робот построит оптимальный маршрут уборки и выполнит задачу по уборке согласно созданной карте.

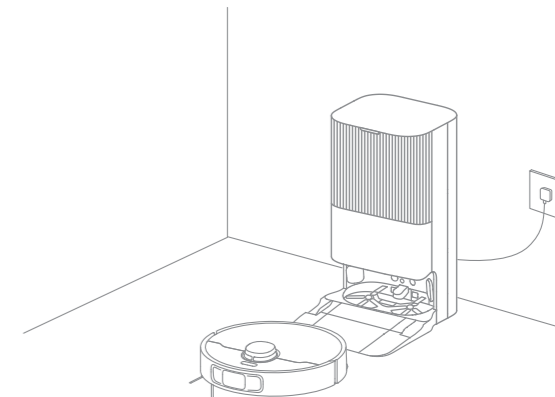


Примечание.

- Чтобы робот мог быстро вернуться на базовую станцию после уборки, рекомендуется запускать робота из базовой станции.
- Перед началом влажной уборки выполняется промывка насадок для швабры. Дождитесь завершения промывки.
- Во время работы запрещается перемещать базовую станцию, бак для чистой воды, бак для использованной воды или промывочную панель.
- Для очистки насадки швабры и промывочной панели можно в приложении включить функцию промывки горячей водой. Эта функция применима во всех режимах. Во избежание ожогов не прикасайтесь к выпускному отверстию для воды, когда эта функция включена.

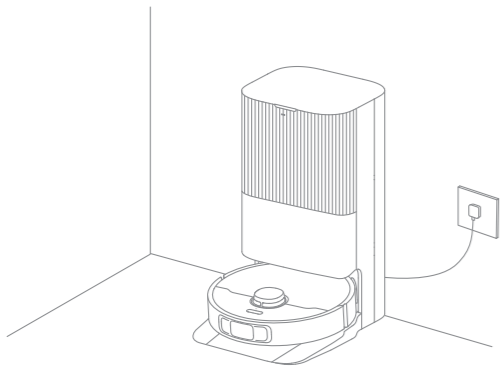
2. Автоматическая промывка насадок для швабры

Во время уборки робот будет автоматически возвращаться на базовую станцию для промывки насадок для швабры в соответствии с настройками в приложении. Базовая станция автоматически наполнит бак робота водой, и робот возобновит уборку.



3. Включите функцию самоочистки контейнера для пыли, а также автоматической промывки и сушки насадок для швабры

После того как робот завершит уборку и вернется на базовую станцию для подзарядки, базовая станция автоматически начнет удалять содержимое контейнера для пыли. Затем она выполнит промывку и сушку насадок для швабры.



Примечание.

- Если функция автоматической очистки выключена в приложении, базовая станция не будет автоматически удалять содержимое контейнера для пыли.
- Базовая станция будет удалять содержимое контейнера для пыли в соответствии с настройками в приложении.

4. Очистите бак для использованной воды

Во избежание появления неприятного запаха, очистите бак для использованной воды после того, как робот завершит задачу.

Влажная уборка после сухой уборки

В приложении включите функцию влажной уборки после сухой уборки, и робот автоматически снимет модуль швабры на базовой станции, чтобы пропылесосить пол. После завершения сухой уборки робот вернется на базовую станцию, чтобы установить модуль швабры, и базовая станция автоматически начнет удалять содержимое контейнера для пыли. Затем, после поднятия основной щетки и боковой щетки робот начнет влажную уборку.

Только сухая уборка

В приложении включите функцию сухой уборки, и робот автоматически снимет модуль швабры на базовой станции и начнет пылесосить пол.

Только влажная уборка

В приложении включите функцию влажной уборки, и на базовой станции робот автоматически проверит, установлен ли модуль швабры. Если модуль швабры отсутствует, робот его установит, поднимет основную щетку и боковую щетку и начнет влажную уборку.

Плановое обслуживание

Компоненты

Для обеспечения надлежащей работы устройства рекомендуется выполнять его плановое обслуживание в соответствии с разделом «Использование принадлежностей» в приложении или с таблицей ниже.

Компонент	Частота обслуживания	Частота замены
Бак для использованной воды	После каждого использования	/
Бак для чистой воды	Раз в две недели	Раз в 6-12 месяцев
Основная щетка		
Фильтр контейнера для пыли		Раз в 3-6 месяцев
Боковая щетка		
Держатель насадки для швабры		/
Промывочная панель	Раз в 2 месяца	/
Область сигнала базовой станции	Раз в месяц	/
Зарядные контакты базовой станции		
Вентиляционное отверстие системы самоочистки базовой станции		
Всенаправленное колесо		
Датчик края		
Лидар		
Парные линейные лазерные 3D-датчики		

Компонент	Частота обслуживания	Частота замены
Датчик ковра	Раз в месяц	/
Датчики перепада высоты		
Проём в бампере		
Зарядные контакты робота		
Бампер		
Вентиляционное отверстие системы самоочистки робота		
Отверстие для автоматического заполнения водой робота	По мере необходимости	/
Нижняя часть робота		
Контейнер для пыли	/	Раз в 2-4 месяцев
Мешок для сбора пыли		Раз в 1-3 месяца
Насадка для швабры		

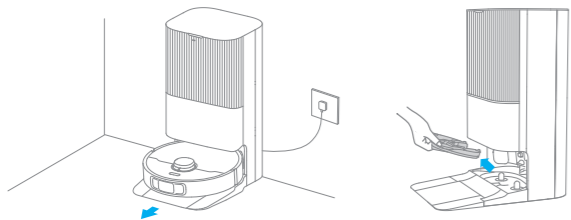
Примечание. Частота замены зависит от способа использования робота. При возникновении исключительных обстоятельств следует выполнить замену компонентов.

Плановое обслуживание

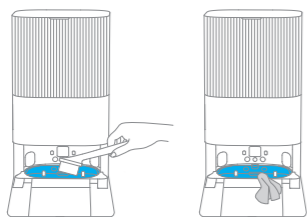
Основание промывочной панели

Базовая станция выполнит автоматическую очистку промывочной панели, а также чистку каждой насадки для швабры. Для тщательной очистки выполните следующие действия.

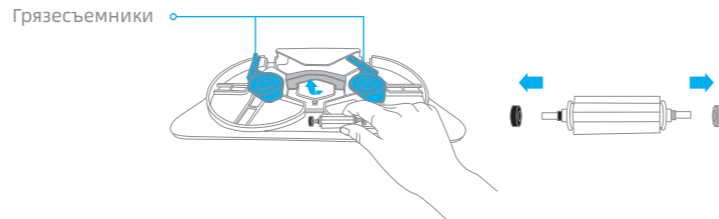
1. Включите функцию очистки основания промывочной панели в приложении, и робот автоматически покинет базовую станцию. Выньте промывочную панель и подождите, пока вода заполнит основание промывочной панели.



2. С помощью инструмента для чистки очистите основание промывочной панели. После этого базовая станция автоматически выпустит использованную воду. Затем вытрите основание промывочной панели сухим и мягким полотенцем.



3. Переверните промывочную панель, по очереди снимите крышку валика и сам валик, а затем снимите торцевые крышки валика.



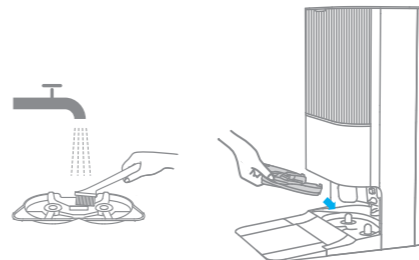
Примечание. Если крышка валика заблокирована грязесъемниками по обеим сторонам промывочной панели, поверните валик, чтобы сдвинуть их.


4. Удалите запутавшиеся в валике волосы, а затем соберите детали в соответствии с цветами, как показано на рисунке ниже.

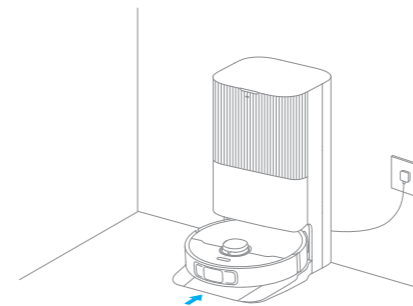


Плановое обслуживание

5. Промойте промывочную панель чистой водой, протрите ее, а затем вставьте обратно в базовую станцию наклонно вниз.



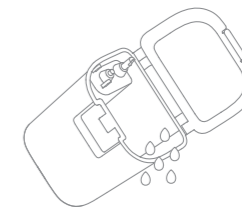
6. Для возврата робота на базовую станцию используйте приложение или однократно нажмите кнопку  на роботе.



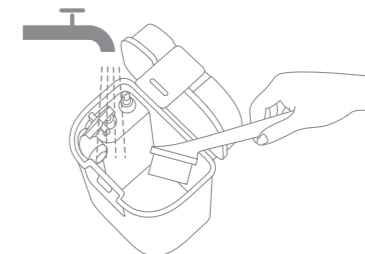
Примечание. Во время уборки не отправляйте робота обратно на базовую станцию.

Бак для использованной воды

1. Извлеките бак для использованной воды, откройте его крышку и вылейте содержимое бака.



2. Промойте бак для использованной воды чистой водой и очистите его внутреннюю поверхность с помощью инструмента для чистки, входящего в комплект поставки.

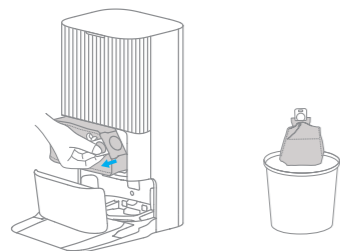


Примечание. Поплавковый уровень в баке для использованной воды является подвижной деталью. Очищайте уровень без чрезмерных усилий, чтобы не повредить его.

Плановое обслуживание

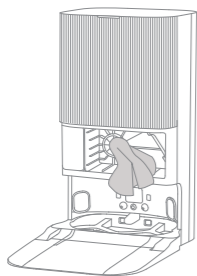
Мешок для сбора пыли

1. Снимите крышку отсека для пыли и утилизируйте мешок для сбора пыли.

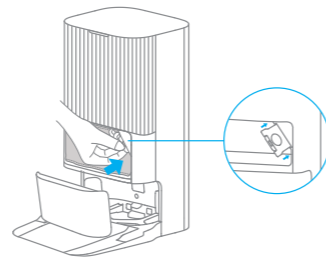


Примечание. Потяните ручку вверх, чтобы запечатать мешок и предотвратить случайное выпадение пыли и грязи.

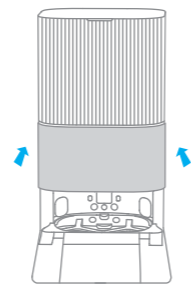
2. Очистите пыль и грязь с фильтра сухим полотенцем.



3. Установите новый мешок для сбора пыли.



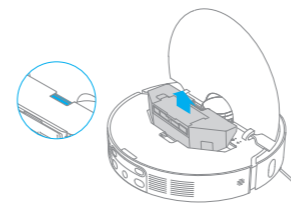
4. Установите крышку отсека для пыли на место.



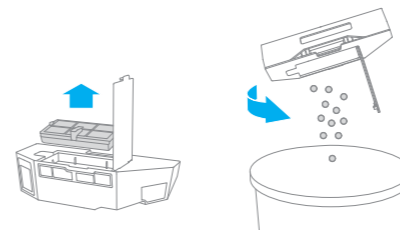
Плановое обслуживание

Контейнер для пыли и фильтр

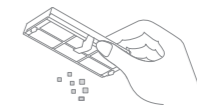
1. Откройте крышку робота и нажмите на зажим контейнера для пыли, чтобы снять его.



2. Откройте крышку контейнера для пыли, выньте фильтр, а затем опорожните контейнер для пыли, как показано на рисунке.

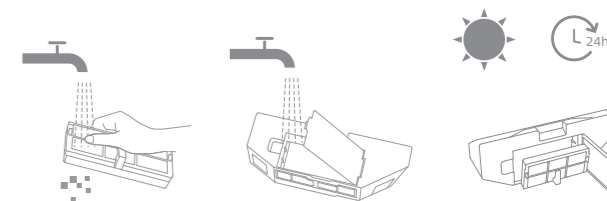


3. Осторожно постучите по корзине фильтра, чтобы удалить грязь.



Примечание. Не пытайтесь очистить фильтр щеткой, пальцами или острыми предметами, чтобы не повредить его.

4. Промойте контейнер для пыли и фильтр водой, а затем тщательно просушите их перед повторной установкой.



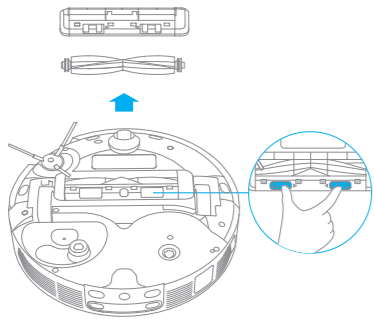
Примечание.

- Промывайте контейнер для пыли и фильтр только чистой водой. Запрещается использовать чистящее средство.
- Используйте контейнер для пыли и фильтр только после тщательной сушки.

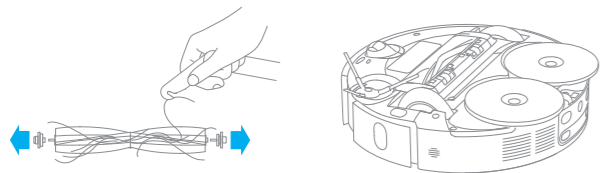
Плановое обслуживание

Основная щетка

1. Надавите на зажимы, чтобы извлечь защиту щетки и достать щетку из робота.

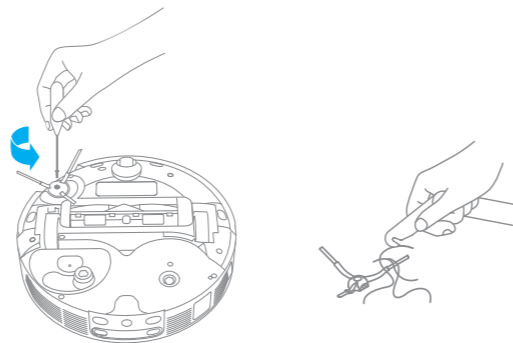


2. Вытащите крышки щетки с ее обоих концов, как показано на рисунке. С помощью инструмента для чистки, входящего в комплект поставки, удалите волосы, запутавшиеся в щетке. Установите на место крышки щетки на ее обоих концах, а затем установите щетку на место. Нажмите на защиту щетки, чтобы зафиксировать ее на месте.



Боковая щетка

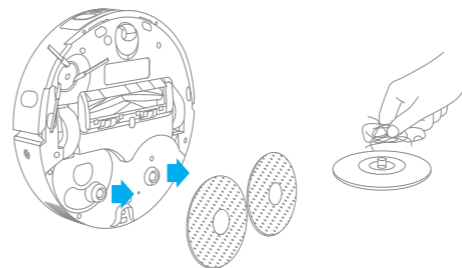
Открутите боковую щетку с помощью отвертки, очистите щетку от волос, а затем прикрутите ее обратно.



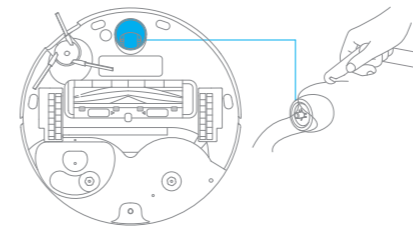
Плановое обслуживание

Держатель насадки для швабры

Снимите и очистите держатель насадки для швабры.



Всенаправленное колесо

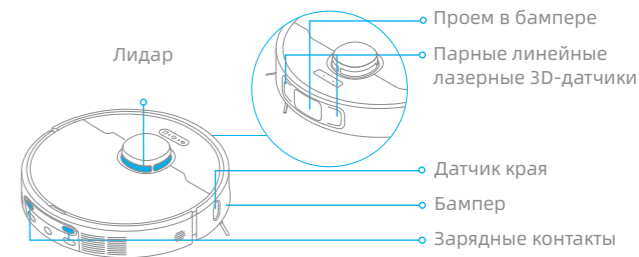


Примечание.

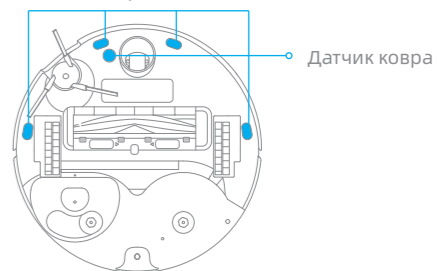
- Отделите ось и обод всенаправленного колеса с помощью небольшой отвертки. Не прилагайте чрезмерных усилий.
- Промойте всенаправленное колесо под проточной водой, тщательно просушите и установите на место.

Датчики и зарядные контакты робота

Протирайте датчики и зарядные контакты робота мягким и сухим полотенцем, как показано на рисунке ниже:



Датчики перепада высоты

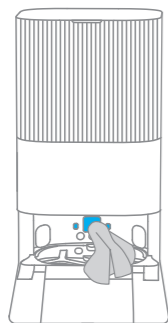


Примечание. Влажное полотенце может повредить чувствительные элементы робота и базовой станции. Для очистки используйте только сухое полотенце.

Плановое обслуживание

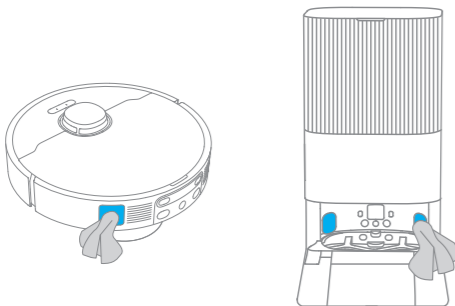
Зарядные контакты

Протрите зарядные контакты и область сигнала базовой станции сухим и мягким полотенцем.



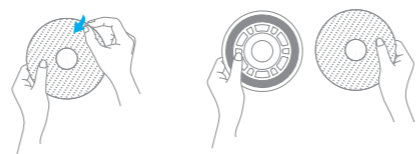
Вентиляционные отверстия системы самоочистки

Протрите вентиляционные отверстия системы самоочистки робота и базовой станции сухим и мягким полотенцем.



Насадка для швабры

Извлеките насадку для швабры из держателя для замены.






Аккумулятор

Робот оборудован высокопроизводительным литий-ионным аккумулятором. Для гарантии оптимальной работы следите, чтобы аккумулятор был заряжен. Если робот не используется в течение продолжительного времени, выключите и уберите его. Во избежание повреждений от глубокой разрядки аккумулятора заряжайте робота минимум один раз каждые три месяца.

Поиск и устранение неисправностей

Проблема	Решение
Робот не включается.	Низкий заряд аккумулятора. Зарядите робота на базовой станции и повторите попытку. Слишком низкая или слишком высокая температура аккумулятора. Рекомендуемая температура эксплуатации устройства: от 32 °C до 40 °C.
Робот не заряжается.	Базовая станция не подключена к источнику питания. Убедитесь, что оба конца кабеля питания корректно подключены. Зарядные контакты базовой станции и робота слабо контактируют. Очистите зарядные контакты. Проверьте разъем робота на наличие посторонних предметов и удалите их при необходимости.
Сбой подключения робота к сети Wi-Fi.	Неверный пароль от сети Wi-Fi. Убедитесь, что пароль для подключения к сети Wi-Fi введен верно. Робот не поддерживает сеть Wi-Fi с частотой 5 ГГц. Убедитесь, что робот подключен к сети Wi-Fi с частотой 2,4 ГГц. Слабый сигнал Wi-Fi. Убедитесь, что робот находится в зоне стабильного сигнала Wi-Fi. Робот не готов к настройке. Выйдите из приложения и зайдите еще раз, затем повторите попытку согласно инструкциям.
Робот не может найти базовую станцию и вернуться на нее.	Базовая станция отключена от источника питания или была перемещена, пока робот выполнял уборку. Подключите базовую станцию к источнику электропитания или поместите робота на базовую станцию для зарядки. Вокруг базовой станции слишком много препятствий. Расположите базовую станцию на более открытом пространстве. Из-за перемещения робот может начать определять свое местоположение повторно. В случае сбоя повторного определения местоположения карта будет создана повторно. Если робот находится слишком далеко от базовой станции, он не сможет автоматически вернуться самостоятельно. В таком случае необходимо вручную вернуть робота на базовую станцию. Протрите область сигнала базовой станции, чтобы удалить пыль или грязь.
Робот застрял перед базовой станцией и не может вернуться на нее.	Чтобы робот не застрял, уберите все посторонние предметы на расстоянии 1,5 м от передней стороны базовой станции и 5 см от ее боковых сторон. Маршрут возврата для подзарядки заблокирован, например, закрыта дверь. Робот может скользить, если участок пола перед базовой станцией слишком мокрый. В таком случае необходимо убрать излишки воды и повторить попытку. Рекомендуется переместить базовую станцию в другое место и повторить попытку. Убедитесь, что удлинительная пластина ramпы установлена правильно.

Проблема	Решение
Робот не выключается.	Робота нельзя выключить во время зарядки. Чтобы выключить робота, рекомендуется убрать его с базовой станции, а затем нажать и удерживать кнопку  в течение 3 секунд. Если робота невозможно выключить согласно инструкциям, описанным в шаге 1, нажмите и удерживайте кнопку  в течение 10 секунд, чтобы принудительно выключить его. Если проблема сохраняется, свяжитесь со службой послепродажного обслуживания.
Робот заряжается медленно.	Полная зарядка аккумулятора занимает около 4,5 часов. Если робот используется при температуре, которая не соответствует установленному диапазону, скорость зарядки автоматически снижается, чтобы увеличить время использования аккумулятора. Зарядные контакты робота и базовой станции могли загрязниться. Протрите их сухим полотенцем.
В процессе работы устройства увеличивается шум.	Проверьте фильтр контейнера для пыли на наличие засора. При наличии засора очистите или замените фильтр. В основной щетке или контейнере для пыли мог застрять твердый предмет. Проверьте и удалите твердый предмет. В основной или боковой щетке мог запутаться посторонний предмет. Проверьте и удалите посторонние предметы. Переключите режим всасывания на «Стандартный» или «Тихий».
Робот не придерживается установленного маршрута.	Перед началом использования робота все посторонние предметы, такие как кабели питания и тапки, необходимо убрать в сторону. Основное колесо скользит на влажной скользкой поверхности. Рекомендуется просушить влажные зоны перед началом использования робота. Протрите проем бампера и парные линейные лазерные 3D-датчики робота чистым мягким полотенцем дочиста.
Робот пропускает комнаты во время уборки.	Убедитесь, что двери в комнаты, которые необходимо убрать, открыты. Убедитесь, что высота дверного порога в комнату не превышает примерно 2 см. Робот не может переезжать через высокие пороги или ступеньки. Пространство перед комнатой, которую необходимо убрать, может быть влажным и скользким, поэтому робот скользит и работает некорректно. Попробуйте просушить пол перед началом использования робота.

Проблема	Решение
Робот не может возобновить уборку после подзарядки.	Убедитесь, что режим «Не беспокоить» выключен. В противном случае робот не сможет возобновить уборку. Робот не возобновит уборку, после того как вы вручную разместите робота на базовой станции или отправите его на подзарядку с помощью приложения или нажав кнопку  .
Станция не удаляет содержимое контейнера для пыли автоматически.	Проверьте, заполнен ли мешок для сбора пыли в соответствующем отсеке. Если мешок для сбора пыли не заполнен, проверьте вентиляционные отверстия системы самоочистки робота, базовой станции или контейнера для пыли на наличие посторонних предметов. При наличии последних своевременно прочистите соответствующую деталь.
Аномальный уровень воды в промывочной панели.	Убедитесь, что уплотнение на баке для использованной воды не ослаблено и установлено правильно. В противном случае установите его повторно вручную. Если проблема сохраняется, свяжитесь со службой послепродажного обслуживания. Аккуратно нажмите на бак для использованной воды, чтобы убедиться, что он установлен правильно. Снимите промывочную панель и проверьте, не заблокирован ли слив для использованной воды, после чего при необходимости очистите его. Проверьте чистящий раствор. Запрещается добавлять какие-либо другие чистящие средства помимо одобренного чистящего раствора.
Держатель насадки для швабры необычно поднимается.	Снимите держатель насадки для швабры, чтобы проверить, не застрял ли в нем какой-либо посторонний предмет, и попробуйте перезапустить робота. Если проблема сохраняется, свяжитесь со службой послепродажного обслуживания.
Под баком для чистой воды или вокруг уплотнения имеется вода.	При снятии бака для чистой воды некоторое количество воды в трубе может остаться под резервуаром или вокруг уплотнения. Это нормальное явление. Вытрите воду сухим полотенцем.

Для получения дополнительной технической поддержки свяжитесь с нами на сайте <https://global.dreametech.com>

Робот

Модель	RLX63CE-2
Время зарядки	Около 4,5 ч
Номинальное напряжение	14,4 V ---
Номинальная мощность	75 W
Рабочая частота	2400-2483,5 MHz
Макс. выходная мощность	<20 dBm

Базовая станция

Модель	RCXE0307
Номинальный вход	220-240 V~ 50-60 Hz
Номинальный выход	20 V --- 2 A
Номинальная мощность (во время удаления пыли)	700 W
Номинальная мощность (во время промывки горячей водой)	1160 W
Номинальная мощность (во время зарядки и сушки)	89 W

При обычных условиях использования, между антенной данного оборудования и телом пользователя должно сохраняться расстояние не менее 20 см.

Примечание.

- Номинальная мощность (во время промывки горячей водой) определяется значением мощности в течение репрезентативного периода (температура воды 25 °C).
- Номинальная мощность (во время зарядки и сушки) определяется значением мощности в период полной нагрузки.

Извлечение и утилизация аккумулятора

Встроенный литий-ионный аккумулятор содержит вещества, представляющие опасность для окружающей среды. Перед утилизацией аккумулятора в соответствующем пункте переработки его должен извлечь из устройства квалифицированный специалист.

- для утилизации аккумулятор необходимо вынуть из устройства;
- при извлечении аккумулятора устройство должно быть отключено от электросети;
- аккумулятор необходимо утилизировать безопасным способом.

ВНИМАНИЕ!

Прежде чем извлекать аккумулятор, отключите электропитание и максимально разрядите аккумулятор.

Нерабочие аккумуляторы следует сдавать в соответствующие пункты переработки.

Не подвергайте аккумулятор воздействию высокой температуры во избежание риска взрыва.

При нарушении правил эксплуатации из аккумулятора может вылиться жидкость. В случае контакта с такой жидкостью промойте пораженный участок водой и обратитесь за медицинской помощью.

Инструкции по извлечению

- Переверните робота, с помощью подходящего инструмента открутите винты на его задней части, а затем снимите крышку.
- Чтобы извлечь аккумулятор, отсоедините клеммы между аккумулятором и печатной платой.

Информация об утилизации и переработке отходов электрического и электронного оборудования



Все изделия с символом раздельного сбора отработанного электрического и электронного оборудования (Директива WEEE 2012/19/EU) следует утилизировать отдельно от несортируемых бытовых отходов. С целью охраны здоровья и защиты окружающей среды такое оборудование необходимо сдавать на переработку в специальные пункты приема электрического и электронного оборудования, определенные правительством или местными органами власти. Правильная утилизация и переработка помогут предотвратить возможные негативные последствия для окружающей среды и здоровья человека. Для получения информации о местонахождении и порядке приема устройств в пунктах приема обратитесь в компанию, занимающуюся установкой оборудования, или в местные органы власти.