



POSEIDON ELITE

ARGB

FEATURES

- | | | |
|---|---|--|
| <p>ENGLISH</p> <ul style="list-style-type: none"> • UTTERRIGHT fins design for heat transfer efficiently • Multi-angle rotatable ARGB water block • High-performance pump head with Addressable RGB and infinite mirror design • Reinforced tubing for increased durability • Powerful cooling with up to 2,200 RPM fan speed | <p>BRAZILIAN PORTUGUESE</p> <ul style="list-style-type: none"> • Design de aletas UTTERRIGHT para transferência de calor eficiente • Bloco de água argb rotativo em vários ângulos • Cabeça de bomba de alto desempenho com RGB endereçável e design de espelho infinito • Tubulação reforçada para maior durabilidade • Resfriamento poderoso com até 2.200 rpm velocidade do ventilador | <p>SPANISH</p> <ul style="list-style-type: none"> • Diseño absoluto de aletas para la transferencia de calor de manera eficiente • Bloque de agua Rotb de ángulo múltiple • Cabezal de bomba de alto rendimiento con RGB direccionable y diseño de espejo infinito • Tubos reforzados para una mayor durabilidad • Potente enfriamiento con hasta 2.200 rpm de la velocidad del ventilador |
| <p>RUSSIAN</p> <ul style="list-style-type: none"> • Высокоизордные конструкции для теплопередачи эффективно • Многоугольный вращающийся водный блок Argb • Высокопроизводительная головка насоса с адресуемым RGB и бесконечным зеркалом дизайн • Усиленная трубка для повышения долговечности • Мощное охлаждение с скоростью вентилятора до 2200 об / мин | <p>GERMAN</p> <ul style="list-style-type: none"> • Optimalight flossendesign für Wärmeübertragung effizient • Mehrwinkliger rotierbarer Argb-Wasserblock • Hochleistungspumpenkopf mit adressierbarem RGB und unendlicher Spiegelkonstruktion • Verstärkter Schläuche für eine erhöhte Haltbarkeit • Leistungsstarke Kühlung mit bis zu 2.200 U / min - Lüftergeschwindigkeit | <p>JAPANESE</p> <ul style="list-style-type: none"> • 発熱伝達のための発見フィンの設計効率 • マルチアングル回転可能なArgb水ブロック • アドレス可能なRGBと無限のミラーデザインを備えた高性能ポンプヘッド • 耐久性を向上させるための強化チューブ • 最大2,200 rpmのファン速度で強力な冷却 |
| <p>KOREAN</p> <ul style="list-style-type: none"> • 열 전달을 위한 Utterright Fins 설계 효율적으로 • 다중 방전 회전식 Argb 워터 블록 • 주소가 가능한 RGB 및 무한 미러 디자인이 있는 고성능 펌프 헤드 • 내구성을 높이기 위한 강화 튜브 • 최대 2,200 rpm 팬 속도로 강력한 냉각 | <p>FRANCE</p> <ul style="list-style-type: none"> • Conception des ailettes au pouvoir pour le transfert de chaleur efficacement • Bloc d'eau argb rotatif multi-angle • Tête de pompe haute performance avec RVB adressable et conception de miroir infini • Tubes renforcées pour une durabilité accrue • Refroidissement puissant avec jusqu'à 2 200 tr / min | <p>繁中</p> <ul style="list-style-type: none"> • UTTERRIGHT 90 度直角式鳍片設計 強化散熱效能 • 多角度可旋轉 ARGB 水冷頭設計 • 高效能水冷頭與無限鏡 ARGB 燈效 • 強化水冷管材質 提升耐用性 • 配備 2200 RPM 散熱風扇 |

SPECIFICATIONS 產品規格

COUGAR POSEIDON ELITE ARGB 240

Product Name 產品型號	POSEIDON ELITE ARGB 240 POSEIDON ELITE ARGB 240(White)
CPU Socket CPU插座	Intel LGA1851 / LGA1700 / LGA1200 / LGA115X / LGA1366 AMD AM5 / AM4 / AM3 / AM2 / FM2 / FM1
Water Block & Pump 水冷頭 & 幫浦	
Dimensions (WxDxH) 尺寸	82.9 x 73.3 x 50.7mm
Cold Plate Material 水冷板材質	Copper 銅
Pump Speed 幫浦轉速	2700 ± 10% RPM
Rated Voltage 額定電壓	12 VDC
Rated Current 額定電流	0.35 A
Power Consumption 電力功耗	4.2 W
Connector 接頭 & 控制線	Pump 幫浦: 2510-3Pin Lights RGB燈: 5V-3Pin ARGB
Radiator 水冷排	
Dimension (WxDxH) 尺寸	272 x 121 x 27mm
Material 材質	Aluminium Alloy 鋁合金

Tubing 水冷管		
Length 長度	400 mm	
Fans 風扇		
Fan Quantity 風扇數量	2	
Dimensions (WxDxH) 尺寸	120 x 120 x 25 mm	
Fan Speed 風扇轉速	500-2200 RPM ±10%	
Air Flow 風量	62.53 CFM	
Air Pressure 風壓	2.4 mmH2O	
Acoustic Noise 運轉聲響	33.5 dB(A)	
Power Consumption 電力功耗	3.6 W (Fan) / 3 W (LED)	
Rated Current 額定電流	0.3 A (Fan) / 0.6 A (LED)	
Rated Voltage 額定電壓	12 VDC (Fan) / 5 VDC (LED)	
Connector & Control 接頭 & 控制線	Fan 轉速:2510-4Pin PWM Lights 燈效: 5V-3Pin ARGB	

The above specifications may vary by country or region

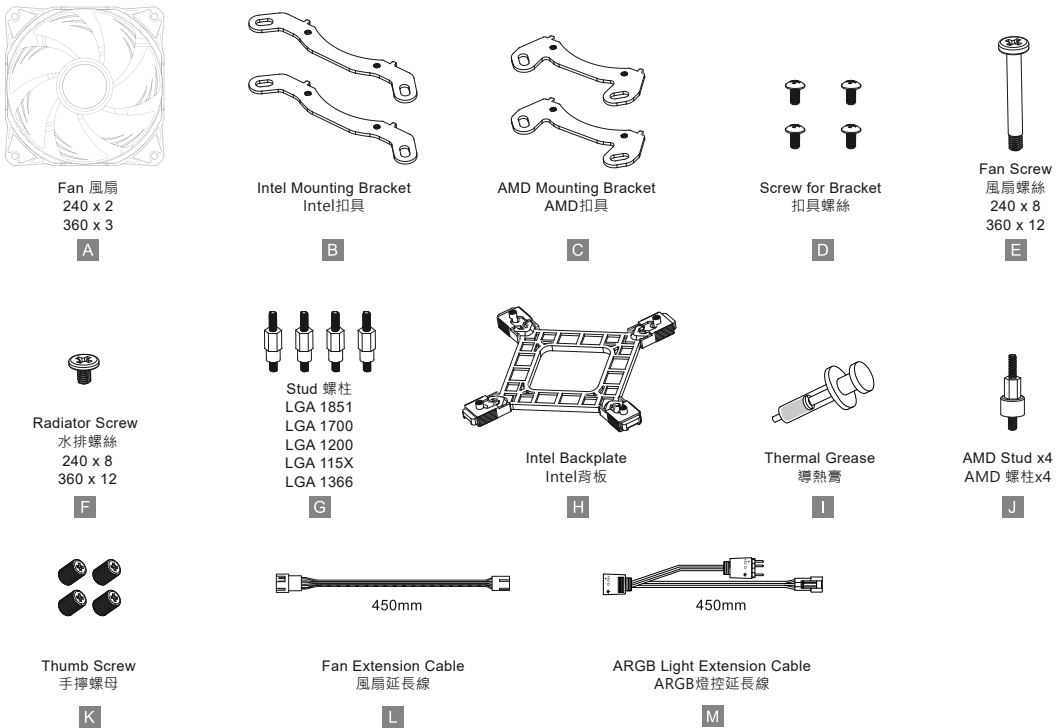
COUGAR POSEIDON ELITE ARGB 360

Product Name 產品型號	POSEIDON ELITE ARGB 360 POSEIDON ELITE ARGB 360(White)
CPU Socket CPU插座	Intel LGA1851 / LGA1700 / LGA1200 / LGA115X / LGA1366 AMD AM5 / AM4 / AM3 / AM2 / FM2 / FM1
Water Block & Pump 水冷頭 & 幫浦	
Dimensions (WxDxH) 尺寸	82.9 x 73.3 x 50.7mm
Cold Plate Material 水冷板材質	Copper 銅
Pump Speed 幫浦轉速	2700 ± 10% RPM
Rated Voltage 額定電壓	12 VDC
Rated Current 額定電流	0.35 A
Power Consumption 電力功耗	4.2 W
Connector 接頭 & 控制線	Pump 幫浦: 2510-3Pin Lights RGB燈: 5V-3Pin ARGB
Radiator 水冷排	
Dimension (WxDxH) 尺寸	392 x 121 x 27mm
Material 材質	Aluminium Alloy 鋁合金

Tubing 水冷管		
Length 長度	400 mm	
Fans 風扇		
Fan Quantity 風扇數量	3	
Dimensions (WxDxH) 尺寸	120 x 120 x 25 mm	
Fan Speed 風扇轉速	500-2200 RPM ±10%	
Air Flow 風量	62.53 CFM	
Air Pressure 風壓	2.4 mmH2O	
Acoustic Noise 運轉聲響	33.5 dB(A)	
Power Consumption 電力功耗	3.6 W (Fan) / 3 W (LED)	
Rated Current 額定電流	0.3 A (Fan) / 0.6 A (LED)	
Rated Voltage 額定電壓	12 VDC (Fan) / 5 VDC (LED)	
Connector & Control 接頭 & 控制線	Fan 轉速:2510-4Pin PWM Lights 燈效: 5V-3Pin ARGB	

The above specifications may vary by country or region

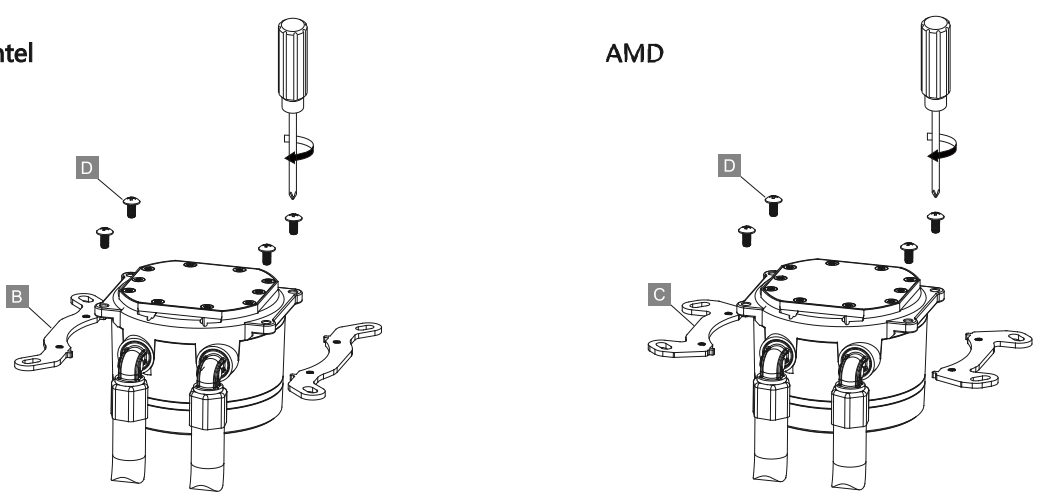
INSTALL CONTENTS 配件清單



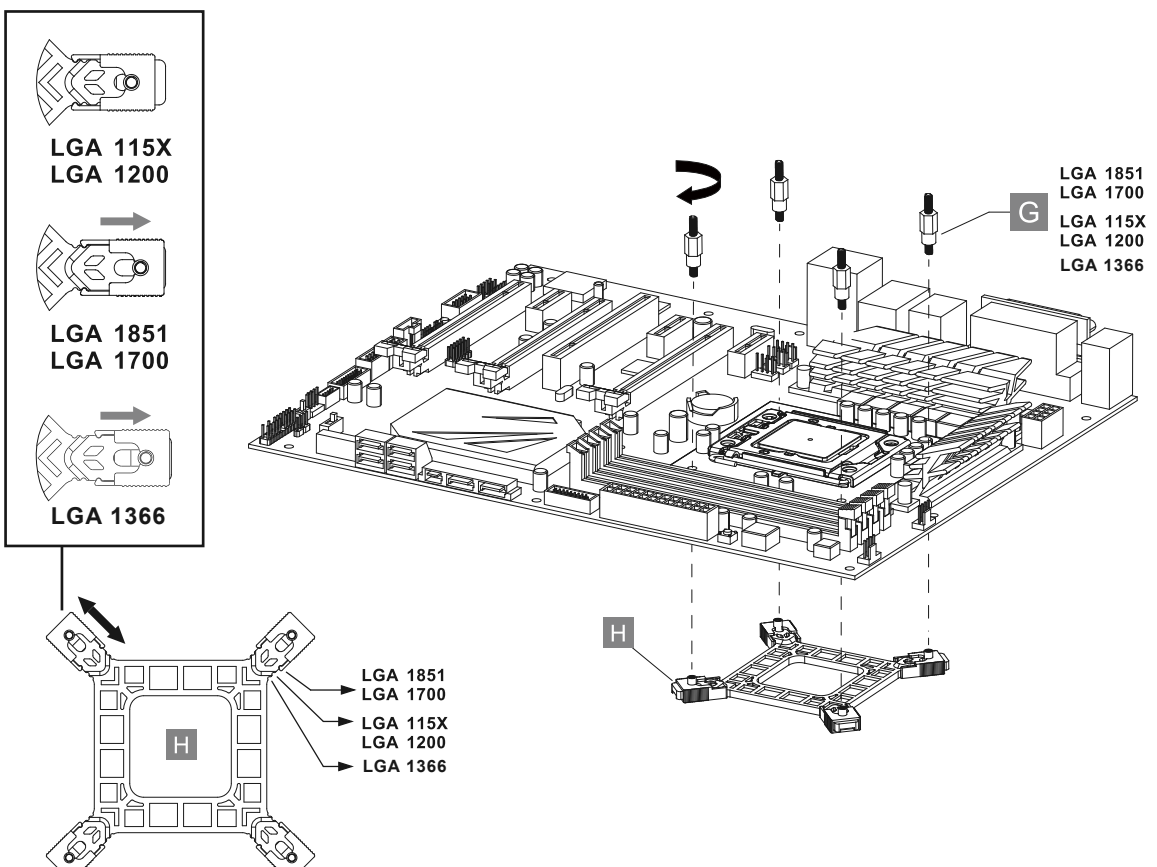
PREPARATION 準備工作

Intel

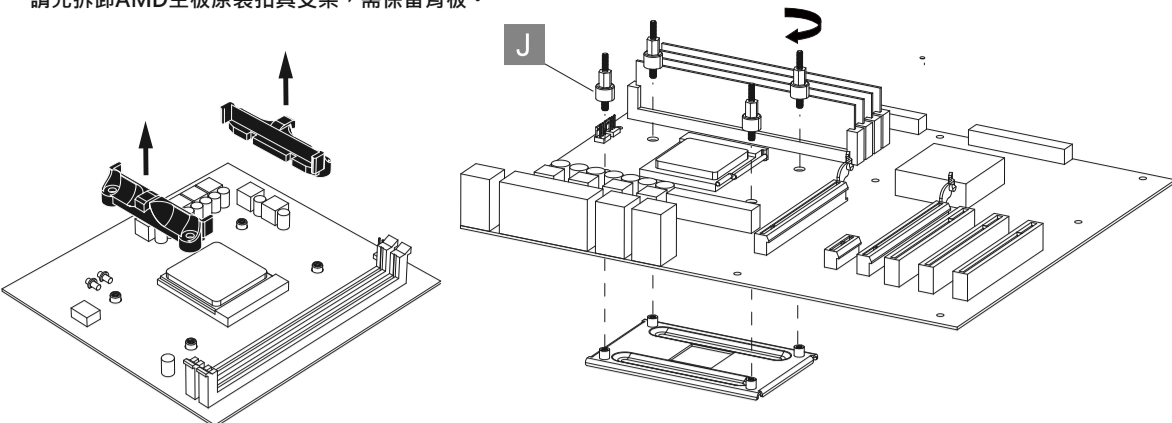
AMD



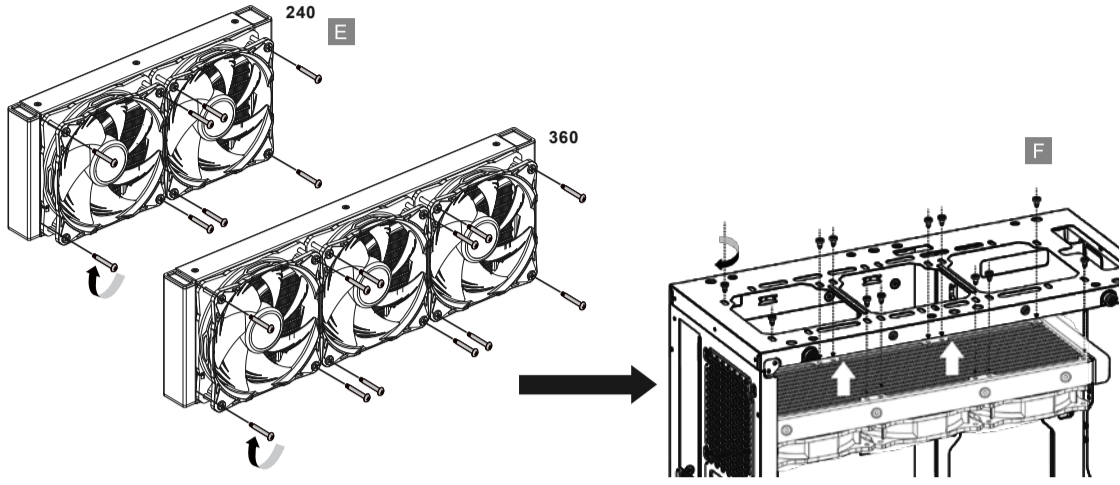
Intel LGA 1851 / 1700 / 115X / 1200 / 1366



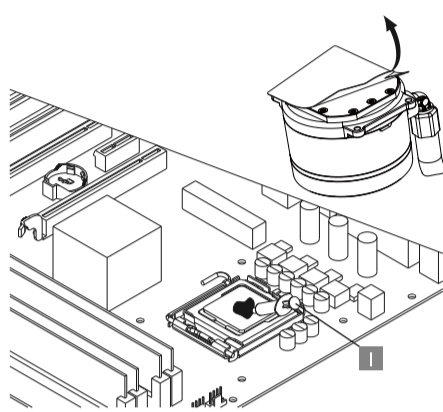
Please remove the original bracket of AMD first, and keep the backplate.
請先拆卸AMD主板原裝扣具支架，需保留背板。



INSTALLATION

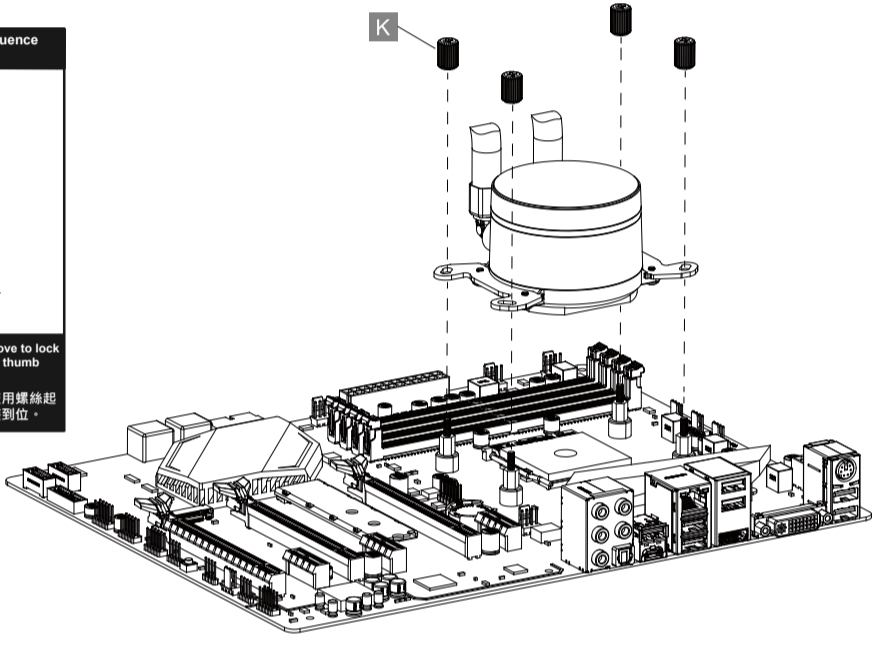


Notice :
Please remove the protection tape before installing.
請在安裝前撕掉銅底保護膜。



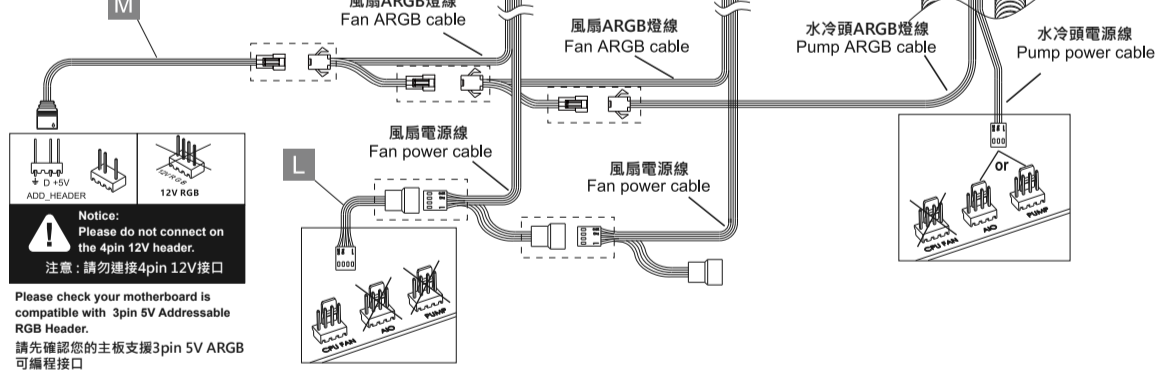
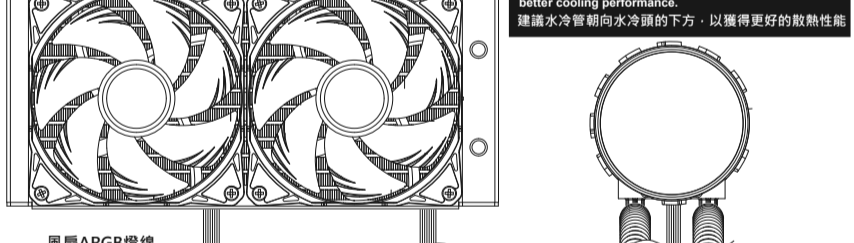
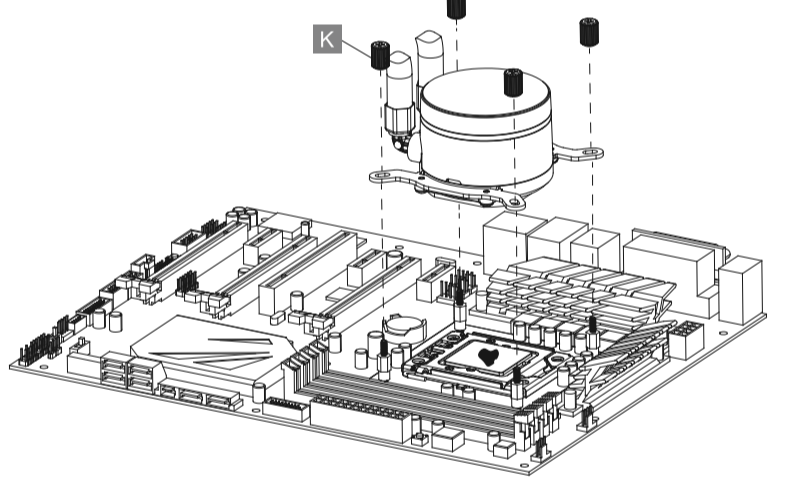
The suggestion of the screw sequence
手擰螺母鎖固順序建議

Please follow the sequence above to lock the bracket, and make sure the thumb screws are well installed.
請依照上述對角交叉順序，使用螺絲起子鎖緊螺母，並確保螺母安裝到位。



The suggestion of the screw sequence
手擰螺母鎖固順序建議

Please follow the sequence above to lock the bracket, and make sure the thumb screws are well installed.
請依照上述對角交叉順序，使用螺絲起子鎖緊螺母，並確保螺母安裝到位。



- Matters needing attention:**
- Please connect the ARGB port to the motherboard header or the ARGB controller.
 - The power port of pump head must be connected to AIO PUMP port, otherwise it will seriously affect the performance.
 - If there is no AIO PUMP port, please plug into the system fan port and set the port fan mode to PWM mode.
- 注意事項:**
- 請將ARGB接頭連接到主板接口或是ARGB控制器。
 - 水冷頭電源線必須連接到AIO PUMP插座，否則會嚴重影響性能。
 - 如果沒有AIO PUMP插座，請將水冷頭電源線接到系統風扇插座，並把風扇模式設置為PWM模式。

POSEIDON ELITE ARGB 240

Poseidon Elite ARGB 240	Fan x 2	User Manual x 1
Mounting Kit x 1	4Pin PWM Fan Extension Cable x 1	5V 3Pin ARGB Light Extension Cable x 1

POSEIDON ELITE ARGB 360

Poseidon Elite ARGB 360	Fan x 3	User Manual x 1
Mounting Kit x 1	4Pin PWM Fan Extension Cable x 1	5V 3Pin ARGB Light Extension Cable x 1

GLOBAL WARRANTY POLICY

WARRANTY PERIODS OF COUGAR GAMING DEVICES
Product : COUGAR POSEIDON ELITE ARGB series CPU liquid cooler
Warranty : 3 Years
This warranty gives you specific legal rights. You may also have other rights granted under local law. These rights may vary.

CONDITIONS WHERE FREE MAINTENANCE IS NOT PROVIDED

- Any fault or damage caused by natural disasters (including storm, fire, flood, thunder, earthquake, etc).
- Any fault or damage caused by accidental factors and man-made reasons (including hit, scrape, crash, moving, compression, stain, corrosion, use of incurred on unsuitable voltage, computer virus, riot, misuse, malicious damage, etc).
- Use in an improper operating environment (including high temperature, high humidity, water inflow, etc).
- Inability to provide the product warranty card, purchase receipt or invoice to prove the product is still within the warranty period and the shipping date of the product is out of warranty.
- The warranty card or product serial number has been altered or its number is hard to identify.
- The warranty period has expired.
- Any fault or damage caused by non-compliance with regulations stated on the user manual or improper, rough and careless treatment.
- Any fault or damage caused by use of parts not certified by COUGAR original manufacturer.
- The problem is caused by improper repair or adjustment by the buyer or any manufacturer without authorization from COUGAR.
- The product is not acquired from an authorized distributor of the company or is acquired from illicit sources.
- Paper carton, instruction and other accessories are not warranted.

DISCLAIMERS

- COUGAR product is not authorized for use as critical components in life support device or for incorrect operation software or damage of the product.
- COUGAR is not liable for the death or malform of person or loss of property when product is using as, including but not limited to, medical equipment, military equipment, traffic equipment and disaster prevention system.
- COUGAR is not liable for any damages, expenses, lost data, lost revenues, lost savings, lost profits, or any incidental or consequential damages due to using defect product of COUGAR.

WARRANTY AGREEMENT

- If the product has defects in material or manufacture, COUGAR will provide product repair and replacement service within the warranty period.
- Our warranty service is based on the date of the invoice or warranty card (must be affixed with the store stamp).
- If you lose the aforementioned evidence, we will apply the original shipping date of the product as the beginning date of warranty period. The shipping date will be identified by the product serial number(S/N).

LEGAL NOTICES

This manual was created by Compucase Enterprise and may not be completely or partially copied, passed on, distributed or stored without written consent by Compucase Enterprise.
COUGAR® is a registered brand of Compucase Enterprise Other product and company names mentioned in this documentation may be brands or trademarks of their respective owners.
Compucase Enterprise reserves the right to make changes concerning the contents of the manual and the technical data of the product without previous announcement.

MANUFACTURER CONTACT

COUGAR
www.cougargaming.com

COUGAR USA Technical Service
Tel: (833) 256-3778
Mail:rma@compucaseusa.com

Compucase Enterprise Co.,Ltd.
All rights reserved. Made in China

