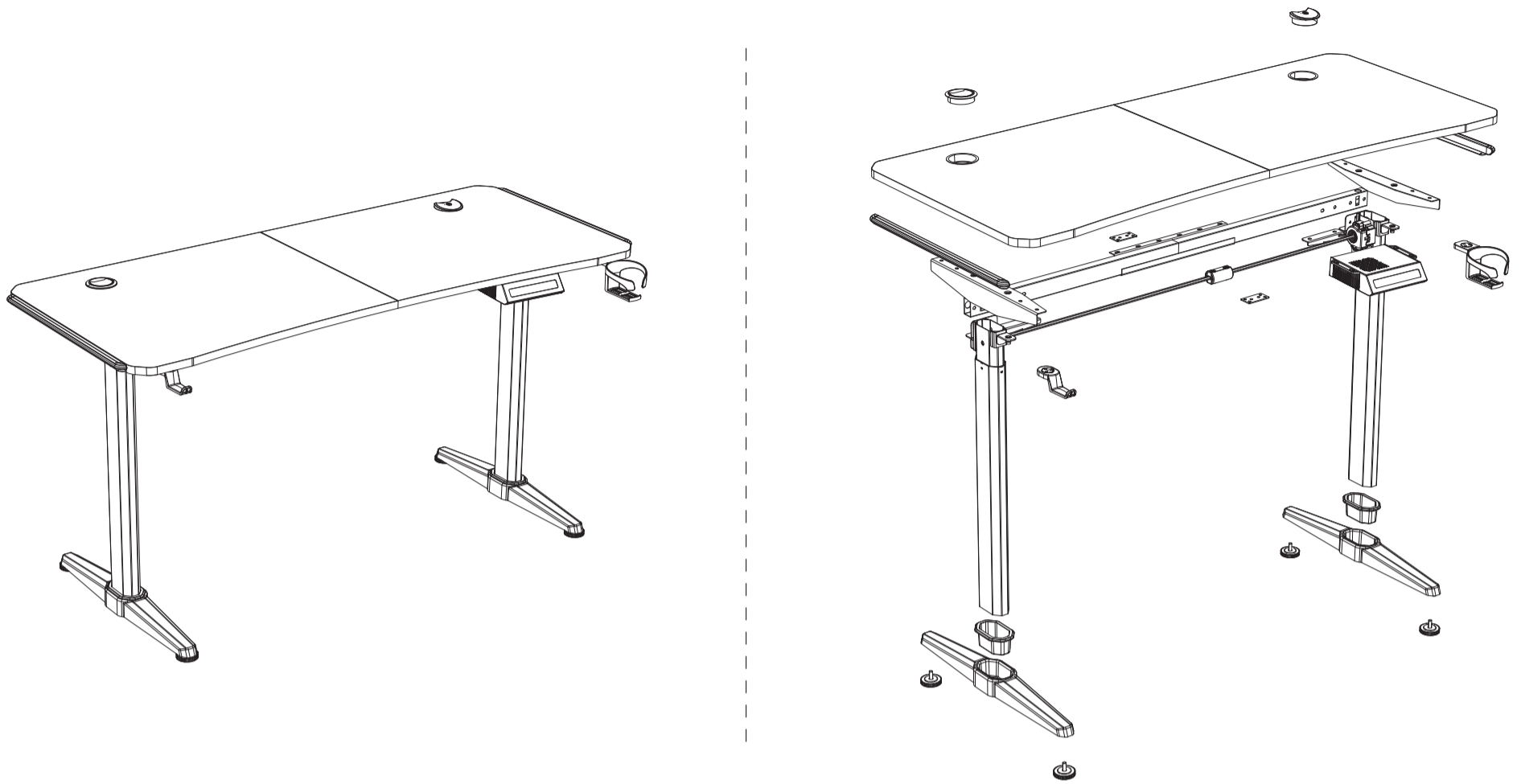


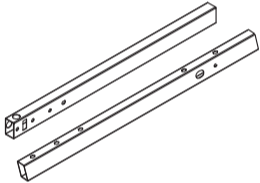
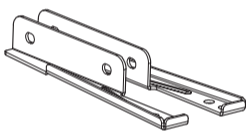

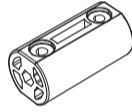
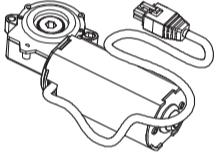
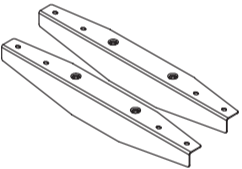
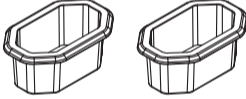
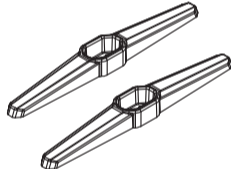

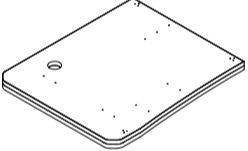
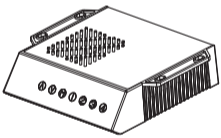
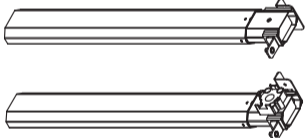
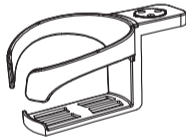
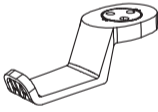
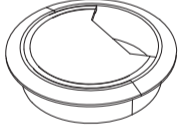
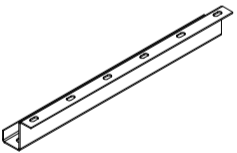


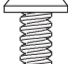


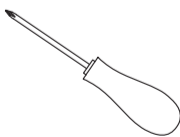





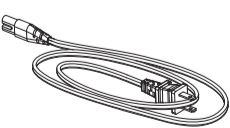

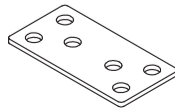

USER MANUAL

AD-D-DD1-1600L-01-B

anda seat

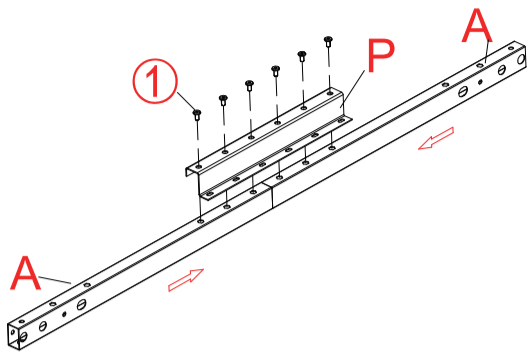


ACCESSORIES LIST

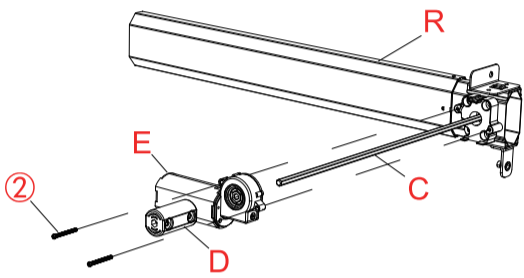
A  x2	B  x2	C  x1	D  x1	E  x1
F  x2	G  x2	H  x2	I  x4	J  x2
K  x1	L  R	M  x1	N  x1	O  x2
P  x1	Q  x1	S  x1		
1 M6×12  x24	2 M4×30  x2	3 M4  x2	4  x1	5 M6×30  x2
6 M6  x2	7 M8×25  x8	8 M4×14  x36	9 M4  x1	10  x1
11  x5	12  x2	13  x1		

ASSEMBLE GUIDE

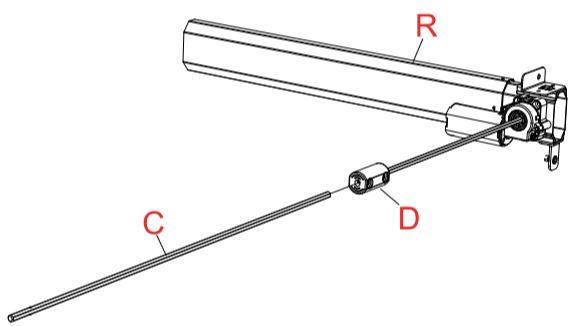
01



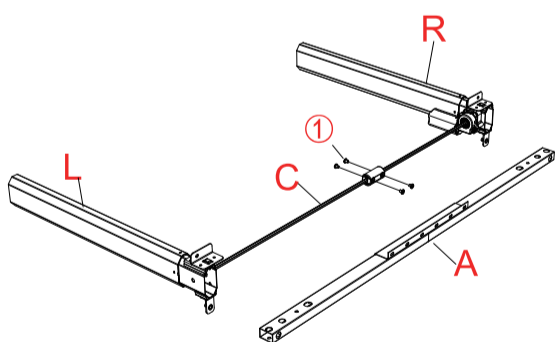
02



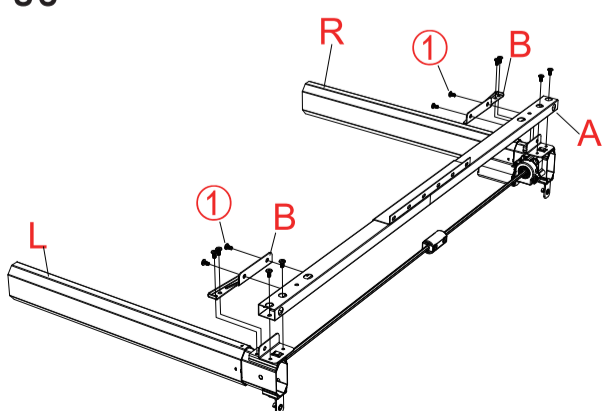
03



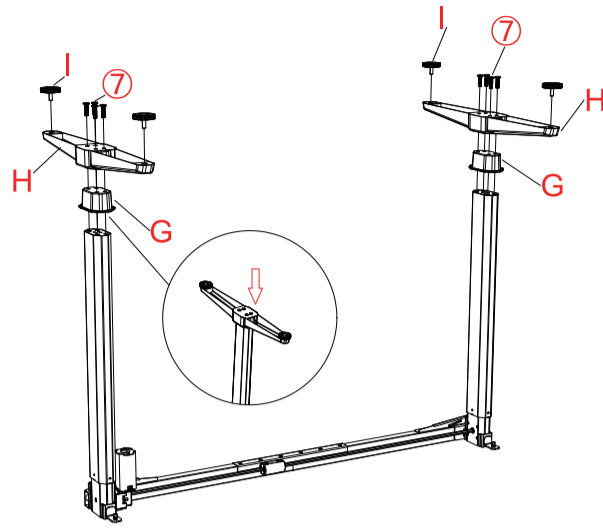
04



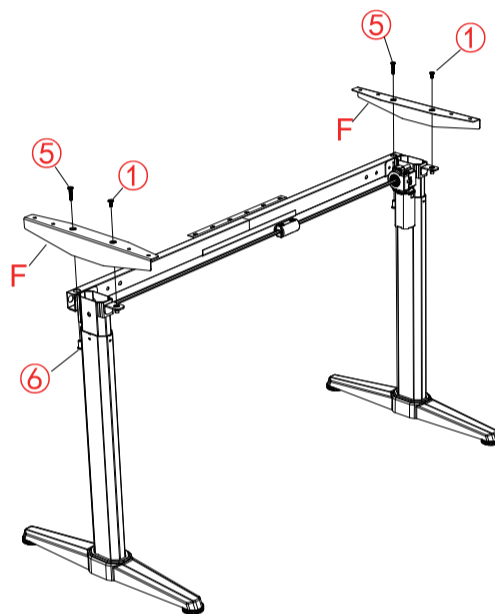
05



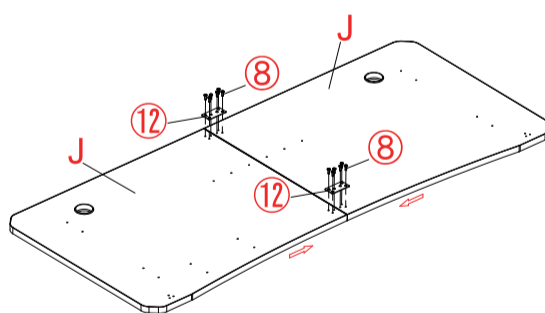
06



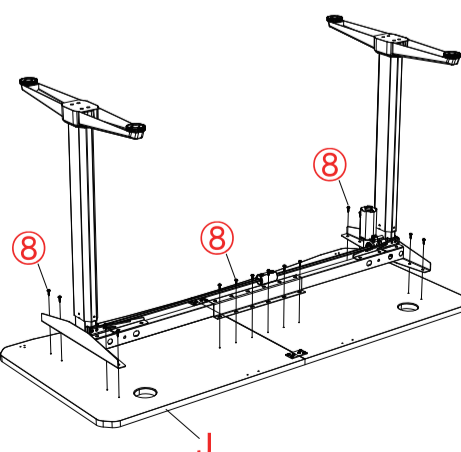
07



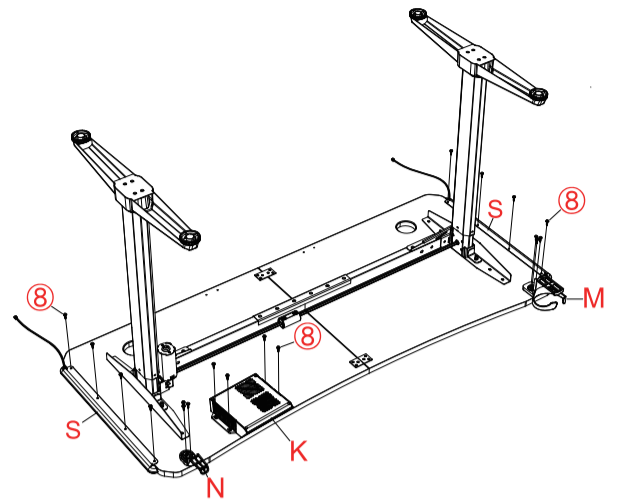
08



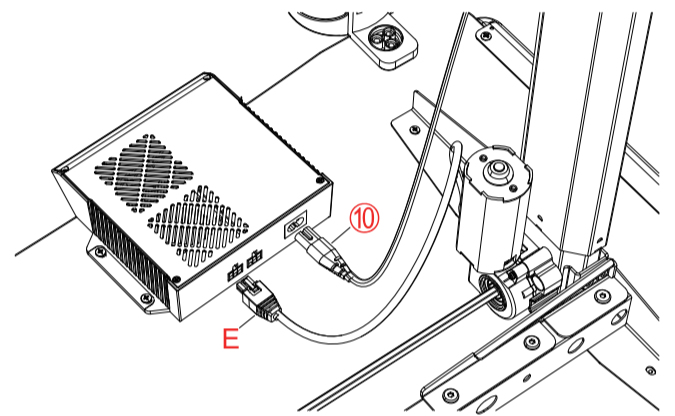
09



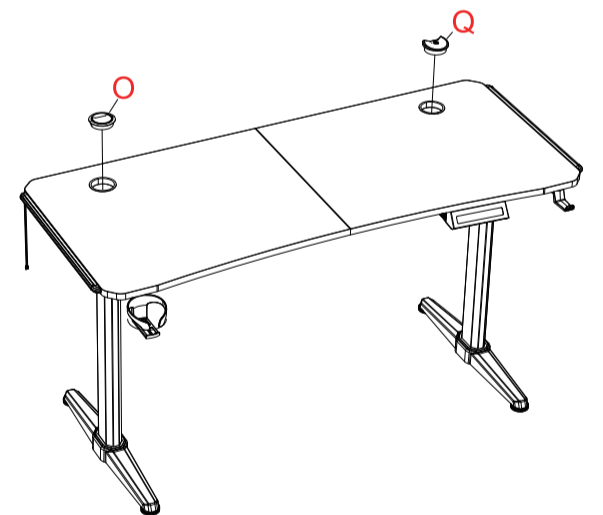
10



11



12



13

