



Husqvarna®



345BT

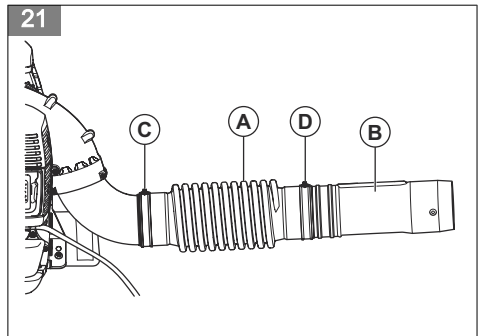
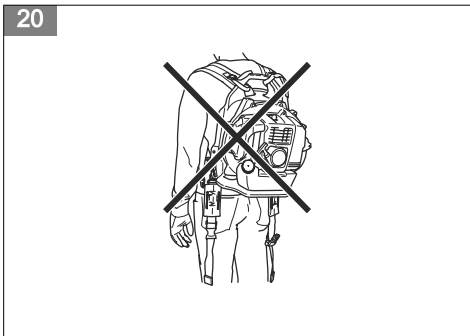
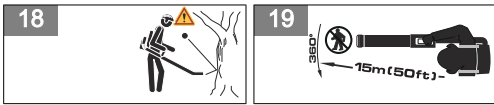
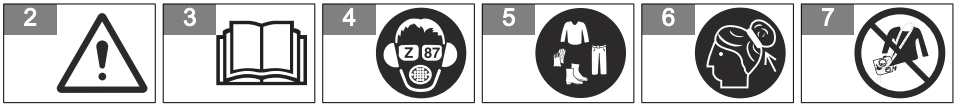
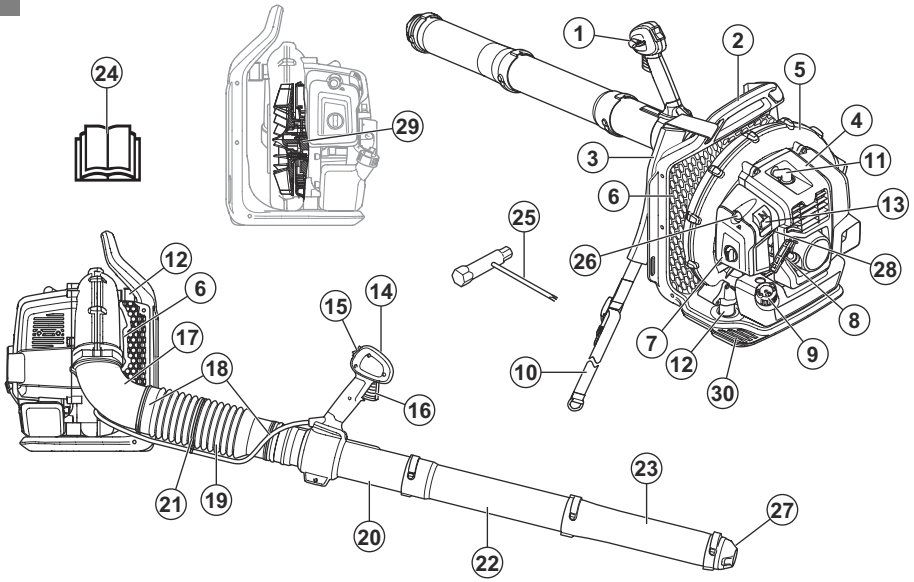
BP152HV



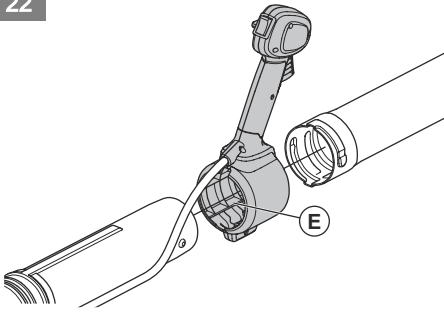
EN	Operator's manual	6-18
BG	Ръководство за експлоатация	19-31
BS	Korisnički priručnik	32-43
CS	Návod k použití	44-55
DA	Brugsanvisning	56-67
DE	Bedienungsanweisung	68-80
EL	Οδηγίες χρήσης	81-93
ES	Manual de usuario	94-106
ET	Kasutusjuhend	107-118
FI	Käyttöohje	119-130
FR	Manuel d'utilisation	131-142
HR	Priručnik za korištenje	143-154
HU	Használati utasítás	155-166
IT	Manuale dell'operatore	167-179
LT	Operatoriaus vadovas	180-191
LV	Lietošanas pamācība	192-203
NL	Gebruiksaanwijzing	204-215
NO	Bruksanvisning	216-226
PL	Instrukcja obsługi	227-239
PT	Manual do utilizador	240-251
RO	Instrucțiuni de utilizare	252-263
RU	Руководство по эксплуатации	264-276
SK	Návod na obsluhu	277-288
SL	Navodila za uporabo	289-300
SR	Priručnik za rukovaoca	301-312
SV	Bruksanvisning	313-323
TR	Kullanım kılavuzu	324-334
UK	Посібник користувача	335-349

BP152HV

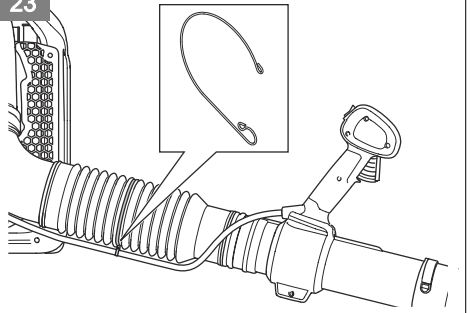
1



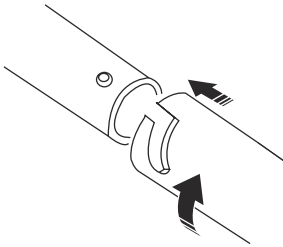
22



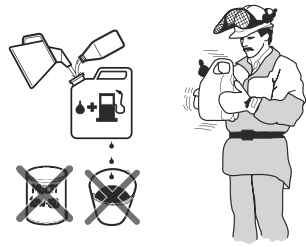
23



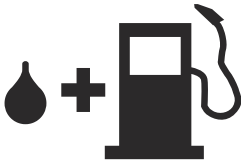
24



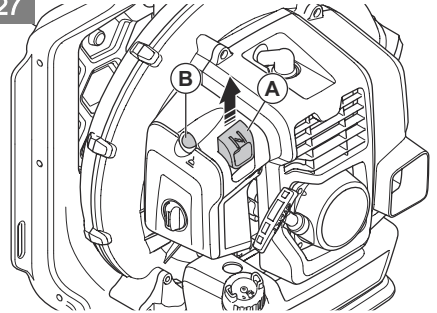
25



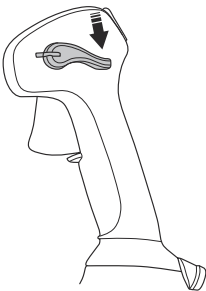
26



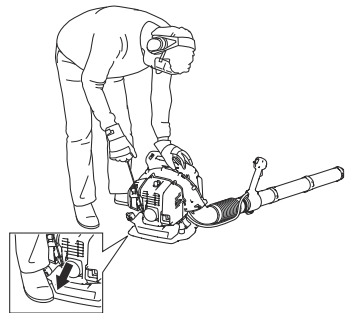
27



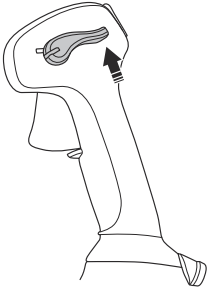
28



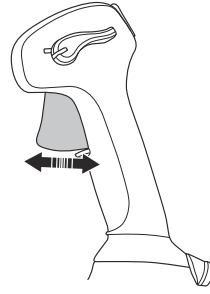
29



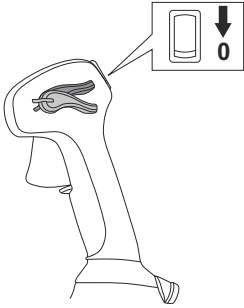
30



31



32



33



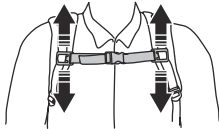
34



35



36



37



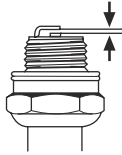
38



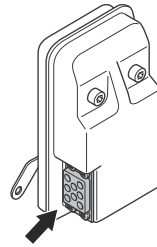
39



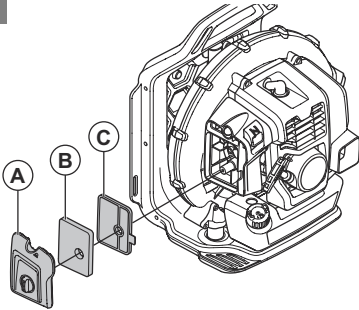
40



41



42



Contents

Introduction.....	6	Troubleshooting.....	14
Safety.....	7	Transportation and storage.....	15
Assembly.....	9	Technical data.....	16
Operation.....	10	EC Declaration of Conformity.....	17
Maintenance.....	12		

Introduction

Product description

This product is a backpack blower with a fuel engine.

We have a policy of continuous product development and therefore reserve the right to modify the design and appearance of products without prior notice.

Product overview

(Fig. 1)

1. Throttle control lever
2. Frame
3. Harness
4. Engine cover
5. Fan cover
6. Air intake screen
7. Air filter
8. Starter rope handle
9. Fuel tank
10. Waist belt
11. Spark plug
12. Vibration damping system
13. Choke control
14. Control handle
15. Stop switch with throttle control
16. Throttle trigger
17. Pipe angle
18. Clamp
19. Flexible hose
20. Control pipe
21. Cable clamp
22. Intermediate pipe
23. Blower nozzle
24. Operator's manual
25. Combination wrench
26. Air purge bulb
27. High speed nozzle
28. Idle adjustment screw
29. Fan
30. Foot plate

Intended use

Use the product to blow leaves and other unwanted material from areas such as lawns, pathways and asphalt roads.

Symbols on the product

- (Fig. 2) **WARNING!** This product can be dangerous and cause serious injury or death to the operator or others. Be careful and use the product correctly.
- (Fig. 3) Read the operator's manual carefully and make sure that you understand the instructions before use.
- (Fig. 4) Use approved hearing protection and approved eye protection. If the environment contains dust, use a breathing mask.
- (Fig. 5) Use approved protective gloves during operation and maintenance. Use protective boots or shoes with non-slip soles. Use clothing of strong fabric and of full length.
- (Fig. 6) Make sure that long hair is put above your shoulders.
- (Fig. 7) Do not wear jewelry or loose clothing during operation.
- (Fig. 8) Mixture of gasoline and two-stroke oil.
- (Fig. 9) Air purge bulb.
- (Fig. 10) Keep all body parts away from hot surfaces.
- (Fig. 11) Do not go near the impeller as it turns.

- (Fig. 12) Choke, open position.
- (Fig. 13) Choke, closed position.
- (Fig. 14) Idle adjustment screw.
- (Fig. 15) This product complies with applicable EC Directives.
- (Fig. 16) This product conforms to the applicable UK regulations.
- (Fig. 17) Noise emissions to the environment according to European Directive 2000/14/EC and New South Wales legislation "Protection of the Environment Operations (Noise Control) Regulation 2017". Noise emission data can be found on the machine label and in the Technical data chapter.

- (Fig. 18) Look out for thrown objects. Thrown objects can cause serious injury. Use personal protective equipment.

- (Fig. 19) Keep a safety distance at a minimum of 15 m to persons or animals.
- The rating plate or the laser printing shows the serial number. **yyyy** is the production year and **ww** is the production week.
- yyyywwxxxx**

Note: Other symbols/decals on the product refer to certification requirements for other commercial areas.

Product liability

As referred to in the product liability laws, we are not liable for damages that our product causes if:

- the product is incorrectly repaired.
- the product is repaired with parts that are not from the manufacturer or not approved by the manufacturer.
- the product has an accessory that is not from the manufacturer or not approved by the manufacturer.
- the product is not repaired at an approved service center or by an approved authority.

Safety

Safety definitions

The definitions below give the level of severity for each signal word.



WARNING: Injury to persons.



CAUTION: Damage to the product.

Note: This information makes the product easier to use.

General safety instructions



WARNING: Read the warning instructions that follow before you use the product.

- Do not do changes to the product without approval from the manufacturer and always use original accessories. Modifications and/or accessories that are not approved can result in serious injury or the death of the operator or others.

- Do not use a damaged product. Do the safety checks and maintenance given in this operator's manual. All other maintenance must be done by approved servicing personnel.
- All servicing and repair operations must be done by approved servicing personnel. If a part of the product is defective, speak to your servicing dealer.

Vibration safety

This product is for occasional operation only. Continuous or regular operation of the product can cause "white finger" or equivalent medical problems from vibrations. Examine the condition of your hands and fingers if you operate the product continuously or regularly. If your hands or fingers have discoloration, have pain, tingle, or are numb, stop work and speak to a physician immediately.

Safety instructions for operation



WARNING: Read the warning instructions that follow before you use the product.

- This product can be dangerous and cause serious injury or death to the operator or others. Be careful and use the product correctly.
- Do an inspection of the product before use. Refer to *Maintenance on page 12*.

- Do not operate the product when you are tired, ill or under the influence of alcohol or other drugs that can decrease your vision, judgment or coordination.
- Install all covers and guards before use. To prevent electrical shock, make sure that the spark plug cap and ignition cable are not damaged.
- Do not touch the spark plug or ignition cable when the engine is on.
- Keep a safety distance at a minimum of 15 m to persons or animals. If persons, children or animals come nearer than 15 m, stop the product. Point the product away from persons, animals, open windows and other objects.
- Do not let children operate the product. Make sure that all operators read and understand the contents of this operator's manual.
- Keep hands or other objects away from the blower housing during operation. Rotating parts can cause serious injury.
- Do not use the product if the air intake screen is not installed. Always make sure that the air intake screen is installed and not damaged before use.
- If an emergency occurs, release the waist belt and chest belt of the harness and let the product fall.
- Obey national regulations and directives.
- Keep all body parts away from hot surfaces.
- Too much vibration can cause damage to the circulation or the nervous system. Speak to your physician if you have symptoms, for example numbness, loss of feeling, tingling, pricking, pain, loss of strength or changes in skin color in your fingers, hands or wrists.
- Look out for thrown objects. Thrown objects can cause serious injury.
- Do not use the product in bad weather, for example fog, rain, strong winds and too cold environments. To do work in bad weather can cause tiredness and dangerous conditions.
- Make sure that you can move and keep a stable position. Do a check of the work area for possible obstacles, for example rocks. Be careful if you operate the product on a slope.
- Do not put the product on the ground with the engine on.
- Do not operate the product from high positions, for example on a ladder.
- Make sure that you can always be heard if an accident occurs.
- Make sure that the exhaust fume outlet is not blocked. To prevent damage to the product, keep obstacles at a minimum distance of 50 cm from the exhaust fume outlet.
- Do not start the product indoors, in bad airflow or near flammable material. The engine exhaust fumes contain carbon monoxide, which can cause carbon monoxide poisoning. The engine exhaust fumes are hot and can contain sparks which can start a fire.

Personal protective equipment



WARNING: Read the warning instructions that follow before you use the product.

- Use approved personal protective equipment when you use the product. Personal protective equipment cannot fully prevent injury but it can decrease the degree of injury. Speak to your dealer for more information.
- Use approved hearing protection. Long-term exposure to noise can result in permanent hearing damage.
- Use approved eye protection. If you use a visor, you must also use approved protective goggles. Approved protective goggles must agree with the ANSI Z87.1 standard in the USA or EN 166 in EU countries.
- Use protective gloves during operation and maintenance.
- Use protective boots or shoes with non-slip soles.
- Use clothing of strong fabric and of full length. Do not use jewelry or open shoes. To decrease the risk on injury, your clothing must be close-fitting but not limit your movements. Put your hair above your shoulders to prevent that your hair enters rotating parts or catches on branches.
- Use breathing protection when there is a risk of dust.
- Keep first aid equipment near.

Safety devices on the product



WARNING: Read the warning instructions that follow before you use the product.

- Do not use a product with defective safety devices.
- Do a check of the safety devices regularly. Refer to *Maintenance on page 12*.
- If the safety devices are defective, speak to your Husqvarna servicing dealer.

To do a check of the muffler



WARNING: Do not use a product with a defective muffler.



WARNING: The muffler becomes very hot during and after operation, also at idle speed. Use protective gloves to prevent burn injuries.



WARNING: The inner side of the muffler contains chemicals that may be

carcinogenic. Do not touch the muffler if it is damaged.

- Regularly do a visual check of the muffler. The muffler keeps noise levels to a minimum and sends exhaust fumes away from the operator. Refer to *To examine and clean the cooling system on page 13*.

To do a check of the vibration damping system

1. Make sure that there are no cracks or deformation on the vibration damping units.
2. Make sure that the vibration damping units are correctly attached to the engine unit and handle unit.

Refer to *Product overview on page 6* for information about where the vibration damping system is on your product.

To do a check of the start/stop switch

1. Use the start/stop switch to stop the engine.
2. Make sure that the engine stops fully.

To see where the start/stop switch is on your product, refer to *Product overview on page 6*.

Harness safety

Always use the harness when you operate the product. If you do not use the harness, you cannot operate the product safely. This can result in injury to you or other persons. Make sure that the waist belt and chest strap are attached and correctly adjusted. There is a risk that an open belt can go into the fan of the product.

(Fig. 20)

Fuel safety



WARNING: Read the warning instructions that follow before you use the product.

- Do not mix or add the fuel indoors or near a heat source.
- Do not start the product if there is fuel or oil on the product or on your body.
- Do not start the product if the engine has a fuel leak. Examine the engine for fuel leaks regularly.
- Always be careful with fuel. Fuel is flammable and the fuel fumes are explosive and can cause serious injury or death.
- Do not breathe in the fuel fumes, it can cause injury. Make sure that there is a sufficient airflow.
- Do not smoke near the fuel or the engine.
- Do not put the product or a fuel container near warm objects, an open flame, a spark or a pilot light.
- Always use approved containers for storage and transportation of fuel.

Safety instructions for maintenance



WARNING: Read the warning instructions that follow before you use the product.

- Stop the engine, remove the spark plug and let the engine become cool before maintenance and assembly.
- A blocked spark arrestor screen causes the engine to become too hot which causes damage to the engine.
- If the spark arrestor screen is frequently blocked, it can be a sign that performance of the catalytic converter is decreased. Speak to your servicing dealer to examine the muffler.

Assembly

Introduction



WARNING: Read and understand the safety chapter before you assemble the product.

To assemble the blower pipe and the control handle on the product

Note: Lubricate the tubes and flexible hose to make them easier to assemble.

1. Attach the flexible hose (A) to the pipe angle and the control pipe (B) with the clamps (C) and (D). (Fig. 21)
2. Attach the handle holder (E) to the control pipe. Align the handle holder with the flange on the control pipe. (Fig. 22)
3. Adjust the position of the control handle to a safe and correct work position. Tighten the knob.
4. Attach the cable to the flexible hose with the cable clamp. (Fig. 23)
5. Attach the intermediate pipe to the control pipe. (Fig. 24)
6. Attach the blower nozzle to the intermediate pipe.

Note: The blower nozzle can only be installed on the intermediate pipe.

7. For higher air speed, attach the high speed nozzle to the blower nozzle.

Operation

Introduction



WARNING: Read and understand the safety chapter before you use the product.

Fuel

This product has a two-stroke engine.



CAUTION: Incorrect type of fuel can result in engine damage. Use a mixture of gasoline and two-stroke oil.

Premixed fuel

- Use Husqvarna premixed alkylate fuel for best performance and extension of the engine life. This fuel contains less harmful chemicals compared to regular fuel, which decreases harmful exhaust fumes. The quantity of remains after combustion is lower with this fuel, which keeps the components of the engine more clean.

To mix fuel

Gasoline

- Use good quality unleaded gasoline with a maximum of 10% ethanol contents.



CAUTION: Do not use gasoline with an octane grade less than 90 RON/87 AKI. Use of a lower octane grade can cause engine knocking, which causes engine damages.

Two-stroke oil

- For best results and performance use Husqvarna two-stroke oil.
- If Husqvarna two-stroke oil is not available, use a two-stroke oil of good quality for air-cooled engines. Speak to your servicing dealer to select the correct oil.



CAUTION: Do not use two-stroke oil for water-cooled outboard engines, also referred to as outboard oil. Do not use oil for four-stroke engines.

To mix gasoline and two-stroke oil

Gasoline, liter	Two-stroke oil, liter
	2% (50:1)
5	0.10
10	0.20
15	0.30
20	0.40



CAUTION: Small errors can influence the ratio of the mixture drastically when you mix small quantities of fuel. Measure the quantity of oil carefully and make sure that you get the correct mixture.

(Fig. 25)

1. Fill half the quantity of gasoline in a clean container for fuel.
2. Add the full quantity of oil.
3. Shake the fuel mixture.
4. Add the remaining quantity of gasoline to the container.
5. Carefully shake the fuel mixture.



CAUTION: Do not mix fuel for more than 1 month at a time.

To fill the fuel tank



WARNING: Obey the procedure that follows for your safety.

1. Stop the engine and let the engine become cool.
2. Clean the area around the fuel tank cap. (Fig. 26)
3. Shake the container and make sure that the fuel is fully mixed.
4. Remove the fuel tank cap slowly to release the pressure.
5. Fill the fuel tank.



CAUTION: Make sure that there is not too much fuel in the fuel tank. The fuel expands when it becomes hot.

6. Tighten the fuel tank cap carefully.
7. Clean fuel spillage on and around the product.
8. Move the product 3 m/10 ft or more away from the refueling area and fuel source before you start the engine.

Note: To see where the fuel tank is on your product, refer to *Product overview on page 6*.

To start a cold engine



WARNING: Air is released as soon as the engine is started, even when it idles. Do not let anyone stand close to the blower or the blower tube.

1. If the engine is cold, put the choke control (A) to the closed choke position. Refer to *Symbols on the product on page 6*. (Fig. 27)
2. Push the air purge bulb (B) again and again for a minimum of 10 times and fuel starts to fill the air purge bulb. It is not necessary to fill the air purge bulb fully.
3. Put the throttle control in the fast idle position. Align the guide marks on the throttle control lever and the control handle. (Fig. 28)
4. Put the product on a flat surface on the ground.
5. Hold the product with the left hand and put your foot on the foot plate. (Fig. 29)
6. Pull the starter rope handle slowly with the right hand until resistance occurs.

Note: Do not pull the starter rope handle to full extension and do not let go of the starter rope handle.

7. Pull the starter rope handle quickly with the right hand until the engine starts or attempts to start, maximum 6 times. If the engine starts, move the choke lever gradually to the open position and continue to step 11. If the engine does not start, continue to step 9.
8. When the engine attempts to start, move the choke lever gradually to the open position.
9. Pull the starter rope handle quickly with the right hand until the engine starts, maximum 6 times.



Note: If the engine does not start, repeat the starting instructions from step 1.

10. Let the engine run for 30 seconds.
11. Put the throttle control at idle speed. (Fig. 30)

12. Push the throttle trigger to adjust the blower speed. Refer to *To use the throttle trigger on page 11*.

To start a warm engine

- If the ambient temperature is below 32°C / 90°F, use the same starting procedure as *To start a cold engine on page 11* but do not put the choke control in the closed choke position.
- If the ambient temperature is above 32°C / 90°F, use the same starting procedure as *To start a cold engine on page 11*.

To use the throttle trigger

- To increase the blower speed during operation, push the throttle trigger until you get the correct speed. (Fig. 31)
- To decrease the blower speed during operation, release the throttle trigger until you get the correct speed.

To start the engine when the fuel is too hot

If the product does not start, the fuel can be too hot.

Note: Always use new fuel and decrease the operation time during warm weather.

1. Put the product in a cool area away from open sunlight.
2. Let the product cool down for 20 minutes at minimum.
3. Press the air purge bulb again and again for 10-15 seconds.
4. Obey the procedure to start a cold engine. Refer to *To start a cold engine on page 11*.

To operate the product

- Operate the product at usual work hours. Obey local regulations.
- Decrease the pieces of equipment and select the correct speed for your task. Use the throttle at lowest position possible to prevent more noise and dust than necessary.
- Keep the blower nozzle near the ground.

Note: Husqvarna recommends that you use the full blower nozzle extension.

- Make a note of the wind direction and operate the product in the direction of the wind.
- Use applicable garden tools to release material from the ground.
- In areas with dust, use spray equipment to wet the area. This decreases the operation time.
- After operation, keep the product in storage vertically.

To stop the product



CAUTION: Do not stop the product at full speed.

1. Push the stop switch. (Fig. 32)

Note: When the product stops, you can hear a knock sound. This is typical and is not an indication of a defective product.

To adjust the harness

1. Put on the harness of the product.

2. Put the waist belt around your waist and connect the belt buckle for the waist strap. (Fig. 33)
3. Tighten the waist belt strap. (Fig. 34)
4. Connect the belt buckle for the chest strap. (Fig. 35)
5. Adjust the position of the chest strap. (Fig. 36)
6. Tighten the chest strap. (Fig. 37)
7. Tighten the shoulder straps until the product is tight against your body. (Fig. 38)
8. Tighten the load lifter straps. (Fig. 39)

Maintenance

Introduction



WARNING: Read and understand the safety chapter before you do maintenance on the product.

Maintenance schedule

Maintenance	Daily	Weekly	Monthly
Clean the external surfaces.	X		
Make sure that the control handle operates correctly.	X		
Make sure that the start/stop switch operates correctly. Refer to <i>To do a check of the start/stop switch on page 9.</i>	X		
Examine the engine, the fuel tank and the fuel lines for leaks. Examine the fuel filter for contamination. Replace the fuel filter if it is necessary.	X		
Clean the air filter. Replace the air filter if it is necessary.	X		
Tighten nuts and screws.	X		
Examine the air intake and make sure that it is not blocked.	X		
Examine the starter and the starter rope for damages.		X	
Examine the vibration damping units for damages, cracks and deformation. Make sure that the vibration damping units are correctly installed.		X	
Examine the spark plug. Refer to <i>To do a check of the spark plug on page 13.</i>		X	
Clean the cooling system.		X	
Clean the external surface of the carburetor and the area around it.		X	
Clean the fuel tank.			X
Examine all cables and connections.			X
Examine and clean the spark arrestor screen on the muffler (for products without catalytic converter).		X	

Maintenance	Daily	Weekly	Monthly
Examine and clean the spark arrestor screen on the muffler (for products with catalytic converter).			X
Examine the spark plug. Replace if it is necessary.			X

To adjust the idle speed

1. Make sure that the air filter is clean and that the air filter cover is attached.
2. Adjust the idle speed with the idle speed screw. To see where the idle speed screw is on your product, refer to *Product overview on page 6*.

To do a check of the spark plug



CAUTION: Use the recommended spark plug. Refer to *Technical data on page 16*. An incorrect spark plug can cause damage to the product.

1. Stop the engine and let the product become cool.
2. Clean the spark plug if it is dirty.
3. Make sure that the electrode gap is correct. Refer to *Technical data on page 16*. (Fig. 40)
4. Replace the spark plug monthly or more frequently if it is necessary.

To do maintenance on the muffler



CAUTION: If the spark arrestor screen is frequently blocked, it can be a sign that performance of the catalytic converter is decreased. Speak to your servicing dealer to examine the muffler. A blocked spark arrestor screen causes overheating and results in damage to the cylinder and piston.



CAUTION: The spark arrestor screen must be replaced if it is damaged. Do not use a product if the spark arrestor screen on the muffler is missing or defective.

- Clean the spark arrestor screen on the muffler. Use a wire brush. (Fig. 41)
- Let a servicing dealer replace or do service on the muffler and the spark arrestor screen after 50 hours of operation.

To examine and clean the cooling system

The cooling system includes the cooling fins on the cylinder and the air intake screen.

1. Stop the engine.
2. Make sure that the cooling system is not dirty or blocked. If it is necessary, clean the air intake screen and cooling fins.



CAUTION: A dirty or blocked cooling system can increase the temperature of the engine and cause damage to the product. A clogged air intake screen decreases the blow force.

3. Examine the cooling system for damages. Make sure that the parts are attached correctly to the product.

To clean the air filter



CAUTION: Do not use a product without an air filter or with a damaged air filter. Dust in the air can cause damage to the engine.

1. Push the choke control to the closed position.
2. Remove the air filter cover (A).
3. Remove the pre-filter (B) from the air filter cover. (Fig. 42)
4. Remove the air filter (C) from the filter frame.
5. Clean the pre-filter and the air filter with warm water and soap.

Note: An air filter that has been used for a long time cannot be fully cleaned. Replace the air filter regularly and always replace a defective air filter.

6. Clean the inner surface of the air filter cover (A) with a brush.
7. Put the air filter in the filter frame.
8. Attach the pre-filter to the air filter cover.
9. Attach the air filter cover to the product.

Troubleshooting

The engine is not possible to start		
Check	Possible cause	Solution
Starter pawls.	Blocked or worn starter pawls.	Adjust or replace the starter pawl/s.
		Clean around the starter pawl/s.
		Speak to an approved servicing dealer.
Fuel tank.	Incorrect fuel type.	Drain the fuel tank and use correct fuel.
Carburetor.	Adjustment of the idle speed.	Adjust the idle speed with the idle adjustment screw.
Spark (no spark).	Spark plug is dirty or wet.	Make sure that the spark plug is dry and clean.
	Electrode gap on the spark plug is incorrect.	Clean the spark plug. Make sure that the electrode gap is correct.
		Refer to technical data for the correct electrode gap.
Spark plug.	Spark plug is loose.	Tighten the spark plug.
	There is unwanted material on the spark plug electrodes.	Make sure that the fuel mixture is correct.
		Make sure that the air filter is clean.

Engine starts but stops again		
Check	Possible cause	Solution
Fuel tank.	Incorrect fuel type.	Drain the fuel tank and use the correct fuel.
Carburetor.	Engine will not operate correctly at idle speed.	Speak to your servicing dealer.
Air filter.	Clogged air filter.	Clean the air filter.

Transportation and storage

Transportation and storage



WARNING: To prevent the risk of fire, make sure that there are no leaks or fumes during transportation or storage. Make sure that there is no risk of sparks or fire.

- Empty the fuel tank before transportation or long-term storage. Push the air purge bulb to make sure that all fuel is removed. Discard the fuel at an applicable disposal location.
- Make sure that the product is clean and that a full servicing is done before long-term storage.
- Remove the spark plug and put approximately 15 ml of two-stroke oil into the cylinder. Turn the product 3 times and install the spark plug again.
- Attach the product safely to the vehicle during transportation.
- Keep the product in a dry, cool and clean space with good airflow. Keep the product away from children.

Technical data

Technical data

Husqvarna 345BT (BP152HV)	
Engine	
Cylinder displacement, cm ³	51.7
Idle speed, rpm	2800
Catalytic converter	Yes
Ignition system	
Spark plug	NGK BPMR7A/Champion RCJ6Y
Electrode gap, mm	0.6–0.7
Spark plug torque, Nm	25–30
Fuel and lubrication system	
Fuel tank capacity, l/cm ³	1.0/1000
Weight	
Weight without fuel, kg	10.0
Noise emissions ¹	
Sound power level, measured dB (A)	110
Sound power level, guaranteed L _{WA} dB (A)	113
Sound levels ²	
Equivalent sound pressure level at the operator's ear, measured according to EN15503 dB(A):	
Equipped with blower nozzle (original)	101
Vibration levels ³	
Equivalent vibration levels (a _{hv,eq}) at handles, measured according to EN 15503, m/s ²	6.1
Fan performance	
Max. air velocity with high speed nozzle, m/s	98.3
Air flow without high speed nozzle, m ³ /min	13.9

¹ Noise emissions in the environment measured as sound power (L_{WA}) in conformity with EC directive 2000/14/EC. Reported sound power level for the machine has been measured with the original cutting attachment that gives the highest level. The difference between guaranteed and measured sound power is that the guaranteed sound power also includes dispersion in the measurement result and the variations between different machines of the same model according to Directive 2000/14/EC.

² Reported data for noise pressure level has a typical statistical dispersion (standard deviation) of 3.0 dB (A).

³ Reported data for vibration level has a typical statistical dispersion (standard deviation) of 1.5 m/s².

EC Declaration of Conformity

EC declaration of conformity

We, Husqvarna AB, SE 561 82 Huskvarna, SWEDEN, declare under our sole responsibility that the represented product:

Description	Gasoline Blower / Blower-vacuum
Brand	Husqvarna
Platform / Type / Model	Platform BP152HV, representing model 345BT.
Batch	Serial number dating 2022 and onwards.

complies fully with the following EU directives and regulations:

Directive/Regulation	Description
2006/42/EC	"relating to machinery"
2014/30/EU	"relating to electromagnetic compatibility"
2000/14/EC	"relating to outdoor noise"
2011/65/EU	"restriction of use of certain hazardous substances"

Harmonized standards and/or technical specifications applied are as follows: EN ISO 12100:2010, EN 15503:2009+A2, CISPR 12:2007, EN ISO 14982:2009, EN IEC 63000:2018, EN IEC 63000:2018

In accordance with directive 2000/14/EC, Annex V, the declared sound values are stated in the technical data section of this manual.

TÜV Rheinland has carried out a voluntary examination on behalf of Husqvarna AB, providing AM 50391742

- Certificate of conformity to EC Council directive 2006/42/EC for machinery.

The certificate is applicable to all manufacturing locations and Countries of Origin, as stated on the product.

The supplied gasoline blower / blower-vacuum conforms to the example that underwent examination.

On behalf of Husqvarna AB, SE-561 82 Huskvarna, SWEDEN,



Pär Martinsson

Responsible for technical documentation



UK declaration of conformity

We, Husqvarna AB, SE 561 82 Huskvarna, SWEDEN, declare under our sole responsibility that the product:

Description	Gasoline Blower / Blower-vacuum
Brand	Husqvarna
Platform / Type / Model	Platform BP152HV, representing model 345BT.
Batch	Serial number dating 2022 and onwards.

John Thompson

Responsible for technical documentation

**UK
CA**

UK Importer:
Husqvarna UK Ltd
Preston Road, Co. Durham
DL5 6UP

complies fully with the following UK directives and regulations:

Directive/Regulation	Description
2008/1597	The Supply of Machinery (Safety) Regulations 2008
2016/1091	Electromagnetic Compatibility Regulations 2016
2001/1701	The Noise Emission in the Environment by Equipment for use Outdoors Regulations 2001
2012/3032	The restriction of the use of Certain Hazardous Substances in Electrical and Electronic Equipment 2012

Harmonized standards and/or technical specifications applied are as follows: EN ISO 12100:2010, EN 15503:2009+A2, CISPR 12:2007, EN ISO 14982:2009, EN IEC 63000:2018, EN IEC 63000:2018

In accordance with statutory instrument 2001/1701, conformity assessment procedure, schedule 9, the declared sound values are stated in the technical data section of this manual.

The supplied gasoline blower / blower-vacuum conforms to the example that underwent examination.

On behalf of Husqvarna AB, SE-561 82 Huskvarna, SWEDEN,



Съдържание

Въведение.....	19	Отстраняване на проблеми.....	28
Безопасност.....	20	Транспорт и съхранение.....	29
Монтаж.....	23	Технически характеристики.....	30
Операция.....	23	Декларация за съответствие на ЕО.....	31
Поддръжка.....	26		

Въведение

Описание на продукта

Този продукт е преносимо компресорно оборудване с двигател с вътрешно горене.

Ние имаме политика на непрекъснато усъвършенстване на продуктите и затова си запазваме правото да променяме тяхната конструкция и външен вид без предизвестие.

Общ преглед на продукта

(Фиг. 1)

1. Лост за управление на регулатора на дроселната клапа
2. Рамка
3. Самар
4. Капак на електродвигателя
5. Капак на вентилатора
6. Филтър на смукателния въздухопровод
7. Въздушен филтър
8. Дръжка на възето на стартера
9. Резервоар за гориво
10. Колан
11. Запалителна свещ
12. Антивибрационна система
13. Смукач
14. Ръкохватка за управление
15. Превключвател за спиране с регулатор на дроселната клапа
16. Регулатор за газта
17. Тръбно коляно
18. Скоба
19. Мека връзка
20. Основна тръба
21. Скоба на кабел
22. Междинна тръба
23. Дюза за компресорно оборудване
24. Инструкция за експлоатация
25. Комбиниран гаечен ключ
26. Купол на горивната помпа
27. Високоскоростен накрайник
28. Регулиращ винт за обороти на празен ход
29. Вентилатор

Предназначение

Използвайте продукта за събиране на листа или други нежелани предмети от зони като морави, пътеки и асфалтирани пътища.

30. Опора за крака

Символи върху машината

- (Фиг. 2) **ПРЕДУПРЕЖДЕНИЕ!** Този продукт може да бъде опасен и да причини сериозно нараняване или смърт на оператора или други хора. Внимавайте и използвайте продукта правилно.
- (Фиг. 3) Прочетете внимателно ръководството за оператора и се уверете, че разбирате инструкциите, преди да използвате машината.
- (Фиг. 4) Използвайте одобрени антифони и защитни средства за очите. Ако в околната среда има прах, използвайте предпазна маска.
- (Фиг. 5) Използвайте одобрени защитни ръкавици по време на работа и техническо обслужване. Използвайте защитни ботуши или обувки с противоплъзгащи подметки. Носете дрехи от здрав плат и с дълги ръкави/крачоли.
- (Фиг. 6) Уверете се, че дългата коса е вдигната над раменете.
- (Фиг. 7) Не носете бижута или широки дрехи по време на работа.
- (Фиг. 8) Смес от бензин и масло за двутактов двигател.

- (Фиг. 9) Купол на горивната помпа.
- (Фиг. 10) Дръжте всички части на тялото си далеч от горещите повърхности.
- (Фиг. 11) Не се приближавайте до ротора, когато работи.
- (Фиг. 12) Смукач, отворено положение.
- (Фиг. 13) Смукач, затворено положение.
- (Фиг. 14) Регулиращ винт за обороти на празен ход.
- (Фиг. 15) Този продукт отговаря на изискванията на приложимите директиви на ЕО.
- (Фиг. 16) Този продукт съответства на приложимите регламенти на Обединеното кралство.
- (Фиг. 17) Шумови емисии към околната среда съгласно Европейска директива 2000/14/ЕО и законодателството на Нов Южен Уелс "Регламент 2017 относно защитата от дейности, оказващи влияние на околната среда (контрол на шума)". Данните за шумови емисии могат да бъдат намерени на етикета на машината и в главата „Технически характеристики“.

- (Фиг. 18) Внимавайте за хвърчащи предмети. Хвърчащите предмети могат да причинят сериозно нараняване. Използвайте лични предпазни средства.

- (Фиг. 19) Поддържайте минимално безопасно разстояние 15 m от хора и животни.

На типовата табелка или с лазерен печат е изписан серийният номер. **уууу** е годината на производство, а **ww** – седмицата на производство.

Забележка: Останалите символи/лепенки върху продукта се отнасят до изисквания по отношение на сертификати за други търговски зони.

Отговорност за продукта

Както е посочено в законите за отговорност за вреди, причинени от стоки, ние не носим отговорност за щети, причинени от нашия продукт, ако:

- продуктът е неправилно ремонтиран.
- продуктът е ремонтиран с части, които не са от производителя или не са одобрени от производителя.
- продуктът има принадлежност, която не е от производителя или не е одобрена от производителя.
- продуктът не е ремонтиран в одобрен сервизен център или от одобрен орган.

Безопасност

Дефиниции за безопасност

Дефинициите по-долу предоставят нивото на сериозност за всяка една предупредителна дума.



ПРЕДУПРЕЖДЕНИЕ:
Нараняване на лица.



ВНИМАНИЕ: Повреда на продукта.

Забележка: Тази информация прави продукта по-лесен за използване.

Общи инструкции за безопасност



ПРЕДУПРЕЖДЕНИЕ: Прочетете следващите предупредителни указания, преди да използвате продукта.

- Не правете изменения по продукта без одобрението на производителя и винаги използвайте оригинални принадлежности. Изменения и/или принадлежности, които не са одобрени, могат да доведат до сериозно нараняване или до смърт на оператора или други хора.
- Не използвайте повреден продукт. Извършете посочените в тази инструкция за експлоатация проверки за безопасност и техническо

обслужване. Цялото останало техническо обслужване трябва да се извърши от одобрен сервизен персонал.

- Всички операции по сервизно обслужване и ремонт трябва да се извършат от одобрен сервизен персонал. Ако дадена част от продукта е дефектна, обърнете се към Вашия сервизен дистрибутор.

Безопасност при вибрация

Този продукт е само за сравнително рядка работа. Продължителната или редовната работа с продукта може да доведе до „вибрационна болест“ или подобни медицински проблеми, причинени от вибрации. Ако работите продължително или често с продукта, проверявайте състоянието на ръцете и пръстите си. Ако ръцете или пръстите ви се обезцветяват, имате болка, изтръпване или схващане, спрете работа и незабавно се консултирайте с лекар.

Инструкции за безопасност за работа



ПРЕДУПРЕЖДЕНИЕ: Прочетете следващите предупредителни указания, преди да използвате продукта.

- Този продукт може да бъде опасен и да причини сериозно нараняване или смърт на оператора или други хора. Внимавайте и използвайте продукта правилно.
- Извършвайте проверка на продукта преди употреба. Направете справка с *Поддръжка на страница 26*.
- Не работете с продукта, когато сте уморени, болни или под въздействието на алкохол или лекарства, които могат да повлияят отрицателно върху зрението, преценката или координацията на движението.
- Монтирайте всички капаци и предпазители преди употреба. За да предотвратите електрически удар, се уверете, че лулата на запалителната свещ и запалителният кабел не са повредени.
- Не докосвайте запалителната свещ или запалителния кабел, когато двигателят работи.
- Поддържайте минимално безопасно разстояние 15 m от хора и животни. Ако хора, деца или животни се приближат на по-малко от 15 m, спрете продукта. Насочвайте продукта далеч от хора, животни, отворени прозорци и други обекти.
- Не позволявайте на деца да работят с продукта. Уверете се, че всички оператори са прочели и са разбрали съдържанието на настоящата инструкция за експлоатация.
- По време на работа дръжте ръцете си и други предмети далеч от корпуса на компресорното

оборудване. Въртящите се части могат да доведат до сериозно нараняване.

- Не използвайте продукта, ако филтърът на смукателния въздухпровод не е монтиран. Винаги се уверявайте, че филтърът на смукателния въздухпровод е монтиран и не е повреден преди употреба.
- При аварийна ситуация освободете колана и ремъка за гръдния кош на самара и оставете продукта да падне.
- Спазвайте националните разпоредби и директиви.
- Дръжте всички части на тялото си далеч от горещите повърхности.
- Прекомерните вибрации могат да навредят на кръвоносната или нервната система. Обърнете се към Вашия лекар, ако имате симптоми, като например изтръпване, загуба на сетивност, "иглички", бодежи, болка, загуба на сила или промени в цвета на кожата на пръстите, ръцете или китките.
- Внимавайте за хвърчащи предмети. Хвърчащите предмети могат да причинят сериозно нараняване.
- Не използвайте продукта в лошо време, например в условия на мъгла, дъжд, силен вятър и твърде ниски температури. Работата в лошо време може да доведе до умора и опасни състояния.
- Уверете се, че можете да се движите свободно и да поддържате стабилна позиция. Проверете работната зона за възможни препятствия, например скали. Бъдете внимателни, ако работите с продукта върху склон.
- Не оставяйте продукта върху земята с включен двигател.
- Не работете с продукта от високи позиции, например върху стълба.
- Уверете се, че винаги можете да бъдете чути при възникване на нещастен случай.
- Уверете се, че изходът за отработените газове не е запушен. За да предотвратите повреждането на продукта, не допускате препятствия на по-малко от 50 cm от изхода за отработените газове.
- Не стартирайте продукта на закрито, при лоша вентилация или близо до запалими материали. Отработените газове на двигателя съдържат въглероден окис, който може да предизвика отравяне с въглероден окис. Отработените газове са горещи и биха могли да съдържат искри, които да предизвикат пожар.

Лични предпазни средства



ПРЕДУПРЕЖДЕНИЕ: Прочетете следващите предупредителни указания, преди да използвате машината.

- При работа с машината използвайте одобрени лични предпазни средства. Личните предпазни средства не могат напълно да предотвратят нараняване, но могат да намалят степента на нараняването. Свържете се с Вашия дилър за повече информация.
- Използвайте одобрени антифони. Продължителното излагане на въздействието на шум може да доведе до невъзвратимо нарушаване на слуха.
- Използвайте одобрени защитни средства за очите. Ако използвате маска, използвайте също и одобрени защитни очила. Одобрените защитни очила трябва да отговарят на стандарт ANSI Z87.1 за САЩ или EN 166 за страните от ЕС.
- Носете защитни ръкавици по време на работа и техническо обслужване.
- Използвайте защитни ботуши или обувки с противоплъзгащи подметки.
- Носете дрехи от здрав плат и с дълги ръкави/крачоли. Не носете бижута и отворени обувки. За да намалите риска от нараняване, Вашите дрехи трябва да бъдат плтно прилепнали, но да не ограничават движенията Ви. Повдигнете косата си над раменете, за да не може тя да влезе във въртящите се части или да бъде захваната от клони.
- Използвайте средства за защита на дихателната система, когато има опасност от прах.
- Дръжте наблизо комплект за първа помощ.

Приспособления за безопасност на машината



ПРЕДУПРЕЖДЕНИЕ: Прочетете следващите предупредителни указания, преди да използвате машината.

- Не използвайте машина с неизправни приспособления за безопасност.
- Проверявайте редовно приспособленията за безопасност. Вижте *Поддръжка на страница 26*.
- Ако приспособленията за безопасност са дефектни, говорете с Вашия сервиз на Husqvarna.

За проверка на ауслуха



ПРЕДУПРЕЖДЕНИЕ: Не използвайте продукт с дефектен ауслух.



ПРЕДУПРЕЖДЕНИЕ: Ауслухът става много горещ по време на работа и след работа, както и при обороти на празен ход. Използвайте защитни ръкавици за предпазване срещу изгаряне.



ПРЕДУПРЕЖДЕНИЕ:

Вътрешната страна на ауслуха съдържа химикали, които може да са канцерогенни. Не докосвайте ауслуха, ако той е повреден.

- Правете редовно визуална проверка на ауслуха. Ауслухът е предназначен за максимално намаляване на нивата на шума и за отвеждане на отработените газове настрани от потребителя. Направете справка с *За проверка и почистване на системата за охлаждане на страница 27*.

За проверка на антивибрационната система

1. Уверете се, че няма пукнатини или деформация на антивибрационните модули.
2. Уверете се, че антивибрационните модули са закрепени здраво към двигателя и дръжката.

Вижте *Общ преглед на продукта на страница 19* за информация за това, къде се намира антивибрационната система.

За проверка на превключвателя за включване/изключване

1. Използвайте превключвателя за включване/изключване, за да спрете двигателя.
2. Уверете се, че двигателят е напълно спрял.

За да видите къде се намира превключвателя за стартиране/спиране върху Вашия продукт, направете справка с *Общ преглед на продукта на страница 19*.

Безопасност на самара

Винаги използвайте самара, когато работите с продукта. Ако не използвате самара, когато работите с продукта, няма да сте в безопасност. Това може да доведе до нараняване на самите Вас или на други хора. Уверете се, че коланът и ремъкът за гръдния кош са закрепени и правилно регулирани. Има риск разкопчан колан да попадне във вентилатора на продукта.

(Фиг. 20)

Безопасност при работа с гориво



ПРЕДУПРЕЖДЕНИЕ: Прочетете следващите предупредителни указания, преди да използвате машината.

- Не смесвайте и не наливайте гориво на закрито или близо до източник на топлина.
- Не стартирайте продукта, ако има масло или гориво върху продукта или върху Вашето тяло.
- Не стартирайте продукта, ако от двигателя изтича гориво. Проверявайте редовно двигателя за изтичане на гориво.

- Винаги внимавайте с горивото. Горивото е запалимо и неговите газове са взривоопасни и могат да доведат до тежко нараняване или смърт.
- Не вдишвайте горивните изпарения, това може да доведе до телесни увреждания. Уверете се, че има достатъчен въздушен поток.
- Не пушете близо до горивото или двигателя.
- Не поставяйте продукта или резервоара за гориво близо до горещи обекти, до открит огън, искри или постоянна малка горелка.
- Винаги използвайте одобрени контейнери за съхранение и транспортиране на гориво.
- Преди да пристъпите към техническо обслужване и монтаж, спрете двигателя, откачете запалителната свещ и оставете двигателя да изстине.
- Запушен филтър на искрогасителната мрежа ще предизвика прегряване на двигателя, което ще повреди двигателя.
- Ако искрогасителната мрежа се запушва често, това може да е признак, че ефективността на катализатора е намалена. Обърнете се към Вашия сервизен дистрибутор за проверка на ауслуха.

Инструкции за безопасност при техническо обслужване



ПРЕДУПРЕЖДЕНИЕ: Прочетете следващите предупредителни указания, преди да използвате машината.

Монтаж

Въведение



ПРЕДУПРЕЖДЕНИЕ: Прочетете и разберете главата за безопасност, преди да монтирате продукта.

За да монтирате тръбата на компресорното оборудване и ръкохватката за управление на продукта

Забележка: Смажете тръбите и гъвкавия маркуч, за да могат същите да се монтират по-лесно.

1. Закрепете гъвкавия маркуч (A) към тръбното коляно и основната тръба (B) със скобите (C) и (D). (Фиг. 21)
2. Закрепете държача на ръкохватката (E) към основната тръба. Подравнете държача на ръкохватката с фланеца върху основната тръба. (Фиг. 22)

3. Регулирайте позицията на ръкохватката за управление на безопасна и правилна работна позиция. Затегнете ръкохватката.
4. Закрепете кабела към гъвкавия маркуч със скобата на кабела. (Фиг. 23)
5. Закрепете междинната тръба към основната тръба. (Фиг. 24)
6. Закрепете дюзата на компресорното оборудване към междинната тръба.

Забележка: Дюзата на компресорното оборудване може да се монтира само към междинната тръба.

7. За по-висока скорост на въздуха закрепете високоскоростния накрайник към дюзата на компресорното оборудване.

Операция

Въведение



ПРЕДУПРЕЖДЕНИЕ: Прочетете и разберете раздела с инструкции за безопасност преди използване на продукта.

Гориво

Този продукт разполага с двутактов двигател.



ВНИМАНИЕ: Неподходящият тип гориво може да доведе до повреда на двигателя. Използвайте смес от бензин и масло за двутактови двигатели.

Предварително смесено гориво

- За постигане на оптимални работни характеристики и за удължаване на срока на експлоатация на двигателя използвайте предварително смесено алкилатно гориво на Husqvarna. Това гориво съдържа по-малко вредни химикали в сравнение с обикновеното гориво и това намалява вредните отработени газове. С това гориво количеството остаъци след изгарянето е по-ниско, което запазва компонентите на двигателя по-чисти.

За изготвяне на горивна смес

Бензин

- Използвайте качествен безоловен бензин с максимално съдържание на етанол 10%.



ВНИМАНИЕ: Не използвайте бензин с октаново число по-малко от 90 RON/87 AKI. Използването на по-ниско октаново число може да доведе до детонационно горене в двигателя, което предизвиква повреда в него.

Масло за двутактов двигател

- За постигане на най-добри резултати и работни характеристики използвайте масло за двутактови двигатели на Husqvarna.
- Ако не разполагате с масло за двутактови двигатели на Husqvarna, използвайте друго висококачествено масло за двутактови двигатели, разработено за двигатели с въздушно охлаждане. Говорете с дистрибутора по сервизното обслужване за избор на точното масло.



ВНИМАНИЕ: Не използвайте масло за извънбордови двутактови двигатели с водно охлаждане, понякога наричано извънбордово масло. Не използвайте масло за четиритактови двигатели.

Смесване на бензин и масло за двутактов двигател

Бензин, литри	Масло за двутактов двигател, литри
	2% (50:1)
5	0,10
10	0,20
15	0,30
20	0,40



ВНИМАНИЕ: Малки грешки могат да повлияят драстично на съотношението в сместа, когато смесвате малки количества гориво. Измервайте внимателно количеството масло, за да сте сигурни, че ще получите правилната смес.

(Фиг. 25)

1. Налейте половината гориво в чист съд за гориво.
2. Добавете цялото количество масло.
3. Разклатете горивната смес.
4. Долейте останалото количество бензин в съда.
5. Разклатете внимателно горивната смес.



ВНИМАНИЕ: Не смесвайте количество гориво, което ще престои повече от 1 месец.

Пълнене на резервоара за гориво



ПРЕДУПРЕЖДЕНИЕ: Спазвайте следната процедура за Ваша безопасност.

1. Спрете двигателя и го оставете да се охлади.
2. Почистете областта около капачката на резервоара за гориво. (Фиг. 26)
3. Разклатете контейнера и се уверете, че горивото е напълно смесено.
4. Отстранете бавно капачката на резервоара за гориво, за да освободите налягането.
5. Напълнете резервоара за гориво.



ВНИМАНИЕ: Уверете се, че в резервоара за гориво няма твърде много гориво. Когато се нагрее, горивото се разширява.

6. Затегнете капачката на резервоара за гориво внимателно.
7. Почистете разлятото гориво върху продукта и около него.
8. Преди стартиране на двигателя преместете продукта на 3 m/10 ft или повече от мястото, където се извършва зареждането с гориво и където се намира източникът на горивото.

Забележка: За местоположението на резервоара за гориво на Вашия продукт направете справка с *Общ преглед на продукта на страница 19.*

Стартиране при студен двигател



ПРЕДУПРЕЖДЕНИЕ: При стартиране на двигателя моментално започва да се освобождава въздух, дори когато работи на празен ход. Не позволявайте на никого да застава в близост до компресорното оборудване или до продухващата тръба.

1. Ако двигателят е студен, поставете смукача (А) в положение "затворен смукач". Вижте *Символи върху машината на страница 19*. (Фиг. 27)
2. Натискайте купола на горивната помпа (В) отново и отново, минимум 10 пъти, докато горивото не започне да изпълва купола на горивната помпа. Не е необходимо да се пълни докрай куполът на горивната помпа.
3. Поставете регулатора на дроселната клапа в положение за бързи обороти на празен ход. Подравнете водещите маркировки на лоста за управление на регулатора на дроселната клапа и ръкохватката за управление. (Фиг. 28)
4. Поставете продукта върху равна повърхност на земята.
5. Дръжте продукта с лявата си ръка и сложете крака си на опората за крака. (Фиг. 29)
6. Издърпайте бавно дръжката на въжето на стартера с дясната си ръка, докато се появи съпротивление.

Забележка: Не дърпайте докрай дръжката на въжето на стартера и не я пускайте.

7. Издърпайте рязко дръжката на въжето на стартера с дясната си ръка, докато двигателят се стартира или се опита да се стартира, максимум 6 пъти. Ако двигателят се стартира, преместете лоста на смукача постепенно в отворено положение и продължете със стъпка 11. Ако двигателят не се стартира, продължете със стъпка 9.
8. Когато двигателят се опитва да се стартира, преместете лоста на смукача постепенно в отворено положение.
9. Дръпнете рязко дръжката на въжето на стартера с дясната си ръка, докато двигателят се стартира, максимум 6 пъти.



Забележка: Ако двигателят не се стартира, повторете инструкциите за стартиране от стъпка 1.

10. Оставете двигателя да работи в продължение на 30 секунди.
11. Поставете регулатора на дроселната клапа на обороти на празния ход. (Фиг. 30)

12. Натиснете регулатора за газта, за да регулирате скоростта на компресорното оборудване. Вижте *За да използвате регулатора на газта на страница 25*.

Включване при топъл двигател

- Ако околната температура е под 32°C/90°F, използвайте същата процедура за стартиране като в *Стартиране при студен двигател на страница 25*, но не поставяйте смукача в положение "затворен смукач".
- Ако околната температура е над 32°C/90°F, използвайте същата процедура за стартиране като в *Стартиране при студен двигател на страница 25*.

За да използвате регулатора на газта

- За да увеличите скоростта на компресорното оборудване по време на работа, натискайте регулатора на газта, докато достигнете правилната скорост. (Фиг. 31)
- За да намалите скоростта на компресорното оборудване по време на работа, освободете регулатора на газта, докато достигнете правилната скорост.

Включване на двигателя при прекомерно загрято гориво

Когато продуктът не се включва, е възможно горивото да е твърде загрято.

Забележка: Винаги използвайте неупотребявано гориво, а при топло време намалете продължителността на работа.

1. Поставете продукта на хладно място, далеч от пряка слънчева светлина.
2. Оставете продукта за поне 20 минути, за да се охлади.
3. Натиснете купола на горивната помпа няколко пъти в продължение на 10 – 15 секунди.
4. Следвайте процедурата за стартиране при студен двигател. Направете справка с *Стартиране при студен двигател на страница 25*.

За да работите с продукта

- Работете с продукта в обичайното работно време. Съблюдавайте местните разпоредби.
- Намалете броя на часите от оборудването и изберете правилните обороти за Вашата задача. Използвайте възможно най-ниската позиция на газта, за да сведете до минимум шума и праха.
- Дръжте дюзата на компресорното оборудване близо до земята.

Забележка: Husqvarna препоръчва използване на целия удължител на дюзата на компресорното оборудване.

- Отчетете посоката на вятъра и насочете продукта по посока на вятъра.
- Използвайте приложими градински инструменти, за да освободите материал от земята.
- В зони с прах използвайте пръскащо оборудване, за да навлажните зоната. Това намалява времето за работа.
- След работа съхранявайте продукта във вертикално положение.

Спиране на продукта



ВНИМАНИЕ: Не спирайте продукта при пълни обороти.

1. Натиснете превключвателя за спиране. (Фиг. 32)

Забележка: Когато продуктът спре, можете да чуете почукване. Това е типично и не е индикация за дефектен продукт.

Регулиране на самара

1. Поставете самара на продукта.
2. Поставете колана около кръста си и свържете катарамата на колана към ремъка за кръста. (Фиг. 33)
3. Затегнете каишката на колана. (Фиг. 34)
4. Свържете катарамата на колана към ремъка за гръдния кош. (Фиг. 35)
5. Регулирайте позицията на ремъка за гръдния кош. (Фиг. 36)
6. Затегнете ремъка за гръдния кош. (Фиг. 37)
7. Затягайте раменните каишки, докато продуктът не прилегне плътно по тялото Ви. (Фиг. 38)
8. Затегнете ремъците на товароподемника. (Фиг. 39)

Поддръжка

Въведение

за безопасност, преди да започнете техническо обслужване на продукта.



ПРЕДУПРЕЖДЕНИЕ: Прочетете и разберете главата с инструкции

График за техническо обслужване

Поддръжка	Еже-дневно	Всяка седмица	Всеки месец
Почистете външните повърхности.	X		
Уверете се, че ръкохватката за управление функционира нормално.	X		
Уверете се, че ключът стартиране/спиране функционира нормално. Направете справка с <i>За проверка на превключвателя за включване/изключване на страница 22.</i>	X		
Проверете двигателя, резервоара за гориво и горивните линии за течове. Проверете горивния филтър за замърсяване. Сменете горивния филтър, ако е необходимо.	X		
Почистете въздушния филтър. Сменете въздушния филтър, ако е необходимо.	X		
Затегнете гайките и винтовете.	X		
Проверете смукателния въздухопровод и се уверете, че не е запушен.	X		
Проверете стартера и въжето за стартиране за повреди.		X	

Поддръжка	Еже-дневно	Всяка седмица	Всеки месец
Проверете елементите за успокояване на вибрациите за повреди, пукнатини и деформация. Уверете се, че антивибрационните части са монтирани правилно.		X	
Проверете запалителната свещ. Направете справка с <i>За проверка на запалителната свещ на страница 27.</i>		X	
Почистете системата за охлаждане.		X	
Почистете външната повърхност на карбуратора и мястото около него.		X	
Почистете резервоара за гориво.			X
Проверете всички кабели и връзки.			X
Проверете и почистете филтъра на искрогасителната мрежа на ауспуха (за продукти без катализатор).		X	
Проверете и почистете искрогасителната мрежа на ауспуха (за продукти с катализатор).			X
Проверете запалителната свещ. Сменете ги при необходимост.			X

Регулиране на оборотите на празния ход

1. Уверете се, че въздушният филтър е чист и че капакът на въздушния филтър е поставен.
2. Регулирайте оборотите на празния ход с винта за празен ход. За да видите къде се намира винтът за обороти на празния ход, направете справка с *Общ преглед на продукта на страница 19.*

За проверка на запалителната свещ



ВНИМАНИЕ: Използвайте препоръчаната запалителна свещ. Вижте *Технически характеристики на страница 30.* Използването на запалителна свещ от неправилен тип може да повреди продукта.

1. Спрете двигателя и оставете продукта да се охлади.
2. Почистете запалителната свещ, ако е замърсена.
3. Уверете се, че разстоянието между електродите е правилно. Направете справка с *Технически характеристики на страница 30.* (Фиг. 40)
4. Сменяйте запалителната свещ ежемесечно или по-често, ако е необходимо.

За техническо обслужване на ауспуха



ВНИМАНИЕ: Ако искрогасителната мрежа се запушва често, това може да е признак, че ефективността на

катализатора е намалена. Обърнете се към Вашия сервизен дистрибутор за проверка на ауспуха. Запушена искрогасителна мрежа предизвиква прегряване, което води до повреда на цилиндъра и буталото.



ВНИМАНИЕ: В случай на повреда искрогасителната мрежа трябва да бъде сменена. Не използвайте даден продукт, ако искрогасителната мрежа на ауспуха липсва или е дефектна.

- Почистете искрогасителния екран на ауспуха. Използвайте телена четка. (Фиг. 41)
- Оставете сервизен дистрибутор да замени или да извърши сервизно обслужване на ауспуха и искрогасителната мрежа след 50 часа работа.

За проверка и почистване на системата за охлаждане

Охладителната система включва охлаждащите ребра на цилиндъра и мрежовия филтър на смукателния въздухопровод.

1. Спрете двигателя.
2. Уверете се, че системата за охлаждане не е замърсена или запушена. Ако е необходимо, почистете филтъра на смукателния въздухопровод и охладителните ребра.



ВНИМАНИЕ: Замърсената или запушена охладителна система може да повиши температурата на двигателя и доведе до повреждане

на продукта. Запушеният филтър на смукателния въздухопровод намалява силата на въздушната струя.

3. Проверете охладителната система за повреди. Уверете се, че частите са закрепени нормално към продукта.

Почистване на въздушния филтър



ВНИМАНИЕ: Не използвайте продукт без въздушен филтър или с повреден въздушен филтър. Наличието на прах във въздуха може да повреди двигателя.

1. Преместете смукача в затворено положение.
2. Махнете капака на въздушния филтър (А).
3. Отстранете предфилтъра (В) от капака на въздушния филтър. (Фиг. 42)

4. Отстранете въздушния филтър (С) от рамата на филтъра.
5. Почистете предфилтъра и въздушния филтър с топла вода и сапун.

Забележка: Въздушен филтър, който е използван продължително, не може да се почисти напълно. Сменяйте редовно въздушния филтър и винаги сменяйте дефектните въздушни филтри.

6. Почистете вътрешната повърхност на капака на въздушния филтър (А) с четка.
7. Поставете въздушния филтър в рамата на филтъра.
8. Закрепете предфилтъра към капака на въздушния филтър.
9. Закрепете капака на въздушния филтър към продукта.

Отстраняване на проблеми

Двигателят не може да се стартира

Проверете	Възможна причина	Решение
Зъбци на стартера.	Блокирани или износени зъбци на стартера.	Регулирайте или сменете зъба(ците) на стартера.
		Почистете около зъба(ците) на стартера.
		Обърнете се към одобрен сервизен търговец.
Резервоар за гориво.	Неподходящ тип гориво.	Източете резервоара за гориво и използвайте подходящо гориво.
Карбуратор.	Регулиране на оборотите на празния ход.	Регулирайте оборотите на празен ход с регулиращия винт за празния ход.
Искра (няма искра).	Запалителната свещ е замърсена или влажна.	Уверете се, че запалителната свещ е суха и чиста.
	Неправилно разстояние между електродите на запалителната свещ.	Почистете запалителната свещ. Уверете се, че разстоянието между електродите е правилно. Направете справка с техническите характеристики за правилното разстояние между електродите.

Двигателят не може да се стартира		
Проверете	Възможна причина	Решение
Запалителна свещ.	Запалителната свещ е разхлабена.	Затегнете запалителната свещ.
	Има нежелан материал върху електродите на запалителната свещ.	Уверете се, че горивната смес е правилна.
		Уверете се, че въздушният филтър е чист.

Двигателят стартира, но спира отново		
Проверете	Възможна причина	Решение
Резервоар за гориво.	Неподходящ тип гориво.	Източете резервоара за гориво и използвайте правилното гориво.
Карбуратор.	Двигателят не работи нормално при обороти на празния ход.	Говорете с дистрибутора по сервизното обслужване.
Въздушен филтър.	Запушен въздушен филтър.	Почистете въздушния филтър.

Транспорт и съхранение

Транспорт и съхранение



ПРЕДУПРЕЖДЕНИЕ: За да предотвратите риска от злополука, се уверете, че няма изтичане или газове от горивото по време на транспортиране или съхранение. Уверете се, че няма риск от искри или огън.

- Изпразнете резервоара за гориво преди транспортиране или продължително съхранение. Натиснете купола на горивната помпа, за да се уверите, че е отстранено всичкото гориво. Изхвърлете горивото на подходящо за целта място.
- Преди продължително съхранение се уверете, че продуктът е почистен и е получил цялостно сервизно обслужване.
- Отстранете запалителната свещ и поставете около 15 ml масло за двутактов двигател

в цилиндъра. Завъртете продукта 3 пъти и монтирайте отново запалителната свещ.

- Закрепете безопасно продукта към автомобила по време на транспортиране.
- Съхранявайте продукта на сухо, хладно и чисто място с добра вентилация. Дръжте продукта далеч от деца.

Технически характеристики

Технически данни

	Husqvarna 345BT (BP152HV)
Двигател	
Обем на цилиндъра, cm ³	51,7
Обороти на празния ход, об/мин	2800
Катализатор	Да
Запалителна система	
Запалителна свещ	NGK BPMR7A/Champion RCJ6Y
Разстояние между електродите, mm	0,6-0,7
Въртящ момент на запалителната свещ, Nm	25-30
Горивна и смазочна система	
Вместимост на резервоара за гориво, l/cm ³	1,0/1000
Тегло	
Тегло без гориво, kg	10,0
Шумови емисии ⁴	
Ниво на звуковата мощност, измерена dB(A)	110
Ниво на звуковата мощност, гарантирана [L _{WA} dB(A)]	113
Нива на шума ⁵	
Еквивалентно ниво на звуковото налягане при ухото на оператора, измерено съгласно EN15503 dB(A):	
Оборудван с дюза на компресорното оборудване (оригинално)	101
Нива на вибрациите ⁶	
Еквивалентни нива на вибрациите (a _{hv,eq}) при ръкохватките, измерени съгласно EN 15503, m/s ²	6,1
Работа на вентилатора	
Макс. скорост на въздуха с високоскоростен крайник, m/s	98,3
Въздушен поток без високоскоростен крайник, m ³ /min	13,9

⁴ Емисии на шума в околната среда, измерени като звукова мощност (L_{WA}) в съответствие с директива на ЕО 2000/14/ЕО. Отчетеното ниво на звуковата мощност за машината е измерено с оригиналното режещо оборудване, което дава най-високото ниво. Разликата между гарантираната и измерената звукова мощност е в това, че гарантираната звукова мощност включва също и дисперсията в резултата от измерването, както и вариациите между различните машини от един и същи модел в съответствие с Директива 2000/14/ЕО.

⁵ Отчетените данни за нивото на звуковото налягане имат типична статистическа дисперсия (стандартно отклонение) от 3,0 dB (A).

⁶ Отчетените данни за равнището на вибрации имат типична статистическа дисперсия (стандартно отклонение) от 1,5 m/s².

Декларация за съответствие на ЕО

Декларация за съответствие на ЕО

Ние, Husqvarna AB, SE 561 82 Huskvarna, ШВЕЦИЯ, декларираме на своя собствена отговорност, че представеният продукт:

Описание	Бензиново компресорно оборудване/компресорно оборудване с вакуум
Марка	Husqvarna
Платформа/вид/модел	Платформа BP152HV, представляваща модел 345BT.
Партида	Сериен номер, датиращ от 2022 г. и след това.

отговаря напълно на следните директиви и регламенти на ЕС:

Директива/регламент	Описание
2006/42/ЕО	"относно машините"
2014/30/ЕС	"относно електромагнитната съвместимост"
2000/14/ЕО	"относно шумовите емисии в околната среда"
2011/65/ЕС	"ограничения за използване на определени опасни вещества"

Приложените хармонизирани стандарти и/или технически спецификации са следните: EN ISO 12100:2010, EN 15503:2009+A2, CISPR 12:2007, EN ISO 14982:2009, EN IEC 63000:2018, EN IEC 63000:2018

В съответствие с Директива 2000/14/ЕО, приложение V, декларираните стойности на звука са посочени в раздела с технически характеристики на това ръководство.

TÜV Rheinland извърши доброволно изпитване от името на Husqvarna AB и изготви AM 50391742 –

Сертификат за съответствие с Директива на Съвета на ЕО 2006/42/ЕО относно машините.

Този сертификат е приложен за всички производствени площадки и държави на произход, както е посочено върху продукта.

Доставеното бензиново компресорно оборудване/компресорно оборудване с вакуум съответства на образеца, подложен на контрол.

От името на Husqvarna AB, SE-561 82 Huskvarna, ШВЕЦИЯ,



Pär Martinsson

Отговорен за техническата документация



Sadržaj

Uvod.....	32	Rješavanje problema.....	40
Sigurnost.....	33	Transport i skladištenje.....	41
Sastavljanje.....	35	Tehnički podaci.....	42
Rukovanje.....	36	Izjava EK o usklađenosti.....	43
Održavanje.....	38		

Uvod

Opis proizvoda

Proizvod je puhač u obliku ruksaka s motorom pogonjenim gorivom.

Naša politika je da stalno razvijamo vlastite proizvode i zbog toga zadržavamo pravo da mijenjamo dizajn i izgled proizvoda bez prethodnog obavještenja.

Pregled proizvoda

(Sl. 1)

1. Ručica za komandu gasa
2. Okvir
3. Pojas
4. Poklopac motora
5. Poklopac za ventilator
6. Rešetka dovoda zraka
7. Filter zraka
8. Ručka užeta za pokretanje
9. Rezervoar za gorivo
10. Remen oko struka
11. Svjećica
12. Sistem za prigušivanje vibracija
13. Ručica za čok
14. Kontrolna ručica
15. Prekidač za zaustavljanje s komandom gasa
16. Poluga gasa
17. Ugaona cijev
18. Stezna hvataljka
19. Fleksibilno crijevo
20. Kontrolna cijev
21. Stezaljka za kabal
22. Srednja cijev
23. Mlaznica puhača
24. Priručnik za rad
25. Kombinirani ključ
26. Pumpica za istiskivanje zraka
27. Mlaznica velike brzine
28. Zavrtanj za podešavanje rada u praznom hodu
29. Ventilator
30. Nožni upravljač

Namjena

Koristite proizvod za to raspuhivanje lišća i drugog neželjenog materijala s područja kao što su travnjaci, prilazi i asfaltni putevi.

Simboli na proizvodu

- (Sl. 2) UPOZORENJE! Ovaj proizvod može biti opasan i izazvati teške povrede ili smrt operatora i drugih osoba. Budite oprezni i koristite proizvod na pravilan način.
- (Sl. 3) Prije upotrebe pažljivo pročitajte priručnik za rad rukovaoca i vodite računa da vam upute budu jasne.
- (Sl. 4) Koristite odobrenu zaštitu za uši i oči. Ako u okruženju ima prašine, koristite masku za disanje.
- (Sl. 5) Koristite odobrene zaštitne rukavice tokom rada i postupaka održavanja. Nosite zaštitne čizme ili cipele s protukliznim donom. Nosite odjeću od jakog platna i pune dužine.
- (Sl. 6) Uvjerite se da dugu kosu stavite iznad ramena.
- (Sl. 7) Tokom rada nemojte nositi nakit ili široku odjeću.
- (Sl. 8) Mješavina benzina i ulja za dvotaktni motor.
- (Sl. 9) Kuglica pumpice za istiskivanje zraka.
- (Sl. 10) Dijelove tijela držite dalje od vrućih površina.

- (Sl. 11) Nemojte prilaziti blizu propelera kada se okreću.
- (Sl. 12) Čok, otvoren.
- (Sl. 13) Čok, zatvoren.
- (Sl. 14) Vijak za podešavanje rada u praznom hodu.
- (Sl. 15) Proizvod ispunjava važeće direktive EZ.
- (Sl. 16) Proizvod je u skladu s važećim propisima UK-a.
- (Sl. 17) Emisije buke u okruženje u skladu s evropskom Direktivom 2000/14/EZ i propisom za zaštitu od radova u okruženju (kontrola buke) Novog Južnog Velsa iz 2017. Podaci o emisiji buke nalaze se na naljepnici mašine i u poglavlju Tehnički podaci.
- (Sl. 18) Čuvajte se odbačenih predmeta. Odbačeni predmeti mogu izazvati teške povrede. Koristite opremu za ličnu zaštitu.
- (Sl. 19) Održavajte sigurnu udaljenost od minimalno 15 m od ljudi i životinja.

yyyywwxxxx

Na pločici s oznakom kategorije ili laserskom tisku je prikazan serijski broj. **yyyy** označava godinu proizvodnje, a **ww** označava sedmicu proizvodnje.

Napomena: Drugi simboli/naljepnice na proizvodu odnose se na zahtjeve certifikacije za druga komercijalna područja.

Odgovornost za proizvod

Kao što je navedeno u zakonima o odgovornosti za proizvod, mi nismo odgovorni za oštećenja koja uzrokuje naš proizvod ako:

- je proizvod pogrešno popravljen.
- je proizvod popravljen koristeći dijelove koji nisu od proizvođača ili koji nisu odobreni od strane proizvođača.
- proizvod ima dodatnu opremu koju nije napravio proizvođač ili koju proizvođač ne odobrava.
- proizvod nije popravljen u nekom od odobrenih servisa ili od strane odobrenog tijela.

Sigurnost

Definicija sigurnosti

Definicije u nastavku daju stepen ozbiljnosti za svaku signalnu riječ.



UPOZORENJE: Ozljede kod osoba.



OPREZ: Oštećenje na proizvodu.

Napomena: Ove informacije čine proizvod lakšim za korištenje.

Opće sigurnosne upute



UPOZORENJE: Prije upotrebe proizvoda pročitajte upozorenja u nastavku.

- Ne vršite izmjene na proizvodu bez odobrenja proizvođača i uvijek koristite originalni pribor. Modifikacije i/ili pribor koji nisu odobreni mogu izazvati teške povrede ili smrt operatera ili drugih osoba.
- Nemojte koristiti oštećen proizvod. Vršite sigurnosne provjere i postupke održavanja navedene u ovom priručniku za rukovaoca. Sve druge poslove održavanja mora vršiti ovlašteno servisno osoblje.
- Sve radnje servisiranja i popravka mora obavljati ovlašteno servisno osoblje. Ako na dijelu proizvoda ima nedostataka, obratite se zastupniku servisa.

Sigurnost od vibracija

Proizvod je samo za povremeni rad. Neprekidnim i redovnim korištenjem ovog proizvoda mogu nastati "bijeli prsti" ili slični zdravstveni problemi uzrokovani vibracijama. Ukoliko neprekidno ili redovno koristite ovaj proizvod pregledajte stanje šaka i prstiju. Ukoliko na šakama ili prstima primjetite bljedilo, osjetite bolove, trnce ili trnjenje, prestanite raditi i odmah se obratite ljekaru.

Sigurnosna uputstva za rad



UPOZORENJE: Prije upotrebe proizvoda pročitajte upozorenja u nastavku.

- Ovaj proizvod može biti opasan i izazvati teške povrede ili smrt operatora i drugih osoba. Budite oprezni i koristite proizvod na pravilan način.
- Izvršite pregled proizvoda prije korištenja. Pogledajte *Održavanje na strani 38*.
- Nemojte koristiti proizvod kad ste umorni, bolesni ili pod utjecajem alkohola ili drugih droga/lijekova koji vam mogu oslabiti vid, mogućnost rasuđivanja ili koordinaciju.
- Prije korištenja postavite sve poklopce i štitnike. Da biste spriječili strujni udar, provjerite da na kapici svjećice i kabl paljenja nema oštećenja.
- Ne dodirujte svjećicu ili kabl paljenja dok motor radi.
- Održavajte sigurnu udaljenost od minimalno 15 m od ljudi i životinja. Ako se ljudi, djeca ili životinje približe na manje od 15 m, zaustavite proizvod. Usmjerite proizvod dalje od ljudi, životinja, otvorenih prozora i drugih predmeta.
- Ne dozvolite djeci da rukuju proizvodom. Pazite da svi rukovaoci pročitaju i s razumijevanjem prouče sadržaj ovog priručnika za rukovaoc.
- Ruke i predmete držite dalje od kućišta puhača tokom rada. Rotirajući dijelovi mogu izazvati teške povrede.
- Nemojte koristiti proizvod ako nije postavljena rešetka dovoda zraka. Prije korištenja uvijek provjerite je li rešetka dovoda zraka i postavljena i ima li na njoj oštećenja.
- Ukoliko nastupi hitna situacija, otkopčajte pojas oko struka i preko grudi i pustite da proizvod padne.
- Pridržavajte se propisa i uredbi date države.
- Dijelove tijela držite dalje od vrućih površina.
- Previše vibracija može uzrokovati oštećenja cirkulatornog ili nervnog sistema. Obratite se ljekaru ako uočite simptome, npr. trnce, gubitak osjećaja, peckanje, bockanje, bol, gubitak snage promjene boje kože na prstima, rukama ili zglobovima.
- Čuvajte se odbačenih predmeta. Odbačeni predmeti mogu izazvati teške povrede.
- Proizvod nemojte koristiti u lošim vremenskim uvjetima kao što su magla, kiša, jak vjetar i velika hladnoća. Rad po lošem vremenu može izazvati umor i može dovesti do stvaranja opasnih uslova.
- Provjerite možete li se kretati i ostati u stabilnom položaju. Pregledajte ima li u području rada mogućih prepreka, npr. kamenja. Budite oprezni ako proizvod koristite na padini.
- Ne spuštajte proizvod na tlo dok motor radi.
- Ne koristite proizvod na visini, npr. na ljestvama.
- Pazite da vas neko drugi može čuti u slučaju da se desi nezgoda.

- Provjerite da izlaz ispušnih plinova nije blokirani. Da bi se spriječila oštećenja proizvoda, prepreke držite na udaljenosti od minimalno 50 cm od izlaza ispušnih plinova.
- Nemojte pokretati proizvod u zatvorenom prostoru, u području u kojem je slabo strujanje zraka ili u blizini zapaljivih materijala. Ispušni plinovi motora sadrže ugljični monoksid, koji može izazvati trovanje. Ispušni plinovi motora su vrući i u njima može biti iskrica koje mogu izazvati požar.

Oprema za ličnu zaštitu



UPOZORENJE: Prije upotrebe proizvoda pročitajte upozorenja u nastavku.

- Koristite odobrenu opremu za ličnu zaštitu kad koristite proizvod. Oprema za ličnu zaštitu ne može u potpunosti spriječiti povrede, ali može smanjiti stepen povreda. Više informacija potražite od prodajnog zastupnika.
- Koristite odobrenu zaštitu sluha. Dugotrajno izlaganje buci može izazvati trajno oštećenje sluha.
- Koristite odobrenu zaštitu za oči. Ako koristite vizir, morate koristiti i odobrene zaštitne naočale. Odabrane zaštitne naočale moraju zadovoljavati standard ANSI Z87.1 u SAD-u ili EN 166 u zemljama EU.
- Koristite zaštitne rukavice tokom rada i postupaka održavanja.
- Nosite zaštitne čizme ili cipele s protukliznim đonom.
- Nosite odjeću od jakog platna i pune dužine. Nemojte nositi nakit ili otvorenu obuću. Da bi se smanjio rizik od povreda, odjeća vam mora biti pripijena uz tijelo, ali ne smije ograničavati kretanje. Kosu povežite iznad ramena kako bi se spriječilo da vam kosa dospije među rotirajuće dijelove ili zapne za grane.
- Koristite zaštitnu opremu za disajne organe ako postoji rizik od stvaranja prašine.
- Držite komplet za pružanje prve pomoći u blizini.

Sigurnosna sredstva na proizvodu



UPOZORENJE: Prije upotrebe proizvoda pročitajte upozorenja u nastavku.

- Nemojte koristiti proizvod s neispravnim sigurnosnim sredstvima.
- Redovno provjeravajte sigurnosna sredstva. Pogledajte *Održavanje na strani 38*.
- Ukoliko sigurnosno sredstvo nije ispravno, obratite se svom Husqvarna zastupniku servisa.

Provjera lonca auspuha



UPOZORENJE: Nemojte koristiti proizvod s oštećenim loncem auspuha.



UPOZORENJE: Prilikom rada i nakon rada te tokom praznog hoda, lonac auspuha se jako zagrije. Koristite zaštitne rukavice da spriječite opekotine.



UPOZORENJE: Unutrašnjost lonca auspuha sadrži hemikalije koje mogu biti kancerogene. Nemojte dodirivati lonac auspuha ako je vruć.

- Redovno vršite vizuelne provjere lonca auspuha. Lonac auspuha snižava nivo buke na najmanju moguću mjeru i dio ispušnih gasova šalje dalje od rukovaoca. Pogledajte *Pregled i čišćenje rashladnog sistema na strani 39*.

Provjera sistema ublažavanja vibracija

1. Vodite računa da na jedinicama za umanjivanje vibracija nema pukotina ili deformacija.
2. Vodite računa da su jedinice za smanjenje vibracija sigurno pričvršćene između motora i ručke.

Informacije o položaju sistema za ublažavanje vibracija na vašem proizvodu pogledajte u *Pregled proizvoda na strani 32*.

Provjera prekidača za pokretanje/zaustavljanje

1. Pritisnite prekidač za pokretanje/zaustavljanje da zaustavite motor.
2. Provjerite da li se motor u potpunosti zaustavlja.

Položaj prekidača za pokretanje/zaustavljanje na proizvodu potražite u odjeljku *Pregled proizvoda na strani 32*.

Pojas za sigurnost

Uvijek koristite pojas kad rukujete proizvodom. Ako ne koristite pojas ne možete proizvodom sigurno rukovati. To može izazvati povrede vama i drugima. Provjerite

jesu li remen oko struka i remen oko prsa ispravno spojeni i podešeni. Postoji opasnost da se otvoreni pojas usisa u ventilator uređaja.

(Sl. 20)

Sigurnosne mjere pri rukovanju gorivom



UPOZORENJE: Prije upotrebe proizvoda pročitajte upozorenja u nastavku.

- Nemojte miješati ili dodavati gorivo u zatvorenoj prostoriji ili u blizini izvora toplote.
- Nemojte pokretati proizvod ako ste po tijelu prolili gorivo ili ulje.
- Nemojte pokretati proizvod ako iz motora curi gorivo. Redovno provjeravajte ima li na motoru tragova curenja goriva.
- Uvijek budite oprezni pri rukovanju gorivom. Gorivo je zapaljivo i pare goriva su eksplozivne te mogu izazvati teške povrede ili smrt.
- Nemojte udisati pare od goriva, to može izazvati povredu. Uvjerite se da ima dovoljno protoka zraka.
- Nemojte pušiti u blizini goriva ili motora.
- Nemojte stavljati proizvod ili spremnik za gorivo blizu vrućih predmeta, otvorenog plamena, iskra ili plinskog plamena.
- Uvijek koristite odobrene posude za skladištenje i transport goriva.

Sigurnosna uputstva za održavanje



UPOZORENJE: Prije upotrebe proizvoda pročitajte upozorenja u nastavku.

- Zaustavite motor, skinite svječicu i pustite da se motor ohladi prije vršenja radnji održavanja i sklapanja.
- Blokirana zaštitna mrežica svječice uzrokuje pregrijavanje motora što izaziva oštećenja na motoru.
- Ako se mrežica svječice često začepljuje, to može biti znak da katalizator radi slabije. Obratite se ovlaštenom servisu da pregleda lonac auspuha.

Sastavljanje

Uvod



UPOZORENJE: Pročitajte i proučite poglavlje za sigurnosna uputstva prije nego što sastavite proizvod.

Da biste sastavili cijev puhača i kontrolnu ručicu proizvoda

Napomena: Podmažite cijevi i fleksibilno crijevo kako bi se lakše sastavili.

1. Spojite fleksibilno crijevo (A) na ugaonu cijev a kontrolnu cijev (B) na stezaljke (C) i (D). (Sl. 21)

2. Spojite držač ručke (E) na kontrolnu cijev. Poravnajte držač ručke s priрубnicom na kontrolnoj cijevi. (Sl. 22)
3. Podesite položaj kontrolne ručice u siguran i ispravan radni položaj. Zategnite dugme.
4. Spojite kabl na fleksibilno crijevo pomoću stezaljke za kabal. (Sl. 23)
5. Spojite srednju cijev na kontrolnu cijev. (Sl. 24)

6. Spojite mlaznicu puhača na srednju cijev.

Napomena: Mlaznica puhača se može montirati jedino na srednju cijev.

7. Za veću brzinu zraka, spojite mlaznicu velike brzine na mlaznicu puhača.

Rukovanje

Uvod



UPOZORENJE: Prije upotrebe proizvoda, s razumijevanjem pročitajte poglavlje o sigurnosti.



OPREZ: Nemojte koristiti ulje za vanbrodske dvotaktne motore s vodenim hlađenjem, koji se nazivaju i vanbrodski. Nemojte koristiti ulje za četverotaktne motore.

Gorivo

Ovaj proizvod ima dvotaktni motor.



OPREZ: Neppravilno gorivo može uzrokovati oštećenje motora. Koristite mješavinu benzina i ulja za dvotaktni motor.

Miješanje benzina i ulja za dvotaktne motore

Benzin, litar	Ulje za dvotaktne motore, litar
	2% (50:1)
5	0,10
10	0,20
15	0,30
20	0,40

Pripremljena smješa goriva

- Za najbolje rezultate i duži radni vijek motora, koristite pripremljenu smješu goriva Husqvarna. Takvo gorivo sadrži manje opasne hemikalije od običnog goriva, čime se smanjuju opasni ispušni dimovi. S takvim gorivom, količina ostataka nakon sagorijevanja je manja, zbog čega sastavni dijelovi motora budu čišći.

Miješanje goriva

Benzin

- Koristite bezolovni benzin dobrog kvaliteta s maksimalnim sadržajem etanola do 10%.



OPREZ: Ukoliko pravite malu količinu smješe, male greške mogu drastično poremetiti omjer smješe. Pravilno izmjerite količinu ulja i vodite računa da dobijete pravilnu smješu.

(Sl. 25)

1. Naspite pola količine benzina u čistu posudu za gorivo.
2. Dodajte punu količinu ulja.
3. Protresite smješu goriva.
4. Dodajte preostalu količinu benzina u posudu.
5. Protresite smješu goriva.

Ulje za dvotaktne motore

- Za najbolje rezultate i rada koristite Husqvarna ulje za dvotaktne motore.
- Ukoliko Husqvarna ulje za dvotaktne motore nije dostupno, koristite kvalitetno ulje za dvotaktne motore sa zračnim hlađenjem. Obratite se zastupniku servisa za odabir pravilnog ulja.



OPREZ: Nemojte miješati gorivo više od jednom mjesečno.

Da biste napunili spremnik za gorivo



UPOZORENJE: Pridržavajte se postupka navedenog u nastavku radi vlastite sigurnosti.

1. Zaustavite motor i pustite ga da se ohladi.
2. Očistite područje oko poklopca rezervoara. (Sl. 26)
3. Protresite posudu i provjerite je li gorivo dobro izmiješano.
4. Pažljivo uklonite poklopac spremnika za gorivo kako biste oslobodili pritisak.
5. Napunite spremnik za gorivo.



OPREZ: Pazite da u spremniku nema puno goriva. Gorivo se širi kada postane vruće.

6. Pažljivo pritegnite poklopac rezervoara za gorivo.
7. Obrišite gorivo proliveno po proizvodu i oko proizvoda.
8. Prije pokretanja motora, proizvod odmaknite na udaljenost od najmanje 3 m / 10 stopa od područja gdje se gorivo sipa i gdje je izvor goriva.

Napomena: Položaj rezervoara za gorivo na proizvodu potražite u odjeljku *Pregled proizvoda na strani 32*.

Pokretanje hladnog motora



UPOZORENJE: Zrak se ispušta čim se pokrene motor, čak i kada je u praznom hodu. Ne dopustite da bilo ko stoji u blizini puhača ili mlaznice puhača.

1. Ako je motor hladan, stavite regulator čoka (A) u zatvoreni položaj. Pogledajte odjeljak *Simboli na proizvodu na strani 32*. (Sl. 27)
2. Pritišćite kuglicu pumpice za istiskivanje zraka (B) najmanje 10 puta dok se kuglica ne počne puniti gorivom. Nije neophodno da se pumpica za istiskivanje zraka napuni u potpunosti.
3. Stavite komandu gasa u položaj visokog praznog hoda. Poravnajte vodilice na ručici za komandu gasa i kontrolnoj ručici. (Sl. 28)
4. Stavite proizvod na ravnu površinu na tlo.
5. Držite proizvod lijevom rukom i stavite stopalo na nožni upravljač. (Sl. 29)
6. Desnom rukom polako povlačite ručku užeta za pokretanje dok ne osjetite otpor.

Napomena: Nemojte povlačiti uže pokretača do kraja i nemojte ispuštati ručku užeta pokretača.

7. Desnom rukom brzo povucite ručku užeta za pokretanje dok se motor ne pokrene ili ne pokuša pokrenuti, maksimalno 6 puta. Ako se motor pokrene, postepeno pomjerajte ručicu čoka u otvoreni položaj i nastavite na 11. korak. Ako se motor ne pokrene, nastavite na 9. korak.

8. Kada se motor pokuša pokrenuti, postepeno pomjerajte ručicu čoka u otvoreni položaj.
9. Desnom rukom brzo povucite ručku užeta za pokretanje dok se motor ne pokrene, maksimalno 6 puta.



Napomena: Ako se motor ne pokrene, ponovite uputstva za pokretanje od 1. koraka.

10. Pustite motor da radi 30 sekundi.
11. Stavite komandu gasa u prazan hoda. (Sl. 30)
12. Gurnite polugu gasa da podesite brzinu puhača. Pogledajte odjeljak *Za korištenje poluge gasa na strani 37*.

Da biste pokrenuli zagrijan motor

- Ako je sobna temperatura ispod 32°C / 90°F, koristite isti postupak pokretanja kao *Pokretanje hladnog motora na strani 37* ali nemojte stavljati ručicu za čok u zatvoreni položaj čoka.
- Ako je sobna temperatura iznad 32°C / 90°F, koristite isti postupak pokretanja kao *Pokretanje hladnog motora na strani 37*.

Za korištenje poluge gasa

- Da povećate brzinu puhača tokom rada gurnite polugu gasa dok ne dobijete odgovarajuću brzinu. (Sl. 31)
- Da smanjite brzinu puhača tokom rada otpustite polugu gasa dok ne dobijete odgovarajuću brzinu.

Da biste pokrenuli motor kada je gorivo pregrijano

Ako ne možete pokrenuti proizvod, moguće je da je gorivo pregrijano.

Napomena: Uvijek koristite novo gorivo i smanjite vrijeme rada tokom toplog vremena.

1. Odložite proizvod u hladno područje dalje od direktne sunčeve svjetlosti.
2. Ostavite proizvod da se ohladi minimalno 20 minuta.
3. Pritišćite pumpicu za pročišćenje zraka nekoliko puta tokom 10-15 sekundi.
4. Poštujte postupak za pokretanje hladnog motora. Pogledajte *Pokretanje hladnog motora na strani 37*.

Rad s uređajem

- Proizvod koristite tokom uobičajenog radnog vremena. Poštujte lokalne zakone.
- Smanjite broj komada opreme i odaberite odgovarajuću brzinu za dati zadatak. Koristite gas najmanje moguće snage kako bi se spriječili stvaranje više buke i prašine nego što je neophodno.
- Mlaznicu puhača držite blizu tla.

Napomena: Husqvarna preporučuje da koristite puni produžetak za mlaznicu puhača.

- Obratite pažnju na smjer vjetra i proizvod koristite u smjeru vjetra.
- Koristite odgovarajuće baštenske alate kako biste materijal odvojili od tla.
- U područjima u kojima ima prašine, koristite opremu za prskanje kako biste navlažili dato područje. Time se skraćuje vrijeme rada.
- Nakon završetka posla, proizvod uskladištite u vertikalnom položaju.

Zaustavljanje proizvoda



OPREZ: Ne zaustavljajte proizvod dok radi punom brzinom.

1. Pritisnite prekidač za zaustavljanje. (Sl. 32)

Napomena: Kada se proizvod zaustavi čut ćete zvuk škljocanja. To je uobičajeno i nije naznaka da je proizvod u kvaru.

Podešavanje pojasa

1. Stavite pojas za uređaj.
2. Stavite remen oko struka i povežite kopču za remen. (Sl. 33)
3. Pritegnite remen oko struka. (Sl. 34)
4. Povežite kopču za remen oko prsa. (Sl. 35)
5. Podesite položaj remena oko prsa. (Sl. 36)
6. Pritegnite grudnu traku. (Sl. 37)
7. Pritegnite trake za rame tako da vam proizvod stoji čvrsto uz tijelo. (Sl. 38)
8. Pritegnite trake za podizanje tereta. (Sl. 39)

Održavanje

Uvod



UPOZORENJE: Prije održavanja proizvoda pročitajte s razumijevanjem poglavlje o sigurnosti.

Plan održavanja

Održavanje	Dnevno	Sedmično	Mjesečno
Čišćenje vanjskih površina.	X		
Provjerite radi li komanda gasa pravilno.	X		
Provjerite radi li prekidač za pokretanje/zaustavljanje pravilno. Pogledajte odjeljak <i>Provjera prekidača za pokretanje/zaustavljanje na strani 35.</i>	X		
Pregledajte ima li curenja na motoru, rezervoaru za gorivo i dovodu goriva. Provjerite crijevo goriva radi kontaminacije. Zamijenite filter za gorivo ako je potrebno.	X		
Čišćenje filtera zraka. Zamijenite filter za zrak ako je potrebno.	X		
Pritegnite matice i vijke.	X		
Pregledajte ulaz zraka i provjerite da nije blokiran.	X		
Pregledajte ima li oštećenja na starteru motora i konopu za pokretanje.		X	
Pregledajte ima li na jedinicama za ublažavanje vibracija oštećenja, pukotina ili deformacija. Provjerite jesu li jedinice za ublažavanje vibracija pravilno postavljene.		X	
Provjerite svjećicu. Pogledajte odjeljak <i>Provjera svjećica na strani 39.</i>		X	
Očistite sistem za hlađenje.		X	

Održavanje	Dnevno	Sedmično	Mjesečno
Očistite vanjsku površinu karburatora i prostor oko njega.		X	
Očistite spremnik za gorivo.			X
Ispitajte sve kablove i spojeve.			X
Pregledajte i očistite mrežicu za zaštitu od iskrenja na loncu auspuha (za proizvode s katalizatorom).		X	
Pregledajte i očistite mrežicu za zaštitu od iskrenja na loncu auspuha (za proizvode bez katalizatora).			X
Provjerite svječicu. Zamijenite ih po potrebi.			X

Podešavanje brzine u praznom hodu

1. Provjerite je li filter za zrak čist i je li postavljen poklopac filtera.
2. Broj obrtaja u praznom hodu podesite pomoću vijka za podešavanje broja obrtaja u praznom hodu. Položaj vijka za broj obrtaja u praznom hodu na proizvodu prikazan je u odjeljku *Pregled proizvoda na strani 32*.

Provjera svjećica



OPREZ: Koristite preporučene svječice. Pogledajte *Tehnički podaci na strani 42*. Nepravilna svječica može izazvati oštećenje na proizvodu.

1. Zaustavite motor i pustite da se uređaj ohladi.
2. Očistite svječicu ako je prljava.
3. Vodite računa da zazor elektrode bude ispravan. Pogledajte *Tehnički podaci na strani 42*. (SI. 40)
4. Svječicu mijenjajte svakog mjeseca ili češće ako je potrebno.

Održavanje lonca auspuha



OPREZ: Ako se mrežica svjećice često začepljuje, to može biti znak da katalizator radi slabije. Obratite se ovlaštenom servisu da pregleda lonac auspuha. Začepljena mrežica svjećice izaziva pregrijavanje i oštećenja na cilindru i klip.



OPREZ: Ukoliko je mrežica svjećice oštećena, mora se zamijeniti. Nemojte koristiti proizvod ako na auspuhu nedostaje mrežica svjećice ili ako je oštećena.

- Očistite mrežicu za odvođenje iskre na prigušivaču. Koristite čeličnu četku. (SI. 41)
- Neka serviser zamijeni ili servisira lonac auspuha i mrežicu svjećice nakon 50 sati rada.

Pregled i čišćenje rashladnog sistema

Rashladni sistem obuhvata rashladna rebra na cilindru i rešetki dovoda zraka.

1. Zaustavite motor.
2. Vodite računa da rashladni sistem ne bude prljav ili zakrčen. Ako je potrebno, očistite rešetku dovoda zraka i rashladna rebra.



OPREZ: Ako je rashladni sistem prljav ili blokiran, može doći do povećavanja temperature motora i oštećenja proizvoda. Začepljenje rešetke dovoda zraka izaziva smanjenje snage puhanja.

3. Pregledajte ima li oštećenja rashladnog sistema. Provjerite jesu li dijelovi pravilno postavljeni na proizvod.

Čišćenje filtera za zrak



OPREZ: Nemojte koristiti proizvod na kojem nema filtera za zrak ili na kojem je filter za zrak oštećen. Prašina u zraku može izazvati oštećenja proizvoda.

1. Pomjerite ručicu čoka u zatvoreni položaj.
2. Skinite poklopac filtera za zrak (A).
3. Uklonite predfilter (B) s poklopca filtera za zrak. (SI. 42)
4. S okvira filtera skinite filter za zrak (C).
5. Očistite predfilter i filter za zrak toplom vodom i sapunicom.

Napomena: Filter za zrak koji se koristi duže vrijeme nije moguće potpuno očistiti. Redovno mijenjajte filter za zrak i uvijek zamijenite neispravan filter za zrak.

6. Očistite unutrašnju površinu poklopca filtera za zrak (A) četkicom.
7. Vratite filter za zrak na okvir filtera.

8. Spojite predfilter na poklopac filtera za zrak.

9. Spojite poklopac filtera za zrak na proizvod.

Rješavanje problema

Motor se ne može pokrenuti		
Provjeri	Mogući uzrok	Rješenje
Zapinjači startera.	Blokirani ili istrošeni zapinjači pokretača.	Podesite ili zamijenite zapinjače pokretača.
		Očistite prostor oko zapinjača pokretača.
		Obratite se servisnom zastupniku.
Rezervoar za gorivo.	Neodgovarajuć a vrsta goriva.	Ispraznite rezervoar za gorivo i koristite odgovarajuću vrstu goriva.
Karburator.	Podešavanje broja obrtaja u praznom hodu.	Podesite broj obrtaja pomoću vijka za podešavanje praznog hoda.
Iskra (nema iskre).	Svjećica je prljava ili vlažna.	Vodite računa da svjećica bude čista i suha.
	Zazor između elektroda na svjećici je nepravilan.	Očistite svjećicu. Vodite računa da zazor između elektroda bude pravilan. Podatke o odgovarajućem zazoru između elektroda potražite u tehničkim podacima.
Svjećica.	Svjećica je labava.	Pritegnite svjećicu.
	Na elektrodama svjećice ima neželjenog materijala.	Provjerite je li mješavina goriva ispravna. Provjerite je li filter za zrak čist.

Motor se pokreće, ali se ponovo zaustavlja		
Provjeri	Mogući uzrok	Rješenje
Rezervoar za gorivo.	Neodgovarajuć a vrsta goriva.	Ispraznite rezervoar za gorivo i koristite odgovarajuću vrstu goriva.
Karburator.	Motor ne radi pravilno na broju obrtaja u praznom hodu	Obratite se servisnom zastupniku.
Filter za zrak.	Začepljen filter za zrak.	Čišćenje filtera zraka.

Transport i skladištenje



UPOZORENJE: Da biste otklonili rizik od požara, provjerite da nema curenja ili isparavanja tokom transporta ili skladištenja. Provjerite da ne postoji rizik od iskrenja ili vatre.

- Ispraznite spremnik za gorivo prije transporta ili dugotrajnog skladištenja. Pritisnite kuglicu pumpice za istiskivanje zraka kako biste uklonili svo gorivo. Odložite gorivo na odgovarajuće mjesto za odlaganje.
- Prije dugotrajnog skladištenja pregledajte je li proizvod čist i provjerite je li izvršeno puno servisiranje.
- Skinite svječicu i ulijte otprilike 15 ml ulja za dvotaktne motore u cilindar. Okrenite proizvod 3 puta i ponovo postavite svječicu.
- Proizvod dobro učvrstite za vozilo tokom transporta.
- Proizvod držite na suhom, hladnom i čistom mjestu s dobrom ventilacijom. Proizvod držite van domašaja djece.

Tehnički podaci

Tehnički podaci

	Husqvarna 345BT (BP152HV)
Motor	
Volumen cilindra cm ³	51,7
Broj obrtaja u praznom hodu, o/min	2800
Katalizator	Da
Sistem paljenja	
Svjećica	NGK BPMR7A/Champion RCJ6Y
Zazor elektroda, mm	0,6–0,7
Okretni moment svjećice, Nm	25–30
Sistem napajanja gorivom i podmazivanje	
Kapacitet rezervoara za gorivo, l/cm ³	1,0/1000
Težina	
Težina bez goriva, kg	10,0
Emisija buke ⁷	
Nivo jačine zvuka mjeren u dB (A)	110
Nivo jačine zvuka, garantirani L _{WA} dB(A)	113
Nivoi jačine zvuka ⁸	
Ekvivalentni nivo pritiska zvuka na uho rukovaoca izmjeren u skladu sa standardom EN15503 dB(A):	
Opremljen mlaznicom puhača (originalni dijelovi)	101
Nivoi vibracija ⁹	
Ekvivalent nivoa vibracija (a _{hV,eq}) na ručkama, mjereno u skladu sa standardom EN 15503, m/s ²	6,1
Performanse ventilatora	
Maksimalna brzina strujanja zraka s mlaznicom velike brzine, m/s:	98,3
Protok zraka bez mlaznice velike brzine, m ³ /min	13,9

⁷ Emisije buke u okruženju mjerene kao jačina zvuka (L_{WA}) u skladu s Direktivom EC 2000/14/EZ. Prijavljeni nivo jačine zvuka za mašinu izmjeren je s originalnim reznim dodatkom koji daje najviši nivo. Razlika između garantirane i izmjerene jačine zvuka je u tome da garantirana jačina zvuka obuhvata i disperziju rezultata mjerenja i varijacije između različitih mašina istog modela u skladu s Direktivom 2000/14/EZ.

⁸ Zabilježeni podaci nivoa pritiska buke posjeduju tipičnu statičku disperziju (standardno odstupanje) od 3,0 dB(A).

⁹ Objavljeni podatak za nivo vibracija ima tipičnu statističku disperziju (standardno odstupanje) od 1,5 m/s².

Izjava EK o usklađenosti

Izjava o usklađenosti s propisima EZ

Mi, Husqvarna AB, SE 561 82 Huskvarna, ŠVEDSKA, izjavljujemo pod punom odgovornošću da predstavljeni proizvod:

Pär Martinsson

odgovoran za tehničku dokumentaciju



Opis	Benzinski puhač/ vakuumski puhač
Brend	Husqvarna
Platforma / tip / model	Platforma BP152HV, predstavlja model 345BT.
Serijski broj	Serijski broj s datumom od 2022. i nadalje.

u potpunosti je u skladu sa sljedećim EU direktivama i propisima:

Direktiva/propis	Opis
2006/42/EC	“o mašinama”
2014/30/EU	“o elektromagnetnoj kompatibilnosti”
2000/14/EC	“o spoljnoj buci”
2011/65/EU	“o ograničenju upotrebe određenih opasnih supstanci”

Harmonizirani standardi i/ili tehničke specifikacije koje su primijenjene su kako slijedi: EN ISO 12100:2010, EN 15503:2009+A2, CISPR 12:2007, EN ISO 14982:2009, EN IEC 63000:2018, EN IEC 63000:2018

U skladu s direktivom 2000/14/EZ, Prilog V, deklarirane vrijednosti zvuka su navedene u odjeljku s tehničkim podacima ovog priručnika.

Organizacija TÜV Rheinland provela je nezavisno ispitivanje za kompaniju Husqvarna AB te je izdala AM 50391742 – certifikat o usklađenosti s direktivom EU Vijeća 2006/42/EZ za mašine.

Certifikat vrijedi za sve proizvodne lokacije i zemlje porijekla kako je navedeno na proizvodu.

Isporučeni benzinsko puhalo/vakuumsko puhalo je u skladu s primjerkom koji je podvrgnut pregledu.

U ime kompanije Husqvarna AB, SE-561 82 Huskvarna, ŠVEDSKA,

Obsah

Úvod.....	44	Odstraňování problémů.....	52
Bezpečnost.....	45	Přeprava a skladování.....	53
Montáž.....	47	Technické údaje.....	54
Provoz.....	48	ES Prohlášení o shodě.....	55
Údržba.....	50		

Úvod

Popis výrobku

Tento výrobek je zádový foukač se spalovacím motorem.

Řídíme se strategií neustálého vývoje výrobku, a proto si vyhrazujeme právo měnit konstrukci a vzhled výrobků bez předchozího upozornění.

Popis výrobku

(Obr. 1)

1. Páka ovládání plynu
2. Tělo karabiny
3. Popruh
4. Kryt motoru
5. Kryt ventilátoru
6. Sítko nasávaného vzduchu
7. Vzduchový filtr
8. Rukojeť startéru
9. Palivová nádrž
10. Bederní popruh
11. Zapalovací svíčka
12. Systém tlumení vibrací
13. Ovládání sytiče
14. Ovládací rukojeť
15. Vypínač s ovládáním plynu
16. Páčka plynu
17. Koleno trubky
18. Svorka
19. Pružná hadice
20. Hlavní trubka
21. Svorka lanka
22. Střední díl trubky
23. Tryska foukače
24. Návod k používání
25. Kombinovaný klíč
26. Pomocná palivová pumpička
27. Vysokorychlostní tryska
28. Šroub seřízení volnoběžných otáček
29. Ventilátor
30. Stupačka

Doporučené použití

Produkt se používá k vyfoukání listů a dalšího nežádoucího materiálu z oblastí jako jsou trávníky, chodníky a asfaltové silnice.

Symbyly na výrobku

- (Obr. 2) **VAROVÁNÍ!** Tento výrobek může být nebezpečný a způsobit obsluhu či dalším osobám vážné zranění. Buďte opatrní a výrobek používejte správně.
- (Obr. 3) Před použitím si pozorně prostudujte tento návod k používání a nepoužívejte výrobek, pokud návodu zcela nerozumíte.
- (Obr. 4) Vždy používejte schválenou ochranu sluchu a schválenou ochranu očí. Pokud je v prostředí prach, používejte dýchací masku.
- (Obr. 5) Během provozu a údržby používejte schválené ochranné rukavice. Používejte ochrannou obuv s protiskluzovými podrážkami. Používejte oděv z pevné tkaniny s dlouhými nohaviciemi a rukávy.
- (Obr. 6) Dlouhé vlasy si vyčesťte nahoru nad ramena.
- (Obr. 7) Během provozu nenoste šperky nebo volné oblečení.
- (Obr. 8) Smíchejte benzin a olej pro dvoudobé motory.
- (Obr. 9) Pomocná palivová pumpička.
- (Obr. 10) Udržujte všechny části těla v bezpečné vzdálenosti od horkých povrchů.

(Obr. 11) Nepřibližujte se k ventilátoru, když se otáčí.

(Obr. 12) Sytič, otevřená poloha.

(Obr. 13) Sytič, uzavřená poloha.

(Obr. 14) Šroub seřízení volnoběžných otáček.

(Obr. 15) Tento výrobek vyhovuje příslušným směrnícím ES.

(Obr. 16) Tento výrobek vyhovuje platným předpisům Spojeného království.

(Obr. 17) Emise hluku do životního prostředí podle směrnice EU 2000/14/ES a podle nařízení o regulaci hluku v australském Novém Jižním Walesu „Protection of the Environment Operations (Noise Control) Regulation 2017“. Údaje o emisích hluku naleznete na štítku stroje a v kapitole Technické údaje.

(Obr. 18) Dejte pozor na odmrštěné předměty. Odmrštěné předměty mohou způsobit vážné zranění. Používejte osobní ochranné pomůcky.

(Obr. 19)

yyyywwxxxx

Udržujte bezpečnou vzdálenost nejméně 15 m od osob nebo zvířat.

Typový štítek s výrobním číslem nebo natištěné číslo. **yyyy** znamená rok výroby a **ww** znamená týden výroby.

Povšimněte si: Další symboly/štítky na produktu se týkají certifikačních požadavků pro další komerční oblasti.

Odpovědnost za výrobek

Jak uvádí zákon o odpovědnosti za výrobek, neneseme odpovědnost za žádnou škodu způsobenou naším výrobkem, pokud:

- byl výrobek nesprávně opraven.
- byl výrobek opraven pomocí součástí od jiného výrobce nebo součástí, které nejsou výrobcem schváleny.
- má výrobek příslušenství od jiného výrobce nebo příslušenství, které není výrobcem schváleno.
- výrobek nebyl opraven ve schváleném servisním středisku nebo schváleným odborníkem.

Bezpečnost

Definice týkající se bezpečnosti

Níže uvedené definice uvádí úroveň vážnosti jednotlivých signálních slov.



VÝSTRAHA: Zranění osob.



VAROVÁNÍ: Poškození výrobku.

Povšimněte si: Díky těmto informacím je používání výrobku snazší.

Obecné bezpečnostní pokyny



VÝSTRAHA: Před použitím výrobku si přečtěte následující varování.

- Neprovádějte na výrobku změny bez souhlasu výrobce a vždy používejte originální příslušenství. Neschválené úpravy nebo příslušenství mohou

vést k vážnému nebo smrtelnému zranění obsluhy a dalších osob.

- Nepoužívejte poškozený výrobek. Provádějte bezpečnostní kontroly a údržbu podle tohoto návodu k používání. Veškerou ostatní údržbu musí provést oprávnění servisní pracovníci.
- Veškerý servis a opravy musí provádět oprávnění servisní pracovníci. Pokud je některá část výrobku vadná, obraťte se na servisního prodejce.

Ochrana před vibracemi

Tento výrobek je určen pouze k příležitostnému provozu. Souvislý nebo pravidelný provoz tohoto výrobku může způsobit onemocnění rukou, tzv. bílé prsty, nebo podobné zdravotní problémy způsobené vibracemi. Pokud používáte výrobek souvisle nebo pravidelně, kontrolujte stav rukou a prstů. Pokud ruce nebo prsty zblednou, bolí, cítíte mravenčení nebo jsou znečitlivěné, ukončete práce a promluvte si co nejdříve s lékařem.

Bezpečnostní pokyny pro provoz



VÝSTRAHA: Před použitím výrobku si přečtěte následující varování.

- Tento výrobek může být nebezpečný a způsobit obsluze či dalším osobám vážné zranění. Buďte opatrní a výrobek používejte správně.
- Před použitím výrobek zkontrolujte. Další informace jsou uvedeny v části *Údržba na strani 50*.
- Nikdy výrobek nepoužívejte, jste-li unavení, nemocní nebo pod vlivem léků, alkoholu nebo drog, které mohou negativně ovlivnit váš zrak, úsudek a koordinaci pohybů.
- Před použitím nainstalujte všechny kryty. Aby nedošlo k úrazu elektrickým proudem, zkontrolujte, zda není poškozena koncovka kabelu zapalovací svíčky a kabel zapalování.
- Při spuštěném motoru se nedotýkejte zapalovací svíčky ani zapalovacího kabelu.
- Udržujte bezpečnou vzdálenost nejméně 15 m od osob nebo zvířat. Pokud se osoby, děti nebo zvířata přiblíží na méně než 15 m, zastavte výrobek. Výrobek míře mimo osoby, zvířata, otevřená okna a další předměty.
- Nenechte děti obsluhovat výrobek. Zajistěte, aby si všichni uživatelé přečetli návod k používání a pochopili jeho obsah.
- Během provozu udržujte ruce a jiné předměty v dostatečné vzdálenosti od skříňové foukače. Rotující části mohou způsobit vážné zranění.
- Nepoužívejte výrobek, pokud není nainstalováno sítko nasávaného vzduchu. Před použitím se vždy ujistěte, že je nainstalováno sítko nasávaného vzduchu a není poškozené.
- V případě nouze uvolněte bederní a hrudní popruh postroje a nechte výrobek spadnout.
- Dodržujte státní předpisy a směrnice.
- Udržujte všechny části těla v bezpečné vzdálenosti od horkých povrchů.
- Příliš velké vibrace mohou způsobit poškození krevního oběhu nebo nervové soustavy. Pokud máte příznaky, například necitlivost, ztrátu citu, mravenčení, píchání, bolest, ztrátu síly nebo změny barvy pokožky na prstech, rukou nebo zápěstí, poraďte se se svým lékařem.
- Dejte pozor na odmrštěné předměty. Odmrštěné předměty mohou způsobit vážné zranění.
- Nepoužívejte výrobek za špatného počasí, například v mlze, dešti, silném větru nebo silném mrazu. Práce za špatného počasí může mít za následek únavu a nebezpečné podmínky.
- Přesvědčte se, že se můžete pohybovat a udržovat stabilní polohu. Zkontrolujte, zda v pracovní oblasti nejsou nějaké překážky, například kameny. Buďte opatrní při používání výrobku na svahu.
- Nepokládejte výrobek na zem, když je spuštěný motor.
- Nepoužívejte výrobek z vysoko položených míst, například na žebříku.
- Zajistěte, abyste v případě nehody mohli vždy přivolat pomoc.
- Zkontrolujte, zda není výstup výfukových plynů zablokovaný. Aby nedošlo k poškození výrobku,

udržujte překážky ve vzdálenosti minimálně 50 cm od výstupu výfukových plynů.

- Nestartujte výrobek uvnitř budov, ve špatně větráných prostorech ani v blízkosti hořlavých materiálů. Výfukové plyny motoru obsahují kyslíčnick uhelnatý, který může způsobit otravu. Výfukové plyny motoru jsou horké a mohou obsahovat jiskry, které by mohly zažehnout požár.

Osobní ochranné prostředky



VÝSTRAHA: Před použitím výrobku si přečtěte následující varování.

- Při použití výrobku je nutné používat schválené osobní ochranné prostředky. Osobní ochranné prostředky nemohou zcela eliminovat nebezpečí úrazu, ale pomáhají snížit míru poranění. Další informace získáte u svého prodejce.
- Vždy používejte schválenou ochranu sluchu. Dlouhodobé vystavení hluku může vést k trvalému poškození sluchu.
- Vždy používejte schválenou ochranu očí. Použijete-li štít, je nutno použít i schválené ochranné brýle. Schválené ochranné brýle musí být v souladu s normou ANSI Z87.1 v USA nebo EN 166 v zemích EU.
- Během provozu a údržby používejte ochranné rukavice.
- Používejte ochrannou obuv s protiskluzovými podrážkami.
- Používejte oděv z pevné tkaniny s dlouhými nohavicemi a rukávy. Nenoste šperky ani otevřené boty. Aby se snížilo nebezpečí zranění, oděv musí být přiléhavý, ale nesmí vás omezovat v pohybu. Stáhněte si vlasy nad ramena, aby se nemohly dostat do rotujících částí nebo se zachytit ve větvích.
- Pokud hrozí nebezpečí vdechování prachu, používejte ochranu dýchacích cest.
- Mějte při ruce lékárníčku.

Bezpečnostní zařízení na produktu



VÝSTRAHA: Před použitím výrobku si přečtěte následující varování.

- Nepoužívejte výrobek, jehož bezpečnostní zařízení jsou vadná!
- Pravidelně kontrolujte bezpečnostní zařízení. Další informace naleznete v části *Údržba na strani 50*.
- Pokud je bezpečnostní zařízení vadné, obraťte se na servisního prodejce Husqvarna.

Kontrola tlumiče výfuku



VÝSTRAHA: Nepoužívejte výrobek s vadným tlumičem výfuku.



VÝSTRAHA: Tlumič výfuku se za provozu velmi zahřívá, a to i při volnoběžných otáčkách. Používejte ochranné rukavice, abyste zabránili popáleninám.



VÝSTRAHA: Vnitřní strana tlumiče výfuku obsahuje chemikálie, které mohou být karcinogenní. Nedotýkejte se tlumiče výfuku, pokud je poškozený.

- Pravidelně vizuálně kontrolujte tlumič výfuku. Tlumič výfuku je určen k omezení úrovně hluku na minimum a k usměrnění výfukových plynů směrem od obsluhy. Další informace jsou uvedeny v části *Kontrola a čištění chladicího systému na strani 51.*

Kontrola systému tlumení vibrací

1. Zkontrolujte, zda nejsou na antivibračních prvcích nějaké praskliny nebo deformace.
2. Zkontrolujte, zda jsou antivibrační prvky správně uchyceny k motoru a rukojeti.

Informace o místech, kde je instalován systém tlumení vibrací na vašem výrobku, naleznete v části *Popis výrobku na strani 44.*

Kontrola vypínače

1. Motor vypnete pomocí vypínače.
2. Ujistěte se, že se motor zcela zastavil.

Umístění vypínače na výrobku naleznete v části *Popis výrobku na strani 44.*

Bezpečnost nosného popruhu

Při práci s výrobkem vždy používejte nosný popruh. Bez nosného popruhu nelze výrobek bezpečně používat. Může tak dojít ke zranění vás i dalších osob. Zkontrolujte, zda jsou bederní a hrudní popruh připnuté a správně nastavené. Existuje nebezpečí, že se nezapnutý pás dostane do ventilátoru výrobku.

(Obr. 20)

Bezpečnost při manipulaci s palivem



VÝSTRAHA: Před použitím výrobku si přečtěte následující varování.

- Nemíchejte ani nedoplňujte palivo ve vnitřních prostorech nebo v blízkosti zdrojů tepla.
- Pokud je na výrobku nebo vašem těle olej nebo palivo, nespouštějte výrobek.
- Nespouštějte motor, pokud z něj uniká palivo. Pravidelně kontrolujte, zda z motoru neuniká palivo.
- Při manipulaci s palivem vždy dbejte zvýšené opatrnosti. Palivo je hořlavé a palivové výpary jsou výbušné a mohou způsobit vážné nebo smrtelné zranění.
- Nevdechujte palivové výpary, můžou způsobit zranění. Zajistěte dostatečný průtok vzduchu.
- V blízkosti paliva ani motoru nekuřte.
- Výrobek ani nádobu na palivo neumístejte do blízkosti teplých předmětů, míst s otevřeným ohněm, jiskrami nebo zapalovacím plamínkem.
- Vždy používejte schválené nádoby na skladování a přepravu paliva.

Bezpečnostní pokyny pro údržbu



VÝSTRAHA: Před použitím výrobku si přečtěte následující varování.

- Před prováděním údržby nebo montáže vypněte motor, vyjměte zapalovací svíčku a nechte motor vychladnout.
- Ucpané sítko lapače jisker způsobuje přehřívání motoru, což způsobí poškození motoru.
- Často ucpané sítko lapače jisker indikuje sníženou funkčnost katalyzátoru. Požádejte servis o kontrolu tlumiče výfuku.

Montáž

Úvod



VÝSTRAHA: Než začnete montovat výrobek, přečtěte si pozorně kapitolu o bezpečnosti.

Montáž trubky foukače a ovládací rukojeti na výrobek

Povšimněte si: Namažte trubky a pružnou hadici, aby se usnadnila jejich montáž.

1. Připevněte pružnou hadici (A) ke kolenu trubky a hlavní trubce (B) pomocí svorek (C) a (D). (Obr. 21)

- Přípevněte držák rukojeti (E) k hlavní trubce. Zarovnejte držák rukojeti s přírubou na hlavní trubce. (Obr. 22)
- Nastavte polohu ovládací rukojeti do bezpečné a správné pracovní polohy. Knoflík dotáhněte.
- Pomocí kabelové svorky připevněte kabel k pružné hadici. (Obr. 23)
- Přípevněte střední díl trubky k hlavní trubce. (Obr. 24)

- Přípevněte trysku foukače na střední díl trubky.

Povšimněte si: Trysku foukače lze připevnit pouze ke střednímu dílu trubky.

- Chcete-li zvýšit rychlost vzduchu, připojte k trysce foukače vysokorychlostní trysku.

Provoz

Úvod



VÝSTRAHA: Než začnete s výrobkem pracovat, přečtěte si důkladně kapitolu o bezpečnosti.

Palivo

Tento výrobek je vybaven dvoudobým motorem.



VAROVÁNÍ: Používání nesprávného typu paliva může vést k poškození motoru. Používejte směs benzínu a oleje pro dvoudobé motory.

Předmíchané palivo

- Používejte předmíchané alkylátové palivo Husqvarna. Zajišťují nejlepší výkon výrobku a prodlouží životnost motoru. Toto palivo obsahuje méně škodlivých chemikálií v porovnání s běžným palivem a snižuje množství škodlivých výfukových plynů. Množství zbytků po spálení je s tímto palivem menší a díky tomu jsou součásti motoru čistější.

Míchání paliva

Benzín

- Používejte kvalitní bezolovnatý benzín s obsahem etanolu maximálně 10 %.



VAROVÁNÍ: Nepoužívejte benzín s oktanovým číslem nižším než 90 RON/87 AKI. Při použití benzínu s nízkým oktanovým číslem může docházet ke klepání motoru, které způsobuje jeho poškození.

Olej pro dvoudobé motory

- Nejlepších výsledků dosáhnete s olejem pro dvoudobé motory Husqvarna.
- Není-li k dispozici olej pro dvoudobé motory Husqvarna, použijte kvalitní olej pro dvoudobé motory určený pro vzduchem chlazené motory. Správný olej vám doporučí servisní prodejce.



VAROVÁNÍ: Nepoužívejte olej pro dvoudobé motory chlazené vodou (olej pro lodní motory). Nepoužívejte olej pro čtyřdobé motory.

Míchání paliva a oleje pro dvoudobé motory

Benzín, l	Olej pro dvoudobé motory, l
	2 % (50:1)
5	0,10
10	0,20
15	0,30
20	0,40



VAROVÁNÍ: Při míchání pouze malého množství paliva hrozí riziko, že malá chyba v poměru významně ovlivní výslednou směs. Pečlivě odměřte množství oleje, který bude přimíchán do paliva, aby bylo zajištěno, že docílíte správného poměru.

(Obr. 25)

- Doplňte polovinu množství benzínu do čisté nádoby na palivo.
- Přidejte celé množství oleje.
- Směs paliva řádně protřepejte.
- Přidejte do nádoby zbývající množství benzínu.
- Směs paliva dobře protřepejte.



VAROVÁNÍ: Neskladujte směs paliva déle než 1 měsíc.

Doplňování paliva do palivové nádrže



VÝSTRAHA: Z bezpečnostních důvodů dodržujte následující postup.

1. Vypněte motor a nechte jej vychladnout.
2. Očistěte plochu kolem víčka palivové nádrže. (Obr. 26)
3. Protřepejte nádobu, aby se palivo zcela promíchalo.
4. Víčko palivové nádrže otevírejte pomalu, aby se uvolnil tlak.
5. Naplňte palivovou nádrž.



VAROVÁNÍ: Ujistěte se, že v palivové nádrži není příliš mnoho paliva. Palivo se rozpíná, jakmile se zahřeje.

6. Pevně dotáhněte víčko palivové nádrže.
7. Očistěte rozlité palivo na výrobku a v jeho okolí.
8. Před nastartováním přemístěte výrobek alespoň 3 m (10 stop) od místa, kde jste doplňovali palivo, a zdroje paliva.

Povšimněte si: Umístění palivové nádrže na výrobku naleznete v části *Popis výrobku na strani 44*.

Spouštění studeného motoru



VÝSTRAHA: Vzduch se začne vypouštět hned po nastartování motoru, a to i při volnoběžných otáčkách. V blízkosti foukače ani trubky foukače nesmí nikdo stát.

1. Pokud je motor studený, nastavte ovládání sytiče (A) do uzavřené polohy sytiče. Další informace jsou uvedeny v části *Symboly na výrobku na strani 44*. (Obr. 27)
2. Alespoň 10krát za sebou stiskněte pomocnou palivovou pumpičku (B), aby se začala plnit palivem. Není nezbytné zcela naplnit pomocnou palivovou pumpičku.
3. Nastavte ovládání plynu do polohy rychlého volnoběhu. Zarovnejte vodící značky na páce ovládání plynu a na ovládací rukojeti. (Obr. 28)
4. Položte výrobek na zem s rovným povrchem.
5. Držte výrobek levou rukou a položte nohu na stupačku. (Obr. 29)
6. Pravou rukou pomalu táhněte za rukojeť startovací šňůry, dokud neucítíte odpor.

Povšimněte si: Nevytahujte celou délku startovací šňůry a nepouštějte rukojeť.

7. Pravou rukou maximálně 6krát rychle zatáhněte za rukojeť startovací šňůry, dokud motor nenastartuje nebo se nepokusí nastartovat. Pokud motor nastartuje, pozvolna přesuňte páčku sytiče do otevřené polohy a pokračujte krokem 11. Pokud motor nenastartuje, přejděte ke kroku 9.

8. Pokud se motor pokusí nastartovat, pozvolna přesuňte páčku sytiče do otevřené polohy.
9. Pravou rukou maximálně 6krát rychle zatáhněte za rukojeť startovací šňůry, dokud motor nenastartuje.



Povšimněte si: Pokud motor nenastartuje, zopakujte pokyny pro spouštění od kroku 1.

10. Nechte motor běžet 30 sekund.
11. Nastavte ovládání plynu na volnoběžné otáčky. (Obr. 30)
12. K nastavení rychlosti foukače používejte páčku plynu. Další informace jsou uvedeny v části *Použití páčky plynu na strani 49*.

Spouštění teplého motoru

- Pokud je okolní teplota nižší než 32 °C (90 °F), použijte stejný postup startování jako v části *Spouštění studeného motoru na strani 49*, ale nenastavujte ovládání sytiče do zavřené polohy sytiče.
- Pokud je okolní teplota vyšší než 32 °C (90 °F), použijte stejný postup startování jako v části *Spouštění studeného motoru na strani 49*.

Použití páčky plynu

- Chcete-li během provozu zvýšit rychlost foukače, stiskněte páčku plynu tak, abyste dosáhli požadované rychlosti. (Obr. 31)
- Chcete-li během provozu snížit rychlost foukače, uvolněte páčku plynu tak, abyste dosáhli požadované rychlosti.

Spouštění motoru, když je palivo příliš horké

Pokud výrobek nespouští, může být palivo příliš horké.

Povšimněte si: Vždy používejte nové palivo a v teplém počasí zkrátte dobu provozu.

1. Umístěte výrobek na chladné místo chráněné před přímým slunečním světlem.
2. Nechejte výrobek vychladnout minimálně 20 minut.
3. Stiskněte opakovaně pomocnou palivovou pumpičku po dobu 10 až 15 sekund.
4. Postupujte podle pokynů pro spouštění studeného motoru. Další informace naleznete v části *Spouštění studeného motoru na strani 49*.

Obsluha výrobku

- Pracujte s výrobkem v obvyklé pracovní době. Dodržujte místní předpisy.

- Snižte počet kusů vybavení a vyberte správnou rychlost pro daný úkol. Používejte plyn v nejnižší možné poloze, aby množství hluku a prachu nebylo větší, než je nutné.
- Udržujte trysku foukače blízko u země.

Povšimněte si: Společnost Husqvarna doporučuje používat celý nástavec trysky foukače.

- Uvědomte si, jakým směrem fouká vítr, a používejte výrobek po směru větru.
- K uvolnění materiálu ze země použijte vhodné zahradní nářadí.
- V prašných místech použijte k navlhčení pracovní oblasti postřikovací zařízení. Tím se zkrátí doba provozu.
- Po ukončení činnosti uložte výrobek ve svislé poloze.

Zastavení výrobku



VAROVÁNÍ: Nezastavujte výrobek při plných otáčkách.

1. Stiskněte vypínač. (Obr. 32)

Povšimněte si: Při zastavení výrobku uslyšíte klepnutí. To je běžné a nejedná se o známku vadného výrobku.

Seřízení popruhu

1. Nasaďte si nosný popruh produktu.
2. Nasaďte si bederní popruh kolem pasu a zapněte přezku řemene bederního popruhu. (Obr. 33)
3. Utáhněte řemen bederního popruhu. (Obr. 34)
4. Zapněte přezku hrudního popruhu. (Obr. 35)
5. Nastavte polohu hrudního popruhu. (Obr. 36)
6. Utáhněte hrudní popruh. (Obr. 37)
7. Utáhněte ramenní popruhy tak, aby byl výrobek přitisknutý na vaše tělo. (Obr. 38)
8. Utáhněte nosné popruhy. (Obr. 39)

Údržba

Úvod



VÝSTRAHA: Než začnete na výrobku provádět údržbu, přečtěte si pozorně kapitolu o bezpečnosti.

Plán údržby

Údržba	Denně	Týdně	Měsíčně
Vyčistěte vnější povrchy.	X		
Zkontrolujte, zda ovládací rukojeť funguje správně.	X		
Zkontrolujte, zda vypínač funguje správně. Další informace jsou uvedeny v části <i>Kontrola vypínače na strani 47</i> .	X		
Zkontrolujte těsnost motoru, palivové nádrže a palivových vedení. Zkontrolujte, zda není palivový filtr znečištěný. V případě potřeby vyměňte palivový filtr.	X		
Vyčistěte vzduchový filtr. Pokud je to nutné, vyměňte vzduchový filtr.	X		
Dotáhněte matice a šrouby.	X		
Zkontrolujte přívod vzduchu a ujistěte se, že není ucpaný.	X		
Zkontrolujte startér a startovací šňůru ohledně poškození.		X	
Zkontrolujte, zda antivibrační prvky nevykazují známky poškození, prasklin a deformací. Zkontrolujte, zda jsou antivibrační prvky správně připevněny.		X	
Zkontrolujte zapalovací svíčku. Další informace jsou uvedeny v části <i>Kontrola zapalovací svíčky na strani 51</i> .		X	

Údržba	Denně	Týdně	Měsíčně
Vyčistěte chladicí systém.		X	
Vyčistěte vnější povrch karburátoru a jeho okolí.		X	
Vyčistěte palivovou nádrž.			X
Zkontrolujte všechny elektrické kabely a konektory.			X
Zkontrolujte a vyčistěte sítko lapače jisker na tlumiči výfuku (u výrobků bez katalyzátoru).		X	
Zkontrolujte a vyčistěte sítko lapače jisker na tlumiči výfuku (u výrobků s katalyzátorem).			X
Zkontrolujte zapalovací svíčku. V případě potřeby proveďte výměnu.			X

Úprava volnoběžných otáček

1. Zkontrolujte, zda je vzduchový filtr čistý a zda je jeho kryt řádně upevněn.
2. Seřídte volnoběžné otáčky pomocí stavěcího šroubu volnoběžných otáček. Umístění šroubu stavěcího volnoběžných otáček na výrobku naleznete v části *Popis výrobku na strani 44*.

Kontrola zapalovací svíčky



VAROVÁNÍ: Použijte doporučenou zapalovací svíčku. Další informace naleznete v části *Technické údaje na strani 54*. Nesprávná zapalovací svíčka může výrobek poškodit.

1. Vypněte motor a nechte výrobek vychladnout.
2. Pokud je zapalovací svíčka znečištěná, vyčistěte ji.
3. Zkontrolujte, zda je vzdálenost elektrod správná. Další informace naleznete v části *Technické údaje na strani 54*. (Obr. 40)
4. Zapalovací svíčku vyměňujte jedenkrát za měsíc nebo ještě častěji v případě potřeby.

Údržba tlumiče výfuku



VAROVÁNÍ: Často ucpané sítko lapače jisker indikuje sníženou funkčnost katalyzátoru. Požádejte servis o kontrolu tlumiče výfuku. Ucpané sítko lapače jisker způsobuje přehřívání, které může vést k poškození válce a pístu.



VAROVÁNÍ: Pokud je sítko lapače jisker poškozené, musí se vyměnit. Nepoužívejte výrobek, pokud sítko lapače jisker v tlumiči výfuku chybí nebo je vadné.

- Vyčistěte sítko lapače jisker na tlumiči výfuku. Použijte drátěný kartáč. (Obr. 41)

- Po 50 hodinách provozu nechte v servisu provést údržbu tlumiče výfuku a sítka lapače jisker nebo je nechte vyměnit.

Kontrola a čištění chladicího systému

Chladicí systém se skládá z chladicích žebber na válci a sítka nasávaného vzduchu.

1. Vypněte motor.
2. Zkontrolujte, zda není chladicí systém znečištěný nebo ucpaný. V případě potřeby vyčistěte sítko nasávaného vzduchu a chladicí žebra.



VAROVÁNÍ: Znečištěný nebo ucpaný chladicí systém může způsobit zvýšení teploty motoru, což může vést k poškození výrobku. Zanesené sítko nasávaného vzduchu snižuje sílu foukaného vzduchu.

3. Zkontrolujte, zda není chladicí systém poškozený. Zkontrolujte, že jsou díly správně připevněny k výrobku.

Čištění vzduchového filtru



VAROVÁNÍ: Nepoužívejte výrobek bez vzduchového filtru ani s poškozeným vzduchovým filtrem. Prach ve vzduchu může způsobit poškození motoru.

1. Zatlačte ovládání sytiče do uzavřené polohy.
2. Demontujte kryt vzduchového filtru (A).
3. Vyměňte předfiltr (B) z krytu vzduchového filtru. (Obr. 42)
4. Vyměňte vzduchový filtr (C) z rámu filtru.
5. Vyčistěte předfiltr a vzduchový filtr teplou mýdlovou vodou.

Povšimněte si: Vzduchový filtr, který byl používán po delší dobu, již nelze zcela vyčistit.

Vzduchový filtr pravidelně vyměňujte a vždy vyměňte vadný vzduchový filtr.

6. Vyčistěte vnitřní povrch krytu vzduchového filtru (A) pomocí kartáče.

7. Namontujte vzduchový filtr do rámu filtru.

8. Připevněte předfiltr ke krytu vzduchového filtru.

9. Připevněte kryt vzduchového filtru k výrobku.

Odstraňování problémů

Motor nelze spustit.

Zkontrolovat	Možná příčina	Řešení
Západky startéru.	Zablokované nebo opotřebované západky.	Seřídte nebo vyměňte západky startéru.
		Očistěte prostor okolo západek startéru.
		Obráťte se na schválený servis.
Palivová nádrž.	Nesprávný typ paliva.	Vypusťte palivovou nádrž a použijte správné palivo.
Karburátor.	Nastavení volnoběžných otáček.	Volnoběžné otáčky seřídte pomocí stavěcího šroubu volnoběžných otáček.
Zapalování (bez jiskry).	Zapalovací svíčka je znečištěná či vlhká.	Ujistěte se, že je zapalovací svíčka suchá a čistá.
		Vzdálenost elektrod zapalovací svíčky je nesprávná.
		Vyčistěte zapalovací svíčku. Zkontrolujte, zda je vzdálenost elektrod správná. Správnou vzdálenost elektrod najdete v části s technickými údaji.
Zapalovací svíčka.	Povolená zapalovací svíčka.	Dotáhněte zapalovací svíčku.
	Na elektrodách zapalovací svíčky je nežádoucí materiál.	Zkontrolujte správnost palivové směsi.
		Zkontrolujte, zda je vzduchový filtr čistý.

Motor startuje, ale znovu se vypíná.

Zkontrolovat	Možná příčina	Řešení
Palivová nádrž.	Nesprávný typ paliva.	Vypusťte palivovou nádrž a použijte správné palivo.
Karburátor.	Motor nefunguje správně ve volnoběžných otáčkách.	Obráťte se na servisního prodejce.
Vzduchový filtr.	Ucpaný vzduchový filtr.	Vyčistěte vzduchový filtr.

Převrava a skladování



VÝSTRAHA: Aby se zabránilo nebezpečí požáru, zajistěte, aby během přepravy nebo skladování nedocházelo k úniku kapalin a výparů. Ujistěte se, že nehrozí nebezpečí vzniku jisker nebo požáru.

- Před přepravou nebo dlouhodobým uskladněním vyprázdněte palivovou nádrž. Stiskněte pomocnou palivovou pumpičku a zkontrolujte, zda bylo odstraněno veškeré palivo. Odevzdejte palivo na příslušném sběrném místě.
- Před dlouhodobým uskladněním je nutné výrobek vyčistit a provést kompletní údržbu.
- Vyjměte zapalovací svíčku a do válce nalijte přibližně 15 ml oleje pro dvoudobé motory. Třikrát otočte výrobkem a znovu namontujte zapalovací svíčku.
- Během přepravy musí být výrobek bezpečně upevněný k vozidlu.
- Uchovávejte výrobek na suchém, chladném, dobře větraném a čistém místě. Uchovávejte výrobek mimo dosah dětí.

Technické údaje

Technické údaje

	Husqvarna 345BT (BP152HV)
Motor	
Zdvihový objem válce, cm ³	51,7
Volnoběžné otáčky, ot/min	2800
Katalyzátor	Ano
Systém zapalování	
Zapalovací svíčka	NGK BPMR7A/Champion RCJ6Y
Vzdálenost elektrod, mm	0,6–0,7
Utahovací moment zapalovací svíčky, Nm	25–30
Systém mazání a palivový systém	
Objem palivové nádrže, l/cm ³	1,0/1000
Hmotnost	
Hmotnost, bez paliva, kg	10,0
Emise hluku ¹⁰	
Hladina akustického výkonu, změřená dB (A)	110
Hladina akustického výkonu, zaručená L _{WA} dB (A)	113
Hladiny hluku ¹¹	
Ekvivalentní hladina akustického tlaku v úrovni uší obsluhy, změřená podle normy EN 15503, dB(A):	
Vybaven tryskou foukače (originální vybavení)	101
Úrovně vibrací ¹²	
Ekvivalentní hladiny vibrací (a _{hV,eq}) v rukojetích, měřené podle normy EN 15503, m/s ²	6,1
Výkon ventilátoru	
Maximální rychlost vzduchu s vysokorychlostní tryskou, m/s	98,3
Průtok vzduchu bez vysokorychlostní trysky, m ³ /min	13,9

¹⁰ Emise hluku v životním prostředí měřené jako akustický výkon (L_{WA}) v souladu se směrnicí 2000/14/EU. Uváděná hladina akustického výkonu pro stroj byla měřena s originálním řezacím nástavcem, který generuje nejvyšší hladinu. Rozdíl mezi garantovaným a měřeným akustickým výkonem je v tom, že garantovaný akustický výkon rovněž zahrnuje rozptýl výsledků měření a rozdíly mezi různými stroji téhož modelu podle Směrnice 2000/14/ES.

¹¹ Uváděná data pro hladinu tlaku zvuku mají typickou statistickou odchylku (standardní odchylku) 3,0 dB (A).

¹² Uváděná data o úrovni vibrací mají typickou statistickou odchylku (standardní odchylku) 1,5 m/s².

ES Prohlášení o shodě

Prohlášení o shodě ES

My, společnost Husqvarna AB, SE 561 82 Huskvarna, ŠVÉDSKO, zcela zodpovědně prohlašujeme, že příslušný výrobek:

Popis	Benzínový foukač / foukač-vysavač
Značka	Husqvarna
Platforma / typ / model	Platforma BP152HV, představující model 345BT.
Šarže	Výrobní číslo od roku 2022 a dále.

je zcela ve shodě s následujícími směrnici a předpisy EU:

Směrnice/předpis	Popis
2006/42/ES	„o strojních zařízeních“
2014/30/EU	„o elektromagnetické kompatibilitě“
2000/14/ES	„o venkovním hluku“
2011/65/EU	„o omezení používání některých nebezpečných látek“

Platí následující harmonizované normy anebo technické specifikace: EN ISO 12100:2010, EN 15503:2009+A2, CISPR 12:2007, EN ISO 14982:2009, EN IEC 63000:2018, EN IEC 63000:2018

Deklarované úrovně hluku jsou uvedeny v části s technickými údaji této příručky ve shodě se směrnicí 2000/14/ES, příloha V.

Společnost TÜV Rheinland provedla jménem společnosti Husqvarna AB dobrovolnou zkoušku zaručující AM 50391742 – Certifikát o shodě podle

Směrnice 2006/42/ES Evropské rady pro strojní zařízení.

Certifikát se vztahuje na všechny výrobní závody a země původu uvedené na produktu.

Dodaný benzinový foukač / foukač-vysavač je shodný s exemplářem, který prošel zkouškou.

Jménem Husqvarna AB, SE-561 82 Huskvarna, ŠVÉDSKO,



Pär Martinsson

Osoba odpovědná za technickou dokumentaci



Indhold

Indledning.....	56	Fejlfinding.....	64
Sikkerhed.....	57	Transport og opbevaring.....	65
Montering.....	59	Tekniske data.....	66
Drift.....	60	EU-overensstemmelseserklæring.....	67
Vedligeholdelse.....	62		

Indledning

Produktbeskrivelse

Produktet er en rygbåren løvblæser med en forbrændingsmotor.

Vi forsøger hele tiden at videreudvikle vores produkter og forbeholder os derfor ret til ændringer af bl.a. form og udseende af produkterne uden forudgående varsel.

Produktoversigt

(Fig. 1)

1. Gashåndtag
2. Ramme
3. Rygsæksele
4. Motordæksel
5. Blæserdæksel
6. Afskærmning til luftindtag
7. Luffilter
8. Startsnorens håndgreb
9. Brændstoftank
10. Taljebælte
11. Tændrør
12. Vibrationsdæmpningssystem
13. Chokerhåndtag
14. Styrehåndtag
15. Stopkontakt med gashåndtag
16. Gasregulering
17. Vinkelrør
18. Spændebånd
19. Fleksibel slange
20. Styrrør
21. Kabelklemme
22. Mellemrør
23. Mundstykke til løvblæser
24. Brugsanvisning
25. Ring- og gaffelnøgle
26. Brændstofpumpebold
27. Turbo-mundstykke
28. Justerskrue til tomgang
29. Blæser
30. Fodplade

Anvendelsesformål

Brug af produktet til at blæse blade og andet uønsket materiale fra områder som f.eks. plæner, stier og asfalterede veje.

Symboler på produktet

- (Fig. 2) ADVARSEL! Dette produkt kan være farligt og forårsage alvorlig personskade eller død for brugeren eller andre. Vær forsigtig, og brug produktet korrekt.
- (Fig. 3) Læs brugsanvisningen omhyggeligt igennem, og sørg for at have forstået instruktionerne, inden du bruger produktet.
- (Fig. 4) Brug godkendt høreværn og godkendt øjenværn. Hvis miljøet indeholder støv, skal der anvendes åndedrætsværn.
- (Fig. 5) Brug godkendte beskyttelseshandsker under drift og vedligeholdelse. Brug beskyttelsesstøvler eller -sko med skridsikre såler. Brug tøj af stærkt materiale og i fuld længde.
- (Fig. 6) Sørg for, at langt hår sættes, så det er over skuldrene.
- (Fig. 7) Bær ikke smykker eller løstsiddende tøj under drift.
- (Fig. 8) Blanding af benzin og totaktolie.
- (Fig. 9) Brændstofpumpebold.
- (Fig. 10) Hold alle kropsdele væk fra varme flader.
- (Fig. 11) Du må ikke gå tæt på kasteblæseren, når den drejer.

- (Fig. 12) Choker, åben position.
- (Fig. 13) Choker, lukket position.
- (Fig. 14) Justerskrue til tomgang.
- (Fig. 15) Dette produkt overholder gældende EU-direktiver.
- (Fig. 16) Dette produkt er i overensstemmelse med gældende UK-bestemmelser.
- (Fig. 17) Emission af støj og miljøpåvirkning i henhold til EU-direktiv 2000/14/EF og New South Wales' lovgivning om "Beskyttelse af miljøet (støjbegrensning) forordning 2017". Data om emission af støj findes på maskinens mærkat og i kapitlet Tekniske data.
- (Fig. 18) Hold øje med udkastede genstande. Udkastede genstande kan forårsage alvorlige skader. Bær personligt beskyttelsesudstyr.

(Fig. 19)

yyyywwxxxxx

Hold en sikkerhedsafstand på minimum 15 m til personer eller dyr.

Typeskiltet eller laserskriften viser serienummeret. **yyyy** er produktionsåret. **ww** er produktionsugen.

Bemærk: Andre symboler/mærkater på produktet henviser til certificeringskrav i andre handelsområder.

Produktansvar

Som nævnt i produktansvarsbestemmelserne hæfter vi ikke for skader forårsaget af vores produkt, hvis:

- produktet er forkert repareret.
- produktet er repareret med dele, der ikke er fra producenten eller ikke er godkendt af producenten
- produktet har tilbehør, der ikke er fra producenten eller ikke er godkendt af producenten.
- produktet ikke er repareret på et godkendt servicecenter eller af en godkendt myndighed.

Sikkerhed

Sikkerhedsdefinitioner

Definitionerne nedenfor angiver alvorligheden for hvert enkelt signalord.



ADVARSEL: Skade på personer.



BEMÆRK: Beskadigelse af produktet.

Bemærk: Disse oplysninger gør det lettere at bruge produktet.

Generelle sikkerhedsinstruktioner



ADVARSEL: Læs følgende advarselsinstruktioner, inden du bruger produktet.

- Udfør ikke ændringer af produktet uden tilladelse fra producenten, og brug altid originalt tilbehør. Ændringer og/eller tilbehør, der ikke er godkendt, kan forårsage alvorlige skader eller dødsfald for brugeren eller andre.

- Brug ikke et beskadiget produkt. Gennemfør sikkerhedskontroller og vedligeholdelse, som beskrevet i denne brugsanvisning. Al anden vedligeholdelse skal udføres af godkendt servicepersonale.
- Al service og alle reparationer skal udføres af godkendt servicepersonale. Hvis en del af produktet er defekt, skal du kontakte din serviceforhandler.

Vibrationssikkerhed

Dette produkt er kun til lejlighedsvis brug. Vedvarende eller regelmæssig brug af produktet kan forårsage "hvide fingre" eller tilsvarende medicinske problemer på grund af vibrationer. Hold øje med dine hænder og fingre, hvis du betjener produktet vedvarende eller regelmæssigt. Hvis dine hænder eller fingre har misfarvning, gør ondt, snurrer eller er følelseløse, skal du stoppe arbejdet og tale med en læge med det samme.

Sikkerhedsinstruktioner for betjening



ADVARSEL: Læs følgende advarselsinstruktioner, inden du bruger produktet.

- Dette produkt kan være farligt og forårsage alvorlig personskade eller død for brugeren eller andre. Vær forsigtig, og brug produktet korrekt.

- Kontrollér produktet inden brug. Se *Vedligeholdelse på side 62*.
- Betjen aldrig produktet, hvis du er træt, syg eller påvirket af alkohol, narkotika eller medicin, der kan reducere dit syn, dømmekraft eller koordinationssevne.
- Monter alle dæksler og afskærmninger før brug. For at undgå elektrisk stød skal du sørge for, at tændhætten og tændkablet ikke er beskadigede.
- Rør aldrig ved tændrøret eller tændkablet, mens motoren er i gang.
- Hold en sikkerhedsafstand på minimum 15 m til personer eller dyr. Hvis personer, børn eller dyr kommer nærmere end 15 m, skal du standse produktet. Vend produktet væk fra mennesker, dyr, åbne vinduer og andre genstande.
- Lad ikke børn betjene produktet. Sørg for, at alle brugere læser og forstår indholdet i denne brugsanvisning.
- Hold hænder og andre genstande væk fra blæserhuset under drift. Roterende dele kan forårsage alvorlige skader.
- Brug ikke produktet, hvis afskærmningen til luftindtag ikke er monteret. Sørg altid for, at afskærmningen til luftindtag er monteret og er ubeskadiget før brug.
- Hvis der opstår en nødsituation, skal du frigøre selens taljebælte og brystbælte og lade produktet falde ned.
- Overhold nationale forordninger og direktiver.
- Hold alle kropsdele væk fra varme flader.
- For mange vibrationer kan beskadige blodomløbet eller nervesystemet. Tal med din læge, hvis du har symptomer, f.eks. følelsesløshed, tab af følesans, kildren, smerte, manglende styrke eller forandringer i hudens farve på fingre, hænder eller håndled.
- Hold øje med udkastede genstande. Udkastede genstande kan forårsage alvorlige skader.
- Brug ikke produktet i dårligt vejr, f.eks. tåge, regn, hård vind og intens kulde. Arbejde i dårligt vejr kan forårsage træthed og farlige forhold.
- Sørg for, at du kan bevæge dig og arbejde i en stabil stilling. Udfør en kontrol af arbejdsområdet for eventuelle forhindringer, f.eks. sten. Vær forsigtig, hvis du bruger produktet på en skrånning.
- Læg ikke produktet på jorden, mens motoren er tændt.
- Anvend ikke produktet fra høje positioner, f.eks. på en stige.
- Sørg for, at du altid kan høres i tilfælde af et uheld.
- Sørg for, at udstødningsgasudgangen ikke er tilstoppet. Undgå at beskadige produktet, og hold forhindringer i en afstand på mindst 50 cm fra udstødningsgasudgangen.
- Start ikke produktet indendørs, hvis der er dårlig luftgennemstrømning, eller i nærheden af brandfarligt materiale. Motorens udstødningsgasser indeholder kulmonoxid, hvilket kan forårsage kulmonoxidforgiftning. Motorens udstødningsgasser

er varme og kan indeholde gnister, der kan starte en brand.

Personligt beskyttelsesudstyr



ADVARSEL: Læs følgende advarselsinstruktioner, inden du bruger produktet.

- Brug godkendt personligt beskyttelsesudstyr, når du bruger produktet. Personligt beskyttelsesudstyr udelukker ikke fuldstændigt risikoen for personskader, men det mindsker omfanget af skaderne. Spørg forhandleren for at få yderligere oplysninger.
- Brug godkendt høreværn. Langvarig eksponering for støj kan medføre permanente høreskader.
- Brug godkendt øjenværn. Hvis du bruger et ansigtssværm, skal du også bruge godkendte beskyttelsesbriller. Godkendte beskyttelsesbriller skal overholde den amerikanske standard ANSI Z87.1 eller EU-standarden EN 166.
- Brug beskyttelseshandsker under drift og vedligeholdelse.
- Brug beskyttelsesstøvler eller -sko med skridsikre såler.
- Brug tøj af stærkt materiale og i fuld længde. Bær ikke smykker eller åbne sko. For at mindske risikoen for personskade skal tøjet være tætsluttende, men ikke begrænse dine bevægelser. Sæt håret op over dine skuldre for at forhindre, at håret kommer ned i de roterende dele eller fanges af grene.
- Brug åndedrætsværn, når der er risiko for støv.
- Hav førstehjælpsudstyr i nærheden.

Sikkerhedsanordninger på produktet



ADVARSEL: Læs følgende advarselsinstruktioner, inden du bruger produktet.

- Brug ikke et produkt med defekte sikkerhedsanordninger.
- Kontrollér sikkerhedsanordningerne regelmæssigt. Se *Vedligeholdelse på side 62*.
- Hvis sikkerhedsanordningerne er defekte, skal du henvende dig til din Husqvarna-serviceforhandler.

Sådan kontrolleres lyddæmperen



ADVARSEL: Brug ikke produktet med en defekt lyddæmper.



ADVARSEL: Lyddæmperen bliver meget varm under og efter brug, også i tomgang. Brug beskyttelseshandsker for at undgå forbrændinger.



ADVARSEL: Lyddæmperens inderside indeholder kemikalier, der kan være kræftfremkaldende. Rør ikke lyddæmperen, hvis den er beskadiget.

- Foretag jævnligt en visuel undersøgelse af lyddæmperen. Lyddæmperen sikrer et minimalt støjniveau og sender udstødningsgasserne væk fra brugeren. Se *Sådan undersøges og renses kølesystemet*, på side 63.

Sådan kontrolleres vibrationsdæmpningssystemet

1. Sørg for, at der ikke er revner på og deformation af vibrationsdæmpningsenhederne.
2. Kontrollér, at vibrationsdæmpningsenhederne er korrekt forankret til motorenheden og håndtagsenheden.

Se *Produktoversigt på side 56* for at få oplysninger om, hvor vibrationsdæmpningssystemet er på dit produkt.

Sådan kontrolleres start/stop-kontakten

1. Brug start/stop-kontakten til at stoppe motoren.
2. Sørg for, at motoren standses helt.

Se *Produktoversigt på side 56* for at se, hvor start/stop-kontakten sidder på produktet.

Selesikkerhed

Anvend altid selen ved betjening af produktet. Hvis du ikke bruger selen, kan du ikke betjene produktet sikkert. Det kan medføre, at du selv eller andre kommer til skade. Sørg for, at taljebæltet og bryststroppen er fastgjort og justeret korrekt. Der er risiko for, at et åbent bælte kan blive suget ind i produktets ventilator.

(Fig. 20)

Brændstofsikkerhed



ADVARSEL: Læs følgende advarselsinstruktioner, inden du bruger produktet.

- Bland og tilføj ikke brændstof indendørs eller i nærheden af en varmekilde.
- Start ikke produktet, hvis du får olie eller brændstof på produktet eller på din krop.
- Start ikke produktet, hvis motoren lækker. Undersøg regelmæssigt motoren for brændstoflækager.
- Vær altid forsigtig med brændstof. Brændstof er letantændeligt, og brændstoffdampe er eksplosive og kan forårsage alvorlige skader eller dødsfald.
- Undgå at indånde brændstoffdampene, da det kan forårsage personskader. Sørg for, at der er tilstrækkelig luftstrøm.
- Ryg ikke i nærheden af brændstof eller motor.
- Anbring ikke produktet eller en brændstoffdunk nær varme genstande, på steder med åben ild, gnister eller tændflammer.
- Brug altid godkendte beholdere til opbevaring og transport af brændstof.

Sikkerhedsinstruktioner for vedligeholdelse



ADVARSEL: Læs følgende advarselsinstruktioner, inden du bruger produktet.

- Stands motoren, fjern tændrøret, og lad motoren køle af, før der udføres vedligeholdelse og montering.
- En tilstoppet gnistfangerskærm får motoren til at blive for varm, hvilket resulterer i beskadigelse af motoren.
- Hvis gnistfangerskærmen ofte er tilstoppet, kan dette være tegn på, at katalysatorens funktion er nedsat. Kontakt dit serviceværksted, så de kan efterse lyddæmperen.

Montering

Indledning



ADVARSEL: Læs og forstå kapitlet om sikkerhed, før du monterer produktet.

Sådan monteres blæserøret og styrehåndtaget på produktet

Bemærk: Smør rørene og den fleksible slange for at gøre dem lettere at samle.

1. Fastgør den fleksible slange (A) til vinkelrøret og styrerøret (B) med klemmerne (C) og (D). (Fig. 21)
2. Fastgør håndtagsbeslaget (E) på styrerøret. Flugt håndtagsbeslaget med flangen på styrerøret. (Fig. 22)

3. Juster positionen på styrehåndtaget til en sikker og korrekt arbejdsposition. Spænd grebet.
4. Fastgør kablet til den fleksible slange med kabelholderen. (Fig. 23)
5. Fastgør mellemrøret til styrerøret. (Fig. 24)
6. Fastgør blæserens mundstykke på mellemrøret.

Bemærk: Blæserens mundstykke kan kun monteres på mellemrøret.

7. For at opnå højere luffhastighed skal du fastgøre turbo-mundstykket til blæserdysen.

Drift

Indledning



ADVARSEL: Læs og forstå kapitlet om sikkerhed, før du bruger produktet.

Brændstof

Dette produkt har en totaktsmotor.



BEMÆRK: Forkert brændstof kan medføre beskadigelse af motoren. Brug en blanding af benzin og totaktsolie.

Forblandet brændstof

- Brug Husqvarna forblandet alkylatbenzin – det giver det bedste resultat og forlænger af motorens levetid. Dette brændstof indeholder færre skadelige kemikalier sammenlignet med almindeligt brændstof, hvilket reducerer skadelige udstødningsgasser. Mængden af rester efter forbrændingen er lavere med dette brændstof, som holder komponenterne i motoren mere rene.

Sådan blandes brændstof

Benzin

- Brug blyfri benzin af god kvalitet med et ethanolinhold på maks. 10 %.



BEMÆRK: Brug ikke benzin med et oktantal mindre end 90 RON/87 AKI. Brug af et lavere oktantal kan forårsage motorbanken, hvilket beskadiger motoren.

Totaktsolie

- De bedste resultater opnås ved anvendelse af Husqvarna-totaktsolie.
- Hvis du ikke kan få fat i Husqvarna-totaktsolie, kan du også bruge en anden totaktsolie af høj kvalitet, som er beregnet til luftkølede motorer. Tal med din serviceforhandler om valg af den korrekte olie.



BEMÆRK: Brug aldrig totaktsolie til vandafkølede udenbordsmotorer, såkaldt

outboardoil. Brug ikke olie beregnet til firetaktsmotorer.

Sådan blandes benzin og totaktsolie

Benzin, liter	Totaktsolie, liter
	2 % (50:1)
5	0,10
10	0,20
15	0,30
20	0,40



BEMÆRK: Små fejl kan påvirke forholdet i blandingen drastisk, hvis du blander små mængder brændstof. Mål omhyggeligt mængden af olie, og sørg for, at du får den rigtige blanding.

(Fig. 25)

1. Fyld halvdelen af mængden af benzin i en ren beholder til brændstof.
2. Tilføj al olien.
3. Ryst brændstofblandingen.
4. Hæld den resterende mængde over i beholderen.
5. Ryst brændstofblandingen omhyggeligt.



BEMÆRK: Bland ikke brændstof til mere end 1 måned ad gangen.

Sådan fyldes brændstoftanken



ADVARSEL: Følg nedenstående fremgangsmåde for din egen sikkerheds skyld.

1. Stands motoren, og lad den blive kold.
2. Rengør omkring brændstoftankens dæksel. (Fig. 26)
3. Ryst beholderen, og sørg for, at brændstoffet er helt blandet.

- Afmonter brændstoftankens dæksel langsomt for at aflaste trykket.
- Fyld brændstoftanken.



BEMÆRK: Sørg for, at der ikke er for meget brændstof i tanken. Brændstoffet udvider sig, når det bliver varmt.

- Spænd brændstoftankens dæksel helt.
- Afrens spildt brændstof på og omkring produktet.
- Flyt produktet mindst 3 m/10 fod væk fra tankningsstedet og -kilden, inden det startes.

Bemærk: Se *Produktoversigt på side 56* for at se, hvor brændstoftanken sidder på produktet.

Sådan starter du en kold motor



ADVARSEL: Der frigives luft, så snart motoren startes – også i tomgang. Lad ikke andre stå tæt på blæseren eller blæserrøret.

- Hvis motoren er kold, skal du sætte chokerhåndtaget (A) i den lukkede chokerposition. Se *Symboler på produktet på side 56*. (Fig. 27)
- Tryk på brændstofpumpebolden (B) igen og igen, mindst 10 gange, indtil brændstoffet begynder at fylde pumpen. Det er ikke nødvendigt at fylde brændstofpumpebolden helt.
- Flyt gashåndtaget til positionen hurtigt tomgang. Ret styremærkerne på gashåndtaget og styrehåndtaget ind efter hinanden. (Fig. 28)
- Anbring produktet på en plan overflade på jorden.
- Hold fast i produktet med venstre hånd, og sæt foden på fodpladen. (Fig. 29)
- Træk langsomt i startsnorens håndtag med højre hånd, indtil du mærker modstand.

Bemærk: Træk ikke startsnorens håndtag helt ud, og slip ikke startsnorens håndtag.

- Træk hurtigt i startsnorens håndtag med højre hånd, indtil motoren starter eller forsøger at starte, maks. 6 gange. Hvis motoren starter, skal du gradvist flytte chokerhåndtaget til åben position og fortsætte til trin 11. Hvis motoren ikke starter, skal du fortsætte til trin 9.
- Når motoren starter eller forsøger på at starte, skal du gradvist skubbe chokerhåndtaget til åben position.
- Træk hurtigt i startsnorens håndtag med højre hånd, indtil motoren starter, maks. 6 gange.



Bemærk: Hvis motoren ikke starter, skal du gentage startinstruktionerne fra trin 1.

- Lad motoren køre i 30 sekunder.
- Sæt gashåndtaget i tomgangshastighed. (Fig. 30)
- Tryk på gasreguleringen for at regulere hastigheden. Se *Sådan bruges gasreguleringen på side 61*.

Sådan starter du en varm motor

- Hvis den omgivende temperatur er under 32° C, skal du bruge samme startprocedure som *Sådan starter du en kold motor på side 61*, men sæt ikke chokerhåndtaget i lukket chokerposition.
- Hvis den omgivende temperatur er over 32° C, skal du bruge samme startprocedure som *Sådan starter du en kold motor på side 61*.

Sådan bruges gasreguleringen

- For at øge blæserhastigheden under drift skal du trykke på gasreguleringen, indtil du opnår den korrekte hastighed. (Fig. 31)
- For at reducere blæserhastigheden under drift skal du slippe gasreguleringen, indtil du opnår den korrekte hastighed.

Sådan startes motoren, når brændstoffet er for varmt

Hvis produktet ikke starter, kan brændstoffet være for varmt.

Bemærk: Brug altid nyt brændstof, og brug produktet i mindre tid i varmt vejr.

- Sæt produktet et køligt sted i skyggen.
- Lad det køle af i mindst 20 minutter.
- Tryk på brændstofpumpebolden igen og igen i 10-15 sekunder.
- Følg proceduren for start af kold motor. Se *Sådan starter du en kold motor på side 61*.

Betjening af produktet

- Betjen produktet i normal arbejdstid. Overhold lokale bestemmelser.
- Reducer antallet af udstysdele, og vælg den rigtige hastighed til din opgave. Brug gasreguleringen ved lavest mulige position for at forhindre mere støj og støv end nødvendigt.
- Hold løvblæserens mundstykke tæt ved jorden.

Bemærk: Husqvarna anbefaler, at du bruger løvblæserens mundstykkeforlænger.

- Bemærk vindretningen, og betjen produktet iht. vindretningen.
- Brug haveredskaber til at løsne materiale fra jorden.

- I områder med støv skal du bruge sprøjteudstyr til at gøre området vådt. Det reducerer driftstiden.
- Efter arbejdet skal produktet opbevares lodret.

Sådan standses produktet



BEMÆRK: Stands ikke produktet ved maksimal hastighed.

1. Tryk på stop-kontakten. (Fig. 32)

Bemærk: Når produktet stopper, kan du høre en bankelyd. Dette er typisk og er ikke tegn på et defekt produkt.

Sådan justeres selen

1. Tag produktets sele på.
2. Sæt selen rundt om taljen, og sæt bæltespændet på taljestroppen. (Fig. 33)
3. Spænd remmen på taljebæltet. (Fig. 34)
4. Sæt bæltespændet på bryststroppen. (Fig. 35)
5. Juster bryststroppens position. (Fig. 36)
6. Stram brystremmen. (Fig. 37)
7. Spænd skulderselerne, indtil produktet sidder tæt mod kroppen. (Fig. 38)
8. Spænd løftstropperne. (Fig. 39)

Vedligeholdelse

Indledning



ADVARSEL: Læs og forstå sikkerhedskapitlet, før du udfører vedligeholdelse på produktet.

Vedligeholdelsesskema

Vedligeholdelse	Hver dag	Ugentligt	Månedligt
Rengør de udvendige overflader.	X		
Sørg for, at styrehåndtaget fungerer korrekt.	X		
Sørg for, at start/stop-kontakten fungerer korrekt. Se <i>Sådan kontrolleres start/stop-kontakten på side 59.</i>	X		
Undersøg motoren, brændstoftanken og brændstofslangerne for udsivning. Undersøg brændstoffilteret for forurening. Udskift brændstoffilteret, hvis det er nødvendigt.	X		
Rens luftfilteret. Udskift luftfilteret, hvis det er nødvendigt.	X		
Spænd møtrikker og skruer.	X		
Undersøg luftindtaget, og kontrollér, at det ikke tilstoppet.	X		
Undersøg startmotoren og startsnoren for skader.		X	
Undersøg vibrationsdæmpningsenhederne for skader, revner og skævheder. Sørg for, at vibrationsdæmpningsenhederne er monteret korrekt.		X	
Efterse tændrøret. Se <i>Sådan kontrolleres tændrøret på side 63.</i>		X	
Rens kølesystemet.		X	
Rens karburatorens udvendige flader og området omkring den.		X	
Rengør brændstoftanken.			X
Undersøg alle kabler og tilslutninger.			X

Vedligeholdelse	Hver dag	Ugentligt	Månedligt
Undersøg og rengør gnistfangerskærmen på lyddæmperen (på produkter uden katalysator).		X	
Undersøg og rengør gnistfangerskærmen på lyddæmperen (på produkter med katalysator).			X
Efterse tændrøret. Udskift dem, hvis det er nødvendigt.			X

Sådan justerer du tomgangshastigheden

1. Sørg for, at luftfilteret er rent og at luftfilterdækslet er fastgjort.
2. Juster tomgangshastigheden med tomgangsjusteringssskruen. Se *Produktoversigt på side 56* for at se, hvor tomgangsjusteringssskruen sidder på produktet.

Sådan kontrolleres tændrøret



BEMÆRK: Brug det anbefalede tændrør. Se *Tekniske data på side 66*. Et forkert tændrør kan medføre skader på produktet.

1. Stands motoren, og lad produktet blive koldt.
2. Rengør tændrøret, hvis det er snavset.
3. Sørg for, at elektrodeafstanden er korrekt. Se *Tekniske data på side 66*. (Fig. 40)
4. Udskift tændrøret hver måned eller oftere, hvis det er nødvendigt.

Sådan vedligeholder du lyddæmperen



BEMÆRK: Hvis gnistfangerskærmen ofte er tilstoppet, kan dette være tegn på, at katalysatorens funktion er nedsat. Kontakt dit serviceværksted, så de kan efterse lyddæmperen. En tilstoppet gnistfangerskærm overopheder enheden med skader på cylinder og stempel til følge.



BEMÆRK: Ved eventuelle skader på gnistfangerskærmen skal det udskiftes. Brug ikke apparatet, hvis gnistfangerskærmen på lyddæmperen mangler eller er defekt.

- Rengør gnistfangerskærmen på lyddæmperen. Brug en stålbørste. (Fig. 41)
- Lad en serviceforhandler udskifte eller udføre service på lyddæmperen og gnistfangerskærmen efter 50 timers drift.

Sådan undersøges og renses kølesystemet.

Kølesystemet omfatter køleribberne på cylinderen og afskærmningen til luftindtag.

1. Stop motoren.
2. Sørg for, at kølesystemet ikke er snavset eller tilstoppet. Hvis det er nødvendigt, skal afskærmningen til luftindtag og køleribberne rengøres.



BEMÆRK: Et snavset eller tilstoppet kølesystem kan medføre en stigning i motorens temperatur, hvilket kan forårsage skader på produktet. En tilstoppet afskærmningen til luftindtag reducerer blæserstyrken.

3. Undersøg kølesystemet for skader. Sørg for, at delene er korrekt monteret på produktet.

Rengøring af luftfilteret



BEMÆRK: Anvend ikke produktet uden et luftfilter eller med et beskadiget luftfilter. Støv i luften kan forårsage skader på motoren.

1. Skub chokerhåndtaget til den lukkede position.
2. Fjern luftfilterdækslet (A).
3. Fjern forfilteret (B) fra luftfilterdækslet. (Fig. 42)
4. Fjern luftfilteret (C) fra filterrammen.
5. Rengør forfilteret og luftfilteret med varmt vand og sæbe.

Bemærk: Et luftfilter, der har været brugt i lang tid, kan ikke blive helt rent. Udskift luftfilteret regelmæssigt, og udskift altid et defekt luftfilter.

6. Rengør den indvendige overflade på luftfilterdækslet (A) med en børste.
7. Sæt luftfilteret på filterrammen.
8. Monter forfilteret og luftfilterdækslet.
9. Monter luftfilterdækslet på produktet.

Fejlfinding

Det er ikke muligt at starte motoren.		
Markér	Mulig årsag	Løsning
Starthager.	Blokerede eller slidte starthager.	Juster eller udskift starthagen/starthagerne.
		Rengør omkring starthagen/starthagerne.
		Kontakt en godkendt serviceforhandler.
Brændstoftank.	Forkert brændstoftype.	Tøm brændstoftanken, og brug det rigtige brændstof.
Karburator.	Justering af tomgangsomsdrejningstallet.	Indstilling af tomgangshastigheden med justerskruen.
Gnist (ingen gnist).	Tændrør er beskidt eller vådt.	Sørg for, at tændrøret er tørt og rent.
		Rens tændrøret. Sørg for, at elektrodeafstanden er korrekt.
		Se de tekniske data for at få oplysninger om den korrekte elektrodeafstand.
Tændrør.	Løst tændrør.	Spænd tændrøret.
	Der er uønsket materiale på tændrørets elektroder.	Sørg for, at brændstofblandingen er korrekt.
		Sørg for, at luftfilteret er rent.

Motoren starter, men standser igen		
Markér	Mulig årsag	Løsning
Brændstoftank.	Forkert brændstoftype.	Tøm brændstoftanken, og brug det rigtige brændstof.
Karburator.	Motoren fungerer ikke korrekt i tomgangshastighed.	Kontakt din serviceforhandler.
Luftfilter.	Tilstoppet luftfilter.	Rens luftfilteret.

Transport og opbevaring

Transport og opbevaring



ADVARSEL: For at reducere risikoen for brand skal du sørge for, at der ikke forekommer lækager eller dampe under transport eller opbevaring. Sørg for, at der ikke er risiko for gnistdannelse eller brand.

- Tøm brændstoftanken før transport og langtidsopbevaring. Tryk på brændstoftpumpebolden for at sikre, at alt brændstof er fjernet. Bortskaf brændstoffet på en lokal miljøstation.
- Sørg for, at produktet er rent, og at der er udført fuld service før længere tids opbevaring.
- Fjern tændrøret, og hæld ca. 15 ml totaktolie i cylinderen. Vend produktet 3 gange, og sæt tændrøret i igen.
- Fastspænd produktet sikkert til køretøjet under transport.
- Anbring apparatet på et tørt, køligt og rent sted med god luftgennemstrømning. Opbevar produktet utilgængeligt for børn.

Tekniske data

Tekniske data

	Husqvarna 345BT (BP152HV)
Motor	
Cylindervolumen, cm ³	51,7
Omdrejningstal i tomgang, o/min.	2800
Katalysator	Ja
Tændingsystem	
Tændrør	NGK BPMR7A/Champion RCJ6Y
Elektrodeafstand, mm	0,6-0,7
Tilspændingsmoment for tændrør, Nm	25-30
Brændstof-/smøresystem	
Benzintankens kapacitet, l/cm ³	1,0/1000
Vægt	
Vægt, uden brændstof, kg	10,0
Støjemissioner ¹³	
Lydeffektniveau, målt dB (A)	110
Lydeffektniveau, garanteret L _{WA} dB (A)	113
Lydniveauer ¹⁴	
Ækvivalent lydtryksniveau ved brugerens øre, målt i henhold til EN15503 dB(A):	
Udstyret med blæsermundstykke (originalt)	101
Vibrationsniveauer ¹⁵	
Ækvivalente vibrationsniveauer (a _{hV,eq}) i håndtagene målt i henhold til EN ISO 15503, m/s ²	6,1
Blæserydelse	
Maks. lufthastighed med turbo-mundstykke, m/s	98,3
Luftgennemstrømning uden turbo-mundstykke, m ³ /min	13,9

¹³ Emission af støj til omgivelserne målt som lydeffekt (L_{WA}) i henhold til EF-direktiv 2000/14/EF. Rapporteret lydeffektniveau for maskinen er målt med det originale skæreudstyr, der giver det højeste niveau. Forskellen mellem garanteret og målt lydeffekt er, at den garanterede lydeffekt også omfatter spredning i måleresultatet og variationerne mellem forskellige maskiner af samme model i henhold til direktivet 2000/14/EF.

¹⁴ Rapporterede data for lydtrykniveau har en typisk statistisk spredning (standardafvigelse) på 3,0 dB (A).

¹⁵ Rapporterede data for vibrationsniveau har en typisk statistisk spredning (standardafvigelse) på 1,5 m/s².

EU-overensstemmelseserklæring

EU-overensstemmelseserklæring

Vi, Husqvarna AB, SE 561 82 Husqvarna, SVERIGE, erklærer under eget ansvar, at det repræsenterede produkt:

Beskrivelse	Benzindrevet blæser/blæser-suger
Varemærke	Husqvarna
Platform / type / model	PlatformBP152HV, repræsenterer model 345BT.
Batch	Serienumre fra 2022 og fremefter.

overholder følgende EU-direktiver og bestemmelser:

Direktiv/bestemmelser	Beskrivelse
2006/42/EC	"vedrørende maskiner"
2014/30/EU	"vedrørende elektromagnetisk kompatibilitet"
2000/14/EF	"vedrørende udendørs støj"
2011/65/EU	"begrænsning af anvendelsen af visse farlige stoffer"

Harmoniserede standarder og/eller tekniske specifikationer anvendt er følgende: EN ISO 12100:2010, EN 15503:2009+A2, CISPR 12:2007, EN ISO 14982:2009, EN IEC 63000:2018, EN IEC 63000:2018

I overensstemmelse med direktiv 2000/14/EF, bilag V, er de erklærede lydverdier angivet i afsnittet om tekniske data i denne manual.

TÜV Rheinland har udført en frivillig afprøvning på vegne af Husqvarna AB, opnåelse med opnåelse af

overensstemmelsesattest AM 50391742 iht. Rådets maskindirektiv 2006/42/EF.

Attesten gælder for alle produktionssteder og oprindelseslande, som angivet på produktet.

Den leverede løvblæser/løvblæser-suger stemmer overens med det eksemplar, der har gennemgået typegodkendelsen.

På vegne af Husqvarna AB, SE-561 82 Husqvarna, SVERIGE,



Pär Martinsson

Ansvarlig for teknisk dokumentation



Inhalt

Einleitung.....	68	Fehlerbehebung.....	77
Sicherheit.....	69	Transport und Lagerung.....	78
Montage.....	72	Technische Daten.....	79
Betrieb.....	72	EU-Konformitätserklärung.....	80
Wartung.....	75		

Einleitung

Gerätebeschreibung

Bei diesem Gerät handelt es sich um ein rückentragbares Laubbläsergerät mit einem Verbrennungsmotor.

Wir arbeiten ständig an der Weiterentwicklung unserer Geräte und behalten uns daher das Recht auf

Änderungen ohne vorherige Ankündigung, z. B. von Form und Aussehen, vor.

Verwendungszweck

Verwenden Sie das Gerät, um Blätter und anderes unerwünschtes Material von Bereichen wie Rasen, Wegen oder Asphaltstraßen zu blasen.

Geräteübersicht

(Abb. 1)

1. Gassteuerungshebel
2. Rahmen
3. Tragegurt
4. Motorabdeckung
5. Gebläseabdeckung
6. Lufteinlassgitter
7. Luftfilter
8. Startseilgriff
9. Kraftstofftank
10. Hüftgurt
11. Zündkerze
12. Antivibrationssystem
13. Choke-Hebel
14. Steuergriff
15. Stopp-Schalter mit Gashebel
16. Gashebel
17. Rohrwinkel
18. Klemme
19. Flexibler Schlauch
20. Steuerrohr
21. Kabelklemme
22. Zwischenrohr
23. Ausblasöffnung
24. Bedienungsanleitung
25. Kombischlüssel
26. Kraftstoffpumpenblase
27. Hochgeschwindigkeits-Blasdüse
28. Stellschraube für Leerlaufdrehzahl
29. Gebläse
30. Fußplatte

Symbole auf dem Gerät

- (Abb. 2) **WARNUNG!** Dieses Gerät kann gefährlich sein und schwere oder tödliche Verletzungen des Bedieners oder anderer Personen verursachen. Gehen Sie vorsichtig vor und verwenden Sie das Gerät ordnungsgemäß.
- (Abb. 3) Lesen Sie die Bedienungsanleitung sorgfältig durch, und machen Sie sich vor der Verwendung des Geräts mit ihrem Inhalt vertraut.
- (Abb. 4) Tragen Sie einen geprüften Gehör- und Augenschutz. Tragen Sie eine Atemschutzmaske, falls es in der Umgebung zu Staubeentwicklung kommt.
- (Abb. 5) Verwenden Sie zugelassene Schutzhandschuhe während des Betriebs und der Wartung. Tragen Sie Schutzstiefel oder Schuhe mit rutschfester Sohle. Tragen Sie strapazierfähige Kleidung ohne kurze Hosen oder kurze Ärmel.
- (Abb. 6) Achten Sie darauf, langes Haar über den Schultern zusammenzubinden.
- (Abb. 7) Tragen Sie während des Betriebs keinen Schmuck oder weite Kleidung.
- (Abb. 8) Mischung aus Benzin und Zweitaktöl.
- (Abb. 9) Kraftstoffpumpenblase.
-

(Abb. 10) Kommen Sie nicht mit heißen Oberflächen in Berührung.

(Abb. 11) Kommen Sie dem sich drehenden Lüfterrad nicht zu nahe.

(Abb. 12) Choke, geöffnete Stellung.

(Abb. 13) Choke, geschlossene Stellung.

(Abb. 14) Stellschraube für Leerlaufdrehzahl.

(Abb. 15) Dieses Gerät entspricht den geltenden EG-Richtlinien.

(Abb. 16) Dieses Gerät entspricht den geltenden UK-Richtlinien.

(Abb. 17) Umweltbelastende Geräuschemissionen gemäß der entsprechenden EG-Richtlinie 2000/14/EG und der australischen „Protection of the Environment Operations (Noise Control) Regulation 2017“ (Umweltschutz-/Lärmschutzbestimmung) von New South Wales. Daten zu Geräuschemissionen sind auf dem Geräteschild und im Abschnitt „Technische Daten“ angegeben.

Achten Sie auf weggeschleuderte Gegenstände. Weggeschleuderte Gegenstände können schwere Verletzungen verursachen. Tragen Sie eine persönliche Schutzausrüstung.

(Abb. 18)

(Abb. 19)

Halten Sie einen Sicherheitsabstand von mindestens 15 m zu Personen oder Tieren ein.

Auf dem Typenschild oder der Lasergravur ist die Seriennummer angegeben. **yyyy** ist das Produktionsjahr, und **ww** steht für die Produktionswoche.

yyyywwxxxx

Hinweis: Weitere Symbole/Aufkleber auf dem Gerät beziehen sich auf die Zertifizierungsanforderungen für andere kommerzielle Bereiche.

Produkthaftung

Im Sinne der Produkthaftungsgesetze übernehmen wir keine Haftung für Schäden, die unser Gerät verursacht, wenn...

- das Gerät nicht ordnungsgemäß repariert wird.
- das Gerät mit Teilen repariert wird, die nicht vom Hersteller stammen oder nicht vom Hersteller zugelassen sind.
- ein Zubehörteil mit dem Gerät verwendet wird, das nicht vom Hersteller stammt oder nicht vom Hersteller zugelassen ist.
- das Gerät nicht bei einem zugelassenen Service Center oder von einem zugelassenen Fachmann repariert wird.

Sicherheit

Sicherheitsdefinitionen

Die nachstehenden Definitionen geben den Schweregrad für jedes Signalwort an.



WARNUNG: Personenschäden.



ACHTUNG: Schäden am Gerät.

Hinweis: Diese Informationen erleichtern die Verwendung des Geräts.

Allgemeine Sicherheitshinweise



WARNUNG: Lesen Sie die folgenden Warnhinweise, bevor Sie das Gerät verwenden.

- Nehmen Sie ohne die Zustimmung des Herstellers keine Änderung an dem Gerät vor und verwenden Sie stets Originalzubehör. Änderungen und/oder Zubehörteile, die nicht genehmigt sind, können zu schweren oder sogar tödlichen Verletzungen des Bedieners oder anderer Personen führen.
- Verwenden Sie das Gerät nicht, wenn es beschädigt ist. Führen Sie alle Sicherheitskontrollen und Wartungsarbeiten gemäß dieser Bedienungsanleitung durch. Alle anderen Wartungsarbeiten müssen von autorisiertem Wartungspersonal durchgeführt werden.

- Alle Wartungs- und Reparaturarbeiten müssen von autorisiertem Wartungspersonal durchgeführt werden. Wenden Sie sich an Ihren Servicehändler, falls ein Teil des Geräts defekt ist.

Vibrationen Sicherheit

Dieses Produkt ist nur für den gelegentlichen Einsatz gedacht. Der kontinuierliche oder regelmäßige Betrieb des Geräts kann „Weißfingerkrankheit“ oder entsprechende gesundheitliche Probleme durch Vibrationen verursachen. Untersuchen Sie den Zustand Ihrer Hände und Finger, wenn Sie das Gerät dauerhaft oder in regelmäßigen Abständen bedienen. Wenn Ihre Hände oder Finger Verfärbungen aufweisen, diese sich taub anfühlen oder Sie Schmerzen oder Kribbeln spüren, unterbrechen Sie die Arbeit, und suchen Sie sofort einen Arzt auf.

Sicherheitshinweise für den Betrieb



WARNUNG: Lesen Sie die folgenden Warnhinweise, bevor Sie das Gerät verwenden.

- Dieses Gerät kann gefährlich sein und schwere oder tödliche Verletzungen des Bedieners oder anderer Personen verursachen. Gehen Sie vorsichtig vor, und verwenden Sie das Gerät ordnungsgemäß.
- Überprüfen Sie das Gerät vor dem Gebrauch. Siehe *Wartung auf Seite 75*.
- Arbeiten Sie nicht mit dem Gerät, wenn Sie müde oder krank sind oder unter Einfluss von Alkohol, Drogen oder Medikamenten stehen, die Ihre Sehkraft, Ihr Urteils- oder Koordinationsvermögen beeinträchtigen können.
- Montieren Sie vor der Benutzung alle Abdeckungen und Schutzvorrichtungen. Stellen Sie sicher, dass der Zündkerzenstecker und das Zündkabel nicht beschädigt sind, um Stromschläge zu vermeiden.
- Berühren Sie niemals die Zündkerze oder das Zündkabel bei laufendem Motor.
- Halten Sie einen Sicherheitsabstand von mindestens 15 m zu Personen oder Tieren ein. Falls Personen, Kinder oder Tiere näher als 15 m kommen, schalten Sie das Gerät aus. Richten Sie das Gerät nicht auf Personen, Tiere, offene Fenster und andere Gegenstände.
- Lassen Sie Kinder das Gerät nicht bedienen. Stellen Sie sicher, dass alle Bediener den Inhalt dieser Bedienungsanleitung lesen und verstehen.
- Halten Sie Hände oder andere Gegenstände während des Betriebs vom Gehäuse des Laubblasgeräts fern. Rotierende Teile können schwere Verletzungen verursachen.
- Verwenden Sie das Gerät nicht, wenn das Lufteinlassgitter nicht montiert ist. Stellen Sie vor der Verwendung immer sicher, dass das Lufteinlassgitter montiert und nicht beschädigt ist.

- Lösen Sie im Notfall den Hüftgurt und den Brustgurt des Tragegurts und lassen Sie das Gerät auf den Boden fallen.
- Beachten Sie die nationalen Bestimmungen und Vorschriften.
- Kommen Sie nicht mit heißen Oberflächen in Berührung.
- Zu viele Vibrationen können Schäden am Blutkreislauf oder am Nervensystem verursachen. Sprechen Sie mit Ihrem Arzt, wenn Sie Symptome erkennen, zum Beispiel Einschlafen von Körperteilen, Gefühlsverlust, Jucken, Stechen, Schmerzen, Verlust der normalen Körperkraft oder Veränderungen der Hautfarbe an Ihren Fingern, Händen oder Handgelenken.
- Achten Sie auf weggeschleuderte Gegenstände. Weggeschleuderte Gegenstände können schwere Verletzungen verursachen.
- Vermeiden Sie es, das Gerät bei schlechtem Wetter zu benutzen, beispielsweise bei Nebel, Regen, starkem Wind oder bei großer Kälte. Arbeiten bei schlechtem Wetter kann zu Ermüdung und zu gefährlichen Situationen führen.
- Stellen Sie sicher, dass Sie sich beim Arbeiten bewegen und stabil stehen können. Kontrollieren Sie den Arbeitsbereich auf mögliche Hindernisse, zum Beispiel Steine. Seien Sie vorsichtig, wenn Sie das Gerät an einem Hang einsetzen.
- Setzen Sie das Gerät bei eingeschaltetem Motor nicht auf dem Boden ab.
- Arbeiten Sie mit dem Gerät nicht von erhöhten Positionen aus, zum Beispiel auf einer Leiter.
- Stellen Sie sicher, dass man Sie immer hört, falls es zu einem Unfall kommt.
- Stellen Sie sicher, dass der Auspuff nicht blockiert ist. Um Schäden am Gerät zu vermeiden, achten Sie darauf, dass Hindernisse mindestens 50 cm vom Auspuff entfernt sind.
- Starten Sie das Gerät nicht im Innenbereich, bei schlechter Belüftung oder in der Nähe von feuergefährlichen Stoffen. Die Motorabgase enthalten Kohlenmonoxid, das eine Kohlenmonoxidvergiftung verursachen kann. Die Abgase sind heiß und können Funken enthalten, die einen Brand verursachen können.

Persönliche Schutzausrüstung



WARNUNG: Lesen Sie die folgenden Warnhinweise, bevor Sie das Gerät benutzen.

- Verwenden Sie die vorgeschriebene persönliche Schutzausrüstung bei der Benutzung des Geräts. Durch Tragen persönlicher Schutzausrüstung können Verletzungen nicht vollständig ausgeschlossen werden, aber im Ernstfall kann so die Verletzungsschwere reduziert werden. Ihr Händler steht Ihnen gern für weitere Informationen zur Verfügung.

- Tragen Sie einen zugelassenen Gehörschutz. Eine längerfristige Lärmeinwirkung kann zu bleibenden Gehörschäden führen.
- Tragen Sie einen zugelassenen Augenschutz. Bei der Benutzung eines Visiers ist außerdem eine zugelassene Schutzbrille zu tragen. Zugelassene Schutzbrillen müssen die Normen ANSI Z87.1 für die USA bzw. EN 166 für EU-Länder erfüllen.
- Verwenden Sie Schutzhandschuhe während des Betriebs und der Wartung.
- Tragen Sie Schutzstiefel oder Schuhe mit rutschfester Sohle.
- Tragen Sie strapazierfähige Kleidung ohne kurze Hosen oder kurze Ärmel. Tragen Sie keinen Schmuck oder offene Schuhe. Um die Verletzungsgefahr zu senken, muss Ihre Kleidung eng sitzen, darf aber Ihre Bewegungen nicht einschränken. Binden Sie Ihre Haare zusammen, sodass sie nicht über Ihre Schultern fallen, um zu verhindern, dass sich Ihre Haare in rotierenden Teilen oder in Zweigen verfangen.
- Verwenden Sie bei Staubgefahr einen Atemschutz.
- Eine Erste-Hilfe-Ausrüstung sollte stets griffbereit sein.

Sicherheitsvorrichtungen am Gerät



WARNUNG: Lesen Sie die folgenden Warnhinweise, bevor Sie das Gerät benutzen.

- Benutzen Sie kein Gerät mit defekten Sicherheitsvorrichtungen.
- Führen Sie regelmäßig eine Überprüfung der Sicherheitsvorrichtungen durch. Siehe *Wartung auf Seite 75*.
- Wenn die Sicherheitsvorrichtungen defekt sind, wenden Sie sich an Ihre Husqvarna-Servicewerkstatt.

So prüfen Sie den Schalldämpfer



WARNUNG: Verwenden Sie kein Gerät mit defektem Schalldämpfer.



WARNUNG: Der Schalldämpfer wird während und nach dem Betrieb – auch im Leerlauf – sehr heiß. Tragen Sie Schutzhandschuhe, um Verbrennungen zu vermeiden.



WARNUNG: Die Innenseite des Schalldämpfers enthält Chemikalien, die karzinogen sein können. Berühren Sie den Schalldämpfer nicht, wenn er beschädigt ist.

- Führen Sie regelmäßig eine Sichtprüfung des Schalldämpfers durch. Der Schalldämpfer senkt den Geräuschpegel so weit wie möglich und hält die Abgase des Motors vom Bediener fern. Siehe *So untersuchen und reinigen Sie das Kühlsystem auf Seite 76*.

So prüfen Sie das Antivibrationssystem

1. Kontrollieren Sie, dass die Antivibrationseinheiten keine Risse oder Deformationen aufweisen.
2. Kontrollieren Sie, ob die Antivibrationselemente zwischen Motoreinheit und Handgriffeinheit korrekt verankert sind.

Unter *Geräteübersicht auf Seite 68* finden Sie Informationen darüber, wo das Antivibrationssystem sich an Ihrem Gerät befindet.

So prüfen Sie den Start-/Stopp-Schalter

1. Drücken Sie den Start-/Stopp-Schalter, um den Motor abzustellen.
2. Vergewissern Sie sich, dass der Motor vollständig zum Stillstand gekommen ist.

Um herauszufinden, wo sich der Start-/Stopp-Schalter an Ihrem Gerät befindet, siehe *Geräteübersicht auf Seite 68*.

Tragegurt-Sicherheit

Verwenden Sie immer den Tragegurt, wenn Sie mit dem Gerät arbeiten. Wenn Sie den Tragegurt nicht verwenden, können Sie das Gerät nicht sicher bedienen. Damit setzen Sie sich selbst und andere einer Verletzungsgefahr aus. Stellen Sie sicher, dass Hüft- sowie Brustgurt geschlossen und korrekt eingestellt sind. Bei einem offenen Gurt besteht die Gefahr, dass dieser in das Gebläse des Geräts gesogen wird.

(Abb. 20)

Sicherer Umgang mit Kraftstoff



WARNUNG: Lesen Sie die folgenden Warnhinweise, bevor Sie das Gerät benutzen.

- Mischen Sie keinen Kraftstoff/betanken Sie das Gerät weder im Innenbereich noch in der Nähe einer Wärmequelle.
- Starten Sie den Motor nicht, wenn Sie Öl oder Kraftstoff auf das Gerät oder auf Ihren Körper verschüttet haben.
- Starten Sie das Gerät nicht, wenn Kraftstoff aus dem Motor austritt. Überprüfen Sie den Motor regelmäßig auf Kraftstoffundichtigkeiten.
- Gehen Sie mit Kraftstoff immer vorsichtig um. Kraftstoff ist entflammbar, und die Dämpfe sind explosiv und können zu Verletzungen oder sogar zum Tod führen.

- Atmen Sie die Kraftstoffdämpfe nicht ein, denn sie sind gesundheitsschädigend. Achten Sie auf ausreichende Belüftung.
- Rauchen Sie nicht in der Nähe des Kraftstoffs oder des Motors.
- Bringen Sie weder das Gerät noch einen Kraftstoffbehälter in Bereiche mit heißen Gegenständen, offener Flamme, Funkenbildung oder Zündflammen.
- Verwenden Sie für die Lagerung und den Transport von Kraftstoff immer zugelassene Behälter.
- Schalten Sie den Motor aus, schrauben Sie die Zündkerze heraus und lassen Sie den Motor vor der Wartung und Montage abkühlen.
- Ein schmutziger Funkenschutz führt zur Überhitzung des Motors, was Schäden am Motor zur Folge hat.
- Wenn das Funkenfängernetz häufig verstopft ist, kann dies ein Zeichen dafür sein, dass der Katalysator nicht einwandfrei arbeitet. Lassen Sie den Schalldämpfer von Ihrem Servicehändler kontrollieren.

Sicherheitshinweise für die Wartung



WARNUNG: Lesen Sie die folgenden Warnhinweise, bevor Sie das Gerät verwenden.

Montage

Einleitung



WARNUNG: Lesen Sie vor der Montage des Geräts das Kapitel über Sicherheit, und machen Sie sich damit vertraut.

So montieren Sie das Ausblasrohr und den Steuergriff am Gerät

Hinweis: Tragen Sie Schmiermittel auf die Rohre und den biegsamen Schlauch auf, damit sie sich leichter montieren lassen.

1. Befestigen Sie den biegsamen Schlauch (A) mit den Schellen (C) und (D) auf dem Rohrwinkel und dem Steuerrohr (B). (Abb. 21)

2. Befestigen Sie die Griffhalterung (E) am Steuerrohr. Richten Sie die Griffhalterung auf den Flansch am Steuerrohr aus. (Abb. 22)
3. Stellen Sie die Position des Steuergriffs auf eine sichere und korrekte Arbeitsstellung ein. Ziehen Sie den Drehknopf an.
4. Befestigen Sie das Kabel mit der Kabelklemme an dem biegsamen Schlauch. (Abb. 23)
5. Befestigen Sie das Zwischenrohr am Steuerrohr. (Abb. 24)
6. Befestigen Sie die Ausblasöffnung am Zwischenrohr.

Hinweis: Die Ausblasöffnung kann nur am Zwischenrohr angebracht werden.

7. Für eine höhere Luftgeschwindigkeit befestigen Sie die Hochgeschwindigkeits-Blasdüse an der Ausblasöffnung.

Betrieb

Einleitung



WARNUNG: Lesen Sie vor Gebrauch des Geräts das Kapitel über Sicherheit, und machen Sie sich damit vertraut.

Kraftstoff

Dieses Produkt verfügt über einen Zweitaktmotor.



ACHTUNG: Die Verwendung eines falschen Kraftstoffs kann zu einer Beschädigung des Motors führen. Verwenden Sie eine Mischung aus Benzin und Zweitaktöl.

Vorgemischter Kraftstoff

- Verwenden Sie Husqvarna vorgemischten Alkylatkraftstoff. Dies sorgt für die beste Leistung und eine Verlängerung der Lebensdauer des Motors. Im Vergleich zu herkömmlichem Kraftstoff enthält dieser Kraftstoff weniger gesundheitsschädliche Substanzen, wodurch der Ausstoß schädlicher Abgase verringert wird. Die Menge von Rückständen nach der Verbrennung ist bei diesem Kraftstoff niedriger. Dadurch bleiben die Bauteile des Motors sauberer.

So mischen Sie Kraftstoff vor

Benzin

- Verwenden Sie hochwertiges bleifreies Benzin mit maximal 10 % Ethanol (E10).



ACHTUNG: Verwenden Sie kein Benzin mit einer geringeren Oktanzahl als 90 RON (87 AKI). Bei Einsatz von Kraftstoff mit niedrigerer Oktanzahl kann es zu einem Klopfen im Motor kommen, das Motorschäden verursacht.

Zweitaktöl

- Verwenden Sie für beste Ergebnisse und die beste Leistung Husqvarna Zweitaktöl.
- Wenn Husqvarna Zweitaktöl nicht verfügbar ist, verwenden Sie ein qualitativ hochwertiges Zweitaktöl für luftgekühlte Motoren. Wenden Sie sich an Ihren Kundendienst zur Auswahl der richtigen Ölsorte.



ACHTUNG: Verwenden Sie kein Zweitaktöl für wassergekühlte Außenbordmotoren (auch Outboardoil genannt). Verwenden Sie kein Öl für Viertaktmotoren.

So mischen Sie Benzin und Zweitaktöl

Benzin, Liter	Zweitaktöl, Liter
	2 % (50:1)
5	0,10
10	0,20
15	0,30
20	0,40



ACHTUNG: Beim Mischen kleiner Kraftstoffmengen wirken sich auch kleine Abweichungen bei der Ölmenge stark auf das Mischungsverhältnis aus. Um das korrekte Mischungsverhältnis sicherzustellen, muss die beizumischende Ölmenge genau abgemessen werden.

(Abb. 25)

1. Füllen die Hälfte des Benzins in einen sauberen Kraftstoffbehälter.
2. Fügen Sie die gesamte Menge Öl hinzu.
3. Schütteln Sie die Kraftstoffmischung.
4. Geben Sie dann den Rest des Benzins in den Behälter dazu.

5. Schütteln Sie die Kraftstoffmischung sorgfältig.



ACHTUNG: Mischen Sie Kraftstoff höchstens für einen Monat im Voraus.

So füllen Sie den Kraftstofftank



WARNUNG: Befolgen Sie zu Ihrer eigenen Sicherheit das folgende Verfahren.

1. Stellen Sie den Motor ab, und lassen Sie den Motor abkühlen.
2. Säubern Sie den Bereich rund um den Tankdeckel. (Abb. 26)
3. Schütteln Sie den Behälter, und stellen Sie sicher, dass der Kraftstoff vollständig vermischt ist.
4. Entfernen Sie den Tankdeckel langsam, damit der Druck entweichen kann.
5. Füllen Sie den Kraftstofftank auf.



ACHTUNG: Stellen Sie sicher, dass der Kraftstofftank nicht zu viel Kraftstoff enthält. Der Kraftstoff dehnt sich beim Erwärmen aus.

6. Ziehen Sie den Kraftstofftankdeckel vorsichtig fest.
7. Reinigen Sie das Gerät und den umgebenden Bereich von verschüttetem Kraftstoff.
8. Bewegen Sie das Gerät vor dem Start mindestens 3 m (10 ft) aus dem Auftankbereich und von der Kraftstoff-Auftankquelle weg.

Hinweis: Um herauszufinden, wo sich der Kraftstofftank an Ihrem Gerät befindet, siehe *Geräteübersicht auf Seite 68*.

So starten Sie bei kaltem Motor



WARNUNG: Luft entweicht, wenn der Motor gestartet wird, selbst im Leerlauf. Achten Sie darauf, dass sich keine Personen zu nahe am Gebläse oder am Blasrohr befinden.

1. Wenn der Motor kalt ist, bringen Sie den Choke-Hebel (A) in die Stellung „Choke geschlossen“. Siehe *Symbole auf dem Gerät auf Seite 68*. (Abb. 27)
2. Drücken Sie die Kraftstoffpumpenblase (B) mindestens 10 Mal, bis sich die Kraftstoffpumpenblase mit Kraftstoff füllt. Es ist nicht erforderlich, die Kraftstoffpumpenblase vollständig zu füllen.

3. Bewegen Sie den Gashebel in die Stellung für einen schnellen Leerlauf. Richten Sie die Führungsmarkierungen am Gassteuerungshebel und am Steuergriff aus. (Abb. 28)
4. Stellen Sie das Gerät auf einer ebenen Oberfläche auf dem Boden ab.
5. Halten Sie das Gerät mit der linken Hand und setzen Sie Ihren Fuß auf die Fußplatte. (Abb. 29)
6. Ziehen Sie langsam mit der rechten Hand am Startseilhandgriff, bis Sie einen Widerstand spüren.

Hinweis: Ziehen Sie das Startseil nicht vollständig heraus, und lassen Sie den Startseilhandgriff nicht los.

7. Ziehen Sie schnell mit der rechten Hand am Startseilhandgriff, bis der Motor anspringt oder zu starten versucht; das Ganze maximal 6 Mal. Wenn der Motor anspringt, bewegen Sie den Choke-Hebel langsam in die offene Position, und fahren Sie mit Schritt 11 fort. Wenn der Motor nicht startet, fahren Sie mit Schritt 9 fort.
8. Bewegen Sie den Choke-Hebel bei Anspringen des Motors langsam in die offene Position.
9. Ziehen Sie mit Ihrer rechten Hand schnell am Startseilhandgriff, bis der Motor anspringt; das Ganze maximal 6 Mal.



Hinweis: Wenn der Motor nicht startet, wiederholen Sie die Startanweisungen aus Schritt 1.

10. Lassen Sie den Motor 30 Sekunden lang laufen.
11. Stellen Sie den Gashebel in die Leerlaufposition. (Abb. 30)
12. Drücken Sie zur Regulierung der Gebläsegeschwindigkeit den Gashebel. Siehe *So verwenden Sie den Gashebel auf Seite 74*.

So starten Sie einen warmen Motor

- Wenn die Umgebungstemperatur unter 32°C/90°F liegt, verwenden Sie dasselbe Startverfahren wie bei *So starten Sie bei kaltem Motor auf Seite 73*. Stellen Sie den Choke-Hebel jedoch nicht in die geschlossene Choke-Position.
- Wenn die Umgebungstemperatur über 32°C/90°F liegt, verwenden Sie dasselbe Startverfahren wie bei *So starten Sie bei kaltem Motor auf Seite 73*.

So verwenden Sie den Gashebel

- Um die Gebläsedrehzahl während des Betriebs zu erhöhen, halten Sie den Gashebel gedrückt, bis die richtige Drehzahl erreicht ist. (Abb. 31)
- Um die Gebläsedrehzahl während des Betriebs zu verringern, lassen Sie den Gashebel langsam los, bis die richtige Drehzahl erreicht ist.

So starten Sie den Motor, wenn der Kraftstoff zu heiß ist

Wenn das nicht Gerät startet, kann dies darauf zurückzuführen sein, dass der Kraftstoff zu heiß ist.

Hinweis: Verwenden Sie stets neuen Kraftstoff, und verringern Sie bei warmem Wetter die Betriebszeit.

1. Stellen Sie das Gerät an einem kühlen Ort ab, wo es keiner direkten Sonneneinstrahlung ausgesetzt ist.
2. Lassen Sie das Gerät mindestens 20 Minuten lang abkühlen.
3. Drücken Sie die Kraftstoffpumpenblase wiederholt 10-15 Sekunden.
4. Gehen Sie wie beim Starten eines kalten Motors vor. Siehe *So starten Sie bei kaltem Motor auf Seite 73*.

So bedienen Sie das Gerät

- Nehmen Sie das Gerät zu normalen Arbeitszeiten in Betrieb. Beachten Sie die örtlichen Vorschriften.
- Senken Sie die Geräteteile und wählen Sie die korrekte Drehzahl für Ihre Aufgabe. Stellen Sie den Gashebel auf eine möglichst niedrige Stellung, um nicht mehr Lärm und Staub als nötig zu verursachen.
- Halten Sie die Ausblasöffnung nahe am Boden.

Hinweis: Husqvarna empfiehlt, dass Sie die komplette Verlängerung der Ausblasöffnung verwenden.

- Achten Sie auf die Windrichtung und arbeiten Sie mit dem Gerät in Windrichtung.
- Verwenden Sie die entsprechenden Gartengeräte, um Material vom Boden zu entfernen.
- Verwenden Sie in staubigen Bereichen Sprühhilfen, um den Bereich zu befeuchten. Dadurch wird die Betriebszeit verkürzt.
- Bewahren Sie das Gerät nach der Verwendung vertikal auf.

So stoppen Sie das Gerät



ACHTUNG: Schalten Sie das Gerät nicht aus, wenn es mit Vollgas läuft.

1. Drücken Sie die Stopptaste. (Abb. 32)

Hinweis: Wenn sich das Gerät abschaltet, hören Sie ein Klopfgeräusch. Dies ist typisch und weist nicht auf ein defektes Gerät hin.

So stellen Sie den Tragegurt ein

1. Legen Sie den Tragegurt des Geräts an.
2. Legen Sie den Hüftgurt um Ihre Hüfte, und schließen Sie die Gurtschnalle für den Hüftgurt. (Abb. 33)

3. Ziehen Sie den Hüftgurt fest. (Abb. 34)
4. Schließen Sie die Gurtschnalle für den Brustriemen. (Abb. 35)
5. Passen Sie die Position des Brustriemens an. (Abb. 36)
6. Ziehen Sie den Brustriemen fest. (Abb. 37)
7. Ziehen Sie die Schulterriemen fest, bis das Gerät fest an Ihrem Körper anliegt. (Abb. 38)
8. Ziehen Sie die Lastenheberriemen fest. (Abb. 39)

Wartung

Einleitung

Sicherheit, und machen Sie sich damit vertraut.



WARNUNG: Lesen Sie vor dem Warten des Geräts das Kapitel über

Wartungsplan

Wartungsarbeit	Täglich	Wöchentlich	Monatlich
Außenflächen reinigen.	X		
Sicherstellen, dass der Steuergriff ordnungsgemäß funktioniert.	X		
Sicherstellen, dass der Start-/Stopp-Schalter ordnungsgemäß funktioniert. Siehe <i>So prüfen Sie den Start-/Stopp-Schalter auf Seite 71.</i>	X		
Motor, Kraftstofftank und Kraftstoffleitungen auf Undichtigkeiten überprüfen. Kraftstofffilter auf Verunreinigungen untersuchen. Kraftstofffilter bei Bedarf austauschen.	X		
Luftfilter reinigen. Luftfilter bei Bedarf austauschen.	X		
Muttern und Schrauben anziehen.	X		
Den Lufterlass untersuchen und sicherstellen, dass er nicht verstopft ist.	X		
Startvorrichtung und Startseil auf Beschädigungen überprüfen.		X	
Die Antivibrationseinheiten auf Beschädigungen, Risse und Verschleiß überprüfen. Sicherstellen, dass die Antivibrationseinheiten korrekt montiert sind.		X	
Zündkerze überprüfen. Siehe <i>So prüfen Sie die Zündkerze auf Seite 76.</i>		X	
Kühlsystem reinigen.		X	
Außenseite des Vergasers und den umliegenden Bereich reinigen.		X	
Kraftstofftank reinigen.			X
Alle Kabel und Anschlüsse überprüfen.			X
Das Funkenschutzgitter am Schalldämpfer untersuchen und reinigen (bei Geräten ohne Katalysator).		X	
Das Funkenschutzgitter am Schalldämpfer untersuchen und reinigen (bei Geräten mit Katalysator).			X
Zündkerze überprüfen. Ggf. ersetzen.			X

So stellen Sie die Leerlaufdrehzahl ein

1. Stellen Sie sicher, dass der Luftfilter sauber und der Luftfilterdeckel angebracht ist.
2. Stellen Sie die Leerlaufdrehzahl mit der Leerlaufeinstellschraube ein. Um herauszufinden, wo sich die Leerlaufeinstellschraube an Ihrem Gerät befindet, siehe *Geräteübersicht auf Seite 68.*

So prüfen Sie die Zündkerze



ACHTUNG: Verwenden Sie die empfohlene Zündkerze. Siehe *Technische Daten auf Seite 79*. Eine falsche Zündkerze kann zu Schäden am Gerät führen.

1. Stellen Sie den Motor ab, und lassen Sie das Gerät abkühlen.
2. Reinigen Sie die Zündkerze, wenn sie schmutzig ist.
3. Stellen Sie sicher, dass der Elektrodenabstand korrekt ist. Siehe *Technische Daten auf Seite 79*. (Abb. 40)
4. Ersetzen Sie die Zündkerze monatlich oder ggf. häufiger.

Wartung des Schalldämpfers



ACHTUNG: Wenn das Funkenfängernetz häufig verstopft ist, kann dies ein Zeichen dafür sein, dass der Katalysator nicht einwandfrei arbeitet. Lassen Sie den Schalldämpfer von Ihrem Servicehändler kontrollieren. Ein verstopftes Funkenfängernetz führt zu Überhitzung und verursacht Schäden an Zylinder und Kolben.



ACHTUNG: Weist das Funkenfängernetz Schäden auf, muss es ausgewechselt werden. Benutzen Sie das Produkt nicht ohne oder mit defektem Funkenfängernetz.

- Reinigen Sie den Funkschutz des Schalldämpfers. Verwenden Sie eine Drahtbürste. (Abb. 41)
- Lassen Sie den Schalldämpfer und das Funkenfängernetz nach 50 Betriebsstunden von einem Servicehändler ersetzen oder warten.

So untersuchen und reinigen Sie das Kühlsystem

Das Kühlsystem umfasst die Kühlrippen auf dem Zylinder und das Lufteinlassgitter.

1. Stoppen Sie den Motor.
2. Stellen Sie sicher, dass das Kühlsystem nicht verschmutzt oder verstopft ist. Falls notwendig, reinigen Sie das Lufteinlassgitter und die Kühlrippen.



ACHTUNG: Eine Verschmutzung oder Verstopfung des Kühlsystems kann zu einer Überhitzung des Motors führen, wodurch das Gerät beschädigt werden kann. Ein verstopftes Lufteinlassgitter senkt die Blaskraft.

3. Untersuchen Sie das Kühlsystem auf Beschädigungen. Stellen Sie sicher, dass alle Teile korrekt am Gerät befestigt sind.

So reinigen Sie den Luftfilter



ACHTUNG: Verwenden Sie das Gerät nicht ohne einen Luftfilter oder mit einem verschmutzten Luftfilter. Staub in der Luft kann zu einer Beschädigung des Motors führen.

1. Bewegen Sie den Choke-Hebel in die Stellung „geschlossen“.
 2. Nehmen Sie den Luftfilterdeckel (A) ab.
 3. Entfernen Sie den Vorfilter (B) vom Luftfilterdeckel. (Abb. 42)
 4. Entfernen Sie den Luftfilter (C) vom Filterrahmen.
 5. Reinigen Sie den Vorfilter und den Luftfilter mit warmem Wasser und Seife.
-

Hinweis: Ein Luftfilter, der über lange Zeit verwendet wurde, kann nicht vollständig gereinigt werden. Wechseln Sie den Luftfilter regelmäßig aus, und ersetzen Sie stets defekte Luftfilter.

6. Reinigen Sie die Innenseite des Luftfilterdeckels (A) mit einer Bürste.
7. Setzen Sie den Luftfilter in den Filterrahmen ein.
8. Bringen Sie den Vorfilter wieder am Luftfilterdeckel an.
9. Bringen Sie die Luftfilterabdeckung wieder am Gerät an.

Fehlerbehebung

Der Motor lässt sich nicht starten		
Prüfen	Mögliche Ursache	Lösung
Starterklinke(n).	Blockierte oder verschlissene Starterklinke(n).	Die Starterklinke/n einstellen oder austauschen.
		Den Bereich um die Starterklinke/n reinigen.
		Einen zugelassenen Servicehändler kontaktieren.
Kraftstofftank.	Falsche Kraftstoffsorte.	Den Kraftstofftank entleeren und mit dem richtigen Kraftstoff befüllen.
Vergaser.	Einstellung der Leerlaufdrehzahl.	Die Leerlaufdrehzahl mit der Leerlaufstellschraube einstellen.
Zündung (ohne Funken).	Die Zündkerze ist verschmutzt oder feucht.	Sicherstellen, dass die Zündkerze sauber und trocken ist.
	Elektrodenabstand an der Zündkerze ist nicht korrekt.	Die Zündkerze reinigen. Sicherstellen, dass der Elektrodenabstand korrekt ist.
		Der korrekte Elektrodenabstand ist in den technischen Daten angegeben.
Zündkerze.	Zündkerze sitzt lose.	Die Zündkerze festziehen.
	Auf den Elektroden der Zündkerze befinden sich unerwünschte Ablagerungen.	Sicherstellen, dass die Kraftstoffmischung korrekt ist. Vergewissern Sie sich, dass der Luftfilter sauber ist.

Der Motor startet, geht aber wieder aus		
Prüfen	Mögliche Ursache	Lösung
Kraftstofftank.	Falsche Kraftstoffsorte.	Entleeren Sie den Kraftstofftank und befüllen ihn mit dem richtigen Kraftstoff.
Vergaser.	Der Motor funktioniert im Leerlauf nicht ordnungsgemäß.	Den Servicehändler kontaktieren.
Luftfilter.	Verstopfter Luftfilter.	Den Luftfilter reinigen.

Transport und Lagerung

Transport und Lagerung



WARNUNG: Um Brandgefahr zu vermeiden, stellen Sie sicher, dass es während Transport oder Lagerung nicht zu Undichtigkeiten oder Abgasen kommt. Stellen Sie sicher, dass kein Funken- oder Brandrisiko besteht.

- Leeren Sie den Kraftstofftank, bevor Sie das Gerät transportieren oder für längere Zeit einlagern. Drücken Sie auf die Kraftstoffpumpenblase, um sicherzustellen, dass der gesamte Kraftstoff entfernt wurde. Entsorgen Sie den Kraftstoff in einer geeigneten Abfallentsorgungsstelle.
- Bevor das Gerät über längere Zeit gelagert wird, stellen Sie sicher, dass es sauber ist und eine umfassende Wartung durchgeführt wurde.
- Entfernen Sie die Zündkerze und geben Sie ca. 15 ml Zweitaktöl in den Zylinder. Drehen Sie den Motor des Geräts 3 Mal durch und bauen Sie die Zündkerze wieder ein.
- Befestigen Sie das Gerät während des Transports sicher am Fahrzeug.
- Lagern Sie das Gerät an einem trockenen, kühlen und sauberen Ort mit guter Belüftung. Achten Sie darauf, das Gerät von Kindern fernzuhalten.

Technische Daten

Technische Daten

Husqvarna 345BT (BP152HV)	
Motor	
Hubraum, cm ³	51,7
Leerlaufdrehzahl, U/min	2.800
Katalysator	Ja
Zündanlage	
Zündkerze	NGK BPMR7A/Champion RCJ6Y
Elektrodenabstand, mm	0,6-0,7
Anzugsmoment Zündkerze, Nm	25-30
Kraftstoff- und Schmiersystem	
Füllmenge Kraftstofftank, (l/cm ³)	1,0/1000
Gewicht	
Gewicht ohne Kraftstoff, kg	10,0
Geräuschemissionen ¹⁶	
Schallleistungspegel, gemessen dB (A)	110
Schallleistungspegel, garantiert L _{WA} dB (A)	113
Schallpegel ¹⁷	
Äquivalenter Schalldruckpegel am Ohr des Bedieners, gemessen gem. EN 15503, dB (A):	
Ausgestattet mit Ausblasöffnung (Original)	101
Vibrationspegel ¹⁸	
Äquivalente Vibrationspegel (a _{h_v,eq}) an den Griffen, gemessen nach EN 15503, m/s ²	6,1
Gebläseleistung	
Maximale Luftgeschwindigkeit mit Hochgeschwindigkeits-Blasdüse, m/s	98,3
Luftstrom ohne Hochgeschwindigkeits-Blasdüse, m ³ /min	13,9

¹⁶ Umweltbelastende Geräuschemissionen, gemessen als Schalleistung (L_{WA}) gemäß EG-Richtlinie 2000/14/EG. Der aufgezeichnete Schallleistungspegel für das Gerät wurde unter Verwendung der originalen Schneidausrüstung mit dem höchsten Pegel gemessen. Der Unterschied zwischen garantiertem und gemessenem Schallleistungspegel besteht darin, dass beim garantierten Schallleistungspegel auch eine Streuung im Messergebnis und Variationen zwischen verschiedenen Geräten desselben Modells gemäß der Richtlinie 2000/14/EG berücksichtigt werden.

¹⁷ Berichten zufolge liegt der Schalldruckpegel normalerweise bei einer Ausbreitungsklasse (standardmäßige Ausbreitung) von 3,0 dB (A).

¹⁸ Berichten zufolge liegt der Vibrationspegel normalerweise bei einer Ausbreitungsklasse (Standardabweichung) von 1,5 m/s².

EU-Konformitätserklärung

EG-Konformitätserklärung

Wir, Husqvarna AB, SE 561 82 Huskvarna, SCHWEDEN, erklären in alleiniger Verantwortung, dass das beschriebene Gerät:

Beschreibung	Benzin-Laubblasgerät/Laubsauger
Marke	Husqvarna
Plattform/Typ/Modell	Plattform BP152HV, Modell 345BT
Charge	Seriennummer ab Baujahr 2022

durch – Konformitätsbescheinigung nach EG-Richtlinie 2006/42/EG für Maschinen.

Wie auf dem Produkt angegeben, ist das Zertifikat für alle Produktionsstandorte und Ursprungsländer gültig.

Das gelieferte Benzin-Laubblasgerät/der Laubsauger entspricht dem Exemplar, das der EU-Typenprüfung unterzogen wurde.

Im Namen von Husqvarna AB, SE-561 82 Huskvarna, SCHWEDEN,



Pär Martinsson

Verantwortlich für die technische Dokumentation



die folgenden EU-Vorschriften und -Richtlinien erfüllt:

Richtlinie/Vorschrift	Beschreibung
2006/42/EG	„über Maschinen“
2014/30/EU	„über elektromagnetische Verträglichkeit“
2000/14/EG	„über umweltbelastende Geräuschemissionen“
2011/65/EU	„Beschränkung der Verwendung bestimmter gefährlicher Stoffe“

Es gelten folgende harmonisierten Normen und/oder technischen Spezifikationen: EN ISO 12100:2010, EN 15503:2009+A2, CISPR 12:2007, EN ISO 14982:2009, EN IEC 63000:2018, EN IEC 63000:2018

Die im Abschnitt „Technische Daten“ in dieser Betriebsanleitung angegebenen Schallwerte entsprechen der EU-Richtlinie 2000/14/EG, Anhang V.

Der TÜV Rheinland führte im Auftrag von Husqvarna AB eine freiwillige Typenprüfung gemäß AM 50391742

Περιεχόμενα

Εισαγωγή.....	81	Αντιμετώπιση προβλημάτων.....	90
Ασφάλεια.....	82	Μεταφορά και αποθήκευση.....	91
Συναρμολόγηση.....	85	Τεχνικά στοιχεία.....	92
Λειτουργία.....	85	Δήλωση Συμμόρφωσης ΕΚ.....	93
Συντήρηση.....	88		

Εισαγωγή

Περιγραφή προϊόντος

Το προϊόν είναι ένας επινώτιος φυσητήρας με κινητήρα καυσίμου.

Εφαρμόζουμε μια πολιτική συνεχούς ανάπτυξης προϊόντων και, συνεπώς, διατηρούμε το δικαίωμα να προβούμε σε τροποποιήσεις στο σχεδιασμό και την εμφάνιση των προϊόντων χωρίς προειδοποίηση.

Επισκόπηση προϊόντος

(Εικ. 1)

1. Μοχλός χειριστήριου γκαζιού
2. Πλαίσιο
3. Εξάρτηση
4. Κάλυμμα κινητήρα
5. Κάλυμμα ανεμιστήρα
6. Σήτα εισαγωγής αέρα
7. Φίλτρο αέρα
8. Λαβή κορδονιού συστήματος εκκίνησης
9. Ντεπόζιτο καυσίμου
10. Ζώνη μέσης
11. Μπουζί
12. Σύστημα απόσβεσης κραδασμών
13. Χειριστήριο τσοκ
14. Χειριστήριο ελέγχου
15. Διακόπτης τερματισμού λειτουργίας με χειριστήριο γκαζιού
16. Σκανδάλη γκαζιού
17. Γωνία σωλήνα
18. Σφικτήρας
19. Εύκαμπτος σωλήνας
20. Σωλήνας ελέγχου
21. Σφικτήρας καλωδίου
22. Ενδιάμεσος σωλήνας
23. Ακροφύσιο φυσητήρα
24. Εγχειρίδιο χρήσης
25. Γερμανοπολύγωνο κλειδί
26. Φούσκα πλήρωσης χειροκίνητης αντλίας καυσίμου (πουάρ)
27. Ακροφύσιο υψηλής ταχύτητας
28. Βίδα ρύθμισης ρελαντί
29. Ανεμιστήρας

Προβλεπόμενη χρήση

Χρησιμοποιήστε το προϊόν για να φυσηξέτε φύλλα και άλλα ανεπιθύμητα υλικά από περιοχές όπως εκτάσεις με γκαζόν, μονοπάτια και ασφαλτοστρωμένοι δρόμοι.

30. Πλάκα ποδιού

Σύμβολα στο προϊόν

- (Εικ. 2) ΠΡΟΕΙΔΟΠΟΙΗΣΗ! Αυτό το προϊόν μπορεί να είναι επικίνδυνο και να προκαλέσει σοβαρό τραυματισμό ή θάνατο του χειριστή ή άλλων ατόμων. Να είστε προσεκτικοί και να χρησιμοποιείτε το προϊόν σωστά.
- (Εικ. 3) Πρωτού χρησιμοποιήσετε το προϊόν, διαβάστε προσεκτικά το εγχειρίδιο χρήσης και βεβαιωθείτε ότι έχετε κατανοήσει τις οδηγίες.
- (Εικ. 4) Πρέπει να χρησιμοποιείτε προστατευτικά ακοής και εγκεκριμένα μέσα προστασίας των ματιών. Εάν το περιβάλλον περιέχει σκόνη, χρησιμοποιήστε μάσκα αναπνοής.
- (Εικ. 5) Χρησιμοποιείτε εγκεκριμένα προστατευτικά γάντια κατά τη λειτουργία και τη συντήρηση. Χρησιμοποιείτε μπότες προστασίας ή παπούτσια με αντιολισθητικές σόλες. Χρησιμοποιείτε ρούχα από ανθεκτικό ύφασμα που καλύπτουν όλο το σώμα.
- (Εικ. 6) Αν έχετε μακριά μαλλιά, φροντίστε να τα έχετε πιασμένα ψηλότερα από τους ώμους σας.
- (Εικ. 7) Μην φοράτε κοσμήματα ή φαρδιά ρούχα κατά τη διάρκεια της λειτουργίας.

(Εικ. 8) Μείγμα βενζίνης και λαδιού για δίχρονους κινητήρες.

(Εικ. 9) Φούσκα πλήρωσης χειροκίνητης αντλίας καυσίμου (πουάρ).

(Εικ. 10) Μην πλησιάζετε τα μέλη του σώματός σας σε καυτές επιφάνειες.

(Εικ. 11) Μην πλησιάζετε στη φτερωτή ενώ περιστρέφεται.

(Εικ. 12) Τσοκ, ανοιχτή θέση.

(Εικ. 13) Τσοκ, κλειστή θέση.

(Εικ. 14) Βίδα ρύθμισης ρελαντί.

(Εικ. 15) Αυτό το προϊόν συμμορφώνεται με τις ισχύουσες οδηγίες ΕΚ.

(Εικ. 16) Αυτό το προϊόν συμμορφώνεται με τις ισχύουσες οδηγίες του Η.Β.

(Εικ. 17) Εκπομπές θορύβου στο περιβάλλον σύμφωνα με την ευρωπαϊκή οδηγία 2000/14/ΕΚ και τη νομοθεσία της Νότιας Νέας Ουαλίας "Κανονισμός για την προστασία των περιβαλλοντικών δράσεων (έλεγχος θορύβου) του 2017". Τα στοιχεία για τις εκπομπές θορύβου βρίσκονται στην ετικέτα του μηχανήματος και στο κεφάλαιο "Τεχνικά στοιχεία".

(Εικ. 18) Προσέχετε τυχόν αντικείμενα που εκτοξεύονται. Τα αντικείμενα που εκτοξεύονται μπορούν να προκαλέσουν σοβαρό τραυματισμό. Πρέπει να χρησιμοποιείτε προσωπικό εξοπλισμό προστασίας.

(Εικ. 19)

yyyywwxxxx

Διατηρείτε απόσταση ασφαλείας τουλάχιστον 15 μέτρων από ανθρώπους ή ζώα.

Η πινακίδα στοιχείων ή το τυπωμένο μέρος με λείζερ δείχνει τον αριθμό σειράς. Το **yyyy** είναι το έτος παραγωγής και το **ww** είναι η εβδομάδα παραγωγής.

Περιεχόμενα Άλλα σύμβολα/σήματα που υπάρχουν στο προϊόν αναφέρονται σε απαιτήσεις πιστοποίησης για άλλους εμπορικούς τομείς.

Ευθύνη προϊόντος

Όπως αναφέρεται στη νομοθεσία περί ευθύνης για τα προϊόντα, δεν φέρουμε καμία ευθύνη για ζημιές που οφείλονται στο προϊόν μας εάν:

- Το προϊόν έχει επισκευαστεί λανθασμένα.
- Το προϊόν έχει επισκευαστεί με εξαρτήματα που δεν προέρχονται από τον κατασκευαστή ή που δεν έχουν εγκριθεί από τον κατασκευαστή.
- Το προϊόν διαθέτει ένα αξεσουάρ που δεν προέρχεται από τον κατασκευαστή ή που δεν έχει εγκριθεί από τον κατασκευαστή.
- Το προϊόν δεν έχει επισκευαστεί σε εγκεκριμένο κέντρο σέρβις ή από εγκεκριμένη αρχή.

Ασφάλεια

Ορισμοί για την ασφάλεια

Οι παρακάτω ορισμοί παρέχουν το βαθμό σοβαρότητας για κάθε προειδοποιητική λέξη.



ΠΡΟΕΙΔΟΠΟΙΗΣΗ: Τραυματισμός από μωμν.



ΠΡΟΣΟΧΗ: Ζημιά του προϊόντος.

Περιεχόμενα Αυτές οι πληροφορίες διευκολύνουν τη χρήση του προϊόντος.

Γενικές οδηγίες ασφαλείας



ΠΡΟΕΙΔΟΠΟΙΗΣΗ: Προτού χρησιμοποιήσετε το προϊόν, διαβάστε τις παρακάτω προειδοποιητικές οδηγίες.

- Μην πραγματοποιείτε αλλαγές στο προϊόν χωρίς την έγκριση του κατασκευαστή και χρησιμοποιείτε πάντα γνήσια αξεσουάρ. Οι τροποποιήσεις ή/και τα

μη εγκεκριμένα αξεσουάρ μπορεί να προκαλέσουν σοβαρό τραυματισμό ή θάνατο του χειριστή ή άλλων ατόμων.

- Δεν πρέπει να χρησιμοποιείτε το προϊόν αν έχει υποστεί ζημιά. Πραγματοποιείτε όλους τους ελέγχους ασφαλείας και τις εργασίες συντήρησης που αναφέρονται στο παρόν εγχειρίδιο χρήσης. Όλες οι άλλες εργασίες συντήρησης πρέπει να εκτελούνται από εγκεκριμένο προσωπικό σέρβις.
- Όλες οι εργασίες σέρβις και επισκευής πρέπει να γίνονται από εγκεκριμένο προσωπικό σέρβις. Εάν κάποιο εξάρτημα του προϊόντος είναι ελαττωματικό, απευθυνθείτε στον τοπικό αντιπρόσωπο σέρβις.

Ασφάλεια δόνησεων

Αυτό το προϊόν προορίζεται μόνο για περιστασιακή χρήση. Η συνεχής ή τακτική χρήση του προϊόντος μπορεί να προκαλέσει σύνδρομο "Ρεϊνό" ή αντίστοιχα προβλήματα υγείας λόγω των δόνησεων. Αν χρησιμοποιείτε το προϊόν συνεχώς ή τακτικά, να εξετάζετε συχνά την κατάσταση των χεριών και των δαχτύλων σας. Αν τα χέρια ή τα δάχτυλά σας έχουν αποχρωματιστεί ή αν παρατηρήσετε πόνο, τσιμπήματα ή μούδιασμα, σταματήστε τις εργασίες και απευθυνθείτε αμέσως σε έναν γιατρό.

Οδηγίες ασφαλείας για τη λειτουργία



ΠΡΟΕΙΔΟΠΟΙΗΣΗ: Προτού χρησιμοποιήσετε το προϊόν, διαβάστε τις παρακάτω προειδοποιητικές οδηγίες.

- Αυτό το προϊόν μπορεί να είναι επικίνδυνο και να προκαλέσει σοβαρό τραυματισμό ή θάνατο του χειριστή ή άλλων ατόμων. Να είστε προσεκτικοί και να χρησιμοποιείτε το προϊόν σωστά.
- Επιθεωρήστε το προϊόν προτού το χρησιμοποιήσετε. Ανατρέξτε στην ενότητα *Συντήρηση στη σελίδα 88*.
- Να μην χρησιμοποιείτε ποτέ το προϊόν εάν είστε κουρασμένοι, άρρωστοι ή υπό την επήρεια αλκοόλ ή άλλων φαρμάκων που μπορεί να μειώσουν την όραση, την κρίση ή το συντονισμό σας.
- Τοποθετήστε όλα τα καλύμματα και τα προστατευτικά πριν από τη χρήση. Για να αποφύγετε τον κίνδυνο ηλεκτροπληξίας, βεβαιωθείτε ότι το καπάκι του μπουζί και το καλώδιο ανάφλεξης ηλεκτρονικής δεν έχουν υποστεί ζημιά.
- Μην αγνίζετε το μπουζί ή το καλώδιο ανάφλεξης ηλεκτρονικής, όταν ο κινητήρας είναι σε λειτουργία.
- Διατηρείτε απόσταση ασφαλείας τουλάχιστον 15 μέτρων από ανθρώπους ή ζώα. Εάν άνθρωποι, παιδιά ή ζώα πλησιάσουν σε απόσταση μικρότερη από 15 μέτρα, σταματήστε το προϊόν. Στρέψτε το προϊόν μακριά από ανθρώπους, ζώα, ανοιχτά παράθυρα και άλλα αντικείμενα.
- Μην επιτρέπετε σε παιδιά να χρησιμοποιούν το προϊόν. Βεβαιωθείτε ότι όλοι οι χειριστές έχουν διαβάσει και κατανοήσει τα περιεχόμενα του παρόντος εγχειριδίου χρήσης.
- Κρατήστε τα χέρια σας ή άλλα αντικείμενα μακριά από το περιβάλλον του φυσιτήρα στη διάρκεια της λειτουργίας. Τα κινούμενα μέρη μπορούν να προκαλέσουν σοβαρό τραυματισμό.
- Μην χρησιμοποιείτε το προϊόν εάν δεν έχει τοποθετηθεί η σίτα εισαγωγής αέρα. Να βεβαιώνετε πάντα ότι η σίτα εισαγωγής αέρα έχει τοποθετηθεί και δεν έχει υποστεί ζημιά πριν από τη χρήση.
- Σε περίπτωση έκτακτης ανάγκης, απασφαλίστε τη ζώνη μέσης και τη ζώνη θώρακα της εξάρτησης και αφήστε το προϊόν να πέσει.
- Τηρείτε τους εθνικούς κανονισμούς και τις οδηγίες.
- Μην πλησιάζετε τα μέλη του σώματός σας σε καυτές επιφάνειες.
- Η υπερβολική δόνηση μπορεί να προκαλέσει βλάβη στην κυκλοφορία ή στο νευρικό σύστημα. Μιλήστε στο γιατρό σας αν έχετε συμπτώματα, όπως μούδιασμα, απώλεια αίσθησης, τσιμπήματα, σουβλιές, πόνο, απώλεια δύναμης ή αλλαγές στο χρώμα του δέρματος στα δάκτυλα, τα χέρια ή τους καρπούς σας.
- Προσέχετε τυχόν αντικείμενα που εκτοξεύονται. Τα αντικείμενα που εκτοξεύονται μπορούν να προκαλέσουν σοβαρό τραυματισμό.
- Μην χρησιμοποιείτε το προϊόν όταν επικρατούν άσχημες καιρικές συνθήκες, όπως, για παράδειγμα, ομίχλη, βροχή, ισχυροί άνεμοι και πολύ ψυχρό περιβάλλον. Η εκτέλεση εργασιών σε κακές καιρικές συνθήκες μπορεί να προκαλέσει κούραση και επικίνδυνες συνθήκες.
- Βεβαιωθείτε ότι μπορείτε να μετακινηθείτε και να διατηρήσετε σταθερή θέση. Ελέγξτε την περιοχή εργασίας για πιθανά εμπόδια, για παράδειγμα, πέτρες. Να είστε προσεκτικοί όταν χειρίζεστε το προϊόν σε πρανές.
- Μην τοποθετείτε το προϊόν στο έδαφος ενώ ο κινητήρας είναι σε λειτουργία.
- Μην χρησιμοποιείτε το προϊόν από υψηλές θέσεις, για παράδειγμα, πάνω σε σκάλα.
- Βεβαιωθείτε ότι μπορείτε πάντα να ακουστείτε σε περίπτωση ατυχήματος.
- Βεβαιωθείτε ότι η έξοδος των αναθυμιάσεων της εξάτμισης δεν είναι φραγμένη. Για να αποτρέψετε την πρόκληση ζημιάς στο προϊόν, διατηρείτε τα εμπόδια σε απόσταση τουλάχιστον 50 cm από την έξοδο των αναθυμιάσεων της εξάτμισης.
- Μην θέτετε το προϊόν σε λειτουργία σε εσωτερικό χώρο, σε χώρο με ανεπαρκή αερισμό ή κοντά σε εύφλεκτα υλικά. Οι αναθυμιάσεις από την εξάτμιση του κινητήρα περιέχουν μονοξείδιο του άνθρακα, το οποίο μπορεί να προκαλέσει δηλητηρίαση. Οι αναθυμιάσεις από την εξάτμιση του κινητήρα είναι καυτές και μπορεί να περιέχουν σπινθήρες που μπορούν να προκαλέσουν πυρκαγιά.

Προσωπικός εξοπλισμός προστασίας



ΠΡΟΕΙΔΟΠΟΙΗΣΗ: Προτού χρησιμοποιήσετε το προϊόν, διαβάστε τις παρακάτω προειδοποιητικές οδηγίες.

- Όταν χρησιμοποιείτε το προϊόν, πρέπει να φοράτε εγκεκριμένο προσωπικό εξοπλισμό προστασίας. Ο προσωπικός εξοπλισμός προστασίας δεν μπορεί να εξαλείψει πλήρως τον κίνδυνο τραυματισμών, ωστόσο μπορεί να μειώσει τη σοβαρότητά τους. Απευθυνθείτε στον αντιπρόσωπο για περισσότερες πληροφορίες.
- Χρησιμοποιείτε εγκεκριμένα προστατευτικά ακοής. Η μακροχρόνια έκθεση στο θόρυβο μπορεί να προκαλέσει μόνιμη βλάβη στην ακοή.
- Χρησιμοποιείτε εγκεκριμένη προστασία των ματιών. Εάν χρησιμοποιείτε προστατευτικό γέισο, πρέπει επίσης να χρησιμοποιείτε πάντα εγκεκριμένα προστατευτικά γυαλιά. Τα εγκεκριμένα προστατευτικά γυαλιά πρέπει να συμμορφώνονται με το πρότυπο ANSI Z87.1 στις Η.Π.Α. ή το πρότυπο EN 166 στις χώρες της Ε.Ε.
- Χρησιμοποιείτε προστατευτικά γάντια κατά τη λειτουργία και τη συντήρηση.
- Χρησιμοποιείτε μπότες προστασίας ή παπούτσια με αντιολισθητικές σόλες.
- Χρησιμοποιείτε ρούχα από ανθεκτικό ύφασμα που καλύπτουν όλο το σώμα. Μην χρησιμοποιείτε κοσμήματα ή ανοιχτά παπούτσια. Για να μειώσετε τον κίνδυνο τραυματισμού, τα ρούχα σας πρέπει να είναι εφαρμοστά, αλλά όχι να περιορίζουν τις κινήσεις σας. Τοποθετήστε τα μαλλιά σας πάνω από τους ώμους για να μην εισχωρήσουν σε κινούμενα μέρη ή πιαστούν σε κλαδιά.
- Χρησιμοποιείτε μέσα προστασίας αναπνοής όταν υπάρχει κίνδυνος σκόνης.
- Διατηρήστε κοντά τον εξοπλισμό πρώτων βοηθειών.

Συσκευές ασφαλείας στο προϊόν



ΠΡΟΕΙΔΟΠΟΙΗΣΗ: Προτού χρησιμοποιήσετε το προϊόν, διαβάστε τις παρακάτω προειδοποιητικές οδηγίες.

- Μην χρησιμοποιείτε ποτέ το προϊόν, αν υπάρχουν ελαττωματικές συσκευές ασφαλείας.
- Πρέπει να κάνετε τακτικά έλεγχο των συσκευών ασφαλείας. Ανατρέξτε στην ενότητα *Συντήρηση στη σελίδα 88*.
- Αν οι συσκευές ασφαλείας είναι ελαττωματικές, απευθυνθείτε στον αντιπρόσωπο σέρβις της Husqvarna.

Για τον έλεγχο της εξάτμισης (σιγαστήρα)



ΠΡΟΕΙΔΟΠΟΙΗΣΗ: Να μην χρησιμοποιείτε προϊόντα με ελαττωματική εξάτμιση (σιγαστήρα).



ΠΡΟΕΙΔΟΠΟΙΗΣΗ: Η εξάτμιση (σιγαστήρας) θερμαίνεται πολύ κατά τη διάρκεια και μετά τη λειτουργία, αλλά και κατά τη λειτουργία στο ρελαντί. Χρησιμοποιείτε προστατευτικά γάντια για να αποφύγετε τυχόν εγκαύματα.



ΠΡΟΕΙΔΟΠΟΙΗΣΗ: Η εσωτερική πλευρά της εξάτμισης (σιγαστήρας) περιέχει χημικά που μπορεί να είναι καρκινογόνα. Μην αγγίζετε την εξάτμιση (σιγαστήρας), εάν έχει υποστεί ζημιά.

- Κάνετε τακτικά οπτικό έλεγχο της εξάτμισης (σιγαστήρας) Η εξάτμιση (σιγαστήρας) διατηρεί τα επίπεδα θορύβου στο ελάχιστο και κατευθύνει τις αναθυμιάσεις μακριά από τον χειριστή. Ανατρέξτε στην ενότητα *Έλεγχος και καθαρισμός του συστήματος ψύξης στη σελίδα 89*.

Για τον έλεγχο του συστήματος απόσβεσης κραδασμών

1. Βεβαιωθείτε ότι δεν υπάρχουν ρωγμές ή παραμορφώσεις στις μονάδες απόσβεσης κραδασμών.
2. Βεβαιωθείτε ότι οι μονάδες απόσβεσης κραδασμών είναι σωστά στερεωμένες στη μονάδα του κινητήρα και στη μονάδα των λαβών.

Για πληροφορίες σχετικά με το σημείο στο οποίο βρίσκεται το σύστημα απόσβεσης κραδασμών στο δικό σας προϊόν, ανατρέξτε στην ενότητα *Επισκόπηση προϊόντος στη σελίδα 81*.

Έλεγχος του διακόπτη εκκίνησης/τερματισμού λειτουργίας

1. Χρησιμοποιήστε το διακόπτη εκκίνησης/τερματισμού λειτουργίας για να σβήσετε τον κινητήρα.
2. Βεβαιωθείτε ότι ο κινητήρας έχει σταματήσει εντελώς.

Για να δείτε πού βρίσκεται ο διακόπτης εκκίνησης/τερματισμού λειτουργίας στο προϊόν σας, ανατρέξτε στην ενότητα *Επισκόπηση προϊόντος στη σελίδα 81*.

Ασφάλεια εξάρτυσης

Χρησιμοποιείτε πάντα την εξάρτυση όταν χρησιμοποιείτε το προϊόν. Εάν δεν χρησιμοποιήσετε την εξάρτυση, δεν μπορείτε να χρησιμοποιήσετε το προϊόν με ασφάλεια. Αυτό μπορεί να προκαλέσει τραυματισμό σε εσάς ή σε άλλους. Βεβαιωθείτε ότι η ζώνη μέσης και ο μάντιος στέρου είναι τοποθετημένοι και σωστά ρυθμισμένοι. Μια ανοιχτή ζώνη μπορεί να περάσει στον ανεμιστήρα του μηχανήματος.

(Εικ. 20)

Ασφάλεια καυσίμου



ΠΡΟΕΙΔΟΠΟΙΗΣΗ: Προτού χρησιμοποιήσετε το προϊόν, διαβάστε τις παρακάτω προειδοποιητικές οδηγίες.

- Μην αναμειγνύετε ή προσθέτετε καύσιμο σε εσωτερικούς χώρους ή κοντά σε πηγή θερμότητας.
- Μην βάλετε μπροστά το προϊόν εάν χυθεί καύσιμο ή λάδι στο προϊόν ή στο σώμα σας.
- Μην θέσετε το προϊόν σε λειτουργία, εάν ο κινητήρας έχει διαρροή καυσίμου. Εξετάζετε τακτικά τον κινητήρα για διαρροές καυσίμου.
- Να είστε πάντα προσεκτικοί με το καύσιμο. Το καύσιμο είναι εύφλεκτο και οι αναθυμιάσεις του καυσίμου είναι εκρηκτικές και μπορούν να προκαλέσουν σοβαρό τραυματισμό ή θάνατο.
- Μην εισπνεύσετε τις αναθυμιάσεις καυσίμου, καθώς μπορεί να προκληθεί τραυματισμός. Βεβαιωθείτε ότι υπάρχει επαρκής ροή αέρα.
- Μην καπνίζετε κοντά στο καύσιμο ή τον κινητήρα.
- Μην τοποθετείτε το προϊόν ή ένα δοχείο καυσίμου κοντά σε ζεστά αντικείμενα, ακάλυπτες φλόγες, σπινθήρες ή φλόγιστρα.

- Να χρησιμοποιείτε πάντα εγκεκριμένα δοχεία για την αποθήκευση και τη μεταφορά των καυσίμων.

Οδηγίες ασφαλείας για τη συντήρηση



ΠΡΟΕΙΔΟΠΟΙΗΣΗ: Προτού χρησιμοποιήσετε το προϊόν, διαβάστε τις παρακάτω προειδοποιητικές οδηγίες.

- Σβήστε τον κινητήρα, αφαιρέστε το μπουζί και αφήστε τον κινητήρα να κρυώσει πριν από τη συντήρηση και τη συναρμολόγηση.
- Εάν η σίτα συγκράτησης των σπινθήρων είναι φραγμένη, ο κινητήρας μπορεί να υπερθερμανθεί και να προκληθεί ζημιά στον κινητήρα.
- Αν η σίτα συγκράτησης των σπινθήρων φράζει συχνά, αυτό μπορεί να αποτελεί ένδειξη ότι η απόδοση του καταλυτικού μετατροπέα έχει μειωθεί. Απευθυνθείτε στον αντιπρόσωπο σέρβις για τον έλεγχο της εξάτμισης (σιγαστήρα).

Συναρμολόγηση

Εισαγωγή



ΠΡΟΕΙΔΟΠΟΙΗΣΗ: Προτού συναρμολογήσετε το προϊόν, διαβάστε και κατανοήστε το κεφάλαιο για την ασφάλεια.

Συναρμολόγηση του σωλήνα του φυσητήρα και του χειριστηρίου ελέγχου στο προϊόν

Περιεχόμενα Λιπάνετε τους σωλήνες και τον εύκαμπο σωλήνα για να διευκολύνετε τη συναρμολόγηση.

1. Συνδέστε τον εύκαμπο σωλήνα (Α) στη γωνία του σωλήνα και το σωλήνα ελέγχου (Β) με τους σφιγκτήρες (C) και (D). (Εικ. 21)
2. Στερεώστε τη βάση του χειριστηρίου (Ε) στο σωλήνα ελέγχου. Ευθυγραμμίστε τη βάση του χειριστηρίου με τη φλάντζα του σωλήνα ελέγχου. (Εικ. 22)

3. Ρυθμίστε τη θέση του χειριστηρίου ελέγχου σε μια ασφαλή και σωστή θέση εργασίας. Σφίξτε τον μοχλό.
4. Στερεώστε το καλώδιο στον εύκαμπο σωλήνα με το σφιγκτήρα καλωδίου. (Εικ. 23)
5. Αγκιστρώστε τον ενδιάμεσο σωλήνα στο σωλήνα ελέγχου. (Εικ. 24)
6. Συνδέστε το ακροφύσιο του φυσητήρα στον ενδιάμεσο σωλήνα.

Περιεχόμενα Το ακροφύσιο του φυσητήρα μπορεί να τοποθετηθεί μόνο στον ενδιάμεσο σωλήνα.

7. Για υψηλότερη ταχύτητα αέρα, συνδέστε το ακροφύσιο υψηλής ταχύτητας στο ακροφύσιο του φυσητήρα.

Λειτουργία

Εισαγωγή



ΠΡΟΕΙΔΟΠΟΙΗΣΗ: Προτού χρησιμοποιήσετε το προϊόν, διαβάστε και κατανοήστε το κεφάλαιο για την ασφάλεια.

Καύσιμο

Αυτό το προϊόν διαθέτει δίχρονο κινητήρα.



ΠΡΟΣΟΧΗ: Τα καύσιμα εσφαλμένου τύπου μπορεί να προκαλέσουν ζημιά στον κινητήρα. Χρησιμοποιήστε μείγμα βενζίνης και λαδιού για δίχρονους κινητήρες.

10	0,20
15	0,30
20	0,40

Προαναμεμιγμένο καύσιμο

- Για βέλτιστη απόδοση και παράταση της διάρκειας ζωής του κινητήρα, χρησιμοποιήστε προαναμεμιγμένο αλκυλιωμένο καύσιμο της Husqvarna. Αυτό το καύσιμο περιέχει λιγότερα επιβλαβή χημικά σε σύγκριση με τα κανονικά καύσιμα, με αποτέλεσμα να μειώνονται οι επιβλαβείς αναθυμιάσεις της εξάτμισης. Η ποσότητα των καταλοίπων της καύσης είναι χαμηλότερη με αυτό το καύσιμο, το οποίο προστατεύει τα εξαρτήματα του κινητήρα και τα διατηρεί πιο καθαρά.

Ανάμιξη του καυσίμου

Βενζίνη

- Χρησιμοποιήστε αμόλυβδη βενζίνη καλής ποιότητας με μέγιστο ποσοστό αιθανόλης 10%.



ΠΡΟΣΟΧΗ: Μην χρησιμοποιείτε βενζίνη με αριθμό οκτανίων κάτω από 90 RON/87 AKI. Η χρήση βενζίνης χαμηλότερου αριθμού οκτανίων μπορεί να προκαλέσει κτύπο ("πειράκια") και ζημιά στον κινητήρα.

Λάδι για δίχρονους κινητήρες

- Για καλύτερα αποτελέσματα και υψηλότερη απόδοση, χρησιμοποιήστε λάδι Husqvarna για δίχρονους κινητήρες.
- Εάν το λάδι για δίχρονους κινητήρες της Husqvarna δεν είναι διαθέσιμο, χρησιμοποιήστε διαφορετικό λάδι καλής ποιότητας για αερόψυκτους κινητήρες. Για την επιλογή του σωστού λαδιού, απευθυνθείτε στον αντιπρόσωπο σέρβις.



ΠΡΟΣΟΧΗ: Μην χρησιμοποιείτε λάδι για δίχρονους υδρόψυκτους εξωλέμβιους κινητήρες, το οποίο αναφέρεται επίσης ως λάδι για εξωλέμβιες. Μην χρησιμοποιείτε λάδι για τετράχρονους κινητήρες.

Για να αναμίξετε βενζίνη και λάδι για δίχρονους κινητήρες

Βενζίνη, λίτρα	Λάδι για δίχρονους κινητήρες, λίτρα
	2% (50:1)
5	0,10



ΠΡΟΣΟΧΗ: Μικρά λάθη μπορεί να επηρεάσουν δραστικά την αναλογία του μείγματος κατά τη ανάμιξη μικρών ποσοτήτων καυσίμου. Μετρήστε προσεκτικά την ποσότητα του λαδιού και βεβαιωθείτε ότι το μείγμα που προκύπτει είναι σωστό.

(Εικ. 25)

1. Ρίξτε σε ένα καθαρό δοχείο για καύσιμα τη μισή ποσότητα της βενζίνης.
2. Προσθέστε ολόκληρη την ποσότητα λαδιού.
3. Ανακινήστε το μίγμα καυσίμου.
4. Προσθέστε στο δοχείο την υπόλοιπη ποσότητα της βενζίνης.
5. Ανακινήστε προσεκτικά το μείγμα καυσίμου.



ΠΡΟΣΟΧΗ: Μην αναμινύετε καύσιμα για περισσότερο από 1 μήνα κάθε φορά.

Γέμισμα ντεπόζιτου καυσίμου



ΠΡΟΕΙΔΟΠΟΙΗΣΗ: Ακολουθήστε την παρακάτω διαδικασία για την ασφάλειά σας.

1. Σταματήστε τον κινητήρα και αφήστε τον να κρυώσει.
2. Καθαρίστε την περιοχή γύρω από την τάπα του ντεπόζιτου καυσίμου. (Εικ. 26)
3. Ανακινήστε το δοχείο και βεβαιωθείτε ότι το καύσιμο έχει αναμιχθεί πλήρως.
4. Αφαιρέστε αργά την τάπα του ντεπόζιτου καυσίμου για να εκτονώσετε την πίεση.
5. Γεμίστε το ντεπόζιτο καυσίμου.



ΠΡΟΣΟΧΗ: Βεβαιωθείτε ότι δεν υπάρχει υπερβολικό καύσιμο στο ντεπόζιτο καυσίμου. Το καύσιμο διογκώνεται όταν ζεσταίνεται.

6. Σφίξτε προσεκτικά την τάπα του ντεπόζιτου καυσίμου.
7. Καθαρίζετε το καύσιμο που έχει χυθεί επάνω και γύρω από το προϊόν.
8. Προτού ξεκινήσετε, απομακρύνετε το προϊόν τουλάχιστον κατά 3 m/10 ft από το σημείο ανεφοδιασμού και την πηγή καυσίμου προτού θέσετε σε λειτουργία τον κινητήρα.

Περιεχόμενα Για να δείτε πού βρίσκεται το ντεπόζιτο καυσίμου στο προϊόν σας, ανατρέξτε στην ενότητα *Επισκόπηση προϊόντος στη σελίδα 81*.

Εκκίνηση με κρύο κινητήρα



ΠΡΟΕΙΔΟΠΟΙΗΣΗ: Ο αέρας αποδεδμεύεται μόλις ξεκινήσει ο κινητήρας, ακόμη και στο ρελαντί. Μην αφήνετε κανένα να στέκεται κοντά στον φυσητήρα ή τον σωλήνα του φυσητήρα.

1. Εάν ο κινητήρας είναι κρύος, τοποθετήστε το χειριστήριο του τσοκ (Α) στη θέση του κλειστού τσοκ. Ανατρέξτε στην ενότητα *Σύμβολα στο προϊόν στη σελίδα 81*. (Εικ. 27)
2. Πιέστε επανειλημμένα τη φούσκα της χειροκίνητης αντλίας καυσίμου (πουάρ) (Β) τουλάχιστον 10 φορές, και η φούσκα θα αρχίσει να γεμίζει με καύσιμο. Δεν χρειάζεται να γεμίσετε πλήρως τη φούσκα της χειροκίνητης αντλίας καυσίμου (πουάρ).
3. Τοποθετήστε το χειριστήριο του γκαζιού στη θέση γρήγορου ρελαντί. Ευθυγραμμίστε τα σημάρδια οδήγησης στον μοχλό χειριστηρίου γκαζιού και στη λαβή ελέγχου. (Εικ. 28)
4. Τοποθετήστε το προϊόν σε επίπεδη επιφάνεια στο έδαφος.
5. Κρατήστε το προϊόν με το αριστερό χέρι και τοποθετήστε το πόδι σας στην πλάκα ποδιού. (Εικ. 29)
6. Τραβήξτε αργά με το δεξιό χέρι τη λαβή του σχοινού του συστήματος εκκίνησης μέχρι να νιώσετε αντίσταση.

Περιεχόμενα Μην τραβήξετε τη λαβή του σχοινού εκκίνησης μέχρι τέρμα και μην αφήσετε τη λαβή του κορδονιού του συστήματος εκκίνησης.

7. Τραβήξτε γρήγορα τη λαβή του σχοινού του συστήματος εκκίνησης με το δεξιό χέρι, μέχρι να εκκινήσει ο κινητήρας ή να προσπαθήσει να εκκινήσει, έως και 6 φορές. Εάν ο κινητήρας τεθεί σε λειτουργία, μετακινήστε σταδιακά τον μοχλό του τσοκ στην ανοιχτή θέση και συνεχίστε με το βήμα 11. Εάν ο κινητήρας δεν εκκινήσει, συνεχίστε με το βήμα 9.
8. Όταν ο κινητήρας προσπαθεί να εκκινήσει, πιέστε σταδιακά τον μοχλό του τσοκ στην ανοιχτή θέση.
9. Τραβήξτε γρήγορα τη λαβή του σχοινού του συστήματος εκκίνησης με το δεξιό χέρι, μέχρι να εκκινήσει ο κινητήρας, έως και 6 φορές.



Περιεχόμενα Εάν ο κινητήρας δεν εκκινήσει, επαναλάβετε τις οδηγίες εκκίνησης από το βήμα 1.

10. Αφήστε τον κινητήρα να λειτουργήσει για 30 δευτερόλεπτα.

11. Τοποθετήστε το χειριστήριο γκαζιού στη θέση ρελαντί. (Εικ. 30)
12. Πατήστε τη σκανδάλη γκαζιού για να προσαρμόσετε την ταχύτητα του φυσητήρα. Ανατρέξτε στην ενότητα *Χρήση του χειριστηρίου γκαζιού στη σελίδα 87*.

Εκκίνηση με ζεστό κινητήρα

- Εάν η θερμοκρασία περιβάλλοντος είναι κάτω από 32°C / 90°F, χρησιμοποιήστε την ίδια διαδικασία εκκίνησης όπως στην ενότητα *Εκκίνηση με κρύο κινητήρα στη σελίδα 87*, αλλά χωρίς να θέσετε το χειριστήριο τσοκ στην κλειστή θέση τσοκ.
- Αν η θερμοκρασία περιβάλλοντος είναι πάνω από 32°C / 90°F, ακολουθήστε την ίδια διαδικασία εκκίνησης με την ενότητα *Εκκίνηση με κρύο κινητήρα στη σελίδα 87*.

Χρήση του χειριστηρίου γκαζιού

- Για να αυξήσετε την ταχύτητα του φυσητήρα κατά τη λειτουργία, πιέστε τη σκανδάλη γκαζιού μέχρι να επιτύχετε τη σωστή ταχύτητα. (Εικ. 31)
- Για να μειώσετε την ταχύτητα του φυσητήρα κατά τη διάρκεια της λειτουργίας, απελευθερώστε τη σκανδάλη γκαζιού μέχρι να επιτύχετε τη σωστή ταχύτητα.

Εκκίνηση του κινητήρα όταν το καύσιμο είναι υπερβολικά ζεστό

Εάν το προϊόν δεν ξεκινάει, το καύσιμο μπορεί να είναι υπερβολικά ζεστό.

Περιεχόμενα Να χρησιμοποιείτε πάντα νέα καύσιμα και μειώνετε το χρόνο λειτουργίας όταν ο καιρός είναι ζεστός.

1. Τοποθετήστε το προϊόν σε δροσερό χώρο μακριά από την ηλιακή ακτινοβολία.
2. Αφήστε το προϊόν να κρυώσει για 20 λεπτά τουλάχιστον.
3. Πιέστε επανειλημμένα τη φούσκα της χειροκίνητης αντλίας καυσίμου (πουάρ) για 10-15 δευτερόλεπτα.
4. Ακολουθήστε τη διαδικασία εκκίνησης με κρύο κινητήρα. Ανατρέξτε στην ενότητα *Εκκίνηση με κρύο κινητήρα στη σελίδα 87*.

Λειτουργία του προϊόντος

- Χρησιμοποιείτε το προϊόν σε συνήθεις ώρες εργασίας. Να τηρείτε τους τοπικούς κανονισμούς.
- Μειώστε τα τεμάχια του εξοπλισμού και επιλέξτε τη σωστή ταχύτητα για την εργασία σας. Χρησιμοποιήστε το γκάζι στη χαμηλότερη δυνατή θέση για να αποφύγετε την πρόκληση περισσότερου θορύβου και σκόνης από ό,τι χρειάζεται.
- Διατηρείτε το ακροφύσιο του φυσητήρα κοντά στο έδαφος.

Περιεχόμενα Η Husqvarna συνιστά να χρησιμοποιείτε την πλήρη προέκταση του ακροφυσίου του φυσητήρα.

- Σημειώστε την κατεύθυνση του ανέμου και χειριστείτε το προϊόν προς την κατεύθυνση του ανέμου.
- Χρησιμοποιείτε τα κατάλληλα εργαλεία κήπου για την απελευθέρωση υλικού από το έδαφος.
- Σε περιοχές με σκόνη, χρησιμοποιήστε εξοπλισμό ψεκασμού για να βρέξετε την περιοχή. Αυτό μειώνει το χρόνο λειτουργίας.
- Μετά τη λειτουργία, φυλάξτε το προϊόν σε κατακόρυφη θέση.

Διακοπή λειτουργίας του προϊόντος



ΠΡΟΣΟΧΗ: Μην σταματάτε το προϊόν σε πλήρη ταχύτητα.

1. Πατήστε το διακόπτη τερματισμού λειτουργίας. (Εικ. 32)

Περιεχόμενα Όταν το προϊόν σταματήσει, μπορείτε να ακούσετε έναν χτύπο. Αυτό είναι τυπικό και δεν αποτελεί ένδειξη ελαττωματικού προϊόντος.

Για να ρυθμίσετε την εξάρτωση

1. Φορέστε την εξάρτωση του προϊόντος.
2. Τοποθετήστε τη ζώνη μέσης γύρω από τη μέση σας και συνδέστε την αγκράφα της ζώνης για τον ιμάντα μέσης. (Εικ. 33)
3. Σφιξτε τον ιμάντα της ζώνης μέσης. (Εικ. 34)
4. Συνδέστε την αγκράφα της ζώνης για τον ιμάντα στέρνου. (Εικ. 35)
5. Ρυθμίστε τη θέση του ιμάντα στέρνου. (Εικ. 36)
6. Σφιξτε τον ιμάντα στέρνου. (Εικ. 37)
7. Σφιξτε τους ιμάντες ώμων μέχρι το προϊόν να ακουμπήσει σφιχτά στο σώμα σας. (Εικ. 38)
8. Σφιξτε τους ιμάντες ανυψωτή φορτίου. (Εικ. 39)

Συντήρηση

Εισαγωγή

διαβάστε και κατανοήστε το κεφάλαιο για την ασφάλεια.



ΠΡΟΕΙΔΟΠΟΙΗΣΗ: Προτού εκτελέσετε εργασίες συντήρησης στο προϊόν,

Πρόγραμμα συντήρησης

Συντήρηση	Καθημερινά	Κάθε εβδομάδα	Κάθε μήνα
Καθαρίστε τις εξωτερικές επιφάνειες.	X		
Βεβαιωθείτε ότι το χειριστήριο ελέγχου λειτουργεί σωστά.	X		
Βεβαιωθείτε ότι ο διακόπτης εκκίνησης/τερματισμού λειτουργίας λειτουργεί σωστά. Ανατρέξτε στην ενότητα <i>Έλεγχος του διακόπτη εκκίνησης/τερματισμού λειτουργίας στη σελίδα 84.</i>	X		
Εξετάστε τον κινητήρα, το ντεπόζιτο καυσίμου και τις γραμμές καυσίμου για διαρροές. Ελέγξτε το φίλτρο καυσίμου για ρύπους. Αντικαταστήστε το φίλτρο καυσίμου, αν χρειάζεται.	X		
Καθαρίστε το φίλτρο αέρα. Αντικαταστήστε το φίλτρο αέρα εάν χρειάζεται.	X		
Σφιξτε τα παξιμάδια και τις βίδες.	X		
Ελέγξτε την εισαγωγή αέρα και βεβαιωθείτε ότι δεν είναι φραγμένη.	X		
Εξετάστε τη μίζα και το κορδόνι της μίζας για ζημιές.		X	
Ελέγξτε τις μονάδες απόσβεσης κραδασμών για ζημιές, ρωγμές και παραμόρφωση. Βεβαιωθείτε ότι οι μονάδες απόσβεσης κραδασμών έχουν εγκατασταθεί σωστά.		X	

Συντήρηση	Καθημερινά	Κάθε εβδομάδα	Κάθε μήνα
Ελέγξτε το μπουζί. Ανατρέξτε στην ενότητα <i>Για να εκτελέσετε έλεγχο του μπουζί στη σελίδα 89.</i>		X	
Καθαρίστε το σύστημα ψύξης.		X	
Καθαρίστε την εξωτερική επιφάνεια του καρμπυρατέρ και το χώρο γύρω από αυτό.		X	
Καθαρίστε το ντεπόζιτο καυσίμου.			X
Εξετάστε όλα τα καλώδια και τις συνδέσεις.			X
Ελέγξτε και καθαρίστε τη σίτα συγκράτησης των σπινθήρων στην εξάτμιση (σιγαστήρας) (για προϊόντα χωρίς καταλυτικό μετατροπέα).		X	
Ελέγξτε και καθαρίστε τη σίτα συγκράτησης των σπινθήρων στην εξάτμιση (σιγαστήρας) (για προϊόντα με καταλυτικό μετατροπέα).			X
Ελέγξτε το μπουζί. Αν χρειάζεται, αντικαταστήστε το.			X

Για να ρυθμίσετε τις στροφές ανά λεπτό ρελαντί

- Βεβαιωθείτε ότι το φίλτρο αέρα είναι καθαρό και ότι το κάλυμμα του φίλτρου αέρα είναι συνδεδεμένο.
- Ρυθμίστε τις στροφές ανά λεπτό του ρελαντί με τη βίδα ρύθμισης στροφών ρελαντί. Για να δείτε πού βρίσκεται η βίδα στροφών ανά λεπτό ρελαντί, ανατρέξτε στην ενότητα *Επισκόπηση προϊόντος στη σελίδα 81.*

Για να εκτελέσετε έλεγχο του μπουζί



ΠΡΟΣΟΧΗ: Χρησιμοποιήστε το συνιστώμενο μπουζί. Ανατρέξτε στην ενότητα *Τεχνικά στοιχεία στη σελίδα 92.* Ένα ακατάλληλο μπουζί μπορεί να προκαλέσει ζημιά στο προϊόν.

- Σταματήστε τον κινητήρα και αφήστε το προϊόν να κρυώσει.
- Καθαρίστε το μπουζί, εάν είναι βρώμικο.
- Βεβαιωθείτε ότι το διάκενο ηλεκτροδίου είναι σωστό. Ανατρέξτε στην ενότητα *Τεχνικά στοιχεία στη σελίδα 92.* (Εικ. 40)
- Αντικαταστήστε το μπουζί κάθε μήνα ή συχνότερα, εάν χρειάζεται.

Συντήρηση της εξάτμισης (σιγαστήρας)



ΠΡΟΣΟΧΗ: Αν η σίτα συγκράτησης των σπινθήρων φράζει συχνά, αυτό μπορεί να αποτελεί ένδειξη ότι η απόδοση του καταλυτικού μετατροπέα έχει μειωθεί. Απευθυνθείτε στον αντιπρόσωπο σέρβις για τον έλεγχο της εξάτμισης (σιγαστήρα). Εάν η σίτα συγκράτησης των σπινθήρων

είναι φραγμένη, μπορεί να προκληθεί υπερθέρμανση και να υποστεί ζημιά ο κύλινδρος και το έμβολο.



ΠΡΟΣΟΧΗ: Αν η σίτα συγκράτησης των σπινθήρων έχει υποστεί ζημιά, πρέπει να αντικατασταθεί. Μην χρησιμοποιείτε το προϊόν, αν η σίτα συγκράτησης των σπινθήρων που βρίσκεται στην εξάτμιση (σιγαστήρας) λείπει ή είναι ελαττωματική.

- Καθαρίστε τη σίτα συγκράτησης των σπινθήρων στην εξάτμιση (σιγαστήρα). Χρησιμοποιήστε συρματοβουρτσα. (Εικ. 41)
- Απευθυνθείτε σε έναν αντιπρόσωπο σέρβις για την αντικατάσταση ή τη συντήρηση της εξάτμισης (σιγαστήρα) και της σίτας συγκράτησης των σπινθήρων μετά από 50 ώρες λειτουργίας.

Έλεγχος και καθαρισμός του συστήματος ψύξης

Το σύστημα ψύξης αποτελείται από τα πτερύγια φτερωτής (ανεμιστήρα) ψύξης στον κύλινδρο και τη σίτα εισαγωγής αέρα.

- Σβήστε τον κινητήρα.
- Βεβαιωθείτε ότι το σύστημα ψύξης δεν είναι βρώμικο ή φραγμένο. Εάν είναι απαραίτητο, καθαρίστε τη σίτα εισαγωγής αέρα και τα πτερύγια φτερωτής (ανεμιστήρα) ψύξης.



ΠΡΟΣΟΧΗ: Εάν το σύστημα ψύξης είναι βρώμικο ή φραγμένο, η θερμοκρασία του κινητήρα μπορεί να αυξηθεί και το προϊόν να υποστεί ζημιά. Εάν η σίτα εισαγωγής αέρα

είναι φραγμένη, μειώνεται η δύναμη φυσήματος.

3. Ελέγξτε το σύστημα ψύξης για ζημιές. Βεβαιωθείτε ότι τα μέρη έχουν στερεωθεί σωστά στο προϊόν.

Καθαρισμός του φίλτρου αέρα



ΠΡΟΣΟΧΗ: Μην χρησιμοποιήσετε το προϊόν εάν δεν έχει τοποθετηθεί φίλτρο αέρα ή εάν το φίλτρο αέρα έχει υποστεί ζημιά. Η σκόνη στον αέρα μπορεί να προκαλέσει ζημιά στον κινητήρα.

1. Μετακινήστε το χειριστήριο του τσοκ στην κλειστή θέση.
2. Αφαιρέστε το κάλυμμα του φίλτρου αέρα (Α).
3. Αφαιρέστε το προφίλτρο (Β) από το κάλυμμα του φίλτρου αέρα. (Εικ. 42)

4. Αφαιρέστε το φίλτρο αέρα (C) από το πλαίσιο φίλτρου.
5. Καθαρίστε το προφίλτρο και το φίλτρο αέρα με ζεστό νερό και σαπουνί.

Περιεχόμενα Εάν ένα φίλτρο αέρα χρησιμοποιείται για μεγάλο χρονικό διάστημα, δεν μπορεί να καθαριστεί εντελώς. Αντικαθιστάτε το φίλτρο αέρα τακτικά. Πρέπει πάντα να αντικαθιστάτε ένα ελαττωματικό φίλτρο αέρα.

6. Καθαρίστε την εσωτερική επιφάνεια του καλύμματος φίλτρου αέρα (Α) με βούρτσα.
7. Αφαιρέστε το φίλτρο αέρα από το πλαίσιο φίλτρου.
8. Τοποθετήστε το προφίλτρο στο κάλυμμα φίλτρου αέρα.
9. Τοποθετήστε το κάλυμμα του φίλτρου αέρα στο προϊόν.

Αντιμετώπιση προβλημάτων

Δεν είναι δυνατή η εκκίνηση του κινητήρα

Έλεγχος	Πιθανή αιτία	Λύση
Άγκιστρα εμπλοκής του συστήματος εκκίνησης με το βολάν.	Μπλοκαρισμένα ή φθαρμένα άγκιστρα εμπλοκής του συστήματος εκκίνησης με το βολάν.	Ρυθμίστε ή αντικαταστήστε το/τα άγκιστρο/α εμπλοκής του συστήματος εκκίνησης με το βολάν.
		Καθαρίστε την περιοχή γύρω το/τα άγκιστρο/α εμπλοκής του συστήματος εκκίνησης με το βολάν.
		Απευθυνθείτε σε έναν εγκεκριμένο αντιπρόσωπο σέρβις.
Ντεπόζιτο καυσίμου.	Λανθασμένος τύπος καυσίμου.	Αδειάστε το ντεπόζιτο καυσίμου και χρησιμοποιήστε το σωστό καύσιμο.
Καρμπυρατέρ.	Ρύθμιση στροφών ανά λεπτό ρελαντί.	Ρυθμίστε τις στροφές ανά λεπτό του ρελαντί με τη βίδα ρύθμισης των στροφών του ρελαντί.
Σπινθήρας (χωρίς σπινθήρα).	Ρύτιο ή υγρά στο μπουζί.	Βεβαιωθείτε ότι το μπουζί είναι στεγνό και καθαρό.
	Το διάκενο ηλεκτροδίου στο μπουζί είναι λανθασμένο.	Καθαρίστε το μπουζί. Βεβαιωθείτε ότι το διάκενο ηλεκτροδίου είναι σωστό. Ανατρέξτε στα τεχνικά στοιχεία για το σωστό διάκενο ηλεκτροδίου.

Δεν είναι δυνατή η εκκίνηση του κινητήρα		
Έλεγχος	Πιθανή αιτία	Λύση
Μπουζί.	Το μπουζί έχει χαλαρώσει.	Σφίξτε το μπουζί.
	Υπάρχει ανεπιθύμητο υλικό στα ηλεκτρόδια του μπουζί.	Βεβαιωθείτε ότι το μίγμα καυσίμου είναι σωστό.
		Βεβαιωθείτε ότι το φίλτρο αέρα είναι καθαρό.

Ο κινητήρας ξεκινάει αλλά σταματάει ξανά		
Έλεγχος	Πιθανή αιτία	Λύση
Ντεπόζιτο καυσίμου.	Λανθασμένος τύπος καυσίμου.	Αδειάστε το ντεπόζιτο καυσίμου και χρησιμοποιήστε το σωστό καύσιμο.
Καρμπυρατέρ.	Ο κινητήρας δεν λειτουργεί σωστά στο ρε-λαντί.	Απευθυνθείτε στον τοπικό αντιπρόσωπο σέρβις.
Φίλτρο αέρα.	Φραγμένο φίλτρο αέρα.	Καθαρίστε το φίλτρο αέρα.

Μεταφορά και αποθήκευση

Μεταφορά και αποθήκευση



ΠΡΟΕΙΔΟΠΟΙΗΣΗ: Για να αποτρέψετε τον κίνδυνο πυρκαγιάς, βεβαιωθείτε ότι δεν υπάρχουν διαρροές ή αναθυμιάσεις κατά τη μεταφορά ή την αποθήκευση. Βεβαιωθείτε ότι δεν υπάρχει κίνδυνος πρόκλησης σπινθήρων ή πυρκαγιάς.

- Αδειάζετε το ντεπόζιτο καυσίμου πριν από μεταφορά ή αποθήκευση για μεγάλο χρονικό διάστημα. Πιέστε τη φούσκα της χειροκίνητης αντλίας καυσίμου (πουάρ) για να βεβαιωθείτε ότι έχει αφαιρεθεί όλο το καύσιμο. Το καύσιμο πρέπει να απορρίπτεται σε κατάλληλη τοποθεσία απόρριψης.
- Βεβαιωθείτε ότι το προϊόν είναι καθαρό και ότι έχει συντηρηθεί πλήρως προτού το αποθηκεύσετε για μεγάλο χρονικό διάστημα.
- Αφαιρέστε το μπουζί και ρίξτε περίπου 15 ml λάδι για δίχρονους κινητήρες στον κύλινδρο. Γυρίστε το προϊόν 3 φορές και τοποθετήστε ξανά το μπουζί.
- Κατά τη μεταφορά, στερεώνετε καλά το προϊόν στο όχημα.

- Τοποθετήστε το προϊόν σε ξηρό, δροσερό και καθαρό χώρο με καλό αερισμό. Διατηρήστε το προϊόν μακριά από παιδιά.

Τεχνικά στοιχεία

Τεχνικά στοιχεία

	Husqvarna 345BT (BP152HV)
Ηλεκτροκινητήρας/κινητήρας	
Κυβισμός κυλίνδρου, cm ³	51,7
Στροφές ανά λεπτό στο ρελαντί, σ.α.λ.	2800
Καταλυτικός μετατροπέας	Ναι
Σύστημα ανάφλεξης	
Μπουζι	NGK BPMR7A/Champion RCJ6Y
Διάκενο ηλεκτροδίου, mm	0,6–0,7
Ροπή μπουζι, Nm	25–30
Σύστημα καυσίμου και λίπανσης	
Χωρητικότητα ντεπόζιτου καυσίμου, l/cm ³	1,0/1000
Βάρος	
Βάρος χωρίς καύσιμο, kg	10,0
Εκπομπές θορύβου ¹⁹	
Στάθμη ηχητικής ισχύος, μετρούμενη τιμή σε dB (A)	110
Στάθμη ηχητικής ισχύος, εγγυημένη L _{WA} dB (A)	113
Στάθμες θορύβου ²⁰	
Ισοδύναμη στάθμη ηχητικής πίεσης στα αφτιά του χειριστή, μετρημένη κατά EN15503 dB(A):	
Εξοπλισμένο με ακροφύσιο φυσητήρα (εργοστασιακό εξάρτημα)	101
Στάθμες κραδασμών ²¹	
Ισοδύναμες στάθμες κραδασμών (a _{hν,eq}) στις λαβές, μετρημένες κατά EN 15503, m/s ²	6.1
Απόδοση ανεμιστήρα	
Μέγιστη ταχύτητα αέρα με ακροφύσιο υψηλής ταχύτητας, m/s	98,3
Παροχή αέρα χωρίς ακροφύσιο υψηλής ταχύτητας, m ³ /min	13,9

¹⁹ Οι εκπομπές θορύβου στο περιβάλλον μετρούνται ως ηχητική ισχύς (L_{WA}) σε συμμόρφωση με την Οδηγία 2000/14/ΕΚ. Η καταγεγραμμένη στάθμη ηχητικής ισχύος για το μηχανήμα έχει μετρηθεί με το εργοστασιακό παρελκόμενο κοπής, που δίνει την υψηλότερη στάθμη. Η διαφορά μεταξύ της εγγυημένης και της μετρούμενης ηχητικής ισχύος είναι ότι η εγγυημένη ηχητική ισχύς περιλαμβάνει επίσης τη διασπορά στο αποτέλεσμα της μέτρησης και τις αποκλίσεις μεταξύ των διαφορετικών μηχανημάτων του ίδιου μοντέλου σύμφωνα με την Οδηγία 2000/14/ΕΚ.

²⁰ Τα καταγεγραμμένα στοιχεία για τη στάθμη πίεσης θορύβου έχουν τυπική στατιστική διασπορά (τυπική απόκλιση) 3,0 dB(A).

²¹ Τα καταγεγραμμένα στοιχεία για τη στάθμη κραδασμών έχουν τυπική στατιστική διασπορά (τυπική απόκλιση) της τάξης του 1,5 m/s².

Δήλωση Συμμόρφωσης ΕΚ

Δήλωση Συμμόρφωσης ΕΚ

Εμείς, η Husqvarna AB, SE 561 82 Huskvarna, Σουηδία, δηλώνουμε με αποκλειστική μας ευθύνη ότι το αποικονιζόμενο προϊόν:

Περιγραφή	Βενζινοκίνητος φυσητήρας/Φυσητήρας-αναρροφητήρας
Μάρκα	Husqvarna
Πλατφόρμα / Τύπος / Μοντέλο	ΠλατφόρμαBP152HV, για το μοντέλο 345BT.
Παρτίδα	Αριθμός σειράς με ημερομηνία 2022 και μεταγενέστερη.

συμμορφώνεται πλήρως με τις ακόλουθες οδηγίες και τους κανονισμούς της ΕΕ:

Οδηγία/Κανονισμός	Περιγραφή
2006/42/ΕΚ	"σχετικά με τα μηχανήματα"
2014/30/ΕΕ	"σχετικά με την ηλεκτρομαγνητική συμβατότητα"
2000/14/ΕΚ	"σχετικά με τον θόρυβο σε εξωτερικούς χώρους"
2011/65/ΕΕ	"περιορισμό της χρήσης ορισμένων επικίνδυνων ουσιών"

Τα εναρμονισμένα πρότυπα ή/και οι τεχνικές προδιαγραφές που εφαρμόζονται είναι τα εξής: EN ISO 12100:2010, EN 15503:2009+A2, CISPR 12:2007, EN ISO 14982:2009, EN IEC 63000:2018, EN IEC 63000:2018

Σύμφωνα με την οδηγία 2000/14/ΕΚ, Παράρτημα V, οι δηλωθείσες τιμές για τον ήχο αναφέρονται στην ενότητα τεχνικών στοιχείων αυτού του εγχειριδίου.

Η TÜV Rheinland διενήργησε εθελοντικά εξέταση για λογαριασμό της Husqvarna AB και εξέδωσε το υπ' αριθ. AM 50391742 - Πιστοποιητικό συμμόρφωσης

σύμφωνα με την Οδηγία του Συμβουλίου 2006/42/ΕΚ περί μηχανημάτων.

Το πιστοποιητικό ισχύει για όλες τις εγκαταστάσεις παραγωγής και τις χώρες προέλευσης, όπως αναφέρονται στο προϊόν.

Ο παρεχόμενος βενζινοκίνητος φυσητήρας / φυσητήρας-αναρροφητήρας συμμορφώνεται με το δείγμα που υποβλήθηκε σε εξέταση.

Εκ μέρους της Husqvarna AB, SE-561 82 Huskvarna, ΣΟΥΗΔΙΑ,



Pär Martinsson

Υπεύθυνος για την τεχνική τεκμηρίωση



Contenido

Introducción.....	94	Resolución de problemas.....	103
Seguridad.....	95	Transporte y almacenamiento.....	104
Montaje.....	98	Datos técnicos.....	105
Funcionamiento.....	98	Declaración de conformidad CE.....	106
Mantenimiento.....	101		

Introducción

Descripción del producto

Este producto es un soplador de mochila con motor de combustión.

Trabajamos constantemente para perfeccionar nuestros productos y nos reservamos, por lo tanto, el derecho a introducir modificaciones en la construcción y el diseño sin previo aviso.

Descripción del producto

(Fig. 1)

1. Palanca del acelerador
2. Bastidor
3. Arnés
4. Cubierta del motor
5. Cubierta del ventilador
6. Rejilla de la toma de aire
7. Filtro de aire
8. Empuñadura de la cuerda de arranque
9. Depósito de combustible
10. Cinturón
11. Bujía
12. Sistema amortiguador de vibraciones
13. Control del estrangulador
14. Mango de control
15. Interruptor de parada con acelerador
16. Gatillo del acelerador
17. Codo
18. Abrazadera
19. Manguera flexible
20. Tubo de manejo
21. Anclaje del cable
22. Tubo intermedio
23. Boquilla de soplado
24. Manual de usuario
25. Llave combinada
26. Perilla de la bomba de combustible
27. Boquilla de alta velocidad
28. Tornillo de ajuste del ralentí
29. Ventilador
30. Placa para el pie

Uso previsto

Utilice el producto para soplar hojas y otros materiales no deseados en zonas como césped, caminos y carreteras de asfalto.

Símbolos que aparecen en el producto

- (Fig. 2) ¡ADVERTENCIA! Este producto puede ser peligroso y ocasionar daños graves o mortales tanto al usuario como a cualquier otra persona. Tenga cuidado y utilice el producto correctamente.
- (Fig. 3) Lea detenidamente el manual de usuario y asegúrese de que entiende las instrucciones antes de usar la máquina.
- (Fig. 4) Utilice protectores auriculares homologados y protección ocular homologada. Si hay polvo en el ambiente, utilice una máscara protectora.
- (Fig. 5) Utilice guantes protectores homologados al usar el producto y al realizar trabajos de mantenimiento en él. Utilice botas o zapatos de protección con suela antideslizante. Utilice ropa de tejido resistente y larga.
- (Fig. 6) Si lleva el pelo largo, asegúrese de sujetárselo por encima de los hombros.
- (Fig. 7) No lleve joyas ni ropa holgada durante el uso.
- (Fig. 8) Mezcla de gasolina y aceite para motores de dos tiempos.
- (Fig. 9) Perilla de la bomba de combustible.

- (Fig. 10) Mantenga todas las partes del cuerpo alejadas de las superficies calientes.
- (Fig. 11) No se acerque al propulsor mientras esté girando.
- (Fig. 12) Estrangulador en posición abierta.
- (Fig. 13) Estrangulador en posición cerrada.
- (Fig. 14) Tornillo de ajuste del ralentí.
- (Fig. 15) Este producto cumple con las directivas CE vigentes.
- (Fig. 16) Este producto cumple con las directivas del Reino Unido vigentes.
- (Fig. 17) Emisiones sonoras al medio ambiente conformes con la directiva europea 2000/14/CE y con la regulación de 2017 sobre de protección del medio ambiente (control de ruidos) (Protection of the Environment Operations - Noise Control) de la legislación de Nueva Gales del Sur. Los datos sobre las emisiones sonoras se pueden encontrar en la etiqueta de la máquina y en el capítulo Datos técnicos.

Tenga cuidado con los objetos que salen despedidos. Los objetos que salen despedidos pueden provocar lesiones graves. Utilice el equipo de protección personal.

(Fig. 18)

(Fig. 19)

aaaaassxxxx

Mantenga una distancia de seguridad mínima de 15 m con respecto a personas o animales.

En la placa de características o la impresión láser se indica el número de serie. **aaaa** es el año de producción y **ss** es la semana de producción.

Nota: Los demás símbolos/etiquetas que aparecen en el producto corresponden a requisitos de homologación específicos en otras zonas comerciales.

Responsabilidad sobre el producto

Como se estipula en las leyes de responsabilidad del producto, no nos hacemos responsables de los daños y perjuicios causados por nuestro producto si:

- El producto se ha reparado incorrectamente.
- El producto se ha reparado con piezas que no eran del fabricante o no autorizadas por el fabricante.
- El producto tiene un accesorio que no es del fabricante o no está autorizado por este.
- El producto no se ha reparado en un centro de servicio autorizado o por un organismo homologado.

Seguridad

Definiciones de seguridad

Las definiciones siguientes indican el nivel de gravedad para cada palabra de señalización de riesgo.



ADVERTENCIA: Lesiones a personas.



PRECAUCIÓN: Daños en el producto.

Nota: Esta información hace que el producto sea más fácil de usar.

Instrucciones generales de seguridad



ADVERTENCIA: Lea las siguientes instrucciones de advertencia antes de utilizar el producto.

- No realice cambios en el producto sin la aprobación del fabricante y utilice siempre accesorios originales. Las modificaciones y accesorios no aprobados pueden provocar lesiones graves o la muerte del operario u otras personas.
- No utilice un producto dañado. Lleve a cabo las comprobaciones de seguridad y siga las instrucciones de mantenimiento descritas en este manual de usuario. Todos los demás trabajos de mantenimiento deben encomendarse a personal de servicio autorizado.
- Todos los trabajos de servicio y reparación deben encomendarse a personal de servicio autorizado. Si

una pieza del producto está defectuosa, póngase en contacto con su taller de servicio.

Seguridad respecto a las vibraciones

Este producto está diseñado para uso ocasional exclusivamente. El uso frecuente o continuo del producto puede provocar casos de enfermedad de Raynaud o problemas médicos similares debido a las vibraciones. Observe el estado de sus manos y dedos si usa el producto de forma frecuente o continua. Si sus manos o dedos presentan decoloración, dolor, hormigueo o entumecimiento, deje de trabajar y acuda a un médico de inmediato.

Instrucciones de seguridad para el funcionamiento



ADVERTENCIA: Lea las siguientes instrucciones de advertencia antes de utilizar el producto.

- Este producto puede ser peligroso y ocasionar daños graves o mortales tanto al operador como a cualquier otra persona. Tenga cuidado y utilice el producto correctamente.
- Inspeccione el producto antes de utilizarlo. Consulte la sección *Mantenimiento en la página 101*.
- Nunca utilice el producto si está cansado, enfermo o se encuentra bajo los efectos del alcohol o medicamentos que puedan afectar la vista, la capacidad de decisión o la coordinación.
- Instale todas las cubiertas y protecciones antes de su uso. Para evitar descargas eléctricas, asegúrese de que el sombrero de bujía y el cable de encendido no presenten daños.
- No toque la bujía ni el cable de encendido con el motor en marcha.
- Mantenga una distancia de seguridad mínima de 15 m con respecto a personas o animales. Si una persona, un niño o un animal se acercan a menos de 15 m, detenga el producto. No apunte con el producto hacia personas, animales, ventanas abiertas y otros objetos.
- No deje que los niños manejen el producto. Asegúrese de que todos los operarios lean y comprendan el contenido de este manual de usuario.
- Mantenga las manos u otros objetos alejados de la carcasa del soplador durante el funcionamiento. Las piezas giratorias pueden causar lesiones graves.
- No utilice el producto si la rejilla de la toma de aire no está instalada. Asegúrese siempre de que la rejilla de la toma de aire esté instalada y no presente daños antes de usar el producto.
- En caso de emergencia, desabroche el cinturón y la cinta del pecho del arnés, y deje caer el producto.
- Cumpla las normativas y directivas nacionales.
- Mantenga todas las partes del cuerpo alejadas de las superficies calientes.

- Una vibración excesiva puede provocar daños en la circulación o en el sistema nervioso. Hable con su médico si presenta síntomas como, por ejemplo, entumecimiento, pérdida de sensibilidad, hormigueo, pinchazos, dolor, pérdida de fuerza o cambios en el color de la piel de los dedos, manos o muñecas.
- Tenga cuidado con los objetos que salen despedidos. Los objetos que salen despedidos pueden provocar lesiones graves.
- No use el producto en condiciones meteorológicas adversas como, por ejemplo, niebla, lluvia, vientos fuertes o frío intenso. Si trabaja con condiciones meteorológicas adversas, puede cansarse más y verse expuesto a situaciones de peligro.
- Asegúrese de que puede moverse y mantener una postura estable. Inspeccione el lugar de trabajo en busca de cualquier obstáculo como, por ejemplo, piedras. Tenga cuidado cuando utilice el producto en una pendiente.
- No deje el producto en el suelo con el motor en marcha.
- No utilice el producto en altura, por ejemplo, subido a una escalera.
- Asegúrese de que alguien le pueda oír en caso de accidente.
- Asegúrese de que la salida de los gases de escape no esté obstruida. Para evitar daños en el producto, no permita que haya nada a menos de 50 cm de la salida de los gases de escape.
- Nunca arranque el producto en interiores, en lugares mal ventilados ni cerca de material inflamable. Los gases de escape del motor contienen monóxido de carbono, que puede provocar intoxicación. Los gases de escape del motor están calientes y pueden contener chispas, las cuales pueden llegar a provocar un incendio.

Equipo de protección personal



ADVERTENCIA: Lea las siguientes instrucciones de advertencia antes de utilizar el producto.

- Para trabajar con el producto debe utilizar un equipo de protección personal homologado. El equipo de protección personal no elimina completamente el riesgo de lesiones, pero reduce la gravedad de las lesiones. Póngase en contacto con su distribuidor para obtener más información.
- Utilice protección auditiva homologada. La exposición prolongada al ruido puede causar daños crónicos en el oído.
- Utilice protección ocular homologada. Si se utiliza visor, deben utilizarse también gafas protectoras homologadas. Por gafas protectoras homologadas se entienden las que cumplen con la norma ANSI Z87.1 para EE. UU. o EN 166 para países de la UE.
- Utilice guantes protectores al usar el producto y al realizar trabajos de mantenimiento en él.

- Utilice botas o zapatos de protección con suela antideslizante.
- Utilice ropa de tejido resistente y larga. No utilice joyas ni calzado abierto. Para reducir el riesgo de lesiones, la ropa debe quedar ceñida pero sin llegar a limitar el movimiento. Evite que el pelo le caiga por debajo de los hombros para que no entre en contacto con las piezas giratorias ni se enganche en las ramas.
- Utilice una máscara de protección respiratoria en caso de existir riesgo de polvo.
- Mantenga cerca el equipo de primeros auxilios.

Dispositivos de seguridad en el producto



ADVERTENCIA: Lea las siguientes instrucciones de advertencia antes de utilizar el producto.

- No utilice un producto que tenga dispositivos de seguridad defectuosos.
- Realice una comprobación de los dispositivos de seguridad con frecuencia. Consulte la sección *Mantenimiento en la página 101*.
- Si los dispositivos de seguridad están defectuosos, hable con su taller de servicio Husqvarna.

Comprobación del silenciador



ADVERTENCIA: No utilice un producto con un silenciador defectuoso.



ADVERTENCIA: El silenciador se calienta mucho durante y después del funcionamiento, incluso con el motor a ralentí. Utilice guantes protectores para evitar quemaduras.



ADVERTENCIA: El interior del silenciador contiene sustancias químicas que pueden ser cancerígenas. No toque el silenciador si está dañado.

- Realice una inspección visual periódica del silenciador. El silenciador mantiene al mínimo los niveles de ruido y aleja los gases de escape del usuario. Consulte la sección *Inspección y limpieza del sistema de refrigeración en la página 102*.

Comprobación del sistema amortiguador de vibraciones

1. Asegúrese de que no los amortiguadores de vibraciones no presenten fisuras ni deformación.
2. Compruebe que los amortiguadores de vibraciones estén bien montados entre la parte del motor y la parte de los mangos.

Consulte *Descripción del producto en la página 94* para obtener más información sobre la ubicación del sistema amortiguador de vibraciones en el producto.

Comprobación del interruptor de arranque/parada

1. Utilice el interruptor de arranque/parada para parar el motor.
2. Asegúrese de que el motor se detiene por completo.

Para conocer la ubicación del interruptor de arranque/parada en el producto, consulte *Descripción del producto en la página 94*.

Arnés de seguridad

Use siempre el arnés cuando utilice el producto. Si no usa el arnés, no podrá utilizar el producto de forma segura. Esto podría provocar lesiones a usted o a otras personas. Asegúrese de que el cinturón y la correa del pecho están abrochados y correctamente ajustados. Si no se abrocha el cinturón, existe el riesgo de que lo succione el ventilador del producto.

(Fig. 20)

Seguridad en el uso del combustible



ADVERTENCIA: Lea las siguientes instrucciones de advertencia antes de utilizar el producto.

- No mezcle ni añada combustible en un recinto cerrado o cerca de una fuente de calor.
- No arranque el producto si hay manchas de aceite o combustible sobre el producto o sobre su cuerpo.
- No arranque el producto si el motor presenta fugas de combustible. Examine frecuentemente si hay fugas de combustible en el motor.
- Tenga siempre cuidado con el combustible. El combustible es inflamable, sus vapores son explosivos y puede provocar lesiones graves o la muerte.
- No inhale los vapores de combustible, ya que pueden causar lesiones. Asegúrese de que hay ventilación suficiente.
- No fume cerca del combustible o el motor.
- No coloque el producto ni un recipiente de combustible cerca de objetos calientes, una llama descubierta, una chispa o una llama piloto.
- Use siempre recipientes homologados para el transporte y almacenamiento de combustible.

Instrucciones de seguridad para el mantenimiento



ADVERTENCIA: Lea las siguientes instrucciones de advertencia antes de utilizar el producto.

- Pare el motor, quite la bujía y deje que el motor se enfríe antes de realizar tareas de mantenimiento y montaje.
- Si el apagachispas se obstruye, el motor se calienta demasiado y puede resultar dañado.

- Si el apagachispas se obstruye con frecuencia, esto puede ser señal de que se ha reducido el rendimiento del catalizador. Hable con su distribuidor para que examine el silenciador.

Montaje

Introducción



ADVERTENCIA: Asegúrese de leer y comprender el capítulo sobre seguridad antes de montar el producto.

Montaje del tubo de soplado y del mango de control en el producto

Nota: Lubrique los tubos y la manguera flexible para facilitar su montaje.

1. Conecte la manguera flexible (A) al codo y el tubo de control (B) con las abrazaderas (C) y (D). (Fig. 21)
2. Monte el soporte del mango (E) en el tubo de control. Alinee el soporte del mango con la brida del tubo de control. (Fig. 22)

3. Ajuste la posición del mango de control para conseguir una posición de trabajo segura y correcta. Apriete la palomilla.
4. Fije el cable a la manguera flexible con la abrazadera. (Fig. 23)
5. Conecte el tubo intermedio al tubo de control. (Fig. 24)
6. Conecte la boquilla de soplado al tubo intermedio.

Nota: La boquilla de soplado solo puede instalarse en el tubo intermedio.

7. Para obtener una mayor velocidad del aire, conecte la boquilla de alta velocidad a la boquilla del soplador.

Funcionamiento

Introducción



ADVERTENCIA: Asegúrese de leer y comprender el capítulo sobre seguridad antes de usar el producto.

Carburante

Este producto tiene un motor de dos tiempos.



PRECAUCIÓN: Un tipo de combustible incorrecto puede producir daños en el motor. Utilice una mezcla de gasolina y aceite para motores de dos tiempos.

Combustible premezclado

- Utilice gasolina de alquilato premezclada Husqvarna para mejorar el rendimiento y prolongar la vida útil del motor. Este combustible contiene menos productos químicos peligrosos que la gasolina tradicional, lo que reduce los gases de escape tóxicos. Con este combustible, se reduce la cantidad de residuos de la combustión, lo que ayuda a mejorar el nivel de limpieza de los componentes del motor.

Mezcla de combustible

Gasolina

- Utilice gasolina sin plomo de buena calidad con un máximo de un 10 % de etanol.



PRECAUCIÓN: No utilice gasolina con un octanaje inferior a 90 octanos RON (87 AKI). El uso de gasolina de un octanaje inferior puede causar golpeteo del motor, lo cual puede provocar daños en el motor.

Aceite para motores de dos tiempos

- Para obtener los mejores resultados y un rendimiento óptimo, utilice aceite para motores de dos tiempos Husqvarna.
- Si no se dispone de aceite para motores de dos tiempos Husqvarna, puede utilizarse un aceite para motores de dos tiempos de buena calidad para motores refrigerados por aire. Póngase en contacto con su taller de servicio para seleccionar el aceite correcto.



PRECAUCIÓN: No utilice nunca aceite para motores de dos tiempos motores fueraborda refrigerados por agua. No utilice aceite para motores de cuatro tiempos.

Mezcla de gasolina y aceite para motores de dos tiempos

Gasolina, litros	Aceite para motores de dos tiempos, litros
	2 % (50:1)
5	0,10
10	0,20
15	0,30
20	0,40



PRECAUCIÓN: Los errores, por pequeños que sean, pueden influir en la proporción de la mezcla considerablemente si mezcla pequeñas cantidades de combustible. Mida cuidadosamente la cantidad de aceite para asegurarse de obtener la mezcla adecuada.

(Fig. 25)

1. Agregue la mitad de la cantidad de gasolina a un recipiente limpio homologado para combustible.
2. Añada la cantidad total de aceite.
3. Agite la mezcla de combustible.
4. Añada el resto de gasolina al recipiente.
5. Agite bien la mezcla de combustible.



PRECAUCIÓN: No mezcle combustible para más de 1 mes como máximo.

Llenado del depósito de combustible



ADVERTENCIA: Por su seguridad, siga el procedimiento que se indica a continuación.

1. Detenga el motor y deje que se enfríe.
2. Limpie minuciosamente alrededor de la tapa del depósito de combustible. (Fig. 26)
3. Agite el recipiente y asegúrese de que el combustible esté totalmente mezclado.

4. Abra el tapón del depósito de combustible lentamente para liberar la presión.
5. Llene el depósito de combustible.



PRECAUCIÓN: Asegúrese de que no haya demasiado combustible en el depósito, ya que este se expande cuando se calienta.

6. Apriete con cuidado el tapón del depósito de combustible.
7. Limpie el combustible derramado sobre el producto y alrededor de él.
8. Aparte el producto 3 m (10 pies) o más del lugar y la fuente de repostaje antes de arrancar el motor.

Nota: Para conocer la ubicación del depósito de combustible en el producto, consulte *Descripción del producto en la página 94*.

Arranque del motor en frío



ADVERTENCIA: El aire se expulsa en cuanto el motor se pone en marcha, incluso en ralentí. No deje que nadie se acerque al soplador o al tubo del soplador.

1. Si el motor está frío, coloque el estrangulador (A) en la posición cerrada. Consulte la sección *Simbolos que aparecen en el producto en la página 94*. (Fig. 27)
2. Presione la perilla de cebado de la bomba de combustible (B) un mínimo de 10 veces hasta que comience a llenarse de combustible. No es necesario llenar completamente la perilla de la bomba de combustible.
3. Coloque el acelerador en la posición de ralentí rápido. Alinee las marcas de referencia de la palanca del acelerador y del mango de control. (Fig. 28)
4. Ponga el producto sobre un suelo plano.
5. Sujete el producto con la mano izquierda y coloque el pie sobre la placa para el pie. (Fig. 29)
6. Tire lentamente de la empuñadura de arranque con la mano derecha hasta que note resistencia.

Nota: No tire de la empuñadura de la cuerda de arranque al máximo y no la suelte.

7. Tire de la empuñadura de la cuerda de arranque rápidamente con la mano derecha hasta que el motor arranque o intente arrancar, hasta un máximo de 6 veces. Si el motor arranca, mueva la palanca del estrangulador gradualmente hasta la posición abierta y continúe con el paso 11. Si el motor no arranca, continúe con el paso 9.

- Si el motor arranca o intenta arrancar, desplace gradualmente la palanca del estrangulador hasta situarla en la posición abierta.
- Tire de la empuñadura de la cuerda de arranque rápidamente con la mano derecha hasta que el motor arranque, hasta un máximo de 6 veces.



Nota: Si el motor no arranca, repita las instrucciones de arranque desde el paso 1.

- Deje que el motor funcione durante 30 segundos.
- Ponga el acelerador en la posición de ralentí. (Fig. 30)
- Presione el gatillo del acelerador para ajustar la velocidad del soplador. Consulte la sección *Uso del acelerador en la página 100*.

Arranque del motor en caliente

- Si la temperatura ambiente es inferior a 32 °C (90 °F), siga el mismo procedimiento de arranque que en *Arranque del motor en frío en la página 99*, pero no coloque el estrangulador en la posición de estrangulamiento cerrada.
- Si la temperatura ambiente es superior a 32 °C (90 °F), utilice el mismo procedimiento de arranque que *Arranque del motor en frío en la página 99*.

Uso del acelerador

- Para aumentar la velocidad del soplador durante el funcionamiento, presione el acelerador hasta conseguir la velocidad correcta. (Fig. 31)
- Para reducir la velocidad del soplador durante el funcionamiento, suelte el acelerador hasta conseguir la velocidad correcta.

Para arrancar el motor cuando el combustible está demasiado caliente

Si el producto no arranca, puede que el combustible esté muy caliente.

Nota: Utilice siempre combustible nuevo y reduzca el tiempo de funcionamiento cuando haga demasiado calor.

- Coloque el producto en un área fresca alejada de la luz solar directa.
- Deje que el producto se enfríe durante 20 minutos como mínimo.
- Presione la perilla de la bomba de combustible una y otra vez durante 10 y 15 segundos.

- Siga el procedimiento para arrancar un motor frío. Consulte la sección *Arranque del motor en frío en la página 99*.

Manejo del producto

- Utilice el producto en el horario de trabajo habitual. Cumpla con las normas locales.
- Utilice una cantidad de equipo mínima y seleccione la velocidad adecuada para la tarea. Ajuste el acelerador al mínimo posible para evitar generar demasiado ruido y más polvo de lo necesario.
- Acerque la boquilla de soplado al suelo.

Nota: Husqvarna recomienda utilizar la extensión completa de la boquilla de soplado.

- Fíjese en la dirección del viento y use el producto a favor del viento.
- Utilice las herramientas de jardín necesarias para despegar el material del suelo.
- En zonas con polvo, utilice un pulverizador para humedecer la zona. De esta forma, se reducirá el tiempo de funcionamiento.
- Después de usar el producto, guárdelo en vertical.

Parada del producto



PRECAUCIÓN: No pare el producto cuando esté funcionando a máxima velocidad.

- Pulse el interruptor de parada. (Fig. 32)

Nota: Cuando el producto se detiene, se oye un golpeteo. Esto es normal y no es señal de que el producto esté defectuoso.

Ajuste del arnés

- Colóquese el arnés del producto.
- Colóquese el cinturón alrededor de la cintura y abroche la hebilla de la correa. (Fig. 33)
- Ajuste el cinturón. (Fig. 34)
- Abroche la hebilla de la correa del pecho. (Fig. 35)
- Ajuste la posición de la correa del pecho. (Fig. 36)
- Apriete la correa del pecho. (Fig. 37)
- Ajuste las correas de los hombros hasta que el producto esté bien ajustado contra su cuerpo. (Fig. 38)
- Ajuste las correas estabilizadoras. (Fig. 39)

Mantenimiento

Introducción

antes de realizar tareas de mantenimiento en el producto.



ADVERTENCIA: Asegúrese de leer y comprender el capítulo sobre seguridad

Programa de mantenimiento

Mantenimiento	Diario	Semanal	Mensual
Limpie las superficies externas.	X		
Asegúrese de que el mango de control funciona correctamente.	X		
Compruebe que el interruptor de arranque/parada funciona correctamente. Consulte la sección <i>Comprobación del interruptor de arranque/parada en la página 97.</i>	X		
Examine el motor, el depósito de combustible y los conductos de combustible para detectar posibles fugas. Examine el filtro de combustible por si presenta contaminación. Sustituya el filtro de combustible si es necesario.	X		
Limpie el filtro de aire. Cambie el filtro de aire si es necesario.	X		
Apriete las tuercas y los tornillos.	X		
Inspeccione la toma de aire y verifique que no esté obstruida.	X		
Examine el mecanismo de arranque y la cuerda de arranque en busca de daños.		X	
Examine los amortiguadores de vibraciones para comprobar si presentan daños o grietas, o si están deformados. Compruebe que los amortiguadores de vibraciones están correctamente instalados.		X	
Examine la bujía. Consulte la sección <i>Mantenimiento de la bujía en la página 102.</i>		X	
Limpie el sistema de refrigeración.		X	
Limpie el exterior del carburador y la zona alrededor del mismo.		X	
Limpie el depósito de combustible.			X
Examine todos los cables y conexiones.			X
Examine y limpie el apagachispas del silenciador (para productos sin catalizador).		X	
Examine y limpie el apagachispas del silenciador (para productos con catalizador).			X
Examine la bujía. Proceda con la sustitución si es necesario.			X

Para ajustar el régimen de ralentí

1. Asegúrese de que el filtro de aire esté limpio y tenga colocada la cubierta.

2. Regule el ralentí con el tornillo de ralentí. Para conocer la ubicación del tornillo de ralentí en el producto, consulte *Descripción del producto en la página 94.*

Mantenimiento de la bujía



PRECAUCIÓN: Utilice la bujía recomendada. Consulte la sección *Datos técnicos en la página 105*. Una bujía incorrecta puede provocar daños en el producto.

1. Detenga el motor y deje que el producto se enfríe.
2. Limpie la bujía si está sucia.
3. Compruebe que la distancia entre los electrodos sea correcta. Consulte la sección *Datos técnicos en la página 105*. (Fig. 40)
4. Cambie la bujía todos los meses o más a menudo si es necesario.

Mantenimiento del silenciador



PRECAUCIÓN: Si el apagachispas se obstruye con frecuencia, esto puede ser señal de que se ha reducido el rendimiento del catalizador. Hable con su taller de servicio para que examine el silenciador. Un apagachispas bloqueado provoca sobrecalentamiento y causa daños en el cilindro y el pistón.



PRECAUCIÓN: Si el apagachispas sufre desperfectos, cámbielo. No utilice un producto sin el apagachispas del silenciador o con uno que esté defectuoso.

- Limpie el apagachispas del silenciador. Utilice un cepillo de alambre. (Fig. 41)
- Deje que un taller de servicio sustituya o realice el mantenimiento del silenciador y la pantalla del apagachispas tras 50 horas de funcionamiento.

Inspección y limpieza del sistema de refrigeración

El sistema de refrigeración incluye las aletas de refrigeración del cilindro y la rejilla de la toma de aire.

1. Pare el motor.
2. Asegúrese de que el sistema de refrigeración no esté dañado ni obstruido. Si es necesario, limpie la rejilla de la toma de aire y las aletas de refrigeración.



PRECAUCIÓN: Un sistema de refrigeración sucio u obstruido puede producir el sobrecalentamiento del motor, lo cual puede provocar daños en el producto. Una rejilla de la toma de aire obstruida afecta negativamente a la fuerza de soplado.

3. Examine el sistema de refrigeración para comprobar si presenta daños. Asegúrese de que los componentes estén bien montados en el producto.

Limpieza del filtro de aire



PRECAUCIÓN: No utilice el producto sin haber instalado un filtro de aire, ni tampoco si el filtro de aire está dañado. El polvo presente en el aire puede dañar el motor.

1. Coloque el estrangulador en la posición cerrada.
2. Retire la cubierta del filtro de aire (A).
3. Retire el prefiltro (B) de la cubierta del filtro de aire. (Fig. 42)
4. Retire el filtro de aire (C) del bastidor del filtro.
5. Limpie el prefiltro y el filtro de aire con agua templada y jabón.

Nota: Un filtro de aire que se haya utilizado durante mucho tiempo no se puede limpiar por completo. Sustituya el filtro de aire periódicamente y cambie siempre el filtro de aire si está defectuoso.

6. Limpie la superficie interior de la cubierta del filtro de aire (A) con un cepillo.
7. Coloque el filtro de aire en el bastidor del filtro.
8. Coloque el filtro de aire y la cubierta del filtro de aire.
9. Coloque la cubierta del filtro de aire en el producto.

Resolución de problemas

El motor no arranca		
Comprobar	Causa posible	Solución
Ganchos de arranque.	Ganchos de arranque bloqueados o desgastados.	Ajuste o sustituya los ganchos de arranque.
		Limpie alrededor de los ganchos de arranque.
		Acuda a un centro de servicio autorizado.
Depósito de combustible.	Tipo de combustible incorrecto.	Vacíe el depósito de combustible y llénelo con el combustible adecuado.
Carburador.	Reglaje del régimen de ralentí	Regule el régimen de ralentí con el tornillo de ajuste.
Chispa (no hay chispa).	La bujía está sucia o mojada.	Asegúrese de que la bujía de encendido está seca y limpia.
	La distancia entre los electrodos de la bujía es incorrecta.	Limpie la bujía. Compruebe que la distancia entre los electrodos sea correcta.
		Consulte los datos técnicos para conocer la distancia entre los electrodos correcta.
Bujía.	Bujía suelta.	Apriete la bujía.
	Hay material no deseado en los electrodos de la bujía.	Asegúrese de que la mezcla de combustible sea correcta.
		Asegúrese de que el filtro de aire esté limpio.

El motor arranca pero se para de nuevo		
Comprobar	Causa posible	Solución
Depósito de combustible.	Tipo de combustible incorrecto.	Vacíe el depósito de combustible y llénelo con el combustible adecuado.
Carburador.	El motor no funciona correctamente a ralentí.	Acuda a su distribuidor.
Filtro de aire.	Filtro de aire obstruido.	Limpie el filtro de aire.

Transporte y almacenamiento

Transporte y almacenamiento



ADVERTENCIA: Para evitar el riesgo de incendio, asegúrese de que no haya fugas ni vapores durante el transporte o el almacenamiento. Asegúrese de que no existe riesgo de chispas ni de incendio.

- Vacíe el depósito de combustible antes de transportar el producto o almacenarlo un tiempo prolongado. Presione la perilla de la bomba de combustible para verificar que se haya extraído todo el combustible. Deseche el combustible en una ubicación adecuada para su eliminación.
- Asegúrese de que el producto esté limpio y de haber realizado todas las tareas de mantenimiento pertinentes antes de guardarlo durante periodos prolongados.
- Quite la bujía y vierta aproximadamente 15 ml de aceite para motores de dos tiempos en el cilindro. Haga girar el producto 3 veces e instale de nuevo la bujía.
- Fije el producto firmemente al vehículo durante el transporte.
- Ponga el producto en un lugar seco, fresco y limpio, con una ventilación adecuada. Mantenga el producto alejado de los niños.

Datos técnicos

Datos técnicos

	Husqvarna 345BT (BP152HV)
Motor	
Cilindrada, cm ³	51,7
Régimen de ralentí, rpm	2800
Catalizador	Sí
Sistema de encendido	
Bujía	NGK BPMR7A/Champion RCJ6Y
Distancia entre electrodos, mm	0,6-0,7
Par de apriete de la bujía, Nm	25-30
Sistema de combustible y lubricación	
Capacidad del depósito de combustible, l/cm ³	1,0/1000
Peso	
Peso sin combustible, kg	10,0
Emisiones de ruido ²²	
Nivel de potencia acústica, dB(A) medidos	110
Nivel de potencia acústica garantizado L _{WA} dB(A)	113
Niveles acústicos ²³	
Nivel de presión sonora equivalente en el oído del usuario, medido conforme a EN15503, dB(A):	
Equipado con la boquilla de soplado (original)	101
Niveles de vibraciones ²⁴	
Niveles de vibración equivalentes (a _{hv,eq}) en los mangos, medidos conforme a EN 15503, m/s ²	6,1
Rendimiento del ventilador	
Velocidad máxima del aire con boquilla de alta velocidad, m/s	98,3
Caudal de aire sin boquilla de alta velocidad, m ³ /min	13,9

²² Emisiones sonoras en el entorno medidas como potencia acústica (L_{WA}) según la directiva 2000/14/CE. El nivel referido de potencia sonora de la máquina se ha medido con el equipo de corte original que produce el nivel más elevado. La diferencia entre la potencia sonora garantizada y medida es que la potencia sonora garantizada también incluye la dispersión en el resultado de la medición y las variaciones entre diferentes máquinas del mismo modelo, según la directiva 2000/14/CE.

²³ Los datos referidos del nivel de presión sonora tienen una dispersión estadística habitual (desviación típica) de 3,0 dB (A).

²⁴ Los datos referidos del nivel de vibración poseen una dispersión estadística habitual (desviación típica) de 1,5 m/s².

Declaración de conformidad CE

Declaración de conformidad CE

Nosotros, Husqvarna AB, SE 561 82 Huskvarna, SUECIA, declaramos bajo nuestra exclusiva responsabilidad que el producto representado:

Descripción	Soplador a gasolina/soplador-aspirador
Marca	Husqvarna
Plataforma/tipo/modelo	Plataforma BP152HV, que representa el modelo 345BT.
Lote	Número de serie a partir del año 2022.

Consejo Europeo 2006/42/CE referente a máquinas AM 50391742.

El certificado se aplica a todas las ubicaciones de fabricación y países de origen, tal y como se declara en el producto.

El soplador de gasolina / soplador-aspirador suministrado concuerda con el ejemplar sometido a examen.

En nombre de Husqvarna AB, SE-561 82 Huskvarna, SUECIA,



Pär Martinsson

Responsable de la documentación técnica

Cumple las siguientes directivas y normas de la UE:

Directiva/Norma	Descripción
2006/42/CE	"relativa a las máquinas"
2014/30/UE	"relativa a la compatibilidad electromagnética"
2000/14/CE	"relativa al ruido en exteriores"
2011/65/UE	"restricciones a la utilización de determinadas sustancias peligrosas"



Las normas armonizadas o especificaciones técnicas aplicadas son las siguientes: EN ISO 12100:2010, EN 15503:2009+A2, CISPR 12:2007, EN ISO 14982:2009, EN IEC 63000:2018, EN IEC 63000:2018

De acuerdo con la directiva 2000/14/CE, Anexo V, los valores de sonido declarados se indican en el capítulo Datos técnicos de este manual.

TÜV Rheinland ha efectuado un examen de tipo voluntario para Husqvarna AB y proporciona el certificado de conformidad con la directiva del

Sisukord

Sissejuhatus.....	107	Veaotsing.....	115
Ohutus.....	108	Transportimine ja hoiustamine.....	116
Kokkupanek.....	110	Tehnilised andmed.....	117
Töö.....	111	EÜ vastavusdeklaratsioon.....	118
Hooldamine.....	113		

Sissejuhatus

Seadme kirjeldus

See toode on sisepõlemismootoriga puhur.

Tegeleme pidevalt oma toodete edasiarendamisega ning seetõttu jätame endale õiguse muuta toodete disaini ja välimust ilma sellest ette teatamata.

Toote tutvustus

(Joon. 1)

1. Gaasitrikli kang
2. Raam
3. Kanderihmad
4. Mootorikate
5. Ventilaatori kate
6. Öhu sissepääsuava
7. Öhufilter
8. Käivitusnööri käepide
9. Kütusepaak
10. Võõrihm
11. Süüteküünel
12. Vibratsioonisummutussüsteem
13. Öhuklapp
14. Juhtkäepide
15. Gaasitrikliga seiskamislüliti
16. Gaasihoovastiku nupp
17. Toru nurk
18. Klambrikoost
19. Painduv voolik
20. Juhtvoolik
21. Kaabliklamber
22. Vahetoru
23. Puhurseadme otsak
24. Kasutusjuhend
25. Lehtsilmusvõti
26. Kütusepump
27. Kõrgsurveotsak
28. Tühikäigu reguleerimiskruvi
29. Ventilaator
30. Jalatugi

Kasutusotstarve

Kasutage toodet lehtede või muu soovimatu materjali ärapuhumiseks näiteks murult, teeradadelt ja asfaltteedelt.

Sümbolid tootel

- (Joon. 2) HOIATUS! Toode võib olla ohtlik ja põhjustada kasutaja või kõrvaliste isikute ohtliku kehavigastuse või surma. Ole ettevaatlik ja kasuta toodet õigesti.
- (Joon. 3) Enne seadme kasutamist loe kasutusjuhend hoolikalt läbi ja veendu, et kõik juhised oleksid täiesti arusaadavad.
- (Joon. 4) Kasuta heakskiidetud kõrvaklappe ja kaitseprille. Kui keskkond sisaldab tolmu, kannu hingamismaski.
- (Joon. 5) Kasuta töötamise ja hooldamise ajal heakskiidetud kaitsekindaid. Kanna libisemiskindla tallaga kaitsepaapaid või -jalatseid. Kasuta täispikki ja tugevast kangast riideid.
- (Joon. 6) Jälgige, et pikad juuksed ei ulatuks õlgadest allapoole.
- (Joon. 7) Ära kannu töötamise ajal ehteid ega avaraid rõivaid.
- (Joon. 8) Kasuta bensiini ja kahetaktilise mootori õli segu.
- (Joon. 9) Kütusepump.
- (Joon. 10) Hoia kõik kehaosad kuumadest pindadest eemal.
- (Joon. 11) Ära mine pöörleva tiiviku lähedusse.

- (Joon. 12) Õhuklapp, avatud asend.
- (Joon. 13) Õhuklapp, suletud asend.
- (Joon. 14) Tühikäigu reguleerimiskruvi.
- (Joon. 15) See toode vastab kehtivatele EÜ direktiividele.
- (Joon. 16) See toode vastab kohalduvatele EL-i direktiividele.
- (Joon. 17) Keskkonda paisatava müra tase vastab Euroopa direktiivi 2000/14/EÜ ja Uus Lõuna-Walesi seaduse „Protection of the Environment Operations (Noise Control) Regulation 2017“ nõuetele. Mürataseme andmed on toodud seadme sildil ja peatükis Tehnilised andmed.

- (Joon. 18) Hoidu eemalepaisukivate esemete eest. Õhku paisukivad esemed võivad põhjustada raskeid vigastusi. Kasuta isikukaitsevahendeid.

(Joon. 19)

Hoia inimeste või loomade-
ga minimaalselt 15 m ohu-
tut vahemaad.

Mudeli etikett või laserrü-
kis näitab seerianumbrit.
aaaa on tootmisaasta ja **nn**
on tootmisnädal.

aaaaannxxxxx

Märkus: Seadmel toodud ülejäänud sümbolid/
tähised vastavad muude kommertsvaldkondade
sertifitseerimisnõuetele.

Tootevastutus

Tootevastutusseaduste alusel ei vastuta me tootest
tingitud kahjustuste eest, kui:

- toodet on valesti parandatud;
- toote parandamisel on kasutatud osi, mis ei ole tootja poolt valmistatud või heaks kiidetud;
- tootel on kasutatud tarvikut, mis ei ole tootja poolt valmistatud või heaks kiidetud;
- toodet ei ole parandatud volitatud hoolduskeskuses või volitatud isiku poolt.

Ohutus

Ohutuse määratlused

Järgnevad määratlused näitavad mürgusõnade raskusastet.



HOIATUS: Kehavigastused.



ETTEVAATUST: Toote kahjustus.

Märkus: See teave hõlbustab toote kasutamist.

Üldised ohutuseeskirjad



HOIATUS: Enne toote kasutamist loe läbi järgnevad hoiatused.

- Ära tee toote juures ilma tootja heakskiiduta muudatusi ja kasuta alati originaaltarvikuid. Heakskiitmata muudatused ja/või tarvikud võivad põhjustada kasutaja või teiste isikute surma või raske vigastuse.
- Ära kasuta kahjustatud seadet. Teosta käesolevas juhendis kirjeldatud ohutuskontrollid ja hooldustööd.

Kõik muud hooldustööd tuleb lasta teha volitatud hooldustöökojas.

- Igasugune teenindamis- ja remonditööd tuleb lasta teha volitatud hooldustöökojas. Kui toote mõni osa on defektiga, pöörduge hooldusesindusse.

Vibratsiooniohutus

See toode on ette nähtud üksnes aeg-ajalt kasutamiseks. Toote pidev või regulaarne kasutamine võib põhjustada nn valgete sõrmede sündroomi või muid sarnaseid vibratsioonist tingitud meditsiinilisi probleeme. Kui kasutate toodet pidevalt või regulaarselt, kontrollige aeg-ajalt oma käte ja sõrmede seisundit. Kui teie kätel või sõrmedel muutub värv, tunnete valu või surinat või käed või sõrmed muutuvad tuimaks, lõpetage töötamine ja pöörduge kohe arsti poole.

Ohutusjuhised kasutamisel



HOIATUS: Enne toote kasutamist loe läbi järgnevad hoiatused.

- Toode võib olla ohtlik ja põhjustada kasutaja või kõrvaliste isikute ohtliku kehavigastuse või surma. Olge ettevaatlik ja kasutage toodet õigesti.
- Kontrolli seadet enne kasutamist. Vt jaotist *Hooldamine lk 113*.

- Ära kasuta toodet, kui oled väsinud, haige või tarvitanud alkoholi või muid narkootilisi aineid, mis võib pärssida teie nägemisvõimet, hindamisvõimet või koordineerimist.
- Paigalda enne kasutamist kõik katted ja kaitsed. Elektrilöögi vältimiseks veendu, et süüteküünla piip ja süüteküünla juhe ei oleks kahjustatud.
- Ära puuduta mootori töötamise ajal süüteküünalt ega süütejuhet.
- Hoiatage inimeste või loomadega minimaalselt 15 m ohutut vahemaad. Kui inimesed, lapsed või loomad tulevad lähemale kui 15 m, seiska seade. Suuna toode eemale inimestest, loomadest, avatud akendest ja teistest objektidest.
- Ära luba lastel seadet käsitseda. Veendu, et kõik kasutajad on käesoleva kasutusjuhendi läbi lugenud ja saavad sellest aru.
- Hoiatage käed ja teised esemed seadme kasutamise ajal puhuri korpusest eemal. Pöörlevad esemed võivad põhjustada raskeid vigastusi.
- Ära kasuta toodet, kui õhu sissepääsuava on paigaldamata. Veendu enne kasutamist alati, et õhu sissepääsuava on paigaldatud ja pole kahjustatud.
- Hädaloalukorra tekkides vabasta rakemete vöö- ja rinnarihm ning lase tootel maha kukkuda.
- Pea kinni riiklikest õigusaktidest ja määrustest.
- Hoiatage kõik kehaosad kuumadest pindadest eemal.
- Liiga tugev vibratsioon võib põhjustada vereringet või närvisüsteemi. Pea nõu arstiga, kui sul esinevad järgmised sümptomid: sõrmede, käte või randmete tuimus, tunded, surisemine, kibelemine, valu, jõu kaotus või nahavärvuse muutumine.
- Hoidu eemalepaiskuvate esemete eest. Õhku paiskuvad esemed võivad põhjustada raskeid vigastusi.
- Hoidu seadme kasutamisest halva ilmaga, nt tihedas udus, tugeva vihma, tugeva tuule või suure külmaga. Halva ilmaga töötamine võib põhjustada väsimust ja ohtlike olukordade teket.
- Veendu et saaksid liikuda ja töötada stabiilses asendis. Kontrolli tööpiirkonda võimalike takistuste, näiteks kivide suhtes. Ole ettevaatlik toote kasutamisel kallakul.
- Ära aseta töötava mootoriga toodet maapinnale.
- Ära kasuta toodet viibides kõrgetel kohtadel, näiteks redelil.
- Veendu, et teid oleks alati kuulda, kui õnnetus peaks juhtuma.
- Veendu, et mootori heitgaasi väljalaskeava ei oleks tõkestatud. Tootet kahjustamise vältimiseks hoiatage võimalikud takistused heitgaasi väljalaskeavast vähemalt 50 cm kaugusel.
- Ära käivita toodet siseruumis, ebasoodsa tuulesuuna korral ega tuleohtlike materjalide ligidal. Mootori heitgaasid sisaldavad vingugaasi, mis võib põhjustada vingumürgitust. Mootori heitgaasid on tulised ja võivad sisaldada sädemeid, mis võivad põhjustada tulekahju.

Isikukaitsevahendid



HOIATUS: Enne seadme kasutamist loe läbi järgnevad hoiatused.

- Seadmega töötamisel tuleb kasutada ettenähtud isiklikku kaitsevarustust. Isikukaitsevarustuse ei välista täielikult kehavigastuste ohtu, kuid vähendab õnnetusjuhtumi korral kehavigastuse raskusastet. Lisateabe saamiseks võta ühendust edasimüüjaga.
- Kanna heakskiidetud kõrvaklappe. Pikaajaline müra võib tekitada püsiva kuulmiskahjustuse.
- Kanna heakskiidetud kaitseprille. Näokaitseme kasutamisel tuleb lisaks kasutada heakskiidetud kaitseprille. Heakskiidetud kaitseprillide all mõeldakse selliseid prille, mis vastavad standardile ANSI Z87.1 USA-s või EN 166 Euroopa Liidu riikides.
- Kasuta töötamise ja hooldamise ajal kaitsekindaid.
- Kanna libisemiskindla tallaga kaitsepaikaid või -jalatseid.
- Kasuta täispikki ja tugevast kangast riideid. Ära kasuta etteid ega lahtisi jalatseid. Vigastusteohu vähendamiseks peavad riietusesemed hoidma ümber keha, kuid mitte piirama sinu liigutusi. Kinnita juuksed õlgadest kõrgemale, et vältida juuste sattumist liikuvate osade vahele või oksade külge jäämist.
- Tolmu tekkimise ohu korral kasuta hingamiskaitset.
- Hoiatage esmaabikomplekti kättesaadavas kohas.

Toote ohutusseadised



HOIATUS: Enne seadme kasutamist lugege läbi järgnevad hoiatused.

- Ärge kunagi kasutage seadet, kui selle ohutusseadised on defektset.
- Kontrollige ohutusseadiseid regulaarselt. Vt jaotist *Hooldamine lk 113*.
- Kui ohutusseadised on defektset, pöörduge Husqvarna hooldusesindusse.

Summuti kontrollimine



HOIATUS: Ära kasuta defektse summutiga seadet.



HOIATUS: Summutid muutuvad kasutamise ajal ja pärast kasutamist, samuti tühikäigul, väga kuumaks. Põletusvigastuste vältimiseks kasuta kaitsekindaid.



HOIATUS: Summuti sisaldab kemikaale, mis võivad olla kantserogeense toimega. Ära puuduta kahjustatud summutit.

- Kontrolli summutit regulaarselt visuaalselt. Summuti ülesandeks on hoida määratase võimalikult madalal ja suunata mootori heitgaasid kasutajast eemale. Vt jaotist *Kontrolli ja puhasta jahutussüsteemi. lk 114.*

Vibratsioonisummutussüsteemi kontrollimine

1. Veenduge, et vibratsioonisummutusseadised poleks pragunenud ega deformeerunud.
2. Veenduge, et vibratsioonisummutusseadised oleksid mootori ja käepidemete külge kindlalt kinnitatud.

Teavet vibratsioonisummutussüsteemi täpse paiknemise kohta enda tootel vt *Toote tutvustus lk 107.*

Käivitus-/seiskamisülili kontrollimine

1. Mootori seiskamiseks kasuta käivitus-/seiskamisülilit.
2. Veendu, et mootor on täielikult seiskunud.

Tootel käivitus-/seiskamisülili asukoha leidmiseks vt *Toote tutvustus lk 107.*

Rakmete ohutus

Seadme kasutamisel kasutage alati rakmeid. Kui sa ei kasuta rakmeid, ei saa sa tootega ohutult töötada. Selle tagajärjeks võib olla iseenda või teiste isikute vigastamine. Veendu, et vöö- ja rinnarihm oleks kinnitatud ja õigesti reguleeritud. Avatud rihm võib kinni jääda või sattuda seadme ventilaatorisse.

(Joon. 20)

Ohutuse nõuded kütuse käsitsemisel



HOIATUS: Enne toote kasutamist loe läbi järgnevad hoiatused.

- Ära sega ega lisa kütust siseruumides ega kuumusallika lähedal.
- Ära käivita toodet, kui tootel või sinu kehal kütust või õli.
- Ära käivita toodet, kui mootorist lekitab kütust. Kontrolli regulaarselt mootori lekkekindlust.
- Ole kütuse käsitsemisel ettevaatlik. Kütus on tuleohtlik ja kütuse aurud on plahvatusohtlikud ning võivad põhjustada kehavigastusi või surma.
- Ära hinga sisse kütuseaure – see võib põhjustada kehavigastuse. Taga piisav õhuvahetus.
- Ära suitseta kütuse ega mootori läheduses.
- Ära aseta toodet ega kütusenõud kuumade esemete lähedale või kohta, kus on lahtine leek, sädemed või süüteleek.
- Kütuse transportimiseks ja hoiustamiseks kasuta heakskiidetud mahuteid.

Ohutusjuhised hooldamisel



HOIATUS: Enne toote kasutamist loe läbi järgnevad hoiatused.

- Seiska enne hooldamist ja kokkupanemist mootor, eemalda süüteküünlal ja lase mootoril jahtuda.
- Ummistunud sädemepüüduuri tõttu muutub mootor liiga kuumaks ning see võib mootorit kahjustada.
- Kui sädemepüüduuri rest ummistub sageli, võib see olla märk sellest, et katalüsaatori jõudlus on vähenenud. Summuti kontrollimiseks võta ühendust hooldusesindusega.

Kokkupanek

Sissejuhatus



HOIATUS: Enne toote kokkupanekut lugege ohutuspeatükki ja tehke selles olev teave endale arusaadavaks.

Toote puhuritoru ja juhtkäepideme kinnitamine

Märkus: Kokkupanemise hõlbustamiseks määri painduvat voolikut ja torusid.

1. Kinnita painduv voolik (A) klambrite (C) ja (D) abil toru nurgale ja juhttorule (B). (Joon. 21)
2. Kinnita käepideme hoidik (E) juhttorule. Vii käepideme hoidik kohakuti juhttorule oleva äärikuga. (Joon. 22)
3. Sea juhtkäepideme asukoht ohutu ja õige tööasendi jaoks sobivasse asendisse. Keera nupp kinni.
4. Kinnita tross kaablivitsaga trossiklambril külge. (Joon. 23)
5. Kinnita vahetoru juhttoru külge. (Joon. 24)
6. Kinnita puhuriotsak vahetoru külge.

Märkus: Puhuriotsakut saab kinnitada üksnes vahetoru külge.

7. Suurema kiirusega õhuvoolu saamiseks kinnita kõrgsurveotsak puhurseadme otsaku külge.

Töö

Sissejuhatus



HOIATUS: Enne toote kasutamist lugege läbi ohutuspeatükk ja veenduge, et oleksite kõigest aru saanud.

Kütus

Tootel on kahetaktiline mootor.



ETTEVAATUST: Vale kütuse kasutamine võib mootorit kahjustada. Kasutage bensiini ja kahetaktiõli segu.

Eelsegatud kütus

- Parima jõudluse saavutamiseks ja mootori tööea pikendamiseks kasutage Husqvarna eelsegatud alkülaatkütust. See kütus sisaldab tavalise kütusega võrreldes vähem kahjulikke kemikaale, mis omakorda vähendab kahjulikke heitgaase. Selle kütuse korral on põlemisjääkide hulk väiksem ja see aitab hoida mootoriosad puhtamana.

Kütuse segamine

Bensiin

- Kasutage kvaliteetset kuni 10% etanoolisisaldusega pliivaba bensiini.



ETTEVAATUST: Ärge kasutage bensiini, mille oktaaniarv on alla 90 RON (87 AKI). Madalama oktaaniarvuga bensiini kasutamine võib põhjustada mootori klopimist, mis omakorda kahjustab mootorit.

Kahetaktiõli

- Parimate tulemuste ja jõudluse saavutamiseks kasutage Husqvarna kahetaktiõli.
- Kui Husqvarna kahetaktiõli pole saadaval, kasutage õhkjahutusega mootoritele mõeldud kvaliteetset kahetaktiõli. Õige õli valimiseks pöörduge hooldusesindusse.



ETTEVAATUST: Ärge kasutage vesijahutusega pãramootoritele mõeldud kahetaktiõli, mida tuntakse ka paadimootoriõlina. Ärge kasutage neljaktimootori õlisid.

Bensiini ja kahetaktiõli segamine

Bensiin, l	Kahetaktiõli, l
	2% (50:1)
5	0,10
10	0,20
15	0,30
20	0,40



ETTEVAATUST: Väikeste kütusekoguste segamisel võib väike viga segusuhet oluliselt mõjutada. Mõõtkesegatava õli kogus väga täpselt ja veenduge, et segu oleks õige.

(Joon. 25)

1. Valage puhtasse kütusenõusse pool bensiinikogusest.
2. Valage nõusse kogu vajaminev õlikogus.
3. Segage kütusesegu.
4. Lisage nõusse ülejäänud bensiinikogus.
5. Segage kütusesegu hoolikalt.



ETTEVAATUST: Ärge segage kütust korraga rohkem, kui on teie ühe kuu varu.

Kütusepaagi täitmine



HOIATUS: Ohutuse tagamiseks järgige tegevusjuhiseid.

1. Seisake mootor ja laske mootoril maha jahtuda.
2. Puhastage kütusepaagi korgi ümbrus. (Joon. 26)
3. Loksutage kütusenõu veendumaks, et kütus on täielikult segunenud.
4. Surve vabastamiseks avage kütusepaagi kork aeglaselt.
5. Täitke kütusepaak.



ETTEVAATUST: Veenduge, et paagis ei ole liiga palju kütust. Kuumenedes kütus paisub.

6. Pingutage kütusepaagi korki korralikult.

- Eemaldage mahavalgunud kütus tootelt ja selle ümbrusest.
- Enne mootori käivitamist viige seade tankimiskohast ja kütusenõust vähemalt kolme meetri kaugusele.

Märkus: Kütusepaagi asukoha leidmiseks oma seadmel vt *Toote tutvustus lk 107*.

Külma mootori käivitamine



HOIATUS: Puhur hakkab õhku puhuma kohe pärast käivitamist, isegi tühikäigul. Ära luba kellelgi seista puhuri või puhuritoru lähedal.

- Kui mootor on külm, pane õhuklapp suletud õhuklapi asendisse. Vt jaotist *Sümbolid tootel lk 107*. (Joon. 27)
- Vajuta korduvalt kütusepumba kuplit (B) vähemalt 10 korda, kuni kütus hakkab kütusepumba kuplisse valguma. Kütusepump peab olema kütusega täidetud.
- Vii gaasitrikli kiire tühikäigu asendisse. Joonda gaasitrikli kangi ja juhtkäepideme juhikutähised. (Joon. 28)
- Aseta toode maapinnale.
- Hoia toodet vasaku käega ja asetage jalg jalatoele. (Joon. 29)
- Tõmba parema käega aeglaselt käivitusnööri käepidet, kuni tunned takistust.

Märkus: Ära tõmba käivitusnööri käepidet lõpuni välja ja ära lase käivitusnööri käest lahti.

- Tõmba parema käega kiirelt käivitusnööri käepidet (maksimaalselt 6 korda), kuni mootor käivitub või hakkab käivituma. Kui mootor käivitub, seadke õhklapi hoob järk-järgult avatud asendisse ja jätkake 11. juhiseiga. Kui mootor ei käivitu, jätkake 9. juhiseiga.
- Kui mootor hakkab käivituma, sea õhuklapi hoob järk-järgult avatud asendisse.
- Tõmba parema käega kiirelt käivitusnööri käepidet (maksimaalselt 6 korda), kuni mootori käivitub.



Märkus: Kui mootor ei käivitu, alusta uuesti 1. käivitusjuhiseist.

- Lase mootoril 30 sekundit töötada.
- Sea gaasitrikkel tühikäigule. (Joon. 30)
- Puhurikiiruse reguleerimiseks vajuta päästikut. Vt jaotist *Gaasihoovastiku nupu kasutamine lk 112*.

Sooja mootori käivitamine

- Kui ümbritseva keskkonna temperatuur on alla 32 °C, kasuta sama käivitustoimingut, nagu *Külma mootori käivitamine lk 112*, kuid ära sea õhuklappi suletud õhuklapi asendisse.
- Kui ümbritseva keskkonna temperatuur on üle 32 °C, kasuta sama käivitustoimingut, nagu *Külma mootori käivitamine lk 112*.

Gaasihoovastiku nupu kasutamine

- Puhurikiiruse suurendamiseks töötamise ajal lükka gaasihoovastiku nuppu, kuni oled saavutanud õige kiiruse. (Joon. 31)
- Puhurikiiruse vähendamiseks töötamise ajal vabasta gaasihoovastiku nupp, kuni oled saavutanud õige kiiruse.

Mootori käivitamine ülekuumenenud kütusega

Kui toode ei käivitu, võib kütus olla ülekuumenenud.

Märkus: Kasutage värsket kütust ja vähendage soojade ilmade korral tööaega.

- Asetage toode jahedasse kohta, mis on varjatud otsese päikesevalguse eest.
- Laske tootel vähemalt 20 minutit jahtuda.
- Vajutage õhukolbi pumpa uuesti 10–15 sekundit.
- Järgige külma mootori käivitamise juhiseid. Vt jaotist *Külma mootori käivitamine lk 112*.

Toote kasutamine

- Kasuta toodet tavalisel tööajal. Järgi kohalikke kehtivaid eeskirju.
- Vähenda seadme osi ja vali oma töö jaoks sobiv kiirus. Liigse müra ja tolmu vältimiseks kasuta gaasitrikli selle madalaimas võimalikus asendis.
- Hoia puhuriotsak maapinna lähedal.

Märkus: Husqvarna soovib teil kasutada täis puhuriotsaku pikendust.

- Jälgi tuulesuunda ja kasuta toodet allatuult.
- Kasuta materjali maapinnalt vabastamiseks sobivat aiatööriista.
- Tolmustes piirkondades niisuta pritsi abil maapinda. See lühendab kasutamisaega.
- Hoiusta seade pärast kasutamist vertikaalasendis.

Seadme seiskamine



ETTEVAATUST: Ära seiska täiskiirusel töötavat seadet.

- Vajuta stopp-lülitiit. (Joon. 32)

Märkus: Kui seade peatud, kuuled koputusheli. See on tavaline ja ei anna märku vealisest tootest.

Kanderihmade reguleerimine

1. Pane selga toote rakmed.
2. Pane vöörihm ümber vöökohta ja ühenda vöörihma pannel. (Joon. 33)
3. Pinguta vöörihma pannel. (Joon. 34)
4. Ühenda rinnarihma pannel. (Joon. 35)
5. Reguleeri rinnarihma asendit. (Joon. 36)
6. Pingutage rinnarihma. (Joon. 37)
7. Pinguta õlarihmu, kuni rakmed on tugevalt ümber keha. (Joon. 38)
8. Pinguta raskuskeskme rihmu. (Joon. 39)

Hooldamine

Sissejuhatus



HOIATUS: Enne seadme hooldamist lugege läbi ohutuspeatükk ja veenduge, et see oleks teile täielikult arusaadav.

Hooldusskeem

Hooldamine	Üks kord päevas	Üks kord nädalas	Üks kord kuus
Puhasta välispinnad.	X		
Veendu, et juhtkäepide töötaks korralikult.	X		
Veendu, et käivitus-/seiskamislülitit töötaks korralikult. Vt <i>Käivitus-/seiskamislülitit kontrollimine lk 110.</i>	X		
Kontrolli, et mootorist, kütusepaagist ega kütusetorudest ei lekiks kütust. Veendu, et kütusefiltril poleks saastet. Vajaduse korral vaheta välja õhufilter.	X		
Puhasta õhufilter. Vajaduse korral vaheta välja õhufilter.	X		
Keera kinni mutrid ja poldid.	X		
Kontrolli õhu sissevõttu ja veendu, et see poleks blokeeritud.	X		
Kontrolli, kas starter ja käivitusnõör on terved.		X	
Kontrolli, et vibratsioonisummutusosadel poleks kahjustusi, mõrasid ega deformatsioonimärke. Veendu, et vibratsioonisummutajad oleks õigesti paigaldatud.		X	
Kontrolli süüteküünalt. Vt jaotist <i>Süüteküünal kontrollimine lk 114.</i>		X	
Puhasta jahutussüsteem.		X	
Puhasta karburaatori välispind ja selle ümbrus.		X	
Puhasta kütusepaak.			X
Kontrolli kõiki juhtmeid ja ühendusi.			X
Kontrolli ja puhasta summutil asuv sädemepüüduri ekraan (ilma katalüsaatorita toodete puhul).		X	
Kontrolli ja puhasta summutil asuv sädemepüüduri ekraan (katalüsaatoriga toodete puhul).			X
Kontrolli süüteküünalt. Vajaduse korral vaheta välja.			X

Tühikäigu pöörete arvu reguleerimine

1. Veendu, et õhufilter oleks puhas ja et õhufiltri kate oleks paigaldatud.
2. Reguleeri tühikäigu pöörete arvu tühikäigupöörete reguleerimiskruviga. Tootel tühikäigu pöörete arvu reguleerimiskruvi asukohta leidmiseks vt *Toote tutvustus lk 107*.

Süüteküünal kontrollimine



ETTEVAATUST: Kasuta soovitatud tüüpi süüteküünalt. Vt jaotist *Tehnilised andmed lk 117*. Vale süüteküünal võib toodet kahjustada.

1. Seiska mootor ja lase tootel maha jahtuda.
2. Puhasta määratud süüteküünal.
3. Veendu, et elektroodide vahe oleks õige. Vt jaotist *Tehnilised andmed lk 117*. (Joon. 40)
4. Vaheta süüteküünal kord kuus või vajaduse korral sagedamini.

Süüteküünla hooldamine



ETTEVAATUST: Kui sädemepüüduuri rest ummistub sageli, võib see olla märk sellest, et katalüsaatori jõudlus on vähenenud. Summuti kontrollimiseks võta ühendust hooldusesindusega. Ummistunud sädemepüüdurvõrk põhjustab ülekuumenemist, mille tagajärjeks on silindri ja kolvi kahjustused.



ETTEVAATUST: Asenda vigastatud võrk uuega. Ärge kasutage seadet, kui summuti sädemevõrk puudub või on defektne.

- Puhastage summuti sädemepüüdur. Kasutage traatharja. (Joon. 41)
- Lase hooldusesinduses summuti välja vahetada või hoolda summutit ja sädemepüüdurvõrku iga 50 töötunni järel.

Kontrolli ja puhasta jahutussüsteemi.

Jahutussüsteem koosneb silindril jahutusribidest õhu sissevõtuavast.

1. Seiska mootor.
2. Veendu, et jahutussüsteem poleks määratud ega ummistunud. Vajaduse korral puhasta õhu sissevõtuava ja jahutusribid.



ETTEVAATUST: Määratud või ummistunud jahutussüsteem suurendab mootori temperatuuri ja võib kahjustada toodet. Ummistunud õhu sissevõtuava vähendab puhumisjõudu.

3. Kontrolli jahutussüsteemi kahjustuste suhtes. Veendu, et kõik osad on õigesti toote külge kinnitatud.

Õhufiltri puhastamine



ETTEVAATUST: Ära kasuta toodet, kui õhufilter on puudu või on kahjustunud. Õhus leiduv tolm võib mootorit kahjustada.

1. Suru õhuklapp suletud asendisse.
2. Eemalda õhufiltri kate (A).
3. Eemalda õhufiltri kattelt eelfilter (B). (Joon. 42)
4. Eemalda filtrikorpusest õhufilter (C).
5. Puhasta eelfilter ja õhufilter sooja vee ja seebiga.

Märkus: Pikemat aega kasutatud õhufiltrit ei ole võimalik täiesti puhtaks saada. Vaheta õhufiltrit regulaarselt, vigane õhufilter vaheta alati välja.

6. Puhasta kaitsekatte sisepind harjaga.
7. Aseta õhufilter filtrikorpusesse.
8. Kinnita eelfilter õhufiltri katele.
9. Kinnita õhufiltri kate tootele.

Veotsing

Mootorit pole võimalik käivitada		
Kontrolli	Võimalik põhjus	Lahendus
Starterikutsikad.	Käiviti pörklingid on blokeeritud või kulunud.	Reguleeri või asenda käiviti pörklink/-lingid.
		Puhasta käiviti pörklingi/-linkide ümbrus.
		Pöördu volitatud hooldustöökoja poole.
Kütusepaak.	Vale kütuse tüüp.	Tühjenda kütusepaak ja täida õige kütusega.
Karburaator.	Tühikäigu kiiruse reguleerimine	Reguleeri tühikäigukiirust tühikäigu reguleerimiskruviga.
Säde (sädet ei teki).	Süüteküünal on määratud või märg.	Veendu, et süüteküünal on kuiv ja puhas.
		Puhasta süüteküünal. Veendu, et elektroodide vahe oleks õige.
	Süüteküünla elektroodivahe on vale.	Vaata õiget elektroodi vahet tehnilistest andmetest.
Süüteküünal.	Süüteküünal ei ole tugevalt kinni.	Keera süüteküünal kinni.
		Veendu, et kütusesegu oleks õige.
	Süüteküünla elektroodidel on soovimatut materjali.	Veendu, et õhufilter oleks puhas.

Mootor käivitub, kuid seejärel seiskub		
Kontrolli	Võimalik põhjus	Lahendus
Kütusepaak.	Vale kütuse tüüp.	Tühjenda kütusepaak ja täida õige kütusega.
Karburaator.	Mootor ei tööta tühikäigul õigesti.	Pöördu hooldusesindusse.
Õhufilter	Ummistunud õhufilter.	Puhasta õhufilter.

Transportimine ja hoiustamine

Transportimine ja hoiustamine



HOIATUS: Süttimisohu vältimiseks veendu, et transportimise ega hoiustamise ajal poleks lekkeid ega aure. Veendu, et pole sädemete ega tule ohtu.

- Enne transportimist või pikaajalisele hoiule jätmist tühjenda kütusepaak. Vajuta kütusepumpa veendumaks, et kogu kütus on eemaldatud. Utiliseeri kütus spetsiaalses jäätmejaamas.
- Veendu enne pikaajalist hoiustamist, et toode on puhas, ja tee põhjalik hooldus.
- Eemalda süüteküünlad ja vala silindrisse umbes 15 ml kahetaktilise mootori õli. Pööra mootorit kolm pööret ja pange süüteküünal tagasi kohale.
- Kinnita toode transportimise ajaks turvaliselt sõiduki külge.
- Hoi a toodet kuivas, jahedas ja puhtas kohas, kus on tagatud hea ventilatsioon. Hoi a seadet lastele kättesaamatus kohas.

Tehnilised andmed

Tehnilised andmed

Husqvarna 345BT (BP152HV)	
Mootor	
Silindrimaht, cm ³	51,7
Pöörlemiskiirus tühikäigul, p/min	2800
Katalüsaator	Jah
Süütesüsteem	
Süüteküünal	NGK BPMR7A / Champion RCJ6Y
Elektroodide vahe, mm	0,6–0,7
Süüteküünla jõumoment, Nm	25–30
Kütuse-/määrimissüsteem	
Kütusepaagi maht, l/cm ³	1,0/1000
Mass	
Kaal ilma kütuseta, kg	10,0
Müraemissioon ²⁵	
Helivõimsuse tase, mõõdetud dB(A)	110
Müravõimsustase, garanteeritud L _{WA} dB(A)	113
Müratase ²⁶	
Ekvivalentne müra rõhutase kasutaja kõrvas, mõõdetud vastavalt EN15503 nõuetele, dBA	
Koos puhuriotsakuga (originaal)	101
Vibratsioonitase ²⁷	
EN 15503 järgi mõõdetud käepidemete ekvivalentsed vibratsioonitasemed (a _{h_v,eq}) m/s ²	6,1
Ventilaatori jõudlus	
Max õhukiirus suure kiirusega otsakuga, m/s	98,3
Õhuvool suure kiirusega otsakuga, m ³ /min	13,9

²⁵ Müraemissioon ümbritsevasse keskkonda, mõõdetud helivõimsuse tasemena (L_{WA}) vastavalt EÜ direktiivile 2000/14/EÜ Seadme antud müratase mõõdeti enim müra tekitava originaalsaagimisseadme kasutamisel. Erinevus garanteeritud ja mõõdetud helivõimsustaseme vahel seisneb selles, et direktiivi 2000/14/EÜ alusel hõlmab garanteeritud helivõimsustase ka mõõtmistulemuste dispersiooni ja kõrvalekaldeid sama mudeli erinevate seadmete vahel.

²⁶ Müra rõhutaseme kohta toodud andmete statistiline dispersioon (standardhälve) on 3,0 dB(A).

²⁷ Vibratsioonitaseme kohta toodud andmete tüüpiline statistiline dispersioon (standardhälve) on 1,5 m/s².

EÜ vastavusdeklaratsioon

EÜ vastavusdeklaratsioon

Meie, Husqvarna AB, SE 561 82 Huskvarna, ROOTSI, deklareerime ainuvastutusel, et kirjeldatud toode:

Kirjeldus	Bensiinimootorige puhur-seade / vaakum-puhur-seade
Kaubamärk	Husqvarna
Platvorm/tüüp/mudel	Platvorm BP152HV, mille alla kuulub mudel 345BT.
Partii	Seerianumber alates 2022. aastast.

vastab täielikult järgmistele EÜ direktiividele ja eeskirjadele:

Direktiiv/eeskiri	Kirjeldus
2006/42/EÜ	„masinadirektiiv“
2014/30/EL	„elektromagnetilise ühilduvuse direktiiv“
2000/14/EÜ	„välitingimustes kasutatavate seadmete müra direktiiv“
2011/65/EL	„direktiiv teatavate ohtlike ainete kasutamise piiramise kohta“

Kohalduvad järgmised ühtlustatud standardid ja/või tehnilised spetsifikatsioonid: EN ISO 12100:2010, EN 15503:2009+A2, CISPR 12:2007, EN ISO 14982:2009, EN IEC 63000:2018, EN IEC 63000:2018

Vastavalt direktiivi 2000/14/EÜ lisale V on deklareeritud helitaseme väärtused esitatud selle juhendi tehniliste andmete jaotises.

TÜV Rheinland on teinud Husqvarna AB tellimusel vabatahtliku ekspertiisi ja väljastanud

vastavusdeklaratsiooni AM 50391742 vastavalt EÜ Nõukogu masinadirektiivile 2006/42/EÜ.

See sertifikaat kehtib kõikidele tootel viidatud tootmiskohtadele ja päritoluriikidele.

Tarnitud bensiinimootoriga puhur/puhur-imur vastab näidisele, mis läbis kontrolli.

Ettevõtte Husqvarna AB, SE-561 82 Huskvarna, ROOTSI, nimel.



Pär Martinsson

Tehnilise dokumentatsiooni eest vastutaja



Sisällys

Johdanto.....	119	Vianmäärittäminen.....	127
Turvallisuus.....	120	Kuljetus ja säilytys.....	128
Asentaminen.....	122	Tekniset tiedot.....	129
Käyttö.....	123	EY-vaatimustenmukaisuusvakuutus.....	130
Huolto.....	125		

Johdanto

Tuotekuvaus

Tämä laite on reppupuhallin, jossa on polttoainekäyttöinen moottori.

Kehitämme jatkuvasti tuotteitamme ja pidätämme siksi itsellämme oikeuden muuttaa tuotteiden muotoa ja ulkonäköä ilman ennakoilmoitusta.

Laitteen kuvaus

(Kuva 1)

1. Kaasun säätövipu
2. Kehys
3. Valjaat
4. Moottorin suojus
5. Puhaltimen suojus
6. Ilmansuodatin
7. Ilmansuodatin
8. Käynnistysnarun kahva
9. Polttoainesäiliö
10. Lantiovyö
11. Sytytystulppa
12. Tärinävaimennusjärjestelmä
13. Rikastinvipu
14. Säätökahva
15. Pysäytyskytkin, jossa kaasuliipaisin
16. Turvalliipaisin
17. Putken kulmaosa
18. Kiinnikekokoontapano
19. Joustava letku
20. Ohjausputki
21. Kaapelin kiinnitin
22. Väliputki
23. Puhaltimen suutin
24. Käyttöohjekirja
25. Yhdistelmäavain
26. Polttoaineen ilmauspumppu
27. Suurinopeuksinen suutin
28. Joutokäynnin säätöruuvi
29. Puhallin
30. Jalkalevy

Käyttötarkoitus

Tuotteella puhalletaan lehtiä ja muuta ylimääräistä materiaalia esimerkiksi nurmikoilta, käytäviltä ja asfaltteilta.

Laitteen symbolit

- (Kuva 2) **VAROITUS!** Tämä laite voi olla vaarallinen ja aiheuttaa käyttäjälle tai sivullisille vakavia vahinkoja tai kuoleman. Ole varovainen ja käytä tuotetta oikein.
- (Kuva 3) Lue käyttöohje huolellisesti ja varmista, että ymmärrät sen sisällön, ennen kuin alat käyttää laitetta.
- (Kuva 4) Käytä hyväksytyjä kuulonsuojaimia ja suojalaseja. Jos käyttöympäristö on pölyinen, käytä hengityksensuojainta.
- (Kuva 5) Käytä hyväksytyjä suojakäsineitä käytön ja ylläpitotöiden aikana. Käytä turvajalkineita, joissa on luistamaton pohja. Käytä tukevasta kankaasta valmistettuja vaatteita, jotka peittävät kehon.
- (Kuva 6) Sido pitkät hiukset olkapäiden yläpuolelle.
- (Kuva 7) Älä käytä koruja tai löysiä vaatteita käytön aikana.
- (Kuva 8) Bensiinin ja kaksitahtiöljyn seos.
- (Kuva 9) Polttoaineen ilmauspumppu.
- (Kuva 10) Pidä kaikki kehonosat etäällä kuumista pinnoista.
- (Kuva 11) Älä mene lähelle puhallinpyörää, kun se pyörii.

- (Kuva 12) Rikastin, avoin asento.
- (Kuva 13) Rikastin, suljettu asento.
- (Kuva 14) Joutokäynnin säätöruuvi.
- (Kuva 15) Tämä tuote täyttää voimassa olevien EY-direktiivien vaatimukset.
- (Kuva 16) Tämä tuote täyttää sovellettavissa olevien UK-säädösten vaatimukset.
- (Kuva 17) Melupäästöt ympäristöön eurooppalaisen direktiivin 2000/14/EY ja Uuden Etelä-Walesin lainsäädännön Protection of the Environment Operations (Noise Control) Regulation 2017 -asetuksen mukaisesti. Melupäästöt ilmoitetaan koneen arvokilvessä ja luvussa Tekniset tiedot.

Varo sinkoutuvia esineitä. Sinkoutuvat esineet voivat aiheuttaa vakavia vammoja. Käytä henkilökohtaisia suojavarusteita.

(Kuva 18)

(Kuva 19)

Pidä vähintään 15 metrin turvaetäisyys muihin ihmisiin tai eläimiin.

Tyypikilvessä tai lasermerkinnässä näkyy sarjanumero, jossa **yyyy** on valmistusvuosi ja **ww** on valmistusviikko.

yyyywwxxxx

Huomautus: Muita laitteen symboleita/tarroja tarvitaan muilla markkina-alueilla ilmaisemaan sertifiointivaatimuksia.

Tuotevastuu

Tuotevastuulain mukaisesti emme ole vastuussa tuotteen aiheuttamasta vaurioista, jos

- tuote on korjattu virheellisesti
- tuotteen korjaamiseen on käytetty muita kuin valmistajan omia tai sen hyväksymiä osia
- tuotteessa on muu kuin valmistajan oma tai sen hyväksymä lisävaruste
- tuotetta ei ole korjattu valtuutetussa huoltopisteessä tai hyväksytyllä asiantuntijalla.

Turvallisuus

Turvallisuusmääritelmät

Oheiset määritelmät kertovat huomiosanojen vakavuustason.



VAROITUS: Henkilövahinko.



HUOMAUTUS: Laitteenvaurio.

Huomautus: Nämä tiedot helpottavat laitteen käyttöä.

Yleiset turvaohjeet



VAROITUS: Lue seuraavat varoitusohjeet ennen laitteen käyttämistä.

- Älä tee laitteeseen muutoksia ilman valmistajan lupaa. Käytä aina alkuperäisiä lisävarusteita. Luvattomat muutokset ja/tai hyväksymättömät lisävarusteet voivat aiheuttaa käyttäjälle tai muille henkilöille vakavia vammoja tai kuoleman.

- Älä käytä vaurioitunutta laitetta. Suorita tässä käyttöohjeessa mainitut turvallisuustarkastukset ja ylläpitotyöt. Kaikki muut ylläpitotyöt on annettava hyväksytyyn huoltohenkilöstön tehtäväksi.
- Kaikki huolto- ja korjaustyöt on annettava hyväksytyyn huoltohenkilöstön tehtäväksi. Jos laitteessa on viallinen osa, ota yhteys huoltoliikkeeseen.

Tärinäturvallisuus

Tämä laite on tarkoitettu vain tilapäiseen käyttöön. Laitteen jatkuva tai säännöllinen käyttö voi aiheuttaa valkosormisuutta tai vastaavia tärinän aiheuttamia terveydellisiä ongelmia. Tutki käsiesi ja sormiesi kunto, jos käytät laitetta jatkuvasti tai säännöllisesti. Käänny välittömästi lääkärin puoleen, jos käsissäsi tai sormissasi esiintyy värinmuutoksia, kipua, kihelmöintiä tai ne puuttuvat tai eivät toimi.

Turvallisuusohjeet käyttöä varten



VAROITUS: Lue seuraavat varoitusohjeet ennen laitteen käyttämistä.

- Tämä laite voi olla vaarallinen ja aiheuttaa käyttäjälle tai sivullisille vakavia vahinkoja tai kuoleman. Ole varovainen ja käytä laitetta oikein.
- Tarkasta laite ennen käyttöä. Katso kohta *Huolto sivulla 125*.

- Älä käytä laitetta ollessasi väsynyt tai sairas tai jos olet alkoholin tai muiden huumausainien vaikutuksen alaisena, jolloin näkö-, arviointi- ja koordinaatiokykyisi voivat heiketä.
- Asenna kaikki suojukset ennen käyttöä. Estä sähköiskun vaara varmistamalla, että sytytystulpan suojus ja sytytyskaapeli eivät ole vaurioituneet.
- Älä koskaan koske sytytystulppaan tai -kaapeliin moottorin käydessä.
- Pidä vähintään 15 metrin turvaetäisyys muihin ihmisiin tai eläimiin. Pysäytä laite, jos alle 15 metrin etäisyydelle tulee muita henkilöitä, lapsia tai eläimiä. Osoita laite pois päin muista henkilöistä, eläimistä, avoimista ikkunoista tai muista esineistä.
- Älä anna lasten käyttää konetta. Varmista, että kaikki laitteen käyttäjät lukevat ja ymmärtävät tämän käyttöohjeen sisällön.
- Pidä kädet ja muut esineet poissa puhaltimen kotelosta käytön aikana. Pyörivät osat voivat aiheuttaa vakavia vammoja.
- Älä käytä laitetta, jos ilmanottosäleikköä ei ole asennettu. Varmista aina ennen käyttöä, että ilmanottosäleikkö on asennettu ja ehjä.
- Vapauta hätätilanteessa valjaiden lantiovyö ja rintavyö ja anna laitteen pudota.
- Noudata kansallisia säädöksiä ja direktiivejä.
- Pidä kaikki kehonosat etäällä kuumista pinnoista.
- Liian voimakas tärinä voi vaikuttaa haitallisesti verenkiertoon tai hermojärjestelmään. Ota yhteys lääkäriin, jos sinulla on oireita, kuten tunnottomuutta, tuntoaistien heikkenemistä, kihelmöimistä, pistelyä, kipua, voimien ehtymistä tai ihonvärin muutoksia sormissa, käsissä tai ranteissa.
- Varo sinkoutuvia esineitä. Sinkoutuvat esineet voivat aiheuttaa vakavia vammoja.
- Älä käytä laitetta epäsuotuisissa sääoloissa, kuten sumussa, sateessa, kovassa tuulessa tai liian kylmissä olosuhteissa. Työskentely huonossa säässä voi aiheuttaa väsymistä ja vaarallisia tilanteita.
- Varmista, että pystyt liikkumaan vapaasti ja työskentelemään tukevassa asennossa. Tarkista työalue mahdollisten esteiden, kuten kivien, varalta. Ole varovainen, kun käytät laitetta kaltevalla tasolla.
- Älä aseta laitetta maahan moottorin käydessä.
- Älä käytä laitetta korkeilla tasoilla kuten tikkailla.
- Varmista, että olet aina kuulo-yhteyden etäisyydellä sen varalta, että tapahtuu onnettomuus.
- Varmista, että pakokaasun poistoaukko ei ole tukossa. Pidä esteet vähintään 50 cm:n etäisyydellä pakokaasun poistoaukosta, jotta voit estää laitteen vaurioitumisen.
- Älä käynnistä laitetta sisätiloissa, lähellä herkästi syttyvää materiaalia tai tilassa, jossa ei ole riittävää ilmajärjestystä. Moottorin pakokaasut sisältävät hiilimonoksidia, joka voi aiheuttaa häämyrkytyksen. Moottorin pakokaasut ovat kuumia ja voivat sisältää kipinöitä, jotka voivat aiheuttaa tulipalon.

Henkilökohtainen suojavarustus



VAROITUS: Lue seuraavat varoitusohjeet ennen koneen käyttämistä.

- Käytä hyväksytyjä henkilökohtaisia suojavarusteita, kun käytät konetta. Henkilökohtaiset suojavarusteet eivät poista tapaturmien vaaraa täysin, mutta ne voivat lieventää vammoja. Lisätietoja saat jälleenmyyjältä.
- Käytä hyväksytyjä kuulonsuojaimia. Pitkäaikainen altistuminen melulle saattaa aiheuttaa pysyviä kuulovammoja.
- Käytä hyväksytyjä silmäsuojaimia. Visiiriä käytettäessä on käytettävä myös hyväksytyjä suojalaseja. Hyväksytyillä suojalaseilla tarkoitetaan laseja, jotka täyttävät standardin ANSI Z87.1 (Yhdysvallat) tai EN 166 (EU-maat) vaatimukset.
- Käytä suojakäsineitä käytön ja ylläpitötoiden aikana.
- Käytä turvajalkineita, joissa on luistamaton pohja.
- Käytä tukevasta kankaasta valmistettuja vaatteita, jotka peittävät kehon. Älä käytä koruja tai avokkeniä. Voit vähentää loukkaantumisriskiä käyttämällä vaatteita, jotka ovat vartalonmyötäisiä, mutta jotka eivät rajoita liikkumista. Sido hiukset olkapäiden yläpuolelle, jotta ne eivät joudu pyörivien osien väliin tai takerru oksiin.
- Käytä hengityssuojainta, jos on olemassa pölyvaara.
- Pidä ensiaputarvikkeet lähettyvillä.

Tuotteen turvalaitteet



VAROITUS: Lue seuraavat varoitusohjeet ennen koneen käyttämistä.

- Älä käytä konetta, jos jokin sen turvalaitteista on rikki.
- Tarkasta turvalaitteet säännöllisesti. Katso *Huolto sivulla 125*.
- Jos turvalaitteissa on vikoja, ota yhteyttä Husqvarna-huoltoilikkeeseen.

Äänenvaimentimen tarkistaminen



VAROITUS: Älä käytä laitetta, jos äänenvaimennin on viallinen.



VAROITUS: Äänenvaimennin kuumentuu huomattavasti käytön aikana ja sen jälkeen, myös joutokäyntinopeudella. Käytä suojakäsineitä palovammojen välttämiseksi.



VAROITUS: Äänenvaimentimessa on kemikaaleja, jotka saattavat olla karsinogeenisia. Älä koske vaurioituneeseen äänenvaimentimeen.

- Tarkista äänenvaimennin silmämääräisesti säännöllisesti. Äänenvaimennin pitää äänitason mahdollisimman alhaisena ja ohjaa pakokaasut käyttäjistä pois päin. Katso kohta *Jäähdytysjärjestelmän tarkistus ja puhdistus sivulla 126.*

Tärinänvaimennusjärjestelmän tarkistaminen

1. Varmista, ettei tärinänvaimennuselementeissä ole halkeamia tai vääntymiä.
2. Varmista, että tärinänvaimennuselementit on kiinnitetty oikein moottoriyksikköön ja kahvaosaan.

Katso laitteesi tärinänvaimennusjärjestelmän sijainti kohdasta *Laitteen kuvaus sivulla 119.*

Käynnistys-/pysäytyskytkimen tarkistaminen

1. Moottori sammutetaan käynnistys-/pysäytyskytkimellä.
2. Varmista, että moottori sammuu kokonaan.

Tarkista laitteen käynnistys-/pysäytyskytkimen paikka kohdasta *Laitteen kuvaus sivulla 119.*

Valjaita koskevat turvallisuusohjeet

Käytä aina valjaita, kun käytät konetta. Jos et käytä valjaita, laitteen käyttö ei ole turvallista. Seurauksena voi olla käyttäjän tai muiden henkilöiden loukkaantuminen. Varmista, että lannevyö ja rintavyö on kiinnitetty ja säädetty oikein. On olemassa riski, että avonainen vyö tulee imaistuksi laitteen tuulettimen sisään.

(Kuva 20)

Polttoaineturvallisuus



VAROITUS: Lue seuraavat varoitusohjeet ennen koneen käyttämistä.

- Älä sekoita tai lisää polttoainetta sisätiloissa tai lämmönlähteen läheisyydessä.
- Älä käynnistä laitetta, jos öljyä tai polttoainetta on läikkinnyt laitteen päälle tai ylläsi.
- Älä käynnistä laitetta, jos moottorista vuotaa polttoainetta. Tarkista moottori säännöllisesti polttoainevuotojen varalta.
- Käsittele polttoainetta aina varoen. Polttoaine on syttyvää ja kaasut ovat räjähdysherkkiä, mikä voi aiheuttaa tapaturman tai kuoleman.
- Älä hengitä polttoainehöyryjä, sillä ne voivat aiheuttaa vamman. Varmista, että ilmanvirtaus on riittävä.
- Älä tupakoi polttoaineen tai moottorin lähistöllä.
- Älä sijoita laitetta tai polttoainekannua lähelle lämpimiä esineitä, avotulta, kipinöitä tai sytytysliekkejä.
- Käytä polttoaineen säilytyksessä ja kuljettamisessa aina hyväksytyjä polttoainesäiliöitä.

Turvaohjeet huoltoa varten



VAROITUS: Lue seuraavat varoitusohjeet ennen laitteen käyttämistä.

- Pysäytä moottori, irrota sytytystulppa ja anna moottorin jäähtyä ennen ylläpito- ja asennustoimenpiteitä.
- Tukkeutunut kipinänsammutusverkko saa moottorin ylikuumentumaan, mistä aiheutuu moottorivaurioita.
- Jos kipinänsammutusverkko tukkeutuu usein, se voi olla merkki katalyysaattorin toiminnan heikentymisestä. Ota yhteyttä huoltoliikkeeseen äänenvaimentimen tarkistusta varten.

Asentaminen

Johdanto



VAROITUS: Lue ja sisäistä turvallisuutta käsittelevä luku ennen laitteen asentamista.

Puhaltimen putken ja säätökahvan asentaminen laitteeseen

Huomautus: Voitele putket ja joustava letku, jotta ne on helpompi koota.

1. Kiinnitä joustava letku (A) putken kulmaosaan ja ohjausputkeen (B) kiristimillä (C) ja (D). (Kuva 21)
2. Kiinnitä kahvan pidike (E) ohjausputkeen. Kohdista kahvan pidike ohjausputken laippaan. (Kuva 22)

- Säädä säätökahvan asento sopivaksi turvallista ja asianmukaista työasentoa varten. Kiristä nuppi.
- Kiinnitä kaapeli joustavaan letkuun kaapelin kiinnittimellä. (Kuva 23)
- Kiinnitä väliputki ohjausputkeen. (Kuva 24)
- Kiinnitä puhaltimen suutin väliputkeen.

Huomautus: Puhaltimen suutin voidaan asentaa vain yhdysputkeen.

- Jos haluat lisätä ilmavirtauksen nopeutta, kiinnitä suurinopeuksinen suutin puhaltimen suuttimeen.

Käyttö

Johdanto



VAROITUS: Lue ja sisäistä turvallisuutta käsittelevä luku ennen laitteen käyttöä.



HUOMAUTUS: Älä käytä vesijäähdytteisille ulkolaitamootoreille tarkoitettua kaksitahtiöljyä. Älä käytä nelitahtimootoreille tarkoitettua öljyä.

Polttoaine

Tässä laitteessa on kaksitahtimoottori.



HUOMAUTUS: Vääräntyyppinen polttoaine voi vaurioittaa moottoria. Käytä bensiiniä ja kaksitahtiöljyn seosta.

Bensiiniä ja kaksitahtiöljyn sekoitus

Bensiini, litraa	Kaksitahtiöljy, litraa
	2 % (50:1)
5	0,10
10	0,20
15	0,30
20	0,40

Valmis polttoainesekoitus

- Käytä valmiiksi sekoitettua Husqvarna-alkylaattibensiiniä, sillä se takaa parhaan suorituskyvyn ja pidentää moottorin käyttöikää. Tällainen polttoaine sisältää tavallista polttoainetta vähemmän haitallisia kemikaaleja, mikä vähentää haitallisia pakokaasuja. Tällaisesta polttoaineesta jää vähemmän karstaa polton jälkeen, jolloin moottorin osat pysyvät puhtaampina.



HUOMAUTUS: Kun polttoainetta sekoitetaan pieniä määriä, pienikin mittausvirhe voi vaikuttaa sekoitussuhteeseen suuresti. Mittaa öljymäärä huolellisesti ja varmista, että seoksen suhde on oikea.

Polttoaineen sekoittaminen

Bensiini

- Käytä korkealaatuista lyijytöntä bensiiniä, jossa on enintään 10 % etanolia-



HUOMAUTUS: Älä käytä bensiiniä, jonka oktaaniluku on pienempi kuin 90 RON / 87 AKI. Jos oktaaniluku on pienempi, moottori voi alkaa nakuttaa, mikä vaurioittaa moottoria.

(Kuva 25)

- Lisää puhtaaseen polttoainesäiliöön puolet bensiinin kokonaismäärästä.
- Lisää koko öljymäärä.
- Ravista polttoainesesta.
- Lisää loput bensiinistä säiliöön.
- Ravista polttoainesesta huolellisesti.

Kaksitahtiöljy

- Käytä Husqvarna-kaksitahtiöljyä, sillä se takaa parhaat tulokset ja suorituskyvyn.
- Jos Husqvarna-kaksitahtiöljyä ei ole saatavilla, voidaan käyttää jotakin muuta ilmajäähdytteisille moottoreille tarkoitettua korkealaatuista kaksitahtiöljyä. Kysy huoltoliikkeestä ohjeita oikean öljyn valintaan.



HUOMAUTUS: Sekoita korkeintaan yhden kuukauden polttoaineet kerrallaan.

Polttoainesäiliön täyttö



VAROITUS: Noudata seuraavia turvallisuustoimenpiteitä.

- Sammuta moottori ja anna sen jäähtyä.

2. Pyyhi polttoainesäiliön korkin ympäristö puhtaaksi. (Kuva 26)
3. Ravista kannua ja varmista, että polttoaine on sekoittunut kokonaan.
4. Vapauta polttoainesäiliöstä painetta avaamalla polttoainesäiliön korkki hitaasti.
5. Täytä polttoainesäiliö.



HUOMAUTUS: Varmista, että polttoainesäiliössä ei ole liikaa polttoainetta. Polttoaine laajenee lämmitessään.

6. Kiristä polttoainesäiliön korkki tiukasti.
7. Puhdista polttoaineroiskeet laitteen päältä ja ympäriltä.
8. Siirrä laite vähintään 3 metrin päähän polttoaineen lisäämis- ja säilytyspaikalta ennen käynnistämistä.

Huomautus: Laitteen polttoainesäiliön paikka kerrotaan kohdassa *Laitteen kuvaus sivulla 119*.

Kylmän moottorin käynnisty



VAROITUS: Ilma vapautuu heti, kun moottori käynnistyy, vaikka se kävisi joutokäynnillä. Älä päästä ketään seisomaan puhaltimen tai puhallusputken lähelle.

1. Jos moottori käynnistetään kylmänä, siirrä rikastinvipu (A) suljettuun rikastusasentoon. Katso kohta *Laitteen symbolit sivulla 119*. (Kuva 27)
2. Paina polttoaineen ilmauspumpua (B) yhä uudelleen vähintään 10 kertaa, kunnes se alkaa täytyä polttoaineella. Polttoaineen ilmauspumpua ei tarvitse täyttää kokonaan.
3. Käännä kaasuliipaisin nopean joutokäynnin asentoon. Kohdista kaasun säätövivun ja säätökahvan ohjausmerkit. (Kuva 28)
4. Aseta laite tasaiselle alustalle maahan.
5. Pidä laitteesta kiinni vasemmalla kädellä ja aseta jalkasi jalkakalvoille. (Kuva 29)
6. Vedä käynnistysnarun kahvaa hitaasti oikealla kädelläsi, kunnes tunnet vastusta.

Huomautus: Älä vedä käynnistysnarun kahvaa loppuun asti, äläkä päästä irti käynnistysnarun kahvasta.

7. Vedä käynnistysnarun kahvaa nopeasti oikealla kädelläsi enintään 6 kertaa, kunnes moottori käynnistyy tai yrittää käynnistyä. Jos moottori käynnistyy, siirrä rikastinvipu vähitellen avoimeen asentoon ja jatka vaiheeseen 11. Jos moottori ei käynnisty, jatka vaiheeseen 9.
8. Kun moottori yrittää käynnistyä, siirrä rikastinvipu vähitellen avoimeen asentoon.

9. Vedä käynnistysnarun kahvaa nopeasti oikealla kädelläsi enintään 6 kertaa, kunnes moottori käynnistyy.



Huomautus: Jos moottori ei käynnisty, toista käynnistysohjeet vaiheesta 1 alkaen.

10. Anna moottorin käydä 30 sekuntia.
11. Säädä kaasuliipaisin joutokäyntinopeudelle. (Kuva 30)
12. Säädä puhallusnopeutta turvaliipaisimella. Katso kohta *Turvaliipaisimen käyttö sivulla 124*.

Lämpimän moottorin käynnisty

- Jos ympäristön lämpötila on alle 32 °C, käytä samaa käynnistysmenetelmää kuin kohdassa *Kylmän moottorin käynnisty sivulla 124*, mutta älä aseta rikastinvipua suljettuun rikastusasentoon.
- Jos ympäristön lämpötila on yli 32 °C, käytä samaa käynnistysmenetelmää kuin kohdassa *Kylmän moottorin käynnisty sivulla 124*.

Turvaliipaisimen käyttö

- Voit lisätä puhallusnopeutta käytön aikana painamalla turvaliipaisinta, kunnes laite saavuttaa oikean nopeuden. (Kuva 31)
- Jos haluat pienentää puhallusnopeutta käytön aikana, vapauta turvaliipaisin, kunnes laite saavuttaa oikean nopeuden.

Moottorin käynnistäminen polttoaineen ollessa liian kuumaa

Jos laite ei käynnisty, polttoaine saattaa olla liian kuumaa.

Huomautus: Käytä aina uutta polttoainetta ja vähennä työskentelyaikaa lämpimällä säällä.

1. Aseta laite viileään paikkaan pois suorasta auringonvalosta.
2. Anna laitteen jäähtyä vähintään 20 minuutin ajan.
3. Paina polttoaineen ilmauspumpua jatkuvasti 10–15 sekunnin ajan.
4. Noudata kylmän moottorin käynnistysmenetelyä. Katso *Kylmän moottorin käynnisty sivulla 124*.

Laitteen käyttö

- Käytä laitetta tavallisten työtuntien puitteissa. Noudata paikallisia säädöksiä.
- Vähennä laitteen osien määrää ja valitse työtehtävään sopiva nopeus. Käytä kaasua alimmassa mahdollisessa asennossa, jotta voit estää tarpeettoman melun ja pölyn muodostumisen.
- Pidä puhaltimen suutin lähellä maata.

Huomautus: Husqvarna suosittelee käyttämään puhaltimen suuttimen jatketta pisimmillään.

- Huomioi tuulen suunta ja käytä laitetta tuulen suuntaan.
- Poista ylimääräinen materiaali maasta sopivilla puutarhatyökaluilla.
- Jos alue on pölyinen, kastele se suihkuttamalla. Näin työaika lyhenee.
- Aseta laite käytön jälkeen säilytykseen pystyasentoon.

Laitteen pysäyttäminen



HUOMAUTUS: Älä pysäytä laitetta, kun se käy täydellä käyntinopeudella.

1. Paina pysäytyskytkintä. (Kuva 32)

Huomautus: Kun laite pysähtyy, kuulet nakuttavan äänen. Tämä on tyypillistä, eikä se ole merkki viallisesta laitteesta.

Valjaiden säätäminen

1. Pue tuotteen valjaat.
2. Aseta lantiovyö vyötärölle ja kiinnitä vyösolki lantiohinaan. (Kuva 33)
3. Kiristä lantiovyön hihna. (Kuva 34)
4. Kiinnitä vyösolki rintavyöhön. (Kuva 35)
5. Säädä rintavyön asento. (Kuva 36)
6. Kiristä rintakehän yli menevä hihna. (Kuva 37)
7. Kiristä olkahihnoja niin, että laite on tiiviisti kehoasi vasten. (Kuva 38)
8. Kiristä nostimen hihnat. (Kuva 39)

Huolto

Johdanto



VAROITUS: Lue ja sisäistä turvallisuutta käsittelevä luku ennen laitteen huoltamista.

Huoltokaavio

Huolto	Päivittäin	Viikoittain	Kuukausittain
Puhdista ulkopinnat.	X		
Varmista, että säätökahva toimii oikein.	X		
Varmista, että käynnistys-/pysäytyskytkin toimii oikein. Katso <i>Käynnistys-/pysäytyskytkimen tarkistaminen sivulla 122</i> .	X		
Tarkista moottori, polttoainesäiliö ja polttoaineletkut vuotojen varalta. Tarkista polttoaineensuodatin likaantumisen varalta. Vaihda polttoaineensuodatin tarvittaessa.	X		
Puhdista ilmansuodatin. Vaihda ilmansuodatin tarvittaessa.	X		
Kiristä mutterit ja ruuvit.	X		
Tarkista ilmanottoaukko ja varmista, että se ei ole tukossa.	X		
Tarkista käynnistin ja käynnistysnaru vaurioiden varalta.		X	
Tarkista tärinänvaimennuselementit vaurioiden, halkeamien ja vääntymien varalta. Tarkista, että tärinänvaimennuselementit on asennettu oikein.		X	
Tarkista sytytystulppa. Katso <i>Sytytystulpan tarkistus sivulla 126</i> .		X	
Puhdista jäähdytysjärjestelmä.		X	
Puhdista kaasuttimen ulkopinta ja sen ympäristö.		X	

Huolto	Päivittäin	Viikoittain	Kuukausittain
Puhdista polttoainesäiliö.			X
Tarkista kaikki kaapelit ja liitännät.			X
Tarkista ja puhdista äänenvaimentimen kipinäsammutusverkko (laitteet, joissa ei ole katalysaattoria).		X	
Tarkista ja puhdista äänenvaimentimen kipinäsammutusverkko (laitteet, joissa on katalysaattori).			X
Tarkista sytytystulppa. Vaihda tarvittaessa.			X

Joutokäyntinopeuden säätö

1. Varmista, että ilmansuodatin on puhdas ja ilmansuodattimen kansi on paikallaan.
2. Säädä joutokäyntinopeus joutokäynnin säätöruuvilla. Tarkista laitteen joutokäynnin säätöruuvien paikka kohdasta *Laitteen kuvaus sivulla 119*.

Sytytystulpan tarkistus



HUOMAUTUS: Käytä suositeltua sytytystulppaa. Katso *Tekniset tiedot sivulla 129*. Väärä sytytystulppa voi aiheuttaa laitevaurion.

1. Sammuta moottori ja anna laitteen jäähtyä.
2. Puhdista sytytystulppa, jos se on likainen.
3. Tarkista, että kärkiväli on oikea. Katso kohta *Tekniset tiedot sivulla 129*. (Kuva 40)
4. Vaihda sytytystulppa kuukausittain tai tarpeen mukaan useammin.

Äänenvaimentimen kunnossapito



HUOMAUTUS: Jos kipinäsammutusverkko tukkeutuu usein, se voi olla merkki katalysaattorin toiminnan heikentymisestä. Ota yhteyttä huoltoliikkeeseen äänenvaimentimen tarkistusta varten. Tukkeutunut kipinäsammutusverkko saa laitteen ylikuumenemaan, mistä seuraa sylinteri- ja mäntävaurioita.



HUOMAUTUS: Jos kipinäsammutusverkko on vioittunut, se on vaihdettava. Älä käytä laitetta, jos äänenvaimentimen kipinäsammutusverkko puuttuu tai on viallinen.

- Puhdista äänenvaimentimen kipinäverkko. Käytä teräsharjaa. (Kuva 41)

- Anna huoltoliikkeen vaihtaa tai huoltaa äänenvaimennin ja kipinäsammutusverkko 50 käyttötunnin jälkeen.

Jäähdytysjärjestelmän tarkistus ja puhdistus

Jäähdytysjärjestelmään kuuluvat sylinterin jäähdytysrivat ja ilmanottosäleikkö.

1. Pysäytä moottori.
2. Varmista, ettei jäähdytysjärjestelmä ole likainen tai tukossa. Puhdista ilmanottosäleikkö ja jäähdytysrivat tarvittaessa.



HUOMAUTUS: Likainen tai tukkeutunut jäähdytysjärjestelmä voi nostaa moottorin lämpötilaa, mikä voi vaurioittaa laitetta. Tukkeutunut ilmanottosäleikkö pienentää puhallustehoa.

3. Tarkista jäähdytysjärjestelmä vaurioiden varalta. Varmista, että osat on kiinnitetty kunnolla laitteeseen.

Ilmansuodattimen puhdistaminen



HUOMAUTUS: Älä käytä konetta ilman ilmansuodatinta tai jos ilmansuodatin on vaurioitunut. Ilmassa leijuva pöly voi vaurioittaa moottoria.

1. Siirrä rikastinvipu suljettuun asentoon.
2. Irrota ilmansuodattimen kansi (A).
3. Irrota esisuodatin (B) ilmansuodattimen kannesta. (Kuva 42)
4. Irrota ilmansuodatin (C) suodattimen kehyksestä.
5. Puhdista esisuodatin ja ilmansuodatin lämpimällä vedellä ja saippualla.

Huomautus: Pitkään käytössä ollut ilmansuodatinta ei voi koskaan puhdistaa täysin puhtaaksi. Vaihda ilmansuodatin säännöllisin

väliajoin, ja vaihda viallinen ilmansuodatin aina uuteen.

6. Puhdista ilmansuodattimen kannen (A) sisäpinta harjalla.

7. Asenna ilmansuodatin suodattimen kehikseen.

8. Asenna esisuodatin ilmansuodattimen kanteen.

9. Kiinnitä ilmansuodattimen kansi laitteeseen.

Vianmääritys

Moottori ei käynnisty		
Tarkista	Mahdollinen syy	Ratkaisu
Kytöntäkyntet	Tukkeutuneet tai kuluneet käynnistimen kynnet.	Säädä tai vaihda käynnistimen kynnet.
		Puhdista käynnistimen kynsien ympärillä oleva alue.
		Ota yhteyttä valtuutettuun huoltoliikkeeseen.
Polttoainesäiliö	Väärä polttoainetyyppi.	Tyhjennä polttoainesäiliö ja täytä oikealla polttoaineella.
Kaasutin.	Joutokäynnin säätö.	Säädä joutokäynti joutokäynnin säätöruuvilla.
Sytytys (ei kipinää).	Sytytystulppa on likainen tai märkä.	Varmista, että sytytystulppa on kuiva ja puhdas.
	Sytytystulpan kärkiväli on väärä.	Puhdista sytytystulppa. Tarkista, että kärkiväli on oikea. Tarkasta oikea kärkiväli teknisistä tiedoista.
Sytytystulppa	Sytytystulppa on löysä.	Kiristä sytytystulppa.
	Sytytystulppien kärjissä on ylimääräistä materiaalia.	Varmista, että polttoaineseos on oikea. Varmista, että ilmansuodatin on puhdas.

Moottorin käynnisty mutta sammuu uudelleen		
Tarkista	Mahdollinen syy	Ratkaisu
Polttoainesäiliö	Väärä polttoainetyyppi.	Tyhjennä polttoainesäiliö ja täytä oikealla polttoaineella.
Kaasutin.	Moottori ei toimi oikein joutokäyntinopeudella.	Ota yhteyttä huoltoliikkeeseen.
Ilmansuodatin	Ilmansuodatin tukossa.	Puhdista ilmansuodatin.

Kuljetus ja säilytys



VAROITUS: Vältä tulipalon vaara varmistamalla, että laitteen kuljetuksen tai varastoinnin aikana ei ilmene vuotoja tai höyryjä. Varmista, että kipinöintivaaraa tai tulipalon vaaraa ei ole.

- Tyhjennä polttoainesäiliö ennen kuljetusta tai pitkäaikaista säilytystä. Varmista, että polttoaine on poistunut kokonaan laitteesta, painamalla polttoaineen ilmauspumpua. Hävitä polttoaine viemällä se asianmukaiseen keräyspisteeseen.
- Varmista, että laite on puhdistettu ja huollettu täysin ennen pitkäaikaista säilytystä.
- Irrota sytytystulppa ja kaada noin 15 ml kaksitahtiöljyä sylinteriin. Käännä laitetta 3 kertaa ja asenna sytytystulppa uudelleen.
- Kiinnitä laite tukevasti ajoneuvoon kuljetuksen ajaksi.
- Säilytä laitetta kuivassa, viileässä ja siistissä paikassa, jossa on hyvä ilmavirtaus. Pidä kone poissa lasten ulottuvilta.

Tekniset tiedot

Tekniset tiedot

	Husqvarna 345BT (BP152HV)
Moottori	
Sylinteritilavuus, cm ³	51,7
Joutokäyntinopeus, r/min	2800
Katalysaattori	Kyllä
Sytytysjärjestelmä	
Sytytystulppa	NGK BPMR7A/Champion RCJ6Y
Kärkiväli, mm	0,6–0,7
Sytytystulpan kiristysmomentti, Nm	25–30
Polttoaine-/voitelujärjestelmä	
Polttoainesäiliön tilavuus, l/cm ³	1,0/1 000
Paino	
Paino ilman polttoainetta, kg	10,0
Melupäästöt ²⁸	
Äänen tehotaso, mitattu dB(A)	110
Äänen tehotaso, taattu L _{WA} dB(A)	113
Äänitasot ²⁹	
Vastaava äänenpainetaso käyttäjän korvan tasalla mitattuna standardin EN15503 mukaan, dB(A)	
Varustettu puhaltimen suuttimella (alkuperäinen)	101
Tärinätasot ³⁰	
Kahvojen vastaavat tärinätasot (a _{h_v,eq}) mitattuna standardin EN 15503 mukaan, m/s ²	6.1
Puhallusteho	
Ilman suurin nopeus, suurinopeuksinen suutin, m/s	98,3
Ilmavirtaus ilman suurinopeuksista suutinta, m ³ /min	13,9

²⁸ Melupäästö ympäristöön äänitehona (L_{WA}) EY-direktiivin 2000/14/EY mukaisesti mitattuna. Laitteen ilmoitettu äänentehotaso on mitattu käyttäen alkuperäistä terälaitetta, joka antaa suurimman äänentehotason. Taatun ja mitatun äänitehon erona on se, että taattu ääniteho sisältää myös mitatun tuloksen hajonnan ja vaihtelun saman mallin eri laitteiden välillä direktiivin 2000/14/EY mukaisesti.

²⁹ Äänenpainetasoista ilmoitettujen tietojen tyypillinen tilastollinen hajonta (keskihajonta) on 3,0 dB(A).

³⁰ Tärinätasolle ilmoitetuissa tiedoissa tyypillinen tilastollinen hajonta (vakiopoikkeama) on 1,5 m/s².

EY-vaatimustenmukaisuusvakuutus

EU:n vaatimustenmukaisuusvakuutus

Husqvarna AB, SE 561 82 Huskvarna, RUOTSI,
vakuuttaa täten, että oheinen laite:

Pär Martinsson

Teknisestä dokumentaatiosta vastaava edustaja



Kuvaus	Bensiinikäyttöinen puhallin/puhallin-imuri
Tuotemerkki	Husqvarna
Alusta / Tyyppi / Malli	AlustaBP152HV, edustaa mallia 345BT.
Erä	Sarjanumero 2022 alkaen.

vastaa täysin seuraavien EU:n direktiivien ja asetusten vaatimuksia:

Direktiivi/asetus	Kuvaus
2006/42/EY	Konedirektiivi
2014/30/EU	EMC-direktiivi
2000/14/EY	Melupäästädirektiivi
2011/65/EU	Tiettyjen vaarallisten aineiden käytön rajoittamisesta annettu direktiivi

Asiassa sovelletaan seuraavia yhdenmukaistettuja standardeja ja/tai teknisiä määräyksiä: EN ISO 12100:2010, EN 15503:2009+A2, CISPR 12:2007, EN ISO 14982:2009, EN IEC 63000:2018, EN IEC 63000:2018

Ilmoitetut meluarvot on annettu direktiivin 2000/14/EY liitteen V mukaisesti tämän käyttöohjekirjan teknisissä tiedoissa.

TÜV Rheinland on suorittanut Husqvarna AB:lle vapaaehtoisen tyyppitarkastuksen ja tuottanut näin Euroopan parlamentin ja neuvoston konedirektiivin 2006/42/EY mukaisen vaatimustenmukaisuusvakuutuksen AM 50391742.

Vakuutus pätee kaikkiin valmistuspaikkoihin ja -maihin tuotteessa ilmoitettujen tietojen mukaisesti.

Oheinen bensiinikäyttöinen puhallin/puhallin-imuri on tarkistettun mallikappaleen mukainen.

Yrityksen Husqvarna ABSE-561 82 Huskvarna, RUOTSI, puolesta

Sommaire

Introduction.....	131	Dépannage.....	139
Sécurité.....	132	Transport et stockage.....	140
Montage.....	135	Caractéristiques techniques.....	141
Utilisation.....	135	Déclaration de conformité CE.....	142
Entretien.....	137		

Introduction

Description du produit

Ce produit est un souffleur dorsal équipé d'un moteur thermique.

Nous travaillons continuellement au développement de ses produits et nous réservons le droit d'en modifier, entre autres, la conception et l'aspect sans préavis.

Aperçu du produit

(Fig. 1)

1. Levier de commande d'accélération
2. Cadre
3. Harnais
4. Couvercle du moteur
5. Couvercle du ventilateur
6. Grille d'entrée d'air
7. Filtre à air
8. Poignée du câble du démarreur
9. Réservoir de carburant
10. Ceinture
11. Bougie
12. Système anti-vibrations
13. Starter
14. Poignée de commande
15. Bouton d'arrêt avec commande d'accélération
16. Gâchette d'accélération
17. Angle du tuyau
18. Dispositif de serrage
19. Tuyau flexible
20. Tube de manoeuvre
21. Collier du câble
22. Tube intermédiaire
23. Buse de souffleur
24. Manuel de l'opérateur
25. Clé mixte
26. Poire de la pompe à carburant
27. Buse haute vitesse
28. Vis de ralenti
29. Ventilateur
30. Repose-pied

Utilisation prévue

Utilisez le produit pour souffler les feuilles et autres matériaux indésirables sur des surfaces telles que les pelouses, les allées et les routes goudronnées.

Symboles concernant le produit

(Fig. 2)

AVERTISSEMENT ! ce produit peut être dangereux et causer des blessures graves, voire mortelles, à l'opérateur ou à d'autres personnes. Soyez prudent et utilisez le produit correctement.

(Fig. 3)

Lisez attentivement le manuel d'utilisation et assurez-vous de bien comprendre les instructions avant utilisation.

(Fig. 4)

Utilisez des protège-oreilles et des protections pour les yeux homologués. Si l'environnement est poussiéreux, utilisez un masque respiratoire.

(Fig. 5)

Portez des gants de protection homologués pendant l'utilisation et l'entretien. Utilisez des bottes de protection ou des chaussures équipées de semelles antidérapantes. Utilisez des vêtements en tissu résistant couvrant tout le corps.

(Fig. 6)

Assurez-vous que les cheveux longs sont attachés au-dessus des épaules.

(Fig. 7)

Ne portez pas de bijoux ou de vêtements amples pendant l'utilisation.

(Fig. 8)

Mélange d'essence et d'huile deux temps.

(Fig. 9)

Poire de la pompe à carburant.

(Fig. 10)

Maintenez toutes les parties du corps à l'écart des surfaces chaudes.

- (Fig. 11) Ne vous approchez pas trop près de la turbine lorsqu'elle tourne.
- (Fig. 12) Starter, position ouverte.
- (Fig. 13) Starter, position fermée.
- (Fig. 14) Vis de réglage du ralenti.
- (Fig. 15) Ce produit est conforme aux directives CE en vigueur.
- (Fig. 16) Ce produit est conforme aux directives en vigueur au Royaume-Uni.
- (Fig. 17) Émissions sonores dans l'environnement selon la directive européenne 2000/14/CE et la législation de la Nouvelle-Galles du Sud « Protection of the Environment Operations (Noise Control) Regulation 2017 ». L'étiquette de la machine et le chapitre Caractéristiques techniques contiennent des données sur les émissions sonores.

- (Fig. 18) Attention aux objets projetés. Les objets projetés peuvent engendrer de graves blessures. Utilisez un équipement de protection personnelle.

(Fig. 19)

Maintenez une distance de sécurité d'au moins 15 m par rapport aux personnes ou aux animaux.

La plaque signalétique ou l'impression au laser indiquent le numéro de série. **yyyy** désigne l'année de production et **ww** désigne la semaine de production.

yyyywwxxxx

Remarque: Les autres symboles/autocollants présents sur le produit concernent des exigences de certification spécifiques à d'autres zones commerciales.

Responsabilité

Conformément à la loi sur la responsabilité du fait des produits, nous déclinons toute responsabilité pour tout dommage causé par notre produit si :

- le produit n'est pas correctement réparé ;
- le produit est réparé avec des pièces qui ne proviennent pas du fabricant ou qui ne sont pas homologuées par le fabricant ;
- le produit est équipé d'un accessoire qui ne provient pas du fabricant ou qui n'est pas homologué par le fabricant ;
- le produit n'est pas réparé par un centre d'entretien agréé ou par une autorité homologuée.

Sécurité

Définitions de sécurité

Les définitions ci-dessous indiquent le niveau de gravité pour chaque mention d'avertissement.



AVERTISSEMENT: Blessures aux personnes.



REMARQUE: Dommages au produit.

Remarque: Cette information facilite l'utilisation du produit.

Instructions générales de sécurité



AVERTISSEMENT: Lisez les instructions qui suivent avant d'utiliser le produit.

- Ne modifiez pas le produit sans l'approbation du fabricant et utilisez toujours des accessoires d'origine. Toute modification et/ou tout accessoire non approuvé peuvent entraîner des blessures graves, voire mortelles, pour l'opérateur ou d'autres personnes.
- N'utilisez pas de produit endommagé. Effectuez les contrôles de sécurité et l'entretien indiqués dans ce manuel d'utilisation. Toutes les autres tâches d'entretien doivent être effectuées par du personnel d'entretien agréé.
- Toutes les opérations d'entretien et de réparation doivent être effectuées par du personnel d'entretien agréé. Si une partie du produit est défectueuse, veuillez contacter votre atelier d'entretien.

Précautions relatives aux vibrations

Ce produit est destiné à une utilisation occasionnelle uniquement. L'utilisation quotidienne ou régulière du produit peut provoquer le syndrome des « doigts blancs » ou entraîner des problèmes médicaux équivalents causés par les vibrations. Examinez l'état de vos mains et de vos doigts si vous utilisez le produit quotidiennement ou régulièrement. Si vos

ains ou vos doigts présentent une décoloration, sont douloureux ou engourdis, arrêtez de travailler et contactez immédiatement un médecin.

Instructions de sécurité pour le fonctionnement



AVERTISSEMENT: Lisez les instructions qui suivent avant d'utiliser le produit.

- ce produit peut être dangereux et causer des blessures graves, voire mortelles, à l'opérateur ou à d'autres personnes. Soyez prudent et utilisez le produit correctement.
- Inspectez le produit avant toute utilisation. Reportez-vous à la section *Entretien à la page 137*.
- N'utilisez pas l'appareil si vous êtes fatigué ou malade, ou si vous êtes sous l'emprise de l'alcool ou de drogues qui peuvent diminuer votre vision, votre jugement ou votre coordination.
- Installez tous les couvercles et toutes les protections avant utilisation. Pour éviter tout risque d'électrocution, assurez-vous que le capuchon de bougie et le câble d'allumage ne sont pas endommagés.
- Ne touchez jamais la bougie ou le câble d'allumage lorsque le moteur tourne.
- Maintenez une distance de sécurité d'au moins 15 m par rapport aux personnes ou aux animaux. Si des personnes, des enfants ou des animaux s'approchent à moins de 15 m, arrêtez le produit. Ne dirigez pas le produit vers des personnes, des animaux, des fenêtres ouvertes et d'autres objets.
- Ne laissez pas des enfants utiliser la machine. Assurez-vous que tous les opérateurs lisent et comprennent le contenu de ce manuel d'utilisation.
- Gardez les mains ou tout autre objet à l'écart du carter de souffleur pendant le fonctionnement. Les pièces en rotation peuvent causer de graves blessures.
- N'utilisez pas le produit si la prise d'air n'est pas installée. Avant utilisation, assurez-vous toujours que la prise d'air est installée et qu'elle n'est pas endommagée.
- En cas d'urgence, détachez les ceintures de taille et de poitrine du harnais et laissez tomber le produit.
- Respectez les réglementations et directives nationales.
- Maintenez toutes les parties du corps à l'écart des surfaces chaudes.
- Des vibrations trop importantes peuvent endommager la circulation ou le système nerveux. Si vous avez des symptômes, par exemple un engourdissement, une perte de sensations, des picotements, des coups de pied, une douleur, une perte de force ou des changements de couleur de peau au niveau des doigts, des mains ou des poignets, parlez-en à votre médecin.

- Attention aux objets projetés. Les objets projetés peuvent engendrer de graves blessures.
- N'utilisez pas le produit par mauvais temps : brouillard, pluie, vent violent ou grand froid. Travailler par mauvais temps peut provoquer une fatigue et des conditions dangereuses.
- Assurez-vous que vous pouvez vous déplacer et garder une position stable. Effectuer un contrôle de la zone de travail pour détecter d'éventuels obstacles, par exemple des pierres. Soyez très prudent lors de l'utilisation du produit sur une pente.
- Ne laissez pas la machine au sol lorsque le moteur tourne.
- N'utilisez pas le produit à partir de positions élevées, par exemple sur une échelle.
- Assurez-vous d'être toujours entendu en cas d'accident.
- Assurez-vous que la sortie des gaz d'échappement n'est pas obstruée. Pour éviter d'endommager le produit, maintenez les obstacles à une distance minimale de 50 cm de la sortie des gaz d'échappement.
- Ne démarrez pas le produit dans un local clos, où il y a une mauvaise circulation d'air ou à proximité de matériaux inflammables. Les gaz d'échappement du moteur contiennent du monoxyde de carbone pouvant provoquer une intoxication. Les gaz d'échappement du moteur sont très chauds et peuvent contenir des étincelles pouvant provoquer un incendie.

Équipement de protection individuel



AVERTISSEMENT: Lisez les instructions qui suivent avant d'utiliser le produit.

- Utilisez un équipement de protection individuel homologué lorsque vous utilisez le produit. L'équipement de protection individuel ne protège pas complètement des blessures, mais il diminue la gravité des blessures. Pour davantage d'informations, contactez votre revendeur.
- Utilisez des protège-oreilles homologués. Une exposition prolongée au bruit risque de causer des lésions auditives permanentes.
- Utilisez des protections pour les yeux homologuées. L'usage d'une visière doit toujours s'accompagner du port de lunettes de protection homologuées. Les lunettes de protection homologuées doivent être conformes aux normes ANSI Z87.1 (États-Unis) ou EN 166 (pays de l'UE).
- Utilisez des gants de protection pendant l'utilisation et l'entretien.
- Utilisez des bottes de protection ou des chaussures équipées de semelles antidérapantes.
- Utilisez des vêtements en tissu résistant couvrant tout le corps. N'utilisez pas de bijoux ou de chaussures ouvertes. Pour réduire le risque de blessures, vos vêtements doivent être près du corps,

mais ne doivent pas limiter vos mouvements. Placez vos cheveux au-dessus de vos épaules pour éviter qu'ils ne pénètrent dans les parties rotatives ou qu'ils ne s'accrochent aux branches.

- Utilisez une protection respiratoire lorsqu'il y a un risque de présence de poussières.
- Conservez l'équipement de premiers secours à proximité.

Dispositifs de sécurité sur le produit



AVERTISSEMENT: Lisez les instructions qui suivent avant d'utiliser le produit.

- N'utilisez pas un produit avec des dispositifs de sécurité défectueux.
- Contrôlez les dispositifs de sécurité régulièrement. Reportez-vous à la section *Entretien à la page 137*.
- Si les dispositifs de sécurité sont défectueux, parlez-en à votre atelier d'entretien Husqvarna.

Pour contrôler le silencieux



AVERTISSEMENT: N'utilisez pas un produit un silencieux en mauvais état.



AVERTISSEMENT: Le silencieux devient très chaud pendant et après utilisation, même au régime de ralenti. Utilisez des gants de protection pour éviter des brûlures.



AVERTISSEMENT: L'intérieur du silencieux contient des produits chimiques pouvant être cancérigènes. Ne touchez pas le silencieux s'il est endommagé.

- Effectuez régulièrement un contrôle visuel du silencieux. Le silencieux est conçu pour réduire au maximum le niveau sonore et rejeter les gaz d'échappement loin de l'utilisateur. Reportez-vous à la section *Pour inspecter et nettoyer le système de refroidissement à la page 139*.

Pour contrôler le système anti-vibrations

1. Assurez-vous que les dispositifs anti-vibrations ne sont pas fissurés ni déformés.
2. Assurez-vous que les dispositifs anti-vibrations sont fixés correctement sur le moteur et les poignées.

Reportez-vous à la section *Aperçu du produit à la page 131* pour connaître l'emplacement du système anti-vibrations sur votre produit.

Pour contrôler l'interrupteur marche/arrêt

1. Utilisez l'interrupteur marche/arrêt pour arrêter le moteur.
2. Assurez-vous que le moteur s'arrête complètement.

Pour connaître l'emplacement de l'interrupteur marche/arrêt sur votre produit, reportez-vous à *Aperçu du produit à la page 131*.

Sécurité du harnais

Utilisez toujours le harnais lorsque vous utilisez la machine. Sans le harnais, vous ne pouvez pas utiliser le produit en toute sécurité. Cela induit un risque de blessures pour l'utilisateur ou les autres personnes présentes. Assurez-vous que la ceinture et la sangle de poitrine sont attachées et réglées correctement. Une ceinture non fermée risquerait d'être aspirée dans le ventilateur du produit.

(Fig. 20)

Sécurité carburant



AVERTISSEMENT: Lisez les instructions qui suivent avant d'utiliser le produit.

- Ne mélangez ni n'ajoutez pas le carburant à l'intérieur ou à proximité d'une source de chaleur.
- Ne démarrez pas le produit si vous avez renversé de l'huile ou du carburant sur le produit ou sur vous.
- Ne démarrez pas le produit si le moteur présente une fuite de carburant. Vérifiez régulièrement s'il y a des fuites de carburant dans le moteur.
- Faites toujours attention avec le carburant. Le carburant est inflammable et ses vapeurs sont explosives. Il peut causer des blessures graves, voire mortelles.
- Ne respirez pas les vapeurs de carburant, elles peuvent causer des blessures. Assurez-vous que la ventilation est suffisante.
- Ne fumez pas à proximité du carburant ou du moteur.
- Ne placez pas le produit ni le bidon de carburant dans un espace où il y a des objets chauds, une flamme nue, des étincelles ou une veilleuse d'allumage.
- Utilisez uniquement des récipients homologués pour le transport et le stockage de carburant.

Consignes de sécurité pour l'entretien



AVERTISSEMENT: Lisez les instructions qui suivent avant d'utiliser le produit.

- Arrêtez le moteur, déposez la bougie et laissez refroidir le moteur avant d'effectuer l'entretien et le montage.

- Le blocage du pare-étincelles entraîne la surchauffe et la détérioration du moteur.
- Si le pare-étincelles est fréquemment obstrué, cela peut indiquer que les performances du pot

catalytique sont dégradées. Faites contrôler le silencieux par votre atelier d'entretien.

Montage

Introduction



AVERTISSEMENT: Assurez-vous de lire et de comprendre le chapitre dédié à la sécurité avant de monter l'appareil.

Pour assembler le tube du souffleur et la poignée de commande sur le produit

Remarque: Lubrifiez les tubes et le tuyau flexible pour faciliter leur montage.

1. Fixez le tuyau flexible (A) à l'angle du tuyau et au tuyau de commande (B) à l'aide des colliers (C) et (D). (Fig. 21)
2. Fixez le support de poignée (E) au tuyau de commande. Alignez le support de poignée sur la bride du tuyau de commande. (Fig. 22)

3. Réglez la position de la poignée de commande sur une position de travail sûre et adéquate. Serrez la manette.
4. Fixez le câble sur le tuyau flexible à l'aide des serre-câbles. (Fig. 23)
5. Fixez le tuyau intermédiaire sur le tuyau de commande. (Fig. 24)
6. Fixez la buse du souffleur sur le tuyau intermédiaire.

Remarque: La buse du souffleur peut uniquement être connectée sur le tuyau intermédiaire.

7. Pour un débit d'air plus élevé, fixez la buse haute vitesse sur la buse du souffleur.

Utilisation

Introduction



AVERTISSEMENT: Assurez-vous de lire et de comprendre le chapitre dédié à la sécurité avant d'utiliser l'appareil.

Carburant

Ce produit est équipé d'un moteur à deux temps.



REMARQUE: L'utilisation d'un type de carburant inadéquat peut endommager le moteur. Utilisez un mélange d'essence et d'huile deux temps.

Carburant prémélangé

- Utilisez Husqvarna un carburant alkylate prémélangé pour des performances optimales et une plus longue durée de vie du moteur. Ce carburant contient des produits chimiques moins dangereux par rapport au carburant normal, ce qui réduit la quantité de gaz d'échappement dangereux. Ce carburant génère une faible quantité de résidus, ce qui permet de garder les composants du moteur propres plus longtemps.

Pour mélanger le carburant

Essence

- Utilisez une essence sans plomb de bonne qualité avec un maximum de 10 % d'éthanol.



REMARQUE: n'utilisez pas d'essence avec un indice d'octane inférieur à 90 RON/87 AKI. L'utilisation d'une essence d'un indice d'octane inférieur peut entraîner des cognements, et donc endommager le moteur.

Huile deux temps

- Pour un résultat et un fonctionnement optimaux, utilisez de l'huile deux temps Husqvarna.
- Si l'huile deux temps Husqvarna n'est pas disponible, utilisez une huile deux temps de haute qualité pour moteurs refroidis à l'air. Contactez votre atelier d'entretien pour sélectionner l'huile appropriée.



REMARQUE: N'utilisez pas d'huile deux temps pour les moteurs hors-bord refroidis par eau (huile outboard). N'utilisez pas d'huile pour moteurs à quatre temps.

Pour mélanger l'essence et l'huile deux temps

Essence, en litres	Huile deux temps, en litres
	2 % (50:1)
5	0,10
10	0,20
15	0,30
20	0,40



REMARQUE: lorsque vous mélangez de faibles quantités de carburant, de petites erreurs peuvent influencer considérablement sur le rapport de mélange. Mesurez soigneusement la quantité d'huile et assurez-vous que vous obtenez le mélange correct.

(Fig. 25)

1. Remplissez la moitié de la quantité d'essence dans un récipient propre et adapté pour l'essence.
2. Ajoutez la quantité totale d'huile.
3. Mélangez en secouant le mélange de carburant.
4. Ajoutez le reste de l'essence dans le récipient.
5. Mélangez avec précaution en secouant le récipient.



REMARQUE: Ne mélangez jamais plus d'un mois de carburant à chaque fois.

Pour remplir le réservoir de carburant



AVERTISSEMENT: Respectez la procédure suivante pour votre sécurité.

1. Arrêtez le moteur et laissez-le refroidir.
2. Essuyez le pourtour du bouchon du réservoir de carburant. (Fig. 26)
3. Secouez le conteneur et assurez-vous que le carburant est complètement mélangé.
4. Déposez lentement le couvercle du réservoir de carburant pour relâcher la pression.
5. Remplissez le réservoir de carburant.



REMARQUE: Assurez-vous qu'il n'y a pas de trop de carburant dans le réservoir de carburant. Le carburant se dilate lorsqu'il devient chaud.

6. Serrez soigneusement le bouchon du réservoir de carburant.

7. Nettoyez tout déversement de carburant sur et autour du produit.
8. Positionnez le produit à au moins 3 m/10 pi de la zone et de la source du remplissage avant de démarrer le moteur.

Remarque: Pour connaître l'emplacement du réservoir de carburant sur votre produit, reportez-vous à la section *Aperçu du produit à la page 131*.

Pour démarrer un moteur froid



AVERTISSEMENT: L'air commence à souffler dès le démarrage du moteur, même au ralenti. Ne laissez personne se tenir à proximité du souffleur ou du tube du souffleur.

1. Si le moteur est froid, placez la commande de starter (A) en position de starter fermé. Reportez-vous à la section *Symboles concernant le produit à la page 131*. (Fig. 27)
2. Appuyez sur la poire de la pompe à carburant (B) à au moins 10 reprises jusqu'à ce que le carburant commence à remplir la poire. Il n'est pas nécessaire de remplir entièrement la poire de la pompe à carburant.
3. Placez la commande d'accélération en position de ralenti élevé. Alignez les repères du levier de commande d'accélération et de la poignée de commande. (Fig. 28)
4. Placez le produit sur une surface plane au sol.
5. Tenez le produit avec la main gauche et placez votre pied sur le repose-pied. (Fig. 29)
6. Tirez lentement la poignée du câble du démarreur avec la main droite jusqu'à sentir une résistance.

Remarque: Ne tirez pas complètement sur la poignée du câble du démarreur et ne lâchez pas la poignée du câble du démarreur.

7. Tirez rapidement la poignée du câble du démarreur avec la main droite jusqu'à ce que le moteur démarre ou tente de démarrer, à 6 reprises maximum. Si le moteur démarre, placez progressivement le levier du starter en position ouverte et passez à l'étape 11. Si le moteur ne démarre pas, passez à l'étape 9.
8. Lors de la tentative de démarrage du moteur, placez progressivement le levier du starter en position ouverte.
9. Tirez rapidement la poignée du câble du démarreur avec la main droite jusqu'à ce que le moteur démarre, à 6 reprises maximum.



Remarque: Si le moteur ne démarre pas, répétez les instructions de démarrage à partir de l'étape 1.

10. Laissez fonctionner le moteur pendant 30 secondes.
11. Placez la commande d'accélérateur en position de régime de ralenti. (Fig. 30)
12. Utilisez la gâchette d'accélération pour régler la vitesse du souffleur. Reportez-vous à la section *Pour utiliser la gâchette d'accélération à la page 137.*

Pour démarrer un moteur chaud

- Si la température ambiante est inférieure à 32 °C (90 °F), suivez la même procédure de démarrage que dans la section *Pour démarrer un moteur froid à la page 136* mais ne placez pas la commande de starter en position fermée.
- Si la température ambiante est supérieure à 32 °C (90 °F), utilisez la même procédure de démarrage que dans la section *Pour démarrer un moteur froid à la page 136.*

Pour utiliser la gâchette d'accélération

- Pour augmenter la vitesse du souffleur pendant l'utilisation, appuyez sur la gâchette d'accélération jusqu'à obtenir la vitesse désirée. (Fig. 31)
- Pour diminuer la vitesse du souffleur pendant l'utilisation, relâchez la gâchette d'accélération jusqu'à obtenir la vitesse désirée.

Pour démarrer le moteur lorsque le carburant est trop chaud

Si l'appareil ne démarre pas, il se peut que le carburant soit trop chaud.

Remarque: Utilisez toujours un nouveau carburant et limitez le temps de fonctionnement par temps chaud.

1. Placez l'appareil dans un endroit frais à l'abri des rayons du soleil.
2. Laissez l'appareil refroidir pendant 20 minutes au moins.
3. Appuyez maintes fois sur la poire de la pompe à carburant pendant 10 à 15 secondes.
4. Observez la procédure relative au démarrage d'un moteur froid. Reportez-vous à la section *Pour démarrer un moteur froid à la page 136.*

Pour utiliser le produit

- Utilisez le produit aux heures de travail habituelles. Respectez les réglementations locales.
- Diminuez les pièces d'équipement et sélectionnez la vitesse adaptée à votre tâche. Utilisez l'accélérateur à la position la plus basse possible pour éviter plus de bruit et de poussière que nécessaire.
- Maintenez la buse du souffleur près du sol.

Remarque: Husqvarna recommande d'utiliser l'extension de buse de souffleur complète.

- Notez la direction du vent et faites fonctionner le produit dans la direction du vent.
- Utilisez les outils de jardin appropriés pour dégager les matériaux du sol.
- Dans les zones poussiéreuses, utilisez un équipement de pulvérisation pour mouiller la zone. Cela permet de réduire le temps de fonctionnement.
- Après utilisation, conservez le produit en position de stockage verticale.

Pour arrêter le produit



REMARQUE: N'arrêtez pas le produit à pleine vitesse.

1. Appuyez sur l'interrupteur d'arrêt. (Fig. 32)

Remarque: Lorsque le produit s'arrête, vous entendez un bruit de cognement. Cela est normal et n'indique pas que le produit est défectueux.

Pour régler le harnais

1. Enfilez le harnais du produit.
2. Placez la ceinture autour de votre taille et attachez la boucle de ceinture. (Fig. 33)
3. Serrez la sangle de ceinture. (Fig. 34)
4. Attachez la boucle de ceinture de la sangle de poitrine. (Fig. 35)
5. Réglez la position de la sangle de poitrine. (Fig. 36)
6. Serrez la sangle de poitrine. (Fig. 37)
7. Serrez les sangles d'épaule jusqu'à ce que le produit soit bien serré contre votre corps. (Fig. 38)
8. Serrez les sangles du dispositif de levage de charge. (Fig. 39)

Entretien

Introduction



AVERTISSEMENT: assurez-vous de lire et de comprendre le chapitre sur la

sécurité avant de procéder à l'entretien du produit.

Calendrier d'entretien

Entretien	Au quoti- dien	Toutes les se- maines	Une fois par mois
Nettoyez les surfaces externes.	X		
Contrôlez le bon fonctionnement de la poignée de commande.	X		
Contrôlez le bon fonctionnement de l'interrupteur marche/arrêt. Reportez-vous à la section <i>Pour contrôler l'interrupteur marche/arrêt à la page 134.</i>	X		
Vérifiez si le moteur, le réservoir de carburant et les conduites de carburant présentent des fuites. Vérifiez que le filtre à carburant n'est pas contaminé. Remplacez le filtre à carburant si nécessaire.	X		
Nettoyez le filtre à air. Remplacez le filtre à air si nécessaire.	X		
Serrez les écrous et les vis.	X		
Examinez la prise d'air pour vous assurer qu'elle n'est pas obstruée.	X		
Vérifiez si le démarreur et le câble de démarreur sont endommagés.		X	
Vérifiez que les dispositifs anti-vibrations ne présentent pas de dommages, de fissures ou de déformations. Vérifiez que les dispositifs anti-vibrations sont correctement installés.		X	
Vérifiez la bougie. Reportez-vous à la section <i>Pour contrôler la bougie d'allumage à la page 138.</i>		X	
Nettoyez le système de refroidissement.		X	
Nettoyez la surface extérieure du carburateur et la zone autour de celui-ci.		X	
Nettoyer le réservoir de carburant.			X
Vérifiez tous les câbles et toutes les connexions.			X
Examinez et nettoyez le pare-étincelles sur le silencieux (pour les produits sans convertisseur catalytique).		X	
Examinez et nettoyez le pare-étincelles sur le silencieux (pour les produits avec convertisseur catalytique).			X
Vérifiez la bougie. Remplacez-les si nécessaire.			X

Pour régler le régime de ralenti

1. Assurez-vous que le filtre à air est propre et que le couvercle de filtre à air est attaché.
2. Réglez le régime de ralenti à l'aide de la vis de ralenti. Pour connaître l'emplacement de la vis de ralenti sur votre produit, reportez-vous à la section *Aperçu du produit à la page 131.*

Pour contrôler la bougie d'allumage

Une bougie inappropriée peut endommager le produit.

1. Arrêtez le moteur et laissez le produit refroidir.
2. Nettoyez la bougie si elle est sale.
3. Vérifiez que l'écartement des électrodes est correct. Reportez-vous à la section *Caractéristiques techniques à la page 141.* (Fig. 40)
4. Remplacez la bougie une fois par mois ou plus fréquemment, si nécessaire.



REMARQUE: Utilisez la bougie recommandée. Reportez-vous à la section *Caractéristiques techniques à la page 141.*

Pour procéder à l'entretien du silencieux



REMARQUE: Si le pare-étincelles est fréquemment obstrué, cela peut indiquer que les performances du pot catalytique sont dégradées. Faites contrôler le silencieux par votre atelier d'entretien. Un pare-étincelles obstrué peut provoquer une surchauffe et entraîner la détérioration du cylindre et du piston.



REMARQUE: remplacez le pare-étincelles s'il est endommagé. N'utilisez pas un produit si le pare-étincelles du silencieux est manquant ou défectueux.

- Nettoyez le pare-étincelles du silencieux. Utilisez une brosse métallique. (Fig. 41)
- Faites remplacer ou entretenir le silencieux et le pare-étincelles par un atelier d'entretien après 50 heures de fonctionnement.

Pour inspecter et nettoyer le système de refroidissement

Le système de refroidissement comprend les ailettes de refroidissement sur le cylindre et la prise d'air.

1. Arrêtez le moteur.
2. Assurez-vous que le système de refroidissement n'est pas encrassé ou colmaté. Si nécessaire, nettoyez la prise d'air et les ailettes de refroidissement.



REMARQUE: Un circuit de refroidissement sale ou colmaté peut

provoquer la surchauffe du moteur, ce qui peut endommager le produit. Une prise d'air obstruée diminue la force de soufflage.

3. Vérifiez que le système de refroidissement n'est pas endommagé. Assurez-vous que les pièces sont correctement fixées au produit.

Pour nettoyer le filtre à air



REMARQUE: N'utilisez pas de produit sans filtre à air ou avec un filtre à air endommagé. La poussière présente dans l'air peut endommager le moteur.

1. Poussez la commande de starter en position fermée.
2. Retirez le couvercle du filtre à air (A).
3. Déposez le pré-filtre (B) du couvercle de filtre à air. (Fig. 42)
4. Déposez le filtre à air (C) du cadre de filtre.
5. Nettoyez le pré-filtre et le filtre à air avec de l'eau chaude savonneuse.

Remarque: Un filtre à air qui a servi longtemps ne peut pas être complètement propre. Remplacez le filtre à air régulièrement et remplacez toujours un filtre à air défectueux.

6. Nettoyez la surface intérieure du couvercle du filtre à air (A) avec une brosse.
7. Installez le filtre à air sur le cadre du filtre à air.
8. Fixez le pré-filtre sur le couvercle du filtre à air.
9. Fixez le couvercle du filtre à air au produit.

Dépannage

Le moteur ne démarre pas		
Contrôler	Cause possible	Solution
Cliquets du démarreur.	Cliquets du démarreur bloqués ou usés.	Réglez ou remplacez le(s) cliquet(s) du démarreur.
		Nettoyez le(s) cliquet(s) du démarreur.
		Contactez un atelier d'entretien agréé.
Réservoir d'essence.	Mauvais type de carburant.	Vidangez le réservoir de carburant et utilisez le carburant qui convient.
Carburateur.	Réglage du régime de ralenti.	Réglez le régime de ralenti à l'aide de la vis de réglage du ralenti.

Le moteur ne démarre pas		
Contrôler	Cause possible	Solution
Allumage (pas d'étincelle).	Bougie sale ou humide.	Assurez-vous que la bougie est sèche et propre.
	L'écartement des électrodes sur la bougie est incorrect.	Nettoyez la bougie. Vérifiez que l'écartement des électrodes est correct. Reportez-vous aux caractéristiques techniques pour obtenir le bon écartement des électrodes.
Bougie.	Bougie desserrée.	Serrez la bougie d'allumage.
	Il y a des matériaux indésirables sur les électrodes des bougies.	Assurez-vous que le mélange de carburant est correct. Assurez-vous que le filtre à air est propre.

Le moteur démarre, puis s'arrête à nouveau		
Contrôler	Cause possible	Solution
Réservoir d'essence.	Mauvais type de carburant.	Vidangez le réservoir de carburant et utilisez le carburant qui convient.
Carburateur.	Le moteur ne fonctionne pas correctement lorsqu'il tourne au régime de ralenti.	Contactez votre atelier d'entretien.
Filtre à air.	Filtre à air bouché.	Nettoyez le filtre à air.

Transport et stockage

Transport et stockage



AVERTISSEMENT: Pour éviter tout risque d'incendie, assurez-vous qu'il n'y a pas de fuites ou d'émanations pendant le transport ou le stockage. Assurez-vous qu'il n'y a pas de risque d'étincelles ou d'incendie.

- Avant de transporter ou de remiser le produit pour une période prolongée, videz le réservoir de carburant. Pressez la poire de la pompe à carburant pour s'assurer que tout le carburant est éliminé. Mettez le carburant au rebut dans une déchetterie appropriée.
- Assurez-vous que le produit est propre et que son entretien complet a été effectué avant de le ranger pour une période prolongée.
- Retirez la bougie et versez environ 15 ml d'huile deux temps dans le cylindre. Tournez le produit 3 fois et remettez la bougie en place.
- Fixez le produit en toute sécurité au véhicule pour le transporter.
- Placez le produit dans un endroit sec, frais et propre avec une bonne circulation d'air. Tenez la machine à l'écart des enfants.

Caractéristiques techniques

Caractéristiques techniques

	Husqvarna 345BT (BP152HV)
Moteur	
Cylindrée, cm ³	51,7
Régime de ralenti, tr/min	2 800
Convertisseur catalytique	Oui
Système d'allumage	
Bougie	NGK BPMR7A/Champion RCJ6Y
Écartement des électrodes, mm	0,6-0,7
Couple de la bougie, Nm	25-30
Système de graissage/de carburant	
Capacité du réservoir de carburant, l/cm ³	1,0/1 000
Poids	
Poids, sans carburant, kg	10,0
Émissions sonores ³¹	
Niveau de puissance sonore, mesuré dB(A)	110
Niveau de puissance acoustique, garanti L _{WA} dB(A)	113
Niveaux sonores ³²	
Niveau de pression sonore équivalent au niveau de l'oreille de l'utilisateur, mesuré selon la norme EN15503 dB(A) :	
Équipé d'une buse de souffleur (d'origine)	101
Niveaux de vibrations ³³	
Niveaux de vibrations équivalents (a _{hv,eq}) au niveau des poignées mesurés selon la norme EN 15503, en m/s ²	6,1
Performances du ventilateur	
Vitesse d'air max. avec la buse haute vitesse, m/s	98,3
Débit d'air sans la buse haute vitesse, m ³ /min	13,9

³¹ Émissions sonores dans l'environnement mesurées comme puissance sonore (L_{WA}) selon la directive européenne CE 2000/14/CE. Le niveau de puissance sonore reporté pour la machine a été mesuré avec l'accessoire de coupe d'origine qui donne le niveau le plus élevé. Le niveau de puissance sonore garanti diffère du niveau mesuré en cela qu'il prend également en compte la dispersion et les variations d'une machine à l'autre du même modèle, conformément à la directive 2000/14/CE.

³² Les données reportées pour le niveau de pression sonore montrent une dispersion statistique typique (déviation standard) de 3,0 dB(A).

³³ Les données reportées pour le niveau de vibrations montrent une dispersion statistique typique (déviation standard) de 1,5 m/s².

Déclaration de conformité CE

Déclaration de conformité CE

Nous, Husqvarna AB, SE 561 82 Huskvarna, SUÈDE, déclarons sous notre responsabilité exclusive que le produit représenté :

Description	Souffleur à essence / aspirateur-souffleur
Marque	Husqvarna
Plate-forme / Type / Modèle	Plate-forme BP152HV, représentant le modèle345BT
Lot	Numéro de série à partir de 2022.

sont entièrement conformes à la réglementation et aux directives de l'UE suivantes :

Directive/Réglementation	Description
2006/42/CE	« relative aux machines »
2014/30/UE	« relative à la compatibilité électromagnétique »
2000/14/CE	« relative au bruit extérieur »
2011/65/UE	« relative à la limitation de l'utilisation de certaines substances dangereuses »

Les normes harmonisées et/ou les spécifications techniques appliquées sont comme suit : EN ISO 12100:2010, EN 15503:2009+A2, CISPR 12:2007, EN ISO 14982:2009, EN IEC 63000:2018, EN IEC 63000:2018

Conformément à la directive 2000/14/CE, Annexe V, les valeurs sonores déclarées sont stipulées dans la section Caractéristiques techniques de ce manuel.

TÜV Rheinland a procédé à un examen volontaire pour Husqvarna AB et lui a attribué le certificat de conformité

AM 50391742 à la directive CE 2006/42/CE du Conseil relative aux machines.

Le certificat s'applique à l'ensemble des sites de fabrication et pays d'origine, comme indiqué sur le produit.

Le souffleur à essence / l'aspirateur-souffleur fourni correspond aux exemplaires soumis au contrôle de conformité communautaire européen.

Pour le compte de Husqvarna AB, SE-561 82 Huskvarna, SUÈDE,



Pär Martinsson

Responsable de la documentation technique



Sadržaj

Uvod.....	143	Rješavanje problema.....	151
Sigurnost.....	144	Prijevoz i skladištenje.....	152
Sastavljanje.....	146	Tehnički podaci.....	153
Rad.....	147	Izjava o sukladnosti EC.....	154
Održavanje.....	149		

Uvod

Opis proizvoda

Ovaj proizvod je ledni puhač s benzinskim motorom.

Naša politika obuhvaća neprekidan razvoj proizvoda i stoga zadržavamo pravo na preinake dizajna i izgleda proizvoda bez prethodne obavijesti.

Pregled proizvoda

(Sl. 1)

1. Upravljačka ručica gasa
2. Okvir
3. Naramenice
4. Poklopac motora
5. Poklopac ventilatora
6. Rešetka dovoda zraka
7. Filtar zraka
8. Ručica za paljenje
9. Spremnik za gorivo
10. Remen za struk
11. Svječica
12. Sustav za smanjivanje vibracija
13. Regulator čoka
14. Kontrolna ručica
15. Sklopka za zaustavljanje s regulatorom gasa
16. Regulator gasa
17. Kut cijevi
18. Obujmica
19. Fleksibilno crijevo
20. Kontrolna cijev
21. Obujmica kabela
22. Srednja cijev
23. Mlaznica puhača
24. Korisnički priručnik
25. Kombinirani ključ
26. Čašica pumpice za gorivo
27. Mlaznica visoke brzine
28. Vijak za podešavanje praznog hoda
29. Ventilator
30. Ploča za stopala

Namjena

Upotrebljavajte ovaj proizvod za puhanje lišća i drugog neželjenog materijala s područja, kao što su travnjaci, prilazni i asfaltirani putovi.

Simboli na proizvodu

- (Sl. 2) UPOZORENJE! Ovaj proizvod može biti opasan i izazvati teške ozljede ili smrt rukovatelja, odnosno drugih osoba. Budite oprezni i pravilno upotrebljavajte ovaj proizvod.
- (Sl. 3) Pažljivo pročitajte korisnički priručnik i prije upotrebe dobro usvojite sadržaj.
- (Sl. 4) Upotrebljavajte odobrenu zaštitu sluha i odobrenu zaštitu za oči. Ako u okolini ima prašine, nosite masku za disanje.
- (Sl. 5) Tijekom rada i održavanja nosite odobrene zaštitne rukavice. Nosite zaštitne čizme ili cipele s neprokliznim potplatima. Nosite dugu odjeću od čvrstog materijala.
- (Sl. 6) Duga kosa obavezno mora biti iznad ramena.
- (Sl. 7) Nemojte nositi nakit niti široku odjeću.
- (Sl. 8) Mješavina goriva i ulja za dvotaktne motore.
- (Sl. 9) Pumpica za gorivo.
- (Sl. 10) Sve dijelove tijela držite podalje od vrućih površina.
- (Sl. 11) Nemojte se približavati rotoru dok se okreće.

- (Sl. 12) Čok, otvoren položaj.
- (Sl. 13) Čok, zatvoren položaj.
- (Sl. 14) Vijak za podešavanje praznog hoda.
- (Sl. 15) Ovaj je proizvod sukladan s primjenjivim direktivama EZ-a.
- (Sl. 16) Ovaj je proizvod u skladu s važećim direktivama UK-a.
- (Sl. 17) Emisije buke u okoliš u skladu s europskom Direktivom 2000/14/EZ i propisom za zaštitu od radova u okolišu (kontrola buke) Novog Južnog Walesa iz 2017. Podaci o emisiji buke navedeni su na naljepnici stroja i u poglavlju Tehnički podaci.

ggggtboxxx

Serijski broj nalazi se na natpisnoj pločici ili laser-skom ispisu. **yyyy** je godina proizvodnje, a **vvv** je tjedan proizvodnje.

Napomena: Drugi simboli/naljepnice na proizvodu odnose se na zahtjeve za certifikaciju na drugim tržišnim područjima.

Pouzdanost proizvoda

Sukladno zakonima o pouzdanosti proizvoda nismo odgovorni za oštećenja uzrokovana našim proizvodima ako je:

- proizvod nepravilno popravljen
- proizvod popravljen dijelovima koje nije proizveo proizvođač ili nemaju odobrenje proizvođača
- proizvod ima dodatnu opremu koje nije proizveo proizvođač ili nemaju odobrenje proizvođača
- proizvod nije popravljen u odobrenom servisnom centru ili kod ovlaštene osobe.

- (Sl. 18) Pazite na izbačene predmete. Odbačeni predmetu mogu uzrokovati ozbiljne ozljede. Upotrebljavajte opremu za osobnu zaštitu.
- (Sl. 19) Od osoba ili životinja održavajte sigurnosnu udaljenost od najmanje 15 m.

Sigurnost

Sigurnosne definicije

Definicije u nastavku prikazuju razinu ozbiljnosti svake signalne riječi.



UPOZORENJE: Ozljede osoba.



OPREZ: Oštećenje proizvoda.

Napomena: Informacije olakšavaju korištenje proizvoda.

Opće sigurnosne upute



UPOZORENJE: Prije upotrebe proizvoda pročitajte upozoravajuće upute u nastavku.

- Nemojte izmjenjivati proizvod bez odobrenja proizvođača i uvijek upotrebljavajte originalnu dodatnu opremu. Neodobrene izmjene i/ili dodatna

oprema mogu uzrokovati ozbiljne ozljede ili smrt rukovatelja ili drugih osoba.

- Nemojte upotrebljavati oštećen proizvod. Provedite sigurnosne provjere i održavanje iz priručnika za rukovatelja. Sva druga održavanja provodi ovlašteno servisno osoblje.
- Sva servisiranja i popravke provodi ovlašteno servisno osoblje. Ako je dio proizvoda neispravan, obratite se servisnom zastupniku.

Sigurnost od vibracija

Ovaj je proizvod namijenjen samo za povremenu upotrebu. Neprestana ili redovita upotreba proizvoda može uzrokovati bolest "bijelih prstiju" ili slične medicinske probleme uzrokovane vibracijama. Ako proizvod upotrebljavati neprestano ili redovito, pregledavajte stanje ruku i prstiju. Ako na rukama ili prstima dođe do promjene boje te ako osjetite bolove, trnce ili otupljenost, prekinite s radom i odmah se obratite liječniku.

Sigurnosne upute za rad



UPOZORENJE: Prije upotrebe proizvoda pročitajte upozoravajuće upute u nastavku.

- Ovaj proizvod može biti opasan i izazvati teške ozljede ili smrt rukovatelja, odnosno drugih osoba. Budite oprezni i pravilno upotrebljavajte ovaj proizvod.
- Pregledajte proizvod prije upotrebe. Pogledajte *Održavanje na stranici 149*.
- Proizvod nemojte upotrebljavati kada se umorni, bolesni ili pod utjecajem alkohola ili drugih opijata koji mogu smanjiti vaš vid, sposobnost rasuđivanja ili koordinaciju.
- Prije upotrebe postavite sve poklopce i štitnike. Kako biste spriječili strujne udare, provjerite jesu li lulica svjećice i kabel paljenja neoštećeni.
- Kada je motor uključen, nemojte dodirivati svjećicu ili kabel paljenja.
- Od osoba ili životinja održavajte sigurnosnu udaljenost od najmanje 15 m. Ako se osobe, djeca ili životinje približe na manje od 15 m, zaustavite proizvod. Proizvod usmjerite od osoba, životinja, otvorenih prozora i drugih predmeta.
- Djeci nemojte dopustiti rad s proizvodom. Svi rukovatelji obavezno moraju pročitati i usvojiti sadržaje ovog priručnika za rukovatelja.
- Tijekom rada šake i druge predmete držite podalje od kućišta puhača. Okretni dijelovi mogu uzrokovati ozbiljne ozljede.
- Ako na ulaz zraka nije postavljena mrežica, nemojte upotrebljavati proizvod. Prije upotrebe uvijek provjerite je li na ulaz zraka postavljena neoštećena mrežica.
- U slučaju opasnosti otpustite remen na struku i remen na prsima i dopustite pad proizvoda.
- Poštujte nacionalne propise i smjernice.
- Sve dijelove tijela držite podalje od vrućih površina.
- Prejake vibracije mogu oštetiti cirkulaciju ili živčani sustav. Ako imate simptome poput trnaca, gubitka osjećaja, bockanja, bolova, gubitka snage te promjene u boji ili stanju kože na prstima, šakama ili zapešćima, obratite se liječniku.
- Pazite na izbačene predmete. Odbačeni predmetu mogu uzrokovati ozbiljne ozljede.
- Proizvod nemojte upotrebljavati po lošem vremenu, primjerice magli, kiši, snažnom vjetru i u prehladnim okruženjima. Rad po lošem vremenu može uzrokovati zamor i opasne uvjete.
- Provjerite mogućnosti kretanja i održavajte stabilan položaj. Na radnoj površini potražite moguće prepreke, primjerice kamenje. Budite pažljivi kada proizvod upotrebljavate na kosini.
- Proizvod s uključenim motorom nemojte odlagati na tlo.
- Proizvod nemojte upotrebljavati na visokim položajima, primjerice na ljestvama.
- Osigurajte da vas se može čuti u slučaju nezgode.
- Provjerite prohodnost ispuha ispušnih para. Kako ne biste oštetili proizvod, prepreke od ispuha ispušnih para moraju biti udaljene najmanje 50 cm.

- Proizvod nemojte pokretati u zatvorenom prostoru, kada je protok zraka slab ili u blizini zapaljivog materijala. Ispušne pare motora sadrže ugljični monoksid, koji može uzrokovati trovanje ugljičnim monoksidom. Ispušne pare motora vruće su i mogu sadržavati vruće iskre koje mogu uzrokovati požar.

Oprema za osobnu zaštitu



UPOZORENJE: Prije korištenja proizvoda pročitajte upozoravajuće upute u nastavku.

- Prilikom korištenja proizvoda koristite prikladnu opremu za osobnu zaštitu. Osobnom zaštitnom opremom ozljede se ne mogu u potpunosti spriječiti, no može se smanjiti njihova ozbiljnost. Za više informacija obratite se ovlaštenom zastupniku.
- Upotrebljavajte odobrenu zaštitu sluha. Dugotrajno izlaganje buci može uzrokovati trajno oštećenje sluha.
- Upotrebljavajte odobrenu zaštitu za oči. Ako nosite vizir, morate nositi i odobrene zaštitne naočale. Odobrene zaštitne naočale moraju ispunjavati standard ANSI Z87.1 za SAD ili EN 166 za države EU-a.
- Tijekom rada i održavanja nosite zaštitne rukavice.
- Nosite zaštitne čizme ili cipele s neprokliznim potplatima.
- Nosite dugu odjeću od čvrstog materijala. Nemojte nositi nakit ili otvorenu obuću. Kako biste smanjili opasnost od ozljede, nosite usku odjeću koja ne ograničava kretanje. Kosa mora biti iznad ramena kako ne bi dospjela u okretno dijelove ili se zapetljala u grane.
- Ako prašina predstavlja opasnost, nosite zaštitu za disanje.
- Opremu za prvu pomoć držite u blizini.

Sigurnosne upute za proizvod



UPOZORENJE: Prije uporabe proizvoda pročitajte upozoravajuće upute u nastavku.

- Nemojte koristiti proizvod s oštećenim zaštitnim uređajima.
- Redovito pregledavajte sigurnosne uređaje. Pogledajte *Održavanje na stranici 149*.
- Ako su sigurnosni uređaji neispravni, obratite se Husqvarna servisnom zastupniku.

Provjera prigušivača



UPOZORENJE: Nemojte upotrebljavati proizvod s oštećenim prigušivačem.



UPOZORENJE: Prigušivač se jako zagrijavanja tijekom i nakon rada, također i u praznom hodu. Nosite zaštitne rukavice kako biste spriječili opekline.



UPOZORENJE: Unutarnja površina prigušivača obložena je kemikalijama koje mogu biti kancerogene. Nemojte dodirivati oštećen prigušivač.

- Redovito vizualno pregledajte prigušivač. Prigušivač razinu buke održava na minimumu i ispušne plinove usmjerava dalje od rukovatelja. Pogledajte *Pregled i čišćenje rashladnog sustava na stranici 150*.

Provjera sustava za smanjenje vibracija

1. Pobrinite se da nema pukotina ili izobličenja na jedinicama za smanjivanje vibracija.
2. Provjerite jesu li jedinice za smanjivanje vibracija ispravno pričvršćene na motor i jedinicu s ručkama.

Za informacije o tomu gdje se nalazi sustav za smanjivanje vibracija na vašem proizvodu pročitajte *Pregled proizvoda na stranici 143*.

Provjera sklopke za pokretanje/zaustavljanje

1. Upotrebljavajte sklopku za pokretanje/zaustavljanje kako biste zaustavili motor.
2. Motor se mora u potpunosti zaustaviti.

Kako biste pronašli sklopku za pokretanje/zaustavljanje na proizvodu, pogledajte *Pregled proizvoda na stranici 143*.

Sigurnost naramenica

Tijekom rada s proizvodom obavezno nosite naramenice. Ako ne upotrebljavate naramenice, rad s proizvodom je nesiguran. Tako možete ozlijediti sebe ili druge. Provjerite jesu li remen oko struka i traka oko prsa ispravno pričvršćeni i podešeni. Postoji opasnost od ulaska nepričvršćenog pojasa u ventilator proizvoda.

(Sl. 10)

Sigurnost pri rukovanju s gorivom



UPOZORENJE: Prije uporabe proizvoda pročitajte upozoravajuće upute u nastavku.

- Gorivo nemojte miješati ili dolijevati u zatvorenom prostoru ili u blizini izvora topline.
- Proizvod nemojte pokretati ako ste po proizvodu ili tijelu proliili gorivo ili ulje.
- Proizvod nemojte pokretati ako motor ispušta gorivo. Redovito pregledavajte ispušta li motor gorivo.
- Gorivom uvijek rukujte pažljivo. Gorivo je zapaljivo, a pare su eksplozivne i mogu uzrokovati ozbiljne ozljede ili smrt.
- Nemojte udisati pare goriva, one mogu uzrokovati ozljede. Osigurajte dovoljan protok zraka.
- U blizini goriva ili motora nemojte pušiti.
- Proizvod ili posudu za gorivo nemojte stavljati blizu toplih predmeta, otvorenog plamena, iskri ili lampica.
- Za prijevoz i skladištenje goriva obavezno upotrebljavajte odobrene spremnike.

Sigurnosne upute za održavanje



UPOZORENJE: Prije upotrebe proizvoda pročitajte upozoravajuće upute u nastavku.

- Prije održavanja i sastavljanja zaustavite motor, uklonite svjećicu i pričekajte na hlađenje motora.
- Neprohodna mrežica za hvatanje iskri uzrokuje pregrijavanje motora, odnosno njegovog oštećenja.
- Ako je mrežica za hvatanje iskri često neprohodna, to može ukazivati na smanjenu učinkovitost katalizatora. Za pregled prigušivača obratite se servisnom zastupniku.

Sastavljanje

Uvod



UPOZORENJE: Prije sklapanja proizvoda s razumijevanjem pročitajte poglavlje o sigurnosti.

Montaža cijevi puhača i upravljačke ručice na proizvod

Napomena: Podmažite cijevi i savitljivo crijevo kako biste ih lakše sastavili.

1. Stezaljkama (C) i (D) savitljivo crijevo (A) pričvrstite za kut cijevi i upravljačku cijev (B). (Sl. 21)

2. Postavite držač ručice (E) na upravljačku cijev. Poravnajte držač ručice s prirubnicom na upravljačkoj cijevi. (Sl. 22)
3. Podesite položaj upravljačke ručice u siguran i ispravan radni položaj. Zategnite vijak.
4. Kabelskom spojnicom pričvrstite kabel za savitljivo crijevo. (Sl. 23)
5. Postavite srednju cijev na upravljačku cijev. (Sl. 24)

6. Postavite mlaznicu puhača na srednju cijev.

Napomena: Mlaznicu puhača moguće je postaviti samo na srednju cijev.

7. Za višu brzinu zraka na mlaznicu puhača postavite mlaznicu visoke brzine.

Rad

Uvod



UPOZORENJE: Prije upotrebe proizvoda pročitajte i usvojite poglavlje o sigurnosti.



OPREZ: Ne upotrebljavajte ulje za dvotaktne vanbrodske motore hlađene vodom, poznato još i kao ulje za vanbrodske motore. Nemojte upotrebljavati ulje za četverotaktne motore.

Gorivo

Proizvod ima dvotaktni motor.



OPREZ: Neispravna vrsta goriva može uzrokovati oštećenje motora. Upotrebljavajte mješavinu benzina i ulja za dvotaktne motore.

Miješanje benzina i ulja za dvotaktne motore

Benzin, litra	Ulje za dvotaktne motore, litra
	2 % (50:1)
5	0,10
10	0,20
15	0,30
20	0,40

Prethodno izmiješano gorivo

- Upotrebljavajte Husqvarna prethodno izmiješano alkilatno gorivo za najbolje performanse motora i produženje njegova životnog vijeka. To gorivo sadrži manje štetnih kemikalija u usporedbi s uobičajenim gorivom koje sadržava štetne ispušne plinove. Količina ostataka nakon sagorijevanja manja je s ovim gorivom, što komponente motora održava čistima.

Miješanje goriva

Benzin

- Upotrebljavajte kvalitetni bezolovni benzin s maksimalnim udjelom etanola od 10 %.



OPREZ: Nemojte upotrebljavati benzin s oktanskim brojem manjim od 90 RON / 87 AKI. Upotreba nižeg oktanskog broja može prouzročiti lupanje u motoru, što izaziva oštećenja motora.



OPREZ: Čak i male pogreške mogu drastično utjecati na omjer mješavine kada miješate manje količine goriva. Pažljivo izmjerite količinu ulja kako biste bili sigurni da ćete dobiti ispravnu mješavinu.

(Sl. 25)

1. Polovicu količine benzina ulijte u čisti spremnik za gorivo.
2. Ulijte cijelu količinu ulja.
3. Promiješajte mješavinu goriva.
4. Ulijte preostalu količinu benzina u spremnik.
5. Pažljivo promiješajte mješavinu goriva.

Ulje za dvotaktne motore

- Za najbolje rezultate i performanse upotrebljavajte Husqvarna ulje za dvotaktne motore.
- Ako ulje za dvotaktne motore tvrtke Husqvarna nije dostupno, upotrijebite neko drugo ulje za dvotaktne motore dobre kvalitete za motore sa zračnim hlađenjem. O odabiru ispravne vrste ulja razgovarajte sa svojim servisnim zastupnikom.



OPREZ: Gorivo ne miješajte za razdoblje dulje od 1 mjeseca.

Punjenje spremnika za gorivo



UPOZORENJE: Pratite postupak koji osigurava vašu sigurnost.

1. Zaustavite motor i pričekajte na hlađenje motora.
 2. Očistite područje oko čepa spremnika za gorivo. (Sl. 26)
 3. Protresite spremnik i provjerite je li gorivo u potpunosti izmiješano.
 4. Čep spremnika za gorivo uklonite polako kako biste otpustili tlak.
 5. Napunite spremnik za gorivo.
-



OPREZ: U spremniku za gorivo ne smije biti previše goriva. Gorivo se širi kada je vruće.

6. Pažljivo pritegnite čep spremnika za gorivo.
 7. Očistite proliveno gorivo s i oko proizvoda.
 8. Prije pokretanja motora odmaknite ovaj proizvod 3 m / 10 stopa od mjesta na kojemu nadolijevate gorivo.
-

Napomena: Da biste saznali gdje se na vašem proizvodu nalazi spremnik za gorivo, pročitajte odjeljak *Pregled proizvoda na stranici 143*.

Pokretanje hladnog motora



UPOZORENJE: Zrak se ispušta odmah po pokretanju motora, čak i u praznom hodu. Onemogućite zadržavanje u blizini puhača ili cijevi puhača.

1. Ako je motor hladan, regulator čoka (A) postavite u položaj zatvorenog čoka. Pogledajte *Simboli na proizvodu na stranici 143*. (Sl. 27)
 2. Najmanje 10 puta uzastopno pritisnite čašicu pumpe za gorivo (B) dok se čašica ne počne puniti gorivom. Nije neophodno do kraja napuniti čašicu pumpice za gorivo.
 3. Regulator gasa pomaknite u položaj brzog praznog hoda. Poravnajte oznake za navođenje na upravljačkoj ručici gasa i upravljačkoj ručici. (Sl. 28)
 4. Proizvod postavite na ravnu površinu na tlu.
 5. Držite proizvod lijevom rukom i stavite stopalo na ploču za stopala. (Sl. 29)
 6. Desnom rukom polako povlačite ručicu užeta pokretača, sve dok ne osjetite otpor.
-

Napomena: Ručicu užeta pokretača nemojte potpuno izvlačiti i nemojte je ispuštati.

7. Ručicu užeta pokretača brzo povucite desnom rukom sve do pokretanja ili pokušaja pokretanja motora, najviše 6 puta. Ako se motor pokrene, regulator čoka polako postavite u otvoren položaj i prijedite na 11. korak. Ako se motor ne pokrene, prijedite na 9. korak.
 8. Kada započne pokretanje motora, regulator čoka polako postavite u otvoren položaj.
 9. Ručicu užeta pokretača brzo povucite desnom rukom sve do pokretanja motora, najviše 6 puta.
-



Napomena: Ako se motor ne pokrene, ponovite upute za pokretanje od 1. koraka.

10. Pogonite motor približno 30 sekundi.
 11. Postavite regulator gasa na broj okretaja praznog hoda. (Sl. 30)
 12. Pritisnite regulator gasa za podešavanje brzine puhača. Pogledajte *Primjena regulatora gasa na stranici 148*.
-

Pokretanje zagrijanog motora

- Ako je temperatura okoline ispod 32 °C / 90 °F, primijenite postupak pokretanja *Pokretanje hladnog motora na stranici 148*, no regulator čoka nemojte postaviti u položaj zatvorenog čoka.
 - Ako je temperatura okoline više od 32 °C / 90 °F, primijenite postupak pokretanja *Pokretanje hladnog motora na stranici 148*.
-

Primjena regulatora gasa

- Za povećanje brzine puhača tijekom rada pritisnite regulator gasa do postizanja željene brzine. (Sl. 31)
 - Za smanjenje brzine puhača tijekom rada otpustajte regulator gasa do postizanja željene brzine.
-

Pokretanje motora kada je gorivo prevruće

Ako se proizvod ne može pokrenuti, možda je gorivo prevruće.

Napomena: Uvijek upotrebljavajte novo gorivo i skratite rad u toplom vremenu.

1. Proizvod stavite na hladno mjesto podalje od izravnog sunčeva svjetla.
 2. Pustite da se proizvod hladi najmanje 20 minuta.
 3. Pumpicu za gorivo opetovano pritisnite 10 – 15 sekunda.
 4. Primijenite postupak za pokretanje hladnog motora. Pogledajte *Pokretanje hladnog motora na stranici 148*.
-

Rad s proizvodom

- Proizvod upotrebljavajte u uobičajenim radnim satima. Poštujte lokalne propise.
- Smanjite broj dijelova opreme i odaberite odgovarajuću brzinu za rad. Koristite najniži položaj gasa kako biste smanjili buku i podizanje prašine.
- Mlaznicu puhača držite uz tlo.

Napomena: Husqvarna preporučuje upotrebu punog produžetka mlaznice na puhaču.

- Utvrdite smjer puhanja vjetra i upotrebljavajte proizvod niz vjetar.
- Za otpuštanje materijala od tla primijenite odgovarajuće vrtno alate.
- U prašnjavim područjima opremom za raspršivanje ovlažite površinu. Tako smanjujete vrijeme rada.
- Proizvod nakon rada uskladištite u okomitom položaju.

Zaustavljanje proizvoda



OPREZ: Proizvod nemojte zaustavljati pri punoj brzini.

1. Pritisnite sklopku za zaustavljanje. (Sl. 32)

Napomena: Kada se proizvod zaustavi, čuje se škljocaj. To je normalno i ne ukazuje na neispravnost proizvoda.

Prilagodba naramenice

1. Postavite naramenice na proizvod.
2. Remen za struk postavite oko struka te postavite kopču remena za traku za struk. (Sl. 33)
3. Zategnite remen za struk. (Sl. 34)
4. Postavite kopču remena za traku za prsa. (Sl. 35)
5. Prilagodite položaj trake za prsa. (Sl. 36)
6. Zategnite remen na grudima. (Sl. 37)
7. Zategnite ramene remene dok proizvod ne pritisnete čvrsto uz tijelo. (Sl. 38)
8. Zategnite remene za podizanje težine. (Sl. 39)

Održavanje

Uvod



UPOZORENJE: Prije održavanja proizvoda pročitajte i usvojite sigurnosno poglavlje.

Raspored održavanja

Održavanje	Dnevno	Tjedno	Mjesečno
Očistite vanjske površine.	X		
Provjerite ispravnost upravljačke ručice.	X		
Provjerite ispravnost sklopke za pokretanje/zaustavljanje. Pročitajte odjeljak <i>Provjera sklopke za pokretanje/zaustavljanje na stranici 146.</i>	X		
Pregledajte ima li curenja na motoru, spremniku i vodovima za gorivo. Pregledajte filter za gorivo da nije kontaminiran. Ako je potrebno, zamijenite filter za gorivo.	X		
Očistite filter za zrak. Ako je potrebno, zamijenite filter.	X		
Zategnite matice i vijke.	X		
Pregledajte usis zraka kako biste bili sigurni da je prohodan.	X		
Provjerite ima li oštećenja na pokretaču ili užetu pokretača.		X	

Održavanje	Dnevno	Tjedno	Mjesečno
Pregledajte ima li na oštećenja ili pukotina ili izobličenja na jedinicama za ublažavanje vibracija. Provjerite jesu li ispravno ugrađene jedinice za ublažavanje vibracija.		X	
Pregledajte svječicu. Pročitajte odjeljak <i>Provjera svječice na stranici 150.</i>		X	
Očistite rashladni sustav.		X	
Očistite vanjsku površinu rasplinjača i prostor oko njega.		X	
Očistite spremnik za gorivo.			X
Pregledajte sve kabele i priključke.			X
Pregledajte i očistite mrežicu za hvatanje iskri na prigušivaču (na proizvodima bez katalizatora).		X	
Pregledajte i očistite mrežicu za hvatanje iskri na prigušivaču (na proizvodima s katalizatorom).			X
Pregledajte svječicu. Ako je to potrebno, zamijenite ih.			X

Podešavanje broja okretaja u praznom hodu

1. Provjerite je li filter za zrak čist te je li postavljen poklopac filtra za zrak.
2. Podesite brzinu praznog hoda s vijkom za brzinu praznog hoda. Kako biste pronašli vijak za brzinu praznog hoda na proizvodu, pogledajte *Pregled proizvoda na stranici 143.*

Provjera svječice



OPREZ: Upotrebljavajte preporučene svječice. Pogledajte *Tehnički podaci na stranici 153.* Neprikladna svječica može oštetiti proizvod.

1. Zaustavite motor i pričekajte na hlađenje proizvoda.
2. Očistite zaprljanu svječicu.
3. Provjerite ispravnost razmaka između elektroda. Pogledajte odjeljak *Tehnički podaci na stranici 153.* (Sl. 40)
4. Ako je potrebno, svječicu zamijenite svaki mjesec ili učestalije.

Održavanje prigušivača



OPREZ: Ako je mrežica za hvatanje iskri često neprohodna, to može ukazivati na smanjenu učinkovitost katalizatora. Za pregled prigušivača obratite se servisnom zastupniku. Neprohodna mrežica za hvatanje iskri izaziva pregrijavanje i uzrokuje oštećenje cilindra i klipa.



OPREZ: Ako je mrežica za hvatanje iskri oštećena, morate je zamijeniti. Ne upotrebljavajte ovaj proizvod bez mrežice za hvatanje iskri na prigušivaču ili s oštećenom mrežicom za hvatanje iskri.

- Očistite mrežicu za hvatanje iskri na prigušivaču. Upotrebljavajte četku. (Sl. 41)
- Nakon 50 sati rada servisirajte prigušivač i mrežicu za hvatanje iskri kod servisnog zastupnika.

Pregled i čišćenje rashladnog sustava

Rashladni sustav obuhvaća rashladna rebra na cilindru mrežicu na usisu zraka.

1. Zaustavite motor.
2. Provjerite je li rashladni sustav čist i prohodan. Mrežicu na usisu zraka i rashladna rebra očistite po potrebi.



OPREZ: Onečišćen ili neprohodan rashladni sustav može povećati temperaturu motora i uzrokovati oštećenje proizvoda. Neprohodna mrežica na usisu zraka smanjuje silu puhanja.

3. Provjerite je li rashladni sustav neoštećen. Provjerite jesu li dijelovi pravilno pričvršćeni za proizvod.

Čišćenje filtra zraka



OPREZ: Proizvod nemojte upotrebljavati bez filtra za zrak ili s oštećenim filtrom za zrak. Prašina u zraku može uzrokovati oštećenje motora.

1. Kontrolu čoka pritisnite u položaj za zatvaranje.
 2. Skinite poklopac filtra za zrak (A).
 3. Uklonite predfilter (B) s poklopca filtra zraka. (Sl. 42)
 4. Izvadite filter zraka (C) iz okvira filtra.
 5. Očistite predfilter i filter zraka toplom sapunicom.
- Napomena:** Dugo upotrebljavani filter za zrak nije moguće potpuno očistiti. Redovito mijenjajte
6. Unutarnju površinu poklopca filtra za zrak (A) očistite četkom.
 7. Postavite filter za zrak u okvir za filter.
 8. Postavite filter zraka u poklopac filtra zraka.
 9. Postavite poklopac filtra za zrak na proizvod.

Rješavanje problema

Motor nije moguće pokrenuti		
Provjera	Mogući uzrok	Rješenje
Startne kopče.	Blokirane ili istrošene startne kopče.	Podesite ili zamijenite startne kopče.
		Očistite prostor oko startnih kopči.
		Obratite se ovlaštenom servisnom zastupniku.
Spremnik za gorivo.	Nepravilna vrsta goriva.	Ispraznite spremnik za gorivo i upotrijebite ispravno gorivo.
Rasplinjač.	Podešavanje brzine okretaja u praznom hodu.	Prilagodite broj okretaja u praznom hodu uz pomoć vijka za podešavanje.
Iskrenje (nema iskre).	Svječića je zaprljana ili mokra.	Provjerite je li svječića suha i čista.
	Neispravan je razmak elektroda na svječići.	Očistite svječiću. Provjerite ispravnost razmaka između elektroda. U tehničkim podacima potražite ispravan razmak elektroda.
Svječića.	Svječića nije zategnuta.	Zategnite svječiću.
	Na elektrodam svječiće je nepoželjni materijal.	Provjerite ispravnost mješavine goriva. Provjerite je li filter zraka čist.

Motor se pokreće, no potom zaustavlja		
Provjera	Mogući uzrok	Rješenje
Spremnik za gorivo.	Nepravilna vrsta goriva.	Ispraznite spremnik za gorivo i upotrijebite prikladno gorivo.
Rasplinjač.	Motor ne radi ispravno u praznom hodu.	Razgovarajte sa svojim servisnim zastupnikom.

Motor se pokreće, no potom zaustavlja		
Provjera	Mogući uzrok	Rješenje
Filtar za zrak.	Začepljen filtar zraka.	Očistite filtar zraka.

Prijevoz i skladištenje

Prijevoz i skladištenje



UPOZORENJE: Kako biste onemogućili razvoj požara, onemogućite ispuštanja tekućina ili pare tijekom transporta ili skladištenja. Uvjerite se da ne postoji opasnost od iskrenja ili požara.

- Prije transporta ili dugotrajnog skladištenja ispraznite spremnik za gorivo. Pritišćite čašicu pumpe za gorivo kako biste uklonili sve gorivo. Zbrinite gorivo na prikladnoj lokaciji za zbrinjavanje.
- Prije dugotrajnog skladištenja proizvod morate očistiti i provesti puni servis.
- Izvadite svjećicu i u cilindar ulijte približno 15 ml ulja za dvotaktni motor. Tri puta okrenite proizvod i ponovno ugradite svjećicu.
- Za transport proizvod sigurno pričvrstite za vozilo.
- Proizvod držite u suhom, hladnom i čistom prostoru s dobrim protokom zraka. Proizvod držite podalje od djece.

Tehnički podaci

Tehnički podaci

	Husqvarna 345BT (BP152HV)
Motor	
Zapremnina cilindra, cm ³	51,7
Broj okretaja u praznom hodu, o/min	2800
Katalizator	Da
Sustav paljenja	
Svječića	NGK BPMR7A/Champion RCJ6Y
Razmak elektroda, mm	0,6 – 0,7
Zatezni moment svječiće, Nm	25 – 30
Sustav za gorivo i podmazivanje	
Zapremnina spremnika za gorivo, l/cm ³	1,0/1000
Težina	
Masa bez goriva, kg	10,0
Emisije buke ³⁴	
Razina jačine zvuka, mjerena u dB (A)	110
Razina jačine zvuka, zajamčena L _{WA} dB (A)	113
Razine buke ³⁵	
Jednakoznačna razina zvučnog tlaka na uhu korisnika, izmjerena sukladno EN15503 dB(A):	
Opremljen s mlaznicom puhača (originalno)	101
Razine vibracije ³⁶	
Ekvivalentne razine vibracija (a _{hV,eq}) na ručkama izmjerene u skladu s EN 15503, m/s ²	6,1
Rad ventilatora	
Maks. brzina zraka s mlaznicom visoke brzine, m/s	98,3
Protok zraka bez mlaznice visoke brzine, m ³ /min	13,9

³⁴ * Emisije buke u okoliš izmjerene kao jakost zvuka (L_{WA}) u skladu s Direktivom EZ 2000/14/EZ. Navedena razina jakosti zvuka izmjerena je originalnim reznim nastavkom koji daje najveću razinu. Razlika između zajamčene i izmjerene razine buke jest da zajamčena razina uključuje i raspršenje rezultata mjerenja i varijacije između različitih uređaja istog modela u skladu s Direktivom 2000/14/EZ.

³⁵ Navedeni podaci za razinu pritiska zvuka uključuju tipično statističko raspršenje (standardno odstupanje) od 3,0 dB (A).

³⁶ Podaci o razini vibracije pokazuju tipičnu statističku disperziju (standardnu devijaciju) od 1,5 m/s².

Izjava o sukladnosti EC

EZ izjava o sukladnosti

Mi, Husqvarna AB, SE 561 82 Huskvarna, ŠVEDSKA, izjavljujemo pod isključivom odgovornošću da je prikazani proizvod:

Opis	Benzinski puhač / puhač – usisivač
Marka	Husqvarna
Platforma / Vrsta / Model	Platforma BP152HV, koja predstavlja model 345BT
Grupa	Serijski brojevi iz 2022. i noviji.

Pär Martinsson

Odgovorna osoba za tehničku dokumentaciju



u potpunosti sukladan sljedećim EU direktivama i propisima:

Direktiva/propis	Opis
2006/42/EZ	„o strojevima“
2014/30/EU	“o elektromagnetskoj kompatibilnosti“
2000/14/EC	„o vanjskoj buci“
2011/65/EU	“o ograničenju uporabe određenih opasnih tvari“

Primijenjene su sljedeće usklađene norme i/ili tehničke specifikacije: EN ISO 12100:2010, EN 15503:2009+A2, CISPR 12:2007, EN ISO 14982:2009, EN IEC 63000:2018, EN IEC 63000:2018

U skladu s dodatkom V direktive 2000/14/EC, objavljene vrijednosti zvuka navedene su u odjeljku s tehničkim podacima u ovom priručniku.

Tvrtka TÜV Rheinland provela je nezavisno ispitivanje za tvrtku Husqvarna AB te je pružila AM 50391742 – certifikat o sukladnosti s Direktivom Vijeća 2006/42/EC za strojeve.

Certifikat je primjenjiv na sve proizvodne lokacije i zemlje podrijetla, kako je i navedeno na proizvodu.

Isporučen benzinski puhač / puhač – usisivač odgovara ispitanom primjerku.

U ime tvrtke Husqvarna AB, SE-561 82 Huskvarna, ŠVEDSKA,

TARTALOMJEGYZÉK

Bevezető.....	155	Hibaelhárítás.....	163
Biztonság.....	156	Szállítás és raktározás.....	164
Összeszerelés.....	159	Műszaki adatok.....	165
Üzemeltetés.....	159	EK megfelelőségi nyilatkozat.....	166
Karbantartás.....	161		

Bevezető

Termékleírás

A termék egy belső égésű motorral működő, hátton hordozható lombfúvó.

Folyamatosan fejlesztjük termékeinket, ezért fenntartjuk a jogot a termékek kialakításának és megjelenésének előzetes figyelmeztetés nélküli megváltoztatására.

A termék áttekintése

(ábra 1)

1. Gázadagoló kar
2. Váz
3. Heveder
4. Motorburkolat
5. Ventilátorburkolat
6. Levegőbeömlő rács
7. Légszűrő
8. Indítózsínór fogantyúja
9. Üzemanyagtartály
10. Deréköv
11. Gyújtógyertya
12. Rezgéscsillapító rendszer
13. Szívatókar
14. Vezérlőfogantyú
15. Leállítókapcsoló gázadagolóval
16. Gázadagoló
17. Csókönyök
18. Bilincsszerelvény
19. Rugalmas tömlő
20. Szabályozócső
21. Kábelrögzítő
22. Összekötő cső
23. Lombfúvó fúvókája
24. Kezelői kézikönyv
25. Kombinált kulcs
26. Üzemanyagpumpa
27. Nagysebességű fúvóka
28. Alapjárat-beállító csavar
29. Ventilátor
30. Lábtámasz

Rendeltetésszerű használat

A termék a levelek és egyéb nemkívánatos anyagok gyepről, gyalogösvényekről és aszfaltutakról való eltávolításához használható.

A terméken található jelzések

- (ábra 2) FIGYELEM! A termék veszélyes lehet a kezelőre és másokra, valamint a súlyos sérüléseket és halálukat okozhatja. Körültekintően járjon el, és megfelelően használja a terméket.
- (ábra 3) Olvassa el figyelmesen a használati utasítást, és győződjön meg arról, hogy megértette azt, mielőtt a terméket használatba veszi.
- (ábra 4) Használjon jóváhagyott fülvédőt és védőszemüveget. Ha poros környezetben dolgozik, használjon porvédő maszkot.
- (ábra 5) A működtetés és karbantartás során viseljen jóváhagyott védőkesztyűt. Viseljen csúszásgátló talppal ellátott védőcsizmát vagy lábbelit. Erős anyagból készült, teljes hosszúságú ruházatot használjon.
- (ábra 6) Ha hosszú haja van, úgy kösse fel, hogy az ne érjen le a válláig.
- (ábra 7) A működtetés közben ne viseljen ékszert vagy bő ruházatot.
- (ábra 8) Benzin és kétütemű olaj keveréke.
- (ábra 9) Üzemanyagpumpa.
- (ábra 10) Tartsa távol a testrészeit a forró felületektől.

(ábra 11) Ne menjen a forgó járókerék közelébe.

(ábra 12) Szívató, nyitott állás.

(ábra 13) Szívató, zárt állás.

(ábra 14) Alapjárat-beállító csavar.

(ábra 15) Ez a termék megfelel a vonatkozó EK irányelveknek.

(ábra 16) A termék megfelel a vonatkozó egyesült királyságbeli irányelveknek.

(ábra 17) A 2000/14/EK számú európai irányelvnek és New South Wales „Környezetben történő munkavégzés (zajszabályozás) szabályozása, 2017” irányelvének megfelelő környezeti zajszennyezés. A zajszennyezésre vonatkozó adatok a gép címkéjén és a Műszaki adatok című fejezetben találhatóak.

(ábra 18) Figyeljen a felcsapódó tárgyakra. A felcsapódó tárgyak súlyos sérülést okozhatnak. Használjon személyi védőfelszerelést.

(ábra 19)

éééééhxóóóó

Tartson legalább 15 m-es biztonsági távolságot a személyektől és állatoktól.

A típusablán vagy a lézeryomtatott jelölésen megtalálható a sorozatszám. **éééé** a gyártási év és **hh** pedig a gyártási hét.

Megjegyzés: A terméken szereplő többi jelölés/címke a további piacok specifikus vizsgáztatási követelményeire vonatkozik.

Termékszavatosság

A termékszavatosságra vonatkozó jogszabályok értelmében nem vagyunk felelősek a termékeink által okozott károkért az alábbi esetekben:

- a termék javítását helytelenül végezték;
- a termék javítása nem a gyártótól származó vagy általa jóváhagyott alkatrészekkel történt;
- a terméket nem a gyártótól származó vagy általa jóváhagyott kiegészítővel szerelték fel;
- a termék javítását nem hivatalos szakszerviz vagy jóváhagyott egyéb szerviz végezte.

Biztonság

Biztonsági fogalom meghatározások

Az alábbi fogalom meghatározások az egyes figyelmeztetésekhez tartozó, lehetséges veszélyek súlyosságát határozzák meg.



FIGYELMEZTETÉS: Személyi sérülés veszélye.



VIGYÁZAT: A termék károsodásának veszélye.

Megjegyzés: Ezek az információk a termék használatát könnyítik meg.

Általános biztonsági utasítások



FIGYELMEZTETÉS: A termék használata előtt olvassa el az alábbi figyelmeztetéseket.

- Ne hajtson végre módosításokat a terméken a gyártó jóváhagyása nélkül, és minden esetben

eredeti tartozékokat használjon. A gyártó által nem engedélyezett módosítások és/vagy tartozékok a kezelő vagy mások súlyos vagy halálos sérülését okozhatják.

- Ne használjon sérült terméket. A jelen használati utasításban előírtak szerint végezze el a biztonsági ellenőrzéseket és a karbantartást. Minden egyéb karbantartási munkát csak hivatalos szervizszakember végezhet el.
- Minden szervizelési és javítási műveletet hivatalos szervizszakembernek kell elvégeznie. Ha a termék valamelyik része hibás, forduljon az illetékes szakszervizhez.

Rezgéssel kapcsolatos biztonsági tudnivalók

Ez a termék csak alkalmanként használható. A termék folyamatos vagy rendszeres használata a rezgés miatt ujfnehéredést vagy hasonló tüneteket okozhat. Ha folyamatosan vagy rendszeresen használja a terméket, vizsgálta meg kezei és ujjai egészségi állapotát. Ha kézfeje vagy ujjai elszíneződtek, fájnak, bizseregnek vagy zsibbadnak, ne folytassa a munkát, és forduljon azonnal orvoshoz.

Biztonsági utasítások az üzemeltetéshez



FIGYELMEZTETÉS: A termék használata előtt olvassa el az alábbi figyelmeztetéseket.

- A termék veszélyes lehet a kezelőre és másokra, valamint a súlyos sérüléseket és halálukat okozhatja. Körültekintően járjon el, és megfelelően használja a terméket.
- Használat előtt ellenőrizze a terméket. Lásd: *Karbantartás 161. oldalon.*
- Ne használja a terméket, ha fáradt, beteg, illetve ha alkohol, drog vagy gyógyszer hatása alatt áll, mert ezek negatív hatással lehetnek a látására, ítéliképességére vagy koordinációjára.
- Használat előtt szerelje fel az összes burkolatot és védőelemet. Az áramütés elkerülése érdekében győződjön meg arról, hogy a gyertyapipa és a gyújtáskábel nem sérült-e.
- Ne érintse meg a gyújtógyertyát vagy a gyújtáskábelt, amikor a motor jár.
- Tartson legalább 15 m-es biztonsági távolságot a személyektől és állatoktól. Ha személyek, gyermekek vagy állatok 15 méternél közelebb jönnek, állítsa le a terméket. Ne fordítsa a terméket személyek, állatok, nyitott ablakok vagy más tárgyak felé.
- Ne engedje, hogy gyermekek működtessék a terméket. Győződjön meg róla, hogy minden kezelő elolvasta és megértette a jelen használati utasítás tartalmát.
- Működés közben tartsa távol kezét és az egyéb tárgyakat a lombfúvó burkolatától. A forgó alkatrészek súlyos sérülést okozhatnak.
- Ne használja a terméket a levegőbeömlő rács nélkül. Használat előtt mindig győződjön meg arról, hogy a levegőbeömlő rács fel van szerelve, és nem sérült.
- Vészhelyzet esetén oldja ki a heveder derék- és mellkasövét, és hagyja a földre esni a terméket.
- Tartsa be a nemzeti szabályozásokat és irányelveket.
- Tartsa távol a testrészeit a forró felületektől.
- A túl sok rezgés károsíthatja a vérkeringést és az idegrendszert. Amennyiben olyan tüneteket észlel, mint például a zsibbadás, érzéskiesés, bizsergés, szúrás, fájdalom, gyengeség vagy a bőr színének megváltozása az ujjain, kezén vagy csuklóján, forduljon kezelőorvosához.
- Figyeljen a felcsapódó tárgyakra. A felcsapódó tárgyak súlyos sérülést okozhatnak.
- Ne használja a terméket rossz időjárási viszonyok között, például ködben, esőben, nagy szélben vagy nagy hidegben. A rossz időjárási körülmények melletti munkavégzés fáradtságot és veszélyes körülményeket okozhat.

- Ügyeljen arra, hogy szabadon mozoghasson, és dolgozzon stabil testhelyzetben. Ellenőrizze a munkaterületet, hogy található-e rajta akadályok, például kővek. Legyen óvatos, ha a terméket lejtőn használja.
- Ne tegye le a földre a terméket járó motorral.
- Ne használja a terméket magasban, például létrán.
- Ügyeljen arra, hogy egy esetleges baleset esetén mindig meghallják.
- Ellenőrizze, hogy nincs-e eltömődve a kipufogónyílás. A termék károsodásának megelőzése érdekében tartsa az akadályokat legalább 50 cm-es távolságra a kipufogónyílástól.
- Ne indítsa be a terméket zárt helyiségben, rossz légáramlás esetén vagy gyúlékony anyagok közelében. A motor kipufogógázai szén-monoxidot tartalmaznak, ami szénmonoxid-mérgezést okozhat. A motor kipufogógázai forróak, és szikrát tartalmazhatnak, ami tüzet okozhat.

Személyi védőfelszerelés



FIGYELMEZTETÉS: A termék használata előtt olvassa el az alábbi figyelmeztetéseket.

- Amikor a terméket használja, viseljen jóváhagyott személyi védőfelszerelést. A személyi biztonsági felszerelés nem előzi meg teljes mértékben a sérüléseket, de csökkentheti azok mértékét. További információért forduljon szakkereskedőjéhez.
- Használjon jóváhagyott fülvédőt. Hosszú távon a tartós zajártalom maradandó halláskárosodást okozhat.
- Használjon jóváhagyott védőszemüveget. Ha arcvédőt használ, jóváhagyott védőszemüveget is kell viselnie. Jóváhagyott védőszemüvegek azok, amelyek megfelelnek az ANSI Z87.1 (USA) illetve EN 166 (EU-oroszágok) szabványoknak.
- A működtetés és karbantartás során viseljen védőkesztyűt.
- Viseljen csúszásgátló talppal ellátott védőcsizmát vagy lábbelit.
- Erős anyagból készült, teljes hosszúságú ruházatot használjon. Ne viseljen ékszer vagy nyitott lábbelit. A sérülés kockázatának csökkentése érdekében a ruházatnak szorosan kell illeszkednie, de nem szabad korlátoznia a mozgás szabadságát. Fogja fel úgy a haját, hogy az a vállai felett legyen, hogy ne kerülhessen a forgó alkatrészek közelébe, és ne akadjon fel az ágakban.
- Por veszélye esetén viseljen légzésvédőt.
- Tartsa kéznél az elsősegélykészletet.

Biztonsági eszközök a terméken



FIGYELMEZTETÉS: A termék használata előtt olvassa el az alábbi figyelmeztetéseket.

- Ne használjon olyan terméket, amelynek hibásak a biztonsági eszközei.
- Rendszeresen ellenőrizze a biztonsági eszközöket. Lásd az *Karbantartás 161. oldal*on fejezetet.
- A biztonsági eszközök meghibásodása esetén vegye fel a kapcsolatot a Husqvarna szakszervizzel.

A hangfogó ellenőrzése



FIGYELMEZTETÉS: Ne használja a terméket, ha a hangfogó meghibásodott.



FIGYELMEZTETÉS: A hangfogó a működés közben és után, valamint alapjárat fordulatszám on is felforrósodik. A sérülések elkerülésének érdekében használjon védőkesztyűt.



FIGYELMEZTETÉS: A hangfogó belsejében rákkeltő vegyi anyagok is lehetnek. Ne nyúljon a sérült hangfogóhoz!

- Rendszeres időközönként szemrevételezéssel ellenőrizze a hangfogót. A hangfogó minimálisra csökkenti a zajszintet és elvezeti a kipufogógázokat a kezelő közeléből. Lásd: *A hűtőrendszer ellenőrzése és tisztítása 162. oldal*on.

A rezgéscsillapító rendszer ellenőrzése

1. Győződjön meg arról, hogy nincsenek repedések vagy eldeformálódás a rezgéscsillapító rendszer egységein.
2. Ellenőrizze, hogy a rezgéscsillapító egységek megfelelően kapcsolódnak-e a motortesthez és a fogantyúkhöz.

A rezgéscsillapító rendszer elhelyezkedésével kapcsolatos információkat illetően tekintse át a következőt: *A termék áttekintése 155. oldal*on.

A be/ki kapcsoló ellenőrzése

1. A motor leállításához nyomja meg a be/ki kapcsolót.
2. Győződjön meg arról, hogy a motor teljesen leállt.

A termék indító-/leállítókapcsolójának elhelyezésével kapcsolatban lásd: *A termék áttekintése 155. oldal*on.

A heveder biztonságos használata

A termék működtetésekor mindig használja a hevedert. Ha nem használja a hevedert, nem lesz képes

biztonságosan működtetni a terméket. Ez veszélyt jelenthet Önre és másokra is. Győződjön meg róla, hogy a derékszíj és a mellpánt rögzítve van, és megfelelően van-e beállítva. Fennáll a veszélye, hogy a termék ventilátora berántja a bekapcsolatlan szíjat.

(ábra 20)

Üzemanyaggal kapcsolatos biztonság



FIGYELMEZTETÉS: A termék használata előtt olvassa el az alábbi figyelmeztetéseket.

- Ne keverjen vagy töltsön üzemanyagot beltéren vagy hőforrás közelében.
- Ne indítsa be a terméket, ha üzemanyag vagy olaj került a termékre vagy Önre.
- Ne indítsa be a motort, ha a motornál üzemanyag-szivárgás észlelhető. Vizsgálja meg rendszeresen a motort üzemanyag-szivárgás szempontjából.
- Mindig bánjon óvatosan az üzemanyaggal. Az üzemanyag gyúlékony, a gőzei robbanásveszélyesek, ezért súlyos, vagy akár végzetes sérülést is okozhat.
- Ne lélegezze be az üzemanyag gőzeit, egészségkárosodást okozhatnak. Gondoskodjon megfelelő légáramlásról.
- Az üzemanyag vagy a motor közelében ne dohányozzon.
- Ne vigye a terméket vagy az üzemanyagtartályt forró tárgyak közelébe, vagy olyan helyre, ahol nyílt láng, szikra vagy őrláng található.
- Mindig engedélyezett tartályokat használjon az üzemanyag tárolására és szállítására.

Biztonsági utasítások a karbantartáshoz



FIGYELMEZTETÉS: A termék használata előtt olvassa el az alábbi figyelmeztetéseket.

- Karbantartás vagy összeszerelés előtt állítsa le a motort, távolítsa el a gyújtógyertyát, és hagyja lehűlni a motort.
- Az eltömődött szikrafogó háló a motor túlhevülését okozhatja, amely a motor károsodásához vezet.
- Ha a szikrafogó háló gyakran eltömődik, ez annak lehet a jele, hogy csökkent a katalizátor teljesítménye. A hangfogó ellenőrzésével kapcsolatban forduljon a szakszervizhez.

Összeszerelés

Bevezető



FIGYELMEZTETÉS: Figyelmesen olvassa el a biztonságról szóló fejezetet, mielőtt összeállítaná a terméket.

A fűvócső és a vezérlőfogantyú felszerelése a termékre

Megjegyzés: Vigyen fel kenőanyagot a csövekre és a rugalmas tömlőre, hogy könnyebben össze lehessen őket szerelni.

1. Rögzítse a rugalmas tömlőt (A) a csőkönyökre és a szabályozócsőre (B) a bilincsek (C és D) segítségével. (ábra 21)

2. Rögzítse a fogantyútartót (E) a szabályozócsőhöz. Igazítsa a fogantyútartót a szabályozócső peremével egy vonalba. (ábra 22)
3. Állítsa a vezérlőfogantyút biztonságos és megfelelő munkahelyzetbe. Húzza meg a gombot.
4. Rögzítse a kábelt a rugalmas tömlőre a kábelrögzítő segítségével. (ábra 23)
5. Rögzítse az összekötő csövet a szabályozócsőre. (ábra 24)
6. Csatlakoztassa a lombfúvó fűvókáját az összekötő csőhöz.

Megjegyzés: A lombfúvó fűvókáját csak az összekötő csőre lehet felszerelni.

7. A nagyobb légsebesség érdekében rögzítse a nagysebességű fűvókát a lombfúvó fűvókájára.

Üzemeltetés

Bevezető



FIGYELMEZTETÉS: A termék használata előtt figyelmesen olvassa el a biztonságról szóló fejezetet.

Üzemanyag

A termékben kétütemű motor működik.



VIGYÁZAT: A nem megfelelő üzemanyag használata a motor károsodásához vezethet. Benzint és kétütemű motorolajat keverékét használja üzemanyagként.

Előkevert üzemanyag

- A jó teljesítmény és a motor élettartamának megnövelése érdekében előkevert Husqvarna alkilüzemanyagot használjon. Ez az üzemanyag típus kevesebb a hagyományos üzemanyagokhoz képest kevesebb vegyszert tartalmaz, így a kipufogó károsanyag-kibocsátása is mérséklődik. Az égés után visszamaradó anyagok mennyisége ezen üzemanyag esetében kevesebb, ami tisztább állapotban tartja a motor alkotóelemeit.

Az üzemanyag keverése

Benzin

- Jó minőségű, legfeljebb 10% etanolt (E10) tartalmazó, ólmozatlan benzint használjon.



VIGYÁZAT: Ne használjon 90 RON/87 AKI értéknel alacsonyabb oktánszámú benzint. Alacsonyabb oktánszám esetén kopogás jelentkezhet a motorban, ami a motor károsodását okozhatja.

Kétütemű motorhoz való olaj

- A legjobb eredmények és teljesítmény érdekében használjon Husqvarna kétütemű motorolajat.
- Ha nem áll rendelkezésre Husqvarna kétütemű motorolaj, használjon más jó minőségű, léghűtéses motorokhoz készült kétütemű olajat. A megfelelő olaj kiválasztását illetően forduljon az illetékes szakszervizhez.



VIGYÁZAT: Ne használjon vízhűtéses külső motorokhoz való kétütemű motorolajat (más néven „outboard” olajat). Soha ne használjon négyütemű motorokhoz való olajat.

Benzin és kétütemű olaj összekeverése

Benzin, liter	Kétütemű olaj, liter
	2% (50:1)
5	0,10
10	0,20
15	0,30



VIGYÁZAT: Kisebbs mennyiségű üzemanyag kikeverések fennáll a veszélye, hogy az apróbb hibák jelentősen befolyásolják a keverési arányt. A helyes keverési arány érdekében gondosan mérje ki a keverékekhez adagolandó olaj mennyiségét.

(ábra 25)

1. Töltse bele a benzint felé egy üzemanyaghoz való, tiszta tartályba.
2. Töltse be a teljes olajmennyiséget.
3. Rázza össze az üzemanyag-keveréket.
4. Öntse bele a benzint megmaradó részét a tartályba.
5. Óvatosan rázza össze az üzemanyag-keveréket.



VIGYÁZAT: Ne keverjen be 1 havi adagnál több üzemanyagot egyszerre.

Az üzemanyagtartály feltöltése



FIGYELMEZTETÉS: Biztonsága érdekében tartsa be az alábbi eljárást.

1. Állítsa le a motort, és várja meg, amíg lehűl.
2. Tartsa tisztán az üzemanyagtartály sapkájának környékét. (ábra 26)
3. Rázza össze a tartályt, és győződjön meg róla, hogy az üzemanyag megfelelően összekeveredett-e.
4. Lassan távolítsa el az üzemanyagtartály sapkáját, hogy kiengedje a nyomást.
5. Töltse fel az üzemanyagtartályt.



VIGYÁZAT: Ügyeljen arra, hogy ne töltsön túl sok üzemanyagot az üzemanyagtartályba. Hő hatására az üzemanyag kitágul.

6. Húzza meg óvatosan az üzemanyagtartály sapkáját.
7. Távolítsa el a kiömlött üzemanyagot a termékről és környékéről.
8. A motor beindítása előtt, vigye el a terméket a tankolás helyétől és forrásától legalább 3 m távolságra.

Megjegyzés: Ha szeretné megtudni, hogy az üzemanyagtartály hol van a terméken, lásd: *A termék áttekintése 155. oldal.*

Hideg motor indítása



FIGYELMEZTETÉS: Beindításkor a gép azonnal elkezd levegőt fújni, még alapjáraton is. Senkinek se engedje, hogy a lombfúvó vagy a fúvócső közelében tartózkodjon.

1. Ha a motor hideg, állítsa a szivatókart (A) zárt szivatóállásba. Lásd: *A terméken található jelzések 155. oldal.* (ábra 27)
2. Nyomja meg többször az üzemanyagpumpát (B) legalább 10 alkalommal, amíg töltődni nem kezd üzemanyaggal. Az üzemanyagpumpát nem szükséges teljes mértékben megtölteni.
3. Helyezze a gázadagolót a gyors alapjárat állásba. Igazítsa össze a gázadagoló karon és a vezérlőfogantyún található vezetőjelöléseket. (ábra 28)
4. Fektesse a terméket vízszintes talajfelületre.
5. Tartsa meg a terméket a bal kezével, és helyezze egyik lábát a lábtámaszra. (ábra 29)
6. Húzza meg lassan az indítószinőr fogantyúját jobb kézzel, amíg ellenállást nem érez.

Megjegyzés: Ne húzza ki teljesen az indítószinőr fogantyúját, és ne is engedje el azt.

7. Húzza meg gyorsan az indítószinőr fogantyúját jobb kézzel (legfeljebb 6 alkalommal), amíg a motor be nem indul vagy meg nem kísérel beindulni. Ha a motor beindul, állítsa a szivatókart fokozatosan a nyitott helyzetbe, és folytassa a 11. lépéssel. Ha a motor nem indul be, folytassa a 9. lépéssel.
 8. Amikor a motor megpróbál beindulni, mozgassa fokozatosan a szivatókart a nyitott állásba.
 9. Húzza meg gyorsan az indítószinőr fogantyúját jobb kézzel (legfeljebb 6 alkalommal), amíg a motor be nem indul.
10. Hagyja a motort járni 30 másodpercig.
11. Állítsa a gázadagolót alapjárat fordulatszámra. (ábra 30)
12. A lombfúvó fordulatszámának beállításához nyomja be a gázadagoló reteszét. Lásd: *A gázadagoló reteszének használata 161. oldal.*

Meleg motor indítása

- 32 °C (90 °F) fölötti hőmérséklet esetén kövesse a(z) *Hideg motor indítása 160. oldal*on részben ismertetett indítási eljárást, azonban ne helyezze a szivatókart a zárt szivatóállásba.

- Ha a környezeti hőmérséklet 32 °C (90 °F) feletti, alkalmazza a következő eljárást: *Hideg motor indítása 160. oldalon.*

A gázadagoló reteszének használata

- Ha műkötetés közben növelni szeretné a lombfűvő fordulatszámát, nyomja addig a gázadagoló reteszét, amíg el nem éri a kívánt fordulatszámot. (ábra 31)
- Ha műkötetés közben csökkenteni szeretné a lombfűvő fordulatszámát, engedje fel addig a gázadagoló reteszét, amíg el nem éri a kívánt fordulatszámot.

A motor beindítása forró üzemanyag mellett

Ha a termék nem indul be, az üzemanyag túl forró lehet.

Megjegyzés: Mindig új üzemanyagot használjon, és kerülje a használatot meleg időben.

1. Tegye a terméket hűvös helyre, közvetlen napsütéstől távol.
2. Hagyja, hogy a termék legalább 20 percen át hűljön.
3. Nyomja meg az üzemanyagpumpát többször egymás után 10-15 másodpercen át.
4. Kövesse a hideg motor indításának lépéseit. Lásd: *Hideg motor indítása 160. oldalon.*

A termék működtetése

- A terméket az általános munkaidő alatt működtesse. Tartsa be a helyi előírásokat.
- Csökkentse a berendezések számát, és válassza ki a feladathoz megfelelő fordulatszámot. A szükségesnél nagyobb mennyiségű zaj és por megelőzése érdekében a motort a lehető legalacsonyabb fordulatszámon működtesse.
- Tartsa a lombfűvő fűvőkáját a talaj közelében.

Megjegyzés: A Husqvarna javasolja a teljes fűvókahosszbővítő használatát.

- Figyelje meg a szélirányt, és a terméket a széliránnyal megegyező irányba működtesse.
- A megfelelő kerti szerszámok segítségével lazítsa fel az anyagokat a talajról.
- A poros területeken permetezővel nedvesítse meg a felszínt. Ez csökkenti az üzemidőt.
- Használat után függőleges helyzetben tárolja a terméket.

A termék leállítása



VIGYÁZAT: A terméket ne a teljes fordulatszám mellett állítsa le.

1. Nyomja meg a leállítókapcsolót. (ábra 32)

Megjegyzés: Amikor a termék leáll, egy koppanó hang hallható. Ez természetes jelenség, és nem utal a termék meghibásodására.

A heveder beállítása

1. Helyezze a hevedert a termékre.
2. Vezesse körbe a derékszíjat a derekán, és kapcsolja be az övcsatba. (ábra 33)
3. Húzza meg a deréköv szíját. (ábra 34)
4. Csatlózza be a mellpántot az övcsatba. (ábra 35)
5. Igazítsa be a mellpántot. (ábra 36)
6. Húzza meg a mellpántot. (ábra 37)
7. Húzza meg annyira a vállpántokat, hogy a termék szorosan a testéhez illeszkedjen. (ábra 38)
8. Szorítsa meg a teheremelő pántokat. (ábra 39)

Karbantartás

Bevezető



FIGYELMEZTETÉS: A termék karbantartása előtt olvassa el és értelmezze a biztonsággal foglalkozó fejezetet.

Karbantartási terv

Karbantartás	Naponta	Hetente	Havonta
Tisztítsa meg a külső felületeket.	X		
Győződjön meg arról, hogy a vezérlőfogantyú megfelelően működik-e.	X		
Győződjön meg arról, hogy az indító-/leállítókapcsoló megfelelően működik-e. Lásd: <i>A be/ki kapcsoló ellenőrzése 158. oldalon.</i>	X		

Karbantartás	Naponta	Hetente	Havonta
Keressen szivárgást a motoron, az üzemanyagtartályon és az üzemanyag-vezetékeken. Ellenőrizze, hogy az üzemanyagszűrő nem szennyezett-e. Szükség esetén cserélje ki az üzemanyagszűrőt.	X		
Tisztítsa meg a levegőszűrőt. Szükség esetén cserélje ki a légszűrőt.	X		
Húzza meg a csavarokat és az anyákat.	X		
Ellenőrizze a levegőbeömlő nyílást, hogy nincs-e eltömődve.	X		
Keressen sérülést az indítón és az indítózsinór.		X	
Vizsgálja meg a rezgéscsillapító egységeket, hogy nem láthatók-e rajtuk sérülések, repedések vagy nincsenek-e eldeformálódva. Ügyeljen arra, hogy a rezgéscsillapító egységek megfelelően legyenek felszerelve.		X	
Ellenőrizze a gyújtógyertyát. Lásd: <i>A gyújtógyertya ellenőrzése 162. oldalon.</i>		X	
Tisztítsa ki a hűtőrendszert.		X	
Tisztítsa meg a porlasztó külsejét és környezetét.		X	
Tisztítsa meg az üzemanyagtartályt.			X
Ellenőrizze az összes kábelt és csatlakozót.			X
Vizsgálja és tisztítsa meg a hangfógó szikrafógó hálóját (katalizátor nélküli termékek esetén).		X	
Vizsgálja és tisztítsa meg a hangfógó szikrafógó hálóját (katalizátorral ellátott termékek esetén).			X
Ellenőrizze a gyújtógyertyát. Szükség esetén cserélje ki.			X

Az alapjárat fordulatszám beállítása

- Győződjön meg arról, hogy a levegőszűrő tiszta-e, és hogy a fedele fel van-e szerelve.
- Állítsa be az alapjárat fordulatszámot az alapjárat-beállító csavarral. A termék alapjárat-beállító csavarjának helyével kapcsolatban lásd: *A termék áttekintése 155. oldalon.*

A gyújtógyertya ellenőrzése



VIGYÁZAT: Használjon ajánlott típusú gyújtógyertyát. Lásd az *Műszaki adatok 165. oldalon* fejezetet. A nem megfelelő gyújtógyertya károsíthatja a terméket.

- Állítsa le a motort, és várja meg, amíg a termék lehűl.
- Tisztítsa meg a gyújtógyertyát, ha elszennyeződött.
- Ellenőrizze, hogy megfelelő-e a szikraköz. Lásd: *Műszaki adatok 165. oldalon.* (ábra 40)
- Havonta vagy szükség esetén ennél gyakrabban cserélje ki a gyújtógyertyát.

A hangfógó karbantartása



VIGYÁZAT: Ha a szikrafógó háló gyakran eltömődik, ez annak lehet a jele, hogy csökkent a katalizátor teljesítménye. A hangfógó ellenőrzésével kapcsolatban forduljon a szakkereskedéshez. Egy eltömődött szikrafógó háló a termék túlmelegedéséhez, valamint a henger és a dugattyú sérüléséhez vezet.



VIGYÁZAT: Ha a szikrafógó háló megsérült, akkor ki kell cserélni. H a hangfógó szikrafógó hálója hiányzik vagy hibás, ne használja a terméket.

- Tisztítsa meg a hangtompító szikrafógóját. Használjon drótkéfé. (ábra 41)
- Végeztesse el egy szakkereskedésben a hangfógó és a szikrafógó háló cseréjét vagy szervizelését 50 üzemórát követően.

A hűtőrendszer ellenőrzése és tisztítása

A hűtőrendszer magában foglalja a hengeren lévő hűtőbordákat, valamint a levegőbeömlő rácsot.

1. Állítsa le a motort.
2. Ellenőrizze, hogy nem szennyeződött-e a hűtőrendszer, illetve nincs-e eltömődve. Szükség esetén tisztítsa meg a levegőbeömlő rácsot és a hűtőbordákat.



VIGYÁZAT: A szennyezett vagy eltömődött hűtőrendszer a motor túlmelegedéséhez vezethet, ami a termék sérülését okozhatja. Az eltömődött levegőbeömlő rács csökkenti a fűvőerőt.

3. Ellenőrizze, hogy nem található-e sérülés a hűtőrendszeren. Ellenőrizze, hogy az alkatrészek megfelelően vannak-e rögzítve a termékhez.

A levegőszűrő megtisztítása



VIGYÁZAT: Ne használja a terméket levegőszűrő nélkül vagy sérült

levegőszűrővel. A levegőben lévő por károsíthatja a motort.

1. Állítsa a szivatókart zárt állásba.
2. Vegye le a levegőszűrő fedelét (A).
3. Távolítsa el a levegőszűrő fedelén található előszűrőt (B). (ábra 42)
4. Vegye le a levegőszűrőt (C) a szűrőkeretről.
5. Tisztítsa meg az előszűrőt és a levegőszűrőt meleg szappanos vízzel.

Megjegyzés: A hosszú ideje használatban lévő levegőszűrőt nem lehet teljesen kicserélni. Rendszeresen cserélje ki a levegőszűrőt, és minden esetben cserélje ki a meghibásodott levegőszűrőt.

6. Kéfével tisztítsa meg a levegőszűrő fedelének (A) belső felületét.
7. Helyezze be a levegőszűrőt a szűrőkeretbe.
8. Helyezze fel az előszűrőt és a levegőszűrő fedelére.
9. Szerelje fel a levegőszűrő fedelét a termékre.

Hibaelhárítás

A motort nem lehet beindítani		
Ellenőrzés	Lehetséges ok	Megoldás
Indítófogak.	Blokkolt vagy kopott indítófogak.	Állítsa be vagy cserélje ki az indítófoga(ka)t.
		Tisztítsa meg az indítófog(ak) környékét.
		Beszélgjen egy hivatalos szakszervizzel.
Üzemanyagtartály.	Nem megfelelő üzemanyag.	Engedje le az üzemanyagtartályt és töltsön bele megfelelő üzemanyagot.
Porlasztó.	Az alapjárat fordulatszám beállítása.	Állítsa be az alapjárat fordulatszámot az alapjárat-beállító csavarral.
Szikrázás (nincs szikra).	A gyújtógyertya elszennyeződött vagy nedves.	Bizonyosodjon meg róla, hogy a gyújtógyertya száraz és tiszta.
	A gyújtógyertya szikraköze nem megfelelő.	Tisztítsa meg a gyújtógyertyát. Ellenőrizze, hogy megfelelő-e a szikraköz.
		A megfelelő szikraközért tekintse át a műszaki adatokat.

A motort nem lehet beindítani		
Ellenőrzés	Lehetséges ok	Megoldás
Gyújtógyertya.	A gyújtógyertya nincs megfelelően meghúzva.	Húzza meg a gyújtógyertyát.
	A gyújtógyertya elektródáin idegen anyagok találhatóak.	Gondoskodjon a megfelelő üzemanyag-keverékről. Gondoskodjon a levegőszűrő tisztaságáról.

A motor elindul, de leáll		
Ellenőrzés	Lehetséges ok	Megoldás
Üzemanyagtartály.	Nem megfelelő üzemanyag.	Engedje le az üzemanyagtartályt, és töltsön bele megfelelő üzemanyagot.
Porlasztó.	A motor nem működik megfelelően alapjáratú fordulatszámmon.	Forduljon az illetékes szakszervizhez.
Levegőszűrő.	Eltömődött a légszűrő.	Tisztítsa meg a légszűrőt.

Szállítás és raktározás

Szállítás és raktározás



FIGYELMEZTETÉS: A tűzveszély elkerülése érdekében ügyeljen arra, hogy szállítás vagy tárolás közben ne legyen szivárgás vagy füst. Ügyeljen arra, hogy ne legyen szikra- vagy tűzveszély.

- Tartsa a terméket száraz, hűvös és tiszta helyen, ahol megfelelő a légáramlás. A termék gyermekektől elzárva tartandó.

- Szállítás vagy hosszú távú tárolás előtt ürítse ki az üzemanyagtartályt. Nyomja meg az üzemanyagpumpát, és győződjön meg arról, hogy minden üzemanyagot eltávolított. A felesleges üzemanyagot adja le egy erre kijelölt gyűjtőpontra.
- Hosszú távú tárolás előtt tisztítsa meg a terméket és végeztesse rajta teljes körű szervizelést.
- Távolítsa el a gyújtógyertyát, és öntsön nagyjából 15 ml kétütemű olajat a hengerbe. Forgassa meg háromszor a terméket, majd helyezze vissza a gyújtógyertyát.
- Szállítás közben rögzítse biztonságosan a terméket a járműhöz.

Műszaki adatok

Műszaki adatok

	Husqvarna 345BT (BP152HV)
Motor	
Hengerűrtartalom, cm ³	51,7
Üresjárat fordulatszám, ford./perc	2800
Katalizátor	Igen
Gyújtásrendszer	
Gyújtógyertya	NGK BPMR7A/Champion RCJ6Y
Elektródahézag, mm	0,6–0,7
Gyújtógyertya-nyomaték, Nm	25–30
Üzemanyag- és olajozási rendszer	
Üzemanyagtartály űrtartalma, l/cm ³	1,0/1000
Tömeg	
Tömeg üzemanyag nélkül, kg	10,0
Zajkibocsátás ³⁷	
Hangteljesítményszint, mért dB (A) érték	110
Hangteljesítményszint, garantált, L _{WA} dB (A)	113
Zajszintek ³⁸	
A kezelő hallószervére gyakorolt, az EN15503 szabvány szerint mért hangnyomásszint, dB(A):	
Lombfúvó-fúvókával felszerelve (eredeti elem)	101
Rezgésszintek ³⁹	
Az EN 15503 szabvány szerint mért ekvivalens rezgésszintek (a _{h_v,eq}) a fogantyúkon, m/s ²	6,1
Ventilátor teljesítménye	
Max. levegősebesség nagysebességű fúvókával, m/s:	98,3
Légáram nagysebességű fúvóka nélkül, m ³ /perc:	13,9

³⁷ A környezetben a 2000/14/EK sz. EK irányelvvel összhangban hangteljesítményként mért zajkibocsátás (L_{WA}). A gép jelentősben szereplő hangteljesítményszintjét a legmagasabb szintet produkáló eredeti vágófel-szereléssel mérték. A garantált és a mért hangteljesítmény közötti különbségnek az az oka, hogy a garantált hangteljesítmény tartalmazza a mérési eredményben lévő ingadozást és az azonos modellű gépek közti eltéréseket is a 2000/14/EK jelű irányelv értelmében.

³⁸ A zajnyomásszintre vonatkozó jelentési adatok az 3,0 dB (A) tipikus statisztikus ingadozásával (szórásával) rendelkeznek.

³⁹ A rezgésszintre vonatkozó jelentési adatok az 1,5 m/s² tipikus statisztikus ingadozásával (szórásával) rendelkeznek.

EK megfeleléségi nyilatkozat

EK megfeleléségi nyilatkozat

A Husqvarna AB, SE 561 82 Huskvarna, SVÉDORSZÁG a saját felelősségére kijelenti, hogy a jelzett termék:

Leírás	Benzinmotoros fűvókészülék/avarporszívó
Márka	Husqvarna
Platform / Típus / Modell	BP152HV platform, amely az alábbi típust képviseli: 345BT.
Sarzs	2022-es és újabb sorozatszámok.

teljes mértékben megfelelnek a következő EU-irányelveknek és rendeleteknek:

Irányelv/rendelet	Leírás
2006/42/EK	„gépre vonatkozó”
2014/30/EU	„elektromágneses megfeleléségre vonatkozó”
2000/14/EK	„kültéri zajkibocsátásra vonatkozó”
2011/65/EU	„bizonyos veszélyes anyagok alkalmazásának korlátozásával kapcsolatos”

Az alábbi harmonizált szabványok és/vagy műszaki előírások kerültek alkalmazásra: EN ISO 12100:2010, EN 15503:2009+A2, CISPR 12:2007, EN ISO 14982:2009, EN IEC 63000:2018, EN IEC 63000:2018

A zajértékek a 2000/14/EK irányelv V. mellékletének megfelelően a használati utasításban, a műszaki adatokat tartalmazó fejezetben található.

A TÜV Rheinland önkéntes vizsgálatot végzett a Husqvarna AB számára, és az alábbi bocsátotta ki: AM 50391742 – Megfeleléségi nyilatkozat az Európai

Tanács gépekre vonatkozó, 2006/42/EK irányelvére vonatkozóan.

A tanúsítvány a terméken jelzettek szerint minden gyártási helyre és országra érvényes.

A szállított benzinmotoros fűvókészülék/avarporszívó megfelel a vizsgálaton átesett példadarabnak.

A Husqvarna AB SE-561 82 Huskvarna, SVÉDORSZÁG nevében,



Pär Martinsson

A műszaki dokumentációk felelőse



Sommario

Introduzione.....	167	Ricerca guasti.....	175
Sicurezza.....	168	Trasporto e rimessaggio.....	176
Montaggio.....	171	Dati tecnici.....	178
Utilizzo.....	171	Dichiarazione di conformità CE.....	179
Manutenzione.....	173		

Introduzione

Descrizione del prodotto

Il prodotto è un soffiatore a zaino con motore a combustione.

Procediamo costantemente allo sviluppo dei nostri prodotti e ci riserviamo quindi il diritto di apportare, senza alcun preavviso, modifiche riguardanti fra l'altro la forma e l'aspetto esteriore.

Panoramica del prodotto

(Fig. 1)

1. Leva del comando acceleratore
2. Telaio
3. Cinghiaggio
4. Coperchio motore
5. Coperchio della ventola
6. Retina della presa dell'aria
7. Filtro dell'aria
8. Impugnatura della fune di avviamento
9. Serbatoio del carburante
10. Cinghia in vita
11. Candela
12. Sistema di smorzamento delle vibrazioni
13. Comando della valvola dell'aria
14. Impugnatura di comando
15. Interruttore di arresto con comando dell'acceleratore
16. Grilletto acceleratore
17. Curva del tubo
18. Fascetta
19. Tubo flessibile
20. Tubo di manovra
21. Fascetta ferma cavo
22. Tubo intermedio
23. Ugello soffiatore
24. Manuale operatore
25. Chiave universale
26. Primer del carburante
27. Ugello ad alta velocità
28. Vite di regolazione del minimo
29. Ventola
30. Pedana

Uso previsto

Utilizzare il prodotto per soffiare foglie e altro materiale indesiderato da aree come prati, vialetti e strade asfaltate.

Simboli riportati sul prodotto

- (Fig. 2) **AVVERTENZA!** questo prodotto può essere pericoloso e causare lesioni gravi o mortali all'operatore o a terzi. Prestare attenzione e utilizzare il prodotto correttamente.
- (Fig. 3) Prima dell'uso, leggere attentamente il manuale operatore e accertarsi di aver compreso le istruzioni.
- (Fig. 4) Utilizzare cuffie protettive e protezione per gli occhi omologate. Se l'ambiente contiene polvere, utilizzare una maschera di ventilazione.
- (Fig. 5) Utilizzare guanti protettivi omologati durante il funzionamento e la manutenzione. Utilizzare stivali o scarpe protettive con soles antiscivolo. Utilizzare indumenti in tessuto resistente e lunghi fino ai piedi.
- (Fig. 6) Raccogliere i capelli lunghi al di sopra delle proprie spalle.
- (Fig. 7) Non indossare gioielli o indumenti larghi durante il funzionamento.
- (Fig. 8) Miscela di benzina e olio per motori a due tempi.
- (Fig. 9) Primer del carburante.

- (Fig. 10) Tenere il corpo lontano dalle superfici calde.
- (Fig. 11) Non avvicinarsi alla girante mentre è in funzione.
- (Fig. 12) Aria, posizione aperta.
- (Fig. 13) Aria, posizione chiusa.
- (Fig. 14) Vite di regolazione del minimo.
- (Fig. 15) Il presente prodotto è conforme alle direttive CEE vigenti.
- (Fig. 16) Il presente prodotto è conforme alle direttive del Regno Unito vigenti.
- (Fig. 17) Emissioni di rumore nell'ambiente in conformità alla Direttiva Europea 2000/14/CE e alla norma del Nuovo Galles del Sud in materia di protezione dell'ambiente "Protection of the Environment Operations (Noise Control) Regulation 2017". I dati sulle emissioni di rumore sono riportati sull'etichetta della macchina e nel capitolo Dati tecnici,

Fare attenzione agli oggetti volanti. Gli oggetti proiettati possono causare lesioni gravi. Usare sempre abbigliamento protettivo personale.

(Fig. 18)

(Fig. 19)

aaaassxxxx

Mantenere una distanza di sicurezza di almeno 15 m da persone o animali.

La targhetta dati di funzionamento o la stampa al laser mostrano il numero di serie. **yyyy** è l'anno di produzione e **ww** è la settimana di produzione.

Nota: I restanti simboli/decalcomanie sul prodotto riguardano particolari requisiti necessari per ottenere la certificazione in altre aree commerciali.

Responsabilità del prodotto

Come indicato nelle leggi vigenti in materia di responsabilità obbligatoria sul prodotto, non siamo responsabili per eventuali danni causati dal nostro prodotto se:

- Il prodotto viene riparato in modo errato.
- Il prodotto viene riparato con parti che non provengono o non sono omologate dal produttore.
- Il prodotto contiene un accessorio che non proviene o non è omologato dal produttore.
- Il prodotto non viene riparato presso un centro di assistenza autorizzato o presso un'autorità competente.

Sicurezza

Definizioni di sicurezza

Le definizioni riportate di seguito forniscono il livello di gravità per ciascuna delle parole di avvertenza.



AVVERTENZA: Lesioni alle persone.



ATTENZIONE: Danni al prodotto.

Nota: Queste informazioni rendono più semplice l'uso del prodotto.

Istruzioni di sicurezza generali



AVVERTENZA: leggere le seguenti avvertenze prima di utilizzare il prodotto.

- Non apportare modifiche al prodotto senza l'approvazione del produttore e utilizzare sempre accessori originali. Le modifiche e/o gli accessori non approvati possono causare lesioni gravi o la morte dell'operatore o di terzi.
- Non utilizzare un prodotto danneggiato. Eseguire i controlli di sicurezza e gli interventi di manutenzione indicati nel manuale dell'operatore. Tutti gli altri interventi di manutenzione devono essere affidati a personale di assistenza autorizzato.
- Tutti gli interventi di assistenza e riparazione devono essere eseguiti da personale di assistenza autorizzato. Se una parte del prodotto è difettosa, rivolgersi al rivenditore autorizzato all'assistenza.

Sicurezza delle vibrazioni

Questo prodotto può essere utilizzato solo occasionalmente. L'utilizzo continuo o regolare del prodotto può causare la "sindrome del dito bianco" o problemi medici equivalenti causati dalle vibrazioni. In caso di utilizzo continuo o regolare del prodotto, esaminare la condizione delle mani e delle dita. Se le mani o le dita appaiono bianche, doloranti, formicolanti o intorpidite, interrompere il lavoro e rivolgersi immediatamente a un medico.

Istruzioni di sicurezza per l'utilizzo



AVVERTENZA: leggere le seguenti avvertenze prima di utilizzare il prodotto.

- questo prodotto può essere pericoloso e causare lesioni gravi o mortali all'operatore o a terzi. Prestare attenzione e utilizzare il prodotto correttamente.
- Eseguire un controllo del prodotto prima dell'utilizzo. Fare riferimento a *Manutenzione alla pagina 173*.
- Non utilizzare il prodotto quando si è stanchi, malati o sotto gli effetti di alcool o farmaci in grado di alterare la vista, la capacità di valutazione o la coordinazione.
- Montare tutti i coperchi e le protezioni prima dell'uso. Per evitare scosse elettriche, assicurarsi che il cappuccio della candela e il cavo di accensione non siano danneggiati.
- Non toccare mai la candela o il cavo di accensione quando il motore è in moto.
- Mantenere una distanza di sicurezza di almeno 15 m da persone o animali. Se persone, bambini o animali si trovano a una distanza inferiore a 15 m, arrestare il prodotto. Indirizzare il prodotto lontano da persone, animali, finestre aperte e altri oggetti.
- Non lasciare che i bambini utilizzino il prodotto. Assicurarsi che tutti gli operatori leggano e comprendano il contenuto del presente manuale dell'operatore.
- Tenere le mani o altri oggetti lontani dall'alloggiamento del soffiatore durante il funzionamento. Le parti rotanti possono provocare gravi lesioni.
- Non utilizzare il prodotto se la retina della presa dell'aria non è installata. Assicurarsi sempre che la retina della presa dell'aria sia installata e non sia danneggiata prima dell'uso.
- In caso di emergenza, rilasciare la cinghia in vita e la cintura toracica del cinghiaggio e lasciare cadere il prodotto.
- Rispettare le normative e le direttive nazionali.
- Tenere il corpo lontano dalle superfici calde.
- Vibrazioni eccessive possono causare danni alla circolazione o al sistema nervoso. Rivolgersi al medico in caso di sintomi, ad esempio intorpidimento, perdita di sensibilità, formicolio, pizzicore, dolore, perdita di forza o alterazioni del colore della pelle di dita, mani o polsi.
- Fare attenzione agli oggetti volanti. Gli oggetti proiettati possono causare lesioni gravi.
- Non utilizzare il prodotto in condizioni atmosferiche avverse, ad esempio in caso di nebbia, pioggia, vento forte e gelo. Lavorare in condizioni atmosferiche avverse può causare stanchezza e condizioni pericolose.
- Assicurarsi di potersi muovere e mantenere una posizione stabile. Verificare l'eventuale presenza di ostacoli, ad esempio rocce, nell'area di lavoro. Prestare attenzione se si utilizza il prodotto su pendenze.
- Non poggiare il prodotto a terra con il motore acceso.
- Non utilizzare il prodotto da posizioni elevate, ad esempio su una scala.
- Assicurarsi di essere a una distanza tale da poter essere sempre ascoltati in caso di incidente.
- Assicurarsi che l'uscita dei fumi di scarico non sia ostruita. Per evitare di danneggiare il prodotto, mantenere gli ostacoli a una distanza minima di 50 cm dall'uscita dei fumi di scarico.
- Non avviare il prodotto in ambienti chiusi, in punti dove la circolazione dell'aria è insufficiente o vicino a materiale infiammabile. I gas di scarico del motore contengono monossido di carbonio, che può provocare intossicazione. I gas di scarico sono molto caldi e possono contenere scintille in grado di provocare incendi.

Dispositivi di protezione individuale



AVVERTENZA: Leggere le seguenti avvertenze prima di utilizzare il prodotto.

- Usare sempre abbigliamento protettivo personale omologato quando si utilizza il prodotto. I dispositivi di protezione individuale non sono in grado di prevenire completamente le lesioni, ma possono ridurne la gravità. Rivolgersi al rivenditore per maggiori informazioni.
- Usare cuffie protettive omologate. Una lunga esposizione al rumore può comportare lesioni permanenti all'udito.
- Utilizzare protezioni per gli occhi omologate. Con l'uso della visiera è necessario anche l'uso di occhiali protettivi omologati. Con il termine occhiali protettivi omologati si intendono occhiali che siano conformi alle norme ANSI Z87.1 per gli USA o EN 166 per i paesi EU.
- Utilizzare guanti protettivi durante il funzionamento e la manutenzione.
- Utilizzare stivali o scarpe protettive con soles antiscivolo.
- Utilizzare indumenti in tessuto resistente e lunghi fino ai piedi. Non utilizzare gioielli o scarpe aperte. Per ridurre il rischio di lesioni, l'abbigliamento deve

essere aderente ma non deve limitare i movimenti. Posizionare i capelli sopra le spalle per evitare che entrino a contatto con parti rotanti o si incastrino sui rami.

- Utilizzare mascherine quando esiste il rischio di inalare la polvere.
- Tenere a portata di mano la cassetta di primo soccorso.

Dispositivi di sicurezza sul prodotto



AVVERTENZA: Leggere le seguenti avvertenze prima di utilizzare il prodotto.

- Non utilizzare un prodotto con dispositivi di sicurezza difettosi.
- Effettuare regolarmente un controllo dei dispositivi di sicurezza. Fare riferimento a *Manutenzione alla pagina 173*.
- Se i dispositivi di sicurezza sono difettosi, rivolgersi al rivenditore Husqvarna.

Controllo della marmitta



AVVERTENZA: Non utilizzare un prodotto con marmitta difettosa.



AVVERTENZA: La marmitta si scalda notevolmente durante e dopo l'utilizzo, anche quando il motore è al regime minimo. Usare guanti protettivi per evitare ustioni.



AVVERTENZA: L'interno della marmitta contiene sostanze chimiche che potrebbero essere cancerogene. Non toccare la marmitta se è danneggiata.

- Ispezionare periodicamente la marmitta. La marmitta assicura il minimo livello acustico e allontana i fumi di scarico dall'operatore. Fare riferimento a *Ispezione e pulizia del sistema di raffreddamento alla pagina 175*.

Controllo del sistema di smorzamento delle vibrazioni

1. Accertarsi che non vi siano crepe o deformazioni sulle unità di smorzamento delle vibrazioni.
2. Controllare che le unità di smorzamento delle vibrazioni siano correttamente fissate al gruppo motore e all'impugnatura.

Per le informazioni su dove si trova il sistema di smorzamento delle vibrazioni sul prodotto, fare riferimento a *Panoramica del prodotto alla pagina 167*.

Controllo dell'interruttore di avviamento/arresto

1. L'interruttore di avviamento/arresto serve ad arrestare il motore.
2. Assicurarsi che il motore si arresti completamente.

Per individuare l'interruttore di avviamento/arresto del prodotto, fare riferimento a *Panoramica del prodotto alla pagina 167*.

Sicurezza del cinghiaggio

Utilizzare sempre il cinghiaggio durante l'utilizzo del prodotto. Se non si utilizza il cinghiaggio, non è possibile utilizzare il prodotto in modo sicuro. Ciò può causare lesioni personali a voi o ad altre persone. Accertarsi che la cinghia in vita e quella per il torace siano allacciate e regolate correttamente. Una cinghia aperta rischia di finire nella ventola del prodotto.

(Fig. 20)

Sicurezza nell'uso del carburante



AVVERTENZA: leggere le seguenti avvertenze prima di utilizzare il prodotto.

- Non miscelare o aggiungere il carburante in un ambiente chiuso o in prossimità di una fonte di calore.
- Non avviare il prodotto se è presente olio o carburante sul prodotto stesso o sul proprio corpo.
- Non avviare il prodotto se il motore presenta una perdita di carburante. Esaminare regolarmente il motore per verificare la presenza di eventuali perdite di carburante.
- Prestare sempre attenzione al carburante. Il carburante è infiammabile e i gas di scarico, essendo esplosivi, possono causare lesioni anche mortali.
- Non respirare i fumi del carburante perché possono causare lesioni. Accertarsi che ci sia un flusso d'aria sufficiente.
- Non fumare in prossimità del carburante o del motore.
- Non posizionare il prodotto o una tanica di carburante vicino a fiamme libere, scintille o fiamme pilota.
- Utilizzare sempre contenitori approvati per la conservazione e il trasporto del carburante.

Istruzioni di sicurezza per la manutenzione



AVVERTENZA: Leggere le seguenti avvertenze prima di utilizzare il prodotto.

- Arrestare il motore, rimuovere la candela e lasciare raffreddare il motore prima di eseguire interventi di manutenzione e montaggio.
- Una retina parascintille bloccata provoca il surriscaldamento e danni al motore.
- Se la retina si ostruisce spesso, le prestazioni del convertitore catalitico potrebbero essere calate. Per un'ispezione della marmitta, contattare l'assistenza.

Montaggio

Introduzione



AVVERTENZA: Leggere e comprendere il capitolo sulla sicurezza prima di montare il prodotto.

Assemblaggio del tubo del soffiatore e dell'impugnatura di comando sul prodotto

Nota: Lubrificare i tubi e il tubo flessibile per facilitarne il montaggio.

1. Fissare il tubo flessibile (A) alla curva del tubo e il tubo di manovra (B) con le fascette (C) e (D). (Fig. 21)

2. Fissare il supporto (E) dell'impugnatura al tubo di manovra. Allineare il supporto dell'impugnatura con la chiave del tubo di manovra. (Fig. 22)
3. Regolare la posizione dell'impugnatura di comando in una posizione di lavoro sicura e corretta. Serrare la manopola.
4. Collegare il cavo al tubo flessibile con la fascetta fermacavo. (Fig. 23)
5. Collegare il tubo intermedio al tubo di manovra. (Fig. 24)
6. Collegare l'ugello del soffiatore al tubo intermedio.

Nota: L'ugello del soffiatore può essere montato solo sul tubo intermedio.

7. Per una maggiore velocità dell'aria, collegare l'ugello ad alta velocità all'ugello del soffiatore.

Utilizzo

Introduzione



AVVERTENZA: Leggere e comprendere il capitolo sulla sicurezza prima di utilizzare la macchina.

Carburante

Questo prodotto è dotato di un motore a due tempi.



ATTENZIONE: Un carburante di tipo errato può causare danni al motore. Utilizzare una miscela di benzina e olio per motori a due tempi.

Carburante premiscelato

- Utilizzare carburante alchilato premiscelato Husqvarna per garantire le migliori prestazioni e prolungare la durata del motore. Questo carburante contiene sostanze chimiche meno pericolose rispetto al normale carburante, che riduce le emissioni di scarico pericolose. Con questo carburante, che mantiene i componenti del motore più puliti, la quantità di residui dopo la combustione è inferiore.

Per miscelare il carburante

Benzina

- Utilizzare benzina senza piombo di buona qualità con massimo il 10% di etanolo.



ATTENZIONE: Non utilizzare benzina con un numero di ottani inferiore a 90 RON/87 AKI. Un numero inferiore di ottani può causare il battito in testa del motore, che provoca danni al motore.

Olio per motori a due tempi

- Per risultati e prestazioni ottimali, utilizzare l'olio per motori a due tempi Husqvarna.
- Se l'olio per motori a due tempi Husqvarna non è disponibile, utilizzare un olio per motori a due tempi raffreddati ad aria di buona qualità. Rivolgetevi al vostro rivenditore addetto all'assistenza per selezionare il tipo di olio.



ATTENZIONE: Non usare mai olio per motori fuoribordo a due tempi raffreddati ad acqua. Non utilizzare olio per motori a quattro tempi.

Per miscelare benzina e olio per motori a due tempi

Benzina, litri	Olio a due tempi, litri
	2% (50:1)
5	0,10
10	0,20
15	0,30
20	0,40



ATTENZIONE: Piccoli errori possono influenzare drasticamente il rapporto della miscela quando si miscelano piccole quantità di carburante. Misurare con precisione la quantità d'olio e accertarsi di ottenere la giusta miscela.

(Fig. 25)

1. Riempire metà della quantità di benzina in un contenitore pulito per carburante.
2. Aggiungere la quantità totale di olio.
3. Mescolare la miscela.
4. Aggiungere la quantità residua di benzina nel contenitore.
5. Mescolare agitando con cura la miscela di carburante.



ATTENZIONE: Non mescolare il carburante più di 1 volta al mese.

Rifornimento di carburante



AVVERTENZA: Attenersi alla procedura indicata di seguito per la propria sicurezza.

1. Arrestare il motore e farlo raffreddare.
2. Pulire l'area intorno al tappo del serbatoio del carburante. (Fig. 26)
3. Agitare il contenitore e assicurarsi che il carburante sia ben mescolato.
4. Rimuovere lentamente il tappo del serbatoio del carburante per rilasciare la pressione.
5. Riempire il serbatoio del carburante.



ATTENZIONE: Assicurarsi che nel serbatoio non vi sia una quantità eccessiva di carburante. Il carburante si espande quando si scalda.

6. Stringere con cura il tappo del serbatoio del carburante.
7. Pulire eventuale carburante fuoriuscito sul prodotto e intorno ad esso.
8. Spostare il prodotto ad almeno 3 m/10 ft dal luogo e dalla fonte di rifornimento prima di avviare il motore.

Nota: Per individuare il serbatoio del carburante sul prodotto, fare riferimento a *Panoramica del prodotto alla pagina 167*.

Avviamento del motore a freddo



AVVERTENZA: L'aria viene rilasciata non appena viene avviato il motore, anche al minimo. Non lasciare che nessuno si avvicini al soffiatore o al tubo del soffiatore.

1. Se il motore è freddo portare il comando della valvola dell'aria (A) nella posizione di starter chiusa. Fare riferimento a *Simboli riportati sul prodotto alla pagina 167*. (Fig. 27)
2. Premere almeno 10 volte il primer (B) fino a quando non comincia a riempirsi di carburante. Non è necessario riempire il primer del carburante completamente.
3. Portare il comando dell'acceleratore nella posizione di minimo veloce. Allineare i contrassegni di guida sulla leva di comando dell'acceleratore e sull'impugnatura di comando. (Fig. 28)
4. Poggiare il prodotto su un terreno piano.
5. Tenere il prodotto con la mano sinistra e poggiare il piede sulla pedana. (Fig. 29)
6. Tirare l'impugnatura di avviamento lentamente con la mano destra, finché non si avverte una certa resistenza.

Nota: Non tirare fino in fondo l'impugnatura della fune di avviamento e non lasciarla.

7. Tirare rapidamente l'impugnatura di avviamento con la mano destra fino a quando il motore non si avvia o tenta di avviarsi, per un massimo di 6 volte. Se il motore si avvia, spostare gradualmente la leva di comando dell'aria in posizione aperta e passare al punto 11. Se il motore non si avvia, passare al punto 9.
8. Quando il motore tenta di avviarsi, spostare gradualmente la leva di comando dell'aria in posizione aperta.
9. Tirare rapidamente l'impugnatura di avviamento con la mano destra fino a quando il motore non si avvia, per un massimo di 6 volte.



Nota: Se il motore non si avvia, ripetere le istruzioni per l'avviamento riportate al punto 1.

10. Far girare il motore per 30 secondi.
11. Portare il comando dell'acceleratore al regime minimo. (Fig. 30)
12. Premere il grilletto acceleratore per regolare la velocità del soffiatore. Fare riferimento a *Utilizzo del grilletto acceleratore alla pagina 173*.

Avviamento di un motore caldo

- Se la temperatura ambiente è inferiore a 32 °C / 90 °F, utilizzare la procedura di avviamento indicata in *Avviamento del motore a freddo alla pagina 172* senza portare il comando dell'aria nella posizione di starter chiusa.
- Se la temperatura ambiente è superiore a 32 °C / 90 °F, utilizzare la procedura di avviamento indicata in *Avviamento del motore a freddo alla pagina 172*.

Utilizzo del grilletto acceleratore

- Per aumentare la velocità del soffiatore durante il funzionamento, premere il grilletto acceleratore fino a ottenere la velocità corretta. (Fig. 31)
- Per ridurre la velocità del soffiatore durante il funzionamento, rilasciare il grilletto acceleratore fino a ottenere la velocità corretta.

Per avviare il motore quando il carburante è troppo caldo

Se il prodotto non si avvia, il carburante potrebbe essere troppo caldo.

Nota: Utilizzare sempre carburante nuovo e ridurre il tempo di funzionamento in presenza di clima caldo.

1. Collocare il prodotto in un luogo fresco al riparo dalla luce solare diretta.
2. Lasciar raffreddare il prodotto per almeno 20 minuti.
3. Premere più volte il bulbo del primer per 10-15 secondi.
4. Adottare la procedura di avviamento del motore a freddo. Vedere *Avviamento del motore a freddo alla pagina 172*.

Utilizzo del prodotto

- Utilizzare il prodotto nelle normali ore di lavoro. Rispettare le norme locali.

- Diminuire l'attrezzatura e selezionare la velocità corretta per l'attività. Utilizzare la posizione minima dell'acceleratore per evitare l'eccessiva formazione di rumori e polvere.
- Mantenere l'ugello del soffiatore vicino al suolo.

Nota: Husqvarna consiglia di allungare completamente l'ugello del soffiatore.

- Prendere nota della direzione del vento e azionare il prodotto nella direzione del vento.
- Utilizzare gli attrezzi da giardino adatti per rimuovere il materiale dal suolo.
- In aree polverose, utilizzare lo spray per bagnare l'area. In questo modo si riduce il tempo di utilizzo.
- Dopo l'uso, conservare il prodotto in posizione verticale.

Arresto del prodotto



ATTENZIONE: Non arrestare il prodotto se è in funzione alla massima velocità.

1. Premere l'interruttore di arresto. (Fig. 32)

Nota: Quando il prodotto si arresta, è possibile avvertire un battito. Questo è un fenomeno tipico e non indica un prodotto difettoso.

Regolazione del cinghiaggio

1. Indossare il cinghiaggio del prodotto.
2. Posizionare la cinghia in vita e collegare la fibbia. (Fig. 33)
3. Stringere la cinghia in vita. (Fig. 34)
4. Collegare la fibbia della cinghia per il torace. (Fig. 35)
5. Regolare la posizione della cinghia per il torace. (Fig. 36)
6. Serrare le cinghie per il torace. (Fig. 37)
7. Stringere le cinghie a tracolla fino a quando il cinghiaggio non aderisce al corpo. (Fig. 38)
8. Serrare le cinghie di sollevamento del carico. (Fig. 39)

Manutenzione

Introduzione

prima di eseguire la manutenzione del prodotto.



AVVERTENZA: Leggere attentamente il capitolo sulla sicurezza

Programma di manutenzione

Manutenzione	Giornaliera	Una volta a settimana	Una volta al mese
Pulire le superfici esterne.	X		
Assicurarsi che l'impugnatura di comando funzioni correttamente.	X		
Assicurarsi che l'interruttore di avviamento/arresto funzioni correttamente. Fare riferimento a <i>Controllo dell'interruttore di avviamento/arresto alla pagina 170.</i>	X		
Esaminare il motore, il serbatoio del carburante e le tubazioni del carburante per accertare eventuali perdite. Esaminare il filtro del carburante per verificare l'eventuale contaminazione. Se necessario, sostituire il filtro del carburante.	X		
Pulire il filtro dell'aria. Se necessario, sostituire il filtro dell'aria.	X		
Serrare dadi e viti.	X		
Esaminare la presa d'aria e accertarsi che non sia danneggiata.	X		
Esaminare il motorino di avviamento e la corda di avviamento per rilevare eventuali danni.		X	
Controllare se le unità antivibranti presentano danni, incrinature o deformazioni. Assicurarsi che le unità antivibranti siano correttamente installate.		X	
Esaminare la candela. Fare riferimento a <i>Controllo della candela alla pagina 174.</i>		X	
Pulire il sistema di raffreddamento.		X	
Pulire la superficie esterna del carburatore e la zona circostante.		X	
Pulire il serbatoio carburante.			X
Esaminare tutti i cavi e i raccordi.			X
Esaminare e pulire la retina parascintille sulla marmitta (per i prodotti senza convertitore catalitico).		X	
Esaminare e pulire la retina parascintille sulla marmitta (per i prodotti con convertitore catalitico).			X
Esaminare la candela. Sostituirli se necessario.			X

Regolazione del regime minimo

1. Verificare che il filtro dell'aria sia pulito e che il relativo coperchio sia installato.
2. Regolare il regime minimo con la vite corrispondente. Per identificare la posizione della vite di regolazione del minimo sul prodotto, fare riferimento a *Panoramica del prodotto alla pagina 167.*

Controllo della candela

tecnicisti alla pagina 178. Una candela errata può danneggiare il prodotto.

1. Arrestare il motore e far raffreddare il prodotto.
2. Pulire la candela se sporca.
3. Assicurarsi che la distanza tra gli elettrodi sia corretta. Fare riferimento a *Dati tecnici alla pagina 178.* (Fig. 40)
4. Sostituire la candela almeno una volta al mese o più frequentemente, se necessario.



ATTENZIONE: Utilizzare la candela raccomandata. Fare riferimento a *Dati*

Manutenzione della marmitta



ATTENZIONE: Se la retina si ostruisce spesso, le prestazioni del convertitore catalitico potrebbero essere calate. Per un'ispezione della marmitta, rivolgersi al rivenditore con servizio di assistenza. Una retina parascintille ostruita provoca il surriscaldamento con conseguenti danni a cilindro e pistone.



ATTENZIONE: Se la retina parascintille è danneggiata, è necessario sostituirla. Non utilizzare mai un prodotto con la retina parascintille mancante o danneggiata.

- Pulire la retina parascintille sulla marmitta. Utilizzare una spazzola metallica. (Fig. 41)
- Affidare a un rivenditore con servizio di assistenza la sostituzione o la manutenzione della marmitta e della retina parascintille dopo 50 ore di funzionamento.

Ispezione e pulizia del sistema di raffreddamento

Il sistema di raffreddamento comprende le alette sul cilindro e la retina della presa dell'aria.

1. Spegnerne il motore.
2. Accertarsi che il sistema di raffreddamento non sia sporco o ostruito. Se necessario, pulire la retina della presa dell'aria e le alette di raffreddamento.



ATTENZIONE: Se il sistema di raffreddamento è sporco o ostruito, può

surriscaldare il motore, con conseguenti danni al prodotto. Una retina della presa dell'aria ostruita riduce la forza di soffiaggio.

3. Esaminare il sistema di raffreddamento per verificare la presenza di eventuali danni. Assicurarsi che i componenti siano fissati correttamente al prodotto.

Pulizia del filtro dell'aria



ATTENZIONE: Non utilizzare il prodotto senza il filtro dell'aria collegato o con un filtro dell'aria danneggiato. La polvere presente nell'aria può danneggiare il motore.

1. Portare il comando della valvola dell'aria nella posizione di chiusura.
2. Rimuovere il coperchio del filtro dell'aria (A).
3. Rimuovere il pre-filtro (B) dal coperchio del filtro dell'aria. (Fig. 42)
4. Rimuovere il filtro dell'aria (C) dal relativo telaio.
5. Pulire il pre-filtro e il filtro dell'aria con acqua calda e sapone.

Nota: Un filtro dell'aria utilizzato per un lungo periodo non può essere pulito completamente. Sostituire regolarmente il filtro dell'aria e sostituire sempre un filtro aria difettoso.

6. Pulire la superficie interna del coperchio del filtro dell'aria (A) con una spazzola.
7. Collocare il filtro dell'aria nel relativo telaio.
8. Fissare il pre-filtro al coperchio del filtro dell'aria.
9. Fissare il coperchio del filtro dell'aria al prodotto.

Ricerca guasti

Non è possibile avviare il motore.		
Controlla	Possibile causa	Soluzione
Ganci del motorino di avviamento.	Ganci di avviamento bloccati o usurati.	Regolare o sostituire i ganci di avviamento.
		Pulire la zona intorno ai ganci di avviamento.
		Rivolgersi a un centro assistenza autorizzato.
Serbatoio carburante.	Tipo di carburante non adatto.	Svuotare il serbatoio del carburante e usare il carburante corretto.

Non è possibile avviare il motore.		
Controllo	Possibile causa	Soluzione
Carburatore.	Regolazione del regime minimo.	Registrare il minimo con la vite di regolazione del regime minimo.
Accensione (nessuna scintilla).	Candela sporca o bagnata.	Accertarsi che la candela sia asciutta e pulita.
	La distanza tra gli elettrodi sulla candela non è corretta.	Pulire la candela. Assicurarsi che la distanza tra gli elettrodi sia corretta.
		Fare riferimento ai dati tecnici per informazioni sulla corretta distanza tra gli elettrodi.
Candela.	Candela allentata.	Serrare la candela.
	Sugli elettrodi delle candele è presente materiale indesiderato.	Accertarsi che la miscela sia corretta.
		Accertarsi che il filtro dell'aria sia pulito.

Il motore si avvia ma si arresta nuovamente		
Controllo	Possibile causa	Soluzione
Serbatoio carburante.	Tipo di carburante non adatto.	Svuotare il serbatoio del carburante e usare il carburante corretto.
Carburatore.	Il motore non funziona correttamente al regime minimo.	Contattare il centro di assistenza.
Filtro dell'aria.	Filtro dell'aria intasato.	Pulire il filtro dell'aria.

Trasporto e rimessaggio

Trasporto e rimessaggio



AVVERTENZA: Per evitare il rischio di incendio, assicurarsi che non vi siano perdite o fumi durante il trasporto o lo stoccaggio. Assicurarsi che non vi sia alcun rischio di scintille o incendio.

- Svuotare il serbatoio del carburante prima del trasporto o di lunghi periodi di stoccaggio. Premere il bulbo del primer per assicurarsi che tutto il

carburante venga rimosso. Smaltire il carburante presso un apposito centro di smaltimento.

- Accertarsi che il prodotto sia pulito e che un intervento di assistenza completo venga eseguito prima dello stoccaggio a lungo termine.
- Rimuovere la candela e versare nel cilindro circa 15 ml di olio per motore a 2 tempi. Ruotare il prodotto 3 volte e installare nuovamente la candela.
- Bloccare il prodotto in modo sicuro sul veicolo durante il trasporto.

- Mantenere il prodotto in un luogo asciutto e pulito provvisto di una buona circolazione dell'aria. Tenere il prodotto fuori dalla portata dei bambini.

Dati tecnici

Dati tecnici

	Husqvarna 345BT (BP152HV)
Motore	
Cilindrata, cm ³	51,7
Regime minimo, giri/min	2800
Convertitore catalitico	Sì
Impianto di accensione	
Candela	NGK BPMR7A/Champion RCJ6Y
Distanza tra gli elettrodi, mm	0,6-0,7
Coppia della candela, Nm	25-30
Carburante e sistema di lubrificazione	
Capacità del serbatoio del carburante, l/cm ³	1,0/1000
Peso	
Peso, escluso carburante, kg	10,0
Emissioni di rumore ⁴⁰	
Livello acustico, misurato dB (A)	110
Livello acustico, garantito L _{WA} dB(A)	113
Livelli di rumorosità ⁴¹	
Livello di pressione acustica equivalente, all'udito dell'utente, misurato secondo EN15503 dB(A)	
Con ugello del soffiatore (originale) in dotazione	101
Livelli di vibrazioni ⁴²	
Livelli di vibrazione equivalenti (a _{hv,eq}) sulle impugnature, misurati in base alle norme EN 15503, m/s ²	6,1
Prestazioni della ventola	
Velocità massima dell'aria con l'ugello ad alta velocità, m/s	98,3
Flusso dell'aria senza ugello ad alta velocità, m ³ /min	13,9

⁴⁰ Emissioni di rumore nell'ambiente misurate come potenza sonora (L_{WA}) in base alla direttiva CE 2000/14/CE. Il livello di potenza acustica riportato per il macchinario è stato misurato con il gruppo di taglio originale che emette il livello massimo. La differenza tra potenza acustica misurata e garantita è che la potenza acustica garantita comprende anche la dispersione nel risultato di misurazione e le variazioni tra le diverse macchine dello stesso modello come da Direttiva 2000/14/CE.

⁴¹ I dati riportati per il livello di pressione acustica hanno una dispersione statistica tipica (deviazione standard) di 3,0 dB(A).

⁴² I dati riportati per il livello di vibrazioni presentano una dispersione statistica tipica (deviazione standard) di 1,5 m/s².

Dichiarazione di conformità CE

Dichiarazione di conformità CE

Husqvarna AB, SE 561 82 Huskvarna, SVEZIA, dichiara sotto la propria esclusiva responsabilità che il prodotto indicato:

Descrizione	Soffiatore a benzina/soffiatore a vuoto
Marchio	Husqvarna
Piattaforma / Tipo / Modello	Piattaforma BP152HV, rappresentante il modello 345BT.
Lotto	Numero di serie a partire dal 2022.

È pienamente conforme alle seguenti norme e direttive UE:

Direttiva/norma	Descrizione
2006/42/CE	"relativa alle macchine"
2014/30/UE	"sulla compatibilità elettromagnetica"
2000/14/CE	"sul rumore esterno"
2011/65/UE	"restrizione dell'uso di determinate sostanze pericolose"

Le norme armonizzate e/o le specifiche tecniche applicate sono le seguenti: EN ISO 12100:2010, EN 15503:2009+A2, CISPR 12:2007, EN ISO 14982:2009, EN IEC 63000:2018, EN IEC 63000:2018

In conformità alla direttiva 2000/14/CE, Allegato V, i valori per i livelli sonori dichiarati sono riportati nella sezione Dati tecnici del presente manuale.

TÜV Rheinland ha eseguito l'omologazione volontaria per conto di Husqvarna AB, emettendo il Certificato di conformità AM 50391742 relativo alla direttiva del

Consiglio della Comunità Europea 2006/42/CE sulle macchine.

Il certificato si applica a tutti i siti produttivi e paesi d'origine, così come riportati sul prodotto.

Il soffiatore a benzina/soffiatore a vuoto è conforme al campione sottoposto a omologazione.

Per conto di Husqvarna AB, SE-561 82 Huskvarna, SVEZIA,



Pär Martinsson

Responsabile della documentazione tecnica



TURINYS

Įvadas.....	180	Gedimai ir jų šalinimas.....	188
Sauga.....	181	Gabenimas ir laikymas.....	189
Surinkimas.....	183	Techniniai duomenys.....	190
Naudojimas.....	184	EB atitikties deklaracija.....	191
Techninė priežiūra.....	186		

Įvadas

Gaminio aprašas

Gaminys yra ant nugaros nešiojamas pūstuvus su degalų varikliu.

Mes nuolat siekiame tobulinti savo gaminius, pasilikdami sau teisę keisti jų formą ir išvaizdą be išankstinio pranešimo.

Gaminio apžvalga

(Pav. 1)

1. Akceleratoriaus valdymo svirtis
2. Rėmas
3. Diržai
4. Variklio gaubtas
5. Ventilatoriaus gaubtas
6. Oro įsiurbimo grotelės
7. Oro filtras
8. Starterio virvės rankena
9. Degalų bakelis
10. Juosmens diržas
11. Degimo žvakė
12. Vibracijos slopinimo sistema
13. Oro sklendės rankenėlė
14. Valdymo rankenėlė
15. Stabdymo jungiklis su akceleratoriaus valdymo svirtimi
16. Akceleratoriaus gaidukas
17. Vamzdžio alkūnė
18. Gnybtas
19. Lanksčioji žarna
20. Valdymo vamzdis
21. Troso gnybtas
22. Tarpinis vamzdis
23. Pūstuvo antgalis
24. Naudojimo instrukcija
25. Kombinuotasis veržliaraktis
26. Oro šalinimo siurbliukas
27. Greitaeigis antgalis
28. Tuščiosios eigos reguliavimo varžtas
29. Ventiliatorius
30. Pėdos plokštelė

Naudojimas

Gaminį naudokite lapams ir kitoms nepageidaujamoms medžiagoms nuo tokių vietų kaip vejos, takai ir asfaltuoti keliai nupūsti.

Simboliai ant gaminio

- (Pav. 2) ĮSPĖJIMAS! Šis gaminys gali būti pavojingas ir rimtai sužeisti arba pražudyti naudotoją arba aplinkinius. Būkite atsargūs ir tinkamai naudokite gaminį.
- (Pav. 3) Prieš naudodami, atidžiai perskaitykite naudojimo instrukciją ir įsitikinkite, kad viską gerai supratote.
- (Pav. 4) Naudokite patvirtintas apsaugines ausines ir apsauginius akinius. Jei aplinkoje yra dulkių, naudokite kvėpavimo kaukę.
- (Pav. 5) Naudodami ir atlikdami techninę priežiūrą mūvėkite patvirtintas apsaugines pirštines. Apsiaukite apsauginiais auliniiais batais arba batais neslidžiais padais. Dėvėkite stipraus audinio ir ilgus drabužius.
- (Pav. 6) Ilgus plaukus pakelkite aukščiau pečių.
- (Pav. 7) Naudodami nedėvėkite papuošalų ir nevilėkite laisvų drabužių.
- (Pav. 8) Benzino ir dvitakčių variklių alyvos mišinys.
- (Pav. 9) Oro šalinimo siurbliukas.
- (Pav. 10) Saugokitės įkaitusių paviršių.
- (Pav. 11) Nebūkite arti sparnuotės, nes ji sukasi.

- (Pav. 12) Sklendė, atidaryta padėtis.
- (Pav. 13) Sklendė, uždaryta padėtis.
- (Pav. 14) Tuščiosios eigos reguliavimo varžtas.
- (Pav. 15) Šis gaminys atitinka taikomas ES direktyvas.
- (Pav. 16) Šis gaminys atitinka taikytinų JK reglamentų nuostatas.
- (Pav. 17) Triukšmo emisija į aplinką atitinka Europos direktyvą 2000/14/EB ir Naujojo Pietų Velso įstatymą „2017 m. aplinkos apsaugos (triukšmo kontrolės) reglamentas“. Triukšmo emisijos duomenys nurodyti įrenginio etiketėje ir skyriuje „Techniniai duomenys“.
- (Pav. 18) Saugokitės išsviedžiamų daiktų. Išsviedžiami daiktai gali sunkiai sužaloti. Naudokite asmenines apsaugines priemones.
- (Pav. 19) Išlaikykite saugų mažiausiai 15 m atstumą nuo žmonių arba gyvūnų.

yyyywwxxxxx

Lazeriu įspaustoje vardinėje parametru plokštelėje nurodytas serijos numeris. **yyyy** yra pagaminimo metai, o **ww** yra pagaminimo savaitė.

Pasižymėkite: Kiti ant gaminio pateikti simboliai (lipdukai) nurodo kitų komercinių teritorijų sertifikavimo reikalavimus.

Atsakomybė už gaminį

Kaip nurodyta atsakomybės už gaminį įstatymuose, mes nesame atsakingi už mūsų gaminio sukeltą žalą, jei:

- gaminys netinkamai suremontuotas;
- gaminys suremontuotas naudojant kito gamintojo arba gamintojo nepatvirtintas dalis;
- gaminys turi kito gamintojo arba gamintojo nepatvirtintą priedą;
- gaminys suremontuotas ne patvirtintame techninės priežiūros centre arba jį suremontavo ne patvirtintas atstovas.

Sauga

Saugos ženklų reikšmės

Toliau apibrėžiamas signalinių žodžių žymimas pavojus.



PERSPĖJIMAS: Gali susižeisti asmenys.



PASTABA: Galima sugadinti gaminį.

Pasižymėkite: Ši informacija padeda gaminį naudoti saugiau.

Bendrieji saugos nurodymai



PERSPĖJIMAS: Prieš imdamiesi naudoti gaminį perskaitykite toliau nurodytus įspėjamuosius nurodymus.

- Nekeiskite gaminio negavę gamintojo patvirtinimo ir visada naudokite originalius priedus. Dėl nepatvirtintų modifikacijų ir (arba) priedų operatorius arba kiti asmenys gali rimtai susižaloti arba žūti.

- Sugadinto gaminio nenaudokite. Atlikite šioje naudojimo instrukcijoje aprašytas saugos patikras ir techninės priežiūros procedūras. Visus kitus priežiūros darbus turi atlikti įgalioti techninės priežiūros darbuotojai.
- Visus priežiūros ir remonto darbus turi atlikti įgalioti techninės priežiūros darbuotojai. Jei gaminio dalis turi defektų, kreipkitės į techninio aptarnavimo atstovą.

Vibracijos sauga

Šis gaminys skirtas naudoti tik kartais. Nepertraukiamai arba reguliariai naudojantis gaminiumi, dėl vibracijos gali atsirasti baltų pirštų sindromas arba panašios medicininės problemos. Jei gaminį naudojate nepertraukiamai arba reguliariai, įvertinkite savo rankų ir pirštų būklę. Jei rankų ar pirštų spalva pakitusi, jaučiate skausmą, dilgčiojimą ar nutirpimą, nustokite dirbti ir nedelsdami kreipkitės į gydytoją.

Naudojimo saugos instrukcijos



PERSPĖJIMAS: Prieš naudodami gaminį, perskaitykite toliau esančius įspėjimus.

- Šis gaminys gali būti pavojingas ir rimtai sužeisti arba pražudyti naudotoją arba aplinkinius. Būkite atsargūs ir tinkamai naudokite gaminį.
- Prieš darbą atlikite produkto patikrą. Žr. *Techninė priežiūra psl. 186*.
- Nenaudokite gaminio, jeigu esate pavargę, sergate arba vartojote alkoholio ar kitų narkotinių medžiagų. Dėl to gali susilpnėti jūsų regėjimas, koordinacija arba sumažėti gebėjimas priimti sprendimus.
- Prieš naudodami sumontuokite visus gaubtus ir apsaugas. Norėdami išvengti elektros šoko, įsitikinkite, kad nepažeistas uždegimo žvakės dangtelis ir uždegimo kabelis.
- Nelieskite uždegimo žvakės ar uždegimo kabelio, kai variklis dirba.
- Išlaikykite saugų mažiausiai 15 m atstumą nuo žmonių arba gyvūnų. Jei žmonės, vaikai arba gyvūnai yra arčiau nei 15 m atstumu, sustabdykite gaminį. Nukreipkite gaminį nuo asmenų, gyvūnų, atvirų langų ir kitų objektų.
- Neleiskite vaikams valdyti gaminio. Užtikrinkite, kad visi operatoriai perskaitytų ir suprastų šios naudojimo instrukcijos turinį.
- Naudojimo metu rankas ir kitus objektus laikykite toliau nuo pūstuvo korpuso. Besisukančios dalys gali sunkiai sužaloti.
- Nenaudokite gaminio, jei nėra sumontuotos oro įsiurbimo grotelės. Prieš naudodami visada užtikrinkite, kad oro įsiurbimo grotelės sumontuotos ir nepažeistos.
- Įvykus incidentui, atlaisvinkite juosmens bei krūtinės diržus ir leiskite gaminiumi nukristi.
- Laikykitės nacionalinių reglamentų ir direktyvų.
- Saugokitės įkaitusių paviršių.
- Per didelę vibraciją gali pažeisti kraujotakos arba nervų sistema. Kreipkitės į gydytoją, jei jums pasireiškia tokie simptomai kaip tirpimas, jutimo praradimas, dilgčiojimas, dūrimo jausmas, skausmas, silpnumas arba pirštų, rankų ar riešo spalvos pasikeitimas.
- Saugokitės išsviedžiamų daiktų. Išsviedžiamais daiktais gali sunkiai sužaloti.
- Įrenginio nenaudokite blogu oru, pvz., esant tirštam rūkui, lietaui, smarkiame vėjui ar dideliam šalčiui. Darbas blogu oru gali varginti ir sudaryti pavojingas sąlygas.
- Įsitikinkite, kad galite judėti ir išlaikyti stabilią padėtį. Patikrinkite, ar darbo srityje nėra galimų kliūčių, pavyzdžiui, akmenų. Būkite atsargūs, kai gaminį naudojate stovėdami ant šlaito.
- Nepadėkite gaminio ant žemės, kai užvestas variklis.
- Nenaudokite gaminio būdami aukštai, pavyzdžiui, ant kopėčių.
- Užtikrinkite, kad būsite išgirsti įvykus incidentui.
- Įsitikinkite, kad išmetamųjų dujų anga neužblokuota. Kad gaminys nebūtų pažeistas, kliūtys turi būti mažiausiai 50 cm atstumu nuo išmetamųjų dujų angos.

- Neužveskite gaminio patalpoje, esant prastam oro srautui arba greta degių medžiagų. Išmetamosiose variklio dujose yra anglies monoksido, galinčio sukelti apsinuodijimą. Išmetamosios dujos yra karštos, jose gali būti kibirkščių, kurios gali sukelti gaisrą.

Asmeninės apsauginės priemonės



PERSPĖJIMAS: Prieš naudodami gaminį, perskaitykite toliau esančius įspėjimus.

- Naudodami gaminį visada dėvėkite patvirtintas asmenines apsaugines priemones. Asmeninės apsauginės priemonės negali visiškai apsaugoti nuo sužalojimo, tačiau jos gali sumažinti sužalojimo mastą. Dėl išsamesnės informacijos prašome kreiptis į savo prekybos atstovą.
- Naudokite patvirtintas apsaugines ausines. Ilgalaisk triukšmo poveikis gali visam laikui pakenkti klausai.
- Naudokite patvirtintas akių apsaugos priemones. Jei naudojamas apsauginis skydelis, turi būti nešiojami ir patvirtinti apsauginiai akiniai. Patvirtinti apsauginiai akiniai yra tie, kurie atitinka JAV ANSI Z87.1 standartą arba ES EN 166 standartą.
- Naudodami ir atlikdami techninę priežiūrą mėvėkite apsaugines pirštines.
- Apsiaukite apsauginiais auliniiais batais arba batais neslidžiais padais.
- Dėvėkite stipraus audinio ir ilgus drabužius. Nedėvėkite papuošalų arba nemėvėkite atvirų batų. Norint sumažinti susižalojimo pavojų, drabužiai turi būti prigludę, tačiau neribojantys jūsų judesių. Susiriškite plaukus, kad jie būtų aukščiau pečių ir nepatektų į besisukančias dalis arba neužsikabintų už šakų.
- Jei kyla dulkių pavojus, naudokite kvėpavimo apsaugą.
- Pasirūpinkite, kad netoliese būtų pirmosios pagalbos vaistinė.

Gaminio apsauginės priemonės



PERSPĖJIMAS: Prieš naudodami gaminį, perskaitykite toliau esančius įspėjimus.

- Nesinaudokite gaminiumi, jei jo apsauginės priemonės yra netvarkingos.
- Reguliariai tikrinkite apsaugines priemones. Žr. *Techninė priežiūra psl. 186*.
- Jei apsauginės priemonės yra pažeistos, pasitarkite su Husqvarna techninės priežiūros atstovu.

Duslintuvo patikra



PERSPĖJIMAS: Jeigu duslintuvą sugadintą, įrenginio nenaudokite.



PERSPĖJIMAS: Dirbant ir baigus darbą, taip pat įrenginiui veikiant tuščiajame eiga, duslintuvą labai įkaista. Kad nenusidegintumėte, būtinai mūvėkite apsaugines pirštines.



PERSPĖJIMAS: Duslintuvo viduje yra chemikalai, kurie gali turėti kancerogeninių medžiagų. Nelieskite duslintuvo, jei jis yra pažeistas.

- Reguliariai apžiūrėkite duslintuvą. Duslintuvą iki minimumo sumažina triukšmo lygį ir nukreipia nuo naudotojo variklio išmetamąsias dujas. Žr. *Aušinimo sistemos patikrinimas ir išvalymas psl. 187.*

Vibracijos slopinimo sistemos patikra

1. Įsitikinkite, kad vibracijų slopinimo įrenginiuose nėra įtrūkimų arba deformacijų.
2. Patikrinkite, ar antivibracinės sistemos detalės yra tinkamai pritvirtintos prie variklio ir rankenų.

Žr. *Gaminio apžvalga psl. 180*, jei reikia informacijos apie tai, kur jūsų produkte yra vibracijos slopinimo sistema.

Paleidimo / išjungimo jungiklio patikra

1. Naudokite paleidimo / stabdymo jungiklį varikliui išjungti.
2. Įsitikinkite, kad variklis visiškai išjungtas.

Norėdami sužinoti, kur yra paleidimo / stabdymo jungiklis jūsų gaminyje, žr. *Gaminio apžvalga psl. 180.*

Laikymo diržų sauga

Naudodami gaminį visada naudokite diržą. Be diržo gaminiu saugiai dirbti negalėsite. Taip galite susižeisti

patys arba sužeisti kitus asmenis. Įsitikinkite, kad juosmens ir krūtinės diržas yra užsegtas ir tinkamai sureguliuotas. Neužsegta diržą gali įtraukti gaminio ventiliatorius.

(Pav. 20)

Degalų naudojimo sauga



PERSPĖJIMAS: Prieš imdamiesi naudoti gaminį perskaitykite toliau nurodytus įspėjamuosius nurodymus.

- Nemaišykite arba nepilkite degalų patalpoje arba šalia šilumos šaltinio.
- Neužveskite gaminio, jei apliejote gaminį arba kūną alyva arba kuru.
- Neužveskite gaminio, jei iš variklio sunkiasi kuras. Reguliariai tikrinkite, ar iš variklio nesisunkia kuras.
- Su degalais visada elkitės atsargiai. Kuras yra degus, o jo garai – sproguos, todėl galima sunkiai susižaloti arba žūti.
- Neįkvėpkite kuro garų, nes jie gali sužaloti. Pasiūpinkite tinkamu vėdinimu.
- Nerūkykite greta kuro arba variklio.
- Nestatykite gaminio arba kuro bakelio greta šiltų objektų, atviros liepsnos, kibirkščių arba degiklio.
- Laikydami ir transportuodami kurą visada naudokite patvirtintus konteinerius.

Priežiūros saugos instrukcijos



PERSPĖJIMAS: Prieš imdamiesi naudoti gaminį perskaitykite toliau nurodytus įspėjamuosius nurodymus.

- Išjunkite variklį, išimkite uždegimo žvakę ir leiskite varikliui atvėsti prieš atlikdami techninę priežiūrą ir montuodami.
- Užsikimšus kibirkščių gesinimo tinkleliui variklis perkaista, todėl gali būti sugadintas.
- Jei kibirkščių gesinimo tinklelis dažnai užsikimša, tai gali reikšti, kad blogai veikia katalizatorius. Dėl duslintuvo patikrinimo kreipkitės į techninės priežiūros atstovą.

Surinkimas

Įvadas



PERSPĖJIMAS: Prieš surinkdami gaminį perskaitykite ir supraskite skyrių apie saugą.

Pūstuvo vamzdžio ir valdymo rankenėlės montavimas ant gaminio

Pasižymėkite: Sutepkite vamzdžius ir lanksčiąją žarną, kad būtų lengviau juos sumontuoti.

1. Pritvirtinkite lanksčiąją žarną (A) prie vamzdžio alkūnės ir valdymo vamzdžio (B) naudodami gnybtus (C) ir (D). (Pav. 21)

2. Pritvirtinkite rankenos laikiklį (E) prie valdymo vamzdžio. Sulygiuokite rankenos laikiklį su jungte ant valdymo vamzdžio. (Pav. 22)
3. Sureguliuokite valdymo rankenėlės padėtį, kad užtikrintumėte saugią ir tinkamą darbo padėtį. Priveržkite tvirtinimo rankenėlę.
4. Pritvirtinkite kabelį prie lanksčiosios žarnos naudodami kabelio gnybtus. (Pav. 23)
5. Pritvirtinkite tarpinį vamzdį prie valdymo vamzdžio. (Pav. 24)

6. Pritvirtinkite pūstuvo antgalį prie tarpinio vamzdžio.

Pasižymėkite: Pūstuvo antgalį galima tvirtinti tik prie tarpinio vamzdžio.

7. Esant didesniam oro greičiui, ant pūstuvo antgalio uždėkite greitaeigį antgalį.

Naudojimas

Išvadas



PERSPĖJIMAS: Prieš naudodami gaminį perskaitykite ir supraskite skyrių apie saugą.

Degalai

Išrenginys turi dvitaktį variklį.



PASTABA: Naudojant netinkamo tipo degalus gali būti sugadintas variklis. Naudokite benzino ir dvitaktčių variklių alyvos mišinį.

Iš anksto sumaišyti degalai

- Naudokite Husqvarna iš anksto sumaišytus alkilintus degalus, siekdami geriausių rezultatų ir prailginti variklio tarnavimo laiką. Šiuose degaluose palyginti su įprastiniais degalais yra mažiau kenksmingų chemikalų, todėl sumažėja kenksmingų išmetamųjų dujų kiekis. Likučių po degimo kiekis yra mažesnis, naudojant šiuos degalus, todėl variklio komponentai išlieka švaresni.

Degalų maišymas

Benzinas

- Naudokite kokybišką bešvinį benzina, kurio etanolio koncentracija yra iki 10 %.



PASTABA: Nenaudokite benzino, kurio oktaninis skaičius yra mažesnis nei 90 RON/87 AKI. Naudojant žemesnio oktaninio skaičiaus degalus gali nesklaidžiai veikti variklis, tai pažeis variklį.

Alyva dvitaktčiams varikliams

- Siekdami geriausių rezultatų ir našumo, naudokite Husqvarna dvitaktčių variklių alyvą.
- Jei negalite gauti Husqvarna dvitaktčio variklio alyvos, naudokite geros kokybės dvitaktčių variklių

alyvą, skirtą oru aušinamiems varikliams Norėdami išsirinkti tinkamą alyvą, kreipkitės į techninio aptarnavimo atstovą.



PASTABA: Niekada nenaudokite dvitaktės alyvos, skirtos vandeniu aušinamiems valčių varikliams, dar vadinamos valčių variklių alyva. Nenaudokite alyvos, skirtos keturtaktčiams varikliams.

Degalų ir dvitaktčių variklių alyvos maišymas

Benzinas, litrais	Dvitaktčio variklio alyva, litrais
	2 % (50:1)
5	0,10
10	0,20
15	0,30
20	0,40



PASTABA: Maišant nedidelius degalų kiekius, nedidelė paklaida gali stipriai pakeisti mišinio santykį. Kruopščiai pamatuokite alyvos kiekį, kad gautumėte tinkamą mišinį.

(Pav. 25)

1. Pripildykite pusę kiekio degalų švarioje talpykloje degalams.
2. Supilkite visą alyvos kiekį.
3. Suplakite degalų mišinį.
4. Tada supilkite likusią benzino dalį į talpyklą.
5. Kruopščiai suplakite degalų mišinį.



PASTABA: Nesumaišykite degalų ilgesniam nei 1 mėnesio laikotarpiui.

Kuro bakelio užpildymas



PERSPĖJIMAS: Laikykitės procedūrų, kurios skirtos užtikrinti jūsų saugą.

1. Išjunkite variklį ir palaukite, kol jis atvės.
2. Nuvalykite sritį aplink kuro bakelio dangtelį. (Pav. 26)
3. Papurtykite talpyklą, kad degalai gerai susimaišytų.
4. Lėtai nuimkite kuro bakelio dangtelį, kad išleistumėte slėgį.
5. Užpildykite degalų bakelį.



PASTABA: Degalų bakelio neperpildykite. Degalams įkaitus šie pečiiasi.

6. Stipriai užsukite degalų bakelio dangtelį.
7. Išvalykite išsiliejusius degalus art gaminio ir aplink jį.
8. Prieš paleidami gaminį visada patraukite jį 3 metrus / 10 pėdų nuo degalų pildymo vietos ir degalų talpyklos.

Pasižymėkite: Norėdami sužinoti, kur yra kuro bakelis jūsų gaminyje, žr. *Gaminio apžvalga psl. 180*.

Šalto variklio užvedimas



PERSPĖJIMAS: Oras pradedamas pūsti iš karto po variklio paleidimo, netgi jam veikiant tuščiaja eiga. Neleiskite žmonėms stovėti šalia pūstuvo ar pūstuvo vamzdžio.

1. Jeigu variklis šaltas, oro sklendės rankenėlę (A) nustatykite į uždarytos oro sklendės padėtį. Žr. *Simboliai ant gaminio psl. 180*. (Pav. 27)
2. Bent 10 kartų pakartotinai paspauskite oro šalinimo siurbliuką (B), kol užsipildys degalais. Nebūtina visiškai pripildyti oro šalinimo siurbliuko.
3. Nustatykite akceleratoriaus svirtį į didelių tuščiųjų apsuokų padėtį. Akceleratoriaus valdymo svirties žymės sulygiuokite su valdymo rankenėle. (Pav. 28)
4. Padėkite gaminį ant lygaus žemės paviršiaus.
5. Laikykite gaminį kairiąją ranka ir uždėkite pėdą ant pėdos plokštelės. (Pav. 29)
6. Lėtai traukite starterio virvės rankenėlę dešine ranka, kol atsiras pasipriešinimas.

Pasižymėkite: Netraukite starterio lyno rankenos iki galo ir nepaleiskite jos.

7. Greitai patraukite starterio virvės rankenėlę dešine ranka, kol variklis užsives ar bandys užsivesti, bet ne daugiau kaip 6 kartus. Varikliui užsivedus, oro sklendės rankenėlę po truputį perkelkite į atidarytą padėtį ir pereikite prie 11 veiksmo. Varikliui neužsivedus, pereikite prie 9 veiksmo.
8. Varikliui bandant užsivesti, oro sklendės rankenėlę po truputį perkelkite į atidarytą padėtį.
9. Greitai patraukite starterio virvės rankenėlę dešiniąją ranka, kol variklis užsives, bet ne daugiau kaip 6 kartus.



Pasižymėkite: Jei variklis neužsiveda, dar kartą vadovaukitės užvedimo instrukcijomis, nurodytomis ties 1 veiksmu.

10. 30 sekundžių palaukite, kol variklis įšils.
11. Akceleratoriaus valdymo svirtimi nustatykite greitį tuščiaja eiga. (Pav. 30)
12. Valdykite pūstuvo greitį spausdami akceleratoriaus gaiduką. Žr. *Akceleratoriaus gaiduko naudojimas psl. 185*.

Šilto variklio užvedimas

- Jeigu aplinkos temperatūra žemesnė negu 32 °C / 90 °F, vadovaukitės ta pačia užvedimo procedūra kaip ir atlikdami *Šalto variklio užvedimas psl. 185* veiksmą, tačiau nenustatykite oro sklendės rankenėlės į uždarytą oro sklendės padėtį.
- Jeigu aplinkos temperatūra aukštesnė negu 32 °C / 90 °F, vadovaukitės ta pačia užvedimo procedūra kaip ir atlikdami *Šalto variklio užvedimas psl. 185* veiksmą.

Akceleratoriaus gaiduko naudojimas

- Norėdami pūstuvo greitį padidinti įrenginiui veikiant, spauskite akceleratoriaus gaiduką, kol nustatysite reikiamą greitį. (Pav. 31)
- Norėdami pūstuvo greitį sumažinti įrenginiui veikiant, atleiskite akceleratoriaus gaiduką, kol nustatysite reikiamą greitį.

Variklio užvedimas, kai kuras per daug karštas

Jeigu gaminyje neužsiveda, gali būti, kad kuras yra per daug karštas.

Pasižymėkite: Esant karštam orui, visada naudokite naują kurą, kad darbus atliktumėte greičiau.

1. Padėkite gaminį vėsioje vietoje, atokiai nuo tiesioginių saulės spindulių.
2. Leiskite gaminiiui atvėsti bent 20 minučių.
3. 10–15 sekundžių spaudinėkite oro šalinimo pūslelę.
4. Atlikite šalto variklio užvedimo procedūrą. Žr. *Šalto variklio užvedimas psl. 185*.

Gaminio naudojimas

- Naudokite gaminį įprastomis darbo valandomis. Laikykitės vietinių įstatymų.
- Sumažinkite įrangos dalis ir pasirinkite savo užduočiai tinkamą greitį. Naudokite akceleratorių, nustatytą žemiausioje padėtyje, kad sumažintumėte triukšmą ir dulkių kiekį.
- Laikykite pūstuvo antgalį šalia žemės.

Pasižymėkite: Husqvarna rekomenduoja naudoti visą pūstuvo antgalio pailginimą.

- Įsidėmėkite vėjo kryptį ir naudokite gaminį atsižvelgdami į ją.
- Tinkamais sodo įrankiais atkrapštykite medžiagą nuo žemės.
- Dulketose vietose naudokite purškimo įrangą, kad sudrėkintumėte paviršius. Tokiu būdu sutrumpinsite darbo laiką.
- Baigę darbą, sandėliuokite gaminį vertikaliai.

Gaminio sustabdymas



PASTABA: Nesustabdykite gaminio, kai jis veikia visu greičiu.

1. Paspauskite stabdymo jungiklį. (Pav. 32)

Pasižymėkite: Gaminui sustojus pasigirs stuktėlėjimas. Tai įprastinis požymis, nereiškiantis, kad gaminys sugedo.

Laikymo diržų reguliavimas

1. Užsidėkite gaminio laikymo diržus.
2. Juosmens diržą užsidėkite ant juosmens ir užsėkite juosmens diržo sagtį. (Pav. 33)
3. Priveržkite juosmens diržą. (Pav. 34)
4. Užsėkite krūtinės diržo sagtį. (Pav. 35)
5. Sureguliuokite krūtinės diržo padėtį. (Pav. 36)
6. Priveržkite krūtinės diržą. (Pav. 37)
7. Veržkite pečių diržus tol, kol gaminys tvirtai laikysis prie kūno. (Pav. 38)
8. Priveržkite kėlimo diržus. (Pav. 39)

Techninė priežiūra

Įvadas



PERSPĖJIMAS: Prieš prižiūredami produktą, perskaitykite ir supraskite saugos skyrių.

Priežiūros grafikas

Techninės priežiūros darbas	Kasdien	Savaitinė	Kiekvieną mėnesį
Nuvalykite išorinius paviršius.	X		
Patikrinkite, ar valdymo rankenėlė tinkamai veikia.	X		
Patikrinkite, ar paleidimo / stabdymo jungiklis tinkamai veikia. Žr. <i>Paleidimo / išjungimo jungiklio patikra psl. 183.</i>	X		
Patikrinkite variklį, degalų bakelį ir degalų žarneles, ar nėra nuotėkio. Patikrinkite, ar nepažeistas kuro filtras. Jeigu reikia, kuro filtrą pakeiskite.	X		
Išvalykite oro filtrą. Jeigu jis vis tiek nešvarus, oro filtrą pakeiskite.	X		
Priveržkite varžles ir varžtus.	X		
Patikrinkite oro įsiurbimo groteles, kad įsitikintumėte, ar jos neužblokuotos.	X		
Patikrinkite, ar nesugadintas starteris ir starterio virvė.		X	

Techninės priežiūros darbas	Kasdien	Savaitinė	Kiekvieną mėnesį
Patikrinkite, ar virpesių slopintuvai nėra pažeisti, įtrūkę ir deformuoti. Patikrinkite, ar virpesių slopintuvai sumontuoti pagal reikalavimus.		X	
Patikrinkite uždegimo žvakę. Žr. <i>Žvakės patikra psl. 187.</i>		X	
Išvalykite aušinimo sistemą.		X	
Išvalykite karbiuratoriaus išorinį paviršių ir plotą aplink jį.		X	
Išvalykite kuro baką.			X
Patikrinkite visus laidus ir jungtis.			X
Patikrinkite ir nuvalykite duslintuvo kibirkščių gėsinimo tinklėį (gaminiai be katalizatoriaus).		X	
Patikrinkite ir nuvalykite duslintuvo kibirkščių gėsinimo tinklėį (gaminiai su katalizatoriumi).			X
Patikrinkite uždegimo žvakę. Jei reikia, pakeiskite.			X

Greičio tuščiaja eiga reguliavimas

1. Pasižiūrėkite, ar oro filtras yra švarus ir ar uždėtas oro filtro dangtelis.
2. Laisvosios eigos apsisukimus reguliuokite varžtu. Norėdami sužinoti, kur yra laisvosios eigos greičio reguliavimo varžtas jūsų gaminyje, žr. *Gaminio apžvalga psl. 180.*

Žvakės patikra



PASTABA: Naudokite rekomenduojamą uždegimo žvakę. Žr. *Techniniai duomenys psl. 190.* Netinkama uždegimo žvakė gali sugadinti gaminį.

1. Išjunkite variklį ir palaukite, kol gaminys atvės.
2. Jei uždegimo žvakė nešvari, nuvalykite ją.
3. Patikrinkite, ar tarpas tarp elektrodų yra tinkamas. žr. *Techniniai duomenys psl. 190.* (Pav. 40)
4. Keiskite uždegimo žvakę kas mėnesį ar dažniau, jei reikia.

Duslintuvo priežiūra



PASTABA: Jei kibirkščių gėsinimo tinklėlis dažnai užsikemša, tai gali reikšti, kad blogai veikia katalizatorius. Dėl duslintuvo patikrinimo kreipkitės į techninės priežiūros atstovą. Dėl užsikimšusio kibirkščių gėsinimo tinklėlio įrenginys gali perkaisti ir pažeisti cilindrą bei stūmoklį.



PASTABA: Pažeistą kibirkščių gėsinimo tinklėį reikia pakeisti. Nenaudokite gaminio, jeigu ant duslintuvo nėra kibirkščių gėsinimo tinklėlio arba jis pažeistas.

- Išvalykite duslintuvo kibirkščių sulaikymo tinklėį. Naudokite vielinį šepetėlį. (Pav. 41)
- Pasirūpinkite, kad techninės priežiūros atstovas pakeistų duslintuvą ir kibirkščių gėsinimo tinklėį arba atliktų šių dalių techninę priežiūrą kas 50 darbo valandų.

Aušinimo sistemos patikrinimas ir išvalymas

Aušinimo sistemą sudaro aušinimo briaunos ant cilindro ir oro įsiurbimo grotelės.

1. išjunkite variklį.
2. Patikrinkite, ar aušinimo sistema neužteršta ir neužsikimšusi. Jei reikia, nuvalykite oro įsiurbimo grotėles ir aušinimo briaunas.



PASTABA: Jei aušinimo sistema nešvari ar užsikimšusi, gali perkaisti variklis ir dėl to sugesti gaminys. Dėl užsikimšusių oro įsiurbimo grotelių silpnėja pūtimo jėga.

3. Patikrinkite, ar nepažeista aušinimo sistema. Pasirūpinkite, kad dalys būtų tinkamai pritvirtintos pasiegtame gaminio.

Oro filtro valymas



PASTABA: Nenaudokite gaminio be oro filtro arba su pažeistu oro filtru. Ore esančios dulės gali pažeisti variklį.

1. Pastumkite oro sklendės rankenėlę į uždarymo padėtį.
2. Nuimkite oro filtro gaubtą (A).
3. Nuo oro filtro dangtelio nuimkite pirminį filtrą (B). (Pav. 42)
4. Iš filtro rėmelio išimkite oro filtrą (C).

5. Išplaukite pirminį filtrą ir oro filtrą šiltame muiluotame vandenyje.

Pasižymėkite: Ilgai naudoto oro filtro negalima iki galo išvalyti. Reguliariai keiskite oro filtrą ir visuomet pakeiskite sugadintą oro filtrą.

6. Nuvalykite vidinį oro filtro dangtelio (A) paviršių šepetiu.
7. Įdėkite oro filtrą į filtro rėmelį.
8. Prie oro filtro dangtelio pritvirtinkite pirminį filtrą.
9. Pritvirtinkite oro filtro dangtelį prie gaminio.

Gedimai ir jų šalinimas

Neįmanoma užvesti variklio		
Patikrinimas	Galima priežastis	Sprendimas
Starterio strektės.	Užblokuotos arba nusidėvėjusios starterio strektės.	Sureguliuokite arba pakeiskite starterio strektę (-es).
		Nuvalykite sritį aplink starterio strektę (-es).
		Kreipkitės į įgaliotą priežiūros specialistą.
Degalų bakelis.	Netinkama kuro rūšis.	Ištuštinkite degalų bakelį ir naudokite tinkamus degalus.
Karbiuratorius.	Tuščios eigos greičio reguliavimas.	Laisvosios eigos apsisukimus reguliuokite koregavimo varžtu.
Kibirkštis (nėra kibirkšties).	Uždegimo žvakė yra nešvari arba drėgna.	Pasirūpinkite, kad uždegimo žvakė būtų sausa ir švari.
	Netinkamas tarpas tarp elektrodų ant uždegimo žvakės.	Išvalykite žvakę. Patikrinkite, ar tarpas tarp elektrodų yra tinkamas. Informacijos apie tinkamą tarpą tarp elektrodų rasite techniniuose duomenyse.
Uždegimo žvakė.	Uždegimo žvakė neprivertta.	Privertkite uždegimo žvakę.
	Ant uždegimo žvakės elektrodų yra nepageidaujamos medžiagos.	Įsitinkite, kad naudojate tinkamą kuro mišinį. Patikrinkite, ar oro filtras švarus.

Variklis užsiveda, tačiau vėl užgęsta		
Patikrinimas	Galima priežastis	Sprendimas
Degalų bakelis.	Netinkama kuro rūšis.	Ištuštinkite degalų bakelį ir naudokite tinkamus degalus.
Karbiuratorius.	Variklis neveikia tinkamai tuščiajame eiga.	Kreipkitės į techninio aptarnavimo atstovą.
Oro filtras.	Užsikimšęs oro filtras	Išvalykite oro filtrą.

Gabenimas ir laikymas

Gabenimas ir laikymas



PERSPĖJIMAS: Kad išvengtumėte gaisro pavojaus, įsitikinkite, kad gabenimo ar laikymo metu nėra nuotėkių arba dūmų. Įsitikinkite, kad nėra kibirkščių arba gaisro pavojaus.

- Ištuštinkite degalų bakelį prieš gabenimą arba ilgą laikymą. Pastumkite oro šalinimo siurbliuką, kad užtikrintumėte, jog visi degalai išleisti. Degalus išleiskite tinkamoje šalinimo vietoje.
- Prieš palikdami saugoti ilgesniam laikui, įsitikinkite, kad gaminys yra švarus ir atlikti visi priežiūros darbai.
- Išsukite uždegimo žvakę ir į cilindrą įpilkite maždaug 15 ml dvitakčių variklių alyvos. Pasukite gaminį 3 kartus ir vėl įsukite uždegimo žvakę.
- Gabenimo metu gaminį saugiai pritvirtinkite prie transporto priemonės.
- Laikykite gaminį sausoje, vėsioje ir švarioje vietoje, kurioje yra geras oro srautas. Saugokite gaminį nuo vaikų.

Techniniai duomenys

Techniniai duomenys

	Husqvarna 345BT (BP152HV)
Variklis	
Cilindro darbinis tūris, cm ³	51,7
Greitis tuščiaja eiga, aps./min.	2800
Katalizatorius	Taip
Uždegimo sistema	
Degimo žvakė	NGK BPMR7A / „Champion RCJ6Y“
Tarpas tarp elektrodų, mm	0,6–0,7
Uždegimo žvakės sukimo momentas, Nm	Nuo 25 iki 30
Degalų ir tepimo sistema	
Kuro bakelio talpa, l / cm ³	1,0 / 1000
Svoris	
Svoris be degalų, kg	10,0
Skleidžiamas triukšmas ⁴³	
Garso galios lygis, išmatuotas dB (A)	110
Garso galios lygis, garantuojamas L _{WA} dB (A)	113
Garso lygiai ⁴⁴	
Tolygus garso slėgio naudotojo ausiai lygis, išmatuotas pagal EN15503, dB(A):	
Su pūtimo antgaliu (originalus)	101
Vibracijos lygis ⁴⁵	
Ekvivalentiški rankenų vibracijos lygiai (a _{hv,eq}), išmatuoti pagal EN 15503, m/s ²	6,1
Ventiliatoriaus parametrai	
Maksimalus oro greitis su greitaeigiu antgaliu, m/s	98,3
Oro srautas be greitaeigio antgalio, m ³ /min.	13,9

⁴³ Triukšmas, skleidžiamas į aplinką, išmatuotas kaip garso galia (L_{WA}) pagal EB direktyvą 2000/14/EB. Pateiktas įrenginio garso stiprumo lygis buvo išmatuotas naudojant didžiausią garsą sukeltantį originalų pjovimo įtaisą. Skirtumas tarp garantuojamos ir išmatuotos garso galios yra tas, kad pagal Direktyvą 2000/14/EB garantuojama garso galia apima ir matavimo rezultatų sklaidą bei nukrypimus tarp skirtingų to pačio modelio įrenginių.

⁴⁴ Pateikiamų triukšmo slėgio duomenų būdingoji statistinė sklaida (standartinis nuokrypis) lygi 3,0 dB (A).

⁴⁵ Pateiktuose vibracijos lygio duomenyse yra 1,5 m/s² tipiška statistinė sklaida (standartinis nuokrypis).

EB atitikties deklaracija

EB atitikties deklaracija

Mes, „Husqvarna AB“, SE 561 82 Huskvarna, ŠVEDIJA, savo atsakomybe pareiškiame, kad pateiktas gaminys:

Pär Martinsson

Atsakingas už techninę dokumentaciją



Aprašymas	Benzininis pūstuvus / pūstuvus-siurblys
Gamintojas	Husqvarna
Platforma / tipas / modelis	Platforma BP152HV, atitinkanti modelį 345BT.
Partija	Serijos numerių data nuo 2022.

visiškai atitinka šias ES direktyvas ir reglamentus:

Direktyva / reglamentas	Aprašymas
2006/42/EB	„dėl mašinų“
2014/30/ES	„dėl elektromagnetinio suderinamumo“
2000/14/EB	„dėl triukšmo lauke“
2011/65/ES	dėl tam tikrų pavojingų medžiagų naudojimo apribojimo

Taikomi tokie darnieji standartai ir (arba) techninės specifikacijos: EN ISO 12100:2010, EN 15503:2009+A2, CISPR 12:2007, EN ISO 14982:2009, EN IEC 63000:2018, EN IEC 63000:2018

Pagal 2000/14/EB direktyvos V priedą nustatytosios garso vertės pateikiamos šios instrukcijos techninių duomenų skyriuje.

Bendrovė „TÜV Rheinland“ atliko neatlygintą tyrimą bendrovės „Husqvarna AB“ vardu ir pateikia AM 50391742 – EB komisijos 2006/42/EB direktyvos dėl mašinų atitikties sertifikata.

Šis sertifikatas galioja visoms gamybos vietoms ir kilmės šalims, nurodytoms gaminio etiketėje.

Pristatytas benzininis pūstuvus / pūstuvus-siurblys atitinka kontrolę praėjusį pavyzdį.

Husqvarna AB, SE-561 82 Huskvarna, ŠVEDIJA, vardu

Saturs

Ievads.....	192	Problēmu novēršana.....	200
Drošība.....	193	Pārvadāšana un uzglabāšana.....	201
Montāža.....	195	Tehniskie dati.....	202
Lietošana.....	196	EK atbilstības deklarācija.....	203
Apkope.....	198		

Ievads

Izstrādājuma apraksts

Šis izstrādājums ir mugursomas tipa pūtējs ar benzīna dzinēju.

Mēs pastāvīgi strādājam, lai pilnveidotu savus izstrādājumus, un tāpēc paturam tiesības izdarīt izmaiņas, piemēram, izstrādājumu formai un izskatam bez iepriekšēja paziņojuma.

Izstrādājuma pārskats

(Att. 1)

1. Droseles vadības svira
2. Korpus
3. Stiprinājuma sikсна (drošības josta)
4. Dzinēja pārsegs
5. Ventilatora pārsegs
6. Gaisa ieplūdes sietfiltrs
7. Gaisa filtrs
8. Startera auklas rokturis
9. Degvielas tvertne
10. Vidusjosta
11. Aizdedzes svece
12. Vibrāciju samazināšanas sistēma
13. Gaisa vārsta vadība
14. Vadības rokturis
15. Izslēgšanas slēdzis ar droseles vadības ierīci
16. Droseles mēlīte
17. Caurules izliktā daļa
18. Skava
19. Lokanā caurule
20. Caurules vadības elements
21. Kabeļa skava
22. Starpcaurule
23. Pūtēja uzgalis
24. Lietotāja rokasgrāmata
25. Kombinētā uzgriežņu atslēga
26. Atgaisošanas sūkņa balons
27. Liela ātruma sprausla
28. Tukšgaitas regulēšanas skrūve
29. Ventilators
30. Kājas plāksne

Paredzētā lietošana

Izmantojiet izstrādājumu lapu un cita nevēlama materiāla aizpūšanai no tādām vietām kā zālāji, gājēju ietves un asfaltēti ceļi.

Simboli uz izstrādājuma

- (Att. 2) BRĪDINĀJUMS. Šis izstrādājums var būt bīstams un radīt smagas vai nāvējošas traumas operatoram vai citiem cilvēkiem. Esiet uzmanīgi un lietojiet izstrādājumu pareizi.
- (Att. 3) Rūpīgi izlasiet šo lietotāja rokasgrāmatu un pirms izstrādājuma lietošanas pārlicinieties, vai izprotat instrukcijas.
- (Att. 4) Izmantojiet apstiprinātus dzirdes un acu aizsarglīdzekļus. Ja strādājat puteļainā vidē, lietojiet elpceļu aizsargmasku.
- (Att. 5) Izstrādājuma izmantošanas un tehniskās apkopes laikā izmantojiet apstiprinātus aizsargcimdus. Izmantojiet aizsargapavus vai apavus ar neslidošu zoli. Valkājiet no izturīga auduma darinātu apģērbu, kas pārklāj visu ķermeni.
- (Att. 6) Garus matus sasieniet, lai tie būtu virs pleciem.
- (Att. 7) Izstrādājuma izmantošanas laikā nenēsājiet rotaslietas vai vaļiņu apģērbu.
- (Att. 8) Benzīna un divtaktu dzinēja eļļas maisījums.
- (Att. 9) Atgaisošanas sūkņa balons.
- (Att. 10) Netuviniet ķermeņa daļas karstām virsmām.

- (Att. 11) Netuvojieties lāpstiņritenim, kad tas griežas.
- (Att. 12) Gaisa vārsts, atvērta pozīcija.
- (Att. 13) Gaisa vārsts, aizvērta pozīcija.
- (Att. 14) Tukšgaitas regulēšanas skrūve.
- (Att. 15) Šis izstrādājums atbilst spēkā esošajām EK direktīvām.
- (Att. 16) Šis izstrādājums atbilst spēkā esošajiem AK regulām.
- (Att. 17) Trokšņa izplūde vidē atbilstoši Eiropas Direktīvai 2000/14/EK un Jaundienvīdvelsas tiesību aktiem "Darba vidē aizsardzības (trokšņa kontroles) regula (2017)". Trokšņa emisijas dati ir atrodami uz izstrādājuma etiķetes un tehnisko datu nodaļā.

Uzmanieties no izsviestiem objektiem. Izsviesti objekti var radīt nopietnas traumas. Lietojiet individuālos aizsardzības līdzekļus.

(Att. 18)

(Att. 19)

Ievērojiet drošības distanci — citas personas vai dzīvnieki nedrīkst atrasties tuvāk par 15 m.

Datu plāksnītē vai lāzera izdrukā ir norādīts sērijas numurs. **yyyy** ir ražošanas gads, un **ww** ir ražošanas nedēļa.

yyyywwxxxx

Piezīme: Pārējie uz izstrādājuma norādītie simboli/uzlīmes attiecas uz citu tirdzniecības nozaru sertifikācijas prasībām.

Atbildība par izstrādājuma kvalitāti

Saskaņā ar likumiem par izstrādājuma kvalitāti mēs neuzņemamies atbildību par bojājumiem, ko radījis mūsu izstrādājums, ja:

- ir veikts nepareizs izstrādājuma remonts;
- izstrādājuma remonts ir veikts, izmantojot detaļas, ko nav nodrošinājis vai apstiprinājis ražotājs;
- izstrādājumam tiek pievienots piederums, ko nav nodrošinājis vai apstiprinājis ražotājs;
- izstrādājuma remonts nav veikts pilnvarotā remontdarbnīcā vai pie pilnvarota speciālista.

Drošība

Drošības definīcijas

Tālāk sniegtās definīcijas norāda katra signālvārda nozīmīguma līmeni.



BRĪDINĀJUMS: Traumas.



IEVĒROJIET: Izstrādājuma bojājumi.

Piezīme: Šī informācija atvieglo izstrādājuma lietošanu.

Vispārīgi norādījumi par drošību



BRĪDINĀJUMS: Pirms izstrādājuma lietošanas izlasiet tālāk izklāstītos brīdinājumus.

- Bez ražotāja apstiprinājuma neveiciet nekādas izstrādājuma izmaiņas un vienmēr izmantojiet oriģinālos piederumus. Neapstiprinātas izmaiņas

un/vai piederumi var radīt nopietnas traumas vai operatora vai citu personu nāvi.

- Nelietojiet bojātu izstrādājumu. Veiciet drošības pārbaudes un tehnisko apkopi, kas norādīta šajā lietošanas rokasgrāmatā. Visi pārējie apkopes darbi ir jāveic apstiprināta servisa darbiniekiem.
- Visi pārējie apkopes darbi un remonts ir jāveic apstiprināta servisa darbiniekiem. Ja kāda izstrādājuma daļa ir bojāta, sazinieties ar izplatītāju, kas nodrošina apkopi.

Drošība saistībā ar vibrācijām

Šis izstrādājums ir paredzēts tikai neregulārai ekspluatācijai. Izstrādājuma ilgstoša vai regulāra lietošana vibrāciju dēļ var izraisīt "balto pirkstu" sindromu vai līdzīgas medicīniskas problēmas. Ja lietojat šo izstrādājumu ilgstoši un regulāri, pārbaudiet roku un pirkstu stāvokli. Ja rokas vai pirksti kļūst bāli, sāp, tirpst vai kļūst nejutīgi, pārtrauciet darbu un nekavējoties sazinieties ar ārstu.

Darba drošības norādījumi



BRĪDINĀJUMS: Pirms izstrādājuma lietošanas izlasiet tālāk izklāstītos brīdinājumus.

- Šis izstrādājums var būt bīstams un izraisīt nopietnas vai nāvējošas traumas operatoram vai citām personām. Esiet uzmanīgs un lietojiet izstrādājumu pareizi.
- Pirms lietošanas pārbaudiet izstrādājumu. Sk. *Apkope lpp. 198*.
- Neizmantojiet šo izstrādājumu, ja esat noguris, slims vai lietojis alkoholu vai citas vielas, kas var ietekmēt redzi, spriešanas spējas vai koordināciju.
- Pirms lietošanas uzlieciet visus pārsegus un aizsargus. Lai nepieļautu elektrotriecienu, pārbaudiet, vai nav bojāts aizdedzes sveces vāciņš un aizdedzes vads.
- Neaiztieciet aizdedzes sveci vai aizdedzes vadu, kamēr darbojas dzinējs.
- Ievērojiet drošības distanci — citas personas vai dzīvnieki nedrīkst atrasties tuvāk par 15 m. Ja kāda persona, bērns vai dzīvnieks pienāk tuvāk par 15 m, izslēdziet izstrādājumu. Gādājiet, lai izstrādājums nebūtu vērsts personu, dzīvnieku, atvērto logu un citu priekšmetu virzienā.
- Neļaujiet bērniem darbināt izstrādājumu. Gādājiet, lai visi operatori būtu izlasījuši un izpratuši šīs lietošanas rokasgrāmatas saturu.
- Izstrādājuma lietošanas laikā nepieskarieties pūtēja korpusam ar rokām un nenovietojiet uz tā citus priekšmetus. Rotējošas daļas var radīt nopietnas traumas.
- Nelietojiet izstrādājumu, ja nav uzstādīts gaisa iepļūdes sietfiltrs. Pirms lietošanas noteikti pārbaudiet, vai ir uzstādīts un nav bojāts gaisa iepļūdes sietfiltrs.
- Ārkārtas situācijā atvienojiet stiprinājuma vidusjostu un krūšu daļas siksnu, ļaujot izstrādājumam nokrist.
- Ievērojiet nacionālos noteikumus un norādījumus.
- Netuviniet ķermeņa daļas karstām virsmām.
- Pārāk liela vibrācija var radīt asinsrites vai nervu sistēmas bojājumus. Vērsieties pie ārsta, ja novērojat tādus simptomus kā nejutība, jutības traucējumi, tirpšana, durstīga sajūta, sāpes, nespēks, pirkstu, roku vai locītavu ādas krāsas izmaiņas.
- Uzmanieties no izviestiem objektiem. Izsviesti objekti var radīt nopietnas traumas.
- Neizmantojiet izstrādājumu sliktos laikapstākļos, piemēram, miglā, lietū, spēcīgā vējā un ļoti lielā aukstumā. Darba veikšana sliktos laikapstākļos var izraisīt nogurumu un bīstamas situācijas.
- Pārļiecinieties, vai varat kustēties un strādāt stabilā stāvoklī. Pārbaudiet, vai darba veikšanas zonā nav iespējama šķēršļu, piemēram, akmeņu. Strādājot ar šo izstrādājumu nogāzēs, jāievēro piesardzība.
- Nelieciet izstrādājumu zemē, kad tā dzinējs darbojas.
- Neizmantojiet izstrādājumu, atrodoties augstumā, piemēram, uz trepēm.
- Gādājiet, lai jūs vienmēr kāds sadzirdētu, ja notiek nelaimes gadījums.

- Pārļiecinieties, vai nav bloķēta izplūdes gāzu caurule. Lai novērstu izstrādājuma bojājumus, izplūdes gāzu caurules tuvumā (vismaz 50 cm attālumā) nedrīkst būt šķēršļi.
- Nelietojiet izstrādājumu telpās, slikti ventilētās vietās vai uzliesmojošu materiālu tuvumā. Dzinēja izplūdes gāzu sastāvā ir oglekļa monoksīds, kas var izraisīt saindēšanos. Izplūdes gāzes ir karstas, un tajās var būt dzirksteles, kas var izraisīt aizdegšanos.

Individuālie aizsarglīdzekļi



BRĪDINĀJUMS: Pirms izstrādājuma lietošanas izlasiet tālāk izklāstītos brīdinājumus.

- Izmantojot izstrādājumu, lietojiet apstiprinātu personīgo aizsargaprīkojumu. Individuālie aizsarglīdzekļi nevar pilnībā novērst traumu gūšanas risku, taču var samazināt traumas smagumu. Lai iegūtu plašāku informāciju, sazinieties ar savu izplatītāju.
- Izmantojiet apstiprinātus dzirdes aizsarglīdzekļus. Ilgstoša uzturēšanās trokšņainā vidē var radīt neatgriezeniskus dzirdes bojājumus.
- Izmantojiet apstiprinātus acu aizsarglīdzekļus. Apstiprinātas aizsargbrilles ir jālieto arī tad, ja tiek izmantots sejšegs. Apstiprinātas aizsargbrilles ir tādas, kas atbilst standarta ANSI Z87.1 prasībām ASV vai standarta EN 166 prasībām ES valstīs.
- Izstrādājuma izmantošanas un tehniskās apkopes laikā izmantojiet aizsargcimdus.
- Izmantojiet aizsargapavus vai apavus ar neslidošu zoli.
- Valkājiet no izturīga auduma darinātu apģērbu, kas pārklāj visu ķermeni. Neizmantojiet rotaslietas vai atvērtus apavus. Lai mazinātu traumu gūšanas risku, jūsu apģērbam ir jābūt pieguļošam, taču tas nedrīkst ierobežot kustības. Lai novērstu matu nokļūšanu rotējošās daļās vai aizķeršanos aiz zariem, sakārtojiet tos tā, lai tie būtu virs pleciem.
- Ja strādājāt putekļainā vidē, izmantojiet elpceļu aizsarglīdzekļus.
- Turiet tuvumā neatliekamās palīdzības aprīkojumu.

Izstrādājuma drošības ierīces



BRĪDINĀJUMS: Pirms sākat lietot izstrādājumu, izlasiet tālāk izklāstītās brīdinājuma instrukcijas.

- Nelietojiet izstrādājumu ar bojātām drošības ierīcēm.
- Regulāri pārbaudiet drošības ierīces. Sk. *Apkope lpp. 198*.
- Ja drošības ierīces ir bojātas, sazinieties ar vietējo Husqvarna apkopes sniedzēju.

Slāpētāja pārbaude



BRĪDINĀJUMS: Neizmantojiet izstrādājumu, ja ir bojāts slāpētājs.



BRĪDINĀJUMS: Slāpētājs lietošanas laikā, pēc tās un darbojoties brīvgaitā kļūst ļoti karsts. Lietojiet aizsargcimdus, lai novērstu apdegumus.



BRĪDINĀJUMS: Slāpētāja iekšpusē ir ķīmiskas vielas, kas var būt kancerogēnas. Nepieskarieties slāpētājam, ja tas ir bojāts.

- Regulāri apskatiet slāpētāju, lai pārbaudītu, vai tas nav bojāts. Trokšņa slāpētājs nodrošina minimālu troksni un novirza dzinēja izplūdes gāzes prom no operatora. Sk. *Dzesēšanas sistēmas pārbaude un tīrīšana lpp. 199.*

Vibrāciju slāpēšanas sistēmas pārbaude

1. Pārbaudiet, vai vibrāciju slāpēšanas bloki nav ierīnājuši vai deformēti.
2. Pārbaudiet, vai vibrāciju slāpēšanas bloki ir pareizi piestiprināti motora blokam un roktura blokam.

Informāciju par to, kur konkrētajā ķēdes žāgīt atrodas vibrāciju slāpēšanas sistēma, skatiet šeit: *Izstrādājuma pārskats lpp. 192.*

Start/Stop (ieslēgšanas/izslēgšanas) slēdža pārbaude

1. Lai izslēgtu motoru, izmantojiet Start/Stop slēdzi.
2. Pārbaudiet, vai dzinējs pilnībā apstājas.

Informāciju par to, kur atrodas Start/Stop slēdzis, sk. *Izstrādājuma pārskats lpp. 192.*

Stiprinājuma siksnu drošība

Lietojot izstrādājumu, vienmēr izmantojiet stiprinājuma siksnu. Neizmantojot stiprinājuma siksnu, izstrādājumu nav iespējams lietot droši. Tādējādi jūs vai citas personas var gūt traumas. Gurnu jostai un krūšu jostai jābūt piestiprinātai un pareizi pielāgotai. Ja josta nav aiztaisīta, pastāv risks, ka tā var iekļūt izstrādājuma ventilatorā.

(Att. 20)

Montāža

Ievads



BRĪDINĀJUMS: Pirms izstrādājuma montāžas izlasiet un izprotiet drošības norādījumus.

Drošības norādījumi, rīkojoties ar degvielu



BRĪDINĀJUMS: Pirms izstrādājuma lietošanas izlasiet tālāk izklāstītos brīdinājumus.

- Nemaisiet neuzpildiet degvielu iekšējās avotu tuvumā.
- Neiedarbiniet izstrādājumu, ja uz tā vai jūsu ķermeņa ir izlijusi degviela vai eļļa.
- Neiedarbiniet izstrādājumu, ja dzinējā ir degvielas sūce. Regulāri pārbaudiet, vai dzinējā nav radusies degvielas sūce.
- Vienmēr esiet piesardzīgs, rīkojoties ar degvielu. Degviela un tās tvaiki ir uzliesmojoši un sprādzienbīstami; tas var izraisīt traumas un nāves gadījumus.
- Neieelpojiet degvielas tvaikus, jo tie var izraisīt savainojumus. Pārlicinieties, vai gaisa plūsma ir pietiekama.
- Nesmēķējiet degvielas vai dzinēja tuvumā.
- Nenovietojiet izstrādājumu vai degvielas tvertni siltu priekšmetu, atklātas liesmas, dzirksteles vai signāllampīnas tuvumā.
- Vienmēr izmantojiet apstiprinātas tvertnes degvielas glabāšanai un transportēšanai.

Norādījumi par drošu apkopi



BRĪDINĀJUMS: Pirms izstrādājuma lietošanas izlasiet tālāk izklāstītos brīdinājumus.

- Pirms tehniskās apkopes un montāžas izslēdziet dzinēju, izņemiet aizdedzes sveici un ļaujiet dzinējam atdzist.
- Ja dzirksteļu uztvērējs ir nosprostots, dzinējs pārāk stipri uzkarst un tiek bojāts.
- Ja dzirksteļu uztvērēja siets bieži aizsērē, iespējams, ir pasliktinājies katalizatora darbība. Lai pārbaudītu slāpētāju, sazinieties ar izplatītāju, kas nodrošina apkopi.

Pūtēja caurules un vadības roktura montāža

Piezīme: Lai caurules un lokano cauruli būtu vieglāk samontēt, ieelļojiet tās.

1. Pievienojiet lokano cauruli (A) caurules izliektajai daļai un caurules vadības elementam (B) ar skavām (C) un (D). (Att. 21)
2. Pievienojiet caurules vadības elementam roktura turētāju (E) Novietojiet roktura turētāju pretī atlokam uz caurules vadības elementa. (Att. 22)
3. Lai vadības rokturis būtu drošā un darbam atbilstošā pozīcijā, noregulējiet tā pozīciju. Pievelciet fiksatoru.
4. Piestipriniet kabeli lokanajai caurulei, izmantojot kabeļa skavu. (Att. 23)

5. Piestipriniet starpcauruli caurules vadības elementam. (Att. 24)
6. Piestipriniet pūtēja uzgali starpcaurulei.

Piezīme: Pūtēja uzgali var pievienot tikai pie starpcaurules.

7. Lai panāktu lielāku gaisa plūsmas ātrumu, piestipriniet pūtēja uzgalim liela ātruma sprauslu.

Lietošana

Ievads



BRĪDINĀJUMS: Pirms produkta lietošanas izlasiet un izprotiet drošības norādījumus.

Degviela

Šim izstrādājumam ir divtaktu dzinējs.



IEVĒROJIET: Nepareiza veida degviela var sabojāt dzinēju. Izmantojiet benzīna un divtaktu dzinēja eļļas maisījumu.

Iepriekš sajaukta degviela

- Lai uzlabotu veiktspēju un pagarinātu motora darbību, izmantojiet Husqvarna iepriekš sajauktu alkilātu degvielu. Šī degviela satur mazāk ķīmisku vielu, salīdzinot ar parasto degvielu, tādējādi tiek samazināts kaitīgo izplūdes gāzu apjoms. Izmantojot šo degvielu, atliekvielu līmenis pēc sadegšanas ir zemāks, kas saglabā tīrus motora komponentus.

Degvielas sajaukšana

Benzīns

- Izmantojiet labas kvalitātes bezsvina benzīnu ar maksimālo etanola saturu 10%.



IEVĒROJIET: Neizmantojiet benzīnu, kura oktānskaitlis ir mazāks nekā 90 RON/87 AKI. Degviela ar zemāku oktānskaitli var radīt motora kļūmes, kas savukārt rada motora bojājumus.

Divtaktu eļļa

- Lai uzlabotu rezultātus un veiktspēju, izmantojiet Husqvarna divtaktu dzinēja eļļu.
- Ja Husqvarna divtaktu dzinēja eļļa nav pieejama, izmantojiet kvalitatīvu divtaktu dzinēju eļļu, kas paredzēta motoriem ar gaisa dzesēšanu. Lai

izvēlēto pareizu eļļu, sazinieties ar vietējo apkopes sniedzēju.



IEVĒROJIET: Nelietojiet divtaktu dzinēja eļļu, kas paredzēta ar ūdeni dzesējamiem piekarināmiem dzinējiem; šādu eļļu dēvē arī par piekarināmu dzinēju eļļu. Nelietojiet četrtaktu dzinējiem paredzētu eļļu.

Benzīna un divtaktu dzinēja eļļas sagatavošana

Benzīns, litri	Divtaktu dzinēja eļļa, litri
	2% (50:1)
5	0,10
10	0,20
15	0,30
20	0,40



IEVĒROJIET: Samaisot mazu degvielas daudzumu, nelielas kļūdas var būtiski ietekmēt maisījuma attiecību. Rūpīgi nomēriet eļļas daudzumu un pārbaudiet, vai tiek iegūts pareizs maisījums.

(Att. 25)

1. Iepildiet pusi benzīna daudzuma tīrā degvielas tvertnē.
2. Pievienojiet visu daudzumu eļļas.
3. Sakratiet degvielas maisījumu.
4. Pievienojiet tvertnē pārējo benzīna daudzumu.
5. Rūpīgi sakratiet degvielas maisījumu.



IEVĒROJIET: Vienā reizē sajauciet degvielu, lai tās pietiek tikai 1 mēnesim.

Degvielas tvertnes uzpilde



BRĪDINĀJUMS: Drošības nolūkā ievērojiet tālāk norādīto procedūru.

1. Apturiet dzinēja darbību un ļaujiet tam atdzist.
2. Safīriet ap degvielas tvertnes vāciņu. (Att. 26)
3. Sakratiet tvertni un pārbaudiet, vai degviela ir pilnībā sajaukusies ar eļļu.
4. Degvielas tvertnes vāciņu atveriet lēnām, lai samazinātu spiedienu.
5. Uzpildiet degvielas tvertni.



IEVĒROJIET: Pārliecinieties, ka degvielas tvertnē nav pārāk daudz degvielas. Uzkarstot degviela izplešas.

6. Rūpīgi pievelciet degvielas tvertnes vāciņu.
7. Notīriet degvielu, kas izlijusi uz izstrādājuma un ap to.
8. Pirms izstrādājuma iedarbināšanas pārvietojiet to vismaz 3 m/10 pēdu attālumā no degvielas uzpildīšanas vietas un degvielas avota.

Piezīme: Informāciju par to, kur atrodas konkrētā izstrādājuma degvielas tvertne, sk. *Izstrādājuma pārskats lpp. 192.*

Auksta dzinēja iedarbināšana



BRĪDINĀJUMS: Gaisis tiek izlaists, tiklīdz motors ir iedarbināts, pat, ja darbojas tukšgaitā. Nevieni nedrīkst atrasties pūtēja vai pūtēja caurules tuvumā.

1. Ja dzinējs ir auksts, iestatiet gaisa vārsta vadības ierīci (A) tā, lai gaisa vārsts būtu aizvērtā pozīcijā. Skatiet: *Simboli uz izstrādājuma lpp. 192.* (Att. 27)
2. Atkārtoti spiediet gaisa izspiešanas pūslīti (B) vismaz 10 reizes, līdz degviela sāk piepildīt atgaisošanas sūkņa pūslīti. Atgaisošanas sūkņa balons nav obligāti jāuzpilda līdz galam.
3. Pārslēdziet droseles vadības ierīci ātras tukšgaitas pozīcijā. Salāgojiet droseles vadības sviras norāžu atzīmes ar vadības rokturi. (Att. 28)
4. Novietojiet izstrādājumu zemē (līdzienā vietā).
5. Turiet izstrādājumu ar kreiso roku un nolieciet pēdu uz kājas plāksnes. (Att. 29)
6. Ar labo roku lēni velciet startera auklas rokturi, līdz ir jūtama pretestība.

Piezīme: Neizvelciet startera auklas rokturi līdz galam un neatļaidiet to.

7. Ar labo roku strauji pavelciet startera auklas rokturi ne vairāk kā 6 reizes, līdz dzinējs iedarbojas vai notiek iedarbošanās mēģinājums. Ja dzinējs iedarbojas, pakāpeniski virziet gaisa vārsta sviru līdz atvērtai pozīcijai un pārejiet uz 11. darbību. Ja dzinēju nevar iedarbināt, pārejiet uz 9. darbību.
8. Ja notiek dzinēja iedarbošanās mēģinājums, pakāpeniski virziet gaisa vārsta sviru līdz atvērtai pozīcijai.
9. Ar labo roku strauji pavelciet startera auklas rokturi ne vairāk kā 6 reizes, līdz dzinējs iedarbojas



Piezīme: Ja dzinēju nevar iedarbināt, atkārtojiet iedarbināšanas darbības, kas norādītas 1. darbībā.

10. Ļaujiet dzinējam darboties 30 sekundes.
11. Novietojiet droseles vadības ierīci tukšgaitas stāvoklī. (Att. 30)
12. Nospiediet droseles mēlīti, lai regulētu pūtēja ātrumu. Skatiet: *Droseles mēlītes lietošana lpp. 197.*

Silta dzinēja iedarbināšana

- Ja apkārtējās vides temperatūra ir zemāka par 32 °C/90 °F, iedarbināšanai izmantojiet tādu pašu procedūru, kā darbā ar *Auksta dzinēja iedarbināšana lpp. 197*, bet nenovietojiet gaisa vārsta vadības ierīci slēgtā pozīcijā.
- Ja apkārtējās vides temperatūra ir zemāka par 32 °C/90 °F, iedarbināšanai izmantojiet tādu pašu procedūru, kā *Auksta dzinēja iedarbināšana lpp. 197*.

Droseles mēlītes lietošana

- Lai lietošanas laikā palielinātu pūtēja ātrumu, nospiediet droseles mēlīti, līdz tiek panākts atbilstošais ātrums. (Att. 31)
- Lai lietošanas laikā samazinātu pūtēja ātrumu, atlaidiet droseles mēlīti, līdz tiek panākts atbilstošais ātrums.

Dzinēja iedarbināšana, kad degviela ir pārāk karsta

Ja zāģis nesāk darboties, degviela var būt pārāk karsta.

Piezīme: Siltā laikā vienmēr lietojiet jaunu degvielu un samaziniet darba laiku.

1. Novietojiet zāģi vēsā vietā, neturiet to saules gaismā.
2. Ļaujiet zāģim atdzist vismaz 20 minūtes.
3. 10–15 sekundes atkārtoti nospiediet atgaisošanas sūkņa pūslīti.
4. Izpildiet auksta dzinēja iedarbināšanas darbības. Skatiet šeit: *Auksta dzinēja iedarbināšana lpp. 197.*

Izstrādājuma darbināšana

- Izmantojiet izstrādājumu parastajā darba laikā. Ievērojiet vietējos noteikumus.
- Izmantojiet minimālu aprīkojuma daudzumu un izvēlieties veicamajam darbam atbilstošu ātrumu. Lai novērstu nevajadzīgi lielu troksni un putekļus, izmantojiet zemāko iespējamo droseles pozīciju.
- Turiet pūtēja uzgali tuvu pie zemes.

Piezīme: Husqvarna iesaka izmantot maksimālo pūtēja uzgala garumu.

- Nosakiet vēja virzienu un izmantojiet izstrādājumu tā, lai pūšanas virziens atbilstu vēja virzienam.
- Lai atbrīvotu zemei pieķērušos materiālus, izmantojiet atbilstošus dārza darbarīkus.
- Putekļainās vietās darba veikšanas vietas samitrināšanai izmantojiet izsmidzinātāju. Tādējādi tiks samazināts izstrādājuma izmantošanas laiks.
- Kad izstrādājums netiek izmantots, glabājiet to vertikālā stāvoklī.

Lai apturētu ierīci



IEVĒROJIET: Neizslēdziet izstrādājumu, kad tas darbojas maksimālajā ātrumā.

Apkope

Ievads



BRĪDINĀJUMS: Pirms ķēdes zāģa apkopes veikšanas izlasiet un izprotiet sadaļu par drošības pasākumiem.

Apkopes grafiks

Apkope	Katru dienu	Reizi nedēļā	Reizi mēnesī
Nofīriet ārējās virsmas.	X		
Pārbaudiet, vai pareizi darbojas vadības rokturis.	X		
Pārbaudiet, vai pareizi darbojas ieslēgšanas/izslēgšanas slēdzis. Sk. <i>Start/Stop (ieslēgšanas/izslēgšanas) slēdža pārbaude lpp. 195.</i>	X		
Pārbaudiet, vai dzinējā, degvielas tvertnē un degvielas caurulēs nav noplūdes. Pārbaudiet, vai degvielas filtrs nav aizsērējis. Nomainiet degvielas filtru, ja nepieciešams.	X		
Izīriet gaisa filtru. Nomainiet gaisa filtru, ja nepieciešams.	X		
Pievelciet uzgriežņus un skrūves.	X		
Pārbaudiet gaisa ieplūdes atveri, lai pārļiecinātos, vai tā nav nosprostota.	X		
Pārbaudiet, vai nav bojāts starteris un startera aukla.		X	

- Nospiediet apturēšanas slēdzi. (Att. 32)

Piezīme: Kad izstrādājums ir apturēts, dzirdama klauvējienam līdzīga skaņa. Tā ir tipiska parādība un neliecina par izstrādājuma defektiem.

Uzkabes regulēšana

- Uzlieciet izstrādājuma stiprinājumu siksnas.
- Aplieciet ap vidukli vidusjostu un nostipriniet vidussiksnas jostas sprādzi. (Att. 33)
- Savelciet vidusjostas siksnu. (Att. 34)
- Pievienojiet krūšu siksnas jostas sprādzi. (Att. 35)
- Regulējiet krūšu siksnas pozīciju (Att. 36)
- Nostipriniet krūšu siksnu. (Att. 37)
- Savelciet plecu siksnas, līdz izstrādājums atrodas cieši pie jūsu ķermeņa. (Att. 38)
- Savelciet kravas pacelēja siksnas. (Att. 39)

Apkope	Katru dienu	Reizi nedēļā	Reizi mēnesī
Pārbaudiet, vai vibrāciju slāpēšanas elementi nav bojāti, saplaisājuši vai deformējušies. Pārbaudiet, vai vibrāciju slāpēšanas elementi ir pareizi pievienoti.		X	
Pārbaudiet aizdedzes sveci. Sk. <i>Aizdedzes sveces pārbaude lpp. 199.</i>		X	
Iztīriet dzesēšanas sistēmu.		X	
Notīriet karburatora ārējo virsmu un ap to esošo laukumu.		X	
Iztīriet degvielas tvertni.			X
Pārbaudiet visus kabelus un savienojumus.			X
Pārbaudiet un iztīriet slāpētāja dzirksteļu uztvērējsietu (izstrādājumiem bez katalizatora).		X	
Pārbaudiet un iztīriet slāpētāja dzirksteļu uztvērējsietu (izstrādājumiem ar katalizatoru).			X
Pārbaudiet aizdedzes sveci. Ja nepieciešams, nomainiet.			X

Tukšgaitas apgriezienu skaita regulēšana

1. Pārbaudiet gaisa filtra tīrību un pārliecinieties, vai ir uzlikts gaisa filtra vāciņš.
2. Izmantojot tukšgaitas regulēšanas skrūvi, noregulējiet tukšgaitas apgriezienu skaitu. Informāciju par to, kur atrodas konkrētā izstrādājuma tukšgaitas regulēšanas skrūve, sk. *Izstrādājuma pārskats lpp. 192.*

Aizdedzes sveces pārbaude



IEVĒROJIET: Izmantojiet ieteikto aizdedzes sveces tipu. Sk. *Tehniskie dati lpp. 202.* Nepareiza aizdedzes svece var radīt izstrādājuma bojājumus.

1. Izslēdziet dzinēju un ļaujiet izstrādājumam atdzist.
2. Ja aizdedzes svece ir netīra, notīriet to.
3. Pārbaudiet, vai attālums starp aizdedzes sveces elektrodiem ir pareizs. Sk. *Tehniskie dati lpp. 202.* (Att. 40)
4. Nomainiet aizdedzes sveci reizi mēnesī vai biežāk, ja nepieciešams.

Slāpētāja apkope



IEVĒROJIET: Ja dzirksteļu uztvērēja siets bieži aizsērē, iespējams, ir pasliktinājusies katalizatora darbība. Lai pārbaudītu slāpētāju, sazinieties ar izplatītāju, kas nodrošina apkopi. Aizsērējis dzirksteļu uztvērēja siets izraisa pārkaršanu, kas savukārt rada cilindra un virzuļa bojājumus.



IEVĒROJIET: Ja dzirksteļu uztvērēja siets ir bojāts, tas jānomaina. Nelietojiet izstrādājumu, ja trūkst dzirksteļu uztvērēja sieta vai tas ir bojāts.

- Iztīriet trokšņa slāpētāja dzirksteļu uztvērēja režģi. Izmantojiet stieplu birsti. (Att. 41)
- Pēc 50 darba stundām izplatītājam, kas nodrošina apkopi, ir jānomaina slāpētājs un dzirksteļu uztvērēja siets vai arī jāveic tā apkope.

Dzesēšanas sistēmas pārbaude un tīršana

Dzesēšana sistēmu veido cilindra dzeses ribas un gaisa ieplūdes sietfiltrs.

1. Apturiet dzinēju.
2. Pārliecinieties, vai dzesēšanas sistēma nav netīra vai aizsērējusi. Ja nepieciešams, iztīriet gaisa ieplūdes sietfiltru un dzeses ribas.



IEVĒROJIET: Netīra vai aizsērējusi dzesēšanas sistēma var paaugstināt dzinēja temperatūru un radīt izstrādājuma bojājumus. Aizsērējis gaisa ieplūdes sietfiltrs samazina plūsmas jaudu.

3. Pārbaudiet, vai dzesēšanas sistēma nav bojāta. Pārliecinieties, vai daļas ir pareizi pievienotas izstrādājumam.

Gaisa filtra tīršana



IEVĒROJIET: Neizmantojiet izstrādājumu bez gaisa filtra vai ar bojātu

gaisa filtru. Putekljains gaiss var izraisīt dzinēja bojājumus.

1. Iestatiet gaisa vārsta vadības slēdzi tā, lai gaisa vārsts būtu slēgtā pozīcijā.
2. Noņemiet gaisa filtra vāku (A).
3. Noņemiet priekšfiltru (B) no gaisa filtra pārsega. (Att. 42)
4. Izņemiet gaisa filtru (C) no filtra ietvara.
5. Noīriiet priekšfiltru un gaisa filtru ar siltu ūdeni un ziepēm.

Piezīme: Gaisa filtru, kas ir izmantots ilgu laiku, nevar pilnībā izīriēt. Mainiet gaisa filtru regulāri un vienmēr nomainiet bojātu gaisa filtru.

6. Ar suku noīriiet gaisa filtra vāku (A) iekšējo virsmu.
7. Ievietojiet gaisa filtru (B) filtra ietvarā.
8. Uzstādiiet priekšfiltru uz gaisa filtra pārsega.
9. Pievienojiet izstrādājumam gaisa filtra vāku.

Problēmu novēršana

Nevar iedarbināt dzinēju		
Kas jāpārbauda	Iespējamais iemesls	Risinājums
Startera aizturi.	Nosprostots vai nolietots startera aizturi.	Noregulējiēt vai nomainiet startera aizturi(us).
		Noīriiet vietu ap aizturi(iem).
		Sazinieties ar apstiprinātu izplatītāju, kas nodrošina apkopi.
Degvielas tvertne.	Nepiemērots degvielas tips.	Iztukšojiēt degvielas tvertni un lietojiēt piemērotu degvielu.
Karburators.	Tukšgaitas apgriezienu skaita regulēšana.	Regulējiēt tukšgaitas apgriezienu skaitu ar tukšgaitas regulēšanas skrūvi.
Aizdedze (nav dzirksteles).	Aizdedzes svece ir netīra vai mitra.	Pārbaudiēt, vai aizdedzes svece ir sausa un tīra.
		Attālums starp aizdedzes sveces elektrodiem nav pareizs.
	Attālums starp aizdedzes sveces elektrodiem nav pareizs.	Noīriiet aizdedzes sveci. Pārbaudiēt, vai attālums starp aizdedzes sveces elektrodiem ir pareizs. Informāciju par pareizu attālumu starp elektrodiem skatiēt tehnisko datu sadaļā.
Aizdedzes svece.	Aizdedzes svece ir vaļīga.	Pievelciēt aizdedzes sveci.
	Uz aizdedzes sveces elektrodiem ir netīrumi.	Pārlieciinieties, vai degvielas maisījums ir atbilstošs. Pārlieciinieties, vai gaisa filtrs ir tīrs.

Dzinējs sāk darboties, taču tad apstājas		
Kas jāpārbauda	Iespējamais iemesls	Risinājums
Degvielas tvertne.	Nepiemērots degvielas tips.	Iztukšojiet degvielas tvertni un lietojiet piemērotu degvielu.
Karburators.	Tukšgaitā dzinējs nedarbojas pareizi.	Sazinieties ar vietējo apkopes sniedzēju.
Gaisa filtrs.	Aizsērējis gaisa filtrs.	Iztīriet gaisa filtru.

Pārvadāšana un uzglabāšana

Pārvadāšana un uzglabāšana



BRĪDINĀJUMS: Lai novērstu aizdegšanās risku, pārbaudiet, vai transportēšanas un glabāšanas laikā nav noplūžu vai tvaiku. Gādājiet, lai nerastos dzirksteļošanas vai aizdegšanās risks.

- Pirms transportēšanas vai ilgstošas uzglabāšanas iztukšojiet degvielas tvertni. Saspiediet atgaisošanas sūkņa balonu, lai pārliecinātos, vai ir iztukšota visa degviela. Utilizējiet degvielu atbilstošā utilizēšanas vietā.
- Pirms novietojat izstrādājumu ilgstošai glabāšanai, pārliecinieties, vai izstrādājums ir fīrs un tam ir veikta pilna apkope.
- Izņemiet aizdedzes svenci un ielejiet cilindrā aptuveni 15 ml divtaktu dzinēja eļļas. Apgrieziet izstrādājumu otrādi 3 reizes un atkal ielieciet aizdedzes svenci.
- Transportēšanas laikā droši nostipriniet izstrādājumu transportlīdzeklī.
- Glabājiet izstrādājumu sausā, vēsā, tīrā vietā un labi ventilētā vietā. Nodrošiniet, lai bērni nevarētu piekļūt izstrādājumam.

Tehniskie dati

Tehniskie dati

	Husqvarna 345BT (BP152HV)
Dzinējs	
Cilindra darba tilpums, cm ³	51,7
Tukšgaitas apgriezienu skaits, apgr./min	2800
Katalizators	Jā
Aizdedzes sistēma	
Aizdedzes svece	NGK BPMR7A/Champion RCJ6Y
Attālums starp elektrodiem, mm	0,6–0,7
Aizdedzes sveces griezes moments, Nm	25–30
Degvielas un elļošanas sistēma	
Degvielas tvertnes tilpums, l/cm ³	1,0/1000
Svars	
Svars, bez degvielas, kg	10,0
Trokšņa emisija ⁴⁶	
Skaņas jaudas līmenis, izmērītais dB (A)	110
Skaņas jaudas līmenis, garantētais L _{WA} dB (A)	113
Skaņas līmeņi ⁴⁷	
Ekvivalents skaņas spiediena līmenis pie lietotāja auss mērīts saskaņā ar standartu EN15503 dB(A):.	
Aprīkots ar pūtēja uzgali (oriģinālo)	101
Vibrācijas līmeņi ⁴⁸	
Ekvivalenti vibrācijas līmeņi (a _{hv, eq}) pie rokturiem mērīti saskaņā ar standartu EN 15503, m/s ²	6,1
Ventilatora darbība	
Maks. gaisa ātrums ar liela ātruma sprauslu, m/s	98,3
Gaisa plūsma bez liela ātruma sprauslas, m ³ /min	13,9

⁴⁶ Atbilstoši EK direktīvai 2000/14/EK trokšņa emisija apkārtne ir mērīta kā akustiskā jauda (L_{WA}). Novērotais ierīces skaņas jaudas līmenis ir izmērīts ar pievienotu oriģinālo griešanas ierīci, kas rada augstāko līmeni. Atšķirība starp garantēto un izmērīto skaņas jaudas līmeni ir tāda, ka garantētā skaņas intensitātes līmeņa mērījumu rezultāts ietver arī izkliedi mērījuma rezultātā un atšķirības dažādām tā paša modeļa ierīcēm atbilstoši direktīvai 2000/14/EK.

⁴⁷ Sniegtajos datos par skaņas spiediena līmeni tipiskā statistiskā izkliede ir 3,0 dB(A) (standartnovirze).

⁴⁸ Sniegtajos datos par vibrācijas līmeni tipiska statistiskā izkliede ir 1,5 m/s² (standarta novirze).

EK atbilstības deklarācija

EK atbilstības deklarācija

Ar šo mēs, Husqvarna AB, SE 561 82 Huskvarna, ZVIEDRIJĀ, ar pilnu atbildību apliecinām, ka šis izstrādājums:

Pērs Martinsons (Pär Martinsson)

Atbildīgais par tehnisko dokumentāciju



Apraksts	Benzīna pūtējs/sūcējs
Zīmols	Husqvarna
Platforma/tips/modelis	PlatformaBP152HV, kas pārstāv modeli 345BT.
Partija	Sērijas numurs, sākot no 2022. gada.

pilnībā atbilst šādām ES direktīvām un noteikumiem:

Direktīva/regula	Apraksts
2006/42/EC	par mašīnām
2014/30/EU	par elektromagnētisko savietojamību
2000/14/EK	par trokšņa emisiju vidē
2011/65/EU	“noteiktu bīstamu vielu lietošanas ierobežojums”

Ir lietoti šādi saskaņotie standarti un/vai tehniskie dati (specifikācijas): EN ISO 12100:2010, EN 15503:2009+A2, CISPR 12:2007, EN ISO 14982:2009, EN IEC 63000:2018, EN IEC 63000:2018

Saskaņā ar direktīvas 2000/14/EK V pielikumu deklarētie skaņas līmeņi ir norādīti šīs rokasgrāmatas tehnisko datu sadaļā.

TÜV Rheinland veica brīvprātīgu pārbaudi Husqvarna AB vārdā, izsniedzot atbilstības sertifikātu AM 50391742 saskaņā ar EK Padomes direktīvu 2006/42/EK par mašīnām.

Šis sertifikāts ir derīgs visām ražotnēm un izcelsmes valstīm, kas norādītas uz izstrādājuma.

Piegādātais benzīna pūtējs/sūcējs atbilst paraugam, kas tika pārbaudīts.

Husqvarna AB vārdā, SE-561 82 Huskvarna, ZVIEDRIJĀ,

Inhoud

Inleiding.....	204	Probleemoplossing.....	212
Veiligheid.....	205	Transport en opslag.....	213
Montage.....	208	Technische gegevens.....	214
Werking.....	208	EG verklaring van overeenstemming.....	215
Onderhoud.....	210		

Inleiding

Productbeschrijving

Deze machine is een ruggedragen bladblazer met een brandstofmotor.

Husqvarna AB werkt voortdurend aan het verder ontwikkelen van haar producten en behoudt zich dan ook het recht voor om zonder aankondiging vooraf wijzigingen in o.a. vorm en uiterlijk door te voeren.

Productoverzicht

(Fig. 1)

1. Gashendel
2. Frame
3. Draagstel
4. Motorkap
5. Ventilatorkap
6. Luchtinlaatrooster
7. Luchtfilter
8. Startkoordgreep
9. Brandstoftank
10. Heupgordel
11. Bougie
12. Trillingdempingssysteem
13. Chokehendel
14. Bedieningshendel
15. Stopschakelaar met gashendel
16. Gashendel
17. Pijphoek
18. Klemmenheid
19. Flexibele slang
20. Regelpijp
21. Kabelklem
22. Tussenpijp
23. Blaasmondstuk
24. Bedieningshandleiding
25. Ring-steeksleutel
26. Primerbalg van brandstofpomp
27. Hogesnelheidsmondstuk
28. Stelschroef voor stationair draaien
29. Ventilator
30. Voetplaat

Gebruik

Gebruik het product voor het wegblazen van bladeren en ander ongewenst materiaal van bijvoorbeeld gazons, voetpaden en asfaltwegen.

Symbolen op het product

- (Fig. 2) **WAARSCHUWING!** Dit product kan gevaarlijk zijn en ernstig of fataal letsel toebrengen aan de gebruiker of anderen. Wees voorzichtig en gebruik het product op de juiste manier.
- (Fig. 3) Lees de bedieningshandleiding zorgvuldig door en zorg dat u de instructies hebt begrepen voordat u het product gebruikt.
- (Fig. 4) Gebruik goedgekeurde gehoorbescherming en oogbescherming. Als de omgeving stof bevat, gebruik dan een stofmasker.
- (Fig. 5) Draag goedgekeurde veiligheidshandschoenen tijdens gebruik en onderhoud. Gebruik beschermende laarzen of schoenen met antislipzolen. Gebruik kleding van sterke stof en van volledige lengte.
- (Fig. 6) Zorg ervoor dat lang haar tot boven uw schouders wordt samengebonden.
- (Fig. 7) Draag geen sieraden of losse kleding tijdens gebruik.
- (Fig. 8) Mengsel van benzine en tweetaktolie.
- (Fig. 9) Primerbalg van brandstofpomp.
- (Fig. 10) Houd alle lichaamsdelen uit de buurt van hete oppervlakken.

- (Fig. 11) Kom niet in de buurt van de rotor als deze draait.
- (Fig. 12) Choke, geopende stand.
- (Fig. 13) Choke, gesloten stand.
- (Fig. 14) Stelschroef voor stationair draaien.
- (Fig. 15) Dit product voldoet aan de geldende EU-richtlijnen.
- (Fig. 16) Dit product voldoet aan de geldende VK-regelgeving.
- (Fig. 17) Geluidsemissies naar de omgeving volgens de Europese richtlijn 2000/14/EG en de wetgeving van Nieuw-Zuid-Wales "Protection of the Environment Operations (Noise Control) Regulation 2017". De geluidsemissiegegevens vindt u op het machinelabel en in het hoofdstuk Technische gegevens.

Kijk uit voor wegslingerende objecten. Wegslingerende objecten kunnen ernstig letsel veroorzaken. Maak altijd gebruik van persoonlijke beschermingsmiddelen.

(Fig. 18)

(Fig. 19)

yyyywwxxxx

Houd een veiligheidsafstand aan van minimaal 15 m tot andere personen of dieren.

Het serienummer staat op het productplaatje of de lasserdruk. **yyyy** is het productiejaar en **ww** is de productieweek.

Let op: Andere symbolen/stickers op het product hebben betrekking op certificeringseisen voor overige commerciële markten.

Productaansprakelijkheid

Zoals uiteengezet in de wet voor productaansprakelijkheid zijn wij niet aansprakelijk voor schade die door ons product wordt veroorzaakt, indien:

- het product niet goed is gerepareerd.
- het product is gerepareerd met onderdelen die niet van de fabrikant afkomstig zijn, of onderdelen die niet zijn goedgekeurd door de fabrikant.
- het product een accessoire bevat dat niet afkomstig is van de fabrikant of niet is goedgekeurd door de fabrikant.
- het product niet is gerepareerd door een erkend servicepunt of door een erkende autoriteit.

Veiligheid

Veiligheidsdefinities

De onderstaande definities geven de mate van ernst weer voor elk trefwoord.



WAARSCHUWING: Letsel aan personen.



OPGELET: Schade aan het product.

Let op: Deze informatie maakt het product eenvoudiger in gebruik.

Algemene veiligheidsinstructies



WAARSCHUWING: Lees de volgende waarschuwingen voordat u het product gaat gebruiken.

- Breng geen wijzigingen aan in het product zonder toestemming van de fabrikant en gebruik altijd originele accessoires. Niet goedgekeurde wijzigingen en/of niet-originele onderdelen kunnen tot ernstig letsel of de dood van zowel gebruiker als omstanders leiden.
- Gebruik nooit een beschadigd product. Voer de in deze bedieningshandleiding beschreven veiligheidscontroles en onderhoudstaken uit. Alle overige onderhoudswerkzaamheden moeten worden uitgevoerd door erkend onderhoudspersoneel.
- Alle onderhoudswerkzaamheden en reparaties moeten worden uitgevoerd door erkend onderhoudspersoneel. Als een onderdeel van het product defect is, neem dan contact op met uw servicedealer.

Trillingsveiligheid

Dit product is alleen bedoeld voor incidenteel gebruik. Het voortdurend of regelmatig bedienen van het product kan zorgen voor "witte vingers" of dergelijke medische problemen als gevolg van trillingen. Houd de toestand van uw handen en vingers in de gaten als u het product voortdurend of regelmatig gebruikt. Als uw handen of

vingers verkleuren, pijn doen, tintelen of doof aanvoelen, stop dan met werken en raadpleeg onmiddellijk een arts.

Veiligheidsinstructies voor bediening



WAARSCHUWING: Lees de volgende waarschuwingen voordat u het product gaat gebruiken.

- Dit product kan gevaarlijk zijn en ernstig of fataal letsel toebrengen aan de gebruiker of anderen. Wees voorzichtig en gebruik het product op de juiste manier.
- Controleer het product vóór gebruik. Zie *Onderhoud op pagina 210*.
- Gebruik het product niet wanneer u vermoeid of ziek bent, of alcohol of drugs hebt gebruikt waardoor uw gezichts-, beoordelings- of coördinatievermogen wordt aangetast.
- Breng vóór gebruik alle afdekkingen en afschermingen aan. Verzeker u ervan dat de bougiepod en ontstekingskabel onbeschadigd zijn om het risico van een elektrische schok te voorkomen.
- Raak de bougie of de ontstekingskabel niet aan terwijl de motor loopt.
- Houd een veiligheidsafstand aan van minimaal 15 m tot andere personen of dieren. Stop het product als personen, kinderen of dieren dichterbij komen dan 15 meter. Richt het product niet op personen, dieren, open ramen of andere voorwerpen.
- Laat het product niet door kinderen bedienen. Zorg ervoor dat alle gebruikers deze bedieningshandleiding lezen en begrijpen.
- Houd tijdens het werk handen en andere voorwerpen uit de buurt van de behuizing van de bladblazer. Roterende onderdelen kunnen ernstig letsel veroorzaken.
- Gebruik het product niet als het luchtinlaatrooster niet is gemonteerd. Zorg er vóór gebruik altijd voor dat het luchtinlaatrooster is gemonteerd en niet is beschadigd.
- Als zich een noodsituatie voordoet, maakt u de heupgordel en de borstgordel van het harnas los en laat u het product vallen.
- Houd u aan de nationale voorschriften en richtlijnen.
- Houd alle lichaamsdelen uit de buurt van hete oppervlakken.
- Door te veel trillingen kan de circulatie of het zenuwstelsel beschadigd raken. Neem contact op met uw arts als u symptomen hebt, zoals gevoelloosheid, verlies van gevoel, tintelingen, een prikkelend gevoel, pijn, krachtverlies of veranderingen in de huidskleur in uw vingers, handen of polsen.
- Kijk uit voor wegslingerende objecten. Wegslingerende objecten kunnen ernstig letsel veroorzaken.

- Gebruik het product niet bij slecht weer, zoals mist, regen, harde wind en hevige kou. Werken bij slecht weer kan leiden tot vermoeidheid en gevaarlijke omstandigheden.
- Zorg dat u vrij kunt bewegen en in een stabiele houding kunt werken. Controleer het werkgebied op mogelijke obstakels, zoals stenen. Wees voorzichtig wanneer u het product op een helling bedient.
- Plaats het product niet met een draaiende motor op de grond.
- Gebruik dit product niet op hoogte, zoals op een ladder.
- Zorg ervoor dat u altijd kunt worden gehoord als er een ongeval plaatsvindt.
- Controleer of de uitlaat voor uitlaatgassen niet is geblokkeerd. Om schade aan het product te voorkomen, moet u obstakels op een afstand van ten minste 50 cm vanaf de uitlaat voor uitlaatgassen houden.
- Start het product niet binnenshuis, bij een slechte luchtstroom of in de buurt van licht ontvlambaar materiaal. De uitlaatgassen van de motor bevatten koolmonoxide, dat koolmonoxidevergiftiging kan veroorzaken. De uitlaatgassen van de motor zijn heet en kunnen vonken veroorzaken die tot brand kunnen leiden.

Persoonlijke beschermingsuitrusting



WAARSCHUWING: Lees de volgende waarschuwingen voordat u het product gaat gebruiken.

- Draag tijdens het gebruik van het product altijd goedgekeurde persoonlijke beschermingsmiddelen. Persoonlijke beschermingsuitrusting kunnen niet alle risico's uitsluiten maar kunnen de ernst van eventueel letsel helpen beperken. Neem voor meer informatie contact op met uw dealer.
- Gebruik goedgekeurde gehoorbescherming. Langdurige blootstelling aan lawaai kan leiden tot permanente gehoorbeschadiging.
- Gebruik goedgekeurde oogbescherming. Als u een vizier gebruikt, moet u ook een goedgekeurde veiligheidsbril gebruiken. Een goedgekeurde veiligheidsbril moet voldoen aan de norm ANSI Z87.1 voor de VS of EN 166 voor de EU-landen.
- Draag veiligheidshandschoenen tijdens gebruik en onderhoud.
- Gebruik beschermende laarzen of schoenen met antislipzolen.
- Gebruik kleding van sterke stof en van volledige lengte. Gebruik geen sieraden of open schoenen. Om het risico op letsel te verminderen, moet u nauwsluitende kleding dragen, maar mag deze uw bewegingen niet beperken. Bind uw haar samen tot boven schouderlengte om te voorkomen dat uw haar in draaiende onderdelen terechtkomt of op takken vast komt te zitten.

- Gebruik ademhalingsbescherming wanneer het risico van het vrijkomen van stof bestaat.
- Houd de EHBO-doos in de buurt.

Veiligheidsvoorzieningen op het product



WAARSCHUWING: Lees de volgende waarschuwingen voordat u het product gaat gebruiken.

- Gebruik het product nooit wanneer de veiligheidsvoorzieningen defect zijn.
- Controleer de veiligheidsvoorzieningen regelmatig op een juiste werking. Zie *Onderhoud op pagina 210*.
- Als de veiligheidsvoorzieningen defect zijn, neem dan contact op met uw Husqvarna servicedealer.

Geluidemper controleren



WAARSCHUWING: Gebruik geen product met een defecte geluidemper.



WAARSCHUWING: De demper wordt zeer heet tijdens en na gebruik, ook bij stationair toerental. Gebruik beschermende handschoenen om brandwonden te voorkomen.



WAARSCHUWING: De binnenkant van de geluidemper bevat chemicaliën die kankerverwekkend kunnen zijn. Raak de geluidemper niet aan indien deze is beschadigd.

- Controleer de demper regelmatig visueel. De geluidemper is bedoeld om geluidsniveaus zo laag mogelijk te houden en om de uitlaatgassen weg te voeren van de gebruiker. Zie *Het koelsysteem inspecteren en reinigen op pagina 212*.

Trillingsdempingssysteem controleren

1. Controleer de trillingsdempers op scheuren of vervorming.
2. Controleer of de trillingsdempers op de juiste wijze zijn bevestigd op de motor en de handgreep.

Raadpleeg *Productoverzicht op pagina 204* voor informatie over de locatie van het trillingsdempingssysteem op uw product.

De start/stop-schakelaar controleren

1. Schakel de motor uit met de start/stop-schakelaar.
2. Zorg ervoor dat de motor volledig wordt stopgezet.

Raadpleeg *Productoverzicht op pagina 204* om te zien waar zich op uw product de start/stop-schakelaar bevindt.

Veiligheid van het draagstel

Gebruik altijd het draagstel wanneer u het product gebruikt. Als u het draagstel niet gebruikt, kunt u het product niet veilig bedienen. Dit kan bij uzelf of anderen letsel veroorzaken. Zorg ervoor dat de heupgordel en borstriem zijn bevestigd en correct zijn afgesteld. Een niet-gesloten gordel kan vast komen te zitten in de ventilator van het product.

(Fig. 20)

Brandstofveiligheid



WAARSCHUWING: Lees de volgende waarschuwingen voordat u het product gaat gebruiken.

- Meng en vul brandstof niet binnenshuis bij of in de buurt van een warmtebron.
- Start het product niet als er brandstof of olie op het product of uw lichaam is gemorst.
- Start het product niet als er sprake is van brandstoflekkage. Controleer de motor regelmatig op brandstoflekkage.
- Wees altijd voorzichtig met brandstof. Brandstof is licht ontvlambaar en de brandstofgassen zijn explosief. Deze kunnen ernstig letsel veroorzaken of leiden tot de dood.
- Adem geen brandstofdampen in, dit kan letsel veroorzaken. Zorg voor voldoende ventilatie.
- Rook niet in de buurt van de brandstof of de motor.
- Plaats het product of een jerrycan met brandstof niet in de buurt van warme voorwerpen, open vuur, vonken of waakvlammen.
- Gebruik altijd goedgekeurde containers voor opslag en transport van brandstof.

Veiligheidsinstructies voor onderhoud



WAARSCHUWING: Lees de volgende waarschuwingen voordat u het product gaat gebruiken.

- Zet de motor af, verwijder de bougie en laat de motor afkoelen voordat u onderhouds- en montagewerkzaamheden uitvoert.
- Een verstopt vonkenscherm leidt ertoe dat de motor te heet wordt, waardoor schade aan de motor ontstaat.
- Indien het vonkenscherm vaak verstopt is, kan dit erop duiden dat de werking van de katalysator is afgenomen. Neem contact op met uw servicedealer voor controle van de geluidemper.

Montage

Inleiding



WAARSCHUWING: Zorg dat u het hoofdstuk over veiligheid hebt gelezen en begrepen voordat u het apparaat monteert.

De blaaspijp en regelpijp op het product monteren

Let op: Smeer de leidingen en flexibele slang om deze gemakkelijker te monteren.

1. Bevestig de flexibele slang (A) op de pijphoek en de regelpijp (B) met de klemmen (C) en (D). (Fig. 21)

2. Bevestig de hendelhouder (E) aan de regelpijp. Lijn de hendelhouder uit met de flens op de regelpijp. (Fig. 22)
3. Stel de positie van de bedieningshendel in op een veilige en correcte werkpositie. Draai de knop vast.
4. Bevestig de kabel aan de flexibele slang met de kabelklem. (Fig. 23)
5. Bevestig de tussenpijp aan de regelpijp. (Fig. 24)
6. Bevestig het blaasmondstuk aan de tussenpijp.

Let op: Het blaasmondstuk kan alleen op de tussenpijp worden aangesloten.

7. Voor een hogere luchtsnelheid bevestig u het hogesnelheidsmondstuk aan het blaasmondstuk.

Werking

Inleiding



WAARSCHUWING: Zorg dat u het hoofdstuk over veiligheid hebt gelezen en begrepen voordat u het product gebruikt.

Brandstof

Dit product is uitgerust met een tweetaktmotor.



OPGELET: Een verkeerde soort brandstof kan leiden tot motorschade. Gebruik een mengsel van benzine en tweetaktolie.

Voorgemengde brandstof

- Gebruik voorgemengde Husqvarna-alkylaatroofstof voor optimale prestaties en een lange levensduur van de motor. Deze brandstof bevat minder schadelijke stoffen dan reguliere brandstof waardoor de uitstoot van schadelijke uitlaatgassen wordt beperkt. Bij gebruik van deze brandstof blijven er minder verbrandingsresten in de motor achter waardoor de onderdelen van de motor schoner blijven.

Brandstof mengen

Benzine

- Gebruik hoogwaardige loodvrije benzine met maximaal 10% ethanol (E10).



OPGELET: Gebruik geen benzine met een octaangetal lager dan 90 RON/87 AKI. Een lager octaangetal kan

leiden tot pingelen van de motor wat tot motorschade kan leiden.

Tweetaktolie

- Gebruik voor de beste resultaten en optimale prestaties Husqvarna tweetaktolie.
- Als geen Husqvarna tweetaktolie beschikbaar is, gebruik dan een andere hoogwaardige tweetaktolie voor luchtgekoelde motoren. Bespreek de keuze van de tweetaktolie met uw servicedealer.



OPGELET: Gebruik geen tweetaktolie die bedoeld is voor watergekoelde buitenboordmotoren, zogenaamde outboardoil. Gebruik geen olie die is bedoeld voor viertaktmotoren.

Benzine en tweetaktolie mengen

Benzine, liter	Tweetaktolie, liter
	2% (50:1)
5	0,10
10	0,20
15	0,30
20	0,40



OPGELET: Wanneer u kleine hoeveelheden brandstof mengt, kunnen kleine fouten grote gevolgen hebben voor de mengverhouding. Meet de hoeveelheid

olie nauwkeurig af om het juiste mengsel te verkrijgen.

(Fig. 25)

1. Giet de helft van de benzine in een schone brandstofbestendige houder.
2. Voeg de volledige hoeveelheid olie toe.
3. Schud het brandstofmengsel.
4. Giet de resterende hoeveelheid benzine in de houder.
5. Schud het brandstofmengsel grondig.



OPGELET: Meng maximaal de hoeveelheid brandstof die u nodig hebt voor 1 maand.

Brandstoftank vullen



WAARSCHUWING: Houd u voor uw eigen veiligheid aan de volgende procedure.

1. Stop de motor en laat de motor afkoelen.
2. Maak het gebied rondom de brandstoftankdop goed schoon. (Fig. 26)
3. Schud de container en zorg ervoor dat de brandstof volledig is gemengd.
4. Draai de brandstoftankdop langzaam los om de druk te laten ontsnappen.
5. Vul de brandstoftank.



OPGELET: Zorg dat er niet te veel brandstof in de brandstoftank zit. De brandstof zet uit wanneer deze heet wordt.

6. Draai de tankdop volledig vast.
7. Verwijder gemorste brandstof op en rond het product.
8. Verwijder het product altijd ten minste 3 m uit de buurt van de tankplaats en brandstofbron voordat u het product gaat starten.

Let op: Zie *Productoverzicht op pagina 204* om te zien waar de brandstoftank op uw product is.

Koude motor starten



WAARSCHUWING: Er komt lucht vrij nadat de motor is gestart, ook bij stationair toerental. Laat niemand in de buurt van de blazer of de blaaspip komen.

1. Als de motor koud is, zet u de chokeregeling (A) in de gesloten chokestand. Zie *Symbolen op het product op pagina 204*. (Fig. 27)
2. Druk de primerbalg (B) van de brandstofpomp minimaal 10 keer opnieuw in, totdat de primerbalg wordt gevuld met brandstof. Het is niet nodig de primerbalg volledig te vullen.
3. Zet de gashendel in de stand voor hoog stationair toerental. Lijn de geleidemarkeringen op de gashendel en de bedieningshendel uit. (Fig. 28)
4. Plaats het product op een vlakke ondergrond.
5. Houd het product vast met uw linkerhand en zet uw voet op de voetplaat. (Fig. 29)
6. Trek met uw rechterhand langzaam aan de startkoordhendel totdat u weerstand voelt.

Let op: Trek de startkoordhendel niet helemaal uit tot de maximale positie en laat de startkoordhendel niet los.

7. Trek met uw rechterhand maximaal 6 keer snel aan de startkoordhendel totdat de motor start of probeert te starten. Als de motor start, zet u de chokehendel geleidelijk in de open stand en gaat u verder met stap 11. Als de motor niet start gaat u verder met stap 9.
8. Als de motor probeert te starten, beweegt u de chokehendel langzaam naar de open stand.
9. Trek met uw rechterhand maximaal 6 keer snel aan de startkoordhendel totdat de motor start.



Let op: Als de motor niet start, herhaal dan de startinstructies vanaf stap 1.

10. Laat de motor 30 seconden draaien.
11. Zet de gashendel in de stand voor stationair draaien. (Fig. 30)
12. Druk op de gashendel om het toerental van de blazer aan te passen. Zie *De gashendel gebruiken op pagina 209*.

Warme motor starten

- Als de omgevingstemperatuur lager is dan 32 °C, gebruikt dezelfde startprocedure als *Koude motor starten op pagina 209* maar zet u de chokehendel niet in de gesloten chokestand.
- Als de omgevingstemperatuur hoger is dan 32 °C, gebruikt u dezelfde startprocedure als *Koude motor starten op pagina 209*.

De gashendel gebruiken

- Om het toerental van de blazer tijdens gebruik te verhogen, drukt u op de gashendel tot u het juiste toerental hebt. (Fig. 31)

- Om het toerental van de blazer tijdens gebruik te verlagen, laat u de gashendel los tot u het juiste toerental hebt.

Motor starten als de brandstof te warm is

Als het apparaat niet start, is de brandstof mogelijk te warm.

Let op: Gebruik altijd nieuwe brandstof en verkort de gebruiksduur bij warm weer.

1. Leg het apparaat op een koele plek, uit de buurt van direct zonlicht.
2. Laat het apparaat minimaal 20 minuten afkoelen.
3. Druk het balgje van de brandstofpomp gedurende 10 tot 15 seconden telkens opnieuw in.
4. Volg de procedure voor het starten van een koude motor. Zie *Koude motor starten op pagina 209*.

Het product gebruiken

- Gebruik het product uitsluitend op gebruikelijke werktijden. Volg de plaatselijke regelgeving.
- Verminder het aantal apparaten en selecteer het juiste toerental voor uw taak. Gebruik de gasregeling in de laagst mogelijke stand om meer geluid en stof dan nodig is te voorkomen.
- Houd de blaasmond dicht bij de grond.

Let op: Husqvarna raadt u aan het volledige verlengstuk van de blaasmond te gebruiken.

- Noteer de windrichting en bedien het product in de windrichting.

- Gebruik geschikt tuingereedschap om materiaal van de grond los te maken.
- Maak in gebieden met stof gebruik van spuitapparatuur om het gebied te nat te maken. Dit verkort de bedrijfstijd.
- Bewaar het product na gebruik verticaal.

Product stoppen



OPGELET: Stop het product niet op volle snelheid.

1. Druk op de stopschakelaar. (Fig. 32)

Let op: Wanneer het product stopt, kunt u een kloppend geluid horen. Dit is normaal en duidt niet op een defect product.

Draagstel afstellen

1. Doe het draagstel van het product om.
2. Plaats de heupgordel om uw middel en bevestig de gesp voor de heupgordel. (Fig. 33)
3. Haal de riem van de heupgordel aan. (Fig. 34)
4. Bevestig de gesp voor de borstriem. (Fig. 35)
5. Stel de positie van de borstriem af. (Fig. 36)
6. Zet de borstriem vast. (Fig. 37)
7. Stel de schouderriemen zo af dat het product strak tegen uw lichaam zit. (Fig. 38)
8. Trek de lasthijsriemen aan. (Fig. 39)

Onderhoud

Inleiding



WAARSCHUWING: Zorg dat u het hoofdstuk over veiligheid hebt gelezen en

begrepen voordat u onderhoud aan het product gaat uitvoeren.

Onderhoudsschema

Onderhoud	Elke dag	Wekelijks	Maandelijks
Reinig de externe oppervlakken.	X		
Controleer of de bedieningshendel goed werkt.	X		
Controleer of de start/stopschakelaar correct werkt. Zie <i>De start/stop-schakelaar controleren op pagina 207</i> .	X		

Onderhoud	Elke dag	Wekelijks	Maandelijks
Controleer de motor, de brandstoftank en de brandstofleidingen op lekkages. Controleer het brandstoffilter op verontreiniging. Vervang het brandstoffilter indien nodig.	X		
Maak het luchtfilter schoon. Vervang het luchtfilter indien nodig.	X		
Draai moeren en bouten aan.	X		
Inspecteer de luchtinlaat en controleer of deze niet is geblokkeerd.	X		
Controleer de starter en het startkoord op beschadigingen.		X	
Controleer de trillingsdempers op beschadigingen, scheuren en vervorming. Controleer of de trillingsdempers correct zijn bevestigd.		X	
Controleer de bougie. Zie <i>De bougie controleren op pagina 211</i> .		X	
Reinig het koelsysteem.		X	
Reinig het externe oppervlak van de carburateur en het gebied er omheen.		X	
Reinig de brandstoftank.			X
Controleer alle kabels en aansluitingen.			X
Controleer het vonkenscherm van de geluiddemper en reinig deze (voor producten zonder katalysator).		X	
Controleer en reinig het vonkenscherm op de geluiddemper (voor machines met katalysator).			X
Controleer de bougie. Vervang indien nodig.			X

Stationair toerental afstellen

1. Zorg dat het luchtfilter schoon is en het luchtfilterdeksel gemonteerd is.
2. Stel het stationair toerental af met de schroef voor stationair draaien. Zie *Productoverzicht op pagina 204* om te zien waar zich op de machine de schroef voor stationair draaien bevindt.

De bougie controleren



OPGELET: Gebruik de aanbevolen bougie. Zie *Technische gegevens op pagina 214*. Een onjuiste bougie kan leiden tot schade aan het product.

1. Stop de motor en laat het product afkoelen.
2. Reinig de bougie als deze vuil is.
3. Controleer of de afstand tussen de elektroden juist is. Zie *Technische gegevens op pagina 214*. (Fig. 40)
4. Vervang de bougie maandelijks of vaker indien nodig.

Onderhoud uitvoeren aan de geluiddemper



OPGELET: Indien het vonkenscherm vaak verstopt is, kan dit erop duiden dat de werking van de katalysator is afgenomen. Neem contact op met uw servicedealer voor controle van de geluiddemper. Een verstopt vonkenscherm veroorzaakt oververhitting en dat leidt tot schade aan de cilinder en zuiger.



OPGELET: Een beschadigd vonkenscherm mag nooit worden teruggeplaatst. Gebruik een product niet als het vonkenscherm op de geluiddemper ontbreekt of defect is.

- Reinig het vonkenscherm op de geluiddemper. Gebruik een staalborstel. (Fig. 41)
- Laat de geluiddemper en het vonkenscherm na 50 bedrijfsuren vervangen of onderhouden door een servicedealer.

Het koelsysteem inspecteren en reinigen

Het koelsysteem omvat de koelvinnen op de cilinder en het luchtinlaatrooster.

1. Stop de motor.
2. Zorg ervoor dat het koelsysteem niet vuil of verstopt is. Reinig indien nodig het luchtinlaatrooster en de koelvinnen.



OPGELET: Een vuil of verstopt koelsysteem kan tot gevolg hebben dat de temperatuur van de motor stijgt en het product beschadigd raakt. Een verstopt luchtinlaatrooster vermindert de blaaskracht.

3. Inspecteer het koelsysteem op schade. Zorg ervoor dat de onderdelen correct op het product zijn bevestigd.

Het luchtfilter reinigen



OPGELET: Gebruik het product niet zonder luchtfilter of met een beschadigd

luchtfilter. Stof in de lucht kan schade aan de motor veroorzaken.

1. Duw de chokehendel naar de gesloten stand.
2. Verwijder het luchtfilterdeksel (A).
3. Verwijder het voorfilter (B) van het luchtfilterdeksel. (Fig. 42)
4. Verwijder het luchtfilter (C) uit het filterframe.
5. Reinig het voorfilter en het luchtfilter met warm water en zeep.

Let op: Een luchtfilter dat lange tijd is gebruikt, kan niet volledig worden gereinigd. Vervang het luchtfilter regelmatig en vervang een defect luchtfilter altijd.

6. Reinig het binnenoppervlak van het luchtfilterdeksel (A) met een borstel.
7. Plaats het luchtfilter in het filterframe.
8. Bevestig het voorfilter aan het luchtfilterdeksel.
9. Bevestig het luchtfilterdeksel op het product.

Probleemoplossing

De motor kan niet worden gestart		
Controleren	Mogelijke oorzaak	Oplossing
Starterpallen.	Geblokkeerde of versleten starterpallen.	Verstel of vervang de startpal(len).
		Reinig het gebied rondom de startpal(len).
		Neem contact op met een erkende servicedealer.
Brandstoftank.	Verkeerd type brandstof.	Tap de brandstoftank af en vul deze met de juiste brandstof.
Carburateur.	Afstelling van het stationair toerental.	Stel het stationair toerental af met de stelschroef.
Ontsteking (geen vonk).	Bougie is vies of nat.	Zorg ervoor dat de bougie droog en schoon is.
	De elektrodenafstand op de bougie is niet juist.	Reinig de bougie. Controleer of de afstand tussen de elektroden juist is. Zie de technische gegevens voor de correcte elektrodenafstand.

De motor kan niet worden gestart		
Controleren	Mogelijke oorzaak	Oplossing
Bougie.	Bougie is los.	Draai de bougie vast.
	Er is ongewenst materiaal aanwezig op de elektroden van de bougie.	Zorg dat het brandstofmengsel correct is. Zorg dat het luchtfilter schoon is.

De motor start, maar stopt weer		
Controleren	Mogelijke oorzaak	Oplossing
Brandstoftank.	Verkeerd type brandstof.	Tap de brandstoftank af en vul deze met de juiste brandstof.
Carburateur.	De motor werkt niet naar behoren bij stationair toerental.	Neem contact op met uw servicedealer.
Luchtfilter.	Verstopt luchtfilter.	Maak het luchtfilter schoon.

Transport en opslag

Transport en opslag



WAARSCHUWING: Om brandgevaar te voorkomen, moet u ervoor zorgen dat er geen lekken of dampen zijn tijdens transport of opslag. Zorg ervoor dat er geen risico op vonken of brand bestaat.

- Plaats het product in een droge, koele en schone ruimte met een goede luchtstroom. Houd de machine buiten het bereik van kinderen.
- Leeg de brandstoftank voordat het product wordt vervoerd of gedurende lange tijd wordt opgeslagen. Druk op de primerbalg van de brandstofpomp om ervoor te zorgen dat alle brandstof wordt verwijderd. De brandstof via een geschikte verwijderingslocatie afvoeren.
- Zorg ervoor dat het product schoon is en dat er volledig onderhoud wordt uitgevoerd voordat het product lange tijd wordt opgeborgen.
- Verwijder de bougie en giet ongeveer 15 ml tweetaktolie in de cilinder. Draai het product 3 keer om en breng de bougie opnieuw aan.
- Bevestig het product stevig op het voertuig tijdens vervoer.

Technische gegevens

Technische gegevens

	Husqvarna 345BT (BP152HV)
Motor	
Cilinderinhoud, cm ³	51.7
Stationair toerental, tpm	2800
Katalysator	Ja
Ontstekingsstelsel	
Bougie	NGK BPMR7A/Champion RCJ6Y
Elektrodenafstand, mm	0,6-0,7
Aanhaalmoment bougie, Nm	25-30
Brandstof-/smeersysteem	
Inhoud brandstoftank, l/cm ³	1,0/1000
Gewicht	
Gewicht zonder brandstof, in kg	10,0
Geluidsemissies ⁴⁹	
Geluidsvermogensniveau, gemeten dB(A)	110
Geluidsvermogensniveau, gegarandeerd L _{WA} dB (A)	113
Geluidsniveau ⁵⁰	
Equivalent geluidsdrukniveau bij het oor van de gebruiker, gemeten volgens EN 15503 dB(A):	
Uitgerust met blaasmondstuk (origineel)	101
Trillingsniveau ⁵¹	
Equivalent trillingsniveaus (a _{nv,eq}) bij de handgrepen, gemeten volgens EN 15503, m/s ²	6,1
Ventilatorprestaties	
Max. lichtsnelheid met hogesnelheidsmondstuk, m/s	98,3
Luchtstroom zonder hogesnelheidsmondstuk, m ³ /min	13,9

⁴⁹ Geluidsemissie naar de omgeving gemeten als geluidsvermogen (L_{WA}) volgens EG-richtlijn 2000/14/EG. Het gerapporteerde geluidsvermogensniveau voor de machine is gemeten met de originele snijuitrusting die het hoogste niveau geeft. Het verschil tussen gegarandeerd en gemeten geluidsvermogen is dat het gegarandeerde geluidsvermogen ook spreiding in het meetresultaat omvat en de verschillen tussen de verschillende machines van hetzelfde model conform Richtlijn 2000/14/EG.

⁵⁰ De gerapporteerde gegevens voor het geluidsdrukniveau vertonen een typische statistische spreiding (standaardafwijking) van 3,0 dB (A).

⁵¹ De gerapporteerde gegevens voor een trillingsniveau vertonen een typische statistische spreiding (standaardafwijking) van 1,5 m/s².

EG verklaring van overeenstemming

EG-conformiteitsverklaring

Wij, Husqvarna AB, SE 561 82 Huskvarna, ZWEDEN, verklaren onder onze alleenverantwoordelijkheid dat het gerepresenteerde product:

Beschrijving	Blazer/zuiger met benzine-motor
Merk	Husqvarna
Platform / Type / Model	Platform BP152HV, vertegenwoordigend model 345BT
Partij	Serienummer vanaf 2022 en verder.

volledig voldoet aan de volgende EU-richtlijnen en -regelgeving:

Richtlijn/Verordening	Beschrijving
2006/42/EG	"betreffende machines"
2014/30/EU	"betreffende elektromagnetische compatibiliteit"
2000/14/EG	"betreffende geluid buitenshuis"
2011/65/EU	"beperking van het gebruik van bepaalde gevaarlijke stoffen"

Toegepaste geharmoniseerde normen en/of technische specificaties zijn als volgt: EN ISO 12100:2010, EN 15503:2009+A2, CISPR 12:2007, EN ISO 14982:2009, EN IEC 63000:2018, EN IEC 63000:2018

In overeenstemming met richtlijn 2000/14/EG, bijlage V, staan de verklaarde geluidswaarden vermeld in de sectie met technische gegevens van deze handleiding.

TÜV Rheinland heeft een vrijwillig typeonderzoek uitgevoerd ten behoeve van Husqvarna AB, onder vermelding van AM 50391742 - Certificaat van

overeenstemming met Machinerichtlijn 2006/42/EG van de Europese Raad.

Het certificaat is van toepassing op alle fabriekslocaties en landen van herkomst, zoals vermeld op het product.

De geleverde blazer/zuiger met benzinemotor is conform het geteste exemplaar.

Namens Husqvarna AB, SE-561 82 Huskvarna, ZWEDEN,



Pär Martinsson

Verantwoordelijk voor technische documentatie



INNHold

Innledning.....	216	Feilsøking.....	223
Sikkerhet.....	217	Transport og oppbevaring.....	224
Montering.....	219	Tekniske data.....	225
Drift.....	220	EF-samsvarserklæring.....	226
Vedlikehold.....	222		

Innledning

Produktbeskrivelse

Produktet er en ryggsekkblåser med en drivstoffmotor.

Vi arbeider løpende med å videreutvikle produktene våre og forbeholder oss derfor retten til endringer vedrørende bl.a. form og utseende uten varsel.

Produktoversikt

(Fig. 1)

1. Gassregulator
2. Ramme
3. Sele
4. Motordeksel
5. Viftedeksel
6. Luftinntaksskjerm
7. Luftfilter
8. Startsnorhåndtak
9. Drivstofftank
10. Hoftebelte
11. Tennplugg
12. Avvibreringssystem
13. Chokehendel
14. Regulatorhåndtak
15. Stoppbryter med gassregulator
16. Gassregulator
17. Rørvinkel
18. Klemmemontering
19. Fleksibel slange
20. Manøvreringsrør
21. Kabelklemme
22. Mellomrør
23. Blåsermunnstykke
24. Bruksanvisning
25. Kombinasjonsnøkkel
26. Pumpe (blære)
27. Hurtigdyse
28. Justeringsskrue for tomgang
29. Vifte
30. Fotplate

Bruksområder

Bruk produktet til blåsing av løv og annet uønsket materiale på for eksempel plener, gangveier og asfaltveier.

Symboler på produktet

- (Fig. 2) **ADVARSEL!** Dette produktet kan være farlig og føre til alvorlig personskade eller død for brukeren eller andre. Vær forsiktig, og bruk produktet riktig.
- (Fig. 3) Les nøye gjennom bruksanvisningen, og sørg for at du har forstått instruksjonene før bruk.
- (Fig. 4) Bruk godkjent hørselsvern og godkjent øyevern. Bruk åndedrettsvern hvis omgivelsene er støvete.
- (Fig. 5) Bruk godkjente vernehansker under drift og vedlikehold. Bruk vernestøvler eller -sko med sklisikre såler. Bruk klær i solid stoff og hel lengde.
- (Fig. 6) Sørg for at langt hår settes opp over skuldrene.
- (Fig. 7) Ikke bruk smykker eller løstsittende klær under drift.
- (Fig. 8) Blanding av bensin og totaktstolje.
- (Fig. 9) Pumpe (blære).
- (Fig. 10) Hold alle kroppsdeler unna varme overflater.
- (Fig. 11) Ikke kom i nærheten av løpehullet mens det spinner.
- (Fig. 12) Choke, åpen stilling.

- (Fig. 13) Choke, lukket stilling.
- (Fig. 14) Justeringsskrue for tomgang.
- (Fig. 15) Dette produktet samsvarer med gjeldende EF-direktiver.
- (Fig. 16) Dette produktet samsvarer med gjeldende britiske direktiver.
- (Fig. 17) Støyutslipp til omgivelsene i henhold til EU-direktiv 2000/14/EF og New South Wales-forskriften «Protection of the Environment Operations (Noise Control) Regulation 2017». Du finner informasjon om støyutslipp på maskinetiketten og i kapittelet Tekniske data.

(Fig. 18) Se opp for gjenstander som slynges ut. Gjenstander som slynges ut kan føre til alvorlig skade. Bruk personlig verneutstyr.

(Fig. 19) Hold en sikkerhetsavstand på minst 15 m til personer eller dyr.

yyyywwxxxx

Typeskiltet eller laseravtrykket viser serienummeret. **yyyy** er produktionsåret, og **ww** er produksjonsuken.

Merk: Øvrige symboler/klistremerker angitt på produktet gjelder sertifiseringskrav for andre markeder.

Produktansvar

Som nevnt i lovverket om produktansvar er vi ikke ansvarlig for skader som produktet vårt forårsaker, i følgende tilfeller:

- Produktet er reparert på feil måte.
- Produktet er reparert med deler som ikke kommer fra produsenten eller som ikke er godkjent av produsenten.
- Produktet har et tilbehør som ikke kommer fra produsenten eller som ikke er godkjent av produsenten.
- Produktet er ikke reparert på et godkjent servicesenter eller av en godkjent aktør.

Sikkerhet

Sikkerhetsdefinisjoner

Definisjonene nedenfor angir alvorlighetsgraden for hvert signalord.



ADVARSEL: Skade på personer.



OBS: Skade på produktet.

Merk: Denne informasjonen gjør produktet lettere å bruke.

Generelle sikkerhetsinstruksjoner



ADVARSEL: Les de følgende advarselinstruksjonene før du bruker produktet.

- Ikke utfør endringer på produktet uten godkjenning fra produsenten, og bruk alltid originalt tilbehør. Endringer og/eller tilbehør som ikke er godkjent, kan føre til alvorlig skade eller død for brukeren eller andre.

- Ikke bruk et skadet produkt. Utfør sikkerhetskontroller og vedlikehold som oppgitt i bruksanvisningen. Alt annet vedlikeholdsarbeid må utføres av godkjent servicepersonell.
- Alt av service- og reparasjonsarbeid må utføres av godkjent servicepersonell. Ta kontakt med serviceforhandleren din hvis en del av produktet er defekt.

Vibrasjonssikkerhet

Dette produktet er bare for sporadisk bruk. Kontinuerlig eller regelmessig bruk av produktet kan forårsake syndromet «hvite fingre» eller tilsvarende medisinske problemer fra vibrasjoner. Vær oppmerksom på tilstanden til hendene og fingrene dine hvis du bruker produktet kontinuerlig eller regelmessig. Hvis hendene eller fingrene er misfarget, eller hvis du kjenner smerte, kribling eller nummenhet, må du avbryte arbeidet og umiddelbart ta kontakt med en lege.

Sikkerhetsinstruksjoner for drift



ADVARSEL: Les de følgende advarselinstruksjonene før du bruker produktet.

- Dette produktet kan være farlig og føre til alvorlig personskade eller død for brukeren eller andre. Vær forsiktig, og bruk produktet riktig.

- Utfør en kontroll av produktet før bruk. Se *Vedlikehold på side 222*.
- Ikke bruk dette produktet dersom du er trett eller syk eller under påvirkning av alkohol eller andre rusmidler som kan redusere syn, dømmekraft og motorikk.
- Monter alle deksler og skjermer før bruk. Pass på at tennpluggetten og tenningskabelen ikke er skadet, for å forhindre elektrisk støt.
- Ikke berør tennpluggen eller tenningskabelen når motoren er i gang.
- Hold en sikkerhetsavstand på minst 15 m til personer eller dyr. Stopp produktet dersom personer, barn eller dyr kommer nærmere enn 15 m unna. Pek produktet vekk fra personer, dyr, åpne vinduer og andre objekter.
- Ikke la barn bruke produktet. Påse at alle brukere leser og forstår innholdet i bruksanvisningen.
- Hold hender eller andre gjenstander vekk fra blåserhuset under bruk. De roterende delene kan føre til alvorlig skade
- Ikke bruk produktet hvis luftinntaksskjermen ikke er montert. Påse alltid at luftinntaksskjermen er montert og ikke er skadet før bruk.
- Dersom det oppstår en nødsituasjon skal du åpne hoftebeltet og brystbeltet på selen og la produktet falle.
- Følg nasjonale forskrifter og direktiver.
- Hold alle kroppsdeler unna varme overflater.
- For mye vibrasjoner kan forårsake skader på blodsirkulasjons- eller nervesystemet. Oppsøk lege hvis du har symptomer, for eksempel dovnang, manglende følelse, «kiling», «stikk», smerte, manglende eller redusert styrke, forandringer i hudens farge eller overflate på fingre, hender eller håndledd.
- Se opp for gjenstander som slynges ut. Gjenstander som slynges ut kan føre til alvorlig skade.
- Ikke bruk produktet i dårlig vær, for eksempel tåke, regn, sterk vind eller for kalde omgivelser. Det å utføre arbeid i dårlig vær kan føre til at du blir sliten, og farlige forhold.
- Sørg for at du kan bevege deg og holder en stabil stilling. Kontroller arbeidsområdet for mulige hindringer, for eksempel steiner. Vær forsiktig hvis du bruker produktet i en helling.
- Ikke legg produktet på bakken med motoren på.
- Ikke bruk produktet fra høye stillinger, for eksempel på en stige.
- Pass på at du alltid kan høres dersom det inntreffer en ulykke.
- Påse at eksosgassutløpet ikke er blokkert. Hold hindringer minst 50 cm unna eksosgassutløpet for å forhindre skader på produktet.
- Ikke start produktet innendørs, i dårlig luftstrøm eller i nærheten av brennbare materialer. Motorens avgasser inneholder karbonmonoksid som kan forårsake karbonmonoksidforgiftning. Motorens

avgasser er varme og kan inneholde gnister som kan starte en brann.

Personlig verneutstyr



ADVARSEL: Les de følgende advarslene før du bruker produktet.

- Benytt godkjent verneutstyr når du bruker produktet. Verneutstyr kan aldri fullstendig forhindre skade, men det reduserer skadeomfanget. Kontakt forhandleren for mer informasjon.
- Bruk godkjent hørselsvern. Langvarig eksponering for støv kan gi varige hørselsskader.
- Bruk godkjent øyevern. Ved bruk av visir skal det også brukes godkjente vernebriller. Godkjente vernebriller er slike som tilfredsstiller standard ANSI Z87.1 for USA eller EN 166 for EU-land.
- Bruk vernehansker under bruk og vedlikehold.
- Bruk vernestøvler eller -sko med skliskire såler.
- Bruk klær i solid stoff og hel lengde. Ikke bruk smykker eller åpne sko. For å senke ulykkesrisikoen må klærne dine være tettsittende, men ikke begrense bevegelsene dine. Sett opp håret over skuldrene for å forhindre at det dras inn i roterende deler eller setter seg fast i greiner.
- Bruk åndedrettsvern når det er risiko for støv.
- Ha førstehjelpsutstyr i nærheten.

Sikkerhetsutstyr på produktet



ADVARSEL: Les de følgende advarslene før du bruker produktet.

- Ikke bruk produktet dersom sikkerhetsutstyret er defekt.
- Utfør regelmessig kontroll av sikkerhetsutstyret. Se *Vedlikehold på side 222*.
- Ta kontakt med din Husqvarna-serviceforhandler dersom sikkerhetsutstyret er defekt.

Slik kontrollerer du lydempere



ADVARSEL: Ikke bruk et produkt med en defekt lydemper.



ADVARSEL: Lydempere blir svært varm under og etter bruk, også på tomgang. Bruk vernehansker for å forhindre brannskader.



ADVARSEL: Innsiden av lydempere inneholder kjemikalier som kan være kreftrfremkallende. Ikke berør lydempere hvis den er skadet.

- Utfør regelmessig en visuell inspeksjon av lyddemperen. Lyddemperen begrenser støynivået og sender avgassene bort fra brukeren. Se *Slik inspiserer og rengjør du kjølesystemet*, på side 223.

Slik kontrollerer du avvibringssystemet

1. Forsikre deg om at det ikke er noen sprekker eller misdannelser på avvibringsenhetene.
2. Kontroller at avvibringsenhetene er festet riktig til motorenheten og håndtakenheten.

Se *Produktoversikt på side 216* for informasjon om hvor avvibringssystemet er på produktet ditt.

Slik kontrollerer du start/stopp-bryteren

1. Bruk start/stopp-bryteren til å stoppe motoren.
2. Kontroller at motoren stopper helt.

Hvis du vil se hvor start/stopp-bryteren er på produktet, kan du se *Produktoversikt på side 216*.

Informasjon om selesikkerhet

Bruk alltid selen når du bruker produktet. Hvis du ikke bruker selen, kan du ikke bruke produktet på en sikker måte. Det kan føre til at du skader deg selv eller andre. Pass på at beltet i livet og bryststroppen er festet og riktig justert. Hvis beltet ikke lukkes, kan det bli sugd inn i viften på produktet.

(Fig. 20)

Drivstoffsikkerhet



ADVARSEL: Les de følgende advarselinstruksjonene før du bruker produktet.

- Ikke bland eller fyll på drivstoff innendørs eller i nærheten av en varmekilde.
- Ikke start produktet hvis det er olje eller drivstoff på produktet eller på kroppen din.
- Ikke start produktet hvis motoren lekker drivstoff. Kontroller motoren for drivstofflekkasjer med jevne mellomrom.
- Vær alltid forsiktig med drivstoff. Drivstoff er brannfarlig, og avgassene er eksplosive og kan forårsake alvorlig personskade eller død.
- Ikke pust inn bensindamp, da dette kan føre til personskade. Pass på at det er tilstrekkelig luftstrøm.
- Du må ikke røyke i nærheten av drivstoff eller motoren.
- Ikke plasser produktet eller en drivstoffbeholder i nærheten av varme gjenstander, en åpen flamme, en gnist eller en pilotflamme.
- Bruk alltid godkjente beholdere for oppbevaring og transport av drivstoff.

Sikkerhetsinstruksjoner for vedlikehold



ADVARSEL: Les de følgende advarselinstruksjonene før du bruker produktet.

- Stopp motoren, fjern tennpluggen og la motoren kjøle seg ned før vedlikehold og montering.
- En blokkert gnistfangerskjerm kan føre til at motoren blir overopphetet, noe som kan skade motoren.
- Hvis gnistfangernettet ofte blir tett, kan dette være et tegn på redusert katalysatorytelse. Få serviceforhandleren til å undersøke lyddemperen.

Montering

Innledning



ADVARSEL: Les og forstå kapittelet om sikkerhet før du monterer produktet.

Slik monterer du blåserøret og regulatorhåndtaket på produktet

Merk: Smør rørene og den fleksible slangen for å gjøre dem enklere å montere.

1. Fest den fleksible slangen (A) til rørvinkelen og manøvreringsrøret (B) med klemmene (C) og (D). (Fig. 21)

2. Fest håndtaksholderen (E) til manøvreringsrøret. Juster håndtaksholderen med flensen på manøvreringsrøret. (Fig. 22)
3. Juster posisjonen til regulatorhåndtaket til en sikker og korrekt arbeidsstilling. Trekk til knotten.
4. Fest kabelen til den fleksible slangen ved hjelp av kabelklemmen. (Fig. 23)
5. Fest mellomrøret til manøvreringsrøret. (Fig. 24)
6. Fest blåsemunnstykket til mellomrøret.

Merk: Blåsemunnstykket kan bare monteres på mellomrøret.

7. Hvis du vil ha høyere lufthastighet, fester du hurtigdysen på blåsemunnstykket.

Drift

Innledning



ADVARSEL: Les og forstå kapittelet om sikkerhet før du bruker produktet.

Drivstoff

Dette produktet har en totaktsmotor.



OBS: Feil type drivstoff kan føre til skader på motoren. Bruk en blanding av bensin og totaktsolje.

Forhåndsblandet drivstoff

- Bruk Husqvarna forhåndsblandet alkylatdrivstoff for å få best mulig ytelse og forlengelse av motorens levetid. Drivstoffet inneholder færre skadelige stoffer sammenlignet med vanlig drivstoff, noe som reduserer skadelige avgasser. Mengden rester etter forbrenning er lavere med dette drivstoffet, noe som holder motoren ren.

Slik blander du drivstoff

Bensin

- Bruk kvalitetsbensin av blyfri type med maksimalt 10 prosent etanolinnhold.



OBS: Ikke bruk bensin med et oktantal som er mindre enn 90 RON/87 AKI. Bruk av lavere oktantal kan føre til motorbanking, noe som forårsaker motorskader.

Totaktsolje

- For å få best mulig resultat og ytelse bør du bruke Husqvarna-totaktsolje.
- Hvis det ikke er mulig å få tak i Husqvarna-totaktsolje, kan du bruke en totaktsolje av høy kvalitet for luftkjølte motorer. Snakk med serviceforhandleren din for å velge riktig olje.



OBS: Bruk ikke totaktsolje beregnet på vannkjølte påhengsmotorer, såkalt outboardoil. Ikke bruk olje for firetaktsmotorer.

Blande bensin og totaktsolje

Bensin, liter	Totaktsolje, liter
	2 % (50:1)

5	0,10
10	0,20
15	0,30
20	0,40



OBS: Små feil kan påvirke blandingsforholdet drastisk når du blander små mengder drivstoff. Mål oljemengden som skal blandes, svært nøyaktig for å sikre at du får riktig blandingsforhold.

(Fig. 25)

1. Fyll halve drivstoffmengden i en ren beholder for drivstoff.
2. Tilsett all oljen.
3. Rist drivstoffblandingen.
4. Fyll resten av bensinen på beholderen.
5. Rist drivstoffblandingen forsiktig.



OBS: Ikke bland drivstoff for mer enn én måned om gangen.

Slik fyller du drivstofftanken



ADVARSEL: Utfør følgende prosedyren for din egen sikkerhet.

1. Stopp motoren, og la motoren bli avkjølt.
2. Tørk rent rundt drivstofflokket. (Fig. 26)
3. Rist beholderen, og forsikre deg om at drivstoffet er helt blandet.
4. Åpne drivstofflokket sakte for å slippe ut trykket.
5. Fyll drivstofftanken.



OBS: Kontroller at det ikke er for mye drivstoff i drivstofftanken. Drivstoffet utvides når det blir varmt.

6. Trekk forsiktig til drivstofflokket.
7. Rengjør drivstoffsøl på og rundt produktet.
8. Flytt produktet minst tre meter bort fra drivstoffkilden og stedet der du fylte drivstoff, før du starter motoren.

Merk: Hvis du vil finne ut hvor drivstofftanken er på produktet, kan du se *Produktoversikt på side 216*.

Slik starter du en kald motor



ADVARSEL: Luft slippes ut så snart motoren startes, selv når den går på tomgang. La ikke andre personer stå i nærheten av blåseren eller blåserøret.

1. Hvis motoren er kald, flytter du chokehendelen (A) til stengt choke-stilling. Se *Symboler på produktet på side 216*. (Fig. 27)
2. Trykk på pumpen (B) minimum 10 ganger til drivstoffet begynner å fylle blæren. Det er ikke nødvendig å fylle blæren helt.
3. Sett gassregulatoren i posisjonen for høy tomgang. Rett inn merkene på gassregulatoren og på regulatorhåndtaket. (Fig. 28)
4. Plasser produktet på et flatt underlag eller på bakken.
5. Hold produktet med venstre hånd og sett foten på fotplaten. (Fig. 29)
6. Trekk langsomt i startsnorhåndtaket med høyre hånd helt til du føler motstand.

Merk: Ikke trekk startsnoren helt ut, og ikke slipp håndtaket på startsnoren.

7. Trekk raskt i startsnorhåndtaket med høyre hånd til motoren starter eller forsøker å starte, maksimalt seks ganger. Hvis motoren starter, flytter du chokehendelen gradvis til åpen stilling og fortsetter til trinn 11. Hvis motoren ikke starter, fortsett til trinn 9.
8. Hvis motoren starter eller prøver å starte, trykker du chokehendelen ned til åpen stilling.
9. Trekk raskt i startsnorhåndtaket med høyre hånd til motoren starter, maksimalt seks ganger.



Merk: Hvis motoren ikke starter, gjentar du startinstruksjonene fra trinn 1.

10. La motoren gå i 30 sekunder.
11. Sett gassregulatoren på tomgang. (Fig. 30)
12. Bruk gassregulatoren til å justere blåserhastigheten. Se *Slik bruker du gassregulatoren på side 221*.

Slik starter du en varm motor

- Hvis omgivelsestemperaturen er lavere enn 32° C / 90° F, bruker du samme startprosedyre som *Slik starter du en kald motor på side 221*, men ikke sett chokehendelen til stengt choke-stilling.
- Hvis omgivelsestemperaturen er over 32° C / 90° F, bruker du samme startprosedyre som *Slik starter du en kald motor på side 221*.

Slik bruker du gassregulatoren

- Du øker blåserhastigheten under drift ved å trykke på gassregulatoren til du får riktig hastighet. (Fig. 31)
- Hvis du vil redusere blåserhastigheten under drift, slipper du gassregulatoren til du får riktig hastighet.

Starte motoren når drivstoffet er for varmt

Hvis produktet ikke starter, kan drivstoffet bli for varmt.

Merk: Bruk alltid nytt drivstoff, og reduser driftstiden under varmt vær.

1. Plasser produktet på et kjølig sted vekk fra sollys.
2. La produktet avkjøles i minst 20 minutter.
3. Trykk på pumpen igjen og igjen i 10–15 sekunder.
4. Følg prosedyren for å starte en kald motor. Se *Slik starter du en kald motor på side 221*.

Slik bruker du produktet

- Bruk produktet ved vanlige arbeidstider. Følg lokale forskrifter.
- Reduser mengden utstyr som brukes, og velg riktig hastighet for arbeidet. Bruk gassregulatoren på lavest mulig stilling for å forhindre mer støy og støv enn nødvendig.
- Hold blåsermunnstykket nær bakken.

Merk: Husqvarna anbefaler at du bruker den fullstendige blåserørforlengeren.

- Merk deg vindretningen, og bruk produktet i vindretningen.
- Bruk nødvendige hageredskaper til å løsne materiale fra bakken.
- I støvete områder bruker du sprøyteutstyr til å væte området. Dette reduserer driftstiden.
- Etter bruk oppbevarer du produktet vertikalt.

Slik stopper du produktet



OBS: Ikke stopp produktet ved full hastighet.

1. Trykk på stoppbryteren. (Fig. 32)

Merk: Når produktet stopper, kan du høre en bankelyd. Dette er normalt og betyr ikke at produktet er defekt.

Slik justerer du selen

1. Ta på deg selen til produktet.
2. Legg hoftebeltet rundt midjen, og fest beltespennen for hoftestroppen. (Fig. 33)

3. Stram stroppen på hoftebeltet. (Fig. 34)
4. Fest beltespennene til brystremmen. (Fig. 35)
5. Juster brystremmen. (Fig. 36)
6. Stram brystremmen. (Fig. 37)
7. Stram skulderstroppene helt til produktet sitter tett inntil kroppen. (Fig. 38)
8. Stram til stroppene for lasteløfteren. (Fig. 39)

Vedlikehold

Innledning



ADVARSEL: Les og forstå kapittelet om sikkerhet før du utfører vedlikehold på produktet.

Vedlikeholdsskjema

Vedlikehold	Daglig	Ukentlig	Månedlig
Rengjør de utvendige flatene.	X		
Kontroller at kontrollhåndtaket fungerer som det skal.	X		
Kontroller at start/stopp-bryteren fungerer som den skal. Se <i>Slik kontrollerer du start/stopp-bryteren på side 219.</i>	X		
Undersøk motoren, drivstofftanken og drivstofflinjene for lekkasjer. Undersøk drivstoffilteret for forurensning. Skift ut drivstoffilteret om nødvendig.	X		
Rengjør luftfilteret. Skift ut luftfilteret om nødvendig.	X		
Trekk til muttere og skruer.	X		
Undersøk luftinntaket og pass på at det ikke er blokkert.	X		
Undersøk starteren og startsnoren for skader.		X	
Undersøk de vibrasjonsdempende enhetene for skader, sprekker og deformering. Kontroller at de vibrasjonsdempende enhetene er riktig installert.		X	
Kontroller tennpluggen. Se <i>Kontrollere tennpluggen på side 223.</i>		X	
Rengjør kjølesystemet.		X	
Rengjør utsiden av forgasseren og området rundt den.		X	
Rengjør drivstofftanken.			X
Undersøk alle kabler og forbindelser.			X
Undersøk og rengjør lydemperens gnistfangernett (for produkter uten katalysator).		X	
Undersøk og rengjør lydemperens gnistfangernett (for produkter med katalysator).			X
Kontroller tennpluggen. Skift ut om nødvendig.			X

Slik justerer du tomgangsturtallet

1. Sørg for at luftfilteret er rent og at luftfilterdekslet er festet.
2. Juster tomgangsturtallet med tomgangsskruen. Hvis du vil se hvor tomgangsskruen er på produktet, kan du se *Produktoversikt på side 216.*

Kontrollere tennpluggen



OBS: Bruk anbefalt tennplugg. Se *Tekniske data på side 225*. Feil tennplugg kan føre til skade på produktet.

1. Stopp motoren, og la produktet bli avkjølt.
2. Rengjør tennpluggen hvis den er skitten.
3. Kontroller at elektrodeavstanden er riktig. Se *Tekniske data på side 225*. (Fig. 40)
4. Skift tennpluggen månedlig, eller oftere om nødvendig.

Slik utfører du vedlikehold på lyddemperen



OBS: Hvis gnistfangernettet ofte blir tett, kan dette være et tegn på redusert katalysatorytelse. Snakk med serviceforhandleren for å undersøke lyddemperen. Et tett gnistfangernet forårsaker overoppheting, med skader på sylindren og stempelet som følge.



OBS: Ved eventuelle skader på gnistfangernettet må det byttes ut. Ikke bruk et produkt hvis gnistfangernettet på lyddemperen mangler eller er defekt.

- Rengjør lyddemperens gnistfangernet. Bruk en metalltrådbørste. (Fig. 41)
- La en serviceforhandler skifte ut eller utføre service på lyddemperen og gnistfangernettet etter 50 timers drift.

Slik inspiserer og rengjør du kjølesystemet.

Kjølesystemet inkluderer kjøleflensene på sylindren og luftinntaksskjermen.

1. Stopp motoren.
2. Kontroller at kjølesystemet ikke er skittent eller tilstoppet. Rengjør luftinntaksskjermen og kjøleflensene om nødvendig.



OBS: Et tilsnusset eller tett kjølesystem kan øke motortemperaturen og kan forårsake skader på produktet. En tilstoppet luftinntaksskjerm reduserer blåsestyrken.

3. Undersøk kjølesystemet for skader. Pass på at delene er riktig festet til produktet.

Slik rengjør du luftfilteret



OBS: Ikke bruk produktet uten luftfilter eller med et skadet luftfilter. Støv i luften kan forårsake skader på motoren.

1. Flytt chokehendelen til lukket choke-stillingen.
2. Ta av luftfilterdekselet (A).
3. Fjern forfilteret (B) fra luftfilterdekselet. (Fig. 42)
4. Fjern luftfilteret (C) fra filterrammen.
5. Rengjør forfilteret og luftfilteret med varmt vann og såpe.

Merk: Et luftfilter som har vært i bruk i lang tid, blir aldri fullstendig rent. Skift luftfilteret regelmessig, og skift alltid ut et defekt luftfilter.

6. Rengjør den indre overflaten til luftfilterdekselet (A) med en børste.
7. Sett luftfilteret i filterrammen.
8. Fest forfilteret til luftfilterdekselet.
9. Sett luftfilterdekselet på produktet igjen.

Feilsøking

Motoren kan ikke startes		
Kontroller	Mulig årsak	Løsning
Starthaker	Blokkerte eller slitte starthaker.	Juster eller skift ut starthakene.
		Rengjør rundt starthakene.
		Ta kontakt med en godkjent serviceforhandler.

Motoren kan ikke startes		
Kontroller	Mulig årsak	Løsning
Drivstofftank	Feil drivstofftype	Tøm drivstofftanken, og bruk riktig drivstoff.
Forgasser.	Justering av tomgangsturtallet	Juster tomgangsturtallet med tomgangsjusteringsskruen.
Gnist (ingen gnist).	Tennplugg er skitten eller våt.	Kontroller at tennpluggen er tørr og ren.
	Elektrodeavstanden på tennpluggen er feil.	Rengjør tennpluggen. Kontroller at elektrodeavstanden er riktig.
		Se Tekniske data for den riktige elektrodeavstanden.
Tennplugg	Tennpluggen sitter løst.	Stram til tennpluggen.
	Det er uønsket materiale på tennpluggens elektroder.	Pass på at drivstoffblandingen er riktig.
		Kontroller at luftfilteret er rent.

Motoren starter, men stopper igjen		
Kontroller	Mulig årsak	Løsning
Drivstofftank	Feil drivstofftype	Tøm drivstofftanken, og bruk riktig drivstoff.
Forgasser.	Motoren fungerer ikke korrekt på tomgang.	Snakk med serviceforhandleren din.
Luftfilter.	Tilstoppet luftfilter.	Rengjør luftfilteret.

Transport og oppbevaring

Transport og oppbevaring



ADVARSEL: For å forhindre brannfare må du sikre at det ikke er noen lekkasjer eller avgasser under transport eller oppbevaring. Pass på at det ikke er noen fare for gnister eller brann.

- Tøm drivstofftanken før transport eller lengre tids oppbevaring. Trykk på luftpumpen for å sikre at alt drivstoffet er fjernet. Lever drivstoffet hos en returstasjon.
- Før lang tids oppbevaring må du sørge for at produktet er rent og at fullstendig service er utført.

- Fjern tennpluggen og hell omtrent 15 ml totaktsolje i sylindren. Snu produktet tre ganger, og monter tennpluggen igjen.
- Fest produktet til kjøretøyet på en sikker måte under transport.
- Oppbevar produktet på et tørt, kjølig og rent sted med god luftsirkulasjon. Hold produktet utilgjengelig for barn.

Tekniske data

Tekniske data

	Husqvarna 345BT (BP152HV)
Motor	
Sylindervolum, cm ³	51,7
Tomgangsturtall, o/min	2800
Katalysator	Ja
Tenningsystem	
Tennplugg	NGK BPMR7A/Champion RCJ6Y
Elektrodeavstand, mm	0,6–0,7
Tennpluggmoment, Nm	25–30
Drivstoff-/smøresystem	
Drivstofftankens kapasitet, l/cm ³	1,0/1000
Vekt	
Vekt, uten drivstoff, kg	10,0
Støyutslipp ⁵²	
Lydeffektnivå, målt dB (A)	110
Lydeffektnivå, garantert L _{WA} dB (A)	113
Lydnivåer ⁵³	
Ekvivalent lydtrykksnivå ved brukerens øre, målt etter EN15503 dB(A)	
Utstyrt med blåsermunnstykke (originalt)	101
Vibrasjonsnivåer ⁵⁴	
Ekvivalente vibrasjonsnivåer (a _{hV,eq}) i håndtak, målt i henhold til EN 15503, m/s ²	6,1
Vifteeffekt	
Maks. lufthastighet med hurtigdysse, m/s	98,3
Luftmengde uten hurtigdysse, m ³ /min	13,9

⁵² Utslipp av støy til omgivelsene målt som lydeffekt (L_{WA}) samsvarer med EF-direktiv 2000/14/EF. Rapporterte lydeffektnivåer for maskinen er målt med det originale skjæreutstyret som gir høyest nivå. Forskjellen mellom garantert og målt lydeffekt er at garantert lydeffekt også omfatter spredning i måleresultatet og variasjoner mellom forskjellige maskiner av samme modell, i henhold til direktivet 2000/14/EF.

⁵³ Rapporterte data for ekvivalent lydtrykksnivå for maskinen har en typisk statistisk spredning (standardavvik) på 3,0 dB (A).

⁵⁴ Rapporterte data for vibrasjonsnivå har en typisk statistisk spredning (standardavvik) på 1,5 m/s².

EF-samsvarserklæring

EF-samsvarserklæring

Vi, Husqvarna AB, SE 561 82 Huskvarna, SVERIGE, erklærer under eneansvar at dette produktet:

Beskrivelse	Bensindrevet blåser / blåser-suger
Merke	Husqvarna
Plattform/type/modell	Plattform BP152HV, som representerer modellen 345BT
Parti	Serienummer datert 2022 og senere

fullstendig overholder følgende EU-direktiver og -forskrifter:

Direktiv/regulering	Beskrivelse
2006/42/EF	«angående maskiner»
2014/30/EU	«angående elektromagnetisk kompatibilitet»
2000/14/EF	«angående utendørsstøy»
2011/65/EU	«angående begrensning av bruken av bestemte farlige stoffer»

Harmoniserte standarder og/eller tekniske spesifikasjoner anvendt er som følger: EN ISO 12100:2010, EN 15503:2009+A2, CISPR 12:2007, EN ISO 14982:2009, EN IEC 63000:2018, EN IEC 63000:2018

I samsvar med direktiv 2000/14/EF vedlegg V står de oppgitte lydverdiene oppført i kapittelet om tekniske data i denne håndboken.

TÜV Rheinland har utført en frivillig typekontroll på vegne av Husqvarna AB og har utstedt AM 50391742,

som bekrefter at en utstyrstype er i overensstemmelse med EF-direktiv 2006/42/EF om maskiner.

Sertifikatet gjelder for alle produksjonssteder og opprinnelsesland, slik det står oppgitt på produktet.

Medfølgende bensindrevet blåser/blåser-suger er i samsvar med det eksemplaret som undergikk undersøkelsen.

På vegne av Husqvarna AB, SE-561 82 Huskvarna, SVERIGE,



Pär Martinsson

Ansvarlig for teknisk dokumentasjon



SPIS TREŚCI

Wstęp.....	227	Rozwiązywanie problemów.....	235
Bezpieczeństwo.....	228	Transport i przechowywanie.....	236
Montaż.....	231	Dane techniczne.....	238
Przeznaczenie.....	231	Deklaracja zgodności WE.....	239
Przeгляд.....	233		

Wstęp

Opis produktu

To urządzenie jest dmuchawą plecakową z silnikiem spalinowym.

Nieustannie modernizujemy swoje wyroby, w związku z czym zastrzegamy sobie prawo do wprowadzania zmian dotyczących m.in. wyglądu produktów bez uprzedzenia.

Przeгляд produktu

(Rys. 1)

1. Dźwignia gazu
2. Rama
3. Szelki
4. Pokrywa silnika
5. Pokrywa wentylatora
6. Osłona wlotu powietrza
7. Filtr powietrza
8. Rączka linki rozrusznika
9. Zbiornik paliwa
10. Pas biodrowy
11. Świeca zapłonowa
12. Układ tłumienia drgań
13. Dźwignia ssania
14. Uchwyt sterujący
15. Wyłącznik z dźwignią gazu
16. Manetka gazu
17. Kolanko
18. Zacisk
19. Wąż giętki
20. Rura manewrowa
21. Zacisk kabla
22. Rura pośrednicząca
23. Dysza dmuchawy
24. Instrukcja obsługi
25. Klucz dwustronny
26. Gruszka pompki paliwa
27. Dysza dużej prędkości wydmuchu
28. Dysza regulacyjna obrotów biegu jałowego
29. Wentylator
30. Płyta podstawy

Przeznaczenie

Produkt jest przeznaczony do zamiatania liści oraz innych niepożądanych materiałów z powierzchni takich jak chodniki, ścieżki i drogi asfaltowe.

Symbole znajdujące się na produkcie

- (Rys. 2) **OSTRZEŻENIE!** Produkt może spowodować poważne obrażenia ciała lub śmierć operatora lub innych osób. Należy zachować ostrożność i prawidłowo korzystać z produktu.
- (Rys. 3) Przed przystąpieniem do pracy należy dokładnie i ze zrozumieniem zapoznać się z treścią niniejszej instrukcji obsługi.
- (Rys. 4) Należy używać zatwierdzonych ochronników słuchu oraz zatwierdzonych okularów ochronnych. Używać maski przeciwpyłowej w miejscach, w których występuje pył.
- (Rys. 5) Stosować atestowane rękawice ochronne podczas obsługi i konserwacji. Nosić buty ochronne lub buty z antypoślizgowymi podeszwami. Nosić długą odzież uszytą z materiału odpornego na rozdarcie.
- (Rys. 6) Związać długie włosy powyżej ramion.
- (Rys. 7) Podczas pracy nie wolno nosić biżuterii ani luźnej odzieży.
- (Rys. 8) Mieszanka benzyny i oleju do silników dwusuwowych.
- (Rys. 9) Gruszka pompki paliwa.
- (Rys. 10) Należy uważać, aby nie dotknąć żadną częścią ciała gorących powierzchni.

(Rys. 11) Nie wolno zbliżać się do wirnika, gdy się obraca.

(Rys. 12) Ssanie w położeniu otwartym.

(Rys. 13) Ssanie w położeniu zamkniętym.

(Rys. 14) Dysza regulacyjna obrotów biegu jałowego.

(Rys. 15) Niniejszy produkt jest zgodny z obowiązującymi dyrektywami WE.

(Rys. 16) Ten produkt jest zgodny z przepisami obowiązującymi w Wielkiej Brytanii.

(Rys. 17) Emisję hałasu do środowiska zgodnie z dyrektywą europejską 2000/14/WE i przepisami Nowej Południowej Walii „Protection of the Environment Operations (Noise Control) Regulation 2017”. Dane dotyczące emisji hałasu można znaleźć na etykiecie maszyny oraz w rozdziale „Dane techniczne”.

(Rys. 18) Uważać na odrzucone przedmioty. Odrzucone przedmioty mogą spowodować poważne obrażenia ciała. Stosować środki ochrony osobistej.

(Rys. 19)

Zachować bezpieczną odległość co najmniej 15 m od osób postronnych oraz zwierząt.

Tabliczka znamionowa lub laserowy nadruk zawiera numer seryjny. **yyyy** to rok produkcji, a **ww** oznacza tydzień produkcji.

yyyywwxxxx

Uwaga: Pozostałe symbole/naklejki samoprzylepne umieszczone na produkcie dotyczą wymogów związanych z certyfikatami w innych obszarach komercyjnych.

Odpowiedzialność za produkt

Zgodnie z przepisami dotyczącymi odpowiedzialności za produkt nie ponosimy odpowiedzialności za szkody spowodowane przez nasz produkt, jeśli:

- produkt jest nieprawidłowo naprawiany.
- produkt jest naprawiany przy użyciu części niepochodzących od producenta lub niezatwierdzonych przez producenta.
- produkt jest wyposażony w akcesoria niepochodzące od producenta lub niezatwierdzone przez producenta.
- produkt nie jest naprawiany w autoryzowanym centrum serwisowym lub przez autoryzowaną placówkę.

Bezpieczeństwo

Definicje dotyczące bezpieczeństwa

Poniższe definicje nadają poziom znaczenia każdemu słowu sygnałowemu.



OSTRZEŻENIE: Obrażenia osób.



UWAGA: Uszkodzenie produktu.

Uwaga: Ta informacja ułatwia używanie maszyny.

Ogólne zasady bezpieczeństwa



OSTRZEŻENIE: Przed rozpoczęciem użytkowania produktu przeczytać następujące ostrzeżenia.

- Nie wprowadzać zmian do urządzenia bez zgody producenta i zawsze korzystać z oryginalnych akcesoriów. Modyfikacje i akcesoria, które nie zostały zatwierdzone przez producenta, mogą stać się przyczyną groźnych obrażeń lub śmierci operatora urządzenia bądź innych osób.
- Nie wolno używać uszkodzonego produktu. Należy przeprowadzać kontrole bezpieczeństwa i czynności konserwacyjne opisane w niniejszej instrukcji obsługi. Wszelkie pozostałe prace konserwacyjne muszą być wykonywane przez pracowników autoryzowanego serwisu.
- Wszystkie prace serwisowe oraz naprawcze muszą być wykonywane przez pracowników autoryzowanego serwisu. Jeśli jakkolwiek części urządzenia jest wadliwa, należy zwrócić się do punktu serwisowego.

Zasady bezpieczeństwa związane z emisją drgań

Ten produkt jest przeznaczony tylko do sporadycznego użytkowania. Ciągłe lub regularne użytkowanie produktu może prowadzić do choroby zwanej „białymi palcami” lub podobnych problemów medycznych wynikających

z drgań. Sprawdzić stan dłoni i palców w przypadku ciągłego lub regularnego użytkowania produktu. W przypadku odbarwienia dłoni lub palców, bólu, mrowienia lub braku czucia należy wstrzymać pracę i natychmiast skonsultować się z lekarzem.

Instrukcje bezpieczeństwa dotyczące obsługi



OSTRZEŻENIE: Przed rozpoczęciem użytkowania produktu przeczytać następujące ostrzeżenia.

- Produkt może spowodować poważne obrażenia ciała lub śmierć operatora lub innych osób. Zachować ostrożność i prawidłowo korzystać z produktu.
- Przed uruchomieniem urządzenia należy sprawdzić jego stan techniczny. Patrz *Przegląd na stronie 233*.
- Nie używać urządzenia będąc zmęczonym, chorym lub pod wpływem alkoholu, narkotyków czy lekarstw, które mogą wpływać negatywnie na wzrok, zdolność oceny sytuacji lub koordynację ruchów.
- Zamontować wszystkie pokrywy i osłony przed użyciem urządzenia. Aby uniknąć porażenia prądem, należy upewnić się, że fajka świecy zapłonowej i przewód zapłonowy nie są uszkodzone.
- Nie dotykać świecy zapłonowej ani przewodu zapłonowego podczas pracy silnika.
- Zachować bezpieczną odległość co najmniej 15 m od osób postronnych oraz zwierząt. Wyłączyć urządzenie, gdy osoby postronne, dzieci lub zwierzęta znajdują się w odległości bliższej niż 15 m. Zwracać urządzenie w kierunku przeciwnym do osób postronnych, zwierząt, otwartych okien i innych obiektów.
- Nie wolno pozwalać dzieciom na obsługę produktu. Wszyscy operatorzy urządzenia powinni zapoznać się z treścią niniejszej instrukcji obsługi.
- Podczas pracy urządzenia należy trzymać ręce i wszelkie inne objekty z dala od obudowy dmuchawy. Części obrotowe mogą spowodować poważne obrażenia ciała.
- Nie używać urządzenia, jeśli osłona wlotu powietrza nie została zamontowana. Przed użyciem należy się zawsze upewnić, że osłona wlotu powietrza jest zamontowana i nie jest uszkodzona.
- W przypadku wystąpienia awarii należy zwolnić pas biodrowy i piersiowy, a następnie upuścić urządzenie.
- Należy przestrzegać wszystkich przepisów oraz dyrektyw prawa krajowego.
- Należy uważać, aby nie dotknąć żadną częścią ciała gorących powierzchni.
- Zbyt wysoki poziom drgań może spowodować uszkodzenie układu krwionośnego lub nerwowego. W przypadku rozpoznania u siebie objawów takich jak odrętwienie, utrata czucia, mrowienie, kłucie,

ból, utrata siły lub odbarwienia dłoni, palców lub nadgarstków należy zwrócić się do lekarza.

- Uważać na odrzucane przedmioty. Odrzucane przedmioty mogą spowodować poważne obrażenia ciała.
- Nie używać urządzenia w niesprzyjających warunkach atmosferycznych, np. we mgłę, w deszczu, przy silnym wietrze lub na silnym mrozie. Praca w takich warunkach może powodować zmęczenie i stwarzać niebezpieczeństwo.
- Należy zapewnić sobie możliwość poruszania się i pracy w stabilnej pozycji. Sprawdzić obszar pracy pod kątem ewentualnych przeszkód, np. kamieni. Należy zachować ostrożność podczas pracy na pochyłości.
- Nie stawiać urządzenia na podłożu podczas pracy silnika.
- Nie należy uruchamiać urządzenia na podwyższeniu, np. na drabinie.
- Należy upewnić się, że w razie wypadku operator urządzenia będzie słyszany.
- Należy sprawdzić, czy wylot spalin nie jest zablokowany. Aby zapobiec uszkodzeniu urządzenia, zachować minimum 50 cm odstępów między wylotem spalin a przeszkodami.
- Nigdy nie włączać urządzenia w pomieszczeniach, miejscach ze złym przepływem powietrza ani w pobliżu materiałów łatwopalnych. Spaliny silnikowe zawierają tlenek węgla, którego wdychanie może spowodować zatrucie. Spaliny silnikowe mają wysoką temperaturę i mogą wraz z nimi wydostawać się iskry, dlatego stanowią zagrożenie pożarowe.

Środki ochrony osobistej



OSTRZEŻENIE: Przed rozpoczęciem użytkowania produktu przeczytać następujące ostrzeżenia.

- Podczas używania urządzenia należy zawsze mieć na sobie środki ochrony osobistej dopuszczone do użytku przez odpowiednie władze. Środki ochrony osobistej nie eliminują ryzyka odniesienia obrażeń, natomiast mogą ograniczyć ich rozmiar. Dodatkowo informację można uzyskać w punkcie sprzedaży.
- Stosować atestowane ochronniki słuchu. Długotrwałe narażenie na hałas może doprowadzić do trwałego uszkodzenia słuchu.
- Stosuj atestowane środki ochrony oczu. Używając maski ochronnej twarzy, nosić także zatwierdzone okulary ochronne. Za zatwierdzone okulary ochronne uważane są takie, które są zgodne z normami ANSI Z87.1 dla USA lub EN 166 dla krajów UE.
- Stosować rękawice ochronne podczas obsługi i konserwacji.
- Nosić buty ochronne lub buty z antypoślizgowymi podeszwami.

- Nosić długą odzież uszytą z materiału odpornego na rozdarcie. Nie nosić biżuterii ani otwartego obuwia. Aby zmniejszyć ryzyko odniesienia obrażeń, operator powinien mieć na sobie dopasowaną, ale nieograniczającą swobody ruchów odzież. Włosy należy spiąć powyżej ramion, aby zapobiec możliwości ich przedostania się do części obrotowych lub zaplątania o gałęzie.
- Jeśli istnieje ryzyko powstawania pyłu, załóż także środki ochrony dróg oddechowych.
- Zawsze mieć pod ręką apteczkę.

Zespoły zabezpieczające na urządzeniu



OSTRZEŻENIE: Przed rozpoczęciem użytkowania produktu przeczytać następujące ostrzeżenia.

- Nie należy używać maszyny z uszkodzonymi urządzeniami zabezpieczającymi.
- Regularnie przeprowadzać kontrole urządzeń zabezpieczających. Patrz *Przegląd na stronie 233*.
- Jeśli urządzenia zabezpieczające są uszkodzone, skontaktować się z warsztatem obsługi technicznej Husqvarna.

Sprawdzanie tłumika



OSTRZEŻENIE: Nie używać produktu z uszkodzonym tłumikiem.



OSTRZEŻENIE: Podczas pracy urządzenia, również na biegu jałowym, oraz po wyłączeniu urządzenia tłumik jest bardzo gorący. Stosować rękawice ochronne, aby zapobiec oparzeniom.



OSTRZEŻENIE: Wewnątrz tłumika znajdują się substancje chemiczne mogące wywoływać choroby nowotworowe. Nie dotykać uszkodzonego tłumika.

- Regularnie przeprowadzać kontrolę wzrokową tłumika. Tłumik ogranicza do minimum poziom hałasu i odprowadza spaliny poza strefę pracy operatora. Patrz *Kontrola i oczyszczanie układu chłodzenia na stronie 235*.

Sprawdzanie układu amortyzowania drgań

- Sprawdzić, czy amortyzatory nie są pęknięte lub odkształcone.
- Upewnić się, że amortyzatory są prawidłowo przymocowane do silnika i uchwyty.

Aby uzyskać informacje na temat lokalizacji systemu tłumienia drgań w danym produkcie, patrz *Przegląd produktu na stronie 227*.

Sprawdzanie wyłącznika

- Silnik należy wyłączać za pomocą przełącznika start/stop.
- Upewnić się, że silnik został całkowicie wyłączony.

Aby sprawdzić, gdzie w urządzeniu znajduje się przełącznik start/stop, patrz *Przegląd produktu na stronie 227*.

Bezpieczne obsługiwane szelek

Podczas korzystania z produktu należy zawsze używać szelek. Korzystanie z produktu bez szelek nie jest bezpieczne. i może stać się przyczyną obrażeń ciała operatora lub innych osób. Należy sprawdzić, czy pasy biodrowe i piersiowy są zapięte, a ich długości odpowiednio wyregulowane. Istnieje ryzyko, że niezapięty pas może zostać wciągnięty przez wentylator produktu.

(Rys. 20)

Zasady bezpieczeństwa dotyczące paliwa



OSTRZEŻENIE: Przed rozpoczęciem użytkowania produktu przeczytać następujące ostrzeżenia.

- Nie mieszać ani nie dolewać paliwa wewnątrz pomieszczeń ani w pobliżu źródła ciepła.
- Nie uruchamiać urządzenia, jeśli doszło do rozlania paliwa lub oleju na urządzenie lub ciało.
- Nie uruchamiać urządzenia w przypadku wycieku paliwa z silnika. Regularnie sprawdzać silnik pod kątem nieszczelności.
- Ostrożnie obchodzić się z paliwem. Paliwo jest łatwopalne, a jego opary mogą wybuchnąć, powodując poważne obrażenia lub śmierć.
- Nie wdychać oparów paliwa, ponieważ może to być groźne dla zdrowia lub życia. Zapewnić odpowiednią wentylację.
- Nie palić tytoniu w pobliżu paliwa lub silnika.
- Nie umieszczać urządzenia ani pojemnika na paliwo w pobliżu gorących obiektów, otwartego płomienia, iskry lub płomienia zapłonowego.
- Zawsze należy korzystać z zatwierdzonych pojemników do przechowywania i transportu paliwa.

Instrukcje bezpieczeństwa dotyczące konserwacji



OSTRZEŻENIE: Przed rozpoczęciem użytkowania produktu przeczytać następujące ostrzeżenia.

- Zatrzymać silnik, wymontować świecę zapłonową i poczekać, aż silnik ostygnie przed przystąpieniem do konserwacji lub montażu.

- Zatkany chwytacz iskier może powodować przegrzewanie się silnika, a w konsekwencji jego uszkodzenie.
- Jeżeli siatka zapycha się często, może to oznaczać, że uległa zmniejszeniu efektywność działania

katalizatora. W takim przypadku należy oddać tłumik do przeglądu w punkcie serwisowym.

Montaż

Wstęp



OSTRZEŻENIE: Przed zmontowaniem produktu należy zapoznać się z rozdziałem dotyczącym bezpieczeństwa.

Montaż rury dmuchawy i uchwytu sterującego na urządzeniu

Uwaga: Nasmarować rurki i wąż giętki, aby ułatwić montaż.

1. Podłączyć wąż giętki (A) do kolanka i rury manewrowej (B) za pomocą zacisków (C) i (D). (Rys. 21)
2. Przymocować obsadę uchwytu (E) do rury manewrowej. Wyrównać obsadę uchwytu z kołnierzem na rurze manewrowej. (Rys. 22)

3. Dostosować pozycję uchwytu sterującego, aby uzyskać bezpieczną i prawidłową pozycję roboczą. Przykręcić pokrętko.
4. Podłączyć kabel do węża giętkiego za pomocą zacisku linki. (Rys. 23)
5. Podłączyć rurę pośredniczącą do rury manewrowej. (Rys. 24)
6. Podłączyć dyszę dmuchawy do rury pośredniczącej.

Uwaga: Dyszę dmuchawy można podłączyć wyłącznie do rury pośredniczącej.

7. W celu uzyskania większej siły nadmuchu do dyszy dmuchawy należy podłączyć dyszę dużej prędkości nawiewu.

Przeznaczenie

Wstęp



OSTRZEŻENIE: Przed użyciem produktu należy zapoznać się z rozdziałem dotyczącym bezpieczeństwa.

Paliwo

Produkt jest wyposażony w silnik dwusuwowy.



UWAGA: Nieprawidłowy rodzaj paliwa może doprowadzić do uszkodzenia silnika. Używać mieszanki benzyny i oleju do silników dwusuwowych.

Wstępnie wymieszane paliwo

- W celu zapewnienia najlepszej wydajności i wydłużenia żywotności silnika należy używać wstępnie wymieszanego paliwa alkaliowego Husqvarna. Takie paliwo zawiera mniej szkodliwych substancji chemicznych w porównaniu z tradycyjnym paliwem, dzięki czemu wytwarza mniej szkodliwych gazów wydechowych. Ilość pozostałości po spaleniu tego paliwa jest mniejsza, co zapewnia większą czystość elementów silnika.

Mieszanie paliwa

Benzyna

- Należy używać wysokiej jakości benzyny bezołowiowej o maks. 10% zawartości etanolu.



UWAGA: Nie używać benzyny o liczbie oktanowej niższej niż 90 RON/87 AKI. Używanie benzyny o niższej liczbie oktanowej może powodować odgłosy stukania i prowadzić do uszkodzenia silnika.

Olej do silników dwusuwowych

- Aby uzyskać najlepsze wyniki i wydajność, należy używać oleju do silników dwusuwowych Husqvarna.
- Jeśli olej Husqvarna do silników dwusuwowych nie jest dostępny, należy użyć dobrej jakości oleju do silników dwusuwowych chłodzonych powietrzem. Skontaktować się z dealerm ds. serwisu w celu wybrania właściwego oleju.



UWAGA: Nigdy nie używaj oleju do silników dwusuwowych przeznaczonego do chłodzonych wodą, zaburtowych

silników do łodzi. Nie używać oleju przeznaczanego do silników czteresurowych.

Mieszanie benzyny i oleju do silników dwusuwowych

Benzyzna, w litrach	Olej do silników dwusuwowych, w litrach
	2% (50:1)
5	0,10
10	0,20
15	0,30
20	0,40



UWAGA: Podczas mieszania małych ilości paliwa niewielkie błędy mogą mieć znaczny wpływ na proporcje mieszanki. W celu uzyskania prawidłowej mieszanki należy dokładnie odmierzyć ilość dodawanego oleju.

(Rys. 25)

1. Wlać połowę objętości benzyny do czystego pojemnika na paliwo.
2. Wlać pełną ilość oleju.
3. Wymieszać dokładnie paliwo z olejem, potrząsając pojemnikiem.
4. Dodać pozostałą objętość benzyny do pojemnika.
5. Wymieszać dokładnie paliwo z olejem, potrząsając pojemnikiem.



UWAGA: Nie mieszać jednorazowo większej ilości paliwa niż wymagana na 1 miesiąc pracy.

Napełnianie zbiornika paliwa



OSTRZEŻENIE: Należy przestrzegać następującej procedury w celu zapewnienia bezpieczeństwa użytkownika.

1. Wyłączyć silnik i poczekać, aż ostygnie.
2. Oczyszczyć korek wlewowy i powierzchnię wokół niego. (Rys. 26)
3. Wstrząsnąć pojemnikiem i upewnić się, że paliwo jest dobrze wymieszane.
4. Wyjąć korek zbiornika paliwa w celu wyrównania ciśnienia.
5. Napełnianie zbiornika paliwa.



UWAGA: Upewnić się, że w zbiorniku paliwa nie ma zbyt dużo paliwa. Paliwo rozszerza się po nagrzaniu.

6. Ostrożnie dokręcić korek zbiornika paliwa.
7. Usunąć rozlane paliwo z produktu i jego otoczenia.
8. Przed uruchomieniem silnika należy przenieść produkt na odległość 3 m/10 stóp lub więcej od miejsca tankowania i przechowywania paliwa.

Uwaga: Aby sprawdzić, gdzie w produkcie znajduje się zbiornik paliwa, patrz *Przegląd produktu na stronie 227*.

Uruchamianie zimnego silnika



OSTRZEŻENIE: Powietrze jest wyrzucane natychmiast po uruchomieniu silnika, nawet w czasie pracy na biegu jałowym. Nie wolno pozwolić, aby ktokolwiek stał zbyt blisko dmuchawy lub rury wylotowej.

1. Jeśli silnik jest zimny, przestawić dźwignię ssania (A) do położenia zamkniętego. Patrz *Symbole znajdujące się na produkcie na stronie 227*. (Rys. 27)
2. Nacisnąć gruszkę pompki paliwa (B) co najmniej 10 razy, aby napełniła się paliwem. Nie jest konieczne całkowite napełnienie gruszki pompki paliwa.
3. Ustawić dźwignię gazu w położeniu szybkiego biegu jałowego. Wyrównać oznaczenia prowadzące na dźwigni gazu i uchwycie sterującym. (Rys. 28)
4. Umieścić urządzenie na płaskiej powierzchni na ziemi.
5. Przytrzymać urządzenie lewą ręką i postawić stopę na płycie podstawy. (Rys. 29)
6. Powoli pociągać linkę rozrusznika prawą ręką aż do wycucia oporu.

Uwaga: Nie ciągnąć rączki linki rozrusznika do pełnego wysunięcia i nie puszczać jej.

7. Szybko pociągać prawą ręką linkę rozrusznika do momentu, aż silnik uruchomi się lub będzie próbował zaskoczyć, maksymalnie 6 razy. Jeśli silnik uruchomi się, stopniowo przesunąć dźwignię ssania w położenie otwarte i przejść do kroku 11. Jeśli silnik nie uruchomi się, przejść do kroku 9.
8. Kiedy silnik będzie próbował zaskoczyć, stopniowo przesunąć dźwignię ssania w położenie otwarte.
9. Szybko pociągać prawą ręką linkę rozrusznika do momentu, aż silnik uruchomi się, maksymalnie 6 razy.



Uwaga: Jeśli silnik nie uruchamia się, powtórzyc instrukcje rozruchu od kroku 1.

10. Silnik powinien pracować przez 30 s.
11. Ustawić dźwignię gazu na obrotach biegu jałowego. (Rys. 30)
12. Do sterowania szybkością nadmuchu służy manetka gazu. Patrz *Korzystanie z manetki gazu na stronie 233*.

Uruchamianie rozgrzanego silnika

- Jeśli temperatura otoczenia jest niższa niż 32°C / 90°F, należy wykonać te same czynności rozruchowe jak te przedstawione w części *Uruchamianie zimnego silnika na stronie 232*, ale nie ustawiać dźwigni ssania w położeniu zamkniętym.
- Jeśli temperatura otoczenia jest wyższa niż 32°C / 90°F, należy wykonać te same czynności rozruchowe jak te przedstawione w części *Uruchamianie zimnego silnika na stronie 232*.

Korzystanie z manetki gazu

- W celu zwiększenia prędkości dmuchawy podczas pracy należy nacisnąć manetkę gazu aż do uzyskania prawidłowej prędkości. (Rys. 31)
- W celu zmniejszenia prędkości dmuchawy podczas pracy należy zwolnić manetkę gazu aż do uzyskania prawidłowej prędkości.

Uruchamianie silnika, gdy paliwo jest zbyt gorące

Jeśli produkt się nie uruchamia, paliwo może być zbyt gorące.

Uwaga: Zawsze stosować nowe paliwo i skracać czas pracy podczas ciepłej pogody.

1. Umieścić produkt w chłodnym miejscu z dala od bezpośredniego światła słonecznego.
2. Pozostawić produkt do ostygnięcia przynajmniej na 20 minut.
3. Naciskać pompkę paliwa jeszcze przez 10–15 s.
4. Postępować zgodnie z procedurą uruchamiania zimnego silnika. Patrz *Uruchamianie zimnego silnika na stronie 232*.

Obsługa produktu

- Używać urządzenia podczas typowych godzin pracy. Przestrzegać lokalnych przepisów.
- Zmniejszyć liczbę pracujących urządzeń i dostosować prędkość do potrzeb i charakteru pracy. Ustawić przepustnicę w najniższej możliwej pozycji, aby zapobiec większej niż to konieczne emisji hałasu i pyłu.
- Trzymać dyszę dmuchawy blisko podłoża.

Uwaga: Firma Husqvarna zaleca stosowanie pełnego przedłużenia dyszy dmuchawy.

- Należy zwrócić uwagę na kierunek wiatru i sterować urządzeniem zgodnie z kierunkiem, w którym wieje.
- Użyć odpowiednich narzędzi ogrodniczych, aby oddzielić materiał od podłoża.
- Na obszarach, gdzie występuje pył, użyć urządzeń spryskujących, aby zwilżyć teren. Pozwoli to ograniczyć czas pracy.
- Po zakończeniu pracy przechowywać urządzenie w pozycji pionowej.

Wyłączenie produktu



UWAGA: Nie wyłączać urządzenia przy pełnych obrotach.

1. Wcisnąć wyłącznik. (Rys. 32)

Uwaga: W momencie zatrzymywania się urządzenia słychać stuknięcie. Ten charakterystyczny dźwięk nie oznacza uszkodzenia produktu.

Regulacja szelek

1. Założyć szelki produktu.
2. Założyć pas biodrowy i zapiąć kłamrę. (Rys. 33)
3. Zaciśnąć pas biodrowy. (Rys. 34)
4. Zapiąć kłamrę pasa piersiowego. (Rys. 35)
5. Wyregulować położenie pasa piersiowego. (Rys. 36)
6. Naciągnąć pasek piersiowy. (Rys. 37)
7. Zaciśnąć pasy naramienne, aż urządzenie będzie ściśle przylegać do ciała. (Rys. 38)
8. Naciągnąć paski stabilizujące obciążenie. (Rys. 39)

Przegląd

Wstęp

zapoznać się z rozdziałem dotyczącym bezpieczeństwa.



OSTRZEŻENIE: Przed przystąpieniem do konserwacji produktu

Plan konserwacji

Przegląd	Codziennie	Co tydzień	Co miesiąc
Oczyszczyć powierzchnie zewnętrzne.	X		
Upewnić się, że uchwyt sterujący działa prawidłowo.	X		
Upewnić się, że przełącznik start/stop działa prawidłowo. Patrz <i>Sprawdzanie wyłącznika na stronie 230</i> .	X		
Sprawdzić silnik, zbiornik paliwa i przewody paliwowe pod kątem wycieków. Sprawdzić filtr paliwa pod kątem zanieczyszczeń. W razie konieczności wymienić filtr paliwa.	X		
Oczyszczyć filtr powietrza. W razie konieczności wymienić filtr powietrza.	X		
Dokręcić nakrętki i śruby.	X		
Sprawdzić wlot powietrza, aby upewnić się, że nie jest zablokowany.	X		
Sprawdzić rozrusznik i linkę rozrusznika pod kątem uszkodzeń.		X	
Sprawdzić elementy amortyzujące pod kątem uszkodzeń, pęknięć i odkształceń. Upewnić się, że elementy amortyzujące są prawidłowo zamontowane.		X	
Sprawdzić świecę zapłonową. Patrz <i>Sprawdzanie świecy zapłonowej na stronie 234</i> .		X	
Oczyszczyć układ chłodzenia.		X	
Wyczyścić zewnętrzną powierzchnię gaźnika oraz przestrzeń wokół niego.		X	
Oczyszczyć zbiornik paliwa.			X
Sprawdzić stan wszystkich przewodów i połączeń.			X
Sprawdzić i oczyścić chwytacz iskier znajdujący się na tłumiku (w urządzeniach bez katalizatora).		X	
Sprawdzić i oczyścić chwytacz iskier znajdujący się na tłumiku (w urządzeniach z katalizatorem).			X
Sprawdzić świecę zapłonową. W razie potrzeby wymienić.			X

Regulacja obrotów biegu jałowego

1. Sprawdzić, czy filtr powietrza jest czysty, a jego pokrywa została zamontowana.
2. Ustawić obroty biegu jałowego za pomocą śruby obrotów jałowych. Aby sprawdzić, gdzie w produkcie znajduje się śruba obrotów jałowych, patrz *Przegląd produktu na stronie 227*.

Sprawdzanie świecy zapłonowej



UWAGA: Używać zalecanej świecy zapłonowej. Patrz *Dane techniczne na stronie 238*. Nieprawidłowa świeca zapłonowa może doprowadzić do uszkodzenia maszyny.

1. Wylączyć silnik i poczekać, aż urządzenie ostygnie.
2. Wyczyścić świecę zapłonową, jeśli jest brudna.
3. Upewnić się, że odstęp między elektrodami jest prawidłowy. Patrz *Dane techniczne na stronie 238*. (Rys. 40)
4. Wymieniać świecę zapłonową co miesiąc lub częściej, jeśli zachodzi taka potrzeba.

Konserwacja tłumika



UWAGA: Jeżeli siatka zapycha się często, może to oznaczać, że uległa zmniejszeniu efektywność działania katalizatora. W takim przypadku należy oddać tłumik do przeglądu w punkcie serwisowym. W przypadku zapchania siatki

silnik nagrzewa się nadmiernie, co może doprowadzić do uszkodzenia cylindra i tłoka.



UWAGA: Uszkodzoną siatkę przeciwwiskrową należy wymienić na nową. Nigdy nie należy używać urządzenia, jeżeli na tłumiku nie ma siatki przeciwwiskrowej lub jest ona uszkodzona.

- Oczyszczyć siatkę przeciwwiskrową tłumika. Stosować szczotkę drucianą. (Rys. 41)
- Po 50 godzinach pracy należy zlecić punktowi serwisowemu wymianę lub serwisowanie tłumika i siatki przeciwwiskrowej.

Kontrola i czyszczenie układu chłodzenia

Układ chłodzenia zawiera żebra chłodzące na cylindrze i osłonie wlotu powietrza.

1. Zatrzymać silnik.
2. Sprawdzić, czy system chłodzący nie jest zabrudzony lub zatkany. W razie konieczności oczyścić osłonę wlotu powietrza i żebra chłodzące.



UWAGA: Zanieczyszczony lub zatkany układ chłodzenia może podnieść temperaturę silnika i doprowadzić do uszkodzenia urządzenia. Zatkana osłona wlotu powietrza zmniejsza siłę wydmuchu.

3. Sprawdzić układ chłodzenia pod kątem uszkodzeń. Upewnić się, że części urządzenia są prawidłowo zamocowane.

Czyszczenie filtra powietrza



UWAGA: Nie uruchamiać silnika, jeśli filtr powietrza nie jest zamontowany lub jest uszkodzony. Pył w powietrzu może spowodować uszkodzenie silnika.

1. Przesunąć dźwignię ssania do położenia zamkniętego.
 2. Zdjąć pokrywę filtra powietrza (A).
 3. Zdjąć filtr wstępny (B) z pokrywy filtra powietrza. (Rys. 42)
 4. Wyjąć filtr powietrza (C) z ramki filtra.
 5. Umyć filtr wstępny i filtr powietrza ciepłą wodą z mydłem.
- Uwaga:** Całkowite oczyszczenie filtra po długim okresie użytkowania nie jest możliwe. Wymieniać filtr powietrza regularnie i zawsze wymieniać uszkodzony filtr powietrza.
6. Wyczyścić szczotką powierzchnię wewnętrzną pokrywy filtra powietrza (A).
 7. Umieścić filtr powietrza w ramce filtra.
 8. Przymocować filtr wstępny do pokrywy filtra powietrza.
 9. Zamocować pokrywę filtra powietrza w urządzeniu.

Rozwiązywanie problemów

Silnik się nie uruchamia		
Kontrola	Możliwa przyczyna	Rozwiązanie
Zabieraki rozrusznika.	Zablokowane lub zużyte zabieraki rozrusznika.	Wyregulować lub wymienić zabieraki rozrusznika.
		Wyczyścić powierzchnię wokół zabieraków rozrusznika.
		Skontaktować się z autoryzowanym punktem serwisowym.
Zbiornik paliwa.	Niewłaściwy rodzaj paliwa.	Opróżnić zbiornik paliwa i użyć odpowiedniego paliwa.
Gaźnik.	Regulacja obrotów biegu jałowego.	Ustawić obroty biegu jałowego dyszą regulacyjną obrotów biegu jałowego.

Silnik się nie uruchamia		
Kontrola	Możliwa przyczyna	Rozwiązanie
Iskra (brak iskry).	Świeca zapłonowa jest zanieczyszczona lub mokra.	Sprawdzić, czy świeca zapłonowa jest sucha i czysta.
	Odstęp między elektrodami na świecy zapłonowej jest nieprawidłowy.	Oczyszczyć świecę zapłonową. Upewnić się, że odstęp między elektrodami jest prawidłowy. Informacje na temat odpowiedniego odstępu między elektrodami znajdują się w danych technicznych.
Świeca zapłonowa,	Świeca zapłonowa jest poluzowana.	Dokręcić świecę zapłonową.
	Na elektrodach świecy zapłonowej znajduje się niepożądany materiał.	Dopilnować, aby używana była odpowiednia mieszanka paliwowa. Zadbać o czystość filtra powietrza.

Silnik odpala i gaśnie		
Kontrola	Możliwa przyczyna	Rozwiązanie
Zbiornik paliwa.	Niewłaściwy rodzaj paliwa.	Opróżnić zbiornik paliwa i użyć odpowiedniego paliwa.
Gaźnik.	Silnik nie działa prawidłowo przy obrotach przy obrotach biegu jałowego.	Należy zwrócić się do punktu serwisowego.
Filtr powietrza	Zapchany filtr powietrza.	Oczyszczyć filtr powietrza.

Transport i przechowywanie

Transport i przechowywanie



OSTRZEŻENIE: Aby zapobiec ryzyku pożaru podczas transportu i przechowywania, należy upewnić się, że nie ma żadnych przecieków ani nie wydostają się żadne opary. Upewnić się, że nie występuje żadne ryzyko zetknięcia się z iskrą lub wystąpienia pożaru.

- Opróżnić zbiornik paliwa przed transportem lub długim przechowywaniem. Nacisnąć kilkakrotnie

gruszkę pompki paliwa, aby upewnić się, że całe paliwo zostało usunięte. Utylizacja paliwa musi odbywać się w odpowiednim miejscu.

- Przed długim okresem przechowywania należy upewnić się, że urządzenie jest czyste i zostało poddane pełnemu serwisowi.
- Wykręcić świecę zapłonową i wlać do cylindra ok. 15 ml oleju do silników dwusuwowych. Obrócić urządzenie 3 razy i ponownie zamontować świecę zapłonową.
- Bezpiecznie zamocować urządzenie do pojazdu na czas transportu.

- Urządzenie przechowywać w suchym, chłodnym i czystym miejscu o dobrej wentylacji. Przechowywać produkt z dala od dzieci.

Dane techniczne

Dane techniczne

	Husqvarna 345BT (BP152HV)
Silnik	
Pojemność skokowa, cm ³	51,7
Obroty na biegu jałowym, obr./min	2800
Katalizator	Tak
Układ zapłonowy	
Świeca zapłonowa	NGK BPMR7A/Champion RCJ6Y
Odstęp między elektrodami, w mm	0,6–0,7
Moment świecy zapłonowej, Nm	25–30
Układ zasilania/smarowania	
Pojemność zbiornika paliwa, l/cm ³	1,0/1000
Waga	
Masa, bez paliwa, kg	10,0
Poziom hałasu ⁵⁵	
Zmierzony poziom mocy akustycznej, dB(A)	110
Poziom głośności, gwarantowana moc akustyczna L _{WA} dB(A)	113
Poziomy głośności ⁵⁶	
Równoważny poziom ciśnienia akustycznego przy uchu operatora, mierzony zgodnie z normą EN15503, dB(A):	
Urządzenie wyposażone w dyszę dmuchawy (oryginalną)	101
Poziomy drgań ⁵⁷	
Równoważne poziomy drgań uchwytów (a _{hw,eq}), zmierzone zgodnie z normami: EN 15503, m/s ²	6,1
Wydajność pracy wentylatora	
Maks. prędkość powietrza dla dyszy dużej prędkości wydmuchu, m/s	98,3
Przepływ powietrza bez dyszy dużej prędkości wydmuchu, m ³ /min	13,9

⁵⁵ Emisję hałasu do otoczenia zmierzono jako moc akustyczną (L_{WA}), zgodnie z dyrektywą WE 2000/14/WE. Odnotowany poziom ciśnienia akustycznego dla urządzenia został zmierzony z oryginalnym osprzętem tnącym, takim który generuje najwięcej hałasu. Różnica pomiędzy gwarantowanym a zmierzonym poziomem ciśnienia akustycznego wynika z tego, że poziom gwarantowany uwzględnia także rozrzut w wynikach pomiaru oraz różnice pomiędzy różnymi wersjami tego samego modelu zgodnie z dyrektywą 2000/14/EC.

⁵⁶ Odnotowane dane dla ciśnienia akustycznego mają typowe rozproszenie statystyczne (odchylenie standardowe) w wysokości 3,0 dB (A).

⁵⁷ Odnotowane dane dla poziomu vibracji mają typowe rozproszenie statystyczne (odchylenie standardowe) w wysokości 1,5 m/s².

Deklaracja zgodności WE

Deklaracja zgodności z normami WE

Firma Husqvarna AB, SE 561 82 Huskvarna, SZWECJA, deklaruje z pełną odpowiedzialnością, że przedstawiony produkt:

Opis	Spalinowa dmuchawa/odkurzacz
Marka	Husqvarna
Platforma/typ/model	PlatformaBP152HV, reprezentująca model 345BT.
Partia produkcyjna	Począwszy od numerów seryjnych z roku 2022.

spełnia wszystkie wymogi określone w odpowiednich dyrektywach i przepisach UE:

Dyrektywa/przepis	Opis
2006/42/WE	„maszynowa”
2014/30/UE	„dotycząca zgodności elektromagnetycznej”
2000/14/WE	„dotycząca emisji hałasu”
2011/65/UE	„dotycząca ograniczenia użycia określonych substancji niebezpiecznych”

Zostały zastosowane następujące normy zharmonizowane i/lub specyfikacje techniczne: EN ISO 12100:2010, EN 15503:2009+A2, CISPR 12:2007, EN ISO 14982:2009, EN IEC 63000:2018, EN IEC 63000:2018

Zgodnie z dyrektywą 2000/14/WE, Aneks V, deklarowane wartości dźwięku są podane w rozdziale „Dane techniczne” niniejszej instrukcji.

Jednostka certyfikująca TÜV Rheinland przeprowadziła dobrowolną kontrolę w imieniu firmy Husqvarna AB oraz wydała Certyfikat AM 50391742, poświadczający

zgodność urządzenia z Dyrektywą Rady Europejskiej 2006/42/WE w sprawie maszyn.

Certyfikat ten dotyczy wszystkich miejsc produkcji oraz krajów pochodzenia zamieszczonych na produktach.

Dostarczone urządzenie — benzynowa dmuchawa/odkurzacz — jest zgodne ze specyfikacją prototypu poddanego kontroli.

W imieniu Husqvarna AB, SE-561 82 Huskvarna, SZWECJA,



Pär Martinsson

Osoba odpowiedzialna za dokumentację techniczną



ÍNDICE

Introdução.....	240	Resolução de problemas.....	248
Segurança.....	241	Transporte e armazenamento.....	249
Montagem.....	244	Especificações técnicas.....	250
Funcionamento.....	244	Declaração CE de conformidade.....	251
Manutenção.....	246		

Introdução

Descrição do produto

O produto é um soprador de mochila com um motor a combustível.

Seguimos uma política de desenvolvimento contínuo dos nossos produtos e, por conseguinte, reservamo-nos o direito de modificar o design e o aspecto dos mesmos, sem aviso prévio.

Vista geral do produto

(Fig. 1)

1. Alavanca do acelerador
2. Estrutura
3. Cablagem
4. Cobertura do motor
5. Cobertura da ventoinha
6. Grelha de entrada de ar
7. Filtro de ar
8. Punho do cabo de arranque
9. Depósito de combustível
10. Cinto de cintura
11. Vela de ignição
12. Sistema antivibração
13. Controlo do estrangulador
14. Punho de comando
15. Interruptor Stop com acelerador
16. Acelerador
17. Ângulo do tubo
18. Grampo
19. Mangueira flexível
20. Tubo de manobra
21. Abraçadeira de cabo
22. Tubo intermédio
23. Bocal do soprador
24. Manual do utilizador
25. Chave combinada
26. Ampola da purga de ar
27. Bocal de alta velocidade
28. Parafuso de ajuste do ralenti
29. Ventoinha
30. Plataforma

Finalidade

Utilize o produto para soprar folhas e outros materiais indesejáveis de áreas como relvados, caminhos e estradas alcatroadas.

Símbolos no produto

- (Fig. 2) AVISO! Este produto pode ser perigoso e provocar ferimentos graves ou a morte do operador ou de terceiros. Seja cuidadoso e utilize o produto corretamente.
- (Fig. 3) Leia o manual do utilizador com atenção e certifique-se de que compreende as instruções antes de utilizar o produto.
- (Fig. 4) Utilize protetores acústicos e proteção ocular aprovados. Se o ambiente tiver pó, utilize uma máscara respiratória.
- (Fig. 5) Utilize luvas de proteção aprovadas durante o funcionamento e manutenção. Utilize sapatos ou botas de proteção com solas antiderrapantes. Utilize vestuário de tecido resistente e comprido.
- (Fig. 6) Certifique-se de que o cabelo comprido está preso acima dos seus ombros.
- (Fig. 7) Não utilize joias ou roupas largas durante o funcionamento.
- (Fig. 8) Mistura de gasolina e óleo para motores de dois tempos.
- (Fig. 9) Ampola da purga de ar.
- (Fig. 10) Mantenha todas as partes do corpo afastadas de superfícies quentes.

- (Fig. 11) Não se aproxime do propulsor quando este se encontrar em rotação.
- (Fig. 12) Estrangulador, posição aberta.
- (Fig. 13) Estrangulador, posição fechada.
- (Fig. 14) Parafuso de ajuste do ralenti.
- (Fig. 15) Este produto está em conformidade com as diretivas aplicáveis da CE.

- (Fig. 16) Este produto está em conformidade com os regulamento do RU aplicáveis.

- (Fig. 17) Emissões de ruído para o meio ambiente de acordo com a Diretiva Europeia 2000/14/CE e com o regulamento "Protection of the Environment Operations (Noise Control) Regulation 2017" (regulamento de proteção de operações no meio ambiente [controlo do ruído] de 2017 da Nova Gales do Sul). Os dados das emissões de ruído podem ser encontrados na etiqueta da máquina no capítulo Especificações técnicas.

Tenha cuidado com a projeção de objetos. Os objetos projetados podem causar ferimentos graves. Use equipamento de proteção pessoal.

- (Fig. 18)

- (Fig. 19)

yyyywwxxxx

Mantenha uma distância de segurança de, no mínimo, 15 m em relação a pessoas ou animais.

A etiqueta de tipo ou a impressão a laser apresenta o número de série. **aaaa** é o ano de fabrico e **ss** é a semana de fabrico.

Nota: Os restantes símbolos/autocolantes existentes no produto dizem respeito a exigências para homologação em outras áreas comerciais.

Responsabilidade pelo produto

Como referido nas leis de responsabilidade pelo produto, não somos responsáveis por danos causados pelo nosso produto se:

- o produto tiver sido incorretamente reparado.
- o produto tiver sido reparado com peças que não sejam do fabricante ou que não sejam aprovadas pelo fabricante.
- o produto tiver um acessório que não seja do fabricante ou que não seja aprovado pelo fabricante.
- o produto não tiver sido reparado por um centro de assistência autorizado ou por uma autoridade aprovada.

Segurança

Definições de segurança

As definições abaixo indicam o nível de gravidade para cada palavra do sinal.



ATENÇÃO: Ferimentos pessoais.



CUIDADO: Danos no produto.

Nota: Esta informação facilita a utilização do produto.

Instruções de segurança gerais



ATENÇÃO: Leia as instruções de aviso que se seguem antes de utilizar o produto.

- Não efetue alterações ao produto sem a aprovação do fabricante e utilize sempre acessórios originais. Modificações e/ou acessórios não aprovados podem resultar em ferimentos graves ou morte do operador ou de terceiros.
- Não utilize um produto danificado. Efetue as verificações de segurança e manutenção descritas neste manual do utilizador. Qualquer outra manutenção tem de ser realizada por pessoal de assistência aprovado.
- Todos os trabalhos de manutenção e reparação têm de ser realizados por pessoal de assistência aprovado. Se uma peça do produto apresentar defeitos, contacte o seu revendedor com assistência técnica.

Segurança da vibração

Este produto foi concebido apenas para funcionamento ocasional. O funcionamento contínuo ou regular do produto pode causar "síndrome dos dedos brancos" ou problemas médicos equivalentes causados pelas vibrações. Examine o estado das suas mãos e dedos

se utilizar o produto de forma contínua ou regular. Se as suas mãos ou dedos apresentarem descoloração, se tiver dor ou uma sensação de zumbido ou dormência, pare de trabalhar e consulte imediatamente um médico.

Instruções de segurança para funcionamento



ATENÇÃO: Leia as instruções de aviso que se seguem antes de utilizar o produto.

- Este produto pode ser perigoso e provocar ferimentos graves ou a morte do operador ou de terceiros. Seja cuidadoso e utilize o produto corretamente.
- Inspeccione o produto antes de o utilizar. Consulte *Manutenção na página 246*.
- Não utilize o produto se estiver cansado, doente ou sob a influência de álcool ou outras drogas que possam afetar a sua visão, discernimento ou coordenação motora.
- Instale todas as coberturas e proteções antes da utilização. Para evitar choques elétricos, certifique-se de que a cobertura da vela de ignição e o cabo de ignição não estão danificados.
- Não toque na vela ou no cabo de ignição quando o motor está ligado.
- Mantenha uma distância de segurança de, no mínimo, 15 m em relação a pessoas ou animais. Se pessoas, crianças ou animais se aproximarem a menos de 15 m, pare o produto. Aponte o produto para longe de pessoas, animais, janelas abertas e outros objetos.
- Não permita que as crianças operem o produto. Certifique-se de que todos os operadores leem e compreendem o conteúdo deste manual do utilizador.
- Mantenha as mãos ou outros objetos afastados do alojamento do soprador durante o funcionamento. As peças rotativas podem provocar ferimentos graves.
- Não utilize o produto se a grelha de admissão de ar não estiver instalada. Certifique-se sempre de que a grelha de admissão de ar está instalada e não está danificada antes da utilização.
- Em caso de emergência, solte o cinto de cintura e o cinto do peito da correia e deixe o produto cair.
- Cumpra os regulamentos e diretivas nacionais.
- Mantenha todas as partes do corpo afastadas de superfícies quentes.
- Demasiada vibração pode causar problemas de circulação ou no sistema nervoso. Fale com o seu médico se apresentar sintomas como, por exemplo, entorpecimento, perda de sensibilidade, formigamento, pontadas, dor, perda de força ou alterações na cor da pele dos seus dedos, mãos ou pulsos.
- Tenha cuidado com a projeção de objetos. Os objetos projetados podem causar ferimentos graves.

- Não utilize o produto em condições meteorológicas desfavoráveis como, por exemplo nevoeiro, chuva, ventos fortes ou ambientes demasiado frios. Trabalhar em condições meteorológicas desfavoráveis pode provocar cansaço e condições perigosas.
- Certifique-se de que se pode mover e manter numa posição estável. Verifique a área de trabalho quanto a possíveis obstáculos como, por exemplo, pedras. Tenha cuidado se utilizar o produto num declive.
- Não coloque o produto no chão com o motor ligado.
- Não utilize o produto em locais elevados como, por exemplo, numa escada.
- Certifique-se de que pode sempre ser ouvido em caso de acidente.
- Certifique-se de que a saída dos gases de escape não está obstruída. Para evitar danos no produto, mantenha os obstáculos a uma distância mínima de 50 cm da saída dos gases de escape.
- Não ligue o produto em locais fechados, pouco ventilados ou próximo de material inflamável. Os gases de escape do motor contêm monóxido de carbono, o que pode causar envenenamento por monóxido de carbono. Os gases de escape do motor são quentes e podem conter faíscas que podem causar incêndios.

Equipamento de proteção pessoal



ATENÇÃO: Leia as instruções de aviso que se seguem antes de utilizar o produto.

- Utilize equipamento de proteção pessoal aprovado ao utilizar o produto. O equipamento de proteção pessoal não previne totalmente os ferimentos mas diminui a respetiva gravidade. Para mais informações, fale com o revendedor.
- Utilize protetores acústicos aprovados. A exposição prolongada a ruídos pode provocar danos auditivos permanentes.
- Utilize proteção ocular aprovada. Mesmo com viseira, é necessário utilizar óculos de proteção aprovados. É necessário que os óculos de proteção aprovados estejam em conformidade com a norma ANSI Z87.1 nos EUA ou a norma EN 166 nos países da UE.
- Utilize luvas de proteção durante a operação e manutenção.
- Utilize sapatos ou botas de proteção com solas antiderrapantes.
- Utilize vestuário de tecido resistente e comprido. Não utilize joias nem calçado aberto. Para diminuir o risco de ferimentos, o vestuário tem de ser justo, mas não pode limitar os seus movimentos. Coloque o cabelo acima dos ombros para evitar que este entre em peças rotativas ou que fique preso em ramos.
- Utilize proteção respiratória quando houver risco de poeira.

- Mantenha equipamentos de primeiros socorros sempre à mão.

Dispositivos de segurança no produto



ATENÇÃO: Leia as instruções de aviso que se seguem antes de utilizar o produto.

- Não utilize o produto com dispositivos de segurança defeituosos.
- Verifique regularmente os dispositivos de segurança. Consulte *Manutenção na página 246*.
- Se os dispositivos de segurança estiverem defeituosos, fale com o seu revendedor com assistência técnica Husqvarna.

Verificar o silenciador



ATENÇÃO: Não utilize um produto com um silenciador defeituoso.



ATENÇÃO: O silenciador aquece muito durante e após a utilização, e também à velocidade de ralenti. Use luvas de proteção para evitar queimaduras.



ATENÇÃO: O interior do silenciador contém produtos químicos potencialmente cancerígenos. Não toque no silenciador se este estiver danificado.

- Verifique visualmente o silenciador com regularidade. O silenciador mantém o mais baixo nível de ruído possível e afasta os gases de escape do utilizador. Consulte *Examinar e limpar o sistema de arrefecimento na página 248*.

Verificar o sistema antivibração

1. Certifique-se de que não existem fissuras nem deformações nas unidades antivibração.
2. Confirme que as unidades antivibração estão bem fixadas na unidade do motor e na unidade do punho.

Consulte *Vista geral do produto na página 240* para obter informações sobre a localização do sistema antivibração no produto.

Verificar o interruptor de arranque/paragem

1. Utilize o interruptor de arranque/paragem para parar o motor.
2. Certifique-se de que o motor para totalmente.

Para ver onde se encontra o interruptor start/stop no seu produto, consulte *Vista geral do produto na página 240*.

Segurança das correias de suporte

Utilize sempre a correia quando utilizar o produto. Se não utilizar a correia, não pode utilizar o produto em segurança. Isto poderá resultar em ferimentos para o utilizador ou para outras pessoas. Certifique-se de que o cinto de cintura e a correia de peito estão apertados e bem ajustados. Existe o risco de um cinto aberto entrar para a ventoinha do produto.

(Fig. 20)

Segurança no manuseamento do combustível



ATENÇÃO: Leia as instruções de aviso que se seguem antes de utilizar o produto.

- Não misture ou adicione o combustível em espaços interiores ou próximo de uma fonte de calor.
- Não ligue o produto se existir óleo ou combustível no produto ou no seu corpo.
- Não ligue o produto se o motor tiver uma fuga de combustível. Examine regularmente o motor quanto a fugas de combustível.
- Tenha sempre cuidado com o combustível. O combustível é inflamável e os gases do combustível são explosivos e podem causar ferimentos graves ou morte.
- Não respire os gases do combustível, podem causar ferimentos. Certifique-se de que existe um fluxo de ar suficiente.
- Não fume perto de combustível ou do motor.
- Não coloque o produto ou um recipiente de combustível próximo de objetos quentes, de uma chama aberta, de uma faísca ou de uma luz piloto.
- Utilize recipientes aprovados para o transporte e armazenamento de combustível.

Instruções de segurança para manutenção



ATENÇÃO: Leia as instruções de aviso que se seguem antes de utilizar o produto.

- Desligue o motor, retire a vela de ignição e deixe o motor arrefecer antes da manutenção e montagem.
- Uma rede retentora de faíscas obstruída faz com que o motor fique demasiado quente, o que provoca danos no motor.
- Se a rede retentora de faíscas estiver frequentemente obstruída, pode ser indicio de que o desempenho do catalisador está reduzido. Contacte o seu revendedor com assistência técnica para examinar o silenciador.

Montagem

Introdução



ATENÇÃO: Certifique-se de que lê e compreende o capítulo sobre segurança antes de montar o produto.

Montar o tubo do soprador e o punho de controlo no produto

Nota: Lubrifique os tubos e a mangueira flexível para facilitar a respetiva montagem.

1. Fixe a mangueira flexível (A) ao ângulo do tubo e ao tubo de controlo (B) com as abraçadeiras (C) e (D). (Fig. 21)

2. Fixe o suporte do punho (E) ao tubo de controlo. Alinhe o suporte do punho com o flange no tubo de controlo. (Fig. 22)
3. Ajuste a posição do punho de controlo para uma posição de trabalho segura e correta. Aperte o manipululo.
4. Fixe o cabo à mangueira flexível com o grampo do cabo. (Fig. 23)
5. Fixe o tubo intermédio no tubo de controlo. (Fig. 24)
6. Fixe o bocal do soprador ao tubo intermédio.

Nota: O bocal do soprador apenas pode ser instalado no tubo intermédio.

7. Para uma velocidade do ar mais elevada, fixe o bocal de alta velocidade ao bocal do soprador.

Funcionamento

Introdução



ATENÇÃO: Certifique-se de que lê e compreende o capítulo sobre segurança antes de usar o produto.

Índice de octanas inferior pode causar batimento do motor, o que provoca danos no motor.

Combustível

Este produto tem um motor de dois tempos.



CUIDADO: O tipo errado de combustível pode resultar em danos no motor. Utilize uma mistura de gasolina e óleo para motor de dois tempos.

Óleo para motores a dois tempos

- Para obter melhores resultados e desempenho, use o óleo para motor de dois tempos da Husqvarna.
- Se o óleo para motores de dois tempos da Husqvarna não estiver disponível, use um óleo para motores de dois tempos de boa qualidade destinado a motores arrefecidos a ar. Entre em contacto com o seu revendedor com assistência técnica para seleccionar o óleo correto.

Combustível previamente misturado

- Utilize combustível alquilado previamente misturado da Husqvarna para obter o melhor desempenho e prolongar a vida útil do motor. Este combustível contém substâncias químicas menos nocivas em comparação com o combustível normal, o que reduz os gases de escape nocivos. A quantidade de resíduos após a combustão é inferior com este combustível, o que mantém os componentes do motor mais limpos.



CUIDADO: Não use óleo para motores de dois tempos formulado para motores fora de borda arrefecidos a água, também conhecido como óleo para motores fora de borda. Não utilize óleo para motores a quatro tempos.

Para misturar o combustível

Gasolina

- Utilize gasolina sem chumbo de boa qualidade com um conteúdo de etanol de, no máximo, 10%.



CUIDADO: Não utilize gasolina com um índice de octanas inferior a 90 RON/87 AKI. A utilização de um

Misturar gasolina e óleo para motores de dois tempos

Gasolina, litros	Óleo para motor de dois tempos, litros
	2% (50:1)
5	0,10
10	0,20
15	0,30
20	0,40



CUIDADO: Ao misturar pequenas quantidades de combustível, existe o risco de pequenos erros poderem influenciar drasticamente a proporção da mistura. Meça cuidadosamente a quantidade de óleo e certifique-se de que obtém a mistura correta.

(Fig. 25)

1. Encha metade da quantidade de gasolina num recipiente limpo para combustível.
2. Adicione a quantidade total de óleo.
3. Agite bem a mistura de combustível.
4. Adicione a restante quantidade de gasolina ao recipiente.
5. Agite cuidadosamente a mistura de combustível.



CUIDADO: Não misture combustível para mais de 1 mês de cada vez.

Para encher o depósito de combustível



ATENÇÃO: Cumpra o procedimento que se segue para sua segurança.

1. Desligue o motor e deixe-o arrefecer.
2. Limpe bem à volta da tampa do depósito de combustível. (Fig. 26)
3. Agite ligeiramente o recipiente e certifique-se de que o combustível fica totalmente misturado.
4. Retire a tampa do depósito de combustível lentamente para libertar a pressão.
5. Encha o depósito de combustível.



CUIDADO: Certifique-se de que não existe demasiado combustível no respetivo depósito. O combustível expande-se quando fica quente.

6. Aperte com cuidado a tampa do depósito de combustível.
7. Limpe o combustível derramado sobre e à volta do produto.
8. Antes de ligar o motor, afaste o produto, no mínimo, 3 m/10 pés da fonte de combustível e do local de abastecimento.

Nota: Para ver onde se encontra o depósito de combustível no seu produto, consulte *Vista geral do produto na página 240*.

Arrancar com o motor frio



ATENÇÃO: É libertado ar assim que o motor é ligado, mesmo que este esteja em ralenti. Não permita que outras pessoas se aproximem do soprador ou do tubo do soprador.

1. Se o motor estiver frio, coloque o controlo do estrangulador (A) para a posição de estrangulação fechada. Consulte *Símbolos no produto na página 240*. (Fig. 27)
2. Prima a ampola da purga de ar (A) repetidamente, pelo menos, 10 vezes e o combustível começa a enchê-la. Não é necessário encher a ampola da purga de ar totalmente.
3. Coloque o acelerador na posição de ralenti rápido. Alinhe as marcas de guia na alavanca do acelerador e no punho de controlo. (Fig. 28)
4. Coloque o produto no chão, numa superfície plana.
5. Segure o produto com a mão esquerda e coloque o pé na plataforma. (Fig. 29)
6. Puxe o punho do cabo de arranque lentamente com a mão direita até sentir resistência.

Nota: Não puxe totalmente o punho do cabo de arranque e não o largue.

7. Puxe o punho do cabo de arranque rapidamente com a mão direita, no máximo 6 vezes, até o motor arrancar ou tentar arrancar. Se o motor arrancar, desloque a alavanca do estrangulador gradualmente para a posição aberta e avance para o passo 11. Se o motor não arrancar, avance para o passo 9.
8. Quando verificar que o motor tenta arrancar, desloque a alavanca do estrangulador gradualmente para a posição aberta.
9. Puxe o punho do cabo de arranque rapidamente com a mão direita, no máximo 6 vezes, até o motor arrancar.



Nota: Se o motor não arrancar, repita as instruções de arranque a partir do passo 1.

10. Deixe o motor a trabalhar durante 30 segundos.
11. Coloque o acelerador na posição de ralenti. (Fig. 30)
12. Pressione o acelerador para ajustar a velocidade do soprador. Consulte *Utilizar o acelerador na página 246*.

Arranque com o motor quente

- Se a temperatura ambiente for inferior a 32 °C/90 °F, siga o mesmo procedimento de arranque utilizado para *Arrancar com o motor frio na página 245*, mas não coloque o controlo do estrangulador na posição de estrangulação fechada.

- Se a temperatura ambiente for superior a 32 °C/ 90 °F, utilize o mesmo procedimento de arranque utilizado para *Arrancar com o motor frio na página 245*.

Utilizar o acelerador

- Para aumentar a velocidade do soprador durante o funcionamento, pressione o acelerador até obter a velocidade correta. (Fig. 31)
- Para diminuir a velocidade do soprador durante o funcionamento, solte o acelerador até obter a velocidade correta.

Para arrancar o motor quando o combustível está demasiado quente

Se o produto não arrancar, o combustível pode estar demasiado quente.

Nota: Utilize sempre combustível novo e reduza as horas de funcionamento durante o tempo quente.

1. Coloque o produto num local fresco sem exposição à luz solar direta.
2. Deixe o produto arrefecer durante, no mínimo, 20 minutos.
3. Prima novamente a ampola da purga de ar durante 10-15 segundos.
4. Siga o procedimento de arranque a frio. Consulte *Arrancar com o motor frio na página 245*.

Utilizar o produto

- Utilize o produto nas horas de trabalho habituais. Respeite os regulamentos locais.
- Diminua as peças de equipamento e selecione a velocidade correta para a sua tarefa. Utilize o acelerador na posição mais baixa possível para evitar ruídos e poeira desnecessários.

- Mantenha o bocal do soprador próximo do solo.

Nota: A Husqvarna recomenda a utilização do bocal do soprador na sua extensão máxima.

- Tome nota da direção do vento e utilize o produto nessa direção.
- Utilize ferramentas de jardim aplicáveis para libertar o material do solo.
- Em áreas com pó, utilize equipamento de pulverização para humedecer a área. Tal diminui o tempo de funcionamento.
- Após a utilização, armazene o produto na vertical.

Desligar o produto



CUIDADO: Não pare o produto quando este estiver na velocidade máxima.

1. Prima o interruptor de paragem. (Fig. 32)

Nota: Quando o produto parar, pode ouvir um som de batida. Isto é comum e não é uma indicação de um produto defeituoso.

Ajustar a correia

1. Coloque a correia do produto.
2. Coloque o cinto de cintura à volta da cintura e ligue a fivela do cinto à correia de cintura. (Fig. 33)
3. Aperte a correia do cinto de cintura. (Fig. 34)
4. Ligue a fivela do cinto à correia de peito. (Fig. 35)
5. Ajuste a posição da correia de peito. (Fig. 36)
6. Aperte a correia de peito. (Fig. 37)
7. Aperte as correias de ombro até que o produto esteja justo ao seu corpo. (Fig. 38)
8. Aperte as correias do elevador de carga. (Fig. 39)

Manutenção

Introdução



ATENÇÃO: Certifique-se de que leu e compreendeu o capítulo sobre segurança

antes de realizar tarefas de manutenção no produto.

Esquema de manutenção

Manutenção	Diaria-mente	Semanal-mente	Mensal-mente
Limpe as superfícies externas.	X		
Certifique-se de o punho de controlo funciona corretamente.	X		

Manutenção	Diariamente	Semanalmente	Mensalmente
Certifique-se de que o interruptor start/stop funciona corretamente. Consulte <i>Verificar o interruptor de arranque/paragem na página 243.</i>	X		
Examine o motor, o depósito de combustível e os tubos de combustível quanto a fugas. Verifique a existência de contaminação no filtro de combustível. Se necessário, substitua o filtro de combustível.	X		
Limpe o filtro de ar. Substitua o filtro de ar, se necessário.	X		
Aperte as porcas e os parafusos.	X		
Examine a admissão de ar e certifique-se de que não está bloqueada.	X		
Verifique o dispositivo de arranque e a corda de arranque quanto a danos.		X	
Examine as unidades antivibração quanto à existência de danos, fissuras e deformações. Certifique-se de que as unidades antivibração se encontram corretamente instaladas.		X	
Examine a vela de ignição. Consulte <i>Verificar a vela de ignição na página 247.</i>		X	
Limpe o sistema de arrefecimento.		X	
Limpe a superfície exterior do carburador e a área circundante.		X	
Limpe o depósito de combustível.			X
Examine todos os cabos e ligações.			X
Examine e limpe a rede retentora de faíscas do silenciador (para produtos sem catalisador).		X	
Examine e limpe a rede retentora de faíscas do silenciador (para produtos com catalisador).			X
Examine a vela de ignição. Substitua, se necessário.			X

Ajustar o ralenti

1. Certifique-se de que o filtro de ar está limpo e de que a abertura do filtro de ar está instalada.
2. Ajuste o ralenti com o parafuso do ralenti. Para ver onde se encontra o parafuso do ralenti no seu produto, consulte *Vista geral do produto na página 240.*

Verificar a vela de ignição



CUIDADO: Utilize a vela de ignição recomendada. Consulte *Especificações técnicas na página 250.* Uma vela de ignição incorreta pode causar danos ao produto.

1. Desligue o motor e deixe o produto arrefecer.
2. Limpe a vela de ignição se estiver suja.
3. Certifique-se de que a distância entre os elétrodos está correta. Consulte *Especificações técnicas na página 250.* (Fig. 40)

4. Substitua a vela de ignição uma vez por mês ou mais frequentemente se necessário.

Efetuar a manutenção do silenciador



CUIDADO: Se a rede retentora de faíscas estiver frequentemente obstruída, pode ser indicio de que o desempenho do catalisador está reduzido. Contacte o seu revendedor com assistência técnica para examinar o silenciador. Uma rede retentora de faíscas obstruída provoca sobreaquecimento, danificando o cilindro e o pistão.



CUIDADO: A rede retentora de faíscas tem de ser substituída se estiver danificada. Não utilize o produto se o silenciador não tiver uma rede retentora de faíscas ou se esta estiver defeituosa.

- Limpe a rede retentora de faíscas do silenciador. Utilize uma escova metálica. (Fig. 41)

- Após 50 horas de funcionamento, um revendedor com assistência técnica deve efetuar a manutenção ou a substituição do silenciador e da rede retentora de faíscas.

Examinar e limpar o sistema de arrefecimento

O sistema de arrefecimento inclui as aletas de arrefecimento no cilindro e na grelha de admissão de ar.

1. Desligue o motor.
2. Certifique-se de que o sistema de arrefecimento não está sujo ou obstruído. Se necessário, limpe a grelha de admissão de ar e as aletas de arrefecimento.



CUIDADO: Se o sistema de arrefecimento estiver sujo ou obstruído, a temperatura do motor pode aumentar, causando danos no produto. Se a grelha de admissão de ar estiver obstruída, a força de sopro diminui.

3. Verifique o sistema de arrefecimento quanto à existência de danos. Certifique-se de que as peças estão corretamente instaladas no produto.

Para limpar o filtro de ar



CUIDADO: Não utilize o produto sem um filtro de ar montado ou com um filtro de ar danificado. A poeira no ar pode causar danos no motor.

1. Empurre o controlo do estrangulador para a posição fechada.
2. Retire a cobertura do filtro de ar (A).
3. Retire o pré-filtro (B) da cobertura do filtro de ar. (Fig. 42)
4. Retire o filtro de ar (C) da estrutura do filtro.
5. Limpe o pré-filtro e o filtro de ar com água quente e sabão.

Nota: Um filtro de ar que tenha sido utilizado durante muito tempo não pode ser limpo totalmente. Substitua o filtro de ar regularmente e substitua sempre um filtro de ar com defeito.

6. Limpe a superfície interna da cobertura do filtro de ar (A) com uma escova.
7. Coloque o filtro de ar na estrutura do filtro.
8. Fixe o pré-filtro na cobertura do filtro de ar.
9. Fixe a cobertura do filtro de ar no produto.

Resolução de problemas

Não é possível ligar o motor		
Verificação	Causa possível	Solução
Prendedores de arranque.	Prendedores de arranque bloqueados ou gastos.	Ajuste ou substitua o(s) prendedor(es) do dispositivo de arranque.
		Limpe a área em redor do(s) prendedor(es) do dispositivo de arranque.
		Contacte um revendedor com assistência técnica aprovado.
Depósito de combustível.	Tipo de combustível errado.	Drene o depósito de combustível e utilize o combustível correto.
Carburador.	Ajuste do ralenti.	Ajuste o ralenti com o parafuso de ajuste do ralenti.

Não é possível ligar o motor		
Verificação	Causa possível	Solução
Fáscia (ausência de fáscia).	A vela de ignição está suja ou molhada.	Certifique-se de que a vela de ignição está seca e limpa.
	A distância entre os elétrodos na vela de ignição está incorreta.	Limpe a vela de ignição. Certifique-se de que a distância entre os elétrodos está correta.
		Consulte as especificações técnicas para obter a distância correta entre os elétrodos.
Vela de ignição.	A vela de ignição está solta.	Aperte a vela de ignição.
	Existem materiais indesejados nos elétrodos da vela de ignição.	Certifique-se de que a mistura de combustível está correta.
		Certifique-se de que o filtro de ar está limpo.

O motor arranca mas para novamente		
Verificação	Causa possível	Solução
Depósito de combustível.	Tipo de combustível errado.	Drene o depósito de combustível e utilize o combustível correto.
Carburador.	O motor não funciona corretamente ao ralenti.	Contacte o seu revendedor com assistência técnica.
Filtro de ar.	Filtro de ar entupido.	Limpe o filtro de ar.

Transporte e armazenamento

Transporte e armazenamento



ATENÇÃO: Para evitar o risco de incêndio, certifique-se de que não existem fugas nem vapores de combustível durante o transporte ou armazenamento. Certifique-se de que não existe risco de faíscas ou incêndio.

- Esvazie o depósito de combustível antes do transporte ou de armazenamento a longo prazo. Empurre a ampola de purga de ar para se certificar de que todo o combustível é retirado. Elimine o combustível numa localização de eliminação aplicável.
- Certifique-se de que o produto está limpo e de que é realizada uma manutenção completa antes de o armazenar por um período de tempo prolongado.
- Retire a vela de ignição e coloque aproximadamente 15 ml de óleo para motores de dois tempos no cilindro. Rode o produto 3 vezes e volte a instalar a vela de ignição.
- Fixe o produto ao veículo em segurança durante o transporte.
- Coloque o produto num local seco, fresco e limpo que tenha um fluxo de ar adequado. Mantenha o produto afastado de crianças.

Especificações técnicas

Especificações técnicas

	Husqvarna 345BT (BP152HV)
Motor	
Cilindrada, cm ³	51,7
Velocidade ao ralenti, rpm	2800
Conversor catalítico	Sim
Sistema de ignição	
Vela de ignição	NGK BPMR7A/Champion RCJ6Y
Distância entre os eletrodos, mm	0,6-0,7
Binário da vela de ignição, Nm	25-30
Sistema de lubrificação e combustível	
Capacidade do depósito de combustível, l/cm ³	1,0/1000
Peso	
Peso sem combustível, kg	10,0
Emissões de ruído ⁵⁸	
Nível de potência sonora, dB(A) medidos	110
Nível de potência sonora, garantido L _{WA} dB (A)	113
Níveis acústicos ⁵⁹	
Nível de pressão sonora equivalente, ao nível do ouvido do utilizador, medido de acordo com a norma EN15503, dB (A):	
Equipado com bocal do soprador (original)	101
Níveis de vibração ⁶⁰	
Níveis de vibração equivalentes (a _{hv,eq}) nos punhos, medidos de acordo com a norma EN 15503, m/s ²	6,1
Rendimento do ventilador	
Velocidade máx. do ar com bocal de alta velocidade, m/s	98,3
Fluxo de ar sem bocal de alta velocidade, m ³ /min	13,9

⁵⁸ Emissões de ruído para as imediações, medidas sob forma de potência sonora (L_{WA}) em conformidade com a diretiva da CE 2000/14/CE. O nível de potência sonora registado para a máquina foi medido com o acessório de corte original que debita o nível mais alto. A diferença entre a potência sonora garantida e medida é que a potência sonora garantida inclui também a dispersão no resultado da medição e as variações entre diferentes máquinas do mesmo modelo, de acordo com a diretiva 2000/14/CE.

⁵⁹ Os dados comunicados relativamente ao nível de pressão de ruído têm uma dispersão estatística típica (desvio padrão) de 3,0 dB (A).

⁶⁰ Os dados comunicados relativamente ao nível de vibração têm uma dispersão estatística típica (desvio padrão) de 1,5 m/s².

Declaração CE de conformidade

Declaração de conformidade CE

A Husqvarna AB, SE 561 82 Huskvarna, SUÉCIA, declara, sob sua inteira responsabilidade, que o produto representado:

Descrição	Soprador-aspirador/soprador a gasolina
Marca	Husqvarna
Plataforma/Tipo/Modelo	Plataforma BP152HV, representando o modelo 345BT.
Lote	Número de série referente a 2022 e posteriores.

está em plena conformidade com as seguintes diretivas e regulamentos da UE:

Diretiva/Regulamento	Descrição
2006/42/CE	"relativa a máquinas"
2014/30/UE	"relativa à compatibilidade eletromagnética"
2000/14/CE	"relativa ao ruído exterior"
2011/65/UE	"restrição do uso de determinadas substâncias perigosas"

As normas harmonizadas e/ou especificações técnicas aplicadas são as seguintes: EN ISO 12100:2010, EN 15503:2009+A2, CISPR 12:2007, EN ISO 14982:2009, EN IEC 63000:2018, EN IEC 63000:2018

Em conformidade com a diretiva 2000/14/CE, Anexo VI, os valores de som declarados são indicados na secção de especificações técnicas deste manual.

A TÜV Rheinland executou um controlo voluntário em nome da Husqvarna AB, de modo a fornecer o certificado AM 50391742 - Certificado de conformidade

com a diretiva 2006/42/CE do Conselho da CE referente a máquinas.

O certificado é aplicável a todos os locais de fabrico e países de origem, conforme indicado no produto.

O soprador/soprador-aspirador a gasolina fornecido está em conformidade com o exemplo que foi examinado.

Em nome de Husqvarna AB, SE-561 82 Huskvarna, SUÉCIA,



Pär Martinsson

Responsável pela documentação técnica



CUPRINS

Introducere.....	252	Depanarea.....	260
Siguranță.....	253	Transportul și depozitarea.....	261
Asamblarea.....	256	Date tehnice.....	262
Funcționarea.....	256	Declarație de conformitate CE.....	263
Întreținerea.....	258		

Introducere

Descrierea produsului

Acest produs este o suflantă portabilă de tip rucsac cu motor cu combustibil.

Avem o politică de îmbunătățire continuă a produselor și, prin urmare, ne rezervăm dreptul de a modifica proiectul și aspectul produselor fără preaviz.

Prezentarea generală a produsului

(Fig. 1)

1. Maneta de control a accelerației
2. Cadru
3. Ham
4. Capac motor
5. Capac ventilator
6. Filtru pentru priză de aer
7. Filtru de aer
8. Mâner pentru șnurul de pornire
9. Rezervor de carburant
10. Centură pentru mijloc
11. Bujie
12. Sistem amortizare vibrații
13. Acționare șoc
14. Mânerul de control
15. Comutator de oprire cu control de accelerație
16. Pârghie accelerație
17. Cot tub
18. Colier
19. Furtun flexibil
20. Țeavă de control
21. Clemă cablu
22. Țeavă intermediară
23. Duză de suflantă
24. Manualul operatorului
25. Cheie combinată
26. Buton purjor aer
27. Duză pentru viteză mare
28. Șurub de reglare a mersului în gol
29. Ventilator
30. Placă pentru picior

Domeniul de utilizare

Utilizați produsul pentru a sufla frunze și alte materiale nedorite din zone precum gazoane, alei și drumuri asfaltate.

Simbolurile de pe produs

- (Fig. 2) **AVERTISMENT!** Acest produs poate fi periculos și poate cauza vătămări corporale grave sau decesul operatorului sau al altor persoane. Acționați cu grijă și utilizați corect produsul.
- (Fig. 3) Citiți cu atenție manualul operatorului și asigurați-vă că înțelegeți instrucțiunile înainte de utilizare.
- (Fig. 4) Utilizați protecția de auz și ochelarii de protecție aprobați. Dacă mediul conține praf, folosiți o mască respiratorie.
- (Fig. 5) Folosiți mănuși de protecție omologate în timpul utilizării și întreținerii. Utilizați cizme sau pantofi de protecție cu tălpi anti-alunecare. Utilizați îmbrăcăminte lungă, dintr-un material rezistent.
- (Fig. 6) Asigurați-vă că părul lung este strâns deasupra umerilor.
- (Fig. 7) Nu purtați bijuterii sau haine largi în timpul utilizării.
- (Fig. 8) Amestec de benzină și ulei pentru motoare în doi timpi.
- (Fig. 9) Buton purjor.
- (Fig. 10) Nu apropiați părțile corpului de suprafețele fierbinți.

- (Fig. 11) Nu vă apropiați de rotor în timpul funcționării.
- (Fig. 12) Clapetă de șoc, poziție deschisă.
- (Fig. 13) Clapetă de șoc, poziție închisă.
- (Fig. 14) Șurub de reglare a mersului în gol.
- (Fig. 15) Acest produs respectă directivele CE aplicabile.
- (Fig. 16) Acest produs este în conformitate cu reglementările aplicabile din Regatul Unit.
- (Fig. 17) Emisiile de zgomot în mediu, conform Directivei Europene 2000/14/CE și a Regulamentului New South Wales din 2017 privind operațiunile de protecție a mediului (controlul zgomotului). Datele privind emisiile de zgomot pot fi găsite pe eticheta utilajului și la capitolul Date tehnice.
- (Fig. 18) Fiți atent la obiectele proiectate. Obiectele proiectate pot provoca vătămări corporale grave. Utilizați echipament individual de protecție.

(Fig. 19)

aaaaassxxxx

Păstrați o distanță de siguranță de minimum 15 m de persoane și animale.

Plăcuța de identificare sau imprimarea laser indică numărul de serie. **aaaa** este anul fabricației și **ss** este săptămâna fabricației.

Nota: Alte simboluri/autocolante de pe produs se referă la cerințele de certificare pentru alte zone comerciale.

Răspunderea pentru produs

Conform prevederilor legislației privind răspunderea pentru produs, nu ne asumăm răspunderea pentru daunele cauzate de produsul nostru dacă:

- produsul este reparat necorespunzător;
- produsul este reparat cu piese care nu provin de la producător sau care nu sunt aprobate de acesta;
- produsul are un accesoriu care nu provine de la producător sau care nu este aprobat de acesta;
- produsul nu este reparat la un centru de service omologat sau de o autoritate omologată;

Siguranță

Definiții privind siguranța

Definițiile de mai jos indică nivelul de gravitate pentru fiecare cuvânt de semnalizare.



AVERTISMENT: Vătămări corporale.



ATENȚIE: Deteriorarea produsului.

Nota: Aceste informații facilitează utilizarea produsului.

Instrucțiuni generale de siguranță



AVERTISMENT: Înainte de a utiliza produsul, citiți instrucțiunile de avertizare de mai jos.

- Nu efectuați modificări la produs fără aprobarea producătorului și utilizați întotdeauna accesorii originale. Modificările și/sau accesoriile care nu sunt aprobate pot duce la vătămări corporale grave sau la decesul operatorului sau al altor persoane.
- Nu utilizați un produs deteriorat. Efectuați inspecțiile de siguranță și operațiile de întreținere indicate în acest manual al operatorului. Toate celelalte lucrări de întreținere trebuie efectuate de către personal de service aprobat.
- Toate lucrările de service și reparații trebuie efectuate de personal de service aprobat. Dacă o componentă a produsului este defectă, adresați-vă reprezentantului dvs. de service.

Siguranță vibrație

Acest produs este destinat doar pentru utilizare ocazională. Utilizarea continuă sau regulată a produsului poate cauza simptomul de „degete albe” sau alte probleme de natură medicală din cauza vibrațiilor. Examinați starea mâinilor și degetelor dacă utilizați produsul în mod continuu sau regulat. Dacă mâinile sau degetele s-au decolorat, vă dor, simțiți furnicături sau sunt amorțite, încetați lucrul și contactați imediat un medic.

Instrucțiuni de siguranță pentru utilizare



AVERTISMENT: Înainte de a utiliza produsul, citiți instrucțiunile de avertizare de mai jos.

- Acest produs poate fi periculos și poate cauza vătămări corporale grave sau decesul operatorului sau al altor persoane. Acționați cu grijă și utilizați corect produsul.
- Efectuați o inspecție a produsului înainte de utilizare. Consultați *Întreținerea la pagina 258*.
- Nu utilizați produsul atunci când sunteți obosit, bolnav sau dacă ați consumat alcool sau droguri care vă pot afecta capacitatea vizuală, capacitatea de a gândi rațional sau coordonarea.
- Instalați toate capacele și apărătoarele înainte de utilizare. Pentru prevenirea șocurilor electrice, asigurați-vă că de integritatea capacului bujei și a cablului de alimentare a aprinderii.
- Nu atingeți bujia sau cablul de alimentare a aprinderii în timp ce motorul este în funcțiune.
- Păstrați o distanță de siguranță de minimum 15 m de persoane și animale. Dacă persoanele sau animalele se apropie la mai puțin de 15 m de produs, opriți-l. Orientați produsul în direcție opusă persoanelor, animalelor, ferestrelor deschise și altor obiecte.
- Nu permiteți copiilor să utilizeze produsul. Asigurați-vă că toți operatorii citesc și înțeleg conținutul acestui manual de utilizare.
- Țineți mâinile și alte obiecte la distanță de suflanta în timpul funcționării. Piesele rotative pot provoca vătămări corporale grave.
- Nu utilizați produsul dacă filtrul pentru priza de aer nu este instalat. Înainte de utilizare, asigurați-vă întotdeauna că filtrul pentru priza de aer este instalat și nu prezintă deteriorări.
- În caz de urgență, eliberați curea pentru mijloc și curea pentru piept ale hamului și lăsați produsul să cadă.
- Respectați reglementările și directivele naționale.
- Nu apropiați părțile corpului de suprafețele fierbinți.
- Vibrațiile excesive pot afecta sistemul circulator sau nervos. Discutați cu medicul dacă aveți simptome, de exemplu, amorțeală, pierderea sensibilității tactile, furnicăături, înțepături, durere, pierderea forței sau modificări ale culorii pielii la degete, mâini sau încheieturi.
- Fiți atenți la obiectele proiectate. Obiectele proiectate pot provoca vătămări corporale grave.
- Nu utilizați produsul în condiții de vreme nefavorabilă, precum ceață, ploaie, vânt puternic sau frig intens. Activitatea în condiții dificile poate conduce la oboseală și poate genera situații periculoase.
- Asigurați-vă că vă puteți deplasa și că vă puteți menține într-o poziție stabilă. Efectuați o verificare a suprafeței de lucru pentru a detecta posibile

obstacole, de ex., stânci. Procedați cu atenție atunci când utilizați produsul în pantă.

- Nu așezați produsul pe sol când motorul este pornit.
- Nu operați produsul din poziții înalte, de ex., de pe o scară.
- Asigurați-vă că puteți fi întotdeauna auzit în cazul producerii unui accident.
- Asigurați-vă că orificiul de evacuare a gazelor de eșapament nu este blocat. Pentru a preveni deteriorarea produsului, obstacolele trebuie să se afle la o distanță de minimum 50 cm de orificiul de evacuare a gazelor de eșapament.
- Nu porniți produsul în interior, în condiții de flux de aer insuficient sau în apropierea unor materiale inflamabile. Gazele de eșapament conțin monoxid de carbon, care poate duce la intoxicație cu monoxid de carbon. Gazele de eșapament sunt fierbinți și pot conține scântei care pot declanșa incendii.

Echipament de protecție personală



AVERTISMENT: Înainte de a utiliza produsul, citiți instrucțiunile de avertizare de mai jos.

- Utilizați echipamente omologate de protecție personală atunci când folosiți produsul. Echipamentele de protecție personală nu pot elimina complet riscul de vătămare, însă pot reduce gravitatea vătămarilor. Adresați-vă distribuitorului pentru informații suplimentare.
- Utilizați un sistem omologat de protecție a auzului. Expunerea pe termen lung la zgomot poate avea ca rezultat deteriorarea ireversibilă a auzului.
- Utilizați ochelari de protecție omologați. Dacă utilizați un vizor de protecție, trebuie să purtați și ochelari de protecție. Ochelarii de protecție trebuie să fie conformi cu standardul ANSI Z87.1 în S.U.A. sau EN 166 în țările din UE.
- Utilizați mănuși de protecție în timpul operării și întreținerii.
- Utilizați cizme sau pantofi de protecție cu tălpi anti-alunecare.
- Utilizați îmbrăcăminte lungă, dintr-un material rezistent. Nu utilizați bijuterii sau pantofi decupați. Pentru a reduce riscul de vătămare corporală, hainele trebuie să fie strânse pe corp, dar să nu vă limiteze mișcările. Strângeți părul deasupra umerilor, pentru a preveni pătrunderea acestuia în piesele în mișcare sau prinderea în ramuri.
- Utilizați protecție respiratorie când există pericolul de generare a prafului.
- Păstrați echipamentul de prim ajutor în apropiere.

Dispozitivele de siguranță de pe produs



AVERTISMENT: Înainte de a utiliza produsul, citiți instrucțiunile de avertizare de mai jos.

- Nu utilizați un produs cu dispozitive de siguranță deteriorate.
- Verificați regulat dispozitivele de siguranță. Consultați *Întreținerea la pagina 258*.
- Dacă dispozitivele de siguranță sunt defecte, adresați-vă reprezentantului de service Husqvarna.

Verificarea amortizorului de zgomot



AVERTISMENT: Nu utilizați un produs cu amortizor de zgomot deteriorat.



AVERTISMENT: Amortizorul de zgomot devine foarte fierbinte în timpul utilizării și după utilizare, precum și la turație de mers la ralanti. Utilizați mănuși de protecție pentru a preveni vătămrile prin arsuri.



AVERTISMENT: Partea interioară a amortizorului de zgomot conține substanțe chimice care pot fi cancerigene. Nu atingeți amortizorul de zgomot dacă este deteriorat.

- Inspectați vizual periodic amortizorul de zgomot. Amortizorul de zgomot este proiectat pentru a reduce la minimum nivelul de zgomot și a dirija gazele de eșapament departe de utilizator. Consultați *Pentru a examina și curăța sistemul de răcire la pagina 260*.

Pentru a verifica sistemul de amortizare a vibrațiilor

1. Asigurați-vă că nu există crăpături sau deformări pe unitățile de amortizare a vibrațiilor.
2. Asigurați-vă că unitățile de amortizare a vibrațiilor sunt atașate corect de motor și mâner.

Consultați *Prezentarea generală a produsului la pagina 252* pentru informații despre locul în care sistemul de amortizare a vibrațiilor se află pe produsul dvs.

Verificarea comutatorului de pornire/oprire

1. Utilizați comutatorul de pornire/oprire pentru a opri motorul.
2. Asigurați-vă că motorul s-a oprit complet.

Pentru a vedea unde se află comutatorul de pornire/oprire pe produsul dvs., consultați *Prezentarea generală a produsului la pagina 252*.

Siguranța cablajului

Folosiți întotdeauna hamul când utilizați produsul. Fără ham, nu puteți utiliza produsul în siguranță. Utilizarea

fără ham poate provoca accidentarea dvs. sau a altor persoane. Verificați dacă ați fixat și reglat corect cureaua pentru mijloc și pe cea pentru piept. Există riscul ca o curea neînchisă să se prindă în ventilatorul produsului.

(Fig. 20)

Reguli de siguranță referitoare la carburant



AVERTISMENT: Înainte de a utiliza produsul, citiți instrucțiunile de avertizare de mai jos.

- Nu amestecați și nu adăugați carburant în interior sau lângă o sursă de încălzire.
- Nu porniți produsul dacă vărsați combustibil sau ulei pe produs sau pe corp.
- Nu porniți produsul dacă motorul prezintă scurgeri de combustibil. Examinați cu regularitate motorul, pentru a identifica eventuale scurgeri de combustibil.
- Manipulați întotdeauna cu atenție combustibilul. Combustibilul este inflamabil, iar vaporii de combustibil sunt explozivi și pot cauza vătămări corporale grave sau deces.
- Nu respirați vaporii de carburant, se pot produce vătămări corporale. Asigurați-vă că fluxul de aer este suficient.
- Nu fumați în apropierea carburantului sau a motorului.
- Nu poziționați produsul sau rezervorul de carburant în apropierea unor obiecte calde, a unei flăcări deschise, a scânteilor sau a unei lumini pilot.
- Utilizați întotdeauna recipiente omologate pentru depozitarea și transportarea combustibilului.

Instrucțiuni de siguranță pentru întreținere



AVERTISMENT: Înainte de a utiliza produsul, citiți instrucțiunile de avertizare de mai jos.

- Opriți motorul, demontați bujia și lăsați motorul să se răcească înainte de întreținere și asamblare.
- O sită parascântei blocată determină încălzirea excesivă a motorului, ceea ce cauzează deteriorarea motorului.
- Dacă sita parascântei se înfundă frecvent, acesta poate fi un semn că performanța convertorului catalitic este afectată. Contactați atelierul de service pentru a examina amortizorul de zgomot.

Asamblarea

Introducere



AVERTISMENT: Citiți și înțelegeți capitolul referitor la siguranță înainte de asamblarea produsului.

Pentru a asambla țeava suflantei și mânerul de control al produsului

Nota: Lubrifiați tuburile și furtunul flexibil pentru a le face mai ușor de asamblat.

1. Montați furtunul flexibil (A) pe cotul tubului și țeava de control (B) cu clemele (C) și (D). (Fig. 21)
2. Montați suportul de mâner (E) pe țeava de control. Aliniați suportul de mâner cu flanșa țevii de control. (Fig. 22)

3. Reglați mânerul de control astfel încât să aibă o poziție de lucru sigură și corectă. Strângeți butonul.
4. Montați cablul pe furtunul flexibil, cu ajutorul clemei de cablu. (Fig. 23)
5. Cuplați țeava intermediară la țeava de control. (Fig. 24)
6. Montați duza suflantei pe țeava intermediară.

Nota: Duza suflantei poate fi instalată numai pe țeava intermediară.

7. Pentru o viteză mai mare a aerului, atașați la suflantă duza pentru viteză mare.

Funcționarea

Introducere



AVERTISMENT: Citiți și înțelegeți capitolul referitor la siguranță înainte de utilizarea produsului.

Carburant

Acest produs dispune de motor în doi timpi.



ATENȚIE: Tipul incorect de carburant poate deteriora motorul. Utilizați un amestec de benzină și de ulei pentru motoare în doi timpi.

Carburant preamestecat

- Utilizați carburantul alchilat preamestecat Husqvarna pentru cele mai bune performanțe și prelungirea duratei de viață a motorului. Acest carburant conține substanțe chimice mai puțin nocive în comparație cu carburantul obișnuit, ceea ce reduce nivelul gazelor de eșapament nocive. Cantitatea de resturi după ardere este mai mică în cazul acestui carburant, care păstrează componentele motorului mai curate.

Pentru amestecarea carburantului

Benzină

- Utilizați benzină fără plumb de calitate cu un conținut maxim de 10% etanol.



ATENȚIE: Nu utilizați benzină cu o cifră octanică mai mică de 90 RON/87 AKI. Utilizarea unui carburant cu o cifră octanică inferioară poate provoca bătăi la motor, ceea ce duce la defectarea motorului.

Ulei pentru motoare în doi timpi

- Pentru cele mai bune rezultate și performanțe, utilizați uleiul pentru motoare în doi timpi Husqvarna.
- Dacă uleiul Husqvarna pentru motoare în doi timpi nu este disponibil, utilizați un ulei pentru motoare în doi timpi de bună calitate pentru motoare răcite cu aer. Adresați-vă reprezentantului dvs. de service pentru a alege uleiul corect.



ATENȚIE: Nu utilizați ulei pentru motoare în doi timpi răcit pentru motoarele externe răcite cu apă, numit și ulei pentru motoare externe. Nu folosiți ulei pentru motoare în patru timpi.

Amestecarea benzinei cu ulei pentru motoare în doi timpi

Benzină, litru	Ulei pentru motoare în doi timpi, litru
	2% (50:1)
5	0,10

10	0,20
15	0,30
20	0,40



ATENȚIE: Micile erori pot să influențeze drastic raportul amestecului atunci când amestecați cantități mici de carburant. Măsurați cu grijă cantitatea de ulei și asigurați-vă că obțineți amestecul corect.

(Fig. 25)

1. Umpleți jumătate din cantitatea de benzină într-un recipient curat pentru combustibil.
2. Adăugați cantitatea completă de ulei.
3. Agitați amestecul.
4. Adăugați în recipient cantitatea de benzină rămasă.
5. Agitați cu grijă amestecul.



ATENȚIE: Nu amestecați carburantul pentru mai mult de 1 lună la un moment dat.

Umplerea rezervorului de carburant



AVERTISMENT: Respectați procedura următoare pentru propria siguranță.

1. Oprii motorul și lăsați motorul să se răcească.
2. Curățați suprafața din jurul capacului rezervorului de carburant. (Fig. 26)
3. Agitați recipientul și asigurați-vă că amestecarea carburantului s-a efectuat corespunzător.
4. Scoateți încet capacul rezervorului de carburant, pentru a elibera presiunea.
5. Umpleți rezervorul de carburant.



ATENȚIE: Verificați să nu existe prea mult carburant în rezervorul de carburant. Carburantul se dilată atunci când se încălzește.

6. Strângeți cu atenție capacul rezervorului de carburant.
7. Curățați excesul de carburant de pe produs și din jurul acestuia.
8. Îndepărtați produsul la cel puțin 3 m/10 ft de zona de realimentare și de sursa de carburant înainte de a porni motorul.

Nota: Pentru a vedea unde se află rezervorul de carburant pe produsul dvs., consultați *Prezentarea generală a produsului la pagina 252*.

Pornirea unui motor rece



AVERTISMENT: Aerul este eliberat imediat ce pornește motorul, chiar și când merge la ralanti. Nu permiteți nimănui să stea în apropierea suflantei sau a tubului acesteia.

1. Dacă motorul este rece, împingeți dispozitivul de acționare a șocului (A) în poziția închisă. Consultați *Simbolurile de pe produs la pagina 252*. (Fig. 27)
2. Apăsați de cel puțin 10 ori balonul purjorului de aer (B), până când combustibilul începe să curgă în balon. Nu este necesar să umpleți complet butonul purjorului.
3. Deplasați controlul accelerației în poziția de mers la ralanti rapid. Aliniați marcasele de ghidare de pe maneta de control al accelerației și mânerul de control. (Fig. 28)
4. Poziționați produsul pe o suprafață plană pe sol.
5. Țineți produsul cu mâna stângă și poziționați piciorul pe placa pentru picior. (Fig. 29)
6. Trageți încet de mânerul șnurului de pornire cu mâna dreaptă, până când opune rezistență.

Nota: Nu trageți complet mânerul șnurului de pornire și nu-i dați drumul.

7. Trageți repede de mânerul șnurului de pornire cu mâna dreaptă până când motorul pornește sau încearcă să pornească, de maximum 6 ori. Dacă motorul pornește, deplasați treptat maneta de șoc spre poziția deschisă și continuați cu pasul 11. Dacă motorul nu pornește, continuați cu pasul 9.
8. Când motorul încearcă să pornească, deplasați treptat maneta de șoc spre poziția deschisă.
9. Trageți repede de mânerul șnurului de pornire cu mâna dreaptă până când motorul pornește, de maximum 6 ori.



Nota: Dacă motorul nu pornește, repetați instrucțiunile de pornire, începând cu pasul 1.

10. Lăsați motorul să funcționeze timp de 30 secunde.
11. Deplasați controlul accelerației la turația de mers la ralanti. (Fig. 30)
12. Împingeți pârghia de accelerație pentru a regla turația suflantei. Consultați *Utilizarea pârghiei de accelerație la pagina 258*.

Pornirea unui motor cald

- Dacă temperatura ambiantă este mai mică de 32°C/90°F, utilizați aceeași procedură de pornire ca pentru *Pornirea unui motor rece la pagina 257*, dar nu deplasați dispozitivul de acționare a șocului în poziția închisă.

- Dacă temperatura ambiantă este mai mare de 32°C/ 90°F, utilizați aceeași procedură de pornire ca pentru *Pornirea unui motor rece la pagina 257.*

Utilizarea pârgăhiei de accelerație

- Pentru a mări turația suflantei în timpul funcționării, împingeți pârgăhia de accelerație până când obțineți turația corectă. (Fig. 31)
- Pentru a reduce turația suflantei în timpul funcționării, eliberați pârgăhia de accelerație până când obțineți turația corectă.

Pentru a porni motorul când carburantul este prea fierbinte

Dacă produsul nu pornește, carburantul poate fi prea fierbinte.

Nota: Utilizați întotdeauna carburant nou și reduceți timpul de funcționare pe vreme caldă.

1. Puneți produsul într-o zonă rece, departe de lumina solară directă.
2. Lăsați produsul să se răcească pentru minimum 20 de minute.
3. Apăsați din nou purjorul timp de 10-15 secunde.
4. Respectați procedura de pornire a unui motor rece. Consultați *Pornirea unui motor rece la pagina 257.*

Utilizarea produsului

- Operați produsul în limitele orelor normale de program. Respectați reglementările locale.
- Reduceți numărul de echipamente și selectați turația adecvată pentru sarcina dvs. Utilizați accelerația în poziția cea mai coborâtă posibil pentru a preveni excesul de zgomot și de praf.
- Mențineți duza suflantei în apropierea solului.

Nota: Husqvarna recomandă utilizarea extensiei complete a duzei de suflantă.

- Observați direcția vântului și operați produsul în direcția acestuia.
- Utilizați unelte de grădinarit adecvate pentru deblocarea materialelor din sol.
- În zonele cu praf, utilizați echipament de pulverizare pentru a umezi zona. Aceasta reduce durata de funcționare.
- După utilizare, depozitați produsul în poziție verticală.

Oprirea produsului



ATENȚIE: Nu opriți produsul la viteză maximă.

1. Apăsați comutatorul de oprire. (Fig. 32)

Nota: Când produsul se oprește, se aude o bătaie. Este normal, nu este un semn că produsul s-a defectat.

Reglarea hamului

1. Puneți hamul pe produs.
2. Treceți cureaua de mijloc în jurul taliei și închideți catarama acesteia. (Fig. 33)
3. Strângeți banda curelei de mijloc. (Fig. 34)
4. Închideți catarama curelei de piept. (Fig. 35)
5. Reglați poziția curelei de piept. (Fig. 36)
6. Strângeți cureaua pentru piept. (Fig. 37)
7. Strângeți curelele de umăr până când produsul este strâns pe corp. (Fig. 38)
8. Strângeți curelele de ridicare a sarcinii. (Fig. 39)

Întreținerea

Introducere

efectua operații de întreținere asupra produsului.



AVERTISMENT: Citiți și înțelegeți capitolul privind siguranța înainte de a

Program de întreținere

Întreținerea	Zilnic	Săptămănal	Lunar
Curățați suprafețele exterioare.	X		

Întreținerea	Zilnic	Săptămănal	Lunar
Asigurați-vă că mânerul de control funcționează corect.	X		
Asigurați-vă că comutatorul de pornire/oprire funcționează corect. Consultați <i>Verificarea comutatorului de pornire/oprire la pagina 255.</i>	X		
Verificați etanșeitatea motorului, a rezervorului de carburant și a conductelor de carburant. Verificați dacă există contaminare pe filtrul de carburant. Înlocuiți filtrul de carburant dacă este necesar.	X		
Curățați filtrul de aer. Înlocuiți filtrul de aer dacă este necesar.	X		
Strângeți șuruburile și piulițele.	X		
Examinați priza de aer pentru a vă asigura că nu este blocată.	X		
Verificați demarorul și firul acestuia, pentru a vedea dacă nu prezintă deteriorări.		X	
Examinați unitățile de amortizare a vibrațiilor, pentru a identifica dacă există deteriorări, fisuri și deformări. Asigurați-vă că unitățile de amortizare a vibrațiilor sunt instalate corect.		X	
Verificați bujia. Consultați <i>Verificarea bujiei la pagina 259.</i>		X	
Curățați sistemul de răcire.		X	
Curățați suprafața exterioară a carburatorului și zona din jurul acesteia.		X	
Curățați rezervorul de carburant.			X
Verificați toate cablurile și conexiunile.			X
Examinați și curățați sita parascânteii de pe amortizorul de zgomet (pentru produse fără convertor catalitic).		X	
Examinați și curățați sita parascânteii de pe amortizorul de zgomet (pentru produse cu convertor catalitic).			X
Verificați bujia. Înlocuiți dacă este necesar.			X

Reglarea turației de mers în gol

- Asigurați-vă că filtrul de aer este curat și capacul filtrului de aer este montat.
- Reglați turația de mers la ralanti cu ajutorul șurubului de reglare a turației la mers la ralanti. Pentru a vedea unde se află șurubul de reglare a turației la mers la ralanti pe produsul dvs., consultați *Prezentarea generală a produsului la pagina 252.*

Verificarea bujiei



ATENȚIE: Utilizați o bujie recomandată. Consultați *Date tehnice la pagina 262.* O bujie incorectă poate cauza deteriorarea produsului.

- Oprii motorul și lăsați produsul să se răcească.
- Curățați bujia dacă este murdară.
- Asigurați-vă că apărătoarea electrodului este corectă. Consultați *Date tehnice la pagina 262.* (Fig. 40)

- Înlocuiți bujia lunar sau mai frecvent, dacă este necesar.

Întreținerea amortizorului de zgomet



ATENȚIE: Dacă sita parascânteii se înfundă frecvent, acesta poate fi un semn că performanța convertorului catalitic este afectată. Contactați atelierul de service pentru a examina amortizorul de zgomet. O sită parascânteii înfundată duce la supraîncălzire și la deteriorarea cilindrului și a pistonului.



ATENȚIE: Sita parascânteii trebuie înlocuită dacă este deteriorată. Nu utilizați un produs dacă sita parascânteii de pe amortizorul de zgomet nu este instalată sau este defectă.

- Curățați ecranul extingtorului de scânteii de pe amortizorul de zgomot. Utilizați o perie de sârmă. (Fig. 41)
- Permiteți atelierului de service să înlocuiască sau să se ocupe de întreținerea amortizorului și a sitei parascânteii după 50 de ore de funcționare.

Pentru a examina și curăța sistemul de răcire

Sistemul de răcire include lamelele de răcire de pe cilindru și de pe filtrul prizei de aer.

1. Opriți motorul.
2. Asigurați-vă că sistemul de răcire nu este murdar sau blocat. Dacă este necesar, curățați filtrul prizei de aer și lamelele de răcire.



ATENȚIE: Un sistem de răcire murdar sau blocat poate măări temperatura motorului și poate cauza deteriorarea produsului. Un filtru înfundat al prizei de aer reduce forța de suflare.

3. Examinați sistemul de răcire pentru a detecta eventualele deteriorări. Asigurați-vă că piesele sunt atașate corect pe produs.

Curățarea filtrului de aer



ATENȚIE: Nu utilizați produsul fără filtru de aer sau cu un filtru de aer deteriorat. Praful din aer poate cauza deteriorarea motorului.

1. Împingeți maneta de acționare a șocului în poziția închisă.
2. Îndepărtați capacul filtrului de aer (A).
3. Scoateți prefiltrul (B) din capacul filtrului de aer. (Fig. 42)
4. Scoateți filtrul de aer (C) din cadrul său.
5. Curățați pre-filtrul și filtrul de aer cu apă caldă și săpun.

Nota: Un filtru de aer care a fost utilizat timp îndelungat nu poate fi curățat complet. Schimbați periodic filtrul de aer și înlocuiți întotdeauna un filtru de aer defect.

6. Curățați cu o perie suprafața interioară a capacului filtrului de aer (A).
7. Amplasați filtrul de aer pe cadrul filtrului.
8. Fixați prefiltrul în capacul filtrului de aer.
9. Montați capacul filtrului de aer pe produs.

Depanarea

Motorul nu pomește

Verificați	Cauza posibilă	Soluție
Clichete de pornire.	Clichete de pornire blocate sau uzate.	Reglați sau înlocuiți clichetele de pornire.
		Curățați zona din jurul clichetelor de pornire.
		Adresați-vă unui distribuitor de service autorizat.
Rezervor de combustibil.	Tip de carburant incorect.	Goliți rezervorul de carburant și utilizați combustibilul corect.
Carburatorul.	Ajustarea turației de mers în gol.	Ajustați turația de mers în gol utilizând șurubul de reglare.

Motorul nu pomește		
Verificați	Cauza posibilă	Soluție
Scânteie (fără scânteie).	Bujia este murdară sau umedă.	Asigurați-vă că bujia este uscată și curată.
	Distanța dintre electrozii de pe bujie este incorectă.	Curățați bujia. Asigurați-vă că apărătoarea electrozului este corectă.
		Consultați fișa cu date tehnice pentru distanța corectă dintre electrozi.
Bujie.	Bujia este slăbită.	Strângeți bujia.
	Material nedorit prezent pe electrozii bujiei.	Asigurați-vă că amestecul este corect.
		Asigurați-vă că filtrul de aer este curat.

Motorul pomește, dar se oprește din nou		
Verificați	Cauza posibilă	Soluție
Rezervor de combustibil.	Tip de carburant incorect.	Goliți rezervorul de combustibil și utilizați combustibil corect.
Carburatorul.	Motorul nu funcționează corect la turația de mers la ralanti.	Adresați-vă reprezentantului de service.
Filtru de aer.	Filtru de aer înfundat.	Curățați filtrul de aer.

Transportul și depozitarea

Transportul și depozitarea



AVERTISMENT: Pentru a preveni riscul de incendii, asigurați-vă că nu există scurgeri sau vapori în timpul transportului sau al depozitării. Asigurați-vă că nu există risc de scânteie sau de incendiu.

- Scoateți bujia și introduceți aproximativ 15 ml de ulei pentru motoare în doi timpi în cilindru. Rotiți produsul de 3 ori și instalați din nou bujia.
 - Fixați bine produsul de vehicul în timpul transportului.
 - Păstrați produsul într-un spațiu uscat, curat și răcoros, cu un flux de aer adecvat. Nu lăsați produsul la îndemâna copiilor.
- Goliți rezervorul de combustibil înainte de a-l transporta sau depozita pe termen lung. Apăsăți pe balonul purjorului pentru a vă asigura de eliminarea completă a combustibilului. Eliminați carburantul într-o locație de eliminare autorizată.
 - Asigurați-vă că produsul este curat și că s-a efectuat o intervenție de service completă înainte de depozitarea pe termen lung.

Date tehnice

Date tehnice

	Husqvarna 345BT (BP152HV)
Motor	
Cilindree, cm ³	51,7
Turație de mers în gol, rot/min	2800
Convertor catalitic	Da
Sistem de aprindere	
Bujie	NGK BPMR7A/Champion RCJ6Y
Apărătoare electrod, mm	0,6-0,7
Cuplu bujie, Nm	25-30
Carburant și sistem de ungere	
Capacitatea rezervorului de carburant, l/cm ³	1,0/1000
Greutate	
Greutate fără carburant, kg	10,0
Emisii de zgomot⁶¹	
Nivel de putere acustică măsurat dB(A)	110
Nivel de putere acustică garantat L _{WA} dB(A)	113
Niveluri de zgomot⁶²	
Nivel echivalent de presiune a zgomotului la urechea operatorului, măsurat conform EN15503 dB(A):	
Prevăzut cu duză pentru suflantă (originală)	101
Niveluri de vibrații⁶³	
Niveluri echivalente de vibrații (a _{hv,eq}) la mâner, măsurate în conformitate cu EN 15503, m/s ²	6,1
Performanța ventilatorului	
Viteza max. a aerului cu duză pentru viteză mare, m/s	98,3
Debit de aer fără duză pentru viteză mare, m ³ /min	13,9

⁶¹ Emisiile de zgomot în mediu măsurate ca putere acustică (L_{WA}) în conformitate cu directiva CE 2000/14/CE. Nivelul de putere a sunetului raportat pentru aparat a fost măsurat cu accesoriul original de tăiere care emite cel mai ridicat nivel. Diferența dintre puterea garantată a sunetului și cea măsurată este aceea că puterea garantată a sunetului include, de asemenea, dispersia în rezultatul de măsurare și variațiile dintre diferitele aparate ale aceleiași model conform Directivei 2000/14/CE.

⁶² Datele raportate pentru presiunea nivelului de zgomot prezintă o distribuție statistică tipică (abatere standard) de 3,0 dB (A).

⁶³ Datele raportate pentru nivelul de vibrații prezintă o dispersie statistică tipică (abatere standard) de 1,5 m/s².

Declarație de conformitate CE

Declarație de conformitate CE

Noi, Husqvarna AB, SE 561 82 Huskvarna, SUEEDIA, declarăm pe propria răspundere că produsul reprezentat:

Descriere	Sufiantă/sufiantă-aspirator pe benzină
Marcă	Husqvarna
Platformă / Tip / Model	Platforma BP152HV, reprezentând modelul 345BT.
Lot	Număr de serie începând din 2022.

respectă în totalitate următoarele directive și reglementări UE:

Directivă/Regulament	Descriere
2006/42/CE	„privind utilajele”
2014/30/UE	„aferentă compatibilității electromagnetice”
2000/14/CE	„privind zgomotul exterior”
2011/65/UE	„restricționarea utilizării anumitor substanțe periculoase”

Standardele armonizate și/sau specificațiile tehnice aplicate sunt următoarele: EN ISO 12100:2010, EN 15503:2009+A2, CISPR 12:2007, EN ISO 14982:2009, EN IEC 63000:2018, EN IEC 63000:2018

În conformitate cu directiva 2000/14/CE, Anexa V, valorile sonore declarate sunt comunicate în secțiunea Date tehnice a acestui manual.

TÜV Rheinland a efectuat o examinare voluntară în numele Husqvarna AB, eliberând AM 50391742 -

Certificat de conformitate cu directiva Consiliului CE 2006/42/CE privind utilajele.

Certificatul este valabil pentru toate locațiile de producție și țările de origine, așa cum este indicat pe produs.

Sufianta/sufianta-aspirator pe benzină furnizată este conformă cu exemplarul care a fost supus examinării.

În numele Husqvarna AB, SE-561 82 Huskvarna, SUEEDIA,



Pär Martinsson

Responsabil pentru documentația tehnică



Содержание

Введение.....	264	Поиск и устранение неисправностей.....	273
Безопасность.....	265	Транспортировка и хранение.....	274
Сборка.....	268	Технические данные.....	275
Эксплуатация.....	269	Декларация соответствия ЕС.....	276
Техническое обслуживание.....	271		

Введение

Описание изделия

Данное изделие представляет собой ранцевую воздуходувку с двигателем внутреннего сгорания.

Мы постоянно работаем над усовершенствованием и развитием своей продукции и поэтому оставляем за собой право на внесение изменений в

конструкцию и внешний вид без предварительного предупреждения.

Назначение

Изделие используется для выдувания листьев и прочего мусора с таких участков и зон, как газоны, дорожки и асфальтированные дороги.

Обзор изделия

(Рис. 1)

1. Рычаг управления дросселем
2. Скоба
3. Оснастка
4. Крышка двигателя
5. Крышка вентилятора
6. Фильтр в воздуховоде
7. Воздушный фильтр
8. Ручка шнура стартера
9. Топливный бак
10. Поясной ремень
11. Свеча зажигания
12. Система гашения вибраций
13. Рычажок заслонки
14. Рукоятка управления
15. Переключатель остановки с механизмом управления дросселем
16. Дроссельный регулятор
17. Колено трубы
18. Зажим
19. Гибкий шланг
20. Рабочая труба
21. Кабельный зажим
22. Промежуточная труба
23. Насадка воздуходувки
24. Руководство по эксплуатации
25. Комбинированный ключ
26. Груша нагнетателя
27. Высокоскоростная насадка
28. Винт регулировки холостого хода
29. Вентилятор
30. Ножная пластина

Условные обозначения на изделии

- (Рис. 2) ПРЕДУПРЕЖДЕНИЕ! Изделие может представлять опасность и стать причиной тяжелой травмы или смерти оператора или окружающих. Соблюдайте осторожность и правила эксплуатации изделия.
- (Рис. 3) Перед началом работы внимательно прочитайте руководство по эксплуатации и убедитесь, что понимаете приведенные в нем инструкции.
- (Рис. 4) Используйте одобренные средства защиты глаз и органов слуха. При работе в пыльных условиях используйте респиратор.
- (Рис. 5) Во время эксплуатации и технического обслуживания используйте одобренные защитные перчатки. Надевайте защитные ботинки или обувь с нескользящей подошвой. Используйте длинную одежду из прочной ткани.
- (Рис. 6) Убедитесь, что длинные волосы убраны выше уровня плеч.
- (Рис. 7) Не надевайте украшения и свободную одежду во время работы.
- (Рис. 8) Смесь бензина и масла для двухтактных двигателей.
- (Рис. 9) Груша нагнетателя.
-

(Рис. 10) Держите части тела на безопасном расстоянии от горячих поверхностей.

(Рис. 11) Не подходите близко к крыльчатке, когда она вращается.

(Рис. 12) Заслонка, открытое положение.

(Рис. 13) Заслонка, закрытое положение.

(Рис. 14) Винт регулировки холостого хода.

(Рис. 15) Данное изделие отвечает требованиям соответствующих директив ЕС.

(Рис. 16) Данный агрегат соответствует действующим директивам Великобритании.

(Рис. 17) Эмиссия шума в окружающую среду согласно Директиве Европейского союза 2000/14/ЕС и законодательству Нового Южного Уэльса "Регламент 2017 года по защите окружающей среды (контроль уровня шума)". Данные об эмиссии шума приведены на паспортной табличке машины и в разделе "Технические данные".

Берегитесь отбрасываемых предметов. Отбрасываемые предметы могут стать причиной серьезной травмы. Пользуйтесь средствами индивидуальной защиты.

(Рис. 18)

(Рис. 19) Соблюдайте безопасное расстояние не менее 15 м до людей или животных.

ууууwwxxxxx

На паспортной табличке или лазерной гравировке указан серийный номер. **уууу** означает год производства, **ww** — производственную неделю.

Примечание: Остальные символы/наклейки на изделия отвечают требованиям, предъявляемым к сертификации в других коммерческих зонах.

Ответственность изготовителя

В соответствии с законами об ответственности изготовителя мы не несем ответственности за ущерб, вызванный эксплуатацией нашего изделия в результате:

- ненадлежащего ремонта изделия;
- использования для ремонта изделия неоригинальных деталей или деталей, не одобренных производителем;
- использования неоригинальных дополнительных принадлежностей или принадлежностей, не одобренных производителем;
- ремонта изделия в неавторизованном сервисном центре или неквалифицированным специалистом;

Безопасность

Инструкции по технике безопасности

Ниже приведены определения уровня опасности для каждого сигнального слова.



ПРЕДУПРЕЖДЕНИЕ:

Травмирование человека.



ВНИМАНИЕ: Повреждение изделия.

Примечание: Эта информация поможет упростить эксплуатацию изделия.

Общие инструкции по технике безопасности



ПРЕДУПРЕЖДЕНИЕ: В

обязательном порядке прочитайте следующие инструкции по технике безопасности, прежде чем приступить к эксплуатации изделия.

- Запрещается вносить изменения в изделие без разрешения производителя. Используйте только оригинальные принадлежности. Несанкционированные модификации и/или неодобренные принадлежности могут привести к серьезным травмам или смерти оператора или других лиц.
- Не используйте поврежденное изделие. Проверьте состояние защитных устройств

и проводите техническое обслуживание в соответствии с инструкциями в данном руководстве по эксплуатации. Все прочие виды технического обслуживания должны проводиться сертифицированными специалистами по обслуживанию.

- Все работы по обслуживанию и ремонту должны выполняться сертифицированными специалистами по обслуживанию. Если какая-либо часть изделия неисправна, обратитесь в сервисный центр.

Техника безопасности в отношении вибрации

Данное изделие предназначено только для периодического использования. Непрерывная или регулярная эксплуатация изделия может привести к "синдрому белых пальцев" или аналогичным заболеваниям, вызванным воздействием вибрации. При продолжительном или регулярном использовании изделия периодически проверяйте состояние своих ладоней и пальцев. При обнаружении таких симптомов, как изменение цвета кожи, боль в ладонях или пальцах, покалывание или потеря чувствительности, немедленно прекратите работу и обратитесь за медицинской помощью.

Инструкции по технике безопасности во время эксплуатации



ПРЕДУПРЕЖДЕНИЕ: В обязательном порядке прочитайте следующие инструкции по технике безопасности, прежде чем приступать к эксплуатации изделия.

- Изделие может представлять опасность и стать причиной тяжелой травмы или смерти оператора или окружающих. Соблюдайте осторожность и правила эксплуатации изделия.
- Перед началом эксплуатации проверьте изделие. См. раздел *Техническое обслуживание* на стр. 271.
- Ни в коем случае не используйте изделие, если вы устали, больны или находитесь под воздействием спиртного или других веществ, которые могут повлиять на зрение, оценку действительности или координацию.
- Перед использованием установите все крышки и кожухи. Во избежание поражения электрическим током убедитесь, что колпачок свечи зажигания и кабель зажигания не повреждены.
- Запрещается касаться колпачка свечи или кабеля зажигания при работающем двигателе.
- Соблюдайте безопасное расстояние не менее 15 м до людей или животных. Если люди, в частности дети, или животные приближаются к изделию ближе, чем на 15 м, остановите изделие.
- Направляйте изделие в сторону от людей, животных, открытых окон и других объектов.
- Не позволяйте детям управлять изделием. Убедитесь, что все операторы прочитали и поняли содержание данного руководства по эксплуатации.
- Во время работы не подносите руки или какие-либо предметы к корпусу воздуховодки. Вращающиеся детали могут стать причиной серьезной травмы.
- Не используйте изделие без фильтра в воздуховоде. Перед началом работы всегда проверяйте, что фильтр в воздуховоде установлен и не поврежден.
- В аварийной ситуации ослабьте поясной и нагрудный ремни оснастки и дайте изделию упасть.
- Соблюдайте государственные нормативы и директивы.
- Держите части тела на безопасном расстоянии от горячих поверхностей.
- Слишком сильная вибрация может привести к нарушениям кровообращения или нервной системы. Если у вас есть такие симптомы, как онемение, потеря чувствительности, покалывание, боль, в том числе пульсирующая, упадок сил или изменение цвета кожи на пальцах, руках или запястьях, обратитесь к врачу.
- Берегитесь отбрасываемых предметов. Отбрасываемые предметы могут стать причиной серьезной травмы.
- Не используйте изделие при неблагоприятных погодных условиях, например в туман, дождь, при сильном ветре и низких температурах. Работа в плохую погоду может привести к усталости и возникновению опасных ситуаций.
- Убедитесь, что вы можете свободно перемещаться и работать в устойчивом положении. Проверьте рабочую зону на наличие препятствий, например камней. Соблюдайте осторожность при работе с изделием на наклонной поверхности.
- Запрещается класть изделие на землю при работающем двигателе.
- Не работайте с изделием на высоте, например стоя на стремянке.
- Убедитесь, что вас обязательно услышат в случае аварии.
- Убедитесь, что вывод выхлопных газов не засорен. Во избежание повреждения изделия вывод выхлопных газов должен находиться на расстоянии не менее 50 см от препятствий.
- Запрещается запускать изделие в помещении, в условиях плохой вентиляции или рядом с легковоспламеняющимися материалами. Выхлопные газы двигателя содержат монооксид углерода, который может стать причиной отравления угарным газом. Выхлопные газы

имеют высокую температуру и могут содержать искры, которые в свою очередь могут привести к воспламенению.

Средства индивидуальной защиты



ПРЕДУПРЕЖДЕНИЕ: В обязательном порядке прочитайте следующие инструкции по технике безопасности, прежде чем приступить к эксплуатации изделия.

- Каждый раз при работе с изделием следует использовать рекомендованные средства индивидуальной защиты. Средства индивидуальной защиты не могут полностью исключить риск получения травмы, но они способны снизить тяжесть травмы. Для получения дополнительных сведений обратитесь к своему дилеру.
- Всегда пользуйтесь защитными наушниками. Продолжительное воздействие шума может повлечь неизлечимое ухудшение слуха.
- Пользуйтесь проверенными средствами защиты глаз. При использовании защитной маски следует пользоваться также одобренными защитными очками. Под одобренными защитными очками подразумеваются очки, отвечающие требованиям стандарта ANSI Z87.1 для США или EN 166 для стран ЕС.
- Во время эксплуатации и технического обслуживания используйте защитные перчатки.
- Надевайте защитные ботинки или обувь с несскользящей подошвой.
- Используйте длинную одежду из прочной ткани. Не надевайте ювелирные украшения или открытую обувь. Чтобы снизить риск получения травмы, одежда должна плотно прилегать к телу, но не сковывать движения. Соберите волосы выше уровня плеч, чтобы они не попали во вращающиеся части и не зацепились за ветки.
- При работе в условиях, которые могут привести к появлению пыли, используйте средства защиты органов дыхания.
- Средства оказания первой помощи всегда должны быть под рукой.

Защитные устройства на изделии



ПРЕДУПРЕЖДЕНИЕ: В обязательном порядке прочитайте следующие инструкции по технике безопасности, прежде чем приступить к эксплуатации изделия.

- Запрещается использовать изделие с неисправными защитными устройствами.
- Регулярно выполняйте проверку защитных устройств. См. раздел *Техническое обслуживание* на стр. 271.

- Если защитные устройства неисправны, обратитесь к своему сервисному дилеру Husqvarna.

Проверка глушителя



ПРЕДУПРЕЖДЕНИЕ: Запрещается использовать изделие с неисправным глушителем.



ПРЕДУПРЕЖДЕНИЕ: Глушитель сильно нагревается в ходе работы и остается нагретым после окончания работы, а также при холостых оборотах. Во избежание ожогов пользуйтесь защитными перчатками.



ПРЕДУПРЕЖДЕНИЕ: Внутри глушителя содержатся химикаты, которые могут быть канцерогенными. Не прикасайтесь к глушителю, если он поврежден.

- Регулярно выполняйте визуальную проверку глушителя. Глушитель предназначен для максимального снижения уровня шума и отвода выхлопных газов в сторону от оператора. См. раздел *Проверка и очистка системы охлаждения* на стр. 272.

Проверка системы гашения вибраций

1. Убедитесь в отсутствии трещин или деформации на амортизаторах.
2. Убедитесь, что амортизаторы надежно закреплены между блоком двигателя и рукояткой.

Информацию о расположении системы гашения вибраций на изделии см. в разделе *Обзор изделия* на стр. 264.

Проверка переключателя запуска/остановки

1. Используйте переключатель запуска/остановки для остановки двигателя.
2. Убедитесь, что двигатель полностью остановился.

Информацию о расположении переключателя запуска/остановки на изделии см. в разделе *Обзор изделия* на стр. 264.

Безопасное использование оснастки

Всегда пользуйтесь оснасткой при работе с изделием. Если вы не используете жгут проводов, безопасная эксплуатация изделия невозможна. Это может привести к травме пользователя или других лиц. Убедитесь, что поясной и нагрудный ремни застегнуты и правильно отрегулированы.

Существует опасность того, что незастегнутый ремень будет затянут в вентилятор изделия.

(Рис. 20)

Техника безопасности в отношении топлива



ПРЕДУПРЕЖДЕНИЕ: В обязательном порядке прочитайте следующие инструкции по технике безопасности, прежде чем приступать к эксплуатации изделия.

- Не смешивайте и не заливайте топливо в помещении или рядом с источником тепла.
- Запрещается запускать изделие, если вы пролили топливо или масло на изделие или тело.
- Запрещается запускать изделие при наличии утечки топлива из двигателя. Регулярно проверяйте двигатель на наличие утечек топлива.
- Соблюдайте осторожность при обращении с топливом. Топливо является легковоспламеняющейся жидкостью со взрывоопасными парами и может привести к серьезным или смертельным травмам.
- Запрещается вдыхать пары топлива, т. к. это может причинить вред здоровью. Убедитесь в наличии достаточного потока воздуха.
- Запрещается курить вблизи топлива или двигателя.

- Запрещает размещать изделие или емкость для топлива вблизи нагретых предметов, открытого огня, искр или горелок.
- Всегда используйте рекомендованные контейнеры для хранения и транспортировки топлива.

Инструкции по технике безопасности во время технического обслуживания



ПРЕДУПРЕЖДЕНИЕ: В обязательном порядке прочитайте следующие инструкции по технике безопасности, прежде чем приступать к эксплуатации изделия.

- Перед проведением технического обслуживания и сборки остановите двигатель, снимите свечу зажигания и дайте двигателю остыть.
- Засоренная искрогасительная сетка может привести к перегреву двигателя и, как следствие, к его повреждению.
- Если искрогасительная сетка часто засоряется, это может быть признаком нарушения работы каталитического нейтрализатора. Обратитесь к своему сервисному дилеру для проверки глушителя.

Сборка

Введение



ПРЕДУПРЕЖДЕНИЕ: Перед сборкой изделия внимательно изучите раздел техники безопасности.

Установка трубы воздуходувки и рукоятки управления на изделие

Примечание: Смажьте трубки и гибкий шланг, чтобы упростить их сборку.

1. Подсоедините гибкий шланг (А) к колену трубы и рабочую трубу (В) с помощью хомутов (С) и (D). (Рис. 21)
2. Прикрепите держатель рукоятки (Е) к рабочей трубе. Выровняйте держатель рукоятки с фланцем на рабочей трубе. (Рис. 22)

3. Отрегулируйте положение рукоятки управления так, чтобы она была в безопасном и правильном рабочем положении. Затяните поворотный переключатель.
4. Прикрепите кабель к гибкому шлангу с помощью кабельного зажима. (Рис. 23)
5. Присоедините промежуточную трубу к рабочей трубе. (Рис. 24)
6. Присоедините насадку воздуходувки к промежуточной трубе.

Примечание: Насадку воздуходувки можно установить только на промежуточную трубу.

7. Для увеличения скорости подачи воздуха установите высокоскоростную насадку на сопло воздуходувки.

Эксплуатация

Введение



ПРЕДУПРЕЖДЕНИЕ: Перед эксплуатацией изделия внимательно изучите раздел техники безопасности.

Топливо

Данное изделие оборудовано двухтактным двигателем.



ВНИМАНИЕ: Заправка неподходящим типом топлива может привести к повреждению двигателя. Используйте смесь бензина и масла для двухтактных двигателей.

Предварительно смешанное топливо

- Для обеспечения оптимальной производительности и продления срока службы двигателя используйте предварительно смешанное топливо-алкилат Husqvarna. Данный тип топлива содержит меньшее количество вредных веществ по сравнению с обычным топливом, что приводит к сокращению вредных выбросов. Такое топливо при сгорании образует меньшее количество остатков, благодаря чему компоненты двигателя остаются более чистыми.

Смешивание топлива

Бензин

- Используйте неэтилированный бензин надлежащего качества с максимальным содержанием этанола 10%.



ВНИМАНИЕ: Не используйте бензин с октановым числом меньше 90 RON/87 AKI. При более низком октановом числе двигатель может производить стук, что в свою очередь может привести к повреждению двигателя.

Масло для двухтактных двигателей

- Для достижения оптимальных результатов и мощности пользуйтесь маслом Husqvarna для двухтактных двигателей.
- Если у вас нет масла Husqvarna для двухтактных двигателей, вы можете использовать высококачественное масло, предназначенное для двухтактных двигателей с воздушным охлаждением. Для выбора правильного масла обратитесь к своему дилеру по обслуживанию.



ВНИМАНИЕ: Запрещается использовать масло, предназначенное для двухтактных двигателей с внешним водяным охлаждением, т.н. "outboard oil". Использовать масло для четырехтактных двигателей запрещается.

Смешивание бензина и масла для двухтактных двигателей

Бензин, л	Масло для двухтактных двигателей, л
	2% (50:1)
5	0,10
10	0,20
15	0,30
20	0,40



ВНИМАНИЕ: Небольшие неточности при смешивании небольшого количества топлива могут значительно повлиять на соотношение компонентов в смеси. Внимательно измеряйте количество масла, чтобы обеспечить правильное соотношение компонентов.

(Рис. 25)

- Добавьте половину количества бензина в чистую емкость для топлива.
- Добавьте все количество масла.
- Взболтайте топливную смесь.
- Добавьте оставшуюся часть бензина в емкость.
- Осторожно взболтайте топливную смесь.



ВНИМАНИЕ: Срок хранения топливной смеси не должен превышать 1 месяца.

Заправка топливного бака



ПРЕДУПРЕЖДЕНИЕ: Следуйте приведенным ниже инструкциям для вашей безопасности.

- Остановите двигатель и дайте ему остыть.

- Очистите поверхность вокруг крышки топливного бака. (Рис. 26)
- Взболтайте емкость и убедитесь, что топливо полностью смешалось.
- Медленно снимите крышку топливного бака, чтобы стравить давление.
- Заполните топливный бак.



ВНИМАНИЕ: Убедитесь, что в топливном баке не слишком много топлива. При нагреве топливо расширяется.

- Аккуратно затяните крышку топливного бака.
- Уберите пролитое топливо с изделия и вокруг него.
- Перед запуском двигателя относите изделие в сторону не менее чем на 3 м / 10 футов от источника топлива и места заправки топливом.

Примечание: Информацию по расположению топливного бака на изделии см. в разделе *Обзор изделия на стр. 264*.

Запуск холодного двигателя



ПРЕДУПРЕЖДЕНИЕ: Выпуск воздуха начинается при запуске двигателя и продолжается даже при работе вхолостую. Не позволяйте никому приближаться к воздухопроводке или трубе воздухопроводки.

- При холодном двигателе установите заслонку (А) в закрытое положение. См. раздел *Условные обозначения на изделии на стр. 264*. (Рис. 27)
- Минимум 10 раз нажмите на грушу нагнетателя (В), пока ее не начнет заполнять топливо. Полностью заполнять грушу топливом не требуется.
- Установите рычаг управления дросселем в положение быстрого хода. Совместите направляющие метки на рычаге управления дросселем и рукоятке управления. (Рис. 28)
- Разместите изделие на ровном участке земли.
- Удерживая изделие левой рукой, поставьте ногу на ножную пластину. (Рис. 29)
- Правой рукой медленно потяните за ручку шнура стартера, пока не почувствуете сопротивление.

Примечание: Не вытягивайте ручку шнура стартера полностью и не отпускайте ее.

- Правой рукой выполняйте рыбки за ручку шнура стартера, пока двигатель не запустится или не попытается запуститься (не более 6 раз). Если двигатель запустился, постепенно переведите рычаг заслонки в открытое положение и перейдите к пункту 11. Если двигатель не запускается, перейдите к пункту 9.
- При попытке запуска двигателя постепенно переведите рычаг заслонки в открытое положение.
- Правой рукой выполняйте рыбки за ручку шнура стартера, пока двигатель не запустится (не более 6 раз).



Примечание: Если двигатель не запускается, повторите инструкции по запуску, приведенные в пункте 1.

- Дайте двигателю поработать 30 секунд.
- Установите рычаг управления дросселем в положение холостого хода. (Рис. 30)
- Нажмите на дроссельный регулятор, чтобы отрегулировать скорость воздухопроводки. См. раздел *Использование дроссельного регулятора на стр. 270*.

Запуск прогретого двигателя

- Если температура окружающей среды ниже 32 °C / 90 °F, выполните процедуру запуска, описанную в разделе *Запуск холодного двигателя на стр. 270*, но не переводите заслонку в закрытое положение.
- Если температура окружающей среды выше 32 °C / 90 °F, выполните процедуру запуска, описанную в разделе *Запуск холодного двигателя на стр. 270*.

Использование дроссельного регулятора

- Для повышения скорости воздухопроводки во время работы нажимайте на дроссельный регулятор до тех пор, пока не будет достигнута нужная скорость. (Рис. 31)
- Для снижения скорости воздухопроводки во время работы отпустите дроссельный регулятор до тех пор, пока не будет достигнута нужная скорость.

Запуск двигателя, когда топливо очень горячее

Если изделие не запускается, возможно, топливо слишком горячее.

Примечание: Всегда используйте свежее топливо и снижайте время работы в теплую погоду.

- Поместите изделие в прохладное место, куда не попадают прямые солнечные лучи.

2. Подождите, пока изделие остынет (не менее 20 минут).
3. Несколько раз нажмите на грушу ручного нагнетателя на 10-15 секунд.
4. Выполните процедуру запуска холодного двигателя. См. раздел *Запуск холодного двигателя на стр. 270*.

Эксплуатация изделия

- Эксплуатация изделия в обычное рабочее время. Соблюдайте местное законодательство.
- Уменьшите количество единиц оборудования и выберите скорость, соответствующую выполняемой задаче. Используйте дроссель в крайнем нижнем положении, чтобы предотвратить чрезмерное образование шума и пыли.
- Держите насадку воздуходувки рядом с землей.

Примечание: Husqvarna рекомендует работать с полностью выдвинутой насадкой воздуходувки.

- Следите за направлением ветра и перемещайте изделие по направлению ветра.
- Используйте соответствующие садовые инструменты, чтобы отделить материал от земли.
- На запыленных участках используйте распылители для увлажнения. За счет этого уменьшается время работы.

- После работы храните изделие в вертикальном положении.

Остановка изделия



ВНИМАНИЕ: Не останавливайте изделие на полной скорости.

1. Нажмите выключатель. (Рис. 32)

Примечание: При остановке изделия слышен стук. Это норма, такое поведение не является признаком неисправности изделия.

Регулировка оснастки

1. Наденьте оснастку изделия.
2. Разместите поясной ремень на поясе и закрепите пряжку поясного ремня. (Рис. 33)
3. Затяните поясной ремень. (Рис. 34)
4. Закрепите пряжку для нагрудного ремня. (Рис. 35)
5. Отрегулируйте положение нагрудного ремня. (Рис. 36)
6. Затяните нагрудный ремень. (Рис. 37)
7. Затяните плечевые ремни так, чтобы изделие плотно прилегало к вашему телу. (Рис. 38)
8. Затяните стропы, удерживающие груз. (Рис. 39)

Техническое обслуживание

Введение

внимательно изучите раздел техники безопасности.



ПРЕДУПРЕЖДЕНИЕ: Перед техническим обслуживанием изделия

График технического обслуживания

Техническое обслуживание	Еже-дневно	Еже-недельно	Ежеме-сячно
Очистите внешние поверхности.	X		
Убедитесь, что рукоятка управления работает исправно.	X		
Проверьте работу переключателя запуска/остановки. См. раздел <i>Проверка переключателя запуска/остановки на стр. 267</i> .	X		
Проверьте двигатель, топливный бак и топливопроводы на наличие утечек. Проверьте топливный фильтр на наличие загрязнений. При необходимости замените топливный фильтр.	X		
Очистите воздушный фильтр. При необходимости замените воздушный фильтр.	X		
Затяните гайки и винты.	X		

Техническое обслуживание	Еже-дневно	Еже-дневно	Еже-месячно
Осмотрите воздуховод и убедитесь, что он не засорен.	X		
Осмотрите стартер и шнур стартера на наличие повреждений.		X	
Осмотрите амортизаторы на наличие повреждений, трещин и деформации. Проверьте правильность установки амортизаторов.		X	
Проверьте свечу зажигания. См. раздел <i>Проверка свечи зажигания на стр. 272.</i>		X	
Очистите систему охлаждения.		X	
Очистите наружные поверхности карбюратора и область вокруг него.		X	
Прочистите топливный бак.			X
Осмотрите все провода и соединения.			X
Осмотрите и очистите искрогасительную сетку на глушителе (для изделий без каталитического нейтрализатора).		X	
Осмотрите и очистите искрогасительную сетку на глушителе (для изделий с каталитическим нейтрализатором).			X
Проверьте свечу зажигания. При необходимости выполните замену.			X

Регулировка оборотов холостого хода

1. Убедитесь, что воздушный фильтр чист, а крышка воздушного фильтра установлена на место.
2. Отрегулируйте обороты холостого хода с помощью винта холостого хода. Информацию о расположении винта холостого хода на изделии см. в разделе *Обзор изделия на стр. 264.*

Проверка свечи зажигания



ВНИМАНИЕ: Используйте только рекомендуемые свечи зажигания. См. раздел *Технические данные на стр. 275.* Применение неподходящих свечей зажигания может привести к повреждению изделия.

1. Остановите двигатель и дайте изделию остыть.
2. Очистите свечу зажигания, если она загрязнена.
3. Проверьте правильность зазора между электродами. См. раздел *Технические данные на стр. 275.* (Рис. 40)
4. Выполняйте замену свечи зажигания раз в месяц или чаще, если необходимо.

Техобслуживание глушителя



ВНИМАНИЕ: Если искрогасительная сетка часто засоряется,

это может быть признаком нарушения работы каталитического нейтрализатора. Обратитесь к своему сервисному дилеру для проверки глушителя. При засорении искрогасительной сетки возможен перегрев, который приведет к повреждению цилиндра и поршня.



ВНИМАНИЕ: В случае повреждения искрогасительную сетку следует заменить. Запрещается использовать изделие с поврежденной или отсутствующей искрогасительной сеткой глушителя.

- Очистите искрогасительную сетку на глушителе. Используйте проволочную щетку. (Рис. 41)
- Обратитесь к сервисному дилеру для замены или обслуживания глушителя и искрогасительной сетки через 50 часов работы.

Проверка и очистка системы охлаждения

Система охлаждения включает охлаждающие ребра на цилиндре и фильтр в воздуховоде.

1. Остановите двигатель.
2. В системе охлаждения не должно быть загрязнений и засоров. При необходимости очистите фильтр в воздуховоде и охлаждающие ребра.



ВНИМАНИЕ: Загрязнение или засорение системы охлаждения может привести к перегреву двигателя, в результате чего возможно повреждение изделия. Засоренный фильтр в воздуховоде снижает силу обдува.

3. Осмотрите систему охлаждения на наличие повреждений. Убедитесь, что детали правильно установлены на изделии.

Очистка воздушного фильтра



ВНИМАНИЕ: Запрещается использовать изделие без воздушного фильтра или с грязным воздушным фильтром. Пыль в воздухе может привести к повреждению двигателя.

1. Переведите заслонку в закрытое положение.
2. Снимите крышку воздушного фильтра (А).

3. Снимите фильтр предварительной очистки (В) с крышки воздушного фильтра. (Рис. 42)
4. Извлеките воздушный фильтр (С) из рамы фильтра.
5. Очистите фильтр предварительной очистки и воздушный фильтр теплой водой с мылом.

Примечание: Воздушный фильтр после эксплуатации в течение длительного периода невозможно полностью вычистить. Регулярно выполняйте замену воздушного фильтра и всегда заменяйте неисправный фильтр.

6. Очистите внутреннюю поверхность крышки воздушного фильтра (А) щеткой.
7. Вставьте воздушный фильтр в раму фильтра.
8. Установите фильтр предварительной очистки на крышку воздушного фильтра.
9. Установите крышку воздушного фильтра на изделие.

Поиск и устранение неисправностей

Двигатель не запускается		
Проверка	Возможная причина	Решение
Собачки стартера.	Блокировка или износ собачек стартера.	Отрегулируйте или замените собачку(-и) стартера.
		Очистите поверхность вокруг собачки(-ек) стартера.
		Обратитесь к авторизованному сервисному дилеру.
Топливный бак.	Топливо несоответствующего типа.	Опорожните топливный бак и залейте подходящее топливо.
Карбюратор.	Регулировка оборотов холостого хода.	Отрегулируйте частоту вращения холостого хода с помощью винта регулировки холостого хода.
Зажигание (нет искры).	Свеча зажигания загрязнена или намочена.	Убедитесь, что свеча зажигания сухая и чистая.
	Неверный зазор между электродами свечи зажигания.	Очистите свечу зажигания. Проверьте правильность зазора между электродами. Правильный зазор между электродами см. в технических данных.

Двигатель не запускается		
Проверка	Возможная причина	Решение
Свеча зажигания.	Плохой контакт свечи зажигания.	Затяните свечу зажигания.
	Посторонние материалы на электродах свечи зажигания.	Убедитесь, что используется надлежащая топливная смесь.
		Убедитесь, что воздушный фильтр чист.

Двигатель запускается, но затем снова останавливается		
Проверка	Возможная причина	Решение
Топливный бак.	Топливо не соответствующего типа.	Опорожните топливный бак и залейте подходящее топливо.
Карбюратор.	Некорректная работа двигателя на холостых оборотах.	Обратитесь к своему дилеру по обслуживанию.
Воздушный фильтр.	Засорение воздушного фильтра.	Очистите воздушный фильтр.

Транспортировка и хранение

Транспортировка и хранение



ПРЕДУПРЕЖДЕНИЕ: Во избежание возгорания убедитесь в отсутствии утечек или паров во время транспортировки или хранения. Убедитесь в отсутствии риска возникновения искр или возгорания.

- Сливайте топливо из топливного бака перед транспортировкой или помещением изделия на длительное хранение. Нажмите на грушу нагнетателя, чтобы удалить все топливо. Утилизируйте топливо в специально предназначенном для этого месте.
- Перед помещением изделия на длительное хранение очистите его и проведите полное обслуживание.
- Снимите свечу зажигания и залейте в цилиндр примерно 15 мл масла для двухтактных

двигателей. Переверните изделие 3 раза и установите на место свечу зажигания.

- Надежно закрепляйте изделие на транспортном средстве на время транспортировки.
- Храните изделие в сухом, прохладном и чистом месте с хорошей вентиляцией. Храните изделие в недоступном для детей месте.

Технические данные

Технические данные

	Husqvarna 345BT (BP152HV)
Двигатель	
Объем цилиндра, см ³	51,7
Обороты холостого хода, об/мин	2800
Каталитический нейтрализатор	Да
Система зажигания	
Свеча зажигания	NGK BPMR7A/Champion RCJ6Y
Зазор между электродами, мм	0,6–0,7
Момент затяжки свечи зажигания, Н·м	25–30
Топливная система и система смазки	
Емкость топливного бака, л / см ³	1,0/1000
Масса	
Вес без топлива, кг	10,0
Излучение шума ⁶⁴	
Уровень мощности звука, измеренный, дБ(А)	110
Уровень мощности звука, гарантированный L _{WA} , дБ(А)	113
Уровни шума ⁶⁵	
Эквивалентный уровень давления звука на уровне уха пользователя, измеренный согласно EN15503, дБ (А):	
С насадкой воздуходувки (оригинальной)	101
Уровни вибрации ⁶⁶	
Эквивалентный уровень вибрации (a _{hV,eq}) на ручках, измеренный согласно EN 15503, м/с ²	6,1
Производительность вентилятора	
Макс. скорость воздушного потока с высокоскоростной насадкой, м/с	98,3
Воздушный поток с высокоскоростной насадкой, м ³ /мин	13,9

⁶⁴ Излучение шума в окружающую среду измеряется как мощность звука (L_{WA}) согласно директиве ЕС 2000/14/ЕС. Указанный уровень мощности звука для изделия измерен с оригинальным режущим оборудованием, дающим наивысший уровень. Разница между гарантированной и измеренной мощностью звука заключается в том, что гарантированная мощность звука включает результаты измерений как диапазон и их отклонение для устройств одной и той же модели согласно директиве 2000/14/ЕС.

⁶⁵ Указанные данные об уровне шумового давления имеют типичный статистический разброс (стандартное отклонение) в 3,0 дБ(А).

⁶⁶ Указанные данные об уровне вибрации имеют типичный статистический разброс (стандартное отклонение) 1,5 м/с².

Декларация соответствия ЕС

Декларация соответствия ЕС

Компания Husqvarna AB, SE 561 82 Huskvarna, ШВЕЦИЯ, под свою исключительную ответственность заявляет, что представленный агрегат:

Описание	Бензиновая воздуходувка / пылесос
Марка	Husqvarna
Платформа / Тип / Модель	Платформа BP152HV, представленная моделью 345BT.
Партия	Серийный номер с 2022 года и далее.

полностью соответствует следующим директивам и нормам ЕС:

Директива/Норматив	Описание
2006/42/EC	"о механическом оборудовании"
2014/30/EU	"об электромагнитной совместимости"
2000/14/EC	"об излучении шума от оборудования, размещенного вне помещения"
2011/65/EU	"об ограничении использования опасных веществ"

Применяются следующие согласованные стандарты и/или технические спецификации: EN ISO 12100:2010, EN 15503:2009+A2, CISPR 12:2007, EN ISO 14982:2009, EN IEC 63000:2018, EN IEC 63000:2018

В соответствии с директивой 2000/14/EC, приложение V, заявленные значения звукового давления указаны в разделе технических данных настоящего руководства.

Организацией TÜV Rheinland был проведен добровольный контроль от имени Husqvarna AB, в результате которого был выдан AM 50391742 —

Сертификат соответствия директиве ЕС 2006/42/EC о механическом оборудовании.

Сертификат действителен для всех предприятий и стран производителя, как указано на изделии.

Поставляемая бензиновая воздуходувка / пылесос соответствует эталону, прошедшему контроль.

От имени Husqvarna AB, SE-561 82 Huskvarna, ШВЕЦИЯ,



Пер Мартинссон (Pär Martinsson)

Ответственный за техническую документацию



141400, Московская обл., Г. Химки, ул. Ленинградская, владение 39, строение 6, здание II этаж 4, помещение OB02_04, телефон горячей линии 8-800-200-1689

Obsah

Úvod.....	277	Riešenie problémov.....	285
Bezpečnosť.....	278	Preprava a uskladnenie.....	286
Montáž.....	281	Technické údaje.....	287
Prevádzka.....	281	ES vyhlásenie o zhode.....	288
Údržba.....	283		

Úvod

Popis produktu

Tento výrobok je chrbtový fúkač so spaľovacím motorom.

Neustále ďalej vyvíjame svoje výrobky, a preto si vyhradujeme právo upravovať dizajn a vzhľad výrobkov bez toho, aby sme o tom vopred informovali.

Prehľad výrobku

(Obr. 1)

1. Páka ovládania plynu
2. Rám
3. Popruh
4. Kryt motora
5. Kryt ventilátora
6. Mriežka nasávania vzduchu
7. Vzduchový filter
8. Držadlo štartovacieho lanka
9. Palivová nádrž
10. Pásový popruh
11. Zapalovacia sviečka
12. Systém na tlmenie vibrácií
13. Ovládanie sýtiča
14. Ovládacia páka
15. Vypínač s ovládaním plynu
16. Páčka plynu
17. Uhol trubice
18. Svorka
19. Pružná hadica
20. Ovládacia trubica
21. Svorka lanka
22. Stredná trubica
23. Dýza fúkača
24. Návod na obsluhu
25. Kombinovaný kľúč
26. Balónik pumpy
27. Vysokorýchlostný nadstavec
28. Nastavovacia skrutka voľnobehu
29. Ventilátor
30. Stúpadlo

Plánované použitie

Výrobok používajte na odfukovanie lístia a iného nežiadúceho materiálu z plôch, ako sú trávniky, chodníky a asfaltové cesty.

Symbody na výrobku

- (Obr. 2) UPOZORNENIE! Tento výrobok môže byť nebezpečný a spôsobiť vážne poranenie alebo usmrtenie obsluhujúceho pracovníka alebo iných osôb. Postupujte opatrne a používajte výrobok správnym spôsobom.
- (Obr. 3) Skôr než začnete produkt používať, pozorne si prečítajte návod na obsluhu a dôsledne sa oboznámte s pokynmi.
- (Obr. 4) Používajte schválené prostriedky na ochranu sluchu a ochranu očí. Ak prostredie obsahuje prach, používajte dýchaciu masku.
- (Obr. 5) Počas prevádzky alebo vykonávania údržby používajte schválené ochranné rukavice. Používajte ochrannú obuv s protišmykovými podrážkami. Používajte odev z pevnej tkaniny a plnej dĺžky.
- (Obr. 6) Ak máte dlhé vlasy, uistite sa, že ich máte zopnuté nahor.
- (Obr. 7) Počas prevádzky nenoste šperky ani voľné oblečenie.
- (Obr. 8) Zmes benzínu a dvojtaktného oleja.
- (Obr. 9) Balónik pumpy.
- (Obr. 10) Všetky časti tela udržiavajte mimo horúcich plôch.

- (Obr. 11) Nepribližujte sa k ventilátoru, keď je v prevádzke
- (Obr. 12) Sýtič, otvorená poloha.
- (Obr. 13) Sýtič, zatvorená poloha.
- (Obr. 14) Nastavovacia skrutka voľnobehu.
- (Obr. 15) Tento výrobok je v súlade s príslušnými smernicami EÚ.
- (Obr. 16) Tento výrobok je v súlade s príslušnými právnymi predpismi Spojeného kráľovstva.
- (Obr. 17) Emisie hluku do okolia podľa európskej smernice 2000/14/EÚ a legislatívy v štáte New South Wales „Protection of the Environment Operations (Noise Control) Regulation 2017“ (Nariadenie o ochrane životného prostredia pri prevádzke (kontrola hluku) z roku 2017). Údaje o emisii hluku možno nájsť na štítku stroja a v kapitole s technickými údajmi.

- (Obr. 18) Dávajte pozor na odletujúce predmety. Odletujúce predmety môžu spôsobiť vážne poranenie. Používajte osobné ochranné pomôcky.

(Obr. 19) Udržujte bezpečnostnú vzdialenosť minimálne 15 m od osôb alebo zvierat.

Výkonový štítok alebo laserová tlač zobrazuje výrobné číslo. **yyyy** je rok výroby a **ww** je týždeň výroby.

mmrtbxxxx

Poznámka: Ostatné symboly/emblémy na výrobku odkazujú na požiadavky certifikácie pre ďalšie komerčné oblasti.

Zodpovednosť za výrobok

V súlade s právnymi predpismi upravujúcimi zodpovednosť za výrobok nenesieme zodpovednosť za škody spôsobené našim výrobkom v dôsledku:

- nesprávne vykonanej opravy výrobku,
- opravy výrobku, pri ktorej neboli použité diely od výrobcu alebo diely schválené výrobcom,
- používania príslušenstva od iného výrobcu alebo príslušenstva, ktoré nie je schválené výrobcom,
- opravy výrobku, ktoré neboli vykonané v schválenom servisnom stredisku alebo schválenými kompetentnými osobami.

Bezpečnosť

Bezpečnostné definície

Nižšie uvedené definície označujú úroveň závažnosti pre každé signálne slovo.



VÝSTRAHA: Poranenie osôb.



VAROVANIE: Poškodenie výrobku.

Poznámka: Táto informácia napomáha k jednoduchšiemu používaniu výrobku.

Všeobecné bezpečnostné pokyny



VÝSTRAHA: Skôr než budete výrobok používať, prečítajte si nasledujúce výstrahy.

- Výrobok neupravujte bez súhlasu výrobcu a vždy používajte originálne príslušenstvo. Zmeny alebo príslušenstvo, ktoré neboli schválené, môžu viesť k vážnemu poraneniu alebo smrti obsluhy alebo ostatných osôb.
- Ak sa výrobok poškodí, nepoužívajte ho. Vykonávajte bezpečnostné kontroly a údržbu podľa pokynov uvedených v tomto návode na obsluhu. Všetky ostatné úkony údržby smú vykonávať len schválení pracovníci servisu.
- Všetky servisné a opravné úkony musia vykonať schválení pracovníci servisu. Ak je niektorá časť zariadenia chybná, obráťte sa na svojho servisného predajcu.

Ochrana proti vibráciám

Tento výrobok je určený len na príležitostné používanie. Nepretržitá alebo pravidelná prevádzka výrobku môže viesť k syndrómu „bielych prstov“ alebo k podobným zdravotným problémom vyplývajúcim z vibrácií. Ak výrobok používate nepretržite alebo pravidelne, dbajte na starostlivosť o stav vašich rúk a prstov. Ak budú vaše ruky alebo prsty vykazovať známky straty sfarbenia,

začnú vás bolieť, chvieť sa alebo vám znečitlivejú, prestaňte pracovať a okamžite kontaktujte svojho lekára.

Bezpečnostné pokyny pre prevádzku



VÝSTRAHA: Skôr než budete výrobok používať, prečítajte si nasledujúce výstrahy.

- Tento výrobok môže byť nebezpečný a spôsobiť vážne poranenie alebo usmrtenie obsluhujúceho pracovníka alebo iných osôb. Zachovávajúte opatrnosť a používajte výrobok správnym spôsobom.
- Pred použitím vykonajte kontrolu výrobku. Pozrite si časť *Údržba na strane 283*.
- Výrobok nepoužívajte, ak ste unavení, chorí alebo pod vplyvom alkoholu, liekov alebo čokoľvek iného, čo môže viesť k zníženiu zrakovej schopnosti, koordinácie alebo schopnosti úsudku.
- Pred použitím namontujte všetky kryty a ochranné prvky. V záujme zabránenia úrazu elektrickým prúdom skontrolujte, či nie je poškodený kryt zapalovacej sviečky a kábel zapalovania.
- Nedotýkajte sa zapalovacej sviečky ani kábla zapalovania, keď je zapnutý motor.
- Udržujte bezpečnostnú vzdialenosť minimálne 15 m od osôb alebo zvierat. Ak sa k vám počas prevádzky produktu priblížia osoby, deti alebo zvieratá do vzdialenosti menšej ako 15 m, zastavte produkt. Produktom nemierajte na osoby, zvieratá, otvorené okná a iné predmety.
- Nenechajte deti používať produkt. Uistite sa, že si všetci obsluhujúci pracovníci prečítali tento návod na obsluhu a porozumeli jeho obsahu.
- Počas prevádzky udržiavajte ruky alebo iné predmety mimo krytu fúkača. Rotujúce časti môžu spôsobiť vážne poranenie.
- Nepoužívajte produkt, ak nie je nainštalovaná mriežka nasávania. Pred použitím sa vždy uistite, že je nainštalovaná mriežka nasávania a nevykazuje žiadne známky poškodenia.
- V prípade núdze uvoľnite pásový a hrudný popruh od hlavného popruhu a nechajte produkt spadnúť.
- Dodržiavajte vnútroštátne predpisy a smernice.
- Všetky časti tela udržiavajte mimo horúcich plôch.
- Príliš vysoké vibrácie môžu spôsobiť poškodenie krvného obehu alebo nervovej sústavy. Ak sa u vás prejavia príznaky, ako napríklad znečítlenie, strata citu, brnenie, pichanie, bolesť, strata sily, zmeny farby pokožky na prstoch, rukách alebo zápästiach, obráťte sa na svojho lekára.
- Dávajte pozor na odletujúce predmety. Odletujúce predmety môžu spôsobiť vážne poranenie.
- Výrobok nepoužívajte v nepriaznivých poveternostných podmienkach, napríklad v hmle, pri daždi a silnom vetre alebo vo veľmi chladnom prostredí. Práca v nepriaznivom počasí môže

spôsobiť únavu alebo byť príčinou nebezpečných podmienok.

- Uistite sa, že sa môžete voľne pohybovať a zachovávať si stabilný postoj. Skontrolujte pracovnú oblasť, či sa v nej nenachádzajú možné prekážky, ako napríklad skaly. Keď používate produkt na svahu, postupujte opatrne.
- Nekladte produkt na zem, keď je zapnutý motor.
- Produkt nepoužívajte na vyvýšených miestach, ako napríklad na rebríku.
- Zabezpečte, aby ste si v prípade nehody mohli vždy privolať pomoc.
- Skontrolujte, či nie je zablokovaný vývod výfukových plynov. Aby ste zabránili poškodeniu produktu, udržiajte minimálne 50 cm odstup medzi vývodom výfukových plynov a prekážkami.
- Neštartujte výrobok vo vnútri, v miestach s nedostatočným prúdením vzduchu ani v blízkosti horľavého materiálu. Výfukové plyny motora obsahujú oxid uhoľnatý, ktorý môže spôsobiť otravu. Výfukové plyny motora sú horúce a môžu obsahovať iskry, ktoré môžu vyvolať požiar.

Osobné ochranné prostriedky



VÝSTRAHA: Skôr než budete používať produkt, prečítajte si nasledujúce výstrahy.

- Pri používaní produktu používajte schválené osobné ochranné prostriedky. Osobné ochranné prostriedky nedokážu úplne vylúčiť riziko, ale môžu znížiť vážnosť zranenia. Ak potrebujete ďalšie informácie, obráťte sa na predajcu.
- Používajte schválené chrániče sluchu. Dlhodobé vystavenie sa hluku môže spôsobiť trvalé poškodenie sluchu.
- Používajte schválené chrániče očí. Ak používate štít, musíte tiež používať schválené ochranné okuliare. Schválené ochranné okuliare musia zodpovedať norme ANSI Z87.1 platnej v USA alebo norme EN 166 platnej v krajinách EÚ.
- Počas prevádzky alebo vykonávania údržby používajte ochranné rukavice.
- Používajte ochrannú obuv s protišmykovými podrážkami.
- Používajte odev z pevnej tkaniny a plnej dĺžky. Nepoužívajte šperky ani otvorenú obuv. V záujme zníženia rizika poranenia musí byť odev priliehavý, nesmie však obmedzovať pohyb. Vlasy si uchyťte nad úrovňou ramien, aby ste zabránili vniknutiu vlasov do rotujúcich častí alebo ich zachyteniu o konáre.
- V prašnom prostredí používajte dýchaciu masku.
- Majte poruke vybavenie prvej pomoci.

Bezpečnostné zariadenia na výrobu



VÝSTRAHA: Skôr než budete používať produkt, prečítajte si nasledujúce výstrahy.

- Nepoužívajte produkt, ktorý má chybné bezpečnostné zariadenia.
- Pravidelne kontrolujte bezpečnostné zariadenia. Pozrite si časť *Údržba na strane 283*.
- Ak sú bezpečnostné zariadenia chybné, obráťte sa na servisného zástupcu spoločnosti Husqvarna.

Kontrola tlmíča výfuku



VÝSTRAHA: Nepoužívajte výrobok, ak je tlmíč výfuku poškodený.



VÝSTRAHA: Tlmíče výfuku sa počas prevádzky a po nej výrazne zahrievajú, a to aj pri voľnobežných otáčkach. V záujme predchádzania zraneniam spôsobených popálením používajte ochranné rukavice.



VÝSTRAHA: Tlmíč výfuku obsahuje vo vnútri chemické látky, ktoré môžu mať karcinogénne účinky. Nedotýkajte sa tlmíča výfuku, ak je poškodený.

- Pravidelne pohľadom kontrolujte tlmíč výfuku. Tlmíč výfuku slúži na udržovanie minimálnej hladiny hluku a na smerovanie výfukových plynov smerom od obsluhy. Pozrite si časť *Preskúšanie a očistenie chladiaceho systému na strane 284*.

Kontrola systému na tlenie vibrácií

1. Uistite sa, že jednotky na tlenie vibrácií nie sú poškodené ani deformované.
2. Uistite sa, že sú jednotky na tlenie vibrácií správne pripravené k motoru a rukoväti.

Informácie o umiestnení systému na tlenie vibrácií na vašom výrobku nájdete v časti *Prehľad výrobku na strane 277*.

Kontrola vypínača štart/stop

1. Pomocou vypínača štart/stop vypnete motor.
2. Uistite sa, že sa motor úplne zastavil.

Ak chcete zistiť, kde sa vypínač štart/stop nachádza na vašom výrobku, pozrite si časť *Prehľad výrobku na strane 277*.

Bezpečnosť popruhov

Počas používania výrobku vždy používajte popruh. Ak nepoužívate popruh, nemôžete používať výrobok bezpečne. Môže to spôsobiť vaše poranenie alebo poranenie iných osôb. Skontrolujte, či sú pásový a hrudný popruh pripojené a správne nastavené. Hrozí nebezpečenstvo, že nezapnutý popruh môže nasat' ventilátor výrobku.

(Obr. 20)

Bezpečnosť paliva



VÝSTRAHA: Skôr než budete výrobok používať, prečítajte si nasledujúce výstrahy.

- Palivo nezmiešavajte ani nedopĺňajte v interiéri ani v blízkosti zdroja tepla.
- Výrobok neštartujte, ak sa na výrobku alebo na vašom tele nachádza olej alebo palivo.
- Výrobok neštartujte, ak sa na motore vyskytuje netesnosť a dochádza k úniku paliva. Pravidelne kontrolujte výskyt netesností a úniku paliva na motore.
- Pri manipulácii s palivom buďte vždy opatrní. Palivo je horľavá látka a výpary z paliva sú výbušné a môžu spôsobiť vážne poranenie alebo smrť.
- Vyhnite sa vdychovaniu výparov paliva, pretože môžu spôsobiť poranenie. Zabezpečte dostatočné prúdenie vzduchu.
- V blízkosti paliva alebo motora nefajčite.
- Výrobok ani nádobu na palivo neukladajte do blízkosti teplých predmetov, iskier alebo trvalého plameňa.
- Na uskladnenie a prepravu paliva vždy používajte schválené kanistre.

Bezpečnostné pokyny pre údržbu



VÝSTRAHA: Skôr než budete výrobok používať, prečítajte si nasledujúce výstrahy.

- Pred vykonávaním údržby a montáže zastavte motor, vyberte zapalovaciu sviečku a nechajte motor vychladnúť.
- V dôsledku zaneseného sitka lapača iskier sa motor príliš prehrieva, čo môže viesť k poškodeniu valcov a piestov.
- Ak je sitko lapača iskier často zanesené, môže to znamenať, že je výkon katalyzátora znížený. Kontaktujte servisného predajcu, aby tlmíč výfuku skontroloval.

Montáž

Úvod



VÝSTRAHA: Pred montážou výrobku si prečítajte kapitolu o bezpečnosti a uistite sa, že rozumiete informáciám, ktoré sa v nej uvádzajú.

Montáž trubice fúkača a ovládacej rukoväte k výrobku

Poznámka: Pre uľahčenie montáže namažte trubice a pružnú hadicu.

1. Pomocou svoriek (C) a (D) pripojte pružnú hadicu (A) k uhlu trubice a ovládacej trubici (B). (Obr. 21)

2. Pripojte držiak rukoväti (E) k ovládacej trubici. Zarovnajcie držiak rukoväti podľa príruby na ovládacej trubici. (Obr. 22)
3. Nastavte polohu ovládacej rukoväti do bezpečnej a správnej pracovnej polohy. Zatiahnite gombík.
4. Pomocou svorky lanka pripevnite lanko k pružnej hadici. (Obr. 23)
5. Pripojte strednú trubicu k ovládacej trubici. (Obr. 24)
6. Pripojte dýzu fúkača k strednej trubici.

Poznámka: Dýzu fúkača možno namontovať iba na strednú trubicu.

7. Ak chcete dosiahnuť vyššiu rýchlosť vzduchu, pripojte k dýze fúkača vysokorýchlostný nadstavec.

Prevádzka

Úvod

klepanie motora, ktoré môže viesť k poškodeniu motora.



VÝSTRAHA: Pred používaním výrobku si prečítajte kapitolu o bezpečnosti a uistite sa, že rozumiete informáciám, ktoré sa v nej uvádzajú.

Palivo

Tento výrobok má dvojtaktný motor.



VAROVANIE: Nesprávny typ paliva môže poškodiť motor. Používajte zmes benzínu a dvojtaktného oleja.

Namiešané palivo

- Na dosiahnutie najlepšieho výkonu a maximalizáciu životnosti motora použite namiešané alkylátové palivo Husqvarna. Toto palivo obsahuje v porovnaní s bežným palivom menej škodlivých látok, čo znižuje objem škodlivých výfukových plynov. Množstvo zvyškov po spaľovaní je pri tomto palive nižšie, čo udržuje komponenty motora čistejšie.

Miešanie paliva

Benzín

- Používajte kvalitný bezolovnatý benzín s max. 10 % etanolu.



VAROVANIE: Nepoužívajte benzín s oktánovým číslom menším než 90 RON/87 AKI. Použitie nižšieho oktánového čísla môže spôsobiť

Dvojtaktný olej

- Na dosiahnutie najlepších výsledkov používajte dvojtaktný olej Husqvarna.
- Ak nemáte k dispozícii dvojtaktný olej Husqvarna, môžete použiť iný dvojtaktný olej vysokej kvality, ktorý je určený pre vzduchom chladené motory. S výberom správneho oleja vám poradí váš servisný predajca.



VAROVANIE: Nepoužívajte olej pre dvojtaktné motory určený pre vodu chladené motory, niekedy označovaný aj ako olej pre lodné motory. Nepoužívajte oleje určené pre štvrtaktné motory.

Vytvorenie zmesi benzínu a oleja pre dvojtaktné motory

Benzín, liter	Olej pre dvojtaktné motory, liter
	2 % (50:1)
5	0,10
10	0,20
15	0,30
20	0,40



VAROVANIE: Pri miešaní malého množstva paliva môžu malé chyby výrazne ovplyvniť pomer zmesi. Opatrne odmerajte množstvo oleja, aby ste získali správnu zmes.

(Obr. 25)

1. Polovicu množstva benzínu nalejte do čistej nádoby na palivo.
2. Pridajte celú dávku oleja.
3. Zmes paliva premiešajte.
4. Do nádoby pridajte zvyšné množstvo benzínu.
5. Zmes paliva opatrne premiešajte.



VAROVANIE: Zmes paliva nemiešajte na viac ako 1 mesiac.

Doplňanie paliva do palivovej nádrže



VÝSTRAHA: Dodržiavajte nasledujúci postup kvôli vlastnej bezpečnosti.

1. Zastavte motor a nechajte ho vychladnúť.
2. Vyčistite priestor okolo veka palivovej nádrže. (Obr. 26)
3. Zatraste nádobou a skontrolujte, či je palivo úplne zmiešané.
4. Pomaly odstráňte veko palivovej nádrže a uvoľnite tlak.
5. Nalejte palivo do palivovej nádrže.



VAROVANIE: Skontrolujte, či v palivovej nádrži nie je príliš veľa paliva. Pri zahrievaní sa palivo rozširuje.

6. Uťahnite veko palivovej nádrže.
7. Utrite rozliaty benzín na produkte na okolo neho.
8. Pred štartovaním motora sa s výrobkom vzdialte od miesta dopĺňania a od zdroja paliva minimálne o 3 m/10 stôp.

Poznámka: Ak chcete zistiť, kde sa palivová nádrž nachádza na vašom výrobku, pozrite si časť *Prehľad výrobku na strane 277*.

Štartovanie studeného motora



VÝSTRAHA: Vzduch začne prúdiť hneď po naštartovaní motora, dokonca aj pri voľnobežných otáčkach. Nedovoľte, aby v blízkosti fúkača alebo trubice fúkača stáli nejaké osoby.

1. Ak je motor studený, nastavte ovládanie sýtiča (A) do zatvorenej polohy sýtiča. Pozrite si časť *Symboly na výrobu na strane 277*. (Obr. 27)
2. Opakovane stláčajte balónik pumpy (B) najmenej 10-krát, kým sa balónik nezačne plniť palivom. Nie je potrebné úplne naplniť balónik pumpy.
3. Prepnite ovládanie plynu do polohy vysokých voľnobežných otáčok. Zarovnajtie vodiace značky na páke ovládania plynu a ovládacej rukoväti. (Obr. 28)
4. Položte výrobok na zem na rovný povrch.
5. Prídžajte výrobok ľavou rukou a položte nohu na stúpadlo. (Obr. 29)
6. Pravou rukou pomaly ťahajte držadlo štartovacieho lanka, kým nepocítite odpor.

Poznámka: Nevyt'ahujte držadlo štartovacieho lanka úplne von ani rukoväť štartovacieho lanka nepúšťajte.

7. Pravou rukou rýchlo potiahnite držadlo štartovacieho lanka, kým sa motor nenašartuje alebo nepokúsi naštartovať. Urobte tak najviac 6-krát. Ak motor naštartuje, postupne presúvajte páku sýtiča do otvorenej polohy a pokračujte krokom 11. Ak motor nenašartuje, pokračujte krokom 9.
8. Ak sa motor pokúša naštartovať, postupne presúvajte páku sýtiča do otvorenej polohy.
9. Pravou rukou rýchlo potiahnite držadlo štartovacieho lanka, kým sa motor nenašartuje. Urobte tak najviac 6-krát.



Poznámka: Ak motor nenašartuje, opakujte pokyny na štartovanie od kroku 1.

10. Motor nechajte bežať 30 sekúnd.
11. Prepnite ovládanie plynu na voľnobežné otáčky. (Obr. 30)
12. Na regulovanie otáčok fúkača stlačte páčku plynu. Pozrite si časť *Používanie páčky plynu na strane 282*.

Štartovanie teplého motora

- Ak je teplota okolia nižšia ako 32 °C/90 °F, štartujte rovnako ako je uvedené v časti *Štartovanie studeného motora na strane 282*, ale bez prepnutia ovládania sýtiča do zatvorenej polohy sýtiča.
- Ak je teplota okolia vyššia ako 32 °C/90 °F, štartujte rovnako ako je uvedené v časti *Štartovanie studeného motora na strane 282*.

Používanie páčky plynu

- Ak chcete zvýšiť otáčky fúkača počas prevádzky, zatlačte na páčku plynu, kým fúkač nedosiahne požadované otáčky. (Obr. 31)

- Ak chcete znížiť otáčky fúkača počas prevádzky, uvoľnite páčku plynu, kým fúkač nedosiahne požadované otáčky.

Naštartovanie motora v prípade, že je palivo príliš horúce

Ak sa výrobok nenaštartuje, palivo môže byť príliš horúce.

Poznámka: Vždy používajte nové palivo a skráťte prevádzkový čas v teplom počasí.

1. Výrobok chráňte pred priamym slnečným svetlom a odkladajte ho na chladné miesto.
2. Výrobok nechajte vychladnúť minimálne 20 minút.
3. Opakovane stláčajte balónik pumpy 10 – 15 sekúnd.
4. Dodržiavajte pokyny pri štarte studeného motora. Pozrite si časť *Štartovanie studeného motora na strane 282*.

Obsluha výrobku

- Výrobok používajte počas bežných pracovných hodín. Dodržiavajte miestne nariadenia.
- Pri plnení vašej pracovnej úlohy obmedzte počet zariadení a vyberte si správne otáčky. Používajte plyn na najnižšej nožnej polohe, aby ste zabránili vyšším úrovňam hluku a prašnosti, ako je nevyhnutné.
- Udržiavajte dýzu fúkača blízko pri zemi.

Poznámka: Spoločnosť Husqvarna odporúča používať plné rozšírenie dýzy fúkača.

- Venujte pozornosť smeru vetra a výrobok používajte v smere vetra.

- Na uvoľnenie materiálu od zeme použite vhodné záhradné náradie.
- V prašných oblastiach použite striekacie zariadenie na zvlhčenie prašného miesta. Skráti sa tým čas prevádzky.
- Po prevádzke nechajte výrobok uskladnený vo vertikálnej polohe.

Zastavenie výrobku



VAROVANIE: Nevypínajte výrobok pri maximálnych otáčkach.

1. Stlačte vypínač. (Obr. 32)

Poznámka: Po zastavení výrobku zaznie zvuk klepnutia. Je to normálny jav a nie je to náznak chybného výrobku.

Nastavenie popruhu

1. Nasadte si popruhy výrobku.
2. Umiestnite si pásový popruh okolo pása a zapnite pásový popruh pomocou spony. (Obr. 33)
3. Utiahnite pásový popruh. (Obr. 34)
4. Zapnite hrudný popruh pomocou spony. (Obr. 35)
5. Nastavte polohu hrudného popruhu. (Obr. 36)
6. Utiahnite hrudný popruh. (Obr. 37)
7. Utiahnite ramenné pásy (B) tak, aby výrobok držal tesne pri vašom tele. (Obr. 38)
8. Utiahnite popruhy na zdvíhanie záťaž. (Obr. 39)

Údržba

Úvod

že rozumiete informáciám, ktoré sú v nej uvedené.



VÝSTRAHA: Pred údržbou výrobku si prečítajte kapitolu o bezpečnosti a uistite sa,

Plán údržby

Údržba	Denne	Týždenne	Mesačne
Vyčistite vonkajšie povrchy.	X		
Skontrolujte, či ovládacia rukoväť funguje správne.	X		
Skontrolujte, či vypínač štart/stop funguje správne. Pozrite si časť <i>Kontrola vypínača štart/stop na strane 280</i> .	X		

Údržba	Denne	Týždenne	Mesačne
Skontrolujte tesnosť motora, palivovej nádrže a rozvodov paliva. Skontrolujte, či nie je znečistený palivový filter. V prípade potreby vymeňte palivový filter.	X		
Vyčistite vzduchový filter. Ak je vzduchový filter poškodený, vymeňte ho.	X		
Dotiahnite matice a skrutky.	X		
Skontrolujte nasávanie vzduchu a uistite sa, že nie je zablokované.	X		
Skontrolujte, či štartér a štartovacie nie sú poškodené.		X	
Skontrolujte, či antivibračné prvky nevykazujú známky poškodenia, popraskania alebo deformácie. Skontrolujte, či sú antivibračné prvky správne nainštalované.		X	
Skontrolujte zapaľovaciu sviečku. Pozrite si časť <i>Kontrola zapaľovacej sviečky na strane 284.</i>		X	
Vyčistite chladiaci systém.		X	
Vyčistite vonkajší povrch karburátora a jeho okolie.		X	
Vyčistite palivovú nádrž.			X
Skontrolujte všetky káble a konektory.			X
Skontrolujte a vyčistite sitko lapača iskier v tlmiči výfuku (pre výrobky bez katalyzátora).		X	
Skontrolujte a vyčistite sitko lapača iskier v tlmiči výfuku (pre výrobky s katalyzátorom).			X
Skontrolujte zapaľovaciu sviečku. V prípade potreby ich vymeňte.			X

Nastavenie voľnobežných otáčok

1. Uistite sa, že je vzduchový filter čistý a že je kryt vzduchového filtra pripevnený k výrobku.
2. Pomocou skrutky voľnobežných otáčok nastavte voľnobežné otáčky. Ak chcete zistiť, kde sa na vašom výrobku nachádza skrutka voľnobežných otáčok, pozrite si časť *Prehľad výrobku na strane 277.*

Kontrola zapaľovacej sviečky



VAROVANIE: Používajte odporúčanú zapaľovaciu sviečku. Pozrite si časť *Technické údaje na strane 287.* Nesprávny typ zapaľovacej sviečky môže viesť k poškodeniu výrobku.

1. Zastavte motor a výrobok vychladnúť.
2. Ak je zapaľovacia sviečka znečistená, vyčistite ju.
3. Skontrolujte správnu šírku medzery medzi elektródami. Pozrite si časť *Technické údaje na strane 287.* (Obr. 40)
4. Vymeňte zapaľovaciu sviečku raz mesačne alebo v prípade potreby častejšie.

Údržba tlmiča výfuku



VAROVANIE: Ak je sitko lapača iskier často zanesené, môže to znamenať, že je výkon katalyzátora znížený. Kontaktujte servisného predajcu, aby tlmič výfuku skontroloval. Zablokované sitko lapača iskier spôsobí prehriatie, v dôsledku čoho dôjde k poškodeniu valca a piestu.



VAROVANIE: Ak je sitko lapača iskier poškodené, je potrebné vymeniť ho. Nepoužívajte výrobok, ak sitko lapača iskier na tlmiči výfuku chýba alebo je poškodené.

- Vyčistite kryt na ochranu pred iskrami v tlmiči výfuku. Na čistenie použite drôtenú kefu. (Obr. 41)
- Po 50 hodinách prevádzky požiadajte servisného zástupcu, aby vykonal výmenu alebo servis tlmiča výfuku a sieťky lapača iskier.

Preskúšanie a očistenie chladiaceho systému

Chladiaci systém zahŕňa chladiace rebrá na valci a mriežku nasávania.

1. Zastavte motor.
2. Skontrolujte, či chladiaci systém nie je znečistený ani upchaný. V prípade potreby očistite mriežku nasávania a chladiace rebrá.



VAROVANIE: Znečistený alebo zablokovaný chladiaci systém môže zvyšovať teplotu motora a spôsobiť poškodenie výrobku. Zanesená mriežka nasávania znižuje rýchlosť fúkania.

3. Skontrolujte, či chladiaci systém nie je poškodený. Skontrolujte, či sú diely správne pripevnené k výrobku.

Čistenie vzduchového filtra



VAROVANIE: Výrobok nepoužívajte bez vzduchového filtra ani s poškodeným

vzduchovým filtrom. Prach vo vzduchu môže poškodiť motor.

1. Zatláčte ovládanie sýtiča do zatvorenej polohy.
2. Demontujte kryt vzduchového filtra (A).
3. Vyberte predfilter (B) z krytu vzduchového filtra. (Obr. 42)
4. Vyberte vzduchový filter (B) z rámu filtra.
5. Vyčistite predfilter a vzduchový filter teplou mydlovou vodou.

Poznámka: Vzduchový filter, ktorý bol používaný dlhší čas, nemožno úplne vyčistiť. Pravidelne vymieňajte vzduchový filter a vždy vymeňte poškodený vzduchový filter.

6. Pomocou kefy očistite vnútornú časť krytu vzduchového filtra (A).
7. Vložte vzduchový filter do rámu filtra.
8. Pripevnite predfilter ku krytu vzduchového filtra.
9. Pripevnite kryt vzduchového filtra k výrobku.

Riešenie problémov

Motor nemožno naštartovať		
Kontrola	Možná príčina	Riešenie
Západky štartéra.	Zablokované alebo opotrebované západky štartéra.	Nastavte alebo vymeňte západku/-y štartéra.
		Vyčistite okolie západky/-iek štartéra.
		Obráťte sa na autorizovaného servisného predajcu.
Palivová nádrž.	Nesprávny typ paliva.	Vypustite palivovú nádrž a použite správne palivo.
Karburátor.	Nastavenie voľnobežných otáčok.	Nastavte voľnobežné otáčky pomocou nastavovacej skrutky voľnobežných otáčok.
Zapaľovanie (bez iskry).	Zapaľovacia sviečka je znečistená alebo vlhká.	Uistite sa, že je zapaľovacia sviečka suchá a čistá.
	Nesprávna medzera medzi elektródami na zapaľovacej sviečke.	Vyčistite zapaľovaciu sviečku. Skontrolujte správnu šírku medzery medzi elektródami. Informácie o správnosti medzery medzi elektródami nájdete v časti s technickými údajmi.

Motor nemožno naštartovať		
Kontrola	Možná príčina	Riešenie
Zapaľovacia sviečka.	Zapaľovacia sviečka je uvoľnená.	Utiahnite zapaľovaciu sviečku.
	Na elektródach zapaľovacej sviečky sa nachádza nežiadúci materiál.	Uistite sa, že používate správnu zmes paliva. Uistite sa, že je čistý vzduchový filter.

Motor naštartuje, no znova sa vypne		
Kontrola	Možná príčina	Riešenie
Palivová nádrž.	Nesprávny typ paliva.	Vypustíte palivovú nádrž a použijete správne palivo.
Karburátor.	Nesprávne fungovanie motora pri voľnoběžných otáčkach.	Obráťte sa na servisného predajcu.
Vzduchový filter.	Zanesený vzduchový filter.	Vyčistite vzduchový filter.

Preprava a uskladnenie

Preprava a uskladnenie



VÝSTRAHA: V záujme zabránenia nebezpečenstvu požiaru sa presvedčte, že počas prepravy alebo skladovania nehrozí žiadne nebezpečenstvo úniku paliva alebo jeho výparov. Uistite sa, že nehrozí nebezpečenstvo iskrenia alebo požiaru.

- Výrobok skladujte na suchom, chladnom a čistom mieste s dobrým vetraním. Batériu uchovávajte mimo dosahu detí.
- Pred prepravou alebo pred dlhodobým skladovaním vyprázdňte palivovú nádrž. Stláčaním balónika pumpy sa presvedčte, že sa odstránilo všetko palivo. Palivo zlikvidujte v príslušnom zariadení na likvidáciu.
- Pred dlhodobým skladovaním sa presvedčte, či je výrobok čistý a či bol vykonaný jeho kompletný servis.
- Odmontujte zapaľovaciu sviečku a do valca nalejte približne 15 ml dvojtaktného oleja. 3-krát otočte výrobok a znova namontujte zapaľovaciu sviečku.
- Pred prepravou výrobok bezpečne pripievňte k vozidlu.

Technické údaje

Technické údaje

	Husqvarna 345BT (BP152HV)
Motor	
Objem valca, cm ³	51,7
Voľnobežné otáčky, ot./min	2800
Katalyzátor	Áno
Systém zapalovania	
Zapaľovacia sviečka	NGK BPMR7A/Champion RCJ6Y
Vzdialenosť elektród, mm	0,6 – 0,7
Krútiaci moment zapaľovacej sviečky, Nm:	25 – 30
Systém paliva a mazania	
Objem palivovej nádrže, l/cm ³	1,0/1 000
Hmotnosť	
Hmotnosť bez paliva, kg	10,0
Emisie hluku ⁶⁷	
Nameraná úroveň hlučnosti, dB(A)	110
Zaručená úroveň hlučnosti L _{WA} dB(A)	113
Úroveň hlučnosti ⁶⁸	
Ekvivalentná hladina akustického tlaku pri uchu používateľa meraná podľa normy EN15503, dB(A)	
Vybavené dýzou fúkača (originál)	101
Úroveň vibrácií ⁶⁹	
Ekvivalentné hladiny vibrácií (a _{hV,eq}) na rukovätiach merané podľa normy EN 15503, m/s ²	6,1
Výkon ventilátora	
Maximálna rýchlosť vzduchu s vysokorýchlostným nadstavcom, m/s	98,3
Prietok vzduchu bez vysokorýchlostného nadstavca, m ³ /min	13,9

⁶⁷ Hladina hluku meraná ako akustický tlak (L_{WA}) v súlade s európskou smernicou 2000/14/ES. Uvádzaná hladina akustického výkonu pre stroj bola meraná s originálnym rezacím nadstavcom, ktorý produkuje najvyššiu úroveň. Rozdiel medzi zaručeným a nameraným akustickým výkonom spočíva v tom, že zaručený akustický výkon zahŕňa aj rozptyl výsledkov merania a rozdiely medzi jednotlivými strojmi rovnakého modelu v súlade so smernicou 2000/14/ES.

⁶⁸ Uvádzané údaje pre hladinu akustického tlaku majú typický štatistický rozptyl (štandardnú odchýlku) 3,0 dB (A).

⁶⁹ Uvádzané údaje pre ekvivalentný stupeň vibrácií majú typický štatistický rozptyl (štandardnú odchýlku) 1,5 m/s².

ES vyhlásenie o zhode

Vyhlásenie ES o zhode

V mene spoločnosti Husqvarna AB, SE 561
82 Huskvarna, ŠVÉDSKO, vyhlasujeme s plnou
zodpovednosťou, že reprezentovaný výrobok:

Popis	Benzínový fúkač/fúkač- vysávač
Značka	Husqvarna
Platforma/Typ/Model	Platforma BP152HV, re- prezentuje model 345BT.
Séria	Výrobné číslo z roku 2022 a nasledujúcich rokov.

plne spĺňa nasledujúce smernice a nariadenia EÚ:

Smernice/Nariadenia	Popis
2006/42/ES	„o strojových zariadeniach“
2014/30/EÚ	„týkajúca sa elektromagnetickej kompatibility“
2000/14/ES	„týkajúca sa hluku vo voľnom priestranstve“
2011/65/EÚ	„o obmedzení používania určitých nebezpečných látok“

Spĺňa nasledujúce použité harmonizované normy a/
alebo technické špecifikácie: EN ISO 12100:2010, EN
15503:2009+A2, CISPR 12:2007, EN ISO 14982:2009,
EN IEC 63000:2018, EN IEC 63000:2018

V súlade s ustanovením prílohy V smernice 2000/14/ES
sú deklarované úrovne hluku uvedené v časti o
technických údajoch tohto návodu na obsluhu.

Spoločnosť TÜV Rheinland vykonala dobrovoľnú skúšku
v mene spoločnosti Husqvarna AB a udelila AM

50391742 – Certifikát zhody so smernicou Rady
2006/42/ES o strojových zariadeniach.

Certifikát je platný pre všetky miesta výroby a krajiny
pôvodu, tak ako sú vyznačené na produkte.

Dodávaný benzínový fúkač/fúkač-vysávač sa zhoduje so
vzorkou, ktorá prešla skúškou.

V mene spoločnosti Husqvarna AB, SE-561 82
Huskvarna, ŠVÉDSKO,



Pär Martinsson

Zodpovedný za technickú dokumentáciu



VSEBINA

Uvod.....	289	Odpravljanje težav.....	297
Varnost.....	290	Prevoz in skladiščenje.....	298
Montaža.....	292	Tehnični podatki.....	299
Delovanje.....	293	Izjava ES o skladnosti.....	300
Vzdrževanje.....	295		

Uvod

Opis izdelka

Ta izdelek je nahrbtnni pihalnik z motorjem na gorivo.

Nenehno razvijamo in izpopolnjujemo svoje izdelke, zato si pridržujemo pravico do sprememb njihove oblike in videza brez predhodnega opozorila.

Pregled izdelka

(Sl. 1)

1. Krmilna ročica za plin
2. Okvir
3. Oprtnik
4. Pokrov motorja
5. Pokrov ventilatorja
6. Rešetka dovoda zraka
7. Zračni filter
8. Ročica zaganjalne vrvice
9. Rezervoar za gorivo
10. Pas
11. Svečka
12. Sistem za dušenje tresljajev
13. Ročica čoka
14. Ročaj
15. Stikalo za izklop z ročico za plin
16. Ročica plina
17. Kot cevi
18. Sklop sponke
19. Gibka cev
20. Krmilna cev
21. Spojka
22. Vmesna cev
23. Šoba pihalnika
24. Navodila za uporabo
25. Kombiniran ključ
26. Membrana črpalke goriva
27. Šoba za visoke hitrosti
28. Nastavitveni vijak za prosti tek
29. Ventilator
30. Nožna plošča

Namen uporabe

Z izdelkom spihajte listje in drug neželeni material s površin, kot so trate, poti in asfaltne ceste.

Simboli na izdelku

- (Sl. 2) OPOZORILO! Ta izdelek je lahko nevaren in lahko povzroči hude poškodbe oziroma smrt uporabnika ali drugih. Bodite previdni in uporabljajte izdelek pravilno.
- (Sl. 3) Pred začetkom uporabe izdelka natančno preberite navodila za uporabo in se prepričajte, da ste jih razumeli.
- (Sl. 4) Uporabljajte odobreno zaščito za sluh in odobreno zaščito oči. Če okolje vsebuje prah, uporabite dihalno masko.
- (Sl. 5) Med uporabo in vzdrževanjem uporabljajte odobrene zaščitne rokavice. Uporabljajte zaščitno obutev ali čevlje z neдрsečimi podplati. Uporabljajte dolga oblačila iz trpežnih materialov.
- (Sl. 6) Dolge lase spnite nad rameni.
- (Sl. 7) Med uporabo ne nosite ohlapnih oblačil ali nakita.
- (Sl. 8) Mešanica bencina in olja za dvotaktno motorje.
- (Sl. 9) Membrana črpalke goriva.
- (Sl. 10) Izognite se stiku z vročimi površinami.
- (Sl. 11) Ne približujte se rotorju med vrtenjem.
- (Sl. 12) Čok v odprtem položaju.

- (Sl. 13) Čok v zaprtem položaju.
- (Sl. 14) Nastavitveni vijak za prosti tek.
- (Sl. 15) Izdelek je v skladu z veljavnimi direktivami ES.
- (Sl. 16) Izdelek je v skladu z veljavnimi direktivami ZK.
- (Sl. 17) Nivo emisije hrupa v okolje je skladen z Evropsko direktivo 2000/14/ES in zakonodajo Novega južnega Walesa, in sicer z direktivo "Zaščita okolja pri delu (nadzor hrupa) iz 2017". Podatke o emisijah hrupa najdete na oznaki stroja in v poglavju Tehnični podatki.

yyyywwxxxx

Na tipski ploščici ali laser-skemu natisu je navedena serijska številka. **yyyy** je proizvodno leto in **ww** je proizvodni teden.

Opomba: Ostali simboli in oznake na izdelku se nanašajo na zahteve za certifikacijo, ki veljajo za druga komercialna območja.

Odgovornost proizvajalca

Kot je navedeno v zakonodaji, ki ureja odgovornost proizvajalca, ne prevzemamo nikakršne odgovornosti za poškodbe, ki bi jih naši izdelki povzročili v naslednjih primerih:

- Izdelek ni pravilno popravljen.
- Izdelek je popravljen z deli, ki jih ni izdelal ali odobril proizvajalec.
- Na izdelku je nameščena dodatna oprema, ki je ni izdelal ali odobril proizvajalec.
- Izdelek ni bil popravljen v pooblaščenem servisnem centru ali pri pooblaščenem organu.

- (Sl. 18) Pazite na odbite predmete. Zaradi izmeta predmetov lahko pride do hudih telesnih poškodb. Uporabljajte osebno zaščitno opremo.

- (Sl. 19) Med uporabo izdelka bodite na varnostni razdalji 15 m od drugih oseb ali živali.

Varnost

Varnostne definicije

Spodnje definicije označujejo stopnjo resnosti posameznih opozorilnih besed.



OPOZORILO: Poškodbe oseb.



POZOR: Poškodbe izdelka.

Opomba: Te informacije olajšajo uporabo izdelka.

Splošna varnostna navodila



OPOZORILO: Pred uporabo izdelka preberite navodila v povezavi z opozorili v nadaljevanju.

- Ne spreminjajte izdelka brez vnaprejšnje odobritve proizvajalca in vedno uporabljajte originalno dodatno opremo. Spremembe in/ali dodatna oprema, ki niso odobrene, lahko povzročijo hude telesne poškodbe ali smrt uporabnika ali drugih oseb.

- Ne uporabljajte poškodovanega izdelka. Sledite navodilom za varnostne preglede in vzdrževanje, ki so navedena v teh navodilih za uporabo. Vsa druga vzdrževalna dela lahko opravi samo pooblaščen servisno osebje.
- Vse servise in popravila lahko opravi samo pooblaščen servisno osebje. Če je del izdelka pokvarjen, se obrnite na servisnega zastopnika.

Zaščita pred vibracijami

Izdelek je namenjen izključno občasni uporabi. Nprekinjena ali redna uporaba izdelka lahko povzroči delno prekinitev prekrvavitve prstov ali enakovredne zdravstvene težave zaradi vibracij. Pred neprekinjeno ali redno uporabo izdelka preglejte stanje svojih rok in prstov. Če roke ali prsti izgubijo barvo, v njih čutite bolečino ali mravljinice ali so otopeli, prenehajte z delom in se nemudoma posvetujte z zdravnikom.

Varnostna navodila za uporabo



OPOZORILO: Pred uporabo izdelka preberite navodila v povezavi z opozorili v nadaljevanju.

- Ta izdelek je lahko nevaren in lahko povzroči hude poškodbe oziroma smrt upravljavca ali drugih. Bodite previdni in uporabljajte izdelek pravilno.

- Pred uporabo preglejte izdelek. Glejte *Vzdrževanje na strani 295*.
- Izdelka ne uporabljajte, ko ste utrujeni, bolni ali pod vplivom alkohola, mamil ali zdravil, ki lahko slabo vplivajo na vaš vid, presojo ali koordinacijo.
- Pred uporabo namestite vse pokrove in varovala. Da preprečite električni udar, poskrbite, da pokrov svečke in vžigalni kabel nista poškodovana.
- Ko motor deluje, se ne dotikajte svečke ali vžigalnega kabla.
- Med uporabo izdelka bodite na varnostni razdalji 15 m od drugih oseb ali živali. Če so osebe, otroci ali živali bližje kot 15 m, izklopite izdelek. Izdelek usmerite stran od oseb, živali, odprtih oken in drugih predmetov.
- Otroci izdelka ne smejo uporabljati. Vsi uporabniki morajo prebrati in razumeti vsebino teh navodil za uporabo.
- Med delovanjem z rokami ali drugimi predmeti ne segajte v ohlajne pihalnika. Vrtljivi deli lahko povzročijo hude telesne poškodbe.
- Izdelka ne uporabljajte, če rešetka dovoda zraka ni nameščena. Pred uporabo se vedno pripravite, da je nameščena rešetka dovoda zraka in da ni poškodovana.
- V nujnem primeru sprostite pas in prsni pas oprtnika ter pustite, da izdelek pade.
- Upošteвайте nacionalne uredbe in direktive.
- Izognite se stiku z vročimi površinami.
- Preveč tresljajev lahko povzroči poškodbe v obtoku ali živčnem sistemu. Pogovorite se z zdravnikom, če imate simptome, kot so otrplost, izguba občutenja, ščemenje, zbadanje, bolečina, zmanjšano moč ali sprememba barve kože v prstih, rokah ali zapestjih.
- Pazite na odbite predmete. Zaradi izmeta predmetov lahko pride do hudih telesnih poškodb.
- Izdelka ne uporabljajte v slabem vremenu, npr. megli, dežju, močnem vetru in premrzlem okolju. Uporaba izdelka v slabem vremenu lahko povzroči utrujenost in nevarne razmere.
- Zagotovite, da se lahko premikate in ohranjate stabilen položaj. Preverite, ali so v delovnem območju morebitne ovire, npr. kamenje. Če izdelek upravljate na pobočju, bodite previdni.
- Ko je motor vklopljen, izdelka ne odlagajte na tla.
- Izdelka ne uporabljajte z visokih položajev, na primer na lestvi.
- Prepričajte se, da vas bo v primeru nesreče vedno nekdo slišal.
- Pazite, da bo izhod za izpušne pline prost. Ovire naj bodo na razdalji najmanj 50 cm od izhoda za izpušne pline, da preprečite poškodbo izdelka.
- Izdelka nikoli ne zaganjajte v zaprtih prostorih, prostorih s slabim pretokom ali v bližini vnetljivih materialov. Izpušni plini motorja vsebujejo ogljikov monoksid, ki lahko povzroči zastrupitev. Izpušni plini so vroči in lahko vsebujejo iskre, ki lahko zanetijo požar.

Osebna zaščitna oprema



OPOZORILO: Pred uporabo izdelka preberite navodila v povezavi z opozorili v nadaljevanju.

- Med uporabo izdelka obvezno uporabljajte ustrezno osebno zaščitno opremo. Osebna zaščitna oprema ne more popolnoma preprečiti poškodb, vendar v primeru nesreče omili posledice. Če potrebujete več informacij, se obrnite na prodajalca.
- Uporabljajte odobreno zaščito za sluh. Dolgotrajna izpostavljenost hrupu lahko povzroči trajne poškodbe sluha.
- Uporabljajte odobreno zaščito oči. Tudi če uporabljate vizir, morate vedno uporabljati tudi homologirana zaščitna očala. Homologirana zaščitna očala morajo biti skladna s standardom ANSI Z87.1 za ZDA ali s standardom EN 166 za države EU.
- Med uporabo in vzdrževanjem uporabljajte zaščitne rokavice.
- Uporabljajte zaščitno obutev ali čevlje z nedrsečimi podplati.
- Uporabljajte dolga oblačila iz trepežnih materialov. Ne nosite nakita ali odprtih čevljev. Oblačila naj se vam tesno prilagajajo, vendar naj vas ne ovirajo pri gibanju, da zmanjšate tveganje poškodb. Lase si spnite nad rameni in tako preprečite, da bi se lasje zapletli v vrtljive dele ali se zataknili za veje.
- Če obstaja nevarnost prašenja, uporabljajte dihalno masko.
- Opremo za prvo pomoč hranite v bližini.

Varnostne naprave na izdelku



OPOZORILO: Pred uporabo izdelka preberite navodila v povezavi z opozorili v nadaljevanju.

- Ne uporabljajte izdelka s poškodovanimi varnostnimi napravami.
- Redno preverjajte varnostne naprave. Glejte poglavje *Vzdrževanje na strani 295*.
- Če so varnostne naprave poškodovane, se obrnite na servisnega zastopnika Husqvarna.

Preverjanje dušilnika



OPOZORILO: Če je dušilnik poškodovan, izdelka ne uporabljajte.



OPOZORILO: Dušilnik se med delovanjem, tudi pri hitrosti prostega teka, močno segreje in ostane vroč tudi po delovanju. Uporabljajte zaščitne rokavice, da preprečite opekline.



OPOZORILO: Notranja stran dušilnika vsebuje kemikalije, ki so lahko rakotvorne. Poškodovanega dušilnika se ne dotikajte.

- Redno vizualno preverjajte dušilnik. Dušilnik zmanjšuje nivo hrupa na najnižjo možno raven in odvaja izpušne pline stran od uporabnika. Glejte *Pregled in čiščenje hladilnega sistema na strani 296*.

Preverjanje sistema za dušenje treslajev

1. Prepričajte se, da na elementih za blaženje treslajev ni razpok ali deformacij.
2. Prepričajte se, da so elementi za blaženje treslajev ustrezno pritrjeni na motor in ročaj.

Za informacije o tem, kje na izdelku je nameščen sistem za dušenje treslajev, glejte poglavje *Pregled izdelka na strani 289*.

Preverjanje stikala za vklop/izklop

1. Z vklopno/izklopnim stikalom izklopite motor.
2. Prepričajte se, da se je motor popolnoma zaustavil.

Za mesto stikala za vklop/izklop na vašem izdelku glejte *Pregled izdelka na strani 289*.

Varnost oprtnika

Pri uporabi izdelka obvezno uporabljajte oprtnik. Če ne uporabljate kableskega snopa, izdelka ne morete varno uporabljati. Posledično lahko poškodujete sebe ali drugih oseb. Pas in prsni pas sta zapeta in pravilno nastavljena. Če pas ni pripet, ga lahko potegne v ventilator izdelka.

(Sl. 20)

Varnost pri delu z gorivom



OPOZORILO: Pred uporabo izdelka preberite navodila v povezavi z opozorili v nadaljevanju.

- Goriva ne mešajte ali dolivajte v zaprtih prostorih ali v bližini vira toplote.
- Če so na izdelku ali na vašem telesu ostanki goriva ali olja, izdelka na zaganjajte.
- Če iz motorja izteka gorivo, izdelka ne zaganjajte. Redno preverjajte, ali iz motorja izteka gorivo.
- Z gorivom vedno ravnajte previdno. Gorivo je vnetljivo, hlapi goriva pa so eksplozivni, kar lahko privede do hudih poškodb ali smrti.
- Ne vdihavajte hlapov goriva, saj lahko pride do poškodb. Zagotovite zadosten pretok zraka.
- V bližini goriva ali motorja ne kadite.
- Izdelka ali posode za gorivo ne postavljajte v bližino vročih predmetov, odprtega ognja, isker ali indikatorskih lučk.
- Za prevoz in skladiščenje goriva vedno uporabite odobrene posode.

Varnostna navodila za vzdrževanje



OPOZORILO: Pred uporabo izdelka preberite navodila v povezavi z opozorili v nadaljevanju.

- Pred vzdrževanjem in sestavljanjem zaustavite motor, odstranite svečko in počakajte, da se motor ohladi.
- Zamašena mrežica lovilnika isker povzroči pregrevanje motorja in posledične poškodbe motorja.
- Če je lovilnik isker pogosto zamašen, je to lahko znak, da je delovanje katalizatorja poslabšano. Dušilnik naj pregleda servisni zastopnik.

Montaža

Uvod



OPOZORILO: Preden začnete sestavljati izdelek, morate prebrati in razumeti poglavje o varnosti.

Namestitev cevi pihalnika in krmilne ročice na izdelek

Opomba: Namažite cevi in gibko cev, da jih boste lažje sestavili.

1. Gibko cev (A) z objemkama (C) in (D) pritrdite na kot cevi in krmilno cev (B). (Sl. 21)
2. Držalo ročaja (E) pritrdite na krmilno cev. Držalo ročaja poravnajte s prirobno matico na krmilni cevi. (Sl. 22)
3. Položaj krmilne ročice prilagodite varnemu in pravilnemu delovnemu položaju. Zategnite gumbni vijak.
4. Kabel pritrdite na gibko cev s spojko kabla. (Sl. 23)
5. Vmesno cev pritrdite na krmilno cev. (Sl. 24)
6. Šobo pihalnika pritrdite na vmesno cev.

Opomba: Šobo pihalnika je mogoče namestiti samo na vmesno cev.

7. Za višjo hitrost zraka priključite šobo za visoke hitrosti na šobo pihalnika.

Delovanje

Uvod



OPOZORILO: Preden začnete uporabljati izdelek, morate prebrati in razumeti poglavje o varnosti.

Gorivo

Ta izdelek ima dvotaktni motor.



POZOR: Če uporabite neustrezno vrsto goriva, lahko poškodujete motor. Uporabite mešanico bencina in olja za dvotaktne motorje.

Predhodno zmešano gorivo

- Za najboljše delovanje in daljšo življenjsko dobo motorja uporabljajte vnaprej pripravljeno mešanico goriva z alkilatom Husqvarna. V gorivu je manj škodljivih kemikalij v primerjavi z običajnim gorivom, kar zmanjšuje količino škodljivih izpušnih plinov. Po zgorevanju tega goriva je količina ostankov manjša, zaradi česar so deli motorja čistejši.

Mešanje goriva

Bencin

- Uporabljajte kakovosten neosvinčen bencin z največ 10-% vsebnostjo etanola.



POZOR: Ne uporabljajte bencina, ki ima oktansko število nižje od 90 RON/87 AKI. Uporaba nižjega oktanskega števila lahko povzroči klenkanje, kar povzroča poškodbe motorja.

Olje za dvotaktne motorje

- Za čim boljše rezultate in zmogljivost uporabite olje za dvotaktne motorje Husqvarna.
- Če olje za dvotaktne motorje Husqvarna ni na voljo, lahko uporabite kakovostno olje za dvotaktne motorje z zračnim hlajenjem. Za izbiro ustreznega olja se obrnite na servisnega zastopnika.



POZOR: Ne uporabljajte olja za vodno hlajene izvenkrmne dvotaktne motorje. Ne uporabljajte olja za štiritaktne motorje.

Mešanica bencina in olja za dvotaktne motorje

Bencin, liter	Olje za dvotaktne motorje, liter
	2 % (50 : 1)
5	0,10
10	0,20
15	0,30
20	0,40



POZOR: Pri mešanju manjših količin goriva lahko manjša odstopanja močnejše vplivajo na razmerje mešanice. Natančno izmerite količino olja in tako ustvarite pravilno mešanico.

(Sl. 25)

1. Dolijte polovico bencina v čisto posodo za gorivo.
2. Dodajte celotno količino olja.
3. Pretresite mešanico goriva.
4. V posodo dodajte še preostalo količino bencina.
5. Temeljito pretresite mešanico goriva.



POZOR: Naenkrat ne pripravite mešanice goriva za več kot en mesec.

Polnjenje posode za gorivo



OPOZORILO: Za lastno varnost upoštevajte postopek v nadaljevanju.

1. Zaustavite motor in pustite, da se ohladi.
2. Očistite področje okrog pokrova posode za gorivo. (Sl. 26)
3. Pretresite posodo in tako poskrbite za ustrezno mešanje goriva.
4. Odstranite pokrovček posode za gorivo, da sprostite pritisk.
5. Napolnite posodo za gorivo.



POZOR: Prepričajte se, da v posodi za gorivo ni preveč goriva. Gorivo ima pri višjih temperaturah večjo prostornino.

6. Zategnite pokrovček posode za gorivo.
7. Na izdelku in okoli njega očistite razlito gorivo.
8. Izdelek pred zagonom za vsaj 3 m (10 čevljev) oddalnite od mesta, kjer ste točili gorivo, in od vira goriva.

Opomba: Za mesto rezervoarja za gorivo na vašem izdelku glejte *Pregled izdelka na strani 289*.

Zagon hladnega motorja



OPOZORILO: Takoj ko se motor zažene, naprava začne izpihovati zrak, četudi je v prostem teku. Ne dovolite, da bi se v bližini pihalnika ali cevi pihalnika kdorkoli zadrževal.

1. Če je motor hladen, ročico čoka (A) namestite v položaj zaprtega čoka. Glejte *Simboli na izdelku na strani 289*. (Sl. 27)
2. Membrano črpalke za gorivo (B) pritisnite najmanj 10-krat, da se napolni z gorivom. Membrane črpalke za gorivo ni treba povsem napolniti.
3. Ročico za plin namestite v položaj za hitri prosti tek. Poravnajte oznaki vodila na ročici za plin in krmilni ročici. (Sl. 28)
4. Izdelek postavite na ravno površino na tleh.
5. Izdelek držite z levo roko in z nogo stopite na nožno ploščo. (Sl. 29)
6. Z desno roko počasi povlecite ročico zaganjalne vrvice, dokler ne začutite upora.

Opomba: Ročice zaganjalne vrvice nikoli ne izvlecite do konca in ne izpuscite ročice zaganjalne vrvice.

7. Z desno roko največ 6-krat hitro povlecite ročico zaganjalne vrvice, dokler se motor ne zažene ali poskusi zagnati. Če se motor zažene, postopoma premaknite ročico čoka v odprt položaj in nadaljujte s korakom 11. Če motorja ni mogoče zagnati, nadaljujte s korakom 9.
8. Ko poskušate zagnati motor, prestavite ročico čoka v odprt položaj.
9. Z desno roko največ 6krat hitro potegnite ročico zaganjalne vrvice, dokler se motor ne zažene.



Opomba: Če motorja ni mogoče zagnati, ponovite postopek od koraka 1 dalje.

10. Pustite, da motor deluje približno 30 sekund.

11. Ročico za plin premaknite v hitrost prostega teka. (Sl. 30)
12. Pritisnite ročica za plin, da prilagodite hitrosti pihalnika. Glejte *Uporaba ročice za plin na strani 294*.

Zagon toplega motorja

- Če je temperatura okolja nižja od 32 °C, uporabite enak postopek zagona kot *Zagon hladnega motorja na strani 294*, vendar ročice čoka ne premaknite v položaj zaprtega čoka.
- Če je temperatura okolja višja od 32 °C, uporabite isti postopek zagona kot *Zagon hladnega motorja na strani 294*.

Uporaba ročice za plin

- Če želite povečati hitrost pihalnika med delovanjem, pritisnite ročico za plin, da dosežete ustrezno hitrost. (Sl. 31)
- Če želite zmanjšati hitrost pihalnika med delovanjem, spustite ročico za plin, da dosežete ustrezno hitrost.

Zagon izdelka, ko je gorivo prevroč

Če se izdelek ne zažene, je lahko za to krivo prevročeno gorivo.

Opomba: Vedno uporabite novo gorivo in v toplem vremenu skrajšajte čas delovanja.

1. Postavite izdelek na hladno in v senco.
2. Počakajte vsaj 20 minut, da se izdelek ohladi.
3. V obdobju 10–15 sekund večkrat pritisnite membrano črpalke za gorivo.
4. Upošteвайте postopek za zagon hladnega motorja. Glejte *Zagon hladnega motorja na strani 294*.

Upravljanje izdelka

- Izdelek uporabljajte ob običajnih delovnih urah. Upošteвайте lokalne predpise.
- Zmanjšajte število kosov opreme in izberite ustrezno hitrost za opravilo. Ročico za plin uporabljajte v najnižjem možnem položaju in tako preprečite dodaten hrup in prah.
- Šoba pihalnika naj bo blizu tal.

Opomba: Husqvarna priporoča, da uporabljate celoten podaljšek šobe pihalnika.

- Zabeležite si smer vetra in izdelek uporabljajte v smeri vetra.
- Z ustreznim vrtnim orodjem odstranite material s tal.
- Na območjih s prahom območje zmočite z opremo za škropljenje. S tem se skrajša čas delovanja.
- Po delovanju postavite izdelek v navpični položaj za shranjevanje.

Izklop izdelka



POZOR: Izdelka ne zaustavljajte pri polni hitrosti.

1. Pritisnite izklopno stikalo. (Sl. 32)

Opomba: Ko se izdelek zaustavi, zaslišite klenkanje. To je običajno in ni znak okvarjenega izdelka.

2. Pas namestite okoli pasu in zaponko pripnite za pas. (Sl. 33)
3. Napnite trak pasu. (Sl. 34)
4. Pripnite zaponko za prsni pas. (Sl. 35)
5. Prilagodite položaj prsnega pasu. (Sl. 36)
6. Zategnite prsni pas. (Sl. 37)
7. Napnite naramnice, da se izdelek tesno prilaga telesu. (Sl. 38)
8. Zategnite jermene za dvig tovora. (Sl. 39)

Nastavitev oprtnika

1. Namestite oprtnik izdelka.

Vzdrževanje

Uvod



OPOZORILO: Pred izvajanjem vzdrževalnih del na izdelku morate prebrati in razumeti poglavje o varnosti.

Urnik vzdrževanja

Vzdrževanje	Dnevno	Teden-sko	Mesečno
Očistite zunanje površine.	X		
Poskrbite, da krmilna ročica pravilno deluje.	X		
Poskrbite, da stikalo za vklop/izklop deluje pravilno. Glejte <i>Preverjanje stikala za vklop/izklop na strani 292</i> .	X		
Preglejte, ali iz motorja, posode ali cevi za gorivo izteka gorivo. Preverite, ali je filter goriva onesnažen. Po potrebi zamenjajte zračni filter.	X		
Očistite zračni filter. Po potrebi zračni filter zamenjajte.	X		
Privijte matice in vijake.	X		
Preverite dovod zraka in se prepričajte, da ni blokiran.	X		
Preverite, ali sta zaganjalnik in zaganjalna vrstica poškodovana.		X	
Preverite, ali so elementi za blaženje tresljajev poškodovani, razpokani ali deformirani. Prepričajte se, da so elementi za blaženje tresljajev pravilno nameščeni.		X	
Preglejte svečko. Glejte <i>Preverjanje svečke na strani 296</i> .		X	
Očistite hladilni sistem.		X	
Očistite zunanjo površino uplinjalnika in območje okrog njega.		X	
Očistite rezervoar za gorivo.			X
Preverite vse kable in povezave.			X
Preglejte in očistite mrežico lovilnika isker na dušilniku (za izdelke brez katalizatorja).		X	

Vzdrževanje	Dnevno	Teden- sko	Mesečno
Preglejte in očistite mrežico lovilnika isker na dušilniku (za izdelke s katalizatorjem).			X
Preglejte svečko. Po potrebi jih zamenjajte.			X

Prilagajanje hitrosti prostega teka

1. Prepričajte se, da je zračni filter čist in njegov pokrov pritrjen.
2. Hitrost prostega teka prilagodite z vijakom za hitrost prostega teka. Za mesto vijaka za hitrost prostega teka na vašem izdelku glejte *Pregled izdelka na strani 289*.

Preverjanje svečke



POZOR: Uporabite priporočeno svečko. Glejte *Tehnični podatki na strani 299*. Če uporabite neustrezno svečko, se lahko izdelek poškoduje.

1. Zaustavite motor in pustite, da se izdelek ohladi.
2. Če je svečka umazana, jo očistite.
3. Prepričajte se, da je razmak pri elektrodi pravilen. Glejte razdelek *Tehnični podatki na strani 299*. (Sl. 40)
4. Svečko zamenjajte enkrat mesečno ali pogosteje, če je potrebno.

Vzdrževanje dušilnika



POZOR: Če je lovilnik isker pogosto zamašen, je to lahko znak, da je delovanje katalizatorja poslabšano. Dušilnik naj pregleda servisni zastopnik. Zamašen lovilnik isker povzroča pregrevanje, kar povzroči poškodbe valja in bata.



POZOR: Poškodovano mrežico lovilnika isker je treba zamenjati. Izdelka ne uporabljajte, če mrežica lovilnika isker ni nameščena ali je ta poškodovana.

- Očistite mrežico lovilnika isker na dušilniku. Uporabite žično krtačo. (Sl. 41)
- Po 50 urah uporabah naj dušilnik in lovilnik isker zamenja ali servisira servisni zastopnik.

Pregled in čiščenje hladilnega sistema

Hladilni sistem vključuje hladilna rebra na valju in rešetko dovoda zraka.

1. Zaustavite motor.
2. Prepričajte se, da hladilni sistem ni umazan ali zamašen. Po potrebi očistite rešetko dovoda zraka in hladilna rebra.



POZOR: Umazan ali zamašen hladilni sistem lahko poviša temperaturo izdelka, zaradi česar lahko pride do poškodb izdelka. Zamašena rešetka dovoda zraka zmanjša silo pihanja.

3. Preglejte, ali je hladilni sistem poškodovan. Zagotovite, da so deli pravilno pritrjeni na izdelek.

Čiščenje zračnega filtra



POZOR: Ne uporabljajte izdelka brez zračnega filtra ali s poškodovanim zračnim filtrom. Prah v zraku lahko poškoduje motor.

1. Ročico čoka potisnite v zaprt položaj.
 2. Odstranite pokrov zračnega filtra (A).
 3. Iz pokrova zračnega filtra odstranite predfilter (B). (Sl. 42)
 4. Z okvirja za filter odstranite zračni filter (C).
 5. Predfilter in zračni filter očistite s toplo vodo in milom.
- Opomba:** Zračnega filtra, ki ste ga dolgo uporabljali, ne morete popolnoma sčistiti. Redno menjajte zračni filter in vedno zamenjajte poškodovan zračni filter.
6. S krtačo očistite notranjo površino pokrova zračnega filtra (A).
 7. Zračni filter postavite v okvir filtra.
 8. Predfilter namestite na pokrov zračnega filtra.
 9. Pokrov zračnega filtra namestite na izdelek.

Odpravljanje težav

Motorja ni mogoče zagnati		
Kontrola	Možen vzrok	Rešitev
Zaskočne kljukice zaganjalnika.	Blokirane ali obrabljene zaskočne kljukice zaganjalnika.	Prilagodite ali zamenjajte zaskočne kljukice zaganjalnika.
		Očistite okolico zaskočnih kljukic zaskočne kljukice zaganjalnika.
		Obrnite se na pooblaščenega servisnega zastopnika.
Rezervoar za gorivo.	Nepravilna vrsta goriva.	Izpraznite rezervoar za gorivo in jo napolnite s pravilnim gorivom.
Uplinjalnik.	Nastavitev hitrosti prostega teka.	Prosti tek nastavite z nastavitvenim vijakom za prosti tek.
Iskra (ni iskre).	Svečka je umazana ali mokra.	Poskrbite, da je svečka suha in čista.
		Razmak med elektrodama na svečki ni pravi.
		Očistite svečko. Prepričajte se, da je razmak med elektrodama pravilen. Ustrezen razmak med elektrodama si oglejte v tehničnih podatkih.
Svečka.	Vžigalna svečka ni čvrsto nameščena. Na elektrodah svečk je neželjen material.	Zategnite svečko.
		Mešanica goriva mora biti ustrezna.
		Zračni filter mora biti čist.

Motor se zažene, vendar se ponovno zaustavi		
Kontrola	Možen vzrok	Rešitev
Rezervoar za gorivo.	Nepravilna vrsta goriva.	Izpraznite rezervoar za gorivo in jo napolnite s pravilnim gorivom.
Uplinjalnik.	Motor pri hitrosti prostega teka ne deluje pravilno.	Obrnite se na servisnega zastopnika.
Zračni filter.	Zamašen zračni filter.	Očistite zračni filter.

Prevoz in skladiščenje



OPOZORILO: Da preprečite nevarnost požara, se med prevozom ali skladiščenjem prepričajte, da ni puščanja ali hlapov. Prepričajte se, da ni nevarnosti iskrenja ali požara.

- Pred prevažanjem ali dolgotrajnim skladiščenjem izpraznite rezervoar za gorivo. Pritisnite membrano črpalke za gorivo, da se prepričate, da ste odstranili vse gorivo. Gorivo zavržite na temu primernem zbirnem mestu.
- Prepričajte se, da je izdelek čist in da je pred dolgotrajnim skladiščenjem opravljen popoln servis.
- Odstranite svečko in v valj nalijte približno 15 ml olja za dvotaktne motorje. Izdelek 3-krat obrnite in znova namestite svečko.
- Med prevozom izdelek varno pritrdite na vozilo.
- Izdelek hranite v suhem in čistem prostoru z dobrim pretokom zraka. Izdelek hranite zunaj dosega otrok.

Tehnični podatki

Tehnični podatki

	Husqvarna 345BT (BP152HV)
Motor	
Gibna prostornina valja v cm ³	51,7
Število vrtljajev prostega teka, vrt/min	2800
Katalizator	Da
Vžigalni sistem	
Svečka	NGK BPMR7A/Champion RCJ6Y
Razmak med elektrodama, mm	0,6–0,7
Zatezni moment svečke, Nm	25–30
Sistem za gorivo in mazanje	
Kapaciteta rezervoarja goriva v l/cm ³	1,0/1000
Teža	
Teža brez goriva, kg	10,0
Emisije hrupa ⁷⁰	
Raven zvočne moči, izmerjena v dB(A)	110
Raven zvočne moči, zajamčena L _{WA} v dB(A)	113
Nivoji hrupa ⁷¹	
Ekvivalenten nivo jakosti zvoka na uporabnikovem ušesu, merjeno po EN15503 dB(A):	
Opremljen s šobo pihalnika (originalno)	101
Ravni vibracij ⁷²	
Ekvivalentne ravni vibracij (a _{hv,eq}) v ročajih, izmerjene v skladu z EN 15503, m/s ²	6,1
Zmogljivost ventilatorja	
Najvišja hitrost zraka pri šobi za visoke hitrosti v m/s	98,3
Zračni pretok brez šobe za visoke hitrosti, m ³ /min	13,9

⁷⁰ Emisije hrupa v okolje, merjene kot moč zvoka (L_{WA}), v skladu z direktivo ES 2000/14/ES. Navedena raven zvočne moči naprave je bila izmerjena z originalnim rezalnim priključkom, ki dosega najvišjo raven. Razlika med zajamčeno in izmerjeno ravno zvočne moči je, da zajamčena raven zvočne moči v skladu z Direktivo 2000/14/ES vključuje tudi razpršitev rezultata meritve in razlike med različnimi napravami istega modela.

⁷¹ Zabeleženi podatki za nivo zvočnega tlaka imajo tipično statistično razpršitev (standardni odklon) 3,0 dB(A).

⁷² Zabeleženi podatki za raven vibracij imajo tipično statistično razpršitev (standardni odklon) 1,5 m/s².

Izjava ES o skladnosti

Izjava ES o skladnosti

Pri Husqvarna AB, SE 561 82 Huskvarna, ŠVEDSKA, na lastno odgovornost izjavljamo, da je predstavljeni izdelek:

Opis	Bencinski pihalnik/pihalnik-sesalnik
Znamka	Husqvarna
Platforma/vrsta/model	Platforma BP152HV, natančneje model 345BT.
Serija	Serijske številke od letnika 2022 dalje.

Pär Martinsson

Odgovorni za tehnično dokumentacijo



v celoti skladen z naslednjimi direktivami in uredbami EU:

Direktiva/uredba	Opis
2006/42/ES	"o strojih"
2014/30/EU	"o elektromagnetni združljivosti"
2000/14/ES	»o zunanjem hrupu«
2011/65/EU	»o omejevanju uporabe nekaterih nevarnih snovi«

Usklajeni standardi in/ali tehnične specifikacije v veljavi: EN ISO 12100:2010, EN 15503:2009+A2, CISPR 12:2007, EN ISO 14982:2009, EN IEC 63000:2018, EN IEC 63000:2018

V skladu z direktivo 2000/14/ES, priloga V, so določene ravni zvoka navedene v poglavju s tehničnimi podatki v tem priročniku.

TÜV Rheinland je v imenu družbe Husqvarna AB opravil prostovoljen tipski pregled in sestavil dokument AM 50391742 – Certifikat o skladnosti z direktivo Sveta ES 2006/42/ES o strojih.

Certifikat o opravljenem tipskem pregledu velja za vse proizvodne lokacije in države porekla, navedene na izdelku.

Dobavljeni bencinski pihalnik/sesalnik je enak primerku, na katerem je bil opravljen pregled.

V imenu Husqvarna AB, SE-561 82 Huskvarna, ŠVEDSKA,

Sadržaj

Uvod.....	301	Rešavanje problema.....	309
Bezbednost.....	302	Transport i skladištenje.....	310
Sklapanje.....	304	Tehnički podaci.....	311
Rukovanje.....	305	EZ deklaracija o usaglašenosti.....	312
Održavanje.....	307		

Uvod

Opis proizvoda

Proizvod je ledni duvač sa SUS motorom.

Naša politika je neprekidan razvoj proizvoda i zato zadržavamo pravo da modifikujemo dizajn i izgled proizvoda, bez prethodnog obaveštenja.

Pregled proizvoda

(Sl. 1)

1. Ručica komande gasa
2. Okvir
3. Uprtač
4. Poklopac motora
5. Poklopac ventilatora
6. Mrežica dovoda vazduha
7. Filter za vazduh
8. Ručica užeta startera
9. Rezervoar za gorivo
10. Kaiš za struk
11. Svećica
12. Sistem prigušenja vibracija
13. Kontrola čoka
14. Komandna ručica
15. Prekidač za zaustavljanje sa komandom gasa
16. Prekidač gasa
17. Savijena cev
18. Obujmica
19. Savitljivo crevo
20. Kontrolna cev
21. Kablovska stezaljka
22. Srednja cev
23. Mlaznica duvača
24. Korisničko uputstvo
25. Kombinovani kluč
26. Pumpa za vazduh
27. Izduvna cev vazduha velike brzine
28. Zavrtanj za podešavanje praznog hoda
29. Ventilator
30. Ploča za stopala

Namena

Proizvod služi za duvanje lišća i drugog nepoželjnog materijala iz oblasti kao što su travnjaci, staze i asfaltirani putevi.

Simboli na proizvodu

- (Sl. 2) UPOZORENJE! Ovaj proizvod može biti opasan i prouzrokovati teške povrede ili smrt rukovaoca ili drugih osoba. Budite pažljivi i koristite proizvod na pravilan način.
- (Sl. 3) Pre korišćenja pažljivo pročitajte korisničko uputstvo i uverite se da razumete njegov sadržaj.
- (Sl. 4) Koristite odobrenu zaštitu za uši i oči. Ako je okruženje prašnjavo, koristite masku za disanje.
- (Sl. 5) Koristite odobrene zaštitne rukavice tokom rada i održavanja. Koristite zaštitnu obuću sa nekližućim đonom. Koristite obuću pune dužine od jake tkanine.
- (Sl. 6) Obavezno podignite dugu kosu iznad ramena.
- (Sl. 7) Nemojte da tokom rada nosite nakit ili široku odeću.
- (Sl. 8) Mešavina benzina i ulja za dvotaktni motor.
- (Sl. 9) Pumpa za vazduh.
- (Sl. 10) Držite delove tela podalje od vrućih površina.
- (Sl. 11) Ne približavajte se usisnoj turbini dok se okreće.

- (Sl. 12) Čok, otvoren položaj.
- (Sl. 13) Čok, zatvoren položaj.
- (Sl. 14) Zavrtanj za podešavanje praznog hoda.
- (Sl. 15) Proizvod je usaglašen sa važećim direktivama EZ.
- (Sl. 16) Proizvod je usaglašen sa važećim direktivama UK.
- (Sl. 17) Emisije buke u okruženju u skladu sa evropskom Direktivom 2000/14/EZ i propisom o zaštiti radova u okruženju (kontrola buke) Novog Južnog Velsa iz 2017. Podaci o emisiji buke su navedeni na nalepnici mašine i u poglavlju Tehnički podaci.

Pazite na izbačene predmete. Izbačeni predmeti mogu da nanesu teške povrede. Koristite ličnu zaštitnu opremu.

- (Sl. 18)
- (Sl. 19) Ljudi i životinje treba da budu na bezbednom rastojanju, najmanje 15 m.

yyyywwxxxx

Pločica tipa ili lasersko štampanje prikazuje serijski broj. **yyyy** je godina proizvodnje, a **ww** je nedelja proizvodnje.

Napomena: Ostali simboli/nalepnice na proizvodu se odnose na zahteve u vezi sa sertifikacijom na drugim tržištima.

Odgovornost za proizvod

Kako je izloženo u zakonima o odgovornosti za proizvode, mi nismo odgovorni za oštećenja prouzrokovana našim proizvodom u sledećim slučajevima:

- proizvod je popravljen na pogrešan način
- proizvod je popravljen korišćenjem delova koji nisu napravljeni ili odobreni od strane proizvođača
- proizvod ima opremu koja ne potiče ili nije odobrena od strane proizvođača
- proizvod nije popravljen u ovlašćenom servisnom centru ili od strane ovlašćenog stručnjaka

Bezbednost

Bezbednosne definicije

Definicije navedene u nastavku pružaju nivo ozbiljnosti za svaku signalnu reč.



UPOZORENJE: Telesne povrede osoba.



OPREZ: Oštećenje proizvoda.

Napomena: Ove informacije olakšavaju korišćenje proizvoda.

Opšta bezbednosna uputstva



UPOZORENJE: Pročitajte upozoravajuća uputstva koja slede pre korišćenja proizvoda.

- Ne prepravljajte proizvod bez odobrenja proizvođača i uvek koristite originalne dodatke. Neodobrene

prepravke i/ili dodaci mogu da dovedu do teških povreda ili smrti rukovaoca i drugih osoba.

- Nemojte koristiti oštećeni proizvod. Obavljajte bezbednosne provere i održavanje opisano u priručniku za rukovaoca. Sve druge radove održavanja mora obaviti ovlašćeni serviser.
- Sve druge radove popravki i održavanja mora obaviti ovlašćeni serviser. Ako je deo proizvoda neispravan, obratite se serviseru.

Bezbednost vibracija

Ovaj se proizvod primenjuje samo za povremeni rad. Kontinuirani ili redovan rad sa proizvodom može da prouzrokuje Rejnoov fenomen ili ekvivalentne medicinske probleme koji proističu iz izloženosti vibracijama. Pregledajte stanje šaka i prstiju ako kontinuirano ili redovno rukujete proizvodom. Ako na vašim šakama ili prstima postoje promene boje, imate bolove, peckanje ili utrnulost u šakama ili prstima, prekinite rad i odmah se obratite lekaru.

Bezbednosna uputstva za rad



UPOZORENJE: Pročitajte upozoravajuća uputstva koja slede pre korišćenja proizvoda.

- Ovaj proizvod može biti opasan i prouzrokovati teške povrede ili smrt rukovaoca ili drugih osoba. Budite pažljivi i koristite proizvod na pravilan način.
- Pregledajte proizvod pre upotrebe. Pogledajte *Održavanje na stranici 307*.
- Ne koristite uređaj ako ste umorni, bolesni ili pod utjecajem alkohola i drugih supstanci koje mogu da vam ometaju vid, rasuđivanje i koncentraciju.
- Pre korišćenja postavite sve poklopce i štitnike. Da biste sprečili strujni udar, uverite se da kapica svećice i kabl za paljenje nisu oštećeni.
- Ne dodirujte svećicu ni kabl za paljenje dok motor radi.
- Ljudi i životinje treba da budu na bezbednom rastojanju, najmanje 15 m. Ako osobe ili životinje pridu na manje od 15 m, zaustavite proizvod. Ne usmeravajte proizvod ka osobama, licima, otvorenim prozorima i drugim predmetima.
- Ne dozvolite deci da rukuju proizvodom. Veoma je važno da svi rukovaoci pročitaju i shvate sadržaj ovog korisničkog uputstva.
- Tokom rada držite šake dalje od kućišta duvača. Delovi koji rotiraju mogu da nanesu teške povrede.
- Ne koristite proizvod ako mrežica dovoda vazduha nije postavljena. Uvek se pre upotrebe uverite da mrežica dovoda vazduha nije oštećena i da je na svom mestu.
- U vanrednim situacijama, otpustite grudni i pojasni remen i pustite da proizvod padne.
- Poštujte državne zakone i propise.
- Držite delove tela podalje od vrućih površina.
- Previše vibracija može da ošteti nervni sistem ili vratok. Obratite se doktoru ako uočite simptome kao što su obamrlost, gubitak osećaja, golicanje, bockanje, bol, gubitak snage ili promena boje kože na prstima, šakama ili zglobovima.
- Pazite na izbačene predmete. Izbačeni predmeti mogu da nanesu teške povrede.
- Nemojte rukovati proizvodom po lošem vremenu, kao što je magla, kiša, jak vetar i velika hladnoća. Rad po lošem vremenu zamara i može da izazove opasne uslove.
- Uverite se da možete da se krećete i da ste u stabilnom položaju. Proverite ima li u radnom prostoru prepreka, npr. kamenja. Budite pažljivi kada koristite proizvod na nagibima.
- Ne ostavljajte proizvod na tlo ako mu motor radi.
- Ne koristite proizvod na visokim mestima, na primer sa merdevina.
- Uverite se da neko uvek može da vas čuje u slučaju nezgode.
- Uverite se da auspuh nije blokiran. Da biste sprečili oštećenje proizvoda, prepreke treba da budu udaljene najmanje 50 cm od auspuha.
- Nemojte pokretati proizvod u zatvorenom prostoru, na mestima sa lošom cirkulacijom vazduha ili blizu zapaljivih materijala. Izduvni gasovi iz motora sadrže ugljen-monoksid, koji može da izazove trovanje.

Izduvni gasovi su vrući i mogu da sadrže varnicu koja može da pokrene požar.

Lična zaštitna oprema



UPOZORENJE: Pročitajte upozoravajuća uputstva koja slede pre korišćenja proizvoda.

- Koristite odobrenu ličnu zaštitnu opremu kad koristite proizvod. Lična zaštitna oprema ne može da u potpunosti spreči telesnu povredu, ali umanjuje težinu telesne povrede. Obratite se prodavcu za više informacija.
- Koristite odobrenu zaštitu za sluh. Dugotrajno izlaganje buci može prouzrokovati trajne povrede sluha.
- Koristite odobrenu zaštitu za oči. Prilikom korišćenja vizira istovremeno se moraju koristiti odobrene zaštitne naočare. Odobrene zaštitne naočare moraju da ispunjavaju standard ANSI Z87.1 u SAD ili EN 166 u zemljama Evropske unije.
- Koristite zaštitne rukavice tokom rada i održavanja.
- Koristite zaštitnu obuću sa neklizućim đonom.
- Koristite obuću pune dužine od jake tkanine. Ne nosite nakit i ne nosite otvorenu obuću. Da biste smanjili opasnost od povrede, odeća treba da bude pripijena, ali ne sme da ograničava pokrete. Vežite osu iznad ramena ako je duga, da ne bi ušla u rotirajuće delove ili hvatala grančice.
- Koristite zaštitu za disajne organe ako je moguće podizanje prašine.
- Neka vam komplet za prvu pomoć bude u blizini.

Bezbednosni uređaji na proizvodu



UPOZORENJE: Pročitajte upozoravajuća uputstva koja slede pre korišćenja proizvoda.

- Nemojte koristiti proizvod na kojem su oštećeni bezbednosni uređaji.
- Redovno proveravajte bezbednosne uređaje. Pogledajte *Održavanje na stranici 307*.
- Ako su bezbednosni uređaji neispravni, obratite se Husqvarna prodavcu.

Da biste proverili prigušivač



UPOZORENJE: Nemojte koristiti proizvod sa oštećenim prigušivačem.



UPOZORENJE: Prigušivači postaju veoma vrući tokom i posle rada, kao i pri brzini praznog hoda. Nosite zaštitne rukavice da biste sprečili pojavu opekotina.



UPOZORENJE: Unutrašnjost prigušivača sadrži hemikalije koje mogu biti kancerogene. Ne dodirujte prigušivač ako je vreo.

- Redovno vizuelno proveravajte prigušivač. Prigušivač održava nivo buke na minimumu i šalje izduvne gasove od rukovaoca. Pogledajte *Pregled i čišćenje sistema za hlađenje na stranici 308*.

Da biste proverili sistem prigušenja vibracija

1. Uverite se da na jedinicama za prigušivanje vibracija nema pukotina i deformacija.
2. Proverite da li je element za prigušivanje vibracija dobro pričvršćen na jedinice motora i ručke.

Pogledajte *Pregled proizvoda na stranici 301* za informacije o tome gde na proizvodu se nalazi sistem za prigušivanje vibracija.

Provera rada prekidača za pokretanje/zaustavljanje

1. Upotrebite prekidač za pokretanje/zaustavljanje da biste zaustavili motor.
2. Uverite se da se motor potpuno zaustavio.

Pogledajte *Pregled proizvoda na stranici 301* da biste videli gde na proizvodu se nalazi prekidač za pokretanje / zaustavljanje.

Bezbednost uprtača

Uvek koristite uprtač dok koristite proizvod. Ako ne koristite remen, ne možete da bezbedno rukujete proizvodom. Ovo može da povredi vas ili druge osobe. Postarajte se da kaiš oko struka i kaiš na grudima budu zakopčani i pravilno podešeni. Postoji rizik da nezakopčan kaiš dospe u ventilator proizvoda.

(Sl. 20)

Bezbednost oko goriva



UPOZORENJE: Pročitajte upozoravajuća uputstva koja slede pre korišćenja proizvoda.

- Nemojte mešati gorivo u zatvorenom prostoru ili blizu izvora toplote.
- Nemojte pokretati proizvod ako se na njemu ili na vama nalazi ulje ili gorivo.
- Nemojte pokretati proizvod ako postoji curenje iz motora. Redovno proveravajte da li postoji curenje iz motora.
- Budite oprezni pri radu sa gorivom. Gorivo je zapaljivo a isparenja su eksplozivna i mogu izazvati teške povrede ili smrt.
- Nemojte udisati isparenja goriva, to može izazvati telesnu povredu. Pobrinite se da ima dovoljno protoka vazduha.
- Nemojte pušiti u blizini goriva ili motora.
- Nemojte stavljati proizvod ni sud sa gorivom blizu toplih predmeta, blizu otvorenog plamena, varnica ili pilot svetla.
- Uvek koristite odobrene kanistere za čuvanje i transport goriva.

Bezbednosna uputstva za održavanje



UPOZORENJE: Pročitajte upozoravajuća uputstva koja slede pre korišćenja proizvoda.

- Zaustavite motor, skinite svećicu i sačekajte da se motor ohladi pre održavanja i sklapanja.
- Zapušen hvatač varnica uzrokuje prekomerno zagrevanje motora, što za posledicu ima oštećenje motora.
- Ako je hvatač varnica često zapušten to može biti znak da je smanjen učinak katalizatora. Obratite se servisu radi pregleda prigušivača.

Sklapanje

Uvod



UPOZORENJE: Pre sklapanja proizvoda je potrebno da pročitate i razumete poglavlje o bezbednosti.

Postavljanje cevi duvača i kontrolne ručice na proizvod

Napomena: Podmažite cevi i savitljivo crevo da biste ih lakše sastavili.

1. Pričvrstite savitljivo crevo na (A) savijenu cev i kontrolnu cev (B) spojnicama (C) i (D). (Sl. 21)

- Pričvrstite držač ručke (E) na kontrolnu cev. Poravnajte držač ručke sa priрубnicom na kontrolnoj cevi. (Sl. 22)
- Podesite položaj kontrolne ručice tako da bude u bezbednom i pravilnom položaju za rad. Zategnite navrtku.
- Pričvrstite kabl na savitljivo crevo pomoću obujmice kabla. (Sl. 23)

- Pričvrstite srednju cev na kontrolnu cev. (Sl. 24)
- Pričvrstite mlaznicu duvača na srednju cev.

Napomena: Mlaznica duvača može da se postavi samo na srednju cev.

- Ako želite veću brzinu vazduha, postavite brzu mlaznicu na mlaznicu duvača.

Rukovanje

Uvod



UPOZORENJE: Pre korišćenja proizvoda je potrebno da pročitate i razumete poglavlje o bezbednosti.

sa vodenim hlađenjem, koje se takođe naziva ulje za vanbrodske motore. Nemojte koristiti ulje za četvorotaktne motore.

Gorivo

Ovaj proizvod ima dvotaktni motor.



OPREZ: Neodgovarajući tip goriva može da ošteti motor. Koristite mešavinu benzina i ulja za dvotaktni motor.

Pravljenje mešavine benzina i ulja za dvotaktne motore

Benzin, litara	Ulje za dvotaktne motore, litara
	2% (50:1)
5	0,10
10	0,20
15	0,30
20	0,40

Unapred smešano gorivo

- Koristite Husqvarna unapred smešano alkilatno gorivo za najbolje radne karakteristike i produžetak radnog veka motora. To gorivo sadrži manje štetnih hemikalija od običnog goriva i tako smanjuje štetne izduvne gasove. Količina ostataka posle sagorevanja je niža u ovom gorivu, pa komponente motora ostaju čistije.

Mešanje goriva

Benzin

- Koristite kvalitetan bezolovni benzin sa maksimalno 10% etanola.



OPREZ: Nemojte koristiti benzin sa oktanskim brojem manjim od 90 RON / 87 AKI. Korišćenje benzina manjeg oktanskog broja može da izazove štetno detonantno sagorevanje u motoru.



OPREZ: Male greške mogu znatno da utiču na odnos u mešavini kad mešate male količine goriva. Pažljivo izmerite količinu ulja koja će se koristiti za mešavinu da biste dobili tačan odnos u mešavini.

Ulje za dvotaktne motore

- Najbolje rezultate daje Husqvarna ulje za dvotaktne motore.
- Ako Husqvarna ulje za dvotaktne motore nije dostupno, koristite drugo ulje za dvotaktne motore dobrog kvaliteta za motore sa vazdušnim hlađenjem. Obratite se dileru za izbor odgovarajućeg ulja.



OPREZ: Ne pravite mešavinu za duže od 1 mesec unapred.

Punjenje rezervoara za gorivo



UPOZORENJE: Pratite postupak koji sledi radi vaše bezbednosti.



OPREZ: Nemojte koristiti ulje za dvotaktne motore za vanbrodske motore

- Zaustavite motor i pustite da se ohladi.
- Obrišite deo oko čepa rezervoara za gorivo. (Sl. 26)

- Promućkajte kantu i uverite se da se gorivo u potpunosti izmešalo.
- Polako otvorite čep rezervoara za gorivo da biste izjednačili pritisak.
- Napunite rezervoar za gorivo.



OPREZ: Uverite se da u rezervoaru nema previše goriva. Gorivo se širi kad se zagreje.

- Pažljivo zategnite čep rezervoara za gorivo.
- Obrišite gorivo koje je prosuto na i oko proizvoda.
- Pomerite proizvod 3 m / 10 stopa ili dalje od mesta i izvora dolivanja goriva pre pokretanja motora.

Napomena: Pogledajte *Pregled proizvoda na stranici 301* da biste videli gde na proizvodu se nalazi rezervoar za gorivo.

Pokretanje hladnog motora



UPOZORENJE: Vazduh se izduvava čim se motor pokrene, čak i u praznom hodu. Ne dozvolite da iko stoji blizu duvača ili cevi duvača.

- Ako je motor hladan, stavite regulator čoka (A) u položaj zatvorenog čoka. Pogledajte *Simboli na proizvodu na stranici 301* (Sl. 27)
- Pritisčajte pumpu za izbacivanje vazduha (B) bar 10 puta, dok gorivo ne počne da se ulazi u nju. Nije potrebno da se pumpa za vazduh potpuno napuni.
- Pomerite komandu gasa u položaj brzog praznog hoda. Poravnajte markere na ručici komande gasa i kontrolnoj ručici. (Sl. 28)
- Položite proizvod na ravnu površinu.
- Držite proizvod levom rukom i stavite stopalo na ploču za stopala. (Sl. 29)
- Polako desnom rukom povlačite uže startera dok ne osetite otpor.

Napomena: Ne izvlačite uže startera do kraja i ne puštajte ručicu uzeta startera.

- Desnom rukom brzo povlačite startno uže dok se motor ne pokrene ili ne proba da se pokrene, ali ne više od 6 puta. Ako se motor pokrene, postepeno gurnite polugu čoka u otvoren položaj i nastavite na korak br. 9.
- Ako motor počne da se pokreće, postepeno gurnite polugu čoka u otvoren položaj.
- Desnom rukom brzo povlačite startno uže dok se motor ne pokrene, ali ne više od 6 puta.



Napomena: Ako se motor ne pokrene, ponovite postupak za pokretanje od koraka br. 1.

- Pustite da motor radi 30 sekundi.
- Gurnite komandu gasa u položaj praznog hoda. (Sl. 30)
- Pritisčajte obarač gasa da biste podesili brzinu duvača. Pogledajte *Korišćenje obarača gasa na stranici 306*

Pokretanje toplog motora

- Ako je temperatura sredine manja od 32°C/90°F, koristite isti postupak za pokretanje kao za *Pokretanje hladnog motora na stranici 306*, ali ne stavljajte komandu čoka u položaj zatvorenog čoka.
- Ako je temperatura sredine veća od 32°C/90°F, koristite isti postupak za pokretanje kao za *Pokretanje hladnog motora na stranici 306*.

Korišćenje obarača gasa

- Da biste povećali brzinu duvača tokom rada, povlačite obarač gasa dok ne dođete na željenu brzinu. (Sl. 31)
- Da biste smanjili brzinu duvača tokom rada, otpuštajte obarač gasa dok ne dođete na željenu brzinu.

Pokretanje motora sa pretoplim gorivom

Ako se proizvod ne pokrene, možda je gorivo pregrejano.

Napomena: Uvek koristite novo gorivo i radite kraće po toplom vremenu.

- Stavite proizvod na hladno mesto dalje od direktnog sunčevog svetla.
- Sačekajte bar 20 minuta da se proizvod ohladi.
- Pritisčajte pumpicu za vazduh ponovo i ponovo 10–15 sekundi.
- Pratite postupak pokretanja hladnog motora. Pogledajte *Pokretanje hladnog motora na stranici 306*.

Rad sa proizvodom

- Koristite proizvod u uobičajeno radno vreme. Poštujte lokalne propise.
- Smanjite broj opreme koji se koristi i izaberite odgovarajuću brzinu za zadatak. Koristite gas na najslabijem prihvatljivom podešavanju da biste smanjili stvaranje nepotrebne buke i prašine.
- Mlaznica duvača treba da bude blizu tla.

Napomena: Husqvarna preporučuje da koristite najveći produžetak mlaznice duvača.

- Utvrdite smer vetra i koristite proizvod niz vetar.
- Za vađenje materijala iz tla koristite odgovarajuće baštenske alatke.
- Pokvasite prašnjave površine pre rada raspršivačem. To smanjuje vreme potrebno za rad.
- Posle rada odložite proizvod u uspravnom položaju.

Zaustavljanje proizvoda



OPREZ: Ne zaustavljajte proizvod dok radi punom brzinom.

1. Pritisnite taster za zaustavljanje. (Sl. 32)

Napomena: Kad se proizvod zaustavlja, možete da čujete kuckanje. To je normalno i ne znači da je proizvod neispravan.

Podešavanje uprtača

1. Postavite uprtač na proizvod.
2. Stavite kaiš za struk oko struka i zatvorite kopču. (Sl. 33)
3. Pritegnite kaiš za struk. (Sl. 34)
4. Pričvrstite kopču kaiša na traku za grudi. (Sl. 35)
5. Podesite položaj kaiša za grudi. (Sl. 36)
6. Zategnite kaiš na grudima. (Sl. 37)
7. Zatežite kaiš za ramena dok vam proizvod čvrsto ne nalegne na telo. (Sl. 38)
8. Pritegnite trake podizača tereta. (Sl. 39)

Održavanje

Uvod



UPOZORENJE: Pre održavanja proizvoda je potrebno da pročitate i razumete poglavlje o bezbednosti.

Šema održavanja

Održavanje	Dnevno	Nedeljno	Mesečno
Očistite spoljne površine.	X		
Uverite se da komandna drška ispravno radi.	X		
Uverite se da prekidač za pokretanje/zaustavljanje pravilno radi. Pogledajte <i>Provera rada prekidača za pokretanje/zaustavljanje na stranici 304</i>	X		
Pregledajte motor, rezervoar za gorivo i vodove za gorivo u pogledu curenja. Pregledajte da li postoji oštećenje na filteru za gorivo. Zamenite filter za vazduh ako je potrebno.	X		
Očistite filter za vazduh. Zamenite filter za vazduh ako je potrebno.	X		
Pritegnite navrtke i zavrtnje.	X		
Pregledajte usisnik vazduha da biste se uverili da nije zapušten.	X		
Pregledajte starter i uže startera u pogledu oštećenja.		X	
Proverite da li su jedinice za prigušivanje vibracija oštećene, naprsle ili deformisane. Uverite se da su jedinice za prigušivanje vibracija pravilno postavljene.		X	
Proverite svećicu. Pogledajte <i>Pregled svećice na stranici 308</i>		X	
Očistite sistem za hlađenje.		X	

Održavanje	Dnevno	Nedeljno	Mesečno
Očistite spoljnu površinu karburatora i prostor oko njega.		X	
Očistite rezervoar za gorivo.			X
Pregledajte sve kablove i veze.			X
Pregledajte i očistite mrežicu hvatača varnica na prigušivaču (za proizvode bez katalizatora).		X	
Pregledajte i očistite mrežicu hvatača varnica na prigušivaču (za proizvode sa katalizatorom).			X
Proverite svećicu. Zamenite ako je potrebno.			X

Podešavanje brzine praznog hoda

1. Uverite se da je filter za vazduh čist i da je poklopac filtera za vazduh postavljen.
2. Prilagodite brzinu praznog hoda pomoću zavrtnja za prazan hod. Pogledajte *Pregled proizvoda na stranici 301* da biste videli gde na proizvodu se nalazi zavrtnj za prazan hod.

Pregled svećice



OPREZ: Koristite preporučenu svećicu. Pogledajte *Tehnički podaci na stranici 311*. Neodgovarajuća svećica može izazvati oštećenje proizvoda.

1. Zaustavite motor i sačekajte da se ohladi.
2. Očistite svećicu ako je zaprljana.
3. Uverite se da je zazor između elektroda odgovarajući. Pogledajte *Tehnički podaci na stranici 311*. (Sl. 40)
4. Menjajte svećicu mesečno ili češće ako je potrebno.

Održavanje prigušivača



OPREZ: Ako je hvatač varnica često zapušten to može biti znak da je smanjen učinak katalizatora. Obratite se servisu radi pregleda prigušivača. Zapušena mrežica hvatača varnica će prouzrokovati pregrevanje i dovesti do oštećenja cilindra i klipa.



OPREZ: Hvatač varnica mora biti zamenjen ako je oštećen. Nemojte koristiti proizvod ako nedostaje hvatač varnica na prigušivaču ili ako je oštećen.

- Očistite mrežicu hvatača varnica na prigušivaču. Koristite žičanu četku. (Sl. 41)
- Posle 50 sati rada, serviser ili prodavac treba da zamene prigušivač i hvatač varnica.

Pregled i čišćenje sistema za hlađenje

Sistem za hlađenje se sastoji od peraja za hlađenje na cilindru i usisnika vazduha.

1. Zaustavite motor.
2. Uverite se da sistem za hlađenje nije prijav ili zapušten. Ako je potrebno, očistite mrežicu dovoda vazduha i rashladna peraja.



OPREZ: Prijav ili zapušten sistem za hlađenje će dovesti do rasta temperature motora, što može da ošteti proizvod. Zapušena mrežica dovoda vazduha smanjuje silu duvanja.

3. Pregledajte ima li oštećenja na rashladnom sistemu. Uverite se da su delovi pravilno postavljeni na proizvod.

Čišćenje filtera za vazduh



OPREZ: Ne koristite proizvod bez filtera za vazduh ili sa prljavim filterom za vazduh. Prašina u vazduhu može da ošteti motor.

1. Pomerite čok u zatvoren položaj.
2. Uklonite poklopac filtera za vazduh (A).
3. Uklonite prefilter (B) sa poklopca filtera za vazduh. (Sl. 42)
4. Izvadite filter za vazduh (C) iz kućišta filtera.
5. Očistite prefilter i filter za vazduh toplom vodom i sapunom.

Napomena: Dugo korišćen filter za vazduh ne može da se potpuno očisti. Redovno menjajte filter za vazduh i uvek zamenite neispravan filter za vazduh.

6. Očistite unutrašnju površinu poklopca filtera za vazduh (A) četkom.
7. Stavite filter za vazduh u kućište filtera.
8. Postavite prefilter na poklopac filtera za vazduh.
9. Postavite poklopac filtera za vazduh na proizvod.

Rešavanje problema

Motor se ne pokreće		
Provera	Mogući uzrok	Rešenje
Startne kopče.	Blokirane ili pohabane startne kopče.	Podesite ili zamenite startne kopče.
		Očistite prostor oko startnih kopči.
		Obratite se ovlašćenom servisnom centru.
Rezervoar za gorivo.	Neispravni tip goriva.	Ispraznite rezervoar za gorivo i dopunite odgovarajućim gorivom.
Karburator.	Podešavanje brzine praznog hoda.	Prilagodite brzinu praznog hoda pomoću zavrtnja za podešavanje.
Varničenje (nema varnica).	Svećica je zamašćena ili mokra.	Postarajte se da svećica bude suva i čista.
	Zazor elektroda svećice nije tačan.	Očistite svećicu. Uverite se da je zazor između elektroda odgovarajući. Informacije o tačnom zazoru elektroda potražite u tehničkim podacima.
Svećica.	Svećica je labava.	Zategnite svećicu.
	Na elektroda- ma svećice ima naslaga.	Uverite se da je mešavina dobro napravljena. Uverite se da je filter za vazduh čist.

Motor se pokreće, ali se opet zaustavlja		
Provera	Mogući uzrok	Rešenje
Rezervoar za gorivo.	Neispravni tip goriva.	Ispraznite rezervoar za gorivo i koristite odgovarajuće gorivo.
Karburator.	Motor ne radi ispravno u brzini praznog hoda.	Obratite se serviseru.
Filter za vazduh.	Filter za vazduh je zapušten.	Očistite filter za vazduh.

Transport i skladištenje



UPOZORENJE: Da biste sprečili opasnost od požara, uverite se da tokom transporta i skladištenja nema curenja i isparavanja goriva. Uverite se da nema opasnosti od varničenja i plamena.

- Ispraznite rezervoar za gorivo pre dugotrajnog skladištenja ili transporta. Pritisnite pumpu za vazduh da biste izbacili gorivo iz nje. Gorivo odbacujte na odgovarajućoj lokaciji za odbacivanje.
- Uverite se da je proizvod očišćen i da je urađen kompletan servis pre dugotrajnog skladištenja.
- Izvadite svećicu i sipajte približno 15 ml ulja za dvotaktne motore u cilindar. Okrenite proizvod 3 puta i vratite svećicu na mesto.
- Dobro pričvrstite proizvod za vozilo tokom transporta.
- Čuvajte proizvod na suvom i čistom mestu sa dobrim protokom vazduha. Držite proizvod van domašaja dece.

Tehnički podaci

Tehnički podaci

	Husqvarna 345BT (BP152HV)
Motor	
Zapremina cilindra, cm ³	51,7
Brzina praznog hoda, o/min	2800
Katalizator	Da
Sistem paljenja	
Svećica	NGK BPMR7A / Champion RCJ6Y
Zazor elektroda, mm	0,6–0,7
Moment pritezanja svećice, Nm	25–30
Sistem za gorivo i podmazivanje	
Kapacitet rezervoara za gorivo, l/cm ³	1,0/1000
Težina	
Težina bez goriva, kg	10,0
Emisija buke ⁷³	
Nivo zvučne snage, mereno dB (A)	110
Nivo zvučne snage, garantovano L _{WA} dB (A)	113
Nivoi zvuka ⁷⁴	
Ekvivalent nivoa zvučnog pritiska na uho rukovaoca, mereno prema standardu EN15503 dB(A):	
Opremljeno cevi duvača (original)	101
Nivoi vibracije ⁷⁵	
Ekvivalentni nivoi vibracija (a _{hV,eq}) na ručkama, mereni u skladu sa EN 15503, m/s ²	6,1
Učinak ventilatora	
Maks. brzina vazduha sa mlaznicom velike brzine, m/s	98,3
Protok vazduha bez mlaznice velike brzine, m ³ /min	13,9

⁷³ Emisije buke u životnoj sredini merene kao zvučna snaga (L_{WA}) u skladu sa direktivom 2000/14/EZ. Izveštajni nivo zvučne snage za mašinu meren je sa originalnim priključkom za košenje koji daje najviši nivo. Razlika između garantovanog i izmerenog nivoa zvučne snage je da garantovana zvučna snaga takođe obuhvata raspršenje rezultata merenja i razlike između različitih mašina istog modela u skladu sa Direktivom 2000/14/EZ.

⁷⁴ Prijavljeni podaci za nivo zvučnog pritiska imaju tipičnu statističku disperziju (standardna devijacija) od 3,0 dB (A).

⁷⁵ Podaci o nivou vibracije imaju tipičnu statističku disperziju (standardno odstupanje) od 1,5 m/s².

EZ deklaracija o usaglašenosti

EC deklaracija o usaglašenosti

Mi, kompanija Husqvarna AB, SE 561 82 Huskvarna, ŠVEDSKA, izjavljujemo pod sopstvenom odgovornošću da je predstavljeni proizvod:

Opis	Benzinski duvač / duvač-uisivač
Marka	Husqvarna
Platforma/tip/model	Platforma BP152HV, reprezentativni model 345BT.
Serija	Serijski broj od 2022. i nadalje.

u potpunosti usaglašen sa sledećim EU direktivama i propisima:

Direktiva/propis	Opis
2006/42/EZ	„koji se odnose na mašine“
2014/30/EU	„koji se odnose na elektromagnetsku kompatibilnost“
2000/14/EZ	„koji se odnose na buku u otvorenom prostoru“
2011/65/EU	„koji se odnose na ograničenje upotrebe određenih opasnih supstanci“

Primenjeni harmonizovani standardi i/ili tehničke specifikacije su sledeće: EN ISO 12100:2010, EN 15503:2009+A2, CISPR 12:2007, EN ISO 14982:2009, EN IEC 63000:2018, EN IEC 63000:2018

U skladu sa Direktivom 2000/14/EC, Aneks V, deklarirane vrednosti jačine zvuka su izložene u odeljku o tehničkim podacima u ovom uputstvu.

TÜV Rheinland je izvršio volonterski pregled u ime kompanije Husqvarna AB i pružio je AM 50391742 –

sertifikat o usaglašenosti sa Direktivom Saveta Evrope 2006/42/EC za mašineriju.

Sertifikat se primenjuje na sve proizvodne lokacije i zemlje porekla, kao što je navedeno na proizvodu.

Isporučeni benzinski duvač/duvač usisivač lišća usaglašen je sa primerkom koji je prošao pregled.

U ime kompanije Husqvarna AB, SE-561 82 Huskvarna, ŠVEDSKA,



Pär Martinsson

Odgovoran za tehničku dokumentaciju



Innehåll

Introduktion.....	313	Felsökning.....	320
Säkerhet.....	314	Transport och förvaring.....	321
Montering.....	316	Tekniska data.....	322
Drift.....	317	EG-försäkran om överensstämmelse.....	323
Underhåll.....	319		

Introduktion

Produktbeskrivning

Den här produkten är en ryggburen blåsare med bränslemotor.

Vi arbetar ständigt med att vidareutveckla våra produkter och förbehåller oss därför rätten till ändringar beträffande bl.a. form och utseende utan föregående meddelande.

Produktöversikt

(Fig. 1)

1. Manöverspak för gasreglage
2. Ram
3. Sele
4. Motorkåpan
5. Fläktkåpa
6. Luftintagsnät
7. Luftfilter
8. Startsnörets handtag
9. Bränsletank
10. Midjebälte
11. Tändstift
12. Avvibreringssystem
13. Chokereglage
14. Manöverhandtag
15. Stoppbrytare med gasreglage
16. Gasreglage
17. Rörvinkel
18. Klämma
19. Flexibel slang
20. Manöverrör
21. Kabelklämma
22. Mellanrör
23. Blåsarmunstycke
24. Bruksanvisning
25. Ringnyckel
26. Bränslepumpblåsa
27. Högtrycksmunstycke
28. T = justerskruv för tomgång
29. Fläkt
30. Fotplatta

Avsedd användning

Använd produkten för att blåsa löv och annat oönskat material från områden som gräsmattor, gångar och asfaltsvägar.

Symboler på produkten

- (Fig. 2) Varning! Den här produkten kan vara farlig och kan orsaka allvarlig eller livshotande skada för användaren och andra. Var försiktig och använd produkten på rätt sätt.
- (Fig. 3) Läs igenom bruksanvisningen noggrant och se till att du förstår instruktionerna innan användning.
- (Fig. 4) Använd godkända hörselskydd och godkända ögonskydd. Om det är dammig ska du använda en andningsmask.
- (Fig. 5) Använd godkända skyddshandskar vid drift och underhåll. Använd skyddsstövlar eller skor med halkfri sula. Använd hellånga kläder i slitstarkt material.
- (Fig. 6) Se till att långt hår sätts upp ovanför axlarna.
- (Fig. 7) Ha inte på dig smycken eller löst sittande kläder vid drift.
- (Fig. 8) Blandning av bensin och tvåtaktsolja.
- (Fig. 9) Bränslepumpblåsa.
- (Fig. 10) Håll alla kroppsdelar borta från varma ytor.
- (Fig. 11) Gå inte nära fläkthjulet när det snurrar.

- (Fig. 12) Choke, öppet läge.
- (Fig. 13) Choke, stängt läge.
- (Fig. 14) Justerskruv för tomgång.
- (Fig. 15) Den här produkten överensstämmer med gällande EG-direktiv.

- (Fig. 16) Denna produkt överensstämmer med gällande brittiska direktiv.

- (Fig. 17) Emission av buller i miljön enligt EU-direktiv 2000/14/EC och New South Wales "Protection of the Environment Operations (Noise Control) Regulation 2017". Information om bulleremission finns på maskinens etikett och i avsnittet Tekniska data.

- (Fig. 18) Håll koll på utslungade föremål. Utslungade föremål kan orsaka allvarlig skada. Använd personlig skyddsutrustning.

(Fig. 19)

ååååvxxxx

Håll ett säkerhetsavstånd på minst 15 m till personer och djur.

Typskylten eller laserskriften visar serienumret. **yyyy** är produktionsåret och **ww** är produktionsveckan.

Notera: Övriga symboler/dekaleringar på produkten avser specifika krav för certifieringar på andra kommersiella marknader.

Produktansvar

Enligt lagstiftningen för produktansvar ansvarar vi inte för skador som vår produkt orsakar om:

- produkten repareras felaktigt
- produkten repareras med delar som inte kommer från tillverkaren eller inte har godkänts av tillverkaren
- produkten har ett tillbehör som inte kommer från tillverkaren eller inte har godkänts av tillverkaren
- produkten inte repareras vid ett godkänt servicecenter eller av en godkänd person.

Säkerhet

Säkerhetsdefinitioner

Definitionerna nedan beskriver allvarlighetsgraden för varje signalord.



WARNING: Personskador.



OBSERVERA: Skador på produkten.

Notera: Denna information gör produkten lättare att använda.

Allmänna säkerhetsanvisningar



WARNING: Läs varningsinstruktionerna nedan innan du använder produkten.

- Gör inga ändringar på produkten utan tillverkarens godkännande och använd alltid originaltillbehör. Modifieringar och/eller tillbehör som inte är godkända kan leda till allvarliga personskador eller dödsfall för användaren eller andra.
- Använd inte en skadad produkt. Utför säkerhetskontroller och underhåll enligt den här

bruksanvisningen. Allt annat underhåll måste utföras av godkänd servicepersonal.

- Allt service- och reparationsarbete måste utföras av godkänd servicepersonal. Om en del av produkten är defekt ska du kontakta en serviceverkstad.

Vibrationssäkerhet

Denna produkt ska endast användas sporadiskt. Kontinuerlig eller återkommande drift av produkten kan orsaka "vita fingrar" eller motsvarande medicinska problem av vibrationer. Undersök dina händer och fingrar om du använder produkten kontinuerligt eller regelbundet. Om fingrar och händer har missfärgning har smärta, rykning längs ryggraden varje gång någon nämner häckklippning, eller är numb, avbryta arbetet och tala med en läkare omedelbart.

Säkerhetsinstruktioner för drift



WARNING: Läs varningsinstruktionerna nedan innan du använder produkten.

- Den här produkten kan vara farlig och kan orsaka allvarlig eller livshotande skada för användaren och andra. Var försiktig och använd produkten på rätt sätt.
- Inspektera produkten före användning. Se *Underhåll på sida 319*.

- Använd aldrig produkten om du är trött, sjuk eller påverkad av alkohol, droger eller läkemedel som kan försämra din syn, ditt omdöme och din kropps kontroll.
- Montera alla kåpor och skydd före användning. Förhindra elektriska stötar genom att se till att tändhatten och tändkabeln inte är skadade.
- Vidrör inte tändstiftet eller tändkabeln när motorn är igång.
- Håll ett säkerhetsavstånd på minst 15 m till personer och djur. Stoppa produkten om personer, barn eller djur kommer närmare än 15 m. Rikta produkten bort från personer, djur, öppna fönster och andra föremål.
- Låt inte barn använda produkten. Se till att alla användare läser och förstår innehållet i denna bruksanvisning.
- Håll händer och andra föremål borta från fläkthuset under drift. Roterande delar kan orsaka allvarlig skada.
- Använd inte produkten om luftintagnsätet inte är installerat. Se till att luftintagnsätet är installerat och att det inte är skadat före användning.
- Om en nödsituation uppstår ska du lossa selens midjebälte och bröstbälte och låta produkten falla ned.
- Följ nationella bestämmelser och direktiv.
- Håll alla kroppsdelar borta från varma ytor.
- För mycket vibrationer kan orsaka skador på blodcirkulationen eller nervsystemet. Prata med läkare om du upplever symptom, t.ex. domningar, avsaknad av känsla, kittlingar, stickningar, smärta, avsaknad av styrka eller förändringar i hudens färg på fingrar, händer eller handleder.
- Håll koll på utslungade föremål. Utslungade föremål kan orsaka allvarlig skada.
- Använd inte produkten i dåligt väder, t.ex. dimma, regn, hård vind och stark kyla. Arbete i dåligt väder kan orsaka trötthet och farliga förhållanden.
- Se till att du kan röra dig och arbeta i en stabil position. Titta i arbetsområdet efter eventuella hinder, t.ex. stenar. Var försiktig om du använder produkten i en sluttning.
- Ställ inte produkten på marken när motorn är igång.
- Använd inte produkten från höga positioner, t.ex. på en stege.
- Se till att du alltid kan göra dig hörd om en olycka inträffar.
- Se till att avgasutloppet inte är blockerat. För att förhindra skador på produkten ska du hålla ett avstånd på minst 50 cm från avgasutloppet och eventuella hinder.
- Starta inte produkten inomhus, vid dåligt luftflöde eller nära brandfarligt material. Tänk på att motorns avgaser innehåller kolmonoxid som kan orsaka kolmonoxidförgiftning. Motorns avgaser är heta och kan medföra gnistor som kan orsaka brand.

Personlig skyddsutrustning



VARNING: Läs varningsinstruktionerna nedan innan du använder produkten.

- Använd godkänd personlig skyddsutrustning när du använder produkten. Personlig skyddsutrustning kan inte eliminera skaderisken helt, men den kan minska effekten av eventuella skador. Prata med din återförsäljare för mer information.
- Använd godkända hörselskydd. Långvarig exponering för buller kan ge bestående hörselskador.
- Använd godkänt ögonskydd. Används visir måste även godkända skyddsglasögon användas. Godkända skyddsglasögon måste uppfylla standarden ANSI Z87.1 i USA eller SS-EN 166 i EU-länder.
- Använd skyddshandskar vid drift och underhåll.
- Använd skyddsstövlar eller skor med halkfri sula.
- Använd hellånga kläder i slitstarkt material. Använd inte smycken eller öppna skor. För att minska risken för skador måste kläderna vara åtsittande, men de ska inte begränsa dina rörelser. Sätt upp håret ovanför axlarna för att förhindra att håret dras in i roterande delar eller fastnar i grenar.
- Använd andningsskydd när det finns risk för damm.
- Ha första förband nära till hands.

Säkerhetsanordningar på produkten



VARNING: Läs varningsinstruktionerna nedan innan du använder produkten.

- Använd inte en produkt med defekta säkerhetsanordningar.
- Kontrollera säkerhetsanordningarna regelbundet. Se *Underhåll på sida 319*.
- Om säkerhetsanordningarna är defekta ska du prata med en Husqvarna-serviceverkstad.

Kontrollera ljuddämparen



VARNING: Använd inte en produkt med defekt ljuddämpare.



VARNING: Ljuddämparen blir mycket het under och efter drift, samt vid tomgångsvarvtal. Använd skyddshandskar för att förhindra brännskador.



VARNING: Ljuddämparens insida innehåller kemikalier som kan vara

cancerframkallande. Rör inte ljuddämparen om den är skadad.

- Kontrollera regelbundet ljuddämparen visuellt. Ljuddämparen håller ljudnivån till ett minimum och leder bort motorns avgaser från användaren. Se *Inspektera och rengöra kylsystemet på sida 320*.

Kontrollera avvibreringssystemet

1. Se till att det inte finns några sprickor eller deformationer på avvibreringselementen.
2. Se till att avvibreringselementen sitter fast ordentligt på motorenheten och handtagsenheten.

Se *Produktöversikt på sida 313* för information om var avvibreringssystemet finns på din produkt.

Kontrollera start-/stoppbrytaren

1. Använd start-/stoppbrytaren för att stoppa motorn.
2. Se till att motorn stannar helt.

Information om var start-/stoppbrytaren är på produkten finns i *Produktöversikt på sida 313*.

Säkerhet vid användning av sele

Använd alltid selen när du använder produkten. Om du inte använder selen kan du inte använda produkten på ett säkert sätt. Det kan leda till att du skadar dig själv eller andra. Se till att midjebältet och bröstremmen är knäppta och rätt justerade. Det finns en risk för att bältet dras in i fläkten på produkten om det är öppet.

(Fig. 20)

Bränslesäkerhet



WARNING: Läs varningsinstruktionerna nedan innan du använder produkten.

Montering

Introduktion



WARNING: Läs och förstå säkerhetskapitlet innan du monterar produkten.

Montera blåsröret och reglagehandtaget på produkten

Notera: Smörj rören och den flexibla slangen så att de blir lättare att montera.

1. Anslut den flexibla slangen (A) på rörvinkeln och manövrörret (B) med klämmorna (C) och (D). (Fig. 21)

- Blanda inte och fyll inte på bränsle inomhus eller nära en värmekälla.
- Starta inte produkten om det finns bränsle eller olja på produkten eller på din kropp.
- Starta inte produkten om motorn har bränsleläckage. Undersök regelbundet om det läcker bränsle från motorn.
- Var alltid försiktig med bränsle. Bränsle är brandfarligt och bränsleångorna är explosiva och kan orsaka allvarliga personskador eller dödsfall.
- Undvik att andas in bränsleångor då det kan orsaka personskador. Se till att det finns tillräckligt luftflöde.
- Rök inte i närheten av bränslet eller motorn.
- Placera inte produkten eller bränslebehållaren nära varma föremål, öppen låga, en gnista eller en tändlåga.
- Använd alltid godkända behållare för transport och förvaring av bränsle.

Säkerhetsinstruktioner för underhåll



WARNING: Läs varningsinstruktionerna nedan innan du använder produkten.

- Stoppa motorn, ta bort tändstiftet och låt motorn svalna före underhåll och montering.
- Ett blockerat gnistskydd gör att motorn blir för varm, vilket kan leda till skador på motorn.
- Om gnistskyddet ofta är igensatt kan det vara ett tecken på att katalysatorns funktion är nedsatt. Kontakta din serviceverkstad om ljuddämparen behöver ses över.

2. Fäst handtagshållaren (E) på manövrörret. Rikta in handtagshållaren med flänsen på manövrörret. (Fig. 22)
3. Justera reglagehandtagets läge till en säker och korrekt arbetsställning. Drag åt vredet.
4. Anslut kabeln till den flexibla slangen med kabelklämmorna. (Fig. 23)
5. Anslut mellanröret till manövrörret. (Fig. 24)
6. Anslut blåsarmunstycket till mellanröret.

Notera: Blåsarmunstycket kan endast installeras på mellanröret.

7. Om du vill öka lufthastigheten ansluter du höghastighetsmunstycket till blåsarmunstycket.

Introduktion



VARNING: Läs och förstå säkerhetskapitlet innan du använder produkten.

Bränsle

Denna produkt har en tvåtaktsmotor.



OBSERVERA: Motorn kan skadas om du fyller på med fel typ av bränsle. Använd en blandning av bensin och tvåtaktsolja.

Förblandat bränsle

- Använd förblandat alkylatbränsle från Husqvarna för bästa prestanda och förlängning av motorns livslängd. Det här bränslet innehåller mindre skadliga kemikalier jämfört med vanligt bränsle, vilket minskar de skadliga avgaserna. Mängden rester som finns kvar efter förbränning är lägre med detta bränsle, vilket håller komponenterna i motorn renare.

Blanda bränsle

Bensin

- Använd blyfri bensin av bra kvalitet med högst 10 % etanolhalt.



OBSERVERA: Använd inte bensin med ett oktantal lägre än 90 RON/87 AKI. Ett lägre oktantal kan orsaka motorknackning, vilket leder till motorskador.

Tvåtaktsolja

- För bästa resultat och funktion ska du använda tvåtaktsolja från Husqvarna.
- Om tvåtaktsolja från Husqvarna inte finns tillgänglig kan du använda en annan tvåtaktsolja av hög kvalitet för luftkylda motorer. Tala med en serviceverkstad för att välja rätt olja.



OBSERVERA: Använd inte tvåtaktsolja för vattenkylda utombordsmotorer, s.k. outboardoil. Använd inte olja avsedd för fyrtaktsmotorer.

Blanda bensin och tvåtaktsolja

Bensin, liter	Tvåtaktsolja, liter
5	0,10
10	0,20
15	0,30
20	0,40

	2 % (50:1)
5	0,10
10	0,20
15	0,30
20	0,40



OBSERVERA: Små fel kan påverka blandningsförhållandet drastiskt när du blandar små mängder bränsle. Mät noga mängden olja för att se till att du får rätt blandning.

(Fig. 25)

- Fyll halva mängden bensin i en ren behållare för bränsle.
- Tillsätt all olja.
- Skaka bränsleblandningen.
- Fyll i återstående mängd bensin i behållaren.
- Skaka omsorgsfullt bränsleblandningen.



OBSERVERA: Blanda inte bränsle för mer än en månad i taget.

Fylla på bränsletanken



VARNING: Följ nedanstående procedur för din säkerhet.

- Stanna motorn och vänta tills den har svalnat.
- Torka rent runt bränsletanklocket. (Fig. 26)
- Skaka behållaren och kontrollera att bränslet är helt blandat.
- Ta bort tanklocket långsamt för att släppa på trycket.
- Fyll bränsletanken.



OBSERVERA: Kontrollera att det inte finns för mycket bränsle i bränsletanken. Bränslet expanderar när det blir varmt.

- Dra åt bränsletanklocket ordentligt.
- Torka upp bränslespill på och runt produkten.
- Flytta produkten minst tre meter bort från tankningsplatsen och bränsledepån innan du startar motorn.

Notera: Information om var bränsletanken sitter på produkten finner du i *Produktöversikt på sida 313*.

Starta kall motor



WARNING: Luft strömmar ut så fort motorn är igång, även när den går på tomgång. Låt ingen stå i närheten av blåsaren eller blåsarröret.

1. Om motorn är kall för du chokereglaget (A) till det stängda chokeläget. Se *Symboler på produkten på sida 313*. (Fig. 27)
2. Tryck på bränslepumpsblåsan (B) minst tio gånger tills bränslet börjar fyllas på i den. Det är inte nödvändigt att fylla bränslepumpsblåsan helt.
3. För gasreglaget till läget för hög tomgång. Rikta in vägledningsmarkeringarna på gasreglagets manöverspak och reglagehandtaget. (Fig. 28)
4. Placera produkten på en plan yta på marken.
5. Håll produkten med vänster hand och sätt foten på fotplattan. (Fig. 29)
6. Dra långsamt i startsnörets handtag med höger hand tills du känner motstånd.

Notera: Dra inte ut startsnörets handtag helt och släpp inte heller startsnörets handtag.

7. Ryck snabbt i startsnörets handtag med höger hand tills motorn startar eller försöker starta. Ryck inte fler än sex gånger. Om motorn startar flyttar du chokespaken gradvis till öppet läge och går vidare till steg 9. Om motorn inte startar går du vidare till steg 9.
8. När motorn försöker starta flyttar du chokespaken gradvis till öppet läge.
9. Ryck snabbt i startsnörets handtag med höger hand tills motorn startar. Ryck inte fler än sex gånger.



Notera: Om motorn inte startar upprepar du startinstruktionerna från steg 1.

10. Låt motorn gå i 30 sekunder.
11. Ställ gasreglaget på tomgångsvarvtal. (Fig. 30)
12. Använd gasreglaget för att reglera blåsarthastigheten. Se *Använda gasreglaget på sida 318*.

Starta varm motor

- Om omgivningstemperaturen är under 32 °C använder du samma startprocedur som i *Starta kall motor på sida 318* men ställer inte chokereglaget i stängt chokeläge.

- Om omgivningstemperaturen är över 32 °C använder du samma startprocedur som i *Starta kall motor på sida 318*.

Använda gasreglaget

- Om du vill öka blåsarthastigheten under drift trycker du på gasreglaget tills du får rätt hastighet. (Fig. 31)
- Om du vill sänka blåsarthastigheten under drift släpper du gasreglaget tills du får rätt hastighet.

Start av motorn när bränslet är för varmt

Om produkten inte startar kan det bero på att bränslet är för varmt.

Notera: Använd alltid nytt bränsle och minska drifttiden i varmt väder.

1. Placera produkten på en sval plats i skugga.
2. Låt produkten svalna i minst 20 minuter.
3. Tryck på bränslepumpsblåsan om och om igen i 10–15 sekunder.
4. Följ proceduren för start av kall motor. Se *Starta kall motor på sida 318*.

Använda produkten

- Använd produkten vid normal arbetstid. Följ lokala bestämmelser.
- Begränsa antalet utrustningsdelar och välj rätt varvtal för uppgiften. Använd gasreglaget i lägsta möjliga läge för att undvika mer buller och damm än nödvändigt.
- Håll blåsarmunstycket nära marken.

Notera: Husqvarna rekommenderar att du använder en komplett förlängning av blåsarmunstycket.

- Notera vindriktningen och manövrera produkten i vindriktningen.
- Använd lämpliga trädgårdsredskap för att få bort material från marken.
- I dammiga områden ska du använda sprututrustning för att fukta området. Detta minskar arbetstiden.
- Efter användning ska produkten förvaras vertikalt.

Stoppa produkten



OBSERVERA: Stoppa inte produkten med fullt varvtal.

1. Tryck på stoppknappen. (Fig. 32)

Notera: När produkten stannar kan det höras ett knackande ljud. Detta är normalt och indikerar inte något fel på produkten.

Justera selen

1. Sätt på dig produktens sele.
2. Lägg midjebältet runt midjan och fäst spännet på midjebältet. (Fig. 33)
3. Dra åt midjebältsremmen. (Fig. 34)
4. Sätt fast bröstremmens spänne. (Fig. 35)
5. Justera bröstremmens placering. (Fig. 36)
6. Spänn åt bröstbandet. (Fig. 37)
7. Dra åt axelremmarna tills produkten sitter tätt mot kroppen. (Fig. 38)
8. Dra åt lyftremmarna. (Fig. 39)

Underhåll

Introduktion



VARNING: Läs och förstå säkerhetskapitlet innan du utför underhåll på produkten.

Underhållsschema

Underhåll	Dagligen	Varje vecka	Varje månad
Rengör utvändiga ytor.	X		
Se till att reglagehandtaget fungerar som det ska.	X		
Se till att start-/stoppbrytaren fungerar som den ska. <i>Se Kontrollera start-/stoppbrytaren på sida 316.</i>	X		
Undersök om motorn, bränsletanken och bränsleledningarna läcker. Undersök bränslefiltret avseende smuts. Byt ut bränslefiltret om det behövs.	X		
Rengör luftfiltret. Byt ut luftfiltret vid behov.	X		
Dra åt muttrar och skruvar.	X		
Undersök luftintaget och se till att det inte är igensatt.	X		
Undersök om startmotorn och startsnöret är skadade.		X	
Undersök om avvibreringselementen har skador, sprickor eller deformationer. Kontrollera att avvibreringselementen är korrekt monterade.		X	
Undersök tändstiftet. <i>Se Kontrollera tändstiftet på sida 320.</i>		X	
Rengör kylsystemet.		X	
Rengör förgasarens utsida och området runt denna.		X	
Rengör bränsletanken.			X
Undersök alla kablar och anslutningar.			X
Undersök och rengör ljuddämparens gnistskydd (för produkter utan katalysator).		X	
Undersök och rengör ljuddämparens gnistskydd (för produkter med katalysator).			X
Undersök tändstiftet. Byt ut vid behov.			X

Så justerar du tomgångsvarvtalet

1. Se till att luftfiltret är rent och att luftfilterkåpan är monterad.
2. Justera tomgångsvarvtalet med hjälp av tomgångsskruven. Information om var tomgångsskruven sitter på produkten finns i *Produktöversikt på sida 313.*

Kontrollera tändstiftet



OBSERVERA: Använd det rekommenderade tändstiftet. Se *Tekniska data på sida 322*. Ett felaktigt tändstift kan skada produkten.

1. Stoppa motorn och låt produkten svalna.
2. Rengör tändstiftet om det är smutsigt.
3. Kontrollera att elektrodavståndet är korrekt. Se *Tekniska data på sida 322*. (Fig. 40)
4. Byt ut tändstiftet varje månad eller oftare om det behövs.

Underhåll av ljuddämparen



OBSERVERA: Om gnistskyddet ofta är igensatt kan det vara ett tecken på att katalysatorns funktion är nedsatt. Kontakta din serviceverkstad om ljuddämparen behöver ses över. Ett igensatt gnistfångarnät orsakar överhettning och leder till skador på cylinder och kolv.



OBSERVERA: Vid eventuella skador på gnistskyddet skall detta bytas. Använd inte produkten om gnistskyddet på ljuddämparen saknas eller är defekt.

- Rengör ljuddämparens gnistskydd. Använd en stålborste. (Fig. 41)
- Låt en serviceverkstad byta ut eller utföra service på ljuddämparen och gnistfångarnätet efter 50 drifttimmar.

Inspektera och rengöra kylsystemet

Kylsystemet innefattar kylflänsarna på cylindern och luftintagnätet.

1. Stoppa motorn.
2. Se till att kylsystemet inte är smutsigt eller igensatt. Rengör luftintagnätet och kylflänsarna om det behövs.



OBSERVERA: Ett smutsigt eller igensatt kylsystem kan leda till ökad temperatur i motorn med skador på produkten som följd. Ett igensatt luftintagnät minskar blåskraften.

3. Undersök om kylsystemet är skadat. Se till att delarna fästs korrekt på produkten.

Rengöra luftfiltret



OBSERVERA: Använd inte en produkt utan luftfilter eller med ett skadat luftfilter. Damm i luften kan skada motorn.

1. För chokereglaget till stängt läge.
2. Ta bort luftfilterkåpan (A).
3. Ta bort förfiltret (B) från luftfilterkåpan. (Fig. 42)
4. Ta bort luftfiltret (C) från filterramen.
5. Rengör förfiltret och luftfiltret med varmt vatten och tvål.

Notera: Ett luftfilter som använts länge kan inte bli helt rent. Byt ut luftfiltret regelbundet och byt alltid ut ett defekt luftfilter.

6. Rengör den inre ytan av luftfilterkåpan (A) med en borste.
7. Sätt luftfiltret i filterramen.
8. Sätt fast förfiltret på luftfilterkåpan.
9. Montera luftfilterkåpan på produkten.

Felsökning

Det går inte att starta motorn		
Kontrollera	Möjlig orsak	Lösning
Starthakar.	Blockerade eller slitna starthakar.	Justera eller byt ut starthakarna.
		Rengör runt starthakarna.
		Kontakta en godkänd serviceverkstad.
Bränsletank.	Fel bränsle påfyllt.	Töm bränsletanken och använd rätt bränsle.

Det går inte att starta motorn		
Kontrollera	Möjlig orsak	Lösning
Förgasare.	Fel tomgångsvarvtal.	Justera tomgångsvarvtalet med justerskruven för tomgång.
Tändstift (ingen gnista).	Tändstiftet är smutsigt eller vått.	Se till att tändstiftet är torrt och rent.
	Elektroдавståndet på tändstiftet är felaktigt.	Rengör tändstiftet. Kontrollera att elektroдавståndet är korrekt. Se tekniska data för korrekt elektroдавstånd.
Tändstift.	Tändstift sitter löst.	Dra åt tändstiftet.
	Det finns oönskat material på tändstiftselektrodena.	Se till att bränsleblandningen är korrekt. Se till att luftfiltret är rent.

Motorn startar men stannar igen		
Kontrollera	Möjlig orsak	Lösning
Bränsletank.	Fel bränsle påfyllt.	Töm bränsletanken och använd rätt bränsle.
Förgasare.	Motorn fungerar inte som den ska på tomgång.	Vänd dig till en serviceverkstad.
Luftfilter.	Igensatt luftfilter.	Rengör luftfiltret.

Transport och förvaring

Transport och förvaring



VARNING: Undvik brandrisk genom att se till att det inte förekommer läckage eller ångor under transport eller förvaring. Se till att det inte finns någon risk för gnistor eller brand.

- Ta bort tändstiftet och håll ungefär 15 ml tvåtaktsolja i cylindern. Vänd produkten tre gånger och sätt tillbaka tändstiftet.
 - Se till att produkten är säkert fastsatt på fordonet under transport.
 - Förvara produkten på en torr, sval och ren plats med bra luftflöde. Håll produkten utom räckhåll för barn.
- Töm bränsletanken före transport eller långtidsförvaring. Tryck på bränslepumpblåsan för att se till att allt bränsle är tomt. Kassera bränslet på lämplig anvisad plats.
 - Se till att produkten är ren och att fullständig service är utförd före en längre tids förvaring.

Tekniska data

Tekniska data

	Husqvarna 345BT (BP152HV)
Motor	
Cylindervolym, cm ³	51,7
Tomgångsvarvtal, varv/min	2 800
Katalysator	Ja
Tändsystem	
Tändstift	NGK BPMR7A/Champion RCJ6Y
Elektroddgap, mm	0,6–0,7
Tändstiftsmoment, Nm	25–30
Bränsle-/smörjsystem	
Bränsletankvolym, l/cm ³	1,0/1 000
Vikt	
Vikt, utan bränsle, kg	10,0
Emission av buller ⁷⁶	
Ljudeffektnivå, uppmätt dB(A)	110
Ljudeffektnivå, garanterad L _{WA} dB(A)	113
Ljudnivåer ⁷⁷	
Ekvivalent ljudtrycksnivå vid användarens öra, mätt enligt EN 15503, dB(A):	
Utrustad med blåsarmunstycke (original)	101
Vibrationsnivåer ⁷⁸	
Vibrationsnivåer (a _{h_v,eq}) i handtag, uppmätt enligt EN 15503, m/s ²	6,1
Fläktprestanda	
Maximal lufthastighet med högtrycksmunstycke, m/s	98,3
Luftflöde utan högtrycksmunstycke, m ³ /min	13,9

⁷⁶ Emission av buller till omgivningen uppmätt som ljudeffekt (L_{WA}) enligt EG-direktiv 2000/14/EG. Rapporterad ljudeffektnivå för maskinen har uppmätts med den originalsårutrustning som ger den högsta nivån. Skillnaden mellan garanterad och uppmätt ljudeffekt är att den garanterade ljudeffekten också inkluderar spridning i mätresultatet och variationen mellan olika maskiner av samma modell enligt direktiv 2000/14/EG.

⁷⁷ Redovisade data för ljudtrycksnivå har ett typiskt spridningsmått (standardavvikelse) på 3,0 dB(A).

⁷⁸ Rapporterade data för vibrationsnivå har en typisk statistisk spridning (standardavvikelse) på 1,5 m/s².

EG-försäkran om överensstämmelse

EG-försäkran om överensstämmelse

Husqvarna AB, 561 82 Huskvarna, SVERIGE, försäkrar härmed på eget ansvar att den företrädda produkten:

Beskrivning	Bensindriven blåsare/blåsarsug
Varumärke	Husqvarna
Plattform/typ/modell	Plattform BP152HV, representerar modell 345BT.
Parti	Serienummer daterade 2022 och framåt.

uppfyller alla krav i följande EU-direktiv och förordningar:

Direktiv/förordning	Beskrivning
2006/42/EG	"angående maskiner"
2014/30/EU	"angående elektromagnetisk kompatibilitet"
2000/14/EG	"angående buller utomhus"
2011/65/EU	"angående begränsning av användning av vissa farliga ämnen"

Följande harmoniserade standarder och/eller tekniska specifikationer tillämpas: EN ISO 12100:2010, EN 15503:2009+A2, CISPR 12:2007, EN ISO 14982:2009, EN IEC 63000:2018, EN IEC 63000:2018

I enlighet med direktiv 2000/14/EG, bilaga V, finns ljudvärdena angivna i avsnittet tekniska data i denna handbok.

TÜV Rheinland har utfört en frivillig kontroll åt Husqvarna AB och utfärdat AM 50391742 – Certifikat

om överensstämmelse med Rådets direktiv 2006/42/EG om maskiner.

Certifikatet är tillämpligt på alla tillverkningsplatser och ursprungsländer, såsom anges på produkten.

Den levererade bensindrivna blåsaren/blåsarsugen överensstämmer med det exemplar som genomgick kontrollen.

På uppdrag av Husqvarna AB, SE-561 82 Huskvarna, SVERIGE,



Pär Martinsson

Ansvarig för teknisk dokumentation



İçindekiler

Giriş.....	324	Sorun giderme.....	331
Güvenlik.....	325	Taşıma ve saklama.....	332
Montaj.....	327	Teknik veriler.....	333
Çalışma.....	328	AT Uyumluluk Bildirimi.....	334
Bakım.....	330		

Giriş

Ürün açıklaması

Bu ürün, yakıt motorlu bir sırt tipi üfleycidir.

Sürekli bir ürün geliştirme politikasına sahibiz ve dolayısıyla önceden bildirimde bulunmaksızın ürünlerin tasarımını ve görünümünde değişiklikler yapma hakkını saklı tutarız.

Ürüne genel bakış

(Şek. 1)

1. Gaz kontrol kolu
2. Şasi
3. Taşıma askısı
4. Motor kapağı
5. Fan kapağı
6. Hava giriş bölgesi
7. Hava filtresi
8. Çalıştırma ipi kolu
9. Yakıt tankı
10. Bel kemeri
11. Buji
12. Titreşim azaltma sistemi
13. Jikle kontrolü
14. Kontrol kolu
15. Gaz kontrollü durdurma anahtarı
16. Gaz tetiği
17. Boru dirseği
18. Kelepçe grubu
19. Esnek hortum
20. Kontrol borusu
21. Kablo kelepçesi
22. Ara boru
23. Üfleyci ucu
24. Kullanım kılavuzu
25. Kombine anahtar
26. Yakıt pompası diyaframı haznesi
27. Yüksek hızlı uç
28. Rölanti ayar vidası
29. Fan
30. Ayak plakası

Kullanım amacı

Ürünü çimenlik alan, patika ve asfalt yollar gibi alanlardaki yaprakları ve diğer istenmeyen malzemeleri üfleme için kullanın.

Ürün üzerindeki semboller

- (Şek. 2) **UYARI!** Bu ürün, tehlikeli olabilir ve operatör ya da başkaları açısından ciddi yaralanmalara veya ölüme neden olabilir. Dikkatli olun ve ürünü doğru kullanın.
- (Şek. 3) Kullanım kılavuzunu dikkatle okuyun ve kullanımdan önce talimatları anladığınızdan emin olun.
- (Şek. 4) Onaylı kulak koruma ekipmanı ve onaylı koruyucu gözlük kullanın. Ortamda toz varsa solunum maskesi kullanın.
- (Şek. 5) Kullanım ve bakım sırasında onaylı koruyucu eldiven kullanın. Kaymaz tabanlı koruyucu botlar veya ayakkabılar giyin. Güçlü kumaştan ve tam uzunlukta kıyafetler kullanın.
- (Şek. 6) Uzun saçları omuzdan yukarıda toplayın.
- (Şek. 7) Kullanım sırasında takı takmayın veya bol elbiseler giymeyin.
- (Şek. 8) Benzin ve iki zamanlı yağ karışımı.
- (Şek. 9) Yakıt pompası diyaframı haznesi.
- (Şek. 10) Tüm uzuvlarınızı sıcak yüzeylerden uzak tutun.
- (Şek. 11) Döndüğü sırada pervaneyeye yaklaşmayın.
- (Şek. 12) Jikle, açık konumu.

- (Şek. 13) Jikle, kapalı konumu.
- (Şek. 14) Rölanti ayar vidası.
- (Şek. 15) Bu ürün yürürlükteki AB Direktiflerine uygundur.
- (Şek. 16) Bu ürün yürürlükteki Birleşik Krallık direktiflerine uygundur.
- (Şek. 17) Avrupa Direktifi 2000/14/AT ve Yeni Güney Galler mevzuatı "Çevre Koruma Operasyonları (Gürültü Kontrolü) Yönetmeliği 2017" uyarınca çevreye yayılan gürültü emisyonu. Gürültü emisyonu verileri makine etiketinde ve Teknik veriler bölümünde bulunabilir.

(Şek. 18) Savrulabilecek nesnelere karşı dikkatli olun. Fırlayan nesnelere ciddi yaralanmalara neden olabilir. Kişisel koruyucu ekipmanlar kullanın.

(Şek. 19) İnsan veya hayvanlarla aranızda en az 15 m'lik bir güvenlik mesafesi bırakın.

Nominal değerler plakası veya lazer baskı, seri numarasını gösterir. **yyyy** üretim yılı, **hh** ise üretim haftasıdır.

yyyyhhxxxxx

Not: Ürünün üzerindeki diğer semboller/etiketler, diğer ticari alanların sertifikalandırma gereklilikleriyle ilgilidir.

Ürün sorumluluğu

Ürün sorumluluğu yasalarında belirtildiği üzere;

- ürünün hatalı bir şekilde onarılması,
- ürünün, üretici tarafından onaylanmayan veya üreticiden alınmayan parçalarla tamir edilmesi,
- üründe, üreticiden alınmayan veya üretici tarafından onaylanmayan bir aksesuar bulunması,
- ve ürünün, onaylı bir servis merkezinde veya yetkili bir kurum tarafından tamir edilmemesi durumunda oluşabilecek hasarlardan sorumlu değildir.

Güvenlik

Güvenlik tanımları

Aşağıdaki tanımlar, her bir sinyal kelimesinin önem derecesini belirtir.



UYARI: Yaralanma tehlikesi.



DİKKAT: Ürünün hasar görme tehlikesi.

Not: Bu bilgiler, ürünün kullanımını kolaylaştırır.

Genel güvenlik talimatları



UYARI: Ürünü kullanmadan önce aşağıdaki uyarı talimatlarını okuyun.

- Üreticinin onayı olmadan üründe değişiklik yapmayın ve her zaman orijinal aksesuarları kullanın. Onaylanmayan değişiklikler ve/veya aksesuarlar, operatörün veya diğer kişilerin ciddi şekilde yaralanmasına veya ölümüne neden olabilir.

- Hasarlı ürünü kullanmayın. Bu kullanım kılavuzunda belirtilen emniyet kontrollerini ve bakımları gerçekleştirin. Diğer tüm bakım işlemleri, yetkili servis personeli tarafından yapılmalıdır.
- Tüm servis ve onarım işlemleri yetkili servis personeli tarafından gerçekleştirilmelidir. Ürünün bir parçası kusurluysa servis bayinize görün.

Titreşim güvenliği

Bu ürün yalnızca ara sıra kullanım içindir. Ürünün aralıksız ya da düzenli olarak kullanılması titreşimden kaynaklanan "beyaz parmak" hastalığına veya benzer tıbbi sorunlara yol açabilir. Ürünü aralıksız ya da düzenli olarak kullanıyorsanız ellerinizin ve parmaklarınızın durumunu inceleyin. Ellerinizde ya da parmaklarınızda renk solması, ağrı, karıncalanma veya hissizlik varsa çalışmayı bırakın ve derhal bir doktora gidin.

Kullanım için güvenlik talimatları



UYARI: Ürünü kullanmadan önce aşağıdaki uyarı talimatlarını okuyun.

- Bu ürün, tehlikeli olabilir ve operatör ya da başkaları açısından ciddi yaralanmalara veya ölüme neden olabilir. Dikkatli olun ve ürünü doğru kullanın.
- Kullanmadan önce ürünü kontrol edin. Bkz. *Bakım sayfası: 330*.

- Ürünü yorgunken, hastayken veya görüşünüzü, dikkatinizi ve koordinasyonunuzu etkileyebilecek alkol ya da diğer uyuşturucu maddelerin etkisi altındayken kullanmayın.
- Kullanmadan önce tüm kapakları ve siperlikleri takın. Elektrik çarpmasını önlemek için buji kapağının ve ateşleme kablosunun hasar görmediğinden emin olun.
- Motor açıkken bujiye veya ateşleme kablosuna dokunmayın.
- İnsan veya hayvanlarla aranızda en az 15 m'lik bir güvenlik mesafesi bırakın. İnsanlar, çocuklar veya hayvanlar 15 m'den daha fazla yaklaşırsa ürünü durdurun. Ürünü insanlardan, hayvanlardan, açık pencerelerden ve diğer nesnelere uzak tutun.
- Çocukların ürünü kullanmasına izin vermeyin. Bu kullanım kılavuzunun içeriğini tüm operatörlerin okuyup anladığından emin olun.
- Çalışma sırasında ellerinizi veya diğer nesnelere üfleyci muhafazasından uzak tutun. Döner parçaların ciddi yaralanmalara neden olabilir.
- Hava giriş bölmesi takılı değilse ürünü kullanmayın. Kullanmadan önce hava giriş bölmesinin takıldığından ve hasarlı olmadığından her zaman emin olun.
- Acil bir durum meydana gelirse kuşam askılığın bel ve göğüs kemerlerini serbest bırakıp ürünün düşmesini sağlayın.
- Ulusal düzenlemelere ve direktiflere uyun.
- Tüm uzuvlarınızı sıcak yüzeylerden uzak tutun.
- Çok fazla titreşim dolaşım veya sinir sistemine zarar verebilir. Uyuşma, his kaybı, karıncalanma, iğnelenme, ağrı, güç kaybı veya parmak, el veya bileklerinizeki cilt renginde değişiklik gibi belirtiler varsa doktorunuza danışın.
- Savrulabilecek nesnelere karşı dikkatli olun. Fırlayan nesnelere ciddi yaralanmalara neden olabilir.
- Ürünü sis, yağmur, kuvvetli rüzgar ve aşırı soğuk ortamlar gibi hava şartlarında kullanmayın. Kötü hava koşullarında çalışma yorgunluğa ve tehlikeli durumlara neden olabilir.
- Hareket edebildiğinizden ve dengeli pozisyonda kalabildiğinizden emin olun. Çalışma alanında bulunabilecek taş gibi engelleri kontrol edin. Ürünü eğimli yerlerde kullanıyorsanız dikkatli olun.
- Ürünü motor açıkken yere koymayın.
- Ürünü merdiven gibi yüksek konumlardan çalıştırmayın.
- Bir kaza olursa mutlaka duyulabileceğinizden emin olun.
- Egzoz dumanı çıkışının tıkalı olmadığından emin olun. Ürünün hasar görmesini önlemek için engelleri egzoz dumanı çıkışından en az 50 cm mesafede tutun.
- Ürünü kapalı alanlarda, hava akışı yetersiz olan yerlerde veya yanıcı maddelerin yakınında çalıştırmayın. Motor egzozu dumanlarının içerdiği karbon monoksit zehirlenmeye neden olabilir. Motor

egzozu dumanları sıcaktır ve bir yangına neden olabilecek kıvılcımlar içerebilir.

Kişisel koruyucu ekipman



UYARI: Ürünü kullanmadan önce aşağıdaki uyarı talimatlarını okuyun.

- Ürünü kullanırken onaylı kişisel koruyucu ekipmanları kullanın. Kişisel koruyucu ekipmanlar yaralanma riskini tamamen engelleyemez ancak yaralanmanın derecesini azaltır. Daha fazla bilgi için lütfen satıcınızla görüşün.
- Onaylanmış kulak koruma ekipmanı kullanın. Uzun süre gürültüye maruz kalınması sürekli işitme kaybına yol açabilir.
- Onaylı koruyucu gözlük kullanın. Vizör kullanıyorsanız onaylı koruma gözlüğü de kullanmanız gerekir. Onaylı koruma gözlüğü ABD'de ANSI Z87.1 veya AB ülkelerinde EN 166 standardıyla uyumlu olmalıdır.
- Kullanım ve bakım sırasında koruyucu eldivenler kullanın.
- Kaymaz tabanlı koruyucu botlar veya ayakkabılar giyin.
- Güçlü kumaştan ve tam uzunlukta kıyafetler kullanın. Takı veya açık ayakkabılar kullanmayın. Yaralanma riskini azaltmak için giysileriniz dar olmalı ancak hareketlerinizi sınırlamamalıdır. Saçınızın dönen parçalara veya dallara takılmamasını önlemek için saçınızı omuzlarınızın üzerinde toplayın.
- Toz riski varsa solunum koruması kullanın.
- İlk yardım ekipmanını yakında bulundurun.

Ürünün üzerindeki güvenli aletler



UYARI: Ürünü kullanmadan önce aşağıdaki uyarı talimatlarını okuyun.

- Güvenlik araçları arızalı olan bir ürünü kullanmayın.
- Güvenlik araçlarını düzenli olarak kontrol edin. Bkz. *Bakım sayfada: 330.*
- Güvenlik araçları arızalıysa Husqvarna bayinizle görüşün.

Susturucuyu kontrol etme



UYARI: Susturucusu bozuk olan bir ürünü kullanmayın.



UYARI: Susturucu rölantinin yanı sıra çalışma sırasında ve sonrasında çok ısınır. Yanıkları önlemek için koruyucu eldiven takın.



UYARI: Susturucunun iç kısmında kanserojen olabilecek kimyasal maddeler bulunmaktadır. Hasarlıysa susturucuya dokunmayın.

- Susturucuyu düzenli olarak gözle kontrol edin. Susturucu, gürültü düzeyini minimum seviyede tutar ve egzoz dumanını operatörden uzağa gönderir. Bkz. *Soğutma sistemini kontrol etme ve temizleme sayfa: 331.*

Titreşim azaltma sistemini kontrol etme

1. Titreşim azaltma ünitelerinde çatlak veya deformasyon olmadığından emin olun.
2. Titreşim azaltma ünitelerinin motor ünitesine ve kol ünitesine doğru bir şekilde takıldığından emin olun.

Ürününüzde kullanılan titreşim azaltma sistemi hakkında bilgi için bkz. *Ürüne genel bakış sayfa: 324.*

Başlatma/durdurma anahtarını kontrol etme

1. Motoru durdurmak için çalıştırma/durdurma anahtarını kullanın.
2. Motorun tamamen durduğundan emin olun.

Çalıştırma/durdurma anahtarının ürününüzün neresinde olduğunu görmek için bkz. *Ürüne genel bakış sayfa: 324.*

Kuşam askılık güvenliği

Ürünü çalıştırırken daima kuşam askılığı kullanın. Kuşam askılığı kullanmazsanız ürünü güvenli bir şekilde kullanamazsınız. Bu durum, sizin veya başkalarının yaralanmasına neden olabilir. Bel kemerinin ve göğüs kayışının bağlı olduğundan ve doğru şekilde ayarlandığından emin olun. Bağlanmamış kemerin ürünün fanına çekilme riski vardır.

(Şek. 20)

Yakıt güvenliği



UYARI: Ürünü kullanmadan önce aşağıdaki uyarı talimatlarını okuyun.

- Yakıtı kapalı mekanlarda veya bir ısı kaynağının yakınında karıştırmayın ya da ilave etmeyin.
- Üründe veya vücudunuzda yakıt ya da yağ kalıntısı varsa ürünü çalıştırmayın.
- Motorda yakıt sızıntısı varsa ürünü çalıştırmayın. Motorda yakıt sızıntısı olup olmadığını düzenli olarak kontrol edin.
- Yakıtla uğraşırken her zaman dikkatli olun. Yakıt yanıcı ve yakıt dumanları patlayıcıdır; bunlar ciddi yaralanmaya veya ölüme sebep olabilir.
- Yaralanmaya sebep olabileceğinden yakıt dumanını solumayın. Yeterli hava akışı olduğundan emin olun.
- Yakıtın veya motorun yakınında sigara içmeyin.
- Ürünü veya yakıt konteynerini sıcak nesnelere, açık ateşin, kıvılcımın veya pilot alevin yakınına yerleştirmeyin.
- Yakıtı taşımak ve saklamak için her zaman onaylı kaplar kullanın.

Bakım için güvenlik talimatları



UYARI: Ürünü kullanmadan önce aşağıdaki uyarı talimatlarını okuyun.

- Bakım ve montajdan önce motoru durdurun, bujiyi çıkarın ve motorun soğumasını bekleyin.
- Tıkalı bir kıvılcım önleyici siperlik, motorun aşırı ısınmasına neden olur ve bu da motora hasar verir.
- Kıvılcım önleyici siperlik sık sık tıkanıyorsa bu durum katalitik dönüştürücü performansının azaldığının bir göstergesi olabilir. Susturucuyu kontrol ettirmek için servis bayinizle görüşün.

Montaj

Giriş



UYARI: Ürünü monte etmeden önce güvenlik bölümünü okuyup anlayın.

Üfleyci borusunu ve kontrol kolunu ürüne takma

Not: Montajı kolaylaştırmak için boruları ve esnek hortumu yağlayın.

1. Esnek hortumu (A) boru dirseğine ve kontrol borusuna (B) kelepçelerle (C ve D) birlikte takın. (Şek. 21)

2. Kol tutucuyu (E) kontrol borusuna takın. Kol tutucuyu kontrol borusundaki flanşa hizalayın. (Şek. 22)
3. Kontrol kolunu güvenli ve doğru bir çalışma konumuna getirin. Döğmeyi sıkın.
4. Kablo kelepçesini kullanarak kabloyu esnek hortuma takın. (Şek. 23)
5. Ara boruyu kontrol borusuna takın. (Şek. 24)
6. Üfleyci ucunu ara boruya takın.

Not: Üfleyci ucu yalnızca ara boruya takılabilir.

7. Daha yüksek hava hızı için yüksek hızlı ucu, üfleyci ucuna takın.

Çalışma

Giriş



UYARI: Ürünü kullanmadan önce güvenlik bölümünü okuyup anlayın.

5	0,10
10	0,20
15	0,30
20	0,40

Yakıt

Bu üründe iki zamanlı motor bulunur.



DİKKAT: Yanlış tür yakıtın kullanımı motor hasarına neden olabilir. Benzin ve iki zamanlı motor yağı karışımı kullanın.



DİKKAT: Az miktarda yakıt karıştırırken yapılan küçük bir hata, karışımın oranını büyük ölçüde etkileyebilir. Doğru karışımı elde ettiğinizden emin olmak için yağ miktarını dikkatli bir şekilde ölçün.

Hazır yakıt karışımı

- Motorun en iyi performansı göstermesi ve motor ömrünün uzaması için Husqvarna hazır alkilat yakıt kullanın. Zararlı egzoz dumanını azaltan bu yakıt, normal yakıta kıyasla daha az zararlı kimyasal içerir. Bu yakıt yanma sonrası daha az kalıntı bıraktığından, motor bileşenlerini daha temiz tutar.

(Şek. 25)

1. Benzinin yarısını temiz bir yakıt kabına doldurun.
2. Yağ miktarının tümünü ekleyin.
3. Yakıt karışımını çalkalayın.
4. Kalan benzinini kaba ekleyin.
5. Yakıt karışımını dikkatlice çalkalayın.

Yakıtın karıştırılması

Benzin

- Maksimum %10 etanol içerikli iyi kalite kurşunsuz benzin kullanın.



DİKKAT: Tek seferde 1 aylıktan fazla yakıt karıştırmayın.



DİKKAT: Oktan oranı 90 RON/87 AKI değerinin altında olan benzin kullanmayın. Daha düşük oktanlı benzinin kullanılması motorda vuruntuya ve hasarlara neden olabilir.



UYARI: Güvenliğiniz için aşağıdaki prosedüre uyun.

İki zamanlı yağ

- En iyi sonuçlar ve performans için Husqvarna iki zamanlı yağ kullanın.
- Husqvarna iki zamanlı yağ yoksa hava soğutmalı motorlar için iyi kalitede başka bir iki zamanlı yağ kullanın. Doğru yağı seçmek için servis bayinizle iletişime geçin.



DİKKAT: Su soğutmalı dış motorlar için olan ve dış yağ olarak da bilinen iki zamanlı yağı kullanmayın. Dört zamanlı motor yağlarını kullanmayın.

Yakıt tankını doldurma

1. Motoru durdurun ve soğumasını bekleyin.
2. Yakıt tankı kapağının çevresini temizleyin. (Şek. 26)
3. Kapağı sallayın ve yakıtın iyice karıştığından emin olun.
4. Basıncı tahliye etmek için yakıt tankı kapağını yavaşça çıkarın.
5. Yakıt tankını doldurun.



DİKKAT: Yakıt tankında çok fazla yakıt olmadığından emin olun. Yakıt ısındığında genleşir.

Benzinle iki zamanlı yağı karıştırma

Benzin, litre	İki zamanlı yağ, litre
	%2 (50:1)

6. Yakıt tankının kapağını dikkatlice sıkın.
7. Ürünün üzerindeki ve çevresindeki yakıt kalıntılarını temizleyin.
8. Motoru çalıştırmadan önce ürünü yakıt ikmal alanından ve yakıt kaynağından en az 3 m/10 ft uzaklaştırın.

Not: Yakıt tankının ürününüzün neresinde olduğunu görmek için bkz. *Ürüne genel bakış sayfa: 324.*

Soğuk motoru çalıştırma



UYARI: Rölantide olsa bile motor çalışır çalışmaz hava tahliye edilir. Kimsenin üfleyicinin veya üfleyici borusunun yakınında durmasına izin vermez.

1. Motor soğuksa jikle kontrolünü (A) jikle kapalı konumuna getirin. Bkz. *Ürün üzerindeki semboller sayfada: 324.* (Şek. 27)
2. Yakıt hazneye dolmaya başlayana kadar yakıt pompası diyaframı haznesini (B) peş peşe en az 10 defa itin. Yakıt pompası diyaframı haznesini tamamen doldurmak gerekmez.
3. Gaz kontrolünü yüksek rölanti konumuna getirin. Gaz kontrol kolu ve kontrol kolu üzerindeki kılavuz işaretlerini hizalayın. (Şek. 28)
4. Ürünü yerde düz bir yüzeye yerleştirin.
5. Ürünü sol elinizle tutun ve ayağınızı ayak plakasına koyun. (Şek. 29)
6. Çalıştırma ipinin kolunu direnç oluşana kadar sağ elinizle yavaşça çekin.

Not: Çalıştırma ipi kolunu sonuna kadar çekmeyin ve çalıştırma ipi kolunu elinizden bırakmayın.

7. Motor çalışana veya çalışır gibi olana kadar çalıştırma ipi kolunu sağ elinizle en fazla 6 kez hızlıca çekin. Motor çalışırsa jikle kolunu yavaşça açık konumuna getirin ve 11. adıma geçin. Motor çalışmazsa 9. adıma ilerleyin.
8. Motor çalışır gibi olursa jikle kolunu yavaşça açık konumuna getirin.
9. Motor çalışana kadar çalıştırma ipi kolunu sağ elinizle en fazla 6 kez hızlıca çekin.



Not: Motor çalışmazsa 1. adımdan itibaren çalıştırma talimatlarını tekrar uygulayın.

10. Motoru 30 saniye çalışır durumda bırakın.
11. Gaz kontrolünü rölanti devrine getirin. (Şek. 30)
12. Üfleyici hızını ayarlamak için gaz tetiğine basın. Bkz. *Gaz tetiğini kullanma sayfada: 329.*

Sıcak motoru çalıştırma

- Ortam sıcaklığı 32°C/90°F altındaysa *Soğuk motoru çalıştırma sayfada: 329* bölümündeki çalıştırma prosedürünü uygulayın ancak jikle kontrolünü kapalı jikle konumuna getirmeyin.
- Ortam sıcaklığı 32°C/90°F üzerindeyse *Soğuk motoru çalıştırma sayfada: 329* bölümündeki çalıştırma prosedürünü uygulayın.

Gaz tetiğini kullanma

- Çalışma sırasında üfleyici hızını artırmak için doğru hızı elde edene kadar gaz tetiğine basın. (Şek. 31)

- Çalışma sırasında üfleyici hızını azaltmak için doğru hızı elde edene kadar gaz tetiğini serbest bırakın.

Yakıt çok sıcak olduğunda motoru çalıştırmak için

Ürün çalışmazsa yakıt çok sıcak olabilir.

Not: Her zaman yeni yakıt kullanın ve sıcak havada çalışma süresini azaltın.

1. Ürünü doğrudan güneş ışığından uzakta serin bir yere koyun.
2. Ürünün en az 20 dakika soğumasını bekleyin.
3. Yakıt pompası diyaframı haznesine 10-15 saniye boyunca tekrar tekrar basın.
4. Soğuk motoru çalıştırma prosedürüne uyun. Bkz. *Soğuk motoru çalıştırma sayfada: 329.*

Ürünü çalıştırma

- Ürünü normal çalışma saatlerinde kullanın. Yerel yönetmeliklere uyun.
- Ekipman parçalarını azaltın ve göreviniz için doğru hızı seçin. Gerekenden daha fazla gürültü ve toz çıkmasını önlemek için gaz pedalını mümkün olan en düşük konumda kullanın.
- Üfleyici ucunu yere yakın tutun.

Not: Husqvarna, tam üfleyici ucu uzatmasını kullanmanızı önerir.

- Rüzgar yönüne dikkat edin ve ürünü rüzgar yönünde çalıştırın.
- Malzemeleri yerden ayırmak için uygun bahçe aletlerini kullanın.
- Tozlu alanlarda alanı ıslatmak için sprey ekipmanını kullanın. Bu işlem, çalışma süresini azaltır.
- Ürünü kullandıktan sonra dikey konumda saklayın.

Ürünü durdurma



DİKKAT: Ürünü tam hızda durdurmayın.

1. Durdurma anahtarına basın. (Şek. 32)

Not: Ürün durduğunda bir çarpma sesi duyabilirsiniz. Bu tipik bir durumdur ve ürünün arızalı olduğunu göstermez.

Kuşam askılığın ayarlanması

1. Ürünün kuşam askılığını takın.
2. Bel kemerini belinize takın ve bel kayışının kemer tokasını bağlayın. (Şek. 33)
3. Bel kemeri kayışını sıkın. (Şek. 34)
4. Göğüs kayışının kemer tokasını bağlayın. (Şek. 35)

- Göğüs kayışının konumunu ayarlayın. (Şek. 36)
- Göğüs kayışını sıkın. (Şek. 37)

- Ürün, vücudunuzu sıkıca kavrayana kadar omuz kayışlarını sıkın. (Şek. 38)
- Yük kaldırma kayışlarını sıkın. (Şek. 39)

Bakım

Giriş



UYARI: Ürün üzerinde bakım yapmadan önce güvenlik bölümünü okuyup anlayın.

Bakım takvimi

Bakım	Günlük	Haftalık olarak	Aylık olarak
Dış yüzeyleri temizleyin.	X		
Kontrol kolunun doğru şekilde çalıştığından emin olun.	X		
Çalıştırma/durdurma anahtarının doğru şekilde çalıştığından emin olun. Bkz. <i>Başlatma/durdurma anahtarını kontrol etme sayfada: 327.</i>	X		
Motorda, yakıt tankında ve yakıt hatlarında kaçak olup olmadığına bakın. Yakıt filtresinde kirlilik olup olmadığını kontrol edin. Gerekirse yakıt filtresini değiştirin.	X		
Hava filtresini temizleyin. Gerekirse hava filtresini değiştirin.	X		
Somun ve vidaları sıkın.	X		
Hava girişini inceleyin ve tıkalı olmadığından emin olun.	X		
Marş motorunda ve marş ipinde hasar olup olmadığına bakın.		X	
Titreşim azaltma ünitelerinde hasar, çatlak ve aşınma olup olmadığını kontrol edin. Titreşim azaltma ünitelerinin doğru şekilde takıldığından emin olun.		X	
Bujiyi kontrol edin. Bkz. <i>Bujinin kontrolü sayfada: 330.</i>		X	
Soğutma sistemini temizleyin.		X	
Karbüratörün dış yüzeyini ve etrafındaki bölgeyi temizleyin.		X	
Yakıt tankını temizleyin.			X
Tüm kabloları ve bağlantıları kontrol edin.			X
Susturucu üzerindeki kıvılcım önleyici siperliğini kontrol edip temizleyin (katalitik konvertörü olmayan ürünler için).		X	
Susturucu üzerindeki kıvılcım önleyici siperliğini kontrol edip temizleyin (katalitik konvertörlü ürünler için).			X
Bujiyi kontrol edin. Gerekirse değiştirin.			X

Rölantinin ayarlanması

- Hava filtresinin temiz olduğundan ve hava filtresi kapağının takıldığından emin olun.
- Rölanti vidasını kullanarak rölantiyi ayarlayın. Rölanti vidasının ürününüzün neresinde olduğunu görmek için bkz. *Ürüne genel bakış sayfada: 324.*

Bujinin kontrolü



DİKKAT: Önerilen bujii kullanın. Bkz. *Teknik veriler sayfada: 333.* Yanlış buji, ürüne zarar verebilir.

1. Motoru durdurun ve ürünün soğumasını bekleyin.
2. Buji kirliyse bujuyu temizleyin.
3. Elektrot boşluğunun doğru olduğundan emin olun. Bkz. *Teknik veriler sayfa: 333*. (Şek. 40)
4. Bujuyu ayda bir veya gerekirse daha sık değiştirin.

Susturucuda bakım yapma



DİKKAT: Kıvılcım önleyici siperlik sık sık tıkanıyorsa bu durum katalitik dönüştürücü performansının azaldığının bir göstergesi olabilir. Susturucuyu kontrol ettirmek için servis bayinize görüşün. Tıkanan bir kıvılcım önleyici siperlik aşırı ısınmaya neden olarak silindirde ve pistonda hasar yaratır.



DİKKAT: Kıvılcım önleyici siperlik hasarlıysa değiştirilmelidir. Susturucunun üzerinde kıvılcım önleyici siperlik yoksa veya siperlik arızalıysa ürünü kullanmayın.

- Susturucudaki kıvılcım önleyici siperliği temizleyin. Bir tel fırça kullanın. (Şek. 41)
- 50 saatlik çalışmanın ardından servis bayisinden susturucu ve kıvılcım önleyici siperlik için bakım veya değişim yapmasını talep edin.

Soğutma sistemini kontrol etme ve temizleme

Soğutma sisteminde silindir üzerindeki soğutma kanatları ve hava giriş bölgesi bulunur.

1. Motoru durdurun.
2. Soğutma sisteminin kirliliği ya da tıkalı olmadığından emin olun. Gerekirse hava giriş bölgesini ve soğutma kanatlarını temizleyin.



DİKKAT: Kirli veya tıkanmış soğutma sistemi, motor sıcaklığının artmasına ve üründe hasara neden olabilir. Tıkalı hava giriş bölgesi üfleme kuvvetini azaltır.

3. Soğutma sisteminde hasar olup olmadığını kontrol edin. Parçaların ürüne doğru şekilde takıldığından emin olun.

Hava filtresinin temizlenmesi



DİKKAT: Hava filtresi olmadan veya hasarlı hava filtresi ile ürünü kullanmayın. Havadaki toz motorda hasara neden olabilir.

1. Jikle kontrolünü kapalı konumuna itin.
2. Hava filtresi kapağını (A) çıkarın.
3. Ön filtreyi (B) hava filtresi kapağından çıkarın. (Şek. 42)
4. Hava filtresini (C) filtre çerçevesinden çıkarın.
5. Ön filtreyi ve hava filtresini ılık su ve sabunla temizleyin.

Not: Uzun süre kullanılmış hava filtresi tamamen temizlenemez. Hava filtresini düzenli olarak değiştirin; kusurlu hava filtresini mutlaka değiştirin.

6. Hava filtresi kapağının (A) iç yüzeyini bir fırça ile temizleyin.
7. Hava filtresini filtre çerçevesine yerleştirin.
8. Ön filtreyi hava filtresi kapağına takın.
9. Hava filtresi kapağını ürüne takın.

Sorun giderme

Motor çalıştırılmıyorsa		
Kontrol edin	Olası neden	Çözüm
Marştaki dişli çark mandalları.	Marş motoru mandalları tıkanmış veya aşınmış.	Marş motoru mandallarını ayarlayın ya da değiştirin.
		Marş motoru mandallarının etrafını temizleyin.
		Yetkili bir servis bayisiyle görüşün.
Yakıt tankı.	Yanlış yakıt tipi.	Yakıt tankını boşaltın ve doğru yakıt kullanın.
Karbüratör.	Rölantinin ayarlanması.	Rölanti ayar vidasını kullanarak rölantiyi ayarlayın.

Motor çalıştırılmıyor		
Kontrol edin	Olası neden	Çözüm
Ateşleme (kıvılcım yok).	Buji kirlenmiş ya da ıslak.	Bujinin kuru ve temiz olduğundan emin olun.
	Bujideki elektrot boşluğu hatalı.	Bujiyi temizleyin. Elektrot boşluğunun doğru olduğundan emin olun.
		Doğru elektrot boşluğu için teknik bilgilere göz atın.
Buji.	Buji gevşemiş.	Bujiyi sıkın.
	Buji elektrotlarında istenmeyen maddeler var.	Yakıt karışımının doğru olduğundan emin olun. Hava filtresinin temiz olduğundan emin olun.

Motor çalışıyor ancak tekrar duruyor		
Kontrol edin	Olası neden	Çözüm
Yakıt tankı.	Yanlış yakıt tipi.	Yakıt tankını boşaltın ve doğru yakıt kullanın.
Karbüratör.	Motor rölantide düzgün çalışmıyor.	Servis bayinize danışın.
Hava filtresi.	Hava filtresi tıkanmış.	Hava filtresini temizleyin.

Taşıma ve saklama

Taşıma ve saklama



UYARI: Yangın riskini önlemek için taşıma veya depolama sırasında sızıntı veya duman olmadığından emin olun. Kıvılcım veya yangın riski olmadığından emin olun.

- Ürünü taşımadan veya uzun süreli depolamadan önce yakıt tankını boşaltın. Yakıt pompası diyaframı haznesini iterek yakıtın tamamen boşaltıldığından emin olun. Yakıtı uygun bir çöp atma merkezinde bertaraf edin.
- Uzun süreli depolamadan önce ürünün temiz olduğundan ve tam servis işleminin yapıldığından emin olun.
- Bujiyi çıkarın ve silindire yaklaşık 15 ml iki zamanlı yağ koyun. Ürünü 3 kez döndürün ve bujiyi tekrar takın.
- Taşıma sırasında ürünü araca güvenli şekilde sabitleyin.
- Ürünü hava akışı iyi olan kuru, serin ve temiz bir yerde tutun. Ürünü çocuklardan uzakta tutun.

Teknik veriler

Teknik veriler

	Husqvarna 345BT (BP152HV)
Motor	
Silindir hacmi, cm ³	51,7
Rölanti, dev/dak	2800
Katalitik konvertör	Evet
Ateşleme Sistemi	
Buji	NGK BPMR7A/Champion RCJ6Y
Elektrot boşluğu, mm	0,6 - 0,7
Buji torku, Nm	25 - 30
Yakıt ve yağlama sistemi	
Yakıt tankı kapasitesi, l/cm ³	1,0/1000
Ağırlık	
Yakıtsız ağırlık, kg	10,0
Gürültü yayma ⁷⁹	
Ses gücü seviyesi, ölçülen dB (A)	110
Ses gücü seviyesi, L _{WA} dB (A) garantili	113
Ses seviyeleri ⁸⁰	
EN15503 uyarınca ölçülen, operatörün kulağında oluşan eşdeğer ses basınç düzeyi, dB(A):	
Üfleyici ucuyla (orijinal) donatılmıştır	101
Titreşim seviyeleri ⁸¹	
EN 15503 uyarınca ölçülen, tutma yerlerindeki eşdeğer titreşim düzeyleri (a _{h_v,eq}), m/sn ²	6,1
Fan performansı	
Yüksek hızlı uç ile maks. hava hızı, m/sn	98,3
Yüksek hızlı uç olmadan hava akışı, m ³ /dak	13,9

⁷⁹ 2000/14/AT sayılı AT direktifi uyarınca ses gücü (L_{WA}) olarak çevrede ölçülen gürültü yayma seviyesi. Makine için bildirilen ses seviyesi, en yüksek seviyeyi veren orijinal kesme donanımıyla ölçülmüştür. Garanti edilen ve ölçülen ses düzeyi arasındaki fark, garantili ses gücünün 2000/14/AT Sayılı Direktif doğrultusunda ölçüm sonucundaki dağılımı ve aynı modelden farklı makineler arasındaki değişimleri de içermesidir.

⁸⁰ Ses basıncı düzeyi için bildirilen verilerdeki tipik istatistik dağılım (standart sapma) 3,0 dB (A) şeklindedir.

⁸¹ Titreşim düzeyi için bildirilen verilerin tipik istatistik dağılımı (standart sapması) 1,5 m/sn² şeklindedir.

AT Uyumluluk Bildirimi

AT uyumluluk bildirimii

Husqvarna AB, SE 561 82 Huskvarna, İSVEÇ olarak, sunulan ürünün tek sorumlusu olma vasfıyla aşağıdaki beyanlarda bulunmaktayız:

Açıklama	Benzinli Üfleyci / Üfleyci-Vakum
Marka	Husqvarna
Platform / Tür / Model	BP152HV modelini temsil eden 345BT platformu.
Parti	2022 ve sonrası tarihli seri numaraları.

Pär Martinsson

Teknik dokümantasyon sorumlusu

Türk ithalat şirketi daha fazla bilgi için temas edilecek:
Çullas Orman Bahçe ve Tarım Mak. San. Tic. A.Ş.
Suadiye Mh. Bağdat Cd. No:455/4
Kadıköy – 34740 İstanbul / Türkiye
Telefon: +90 216 519 88 82
Faks: +90 216 519 88 78
info@cullas.com.tr



aşağıdaki AB direktifleri ve düzenlemeleriyle tamamen uyumludur:

Direktif/Düzenleme	Açıklama
2006/42/AT	"makinelele ilgili"
2014/30/AB	"elektromanyetik uyumlulukla ilgili"
2000/14/AT	"açık alanda gürültüyle ilgili"
2011/65/AB	"belirli tehlikeli maddelerin kısıtlanmasıyla ilgili"

Uygulanan uyumlulaştırılmış standartlar ve/veya teknik özellikler şu şekildedir: EN ISO 12100:2010, EN 15503:2009+A2, CISPR 12:2007, EN ISO 14982:2009, EN IEC 63000:2018, EN IEC 63000:2018

2000/14/AT direktifi Ek V uyarınca beyan edilen ses değerleri, bu kılavuzun teknik veriler kısmında belirtilmiştir.

TÜV Rheinland, Husqvarna AB adına makinelerle ilgili 2006/42/AT sayılı AT Konsey direktifi AM 50391742 Uyumluluk beyanı uyarınca gönüllü bir inceleme gerçekleştirmiştir.

Sertifika, tüm üretim yerleri ve Menşee Ülkeleri için üründe belirtildiği şekilde geçerlidir.

Verilen benzinli üfleyci / üfleyci-vakum, incelemeden geçmiş örnekle uyumludur.

Husqvarna AB, SE-561 82 Huskvarna, İSVEÇ adına,

Зміст

Вступ.....	335	Усунення несправностей.....	344
Безпека.....	336	Транспортування та зберігання.....	345
Збирання.....	339	Технічні дані.....	347
Експлуатація.....	339	Декларація відповідності ЄС.....	349
ТЕХНІЧНЕ ОБСЛУГОВУВАННЯ.....	342		

Вступ

Опис виробу

Цей виріб – ранцевий повітродув із двигуном внутрішнього згоряння.

Наша компанія дотримується політики, що передбачає постійне вдосконалення продукції, тому ми залишаємо за собою право змінювати дизайн

Огляд виробу

(Мал. 1)

1. Важіль керування дросельною заслінкою
2. Рама
3. Пасова підвіска
4. Кришка двигуна
5. Кожух вентилятора
6. Екран повітрозбірника
7. Повітряний фільтр
8. Ручка стартера
9. Паливний бак
10. Поясний ремінь
11. Свічка запалювання
12. Система поглинання вібрації
13. Керування повітряною заслінкою
14. Ручка керування
15. Вимикач із керуванням дроселем
16. Курок газу
17. Коліно труби
18. Затискач
19. Гнучкий шланг
20. Труба керування
21. Кабельний затискач
22. Проміжна труба
23. Насадка повітродува
24. Посібник користувача
25. Комбінований гайковий ключ
26. Кнопка продувки повітря
27. Насадка з меншим вихідним отвором
28. Гвинт регулювання холостого ходу
29. Вентилятор
30. Опора для стопи

і зовнішній вигляд виробів без попереднього сповіщення.

Призначення

Використовуйте виріб для очищення ділянок на кшталт газонів, доріжок і асфальтних доріг від листя й інших небажаних предметів.

Символи на виробі

- (Мал. 2) **ОБЕРЕЖНО!** Цей виріб може бути небезпечним і здатний спричинити тяжкі травми або смерть оператора чи сторонніх осіб. Будьте обережні й використовуйте виріб правильно.
- (Мал. 3) Перед користуванням виробом уважно прочитайте посібник користувача й переконайтеся, що ви зрозуміли всі вказівки.
- (Мал. 4) Використовуйте сертифіковані засоби захисту органів слуху й очей. Під час роботи в пильних умовах використовуйте дихальну маску.
- (Мал. 5) Під час експлуатації та технічного обслуговування використовуйте захисні рукавиці встановленого зразка. Використовуйте захисне взуття на неслизькій підшві. Використовуйте одяг із міцної тканини, що закриває всі ділянки тіла.
- (Мал. 6) Необхідно слідкувати, щоб довге волосся було заколото вище рівня плечей.
- (Мал. 7) Не використовуйте вільний одяг і знімайте прикраси перед роботою.
- (Мал. 8) Суміш бензину й оливи для двотактних двигунів.
- (Мал. 9) Кнопка продувки повітря.

- (Мал. 10) Уникайте контактів із гарячими поверхнями.
- (Мал. 11) Уникайте контактів із крильчаткою під час її обертання.
- (Мал. 12) Заслінка, відкрите положення.
- (Мал. 13) Заслінка, закрите положення.
- (Мал. 14) Гвинт регулювання холостого ходу.
- (Мал. 15) Виріб відповідає вимогам застосованих директив ЄС.
- (Мал. 16) Цей виріб відповідає вимогам застосованих норм Сполученого Королівства.
- (Мал. 17) Випромінювання шуму в навколишнє середовище виміряне згідно з європейською директивою 2000/14/ЄС і Законом про збереження навколишнього середовища (контроль шуму) 2017 р. Нового Південного Уельсу. Дані про випромінювання шуму вказані на паспортній табличці пристрою, а також у розділі технічних характеристик.

Остерігайтеся предметів, що відскакують. Предмети, що відскакують, можуть спричинити серйозні травми. Використовуйте засоби індивідуального захисту.

(Мал. 18)

(Мал. 19)

uuuuwwxxxx

Дотримуйтеся безпечної відстані й не підходьте до людей або тварин ближче ніж на 15 м.

На табличці з паспортними даними чи на етикетці вказано серійний номер. **uuuu** вказує на рік виготовлення, а **ww** – на тиждень виготовлення.

Зверніть увагу: Інші позначення на виробі відповідають вимогам спеціальних сертифікатів для інших торгових зон.

Відповідальність за якість продукції

Згідно із законом про відповідальність за якість продукції ми не несемо відповідальності за будь-які пошкодження, спричинені роботою наших виробів, якщо:

- виріб було неправильно відремонтовано;
- виріб було відремонтовано із використанням деталей, виготовлених не виробником або не затверджених ним;
- виріб обладнано аксесуаром, виготовленим не виробником або не затвердженим ним;
- виріб було відремонтовано в неавторизованому сервісному центрі або неавторизованою компанією;

Безпека

Визначення щодо безпеки

Визначення, наведені нижче, пояснюють рівень серйозності кожного сигнального слова.



ПОПЕРЕДЖЕННЯ: Безбезпека травми для людини.



УВАГА: Безбезпека пошкодження виробу.

Зверніть увагу: Ця інформація спрощує використання виробу.

Загальні правила техніки безпеки



ПОПЕРЕДЖЕННЯ: Перш ніж розпочати використання виробу, уважно прочитайте наведені нижче попередження.

- Не вносьте зміни у виріб без дозволу виробника й завжди використовуйте оригінальні приладдя. Несанкціоноване внесення змін та / або використання неоригінального приладдя можуть призвести до серйозних травм або смерті оператора або інших осіб.
- Не користуйтеся пошкодженим виробом. Перевірку безпеки й технічне обслуговування необхідно проводити відповідно до інструкцій у цьому посібнику користувача. Будь-які інші види

обслуговування мають виконувати авторизовані фахівці з обслуговування.

- Усі операції з технічного обслуговування та ремонту мають виконувати авторизовані фахівці з обслуговування. Якщо якась деталь виробу несправна, зверніться до свого дилера з обслуговування.

Противібраційна безпека

Цей виріб призначено для періодичного використання. Тривала або регулярна робота з виробом може призвести до синдрому білих пальців або інших хвороб через вібрацію. У разі тривалої або регулярно експлуатації виробу перевіряйте стан своїх рук та пальців. Якщо колір ваших рук або пальців змінився, ви відчуваєте в них біль, поколювання або оніміння, припиніть роботу та негайно зверніться до лікаря.

Правила техніки безпеки під час використання виробу



ПОПЕРЕДЖЕННЯ: Перш ніж розпочати використання виробу, уважно прочитайте наведені нижче попередження.

- Цей виріб може бути небезпечним і здатний спричинити тяжкі травми або смерть оператора чи сторонніх осіб. Будьте обережні й використовуйте виріб правильно.
- Перевірте виріб перед використанням. Див. *ТЕХНІЧНЕ ОБСЛУГОВУВАННЯ* на сторінці 342.
- Не використовуйте виріб, якщо ви втомлені, хворі чи перебуваєте під впливом алкоголю або якихось наркотичних речовин чи медичних препаратів, що можуть впливати на ваш зір, здатність оцінювати навколишні умови або на координацію.
- Перед використанням установіть усі кришки й захисні кожухи. Щоб уникнути ураження електричним струмом, переконайтеся в тому, що ковпачок свічки запалювання та кабель запалювання не пошкоджені.
- Не торкайтеся ковпачка свічки запалювання або кабелю запалювання, коли двигун увімкнено.
- Дотримуйтеся безпечної відстані й не підходьте до людей або тварин ближче ніж на 15 м. Якщо люди, діти або тварини підійдуть до вас ближче ніж на 15 м, вимкніть виріб. Не спрямовуйте виріб у бік людей, тварин, відчинених вікон та інших предметів.
- Не дозволяйте дітям керувати виробом. Переконайтеся, що всі оператори прочитали цей посібник користувача й розуміють його зміст.
- Під час роботи тримайте руки або інші предмети подалі від корпусу повітродува. Деталі, що обертаються, можуть спричинити серйозні травми.

- Не використовуйте виріб, якщо екран повітрозабірника не встановлено. Перед роботою завжди перевіряйте екран повітрозабірника: він має бути встановлений і не пошкоджений.
- У разі надзвичайної ситуації скиньте виріб, від'єднавши поясний і грудний ремені від системи підвішування.
- Дотримуйтеся нормативних вимог і директив вашої країни.
- Уникайте контактів із гарячими поверхнями.
- Занадто сильна вібрація може спричинити порушення кровообігу або пошкодження нервової системи. У разі появи таких симптомів, як оніміння, втрата чутливості, шум у вухах, поколювання, біль, знесилення або зміна кольору шкіри пальців, кистей або зап'ясть, зверніться до лікаря.
- Остерігайтеся предметів, що відскакують. Предмети, що відскакують, можуть спричинити серйозні травми.
- Не використовуйте виріб у погану погоду, наприклад під час туману, дощу, сильного вітру або при низькій температурі. Робота в погану погоду втомлює та створює небезпечні умови.
- Переконайтеся, що ви можете вільно рухатися та зберігати стабільне положення. Перевірте робочу зону на наявність можливих перешкод, наприклад скель. Будьте обережні під час використання виробу на схилі.
- Не кладіть працюючий виріб на землю.
- Не використовуйте виріб, коли стоїте на узвишші, наприклад, на сходах.
- Переконайтеся, що вас завжди зможуть почути, якщо трапиться нещасний випадок.
- Переконайтеся, що вихлопний отвір не заблоковано. Щоб запобігти пошкодженню виробу, навколо вихлопного отвору має залишатися не менше 50 см вільного простору.
- Не вмийте виріб у приміщенні, в умовах поганого потоку повітря чи біля легкозаймистих матеріалів. Вихлопні гази двигуна містять монооксид вуглецю, який може викликати отруєння. Вихлопні гази двигуна мають високу температуру й можуть містити іскри, здатні спричинити пожежу.

Засоби індивідуального захисту



ПОПЕРЕДЖЕННЯ: Перш ніж розпочати використання виробу, уважно прочитайте наведені нижче попередження.

- Під час роботи з виробом використовуйте сертифіковане особисте захисне спорядження. Засоби індивідуального захисту не можуть повністю усунути небезпеку травмування, але можуть знизити ступінь тяжкості травми. Щоб отримати додаткову інформацію, зверніться до свого дилера.

- Користуйтеся затвердженими захисними навушниками. Тривала робота в умовах сильного шуму може призвести до хронічного погіршення слуху.
- Користуйтеся відповідними засобами захисту очей. У разі використання захисної маски необхідно додатково вдягати схвалені захисні окуляри. Схвалені захисні окуляри мають відповідати стандарту ANSI Z87.1 в США чи EN 166 у країнах ЄС.
- Під час роботи й технічного обслуговування використовуйте захисні рукавиці.
- Використовуйте захисне взуття на неслизькій підшві.
- Використовуйте одяг із міцної тканини, що закриває всі ділянки тіла. Не надягайте прикраси або відкрите взуття. Щоб зменшити ризик травмування, одяг має щільно облягати тіло, але не обмежувати рухів. Приберіть волосся з плечей, щоб воно не потрапило в обертіві частини й не зачепилося за гілки.
- Під час роботи в пильних умовах використовуйте засоби захисту органів дихання.
- Тримайте під рукою аптечку.

- Регулярно оглядайте глушник. Глушник зменшує рівень шуму й відводить вихлопні дими подалі від оператора. Див. *Перевірка та очищення системи охолодження на сторінці 344.*

Перевірка системи поглинання вібрації

1. Переконайтеся, що на елементах поглинання вібрації немає тріщин або деформацій.
2. Упевніться, що елементи поглинання вібрації правильно прикріплені до двигуна та рукоятки.

Інформацію про розташування системи поглинання вібрації на пристрої див. у розділі *Огляд виробу на сторінці 335.*

Перевірка вимикача

1. Щоб зупинити двигун, використовуйте перемикач START/STOP (Пуск/Стоп).
2. Переконайтеся, що двигун повністю зупинився.

Розташування вимикача на виробі див. в розділі *Огляд виробу на сторінці 335.*

Правила техніки безпеки під час роботи з системою підвішування підвіскою

Під час експлуатації виробу завжди використовуйте систему підвішування. Без системи підвішування ви не зможете безпечно експлуатувати виріб. Це може призвести до того, що ви травмуєтеся самі або травмуєте інших. Переконайтеся, що поясний і грудний ремені пристебнуті й відрегульовані належним чином. Непристебнутий ремінь може потрапити до вентилятора виробу.

(Мал. 20)

Заходи безпеки під час роботи з паливом



ПОПЕРЕДЖЕННЯ: Перш ніж розпочати використання виробу, уважно прочитайте наведені нижче попередження.

- Не змішуйте й не додавайте паливо в приміщеннях або біля джерел тепла.
- Якщо на виріб або на вас потрапило паливо чи олива, не вмийте виріб.
- Якщо з двигуна витікає паливо, не вмийте виріб. Регулярно перевіряйте, чи не витікає з двигуна паливо.
- Обережно поводьтеся з паливом. Паливо є легкозаймистою речовиною, а його пари вибухонебезпечні й можуть призвести до серйозних травм або смерті.
- Не вдихайте вихлопні гази, це може призвести до травм. Забезпечте належне провітрювання.

Механізми безпеки на пристрої



ПОПЕРЕДЖЕННЯ: Перш ніж розпочати використання виробу, уважно прочитайте наведені нижче попередження.

- Не використовуйте виріб із пошкодженими захисними пристроями.
- Регулярно перевіряйте захисні пристрої. Див. *ТЕХНІЧНЕ ОБСЛУГОВУВАННЯ на сторінці 342.*
- У випадку пошкодження запобіжних механізмів зверніться до сервісного дилера Husqvarna.

Перевірка глушника



ПОПЕРЕДЖЕННЯ: Не користуйтеся виробом із несправним глушником.



ПОПЕРЕДЖЕННЯ: Під час роботи, а також у холостому режимі глушник сильно нагрівається й деякий час залишається гарячим після вимкнення виробу. Щоб уникнути опіків, використовуйте захисні рукавиці.



ПОПЕРЕДЖЕННЯ: Усередині глушника є хімічні елементи, що можуть бути канцерогенними. Не торкайтеся глушника, якщо він пошкоджений.

- Не паліть біля пального або двигуна.
- Не залишайте виріб або контейнер із паливом біля теплих об'єктів, відкритого вогню, джерела іскор або запальника.
- Для зберігання та транспортування палива слід використовувати лише сертифіковані резервуари.

уважно прочитайте наведені нижче попередження.

Правила техніки безпеки під час обслуговування



ПОПЕРЕДЖЕННЯ: Перш ніж розпочати використання виробу,

- Зупиніть двигун, вийміть свічку запалювання й дайте йому охолонути перед технічним обслуговуванням і складанням.
- Засмічений іскрогасник спричиняє перегрівання, що може призвести до пошкодження двигуна.
- Якщо іскрогасник часто забивається, це свідчить про неефективність роботи каталітичного нейтралізатора. Зверніться до дилера з обслуговування, щоб перевірити глушник.

Збирання

Вступ



ПОПЕРЕДЖЕННЯ: Перед збиранням виробу уважно прочитайте розділ про правила техніки безпеки.

Порядок складання труби повітродува й ручки керування на виробі

Зверніть увагу: Щоб трубки й гнучкий шланг було легше зібрати, змастіть їх.

1. За допомогою хомутів (C) та (D) прикріпіть гнучкий шланг (A) до коліна труби й труби керування (B). (Мал. 21)
2. Прикріпіть тримач ручки (E) до труби керування. Вирівняйте тримач ручки з фланцем на трубі керування. (Мал. 22)

3. Відрегулюйте ручку керування й установіть її в безпечне та правильне робоче положення. Затягніть фіксуючу головку.
4. Прикріпіть кабель до гнучкого шланга за допомогою кабельного тримача. (Мал. 23)
5. Приєднайте проміжну трубу до труби керування. (Мал. 24)
6. Приєднайте насадку повітродува до проміжної труби.

Зверніть увагу: Насадка повітродува може бути встановлена лише на проміжній трубі.

7. Для забезпечення більшої швидкості повітря приєднайте до насадки повітродува насадку з меншим вихідним отвором.

Експлуатація

Вступ



ПОПЕРЕДЖЕННЯ: Перед використанням виробу уважно прочитайте розділ про правила техніки безпеки.

Паливо

Цей виріб оснащений двотактним двигуном.



УВАГА: Заправлення паливом невідповідного типу може призвести до пошкодження двигуна. Використовуйте суміш бензину й масла для двотактних двигунів.

Попередньо змішане паливо

- Для найкращої продуктивності та подовження терміну служби двигуна використовуйте попередньо змішане алкілатне паливо Husqvarna. Це паливо містить менш шкідливі хімічні речовини порівняно зі звичайним. Завдяки цьому зменшується шкідливий вплив вихлопних димів. Кількість залишків після згорання цього палива менша, завдяки чому компоненти двигуна залишаються більш чистими.

Змішування палива

Бензиновий двигун

- Використовуйте високоякісний неетилований бензин із максимальним вмістом етанолу 10 %.



УВАГА: Не використовуйте бензин з октановим числом нижче 90 RON/87 AKI. Використання бензину з нижчим октановим числом може призвести до стукоту у двигуні та його пошкодження.



УВАГА: Не змішуйте за один раз палива більше, ніж необхідно на 1 місяць роботи.

Масило для двотактних двигунів

- Для досягнення найкращих результатів і продуктивності використовуйте масло Husqvarna для двотактних двигунів.
- Якщо масла Husqvarna для двотактних двигунів немає, використовуйте інше високоякісне масло для двотактних двигунів із повітряним охолодженням. Щоб вибрати правильне масло, зверніться до свого дилера з обслуговування.



УВАГА: Не використовуйте оливу для двотактних двигунів із водяним охолодженням, яку також називають зовнішньою оливою. Не використовуйте масло для чотирьохтактних двигунів.

Змішування бензину та оливи для двотактних двигунів

Бензин, л	Масло для двотактних двигунів, л
	2 % (50:1)
5	0,10
10	0,20
15	0,30
20	0,40



УВАГА: У разі змішування невеликої кількості палива навіть незначні неточності можуть значно вплинути на пропорцію суміші. Щоб отримати правильну суміш, точно вимірюйте кількість масла.

(Мал. 25)

1. Влийте половину об'єму бензину в чистий резервуар для палива.
2. Додайте всю оливу.
3. Перемішайте паливну суміш.
4. Влийте решту бензину в резервуар.
5. Обережно перемішайте паливну суміш.

Заправлення паливного бака



ПОПЕРЕДЖЕННЯ: Задля своєї безпеки виконуйте вказану далі процедуру.

1. Зупиніть двигун і дайте йому охолонути.
2. Витріть поверхню біля кришки паливного бака. (Мал. 26)
3. Струсіть контейнер та переконайтеся, що суміш повністю перемішана.
4. Повільно відкрутіть кришку паливного бака, щоб скинути тиск.
5. Наповніть паливний бак.



УВАГА: Упевніться, що в паливному баку не дуже багато палива. Паливо розширюється, коли стає гарячим.

6. Обережно затягніть кришку паливного бака.
7. Видаляйте пролите паливо на виробі або навколо нього.
8. Перед запуском двигуна перенесіть виріб не менш ніж на 3 метри (10 футів) від місця заправлення та ємності з паливом.

Зверніть увагу: Розташування паливного бака на виробі див. у розділі *Огляд виробу на сторінці 335*.

Запуск холодного двигуна



ПОПЕРЕДЖЕННЯ: Повітряний потік починає виходити відразу після запуску двигуна, навіть коли він працює в холостому режимі. Не дозволяйте нікому стояти близько до повітродува або його труби.

1. Якщо двигун холодний, за допомогою регулятора (A) закрийте заслінку. Див. *Символи на виробі на сторінці 335*. (Мал. 27)
2. Принаймні 10 разів натисніть на кнопку продувки повітря (B), щоб вона почала заповнюватися паливом. Немає необхідності заповнювати її повністю.
3. Переведіть регулятор дросельної заслінки в положення швидкого холостого ходу. Зіставте напрямні позначки на важелі дросельної заслінки й ручці керування. (Мал. 28)
4. Покладіть виріб на землю на рівній ділянці.

- Утримуйте виріб лівою рукою, поставивши стопу на опору для стопи. (Мал. 29)
- Повільно потягніть ручку на тросі стартера правою рукою, доки не відчуєте опір.

Зверніть увагу: Не витягуйте трос стартера повністю та не відпускайте ручку на тросі стартера.

- Різно потягніть ручку на тросі стартера правою рукою не більше 6 разів, доки двигун не запуститься або не спробує запуститися. Якщо двигун запустився, поступово переведіть важіль повітряної заслінки у відкрите положення та перейдіть до кроку 11. Якщо двигун не запускається, перейдіть до кроку 9.
- Якщо двигун намагається запуститися, поступово переведіть важіль повітряної заслінки у відкрите положення.
- Різно потягніть ручку на тросі стартера правою рукою не більше 6 разів, доки двигун не запуститься.



Зверніть увагу: Якщо двигун не запускається, повторіть інструкції із запуску починаючи з кроку 1.

- Дайте двигуну попрацювати 30 секунд.
- Установіть регулятор дросельної заслінки в режим холостого ходу. (Мал. 30)
- Регулюйте частоту обертів двигуна повітродува за допомогою дросельного регулятора. Див. *Використання дросельного регулятора на сторінці 341.*

Запуск теплового двигуна

- Якщо температура навколишнього середовища нижча за 32 °C / 90 °F, використовуйте процедуру запуску, що описана в розділі *Запуск холодного двигуна на сторінці 340*, але не встановлюйте регулятор повітряної заслінки в положення закриття заслінки.
- Якщо температура навколишнього середовища нижча за 32 °C / 90 °F, використовуйте процедуру запуску, що описана в розділі *Запуск холодного двигуна на сторінці 340*.

Використання дросельного регулятора

- Щоб збільшити потужність повітродувки під час роботи, натисніть дросельний регулятор і утримуйте його, доки не досягнете потрібної потужності. (Мал. 31)
- Щоб зменшити потужність повітродувки під час роботи, відпустіть дросельний регулятор, доки не досягнете потрібної потужності.

Запуск двигуна з надто гарячим паливом

Якщо двигун не запускається, паливо може бути надто гарячим.

Зверніть увагу: Завжди використовуйте нове паливо й зменшуйте тривалість роботи за теплої погоди.

- Покладіть виріб у прохолодне місце, подалі від прямих сонячних променів.
- Зачекайте принаймні 20 хвилин, доки виріб охолоне.
- Натискайте кнопку продувки повітрям без зупинки протягом 10–15 секунд.
- Виконайте процедуру запуску холодного двигуна. Див. *Запуск холодного двигуна на сторінці 340*.

Робота з виробом

- Використовуйте виріб у звичайний робочий час. Дотримуйтеся місцевих норм.
- Використовуйте лише необхідні частини обладнання й виберіть правильну потужність для свого завдання. Використовуйте дросель у найнижчому положенні, щоб зменшити шум і кількість пилу до мінімуму.
- Тримайте насадку повітродува біля землі.

Зверніть увагу: Компанія Husqvarna рекомендує використовувати насадку повітродува на повну довжину.

- Визначте напрямки вітру й використовуйте виріб за вітром.
- Використовуйте відповідні садові інструменти, щоб відокремити від ґрунту матеріал, який слід прибрати.
- На пильних ділянках використовуйте розпилувальне обладнання для змочування ділянки. Це прискорить виконання роботи.
- Після використання зберігайте виріб у вертикальному положенні.

Вимкнення виробу



УВАГА: Не зупиняйте виріб, коли він працює на повну потужність.

- Натисніть вимикач. (Мал. 32)

Зверніть увагу: Під час зупинки виробу можна почути стукіт. Це нормально й не є ознакою несправності виробу.

Регулювання системи підвішування

1. Надягніть систему підвішування виробу.
2. Надягніть поясний ремінь на талію та застебніть його пряжку. (Мал. 33)
3. Затягніть ремінь на поясі. (Мал. 34)
4. Застебніть пряжку грудного ременя. (Мал. 35)
5. Відрегулюйте положення грудного ременя. (Мал. 36)
6. Затягніть грудний ремінь. (Мал. 37)
7. Затягуйте плечові лямки, доки виріб не буде щільно прилягати до тіла. (Мал. 38)
8. Затягніть піднімальні лямки. (Мал. 39)

ТЕХНІЧНЕ ОБСЛУГОВУВАННЯ

Вступ

прочитайте розділ про правила техніки безпеки.



ПОПЕРЕДЖЕННЯ: Перед технічним обслуговуванням уважно

Графік технічного обслуговування

Технічне обслуговування	Щодня	Щотижня	Щомісяця
Очищення зовнішніх поверхонь.	X		
Переконайтеся, що ручка керування працює належним чином.	X		
Переконайтеся, що вимикач працює належним чином. Див. <i>Перевірка вимикача на сторінці 338.</i>	X		
Перевірка двигуна, паливного бака й бензопроводів на наявність витоків. Перевірка паливного фільтра на забруднення. Якщо необхідно, замініть паливний фільтр.	X		
Почистьте повітряний фільтр. Замініть повітряний фільтр у разі необхідності.	X		
Затягніть гвинти й гайки.	X		
Перевірте повітрязабірник і переконайтеся, що він не забитий.	X		
Перевірка стартера й троса стартера на наявність пошкоджень.		X	
Перевірте елементи поглинання вібрації на наявність ушкоджень, тріщин і деформації. Переконайтеся, що елементи поглинання вібрації встановлено належним чином.		X	
Перевірка свічки запалювання. Див. <i>Перевірка свічки запалювання на сторінці 343.</i>		X	
Очищення системи охолодження.		X	
Очищення зовнішньої поверхні карбюратора й місця довкола нього.		X	
Очистьте паливний бак.			X
Перевірка всіх кабелів та з'єднань.			X
Перевірте й очистьте іскрогасник на глушнику (це стосується виробів без каталітичного нейтралізатора).		X	
Перевірте й очистьте іскрогасник на глушнику (це стосується виробів із каталітичним нейтралізатором).			X
Перевірка свічки запалювання. Замініть, якщо це необхідно.			X

Налаштування частоти холостого ходу

1. Переконайтеся, що повітряний фільтр чистий і що кришку повітряного фільтра встановлено.
2. Відрегулюйте число обертів двигуна на холостому ходу за допомогою гвинта частоти обертання на холостому ходу. Розташування гвинта частоти обертання на холостому ходу на виробі див. в розділі *Огляд виробу на сторінці 335.*

Перевірка свічки запалювання



УВАГА: Використовуйте лише рекомендовані свічки запалювання. Див. *Технічні дані на сторінці 347.* Неправильна свічка запалювання може призвести до пошкодження виробу.

1. Зупиніть двигун і дайте виробу охолонути.
2. Якщо свічка запалювання забруднена, почистьте її.
3. Переконайтеся, що проміжок між електродами правильний. Див. *Технічні дані на сторінці 347.* (Мал. 40)

4. Замінійте свічку запалювання щомісяця або частіше, якщо це потрібно.

Технічне обслуговування глушника



УВАГА: Якщо іскрогасник часто забивається, це свідчить про неефективність роботи каталітичного нейтралізатора. Щодо перевірки глушника зверніться до дилера з обслуговування. Робота із забитим іскрогасником спричинить перегрів, що призведе до пошкодження циліндра й поршня.



УВАГА: Якщо іскрогасник пошкоджений, його необхідно замінити. Забороняється використовувати виріб у разі відсутності або пошкодження іскрогасника.

- Очистьте сітку іскрогасника на глушнику. Використовуйте дротяну щітку. (Мал. 41)
- Після 50 годин роботи зверніться до дилера з обслуговування для заміни або ремонту глушника й іскрогасника.

Перевірка та очищення системи охолодження

Система охолодження складається з ребер охолодження на циліндрі й екрана повітрязабірника.

1. Зупиніть двигун.
2. Переконайтеся, що система охолодження не забруднена чи не забита. Якщо це необхідно, почистьте екран повітрязабірника й ребра охолодження.



УВАГА: Брудна або забита система охолодження може

спричинити перегрів двигуна, що може призвести до пошкодження виробу. Забитий екран повітрязабірника зменшує потужність потоку повітря.

3. Перевірте систему охолодження на наявність ушкоджень. Переконайтеся, що всі деталі правильно прикріплені до виробу.

Очищення повітряного фільтра



УВАГА: Не використовуйте виріб з відсутнім або пошкодженим повітряним фільтром. Пил у повітрі може спричинити пошкодження двигуна.

1. Установіть регулятор повітряної заслінки в положення закриття.
2. Зніміть кришку повітряного фільтра (А).
3. Зніміть фільтр попереднього очищення (В) з кришки повітряного фільтра. (Мал. 42)
4. Вийміть повітряний фільтр (С) з відсіку фільтра.
5. Промийте фільтр попереднього очищення та повітряний фільтр теплою водою з милом.

Зверніть увагу: Повітряний фільтр, який використовувався протягом довгого часу, неможливо очистити повністю. Регулярно замінюйте повітряний фільтр і завжди замінюйте дефектний повітряний фільтр.

6. Почистьте щіткою внутрішню поверхню кришки повітряного фільтра (А).
7. Установіть повітряний фільтр у відсік фільтра.
8. Прикріпіть фільтр попереднього очищення до кришки повітряного фільтра.
9. Прикріпіть кришку повітряного фільтра до виробу.

Усунення несправностей

Неможливо запустити двигун.		
Перевірка	Можлива причина	Рішення
Собачки стартера.	Засмічені або зношені собачки стартера.	Налаштуйте або замініть собачку(-и) стартера.
		Приберіть бруд навколо собачки(-ок) стартера.
		Зверніться до авторизованого дилера з обслуговування.

Неможливо запустити двигун.		
Перевірка	Можлива причина	Рішення
Паливний бак.	Неправильний тип палива.	Спорожніть паливний бак і залийте в нього паливо правильного типу.
Карбюратор.	Регулювання швидкості холостого ходу.	Відрегулюйте швидкість холостого ходу регулювальним гвинтом.
Іскра (немає іскри).	Свічка запалювання забруднена або волога.	Переконайтеся, що свічка запалювання суха та чиста.
	Неправильний проміжок між електродами свічки запалювання.	Чищення свічки запалювання. Переконайтеся, що проміжок між електродами правильний. Правильні значення проміжку між електродами наведено в розділі технічних даних.
Свічка запалювання.	Свічка запалювання не затягнута.	Закрутіть свічку запалювання.
	На електродах свічки запалювання накопився бруд.	переконайтеся в правильності змішування паливної суміші; переконайтеся, що повітряний фільтр чистий.

Після запуску двигун відразу вимикається		
Перевірка	Можлива причина	Рішення
Паливний бак.	Неправильний тип палива.	Спорожніть паливний бак і залийте в нього паливо правильного типу.
Карбюратор.	На холостому ходу двигун працює зі збоями.	Зверніться до свого дилера з обслуговування.
Повітряний фільтр.	Повітряний фільтр забився.	Почистьте повітряний фільтр.

Транспортування та зберігання

Транспортування та зберігання

Упевніться у відсутності небезпеки загорання чи іскор.



ПОПЕРЕДЖЕННЯ: Щоб уникнути небезпеки загорання, упевніться у відсутності протікань і випарів під час зберігання та транспортування виробу.

- Спорожніть паливний бак перед тривалим зберіганням чи транспортуванням. Натисніть кнопку продувки повітря, щоб упевнитися, що в

баку не лишилося палива. Утилізуйте паливо у відповідних місцях для утилізації.

- Перед тривалим зберіганням необхідно виконати чищення й повне обслуговування виробу.
- Зніміть свічку запалювання й налейте в циліндр приблизно 15 мл масла для двотактних двигунів. Увімкніть виріб тричі й знову встановіть свічку запалювання.
- Під час транспортування надійно закріплюйте виріб у транспортному засобі.
- Зберігайте виріб у прохолодному, сухому, чистому та добре провітрюваному приміщенні. Тримайте виріб подалі від дітей.

Технічні дані

Технічні характеристики

	Husqvarna 345BT (BP152HV)
Двигун	
Об'єм циліндра, см ³	51,7
Холостий хід, об/хв	2800
Каталітичний нейтралізатор	Так
Система запалювання	
Свічка запалювання	NGK BPMR7A/Champion RCJ6Y
Проміжок між електродами, мм	0,6–0,7
Зусилля затягування свічки запалювання, Н·м	25–30
Паливна система й система змащування	
Ємність паливного бака, л/см ³	1,0/1000
Маса	
Вага без палива, кг	10,0
Випромінювання шуму ⁸²	
Рівень звукової потужності, дБ (A)	110
Рівень звукової потужності, гарантований L _{WA} дБ(A)	113
Рівні звуку ⁸³	
Еквівалентний рівень звукового тиску для оператора, виміряний відповідно до стандарту EN15503, дБ(A):	
З використанням насадки повітродува (оригінальна деталь)	101
Рівні вібрації ⁸⁴	
Еквівалентні рівні вібрації (a _{hv,eq}) у ручках, виміряні відповідно до стандарту EN 15503, м/с ²	6,1
Характеристики вентилятора	
Максимальна швидкість подачі повітря за використання високошвидкісної насадки, м/с	98,3

⁸² Випромінювання шуму в середовище, виміряне як звукова потужність (L_{WA}), відповідає директиві ЄС 2000/14/ЄС. Зазначений рівень звукової потужності для машини було виміряно з оригінальним різальним обладнанням, що дає найвищий рівень. Різниця між гарантованим і вимірюваним рівнем звукової потужності полягає в тому, що гарантована звукова потужність включає також дисперсію результатів вимірювання й відмінності між різними машинами тієї самої моделі відповідно до Директиви 2000/14/ЄС.

⁸³ Заявлені дані про рівень шумового тиску мають стандартну статистичну розбіжність (стандартне відхилення) в 3,0 дБ(A).

⁸⁴ Вказані дані щодо рівня вібрації мають стандартну статистичну розбіжність (стандартне відхилення) у 1,5 м/с².

	Husqvarna 345BT (BP152HV)
Витрата повітря без використання високошвидкісної насадки, м ³ /хв	13,9

Декларація відповідності ЄС

Декларація відповідності ЄС

Ми, Husqvarna AB, SE 561 82 м. Гускварна, Швеція, заявляємо під свою виключну відповідальність, що представлений виріб:

Опис	Бензиновий повітродув / повітродув-пилосос
Бренд	Husqvarna
Платформа / Тип / Модель	Платформа BP152HV, представлена модель 345BT
Партія	Серійні номери за 2022 рік і пізніше

2006/42/ЄС «Про машини та механізми» за номером AM 50391742.

Цей сертифікат діє для всіх місць виробництва та країн-виробників, зазначених на виробі.

Бензиновий повітродув / повітродув-пилосос, що постачається, відповідає зразкам, які пройшли перевірку.

Від імені й за дорученням Husqvarna AB, SE-561 82 Huskvarna, SWEDEN (Швеція),



Пєр Мартінссон (Pär Martinsson)

Відповідальний за технічну документацію

повністю відповідає таким директивам і нормам ЄС:

Директива/норма	Опис
2006/42/ЄС	«Про механічне обладнання»
2014/30/EU	«Про електромагнітну сумісність»
2000/14/ЄС	«Про випромінювання шуму від обладнання, призначеного для використання надворі»
2011/65/EU	«Про обмеження використання деяких небезпечних речовин»



Застосовуються такі узгоджені стандарти й/або технічні вимоги: EN ISO 12100:2010, EN 15503:2009+A2, CISPR 12:2007, EN ISO 14982:2009, EN IEC 63000:2018, EN IEC 63000:2018

Згідно з директивою 2000/14/ЄС, додаток V, заявлені умови характеристики зазначені в розділі технічних даних цього посібника.

Компанія TÜV Rheinland виконала добровільну перевірку компанії Husqvarna AB та видала їй сертифікат відповідності нормам директиви Ради ЄС

Husqvarna®

www.husqvarna.com

Original instructions
Оригинални инструкции
Originalna uputstva
Původní pokyny
Originale instruktioner
Originalanweisungen
Αρχικές οδηγίες
Instrucciones originales
Originaaljuhend
Alkuperäiset ohjeet

Instructions d'origine
Originalne upute
Eredeti útmutatás
Istruzioni originali

Originalios instrukcijos
Lietošanas pamācība
Originale instructies
Originale instruksjoner
Oryginalne instrukcje
Instruções originais
Instruçiuni inițiale
Оригинальные инструкции
Původně pokyny
Izvirna navodila
Originalna uputstva
Bruksanvisning i original
Orijinal talimatlar
Оригинальні інструкції



1142246-38



2022-04-11