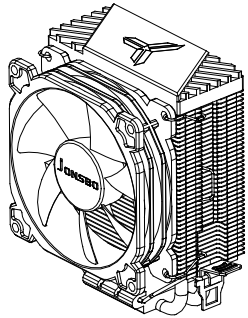


CR-1200

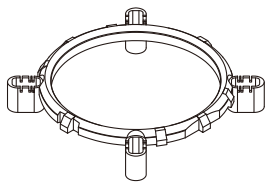
User's Manual

Chapter 1 - Part List

CPU Cooler
(AMD mounting bracket pre-installed)



Intel mounting bracket



Clips



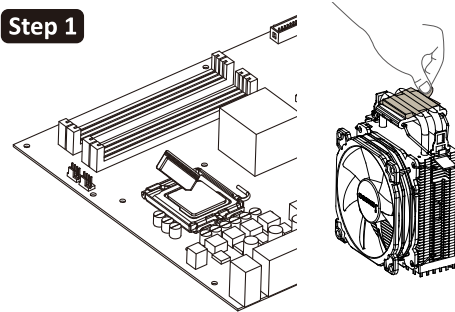
Push-pins



Thermal grease

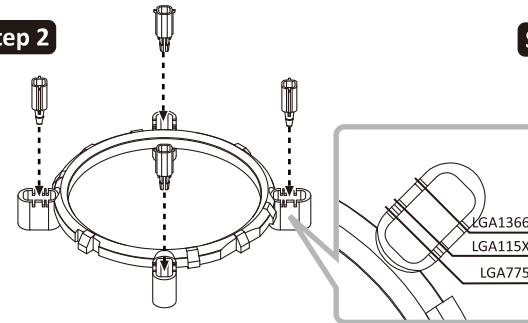


Step 1



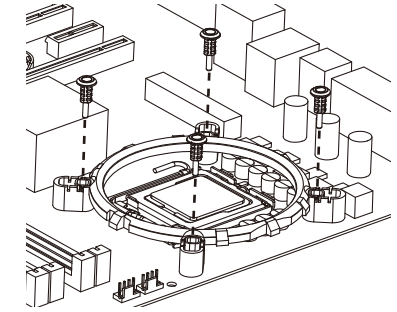
- EN** Apply the thermal grease evenly on to the CPU surface. Remove the protective film from the cooler base. (If your CPU platform is AMD, please skip to step 4-2)
- CN** 将散热硅脂均匀地涂抹到CPU表面上，并取下散热器底座的保护贴膜。(如果您的主板是AMD，请直接跳至步骤4-2)

Step 2



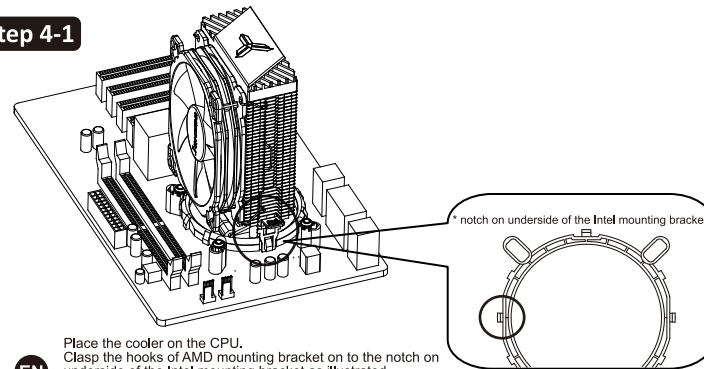
- EN** Insert the clips into the proper holes on the Intel mounting bracket.
- CN** 根据系统CPU脚位将透明定位柱固定在Intel安装扣具上的相应孔位内。

Step 3



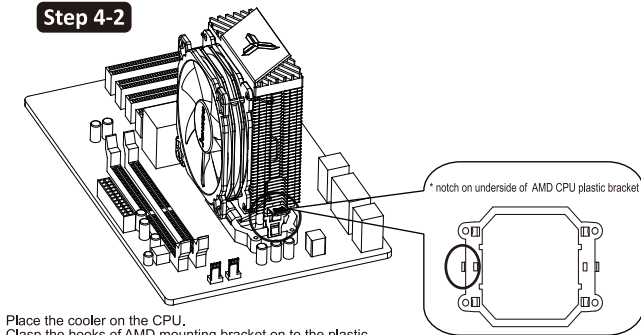
- EN** Press the push-pins into the clips and ensure the Intel mounting bracket is safely installed on the motherboard.
- CN** 将固定推钉放入透明定位柱内，并确保Intel安装扣具稳固地安装在主板上。

Step 4-1



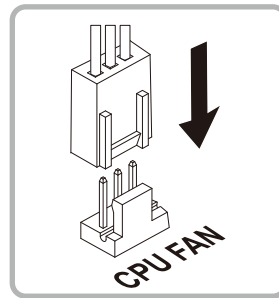
- EN** Place the cooler on the CPU. Clasp the hooks of AMD mounting bracket on to the notch on underside of the Intel mounting bracket as illustrated. Please ensure perfect contact between heatsink base and CPU surface.
- CN** 将散热器置于CPU上。将AMD安装支架两侧的铁钩扣住Intel安装支架底部的凹槽，如图所示。请确保散热器底座与CPU表面完全地接触。

Step 4-2



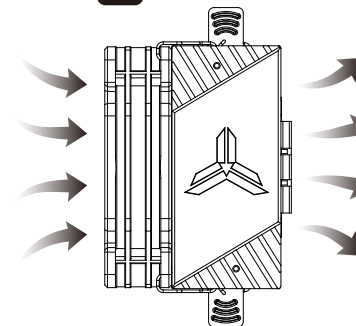
- EN** Place the cooler on the CPU. Clasp the hooks of AMD mounting bracket on to the plastic notches at the top end of the AMD CPU socket as illustrated. Please ensure perfect contact between heatsink base and CPU surface.
- CN** 将散热器置于CPU上。将AMD安装支架两侧的铁钩扣住AMD CPU插槽顶端的塑料凹槽，如图所示。请确保散热器底座与CPU表面完全地接触。

Step 5



- EN** Connect the fan 3 pin header to the CPU fan power socket on the motherboard. Install the fan as illustrated to achieve best cooling airflow.
- CN** 将风扇PWM 3pin连接头与主板连接。将风扇依照图示方向安装能提供最佳散热气流。

! Notice



CR-1200