



MSI SPATIUM Solid State Drive

Legal Disclaimer

MICRO-STAR INTERNATIONAL RESERVES THE RIGHT TO CHANGE PRODUCTS, INFORMATION AND SPECIFICATIONS WITHOUT NOTICE.

All images and descriptions are for illustrative purposes only. Visual representation of the products may not be perfectly accurate. Product specification, functions, and appearance may vary by model and differ from country to country. Although we endeavor to present the most precise and comprehensive information at the time of publication, a small number of items may contain typography or photography errors. Some products and configurations may not be available in all markets or launch time differs. Supplies are limited. We recommend you to check with your local supplier for exact offers and detailed specifications.

MSI, MSI gaming, dragon, and dragon shield names and logos, as well as any other MSI service or product names or logos displayed on the MSI website, are registered trademarks or trademarks of MSI. The names and logos of third party products and companies are the property of their respective owners and may also be trademarked. MSI trademarks and copyrighted materials may be used only with written permission from MSI. Any rights not expressly granted herein are reserved.

Copyright © 2021 Micro-Star INT'L CO., LTD. All rights reserved.

Installation Guide

English

- For more information on installation instructions, please refer to either the installation guide for your motherboard or the upgrade guide for your PC.
- 2.5 inch SSD bracket and M.2 screws are not included in this package.
- The M.2 SSD connector type may vary depending on the interface on the motherboard. Please check the specifications of your motherboard before installation.

繁體中文

- 關於產品安裝的更多訊息，請參閱主機板安裝手冊或個人電腦升級說明書。
- 此包裝中不包含 2.5 吋 SSD 轉接架和安裝 M.2 SSD 的螺絲。
- M.2 SSD 介面型式可能因主機板支援的介面而有所不同。請在安裝之前確認主機板規格。

简体中文

- 关于产品安装的更多信息，请参阅主板安装手册或个人电脑升级说明书。
- 此包装中不包含 2.5 寸 SSD 转接架以及安装 M.2 SSD 的螺丝。
- M.2 SSD 的介面形式可能因主板支持的介面而有所不同，请在安装之前确认主板规格。

日本語

- インストール手順の詳細については、お使いのマザーボードのインストールガイドまたは PC のアップグレードガイドのいずれかを参照してください。
- このパッケージには、2.5" SSD アダプタブラケットおよび M.2 SSD 固定用ネジは含まれていません。
- マザーボードがサポートするインターフェースによって、M.2 SSD コネクタの種類が異なる場合があります。事前にマザーボードの仕様をご確認ください。

한국어

- 설치 방법에 대한 자세한 내용은 메인보드 설치 가이드 또는 사용자 PC의 업그레이드 안내서를 참조하십시오.
- 2.5 인치 SSD 브래킷과 M.2 나사는 패키지에 포함되어 있지 않습니다.
- M.2 SSD 커넥터 유형은 메인보드의 인터페이스에 따라 다를 수 있습니다. 설치하기 전에 메인보드의 사양을 확인하십시오.

Español

- Consulta la guía de instalación de la placa o la guía de actualización de tu ordenador portátil, proporcionada por el fabricante del dispositivo, para obtener más información acerca de las instrucciones y precauciones de instalación.
- El soporte SSD 2.5" y los tornillos para fijar el SSD M.2 a tu equipo no están incluidos.
- El tipo de conector de la unidad del SSD M.2 puede variar según la compatibilidad con la placa base. Comprueba las especificaciones de tu placa base antes de la instalación.

Français

- Pour plus d'informations concernant les instructions d'installation et les avertissements, veuillez consulter le guide d'installation votre carte-mère ou de votre ordinateur portable qui vous a été fourni par le fabricant de l'appareil.
- Le support SSD 2,5" et les vis de fixation du SSD M.2 sur votre système ne sont pas fournis dans ce kit.
- Le type de connecteur SSD M.2 peut varier en fonction de l'interface prise en charge par votre carte mère ou pc portable.

Deutsch

- Weitere Informationen zur Installation, sowie zu Vorsichtsmaßnahmen, finden Sie in der Installationsanleitung Ihres Motherboards oder in der Upgrade-Anleitung Ihres PCs, die vom Gerätehersteller bereitgestellt wird.
- Schrauben zur Befestigung der M.2-SSD in Ihrem System sind nicht mit im Lieferumfang der SSD enthalten.
- Die Ausführung des M.2-Sockels kann, je nach verwendetem Bussystem (SATA/PCIe) des Motherboards, variieren. Bitte überprüfen Sie vor der Installation die technischen Daten Ihres Motherboards.

Italiano

- Per maggiori informazioni sull'installazione del disco, si prega di riferirsi alla guida o il manuale della propria scheda madre o del proprio PC
- L'adattatore per SSD da 2.5" per slot da 3.5" e le viti per il fissaggio del disco SSD M.2 non sono inclusi
- Il connettore M.2 può variare rispetto alla scheda madre in Vostro possesso. Si prega di controllare le specifiche prima dell'installazione

Nederlands

- Raadpleeg de installatiehandleiding van uw moederbord of de upgradehandleiding van uw pc voor meer informatie over installatie-instructies.
- Een 2.5 inch SSD bracket en schroeven voor het bevestigen van de M.2 SSD in uw systeem zijn niet inbegrepen in dit pakket.
- Het type M.2 SSD aansluiting kan variëren afhankelijk van de interface op het moederbord. Controleer voor de installatie de specificaties van uw moederbord.

Česky

- Pro více informací o instalaci se nejprve podívejte do manuálu desky nebo počítače.
- 2.5" rámeček a šroub pro M.2 nejsou součástí balení.
- M.2 SSD konektor se může lišit v závislosti na rozhraní desky. Přečtěte si prosím pozorně specifikace své desky před instalací.

Português

- Consulte o guia de instalação da motherboard ou o guia de atualização do seu portátil, fornecido pelo fabricante do dispositivo, para mais informações sobre as instruções e precauções de instalação.
- O suporte SSD de 2,5" e os parafusos para fixar o SSD M.2 ao seu computador não estão incluídos.
- O tipo de conector de unidade SSD M.2 pode variar dependendo da compatibilidade da motherboard. Por favor, verifique as especificações da sua motherboard antes da instalação.

Svenska

- Mer information om installationsinstruktioner finns i antingen installationsguiden för moderkortet eller uppraderingsguiden för din dator.
- 2.5-tums SSD-monteringsram och M.2-skruv är ingår inte i detta paket.
- M.2 SSD-anslutningen kan variera beroende på gränssnittet på moderkortet. Kontrollera specifikationerna för ditt moderkort innan installation.

Suomi

- Lisätietoja asennusohjeista on joko emolevyn asennusoppaassa tai tietokoneen päivitysoppaassa.
- 2,5 tuuman SSD-kiinnike ja M.2-ruuvit eivät sisälly tähän pakettiin.
- M.2 SSD -liitimen tyyppi voi vaihdella emolevyn liitännän mukaan. Tarkista emolevyn tekniset tiedot ennen asennusta.

Русский

- Для получения наиболее полной информации по установке твердотельного накопителя (SSD) и мерах предосторожности – обратиться к руководству пользователя для того устройства, к которому вы планируете подключить твердотельный накопитель.
- В комплект поставки не входят винты для крепления твердотельного накопителя M.2 к системе.
- Тип разъема M.2 SSD может различаться в зависимости от интерфейса материнской платы. Перед установкой необходимо ознакомиться с характеристиками материнской платы.

Polski

- W celu znalezienia większej ilości informacji na temat sposobu instalacji sprawdź instrukcję dołączoną do płyty głównej lub komputera.
- Koszyk na dysk 2.5 cala oraz śrubka do slotu M.2 nie jest dołączona do zestawu.
- Złącze M.2 SSD może różnić się od portu M.2 na płycie głównej. Sprawdź zgodność specyfikacji dysku i płyty głównej przed instalacją.

ไทย

- สำหรับวิธีการติดตั้ง SSD โปรดศึกษาคู่มือบนบอร์ดหรือคู่มืออุปกรณ์ PC ของคุณ
- ถาดใส่ SSD ขนาด 2.5 นิ้ว และน็อตยึด M.2 ไม่ได้อยู่ภายในผลิตภัณฑ์
- ประเภทของช่องต่อ M.2 SSD จะขึ้นอยู่กับเมนบอร์ดของคุณ
โปรดตรวจสอบข้อมูล SSD บนเมนบอร์ดของคุณก่อนการติดตั้ง

Tiếng Việt

- Để biết thêm thông tin về hướng dẫn cài đặt, vui lòng tham khảo hướng dẫn cài đặt cho bo mạch chủ hoặc hướng dẫn nâng cấp cho PC của bạn.
- Giá đỡ SSD 2.5 inch và vít M.2 không được bao gồm trong gói này.
- Loại đầu nối SSD M.2 có thể khác nhau tùy thuộc vào giao diện trên bo mạch chủ. Vui lòng kiểm tra các thông số kỹ thuật của bo mạch chủ trước khi lắp đặt.

Bahasa Indonesia

- Untuk informasi lebih lanjut tentang instruksi instalasi, silakan merujuk ke panduan instalasi untuk motherboard Anda atau panduan upgrade untuk PC Anda.
- Braket SSD 2.5 inci dan sekrup M.2 tidak termasuk dalam paket ini.
- Jenis konektor M.2 SSD dapat bervariasi tergantung pada interface pada motherboard. Silakan periksa spesifikasi motherboard Anda sebelum pemasangan.

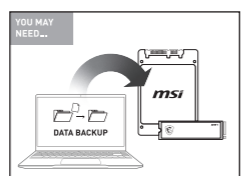
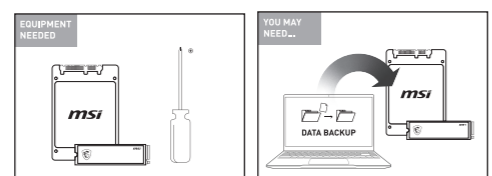
Türkçe

- Kurulum yönergeleri hakkında daha fazla bilgi için, lütfen anakartınızın kitapçığına veya bilgisayarınızın yükseltme kılavuzuna bakınız.
- 2.5 inç SSD braket ve M.2 vidaları paket içeriğine dahil değildir.
- M.2 SSD bağlantı tipi, anakart üzerindeki arayüze bağlı olarak değişiklik gösterebilir. Lütfen kurulumdan önce anakartınızın özelliklerini kontrol ediniz.

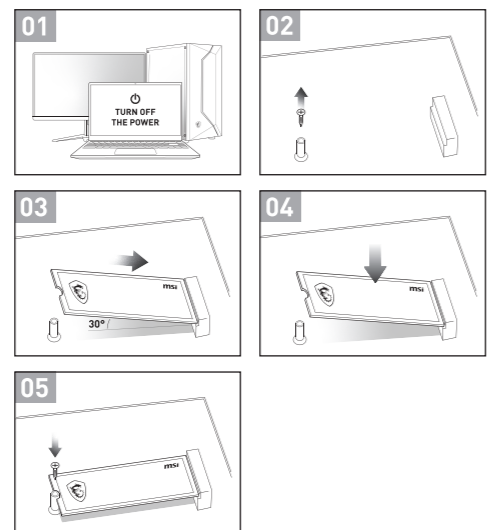
العربية

- لمزيد من المعلومات حول كيفية التثبيت، يرجى الرجوع إلى دليل التثبيت الخاص بالوحة الأم أو دليل الترقية لجهاز الكمبيوتر الخاص بك.
- لا تتضمن هذه الحزمة دعامة SSD بحجم 2.5 بوصة أو مسامير وحدة M.2 أيضاً.
- قد يختلف نوع موصل M.2 SSD تبعاً لتوافقة الموجودة على الوحة الأم لذلك يرجى التحقق من مواصفات الوحة الأم قبل التثبيت.

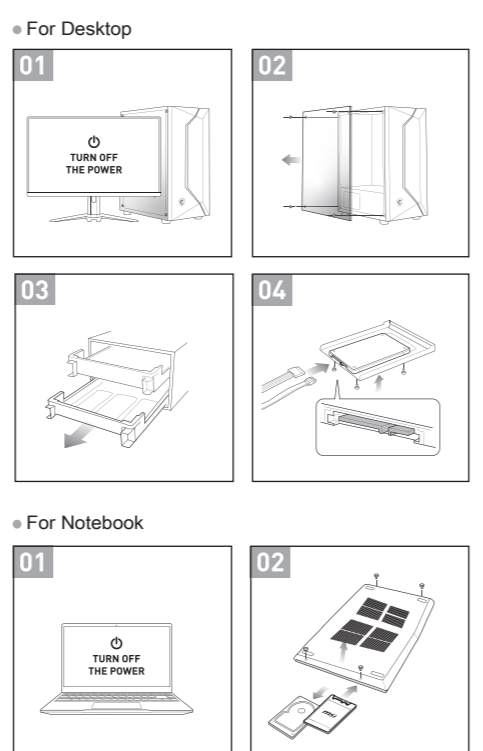
Before Installation



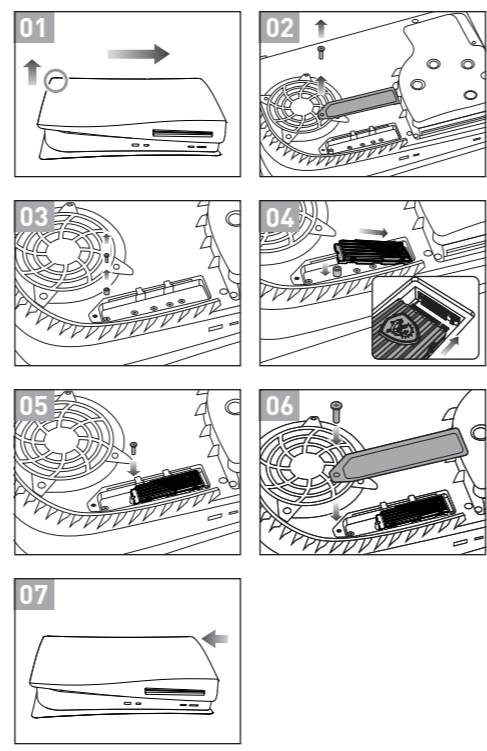
M.2 SSD Installation



2.5" SSD Installation



M.2 SSD Installation for PS5 Console



Regulatory Compliance

限制物質含有情況標示聲明書
Declaration of the Presence Condition of the Restricted Substances Marking

Table with columns: Equipment name, Type, Restricted substances, Lead, Mercury, Cadmium, Hexavalent chromium, Polybrominated biphenyls, Polybrominated diphenyl ethers.

产品中有毒有害物质或元素的名称及含量

Table with columns: Component Name, Restricted substances, Pb, Hg, Cd, Cr(VI), PBB, PBDE.

CE MANUFACTURER'S DECLARATION FOR CE CERTIFICATION
Hereby, MSI Inc. declares that the product above is in compliance with Directive 2014/30/EU, 2011/65/EU.
EU Contact Information: MSI-Europe Eindhoven 5706 5692 ER SO

FCC FEDERAL COMMUNICATION COMMISSION (FCC)
This device complies with Part 15 of the FCC Rules.
Operation is subject to the following two conditions:
(1) This device may not cause harmful interference, and
(2) This device must accept any interference received, including interference that may cause undesired operation.
Innovation, Science and Economic Development Canada
ICES-003 Compliance Label
CAN ICES-3 (B)/NMB-3(B)



Waste Electrical and Electronic Equipment (WEEE) disposal symbol and text: Correct Disposal of This Product (Waste Electrical and Electronic Equipment) (Applicable in countries with separate collection systems)

This marking on the product, accessories or literature indicates that the product and its electronic accessories (e.g. charger, headset, USB cable) should not be disposed of with other household waste at the end of their working life. To prevent possible harm to the environment or human health from uncontrolled waste disposal, please separate these items from other types of waste and recycle them responsibly to promote the sustainable reuse of material resources.
Household users should contact either the retailer where they purchased this product, or their local government office, for details of where and how they can take these items for environmentally safe recycling.
Business users should contact their supplier and check the terms and conditions of the purchase contract. This product and its electronic accessories should not be mixed with other commercial wastes for disposal.

msi Micro-Star INT'L CO., LTD.
No.69, Lide St., Zhonghe Dist., New Taipei City 235, Taiwan
tel: +886-2-3234-5599 fax: +886-2-3234-5488
www.msi.com