

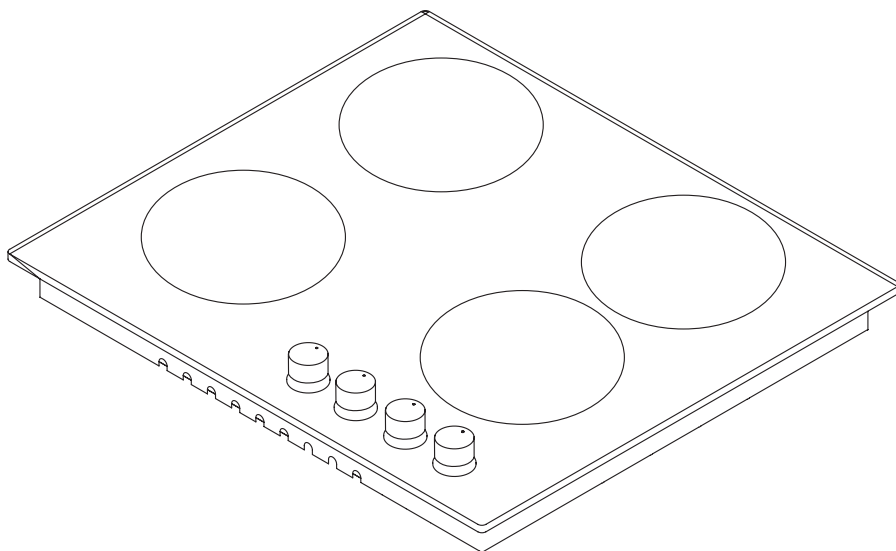


simfer

GAZ AND ELECTRIC BUILT-IN COOKTOP

**ВСТРАИВАЕМЫЕ ГАЗОВЫЕ И КОМБИНИРОВАННЫЕ
ВАРОЧНЫЕ ПОВЕРХНОСТИ**

ГАЗДЫҚ ПІСІРУ БЕТТЕРІ



USER MANUAL

**РУКОВОДСТВО ПО ЭКСПЛУАТАЦИИ
ПАЙДАЛАНУШЫҒА НҰСҚАУЛЫҚ**



Dear User,

Our objective is to make this product provide you with the best output which is manufactured in our modern facilities in a careful working environment, in compliance with total quality concept.

Therefore, we suggest you to read the user manual carefully before using the product and, keep it permanently at your disposal.

Note: This user manual is prepared for more than one model. Some of the features specified in the Manual may not be available in your appliance.

All our appliances are only for domestic use, not for commercial use.

Products marked with (*) are optional.

“Conforms with the WEEE Regulations.”

Contents

Important warnings.....	4
Electrical connection.....	13
Gas connection.....	14
Introduction of the appliance.....	17
Technical features.....	18
Installation of cooktop.....	20
Counter cutting sizes.....	23
Control panel.....	24
Usage of your cooktop.....	25
Maintenance and cleaning.....	28
Troubleshooting.....	29
Handling rules.....	30
Environmentally-friendly disposal.....	30
Package information.....	30

IMPORTANT WARNINGS

1. Installation and repair should always be performed by **“AUTHORIZED SERVICE”**. Manufacturer shall not be held responsible for operations performed by unauthorized persons.
2. Please read this operating instructions carefully. Only by this way you can use the appliance safely and in a correct manner.
3. The cooker should be used according to operating instructions.
4. Keep children below the age of 8 and pets away when operating.
5. **WARNING: Fire hazard; do not store the materials on the cooking surface.**
6. **WARNING: The appliance and its accessible parts are hot during operation.**
7. Setting conditions of this device are specified on the label. (Or on the data plate)
8. The accessible parts may be hot when the grill is used. Small children should be kept away.
9. **WARNING: This appliance is intended for cooking. It should not be used for other purposes like heating a room.**
10. To clean the appliance, do not use steam cleaners.
11. NEVER try to put out the fire with water. Only shut down the device circuit and then cover the flame with a cover or a fire blanket.

12. Children under 8 years of age should be kept away, if they cannot be monitored continuously.

13. Touching the heating elements should be avoided.

14. CAUTION: Cooking process shall be supervised. Cooking process shall always be supervised.

15. The appliance is not suitable for use with an external timer or a separate remote control system.

16. This device can be used by children over 8 years of age, people with physical, hearing or mental challenges or people with lack of experience or knowledge; as long as control is ensured or information is provided regarding the dangers.

17. This device has been designed for household use only.

18. Children must not play with the appliance. Cleaning or user maintenance of the appliance shall not be performed by children unless they are older than 8 years and supervised by adults.

19. Keep the appliance and its power cord away from children less than 8 years old.

20. Put curtains, tulle, paper or any flammable (ignitable) material away from the appliance before starting to use the appliance. Do not put ignitable or flammable materials on or in the appliance.

21. Keep the ventilation channels open.

22. Do not heat closed cans and glass jars. The pressure may lead jars to explode.

23. Do not use the product in states like medicated and/or under influence of alcohol which may affect your ability of judgement.

24. After each use, check if the unit is turned off.

25. Be careful when using alcohol in your foods. Alcohol will evaporate at high temperatures and may catch fire to cause a fire if it comes in contact with hot surfaces.

26. If the appliance is faulty or has a visible damage, do not operate the appliance.

27. Do not put objects that children may reach on the appliance.

28. The packaging materials are dangerous for children. Keep packaging materials away from the reach of children.

29. Cooker supply can be disconnected during any construction work at home. After completing the work, re-connecting the cooker shall be done by authorized service.

30. Do not place metal utensils such as knife, fork, spoon on the surface of the appliance, since they will get hot.

31. To prevent overheating, the appliance should not be installed behind of a decorative cover.

32. Turn off the appliance before removing the safeguards. After cleaning, install the safeguards according to instructions.

33. Cable fixing point shall be protected.

34. CAUTION: If the glass of the stove is broken, turn off any heating element immediately and disconnect the appliance from power source, do not touch the surface of the appliance and do not use the appliance.

35. User should not handle the cooker by himself.

36. Use shall be careful when cleaning gas burners. It may cause personal injuries.

37. Since the hob is hot during cooking or right after cooking, scalding may occur due to extreme temperature and steam.

38. When not turning of the cooker during cooking, user can touch hot surfaces causing burns.

39. If heavier loads are places on the cooker, these loads can trip over. It may cause personal injuries.

40. Allow disconnection of the appliance after installation, by accessible plug or a switch in the fixed wiring, unless.

Electrical Safety

1. Plug the appliance in a grounded socket protected by a fuse conforming to the values specified in the technical specifications chart.
2. Have an authorized electrician set grounding equipment. Our company shall not be responsible for the damages that shall be incurred due to using the product without grounding according to local regulations.
3. **WARNING: If the surface is cracked, turn off the appliance to avoid risk of electric shock.**
4. Never wash the appliance by spraying or pouring water on it. There is a risk of electrocution.
5. Do not touch the plug with wet hands. Do not pull the cord to plug off, always hold the plug.
6. Unplug the unit during installation, maintenance, cleaning and repair.
7. Make sure the plug is inserted firmly into wall socket to avoid sparks.
8. If the power supply cord (the cord with plug) is damaged, this cord shall be replaced by the manufacturer or its service agent or an equally qualified personnel to prevent a hazardous situation.
9. Do not use cut or damaged cords or extension cords other than the original cord.
10. Do not use steam cleaners for cleaning the appliance, otherwise electric shock may occur.

11. Make sure there is no liquid or humidity in the outlet where the product plug is installed.

12. An omnipolar switch capable to disconnect power supply is required for installation. Disconnection from power supply shall be provided with a switch or an integrated fuse installed on fixed power supply according to building code.

13. The power supply cord (the cord with plug) shall not contact the hot parts of the appliance.

14. Unplug the unit during installation, maintenance, cleaning and repair.

15. Appliance is equipped with a **type “Y”** cord cable.

16. The circuit breaker switches of the cooker shall be placed so that end user can reach them when the cooker is installed.

17. Fixed connections shall be connected to a power supply enabling omnipolar disconnection. For appliances with over voltage category below III, disconnection device shall be connected to fixed power supply according to wiring code.

18. Do not remove ignition switches from the appliance. Otherwise, live electric cables can be accessed. It may cause an electric shock.

Gas Safety

1. This appliance is not connected to burning products evacuation apparatus. This appliance must be connected and installed according to the installation regulations in force. Conditions regarding ventilation must be considered.

2. When a gas cooking appliance is used; humidity, heat and burning products are generated in the room. First of all, make sure the kitchen is well ventilated when operating the appliance and maintain natural ventilation openings or install a mechanical ventilation equipment.

3. After using the appliance heavily for an extended period of time, additional ventilation may be required. For example open a window or adjust a higher speed for mechanical ventilation, if any.

4. This appliance must be used only in well ventilated locations in accordance with the regulations in force. Please read the manual before installing or using this product.

5. Before positioning the appliance, make sure local network conditions (gas type and gas pressure) meets appliance requirements.

6. The mechanism cannot be run for longer than 15 seconds. If the burner is not on after 15 seconds, stop the mechanism and wait for at least one minute before trying to ignite the burner again.

7. All kinds of operations to be performed on gas installation must be performed by authorized and competent people.

8. This appliance is adjusted for natural gas (NG). If you have to use your product with a different gas type, you have to apply to authorized service for the conversion.

9. For proper operation, hood, gas pipe and clamp should be replaced periodically according to manufacturer recommendations and when required.

10. Gas should burn well in gas products. Well burning gas can be understood from blue flame and continuous burning. If gas does not burn sufficiently, carbon monoxide (CO) can be generated. Carbon monoxide is a colourless, odourless and very toxic gas; even small amounts have lethal effect.

11. Ask your local gas supplies about the phone numbers for emergencies related to gas and the measures to be taken upon gas odour is detected.

What To Do When Gas Odour Is Detected

1. Do not use naked flame, and do not smoke.
2. Do not operate any electrical switch.
(For example: lamp switch or doorbell)
3. Do not use telephone or mobile phone.
4. Open the doors and windows.
5. Close all valves on the appliances that utilize gas and the gas counters.
6. Check all hoses and their connections against leaks. If you still smell gas, leave the house and warn your neighbours.
7. Call fire brigade from a telephone outside the home.
8. Do not enter into the house until authorities clarify it is safe.

Intended Use

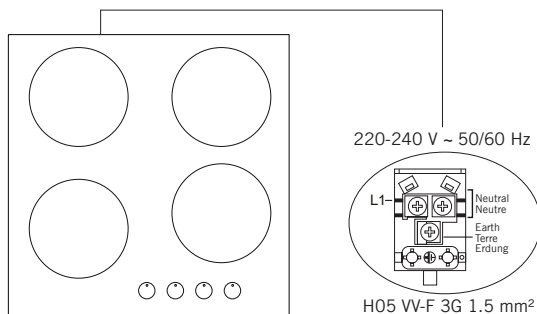
1. This product is designed for home use. Commercial use of the appliance is not permitted.
2. This appliance may only be used for cooking purposes. It shall not be used for other purposes like heating a room.
3. The manufacturer assumes no responsibility for any damage due to misuse or mishandling.
4. Operational life of the product you have purchased is 10 years. This is the period for which the spare parts required for the operation of this product as defined is provided by the manufacturer.

Electrical Connection

1. Setting conditions of this appliance is indicated in tag or data plate.
2. Your appliance should be plugged in a fuse appropriate for electric power. If necessary, it is recommended that installation is done by authorized service.
3. Your appliance is configured in accordance with electrical supply of 220-240V 50/60Hz.
4. If main electrical network is different from these values, contact with your authorized service.
5. Electrical connections of your appliance should only be made to the fuses having suitably wired grounding (grounded) system. If no convenient fuse is available in the place where your appliance is to be installed, contact with authorized service immediately. Manufacturing firm is not responsible definitely for the damages that fuses whose grounding is not made and connected to the appliance can cause.
6. Plug of the appliance should be close to be accessed easily to the fuse whose grounding is made without use of extension cord.
7. Do not allow contacting the power cable of your appliance with hot regions. Similarly, keep away it from sharp edges and corners.
8. If feeder cord is damaged, this cord should be replaced either by manufacturer or its service agency or same degree qualified personnel in order to hinder a dangerous situation.
9. Wrong electrical connection may give damage to the appliance. In this case, your appliance will remain out of guarantee scope. Electrical connection of your appliance should be done by authorized service.

Electrical connection scheme

Get electrical connection of your appliance done to authorized person in line with the following scheme.



Gas Connection

WARNING: Before starting any work related with gas installation, turn off gas supply. Risk of explosion.

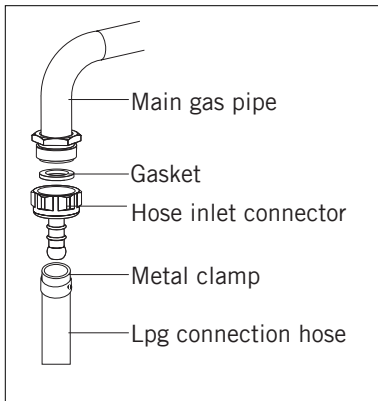
1. Connect your appliance to gas cock from the shortest way and in a manner to prevent any leakage. For safety, the hose used should be maximum 125 cm and minimum 40 cm.

2. While making gas leakage control; never use lighter, match, glowing cigarette or similar inflammable matter.

3. Apply soap bubble on connection point. If any leak/leakage exists, foaming will occur on soaped region.

4. If the cooktop is to be mounted on a cabinet or openable drawer, a heat protection panel having 15 mm minimum opening should be mounted under the cooktop.

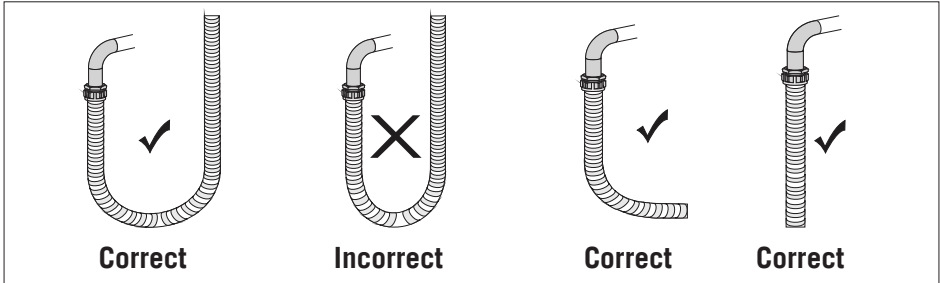
For LPG connection;



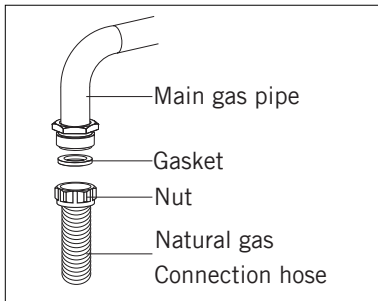
For LPG (cylinder) connection, affix metal clamp on the hose coming from LPG cylinder. Affix an edge of the hose on hose inlet connector behind the appliance by pushing to end through heating the hose in boiled water. Afterward, bring the clamp towards end section of the hose and tighten it with screwdriver. The gasket and hose inlet connector required for connection is as the picture shown below.

NOTE: The regulator to be affixed on LPG cylinder should have 300 mmSS feature.

WARNING: Gas hose and electric connection of the appliance should not pass next to hot areas such as back of the appliance. Gas hose should be connected by making wide angle turns against breaking possibility. Movement of appliance whose gas connection is made may cause gas leakage.



For natural gas connection;



WARNING: Natural gas connection should be done by authorized service.

For natural gas connection, place gasket in the nut at the edge of natural gas connection hose. To install the hose on main gas pipe, turn the nut. Complete the connection by making gas leakage control.

Transformation from natural gas to LPG and from LPG to natural gas

1. Turn off gas and electricity of the cooktop. If your cooktop is hot, wait for cooling down.
2. For injector change, use a screwdriver whose edge is as the figure 1.
3. As seen in figure 2, demount burner lid and burner of the cooktop and ensure visibility of injector.
4. Remove injector by turning as shown in figure 3 with screwdriver and replace it with a new one.

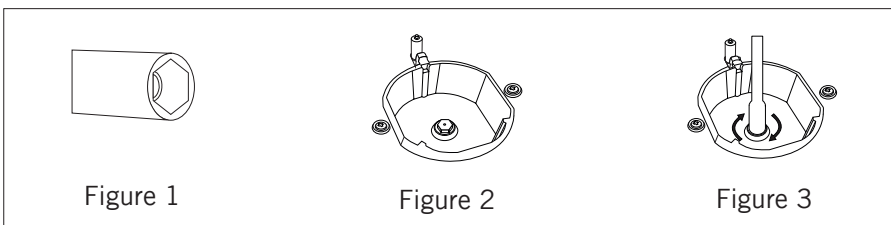


Figure 1

Figure 2

Figure 3

5. After that, detach control switches of the cooktop. Make setting by turning the screw in the middle of gas cocks with a small screwdriver in the manner shown in the following picture. To adjust flow rate screw, use a screwdriver having suitable dimension. For LPG, turn the screw clockwise. For natural gas, turn the screw one time counter clockwise. At low position, length of normal flame should be 6-7 mm. For the last control, check out whether flame is open or closed.

Setting of your appliance may differ according to the type of gas cock used.

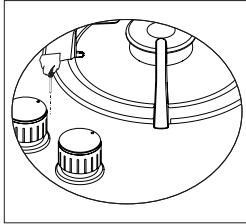


Figure 4

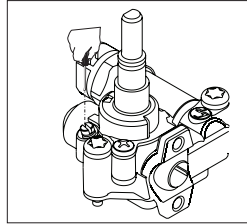


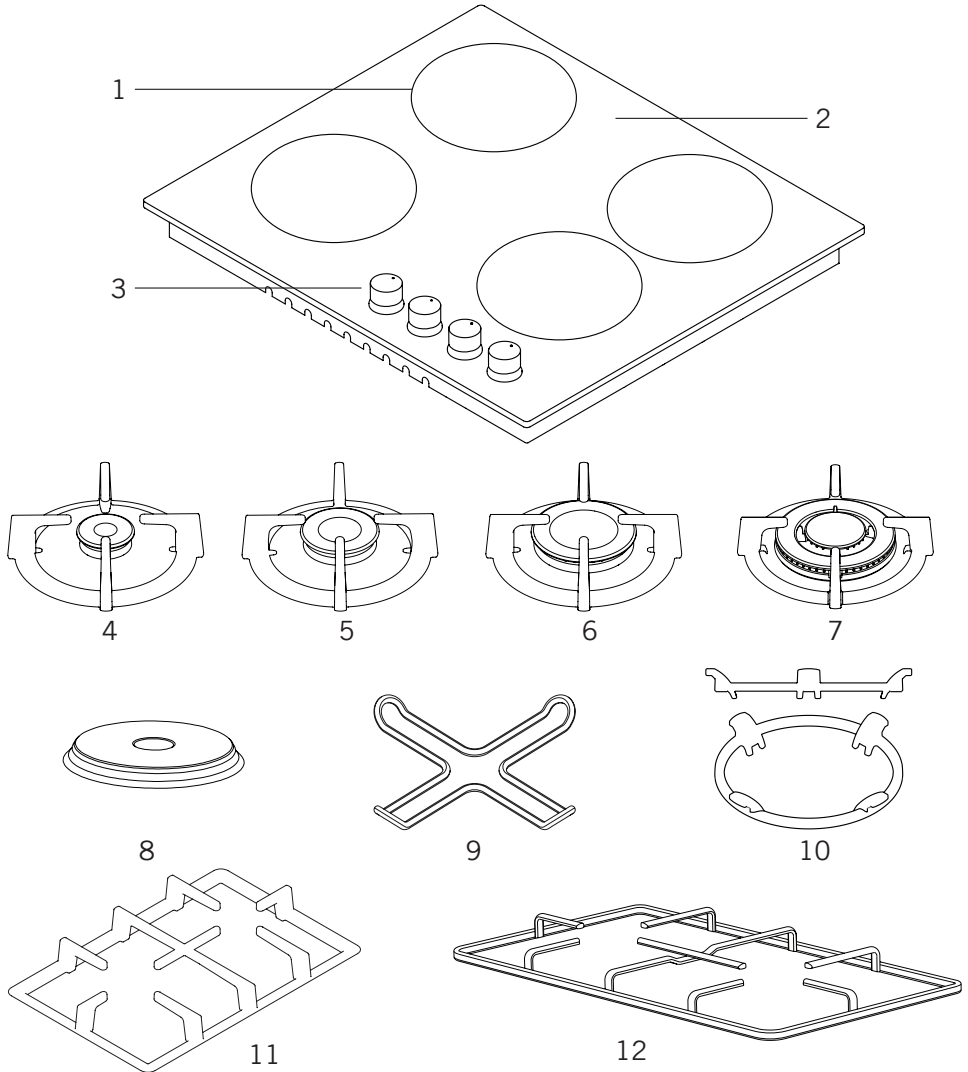
Figure 5

Ventilation Of Room

The air needed for burning is received from room air and the gases emitted are given directly in room. For safe operation of your product, good room ventilation is a precondition. If no window or room to be utilized for room ventilation is available, additional ventilation should be installed. However, room has a door opening outside, it is no needed to vent holes.

Room size	Ventilating opening
Smaller than 5 m ³	min. 100 cm ²
Between 5 m ³ - 10 m ³	min. 50 cm ²
Bigger than 10 m ³	no need
In basement or cellar	min. 65 cm ²

INTRODUCTION OF THE APPLIANCE



1. Burner positions
2. Glass or metal surface
3. Control buttons
4. Small burner
5. Medium burner
6. Large burner

7. Wok burner *
8. Hotplate *
9. Coffee adaptor *
10. Wok burner adaptor *
11. Cast grill
12. Enamel grill

Technical Features

You can operate electric cooktops by turning the button on control panel you want to use to the level you desire. Cooktop powers as per levels are given in the following table.

Specifications	Level 1	Level 2	Level 3	Level 4	Level 5	Level 6
Ø80 mm hotplate	200 W	250 W	450 W	---	---	---
Ø145 mm hotplate	250 W	750 W	1000 W	---	---	---
Ø180 mm hotplate	500 W	750 W	1500 W	---	---	---
Ø145 mm rapid hotplate	500 W	1000 W	1500 W	---	---	---
Ø180 mm rapid hotplate	850 W	1150 W	2000 W	---	---	---
Ø145 mm hotplate	95 W	155 W	250 W	400 W	750 W	1000 W
Ø180 mm hotplate	115 W	175 W	250 W	600 W	850 W	1500 W
Ø145 mm rapid hotplate	135 W	165 W	250 W	500 W	750 W	1500 W
Ø180 mm rapid hotplate	175 W	220 W	300 W	850 W	1150 W	2000 W
Supply voltage	220-240 V 50/60 Hz.					

Injector, gas flow and power table

Burner Specifications	G20,20 mbar G25,25 mbar			G20,25 mbar		G20,13 mbar	
	Gas natural			Gas natural		Gas natural	
Wok burner (3,5)	Injector	1,40	mm	1,28	mm	1,60	mm
	Gas flow	0,333	m ³ /h	0,333	m ³ /h	0,333	m ³ /h
	Power	3,50	kW	3,50	kW	3,50	kW
Wok burner (2,5)	Injector	1,15	mm	1,06	mm	1,35	mm
	Gas flow	0,243	m ³ /h	0,243	m ³ /h	0,243	m ³ /h
	Power	2,50	kW	2,50	kW	2,50	kW
Rapid burner	Injector	1,15	mm	1,10	mm	1,45	mm
	Gas flow	0,276	m ³ /h	0,276	m ³ /h	0,276	m ³ /h
	Power	2,90	kW	2,90	kW	2,90	kW
Semi-Rapid burner	Injector	0,97	mm	0,92	mm	1,10	mm
	Gas flow	0,162	m ³ /h	0,162	m ³ /h	0,162	m ³ /h
	Power	1,70	kW	1,70	kW	1,70	kW
Auxiliary burner	Injector	0,72	mm	0,70	mm	0,85	mm
	Gas flow	0,96	m ³ /h	0,96	m ³ /h	0,96	m ³ /h
	Power	0,95	kW	0,95	kW	0,95	kW

Burner Specifications	G30,28-30 mbar G31,37 mbar			G30,50 mbar		G30,37 mbar	
	LPG			LPG		LPG	
Wok burner (3,5)	Injector	0,96	mm	0,76	mm	0,96	mm
	Gas flow	254	g/h	254	g/h	254	g/h
	Power	3,50	kW	3,50	kW	3,50	kW
Wok burner (2,5)	Injector	0,82	mm	0,73	mm	0,78	mm
	Gas flow	182	g/h	182	g/h	182	g/h
	Power	2,50	kW	2,50	kW	2,50	kW
Rapid burner	Injector	0,85	mm	0,75	mm	0,85	mm
	Gas flow	211	g/h	211	g/h	211	g/h
	Power	2,90	kW	2,90	kW	2,90	kW
Semi-Rapid burner	Injector	0,65	mm	0,60	mm	0,65	mm
	Gas flow	124	g/h	124	g/h	124	g/h
	Power	1,70	kW	1,70	kW	1,70	kW
Auxiliary burner	Injector	0,50	mm	0,43	mm	0,50	mm
	Gas flow	69	g/h	69	g/h	69	g/h
	Power	0,95	kW	0,95	kW	0,95	kW

WARNING: Diameter values written on the injector are specified without a comma. For example; The diameter of 1,70 mm is specified as 170 on the injector.

WARNING: For the modification to be done by authorized service, this table should be considered. Manufacturer may not be held responsible for any problems rising because of any faulty modification.

WARNING: In order to increase the product quality, the technical specifications may be changed without prior notice.

WARNING: The values provided with the appliance or its accompanying documents are laboratory readings in accordance with the respective standards. These values may differ depending on the use and ambient conditions.

INSTALLATION OF COOKTOP

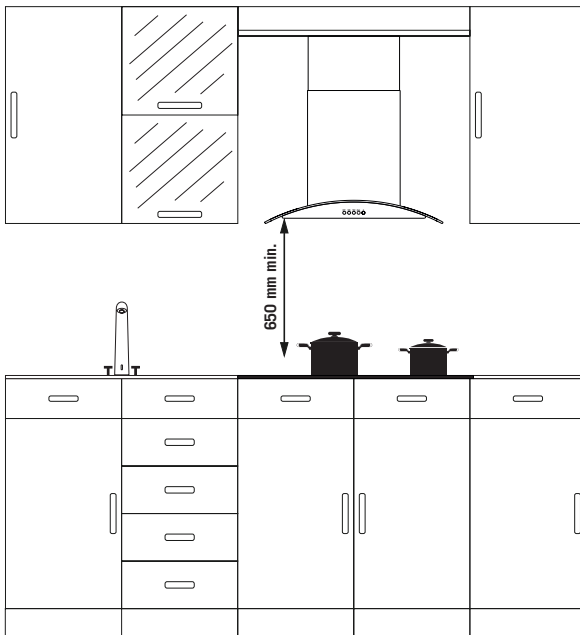
Check if the electrical installation is proper to bring the appliance in operating condition. If electricity installation is not suitable, call an electrician and plumber to arrange the utilities as necessary. Manufacturer shall not be held responsible for damages caused by operations performed by unauthorized persons.

WARNING: It is customer's responsibility to prepare the location the product shall be placed on and also to have the electrical installation prepared.

WARNING: The rules in local standards about electrical installations shall be followed during product installation.

WARNING: Check for any damage on the appliance before installing it. Do not have the product installed if it is damaged. Damaged products cause a risk for your safety.

Correct Place For Installation



Product is designed in accordance with the kitchen counters supplied from market. A safe distance should be left between the product and kitchen walls and furniture. If hood/aspirator will be installed over your appliance, obey to the recommendation of hood / aspirator manufacturer for assembly height. (min. 65 cm)

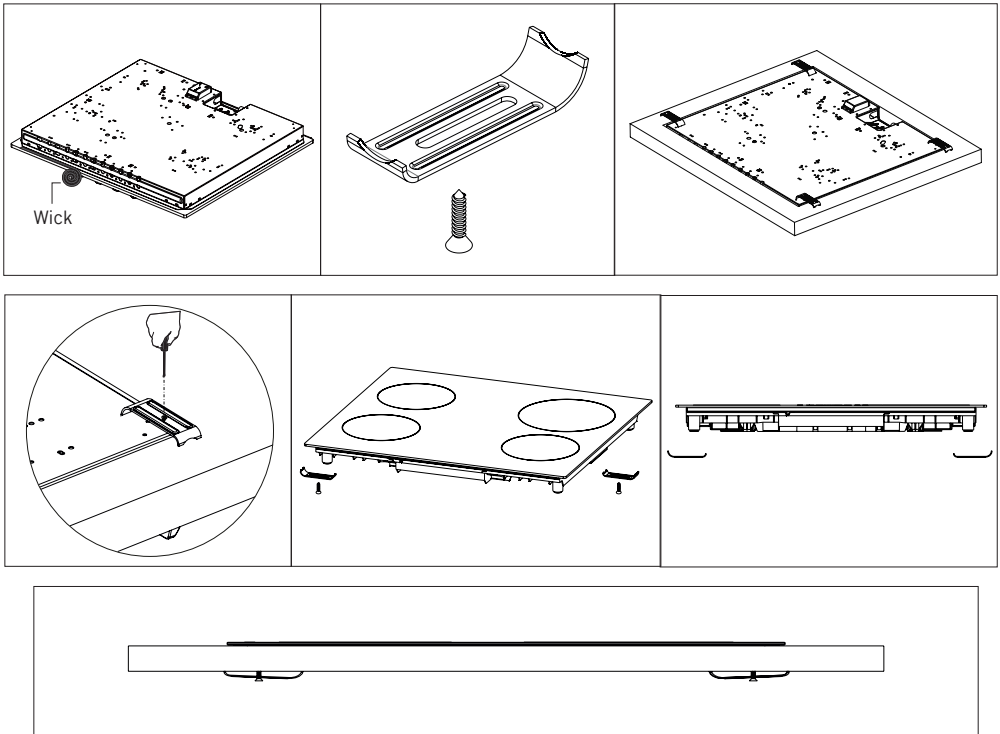
The gap that cooktop is to be placed on the counter should be cut in line with cooktop installation dimensions.

For installation of the product, the rules specified in local standards related to electricity should be complied.

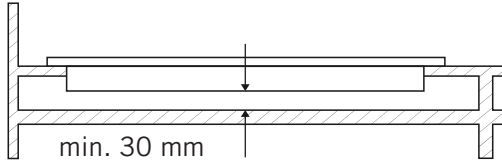
Installation

1. Detach the burners, burner hoods and grills from the product.
2. Turn the cooktop down and place on smooth ground.
3. In order to prevent entrance of foreign substances and liquids between cooktop and counter, apply the paste given in package to the sides of lower guard of counter. For corners, curl paste and increase curls till filling corner gaps.
4. Turn cooktop again and align with and place on counter.
5. Fasten up your cooktop on counter by using the clamp and screws supplied.

Installation Diagram



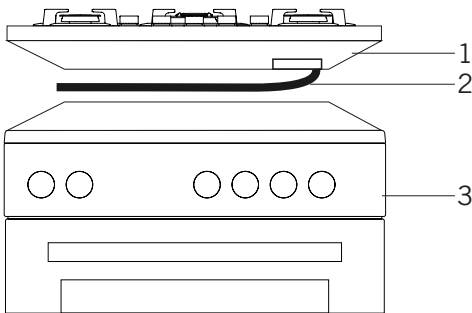
6. When product is mounted on a drawer, if it is possible to touch lower side of product, this section should be separated with a wooden shelf.



7. While mounting cooktop on a closet, as shown in the figure above, in order to separate between closet and cooktop, a shelf should be mounted. If it is mounted on a built-in oven, there is no need to do that.

8. If your cooktop will be mounted next to right or left wall, the minimum distance between wall and cooktop should be 50 mm.

If Built-In Oven Is Placed Under Cooktop;

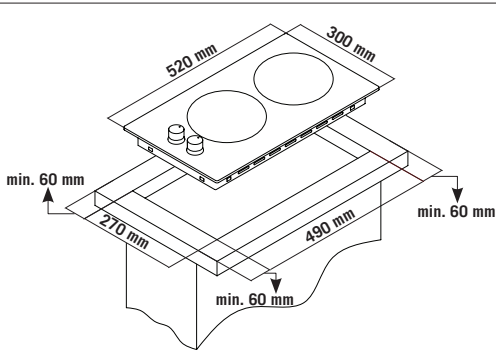


1. Cooktop
2. Hose
3. Oven

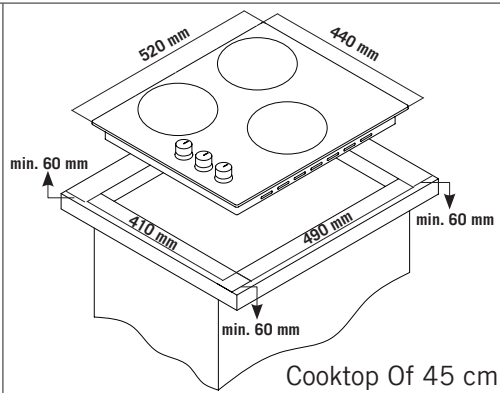
Gas pipe should be affixed in a way not to touch the oven below, sharp edges and corners, not to be pulled in a manner to be twisted and strained. Make gas connection from right part of the cooktop, fasten the hose by use of clamp.

Counter Cut-Off Dimensions

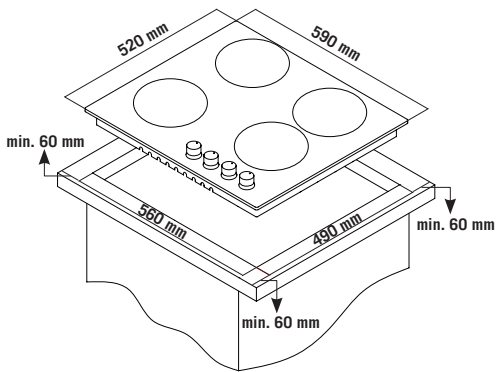
Pay attention to the drawings and dimensions given below while making cooktop installation and adjusting counter cutting sizes.



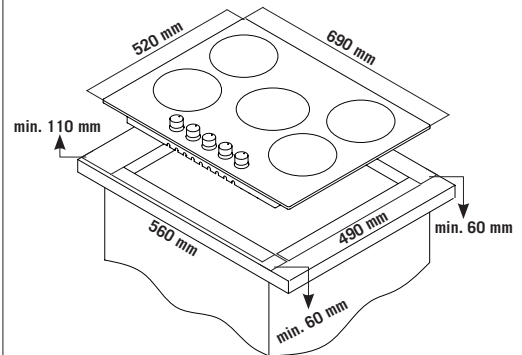
Cooktop Of 30 cm



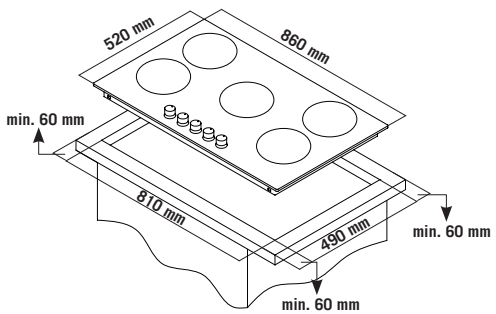
Cooktop Of 45 cm



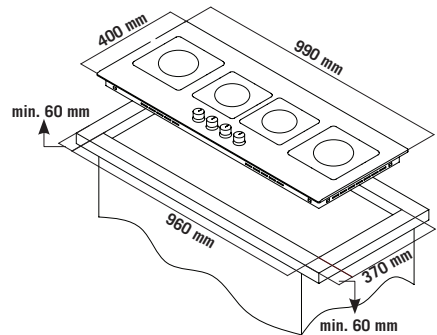
Cooktop Of 60 cm



Cooktop Of 70 cm



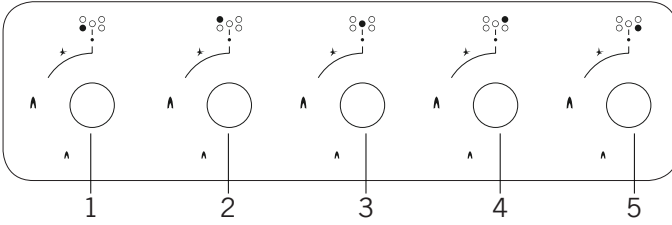
Cooktop Of 90 cm



Cooktop Of 100 cm

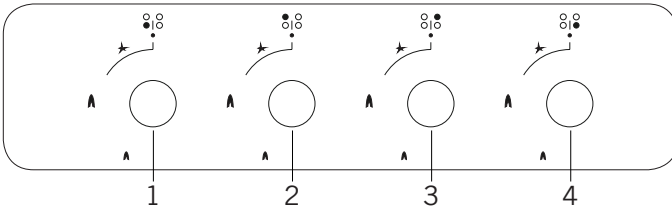
CONTROL PANEL

Cooktop Panel Visual Of 70-90 cm And 100 cm



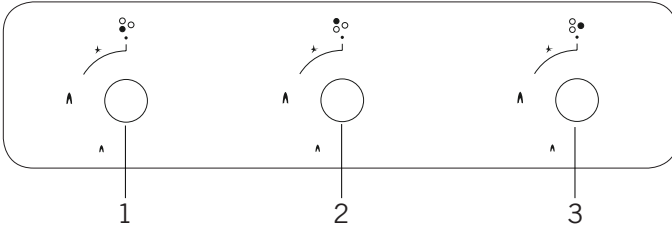
1. Front left burner
2. Rear left burner
3. Wok burner
4. Rear right burner
5. Front right burner

Cooktop Panel Visual Of 60 cm



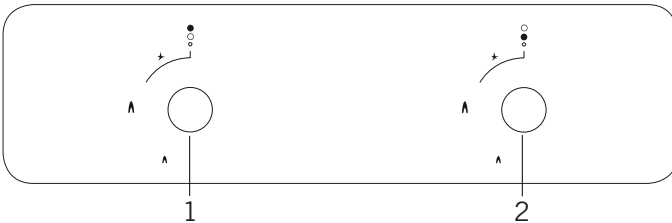
1. Front left burner
2. Rear left burner
3. Rear right burner
4. Front right burner

Cooktop Panel Visual Of 45 cm



1. Lower left burner
2. Upper left burner
3. Right burner

Cooktop Panel Visual Of 30 cm



1. Lower burner
2. Upper burner

WARNING: The control panels above is only for illustration purposes. Consider the control panel on your device.

USAGE OF YOUR COOKTOP

1. Before starting to use your cooktop, be sure burner hoods are at correct position. Correct placement of burner hoods are shown in the following figure.

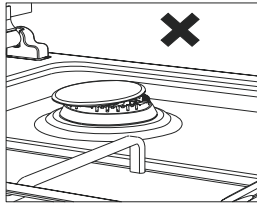


Figure 6

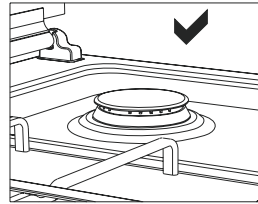
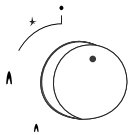


Figure 7

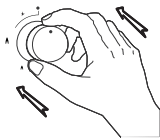
2. Gas cocks have a special locking mechanism. Therefore, to operate cooktop zone, press button by pushing ahead and while opening or closing the cock, hold down the button.

● Closed  Fully open  Half open

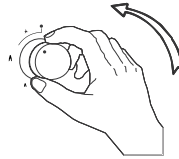
3. For automatic igniting models, igniting is realized via electricity. Therefore, before operating appliance, be sure that appliance has electric connection. Igniting for these models is as follows.



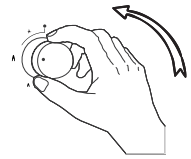
Cooktop cock is at closed position.



To ignite cooktop, firstly press the button towards ahead.



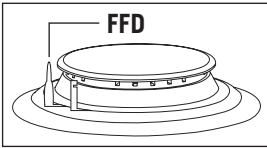
While holding down the button, lighter steps in and starts to ignition.



By turning the button left while holding down, you can provide ignition at flame length you want.

4. Pay attention that cooktop grills are placed on cooktop table completely. In case of failure about this matter can cause pouring of the materials to be put on that.

5. For the models having gas putting out safety, following realizing ignition procedure according to the guidelines above, wait for 5-10 seconds by pushing button ahead without keeping your hands off. Safety mechanism will step in this duration and ensures operation of the cooktop. With regard to gas putting out appliance, gas cock cuts the gas going to cooktop zone in case of putting out of cooktop flame due to any reason.



6. Flame cut-off safety device (FFD) *; operates instantly when safety mechanism activates due to overflowed liquid over upper hobs.

7. While using coffee pot apparatus supplied along with the cooktop, be sure that feet of apparatus are placed on cooktop grill exactly and remain on cooktop zone in centred way. Use the apparatus only on small burner.

8. While utilizing gas cooktops, use saucepan, placed on cooktop surface as far as possible. Thanks to that, you can save energy. In the following table, cooking pot diameters recommended to be used as per burners are given. Characteristic of Wok cooktop zone is to cook quickly.

9. Ensure that the grates are fully seated on the cooktop plate. If the grate is not properly seated, this may cause spillage of materials placed on it.

10. Place the pots and pans so that their handles are not placed above the hobs to prevent heating of the handles.

11. Place suitable amount of food to the pots and pans. Thus, you may prevent overflowing of meals and avoid unnecessary cleaning.

12. The size of the container and the gas flame shall match each other. Set gas flames so that they do not extend further than the base of the container.

13. Do not use containers that are unstable and that may be easily tipped over on the cooktop.

14. Do not put empty pots and pans on the hobs with their flames on.

15. Always turn off the hobs after each use.

16. Do not put containers that may be affected by heat on the product.

17. Do not operate the hobs without any pots and pans placed on them.

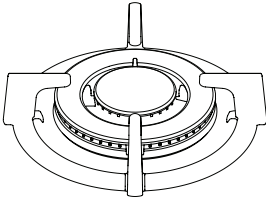
18. Do not place the lids of the pots and pans on the hobs.

19. When you want to put the pot on another hob, take the pot up and place it again instead of sliding it.

20. Keep the lid of container you use for heating oil open.

21. Do not put oil with a volume more than one third of the pan. Do not leave the oil unattended when the oil is being heated. Extremely hot oils may cause fire.

Wok Burner *



As it possesses double ring flame system, it gives homogenous heat distribution at the bottom of cooking pot at high temperature. It is ideal for short term and high temperature cooking. When you want to use regular cooking pot on wok burner, it is necessary that you remove wok cooking pot carrier from cooktop.

Pot Sizes

Recommended pot diameters to be used are provided in the following tables.

Glass hobs	30 cm hobs	45 cm hobs	60 cm hand control	60 cm control front	70 cm control front	90 cm control front
Small burner	12-18 cm	12-18 cm	12-18 cm	12-18 cm	12-18 cm	12-18 cm
Middle burner	---	18-20 cm	18-20 cm	18-20 cm	18-20 cm	18-22 cm
Big burner	18-24 cm	22-24 cm	22-24 cm	22-24 cm	22-24 cm	22-26 cm
Wok burner	24-26 cm	---	24-26 cm	24-26 cm	24-26 cm	26-30 cm

Metal hobs	30 cm hobs	45 cm hobs	60 cm hand control	60 cm control front	70 cm control front	90 cm control front
Small burner	12-18 cm	12-18 cm	12-18 cm	12-18 cm	12-18 cm	12-18 cm
Middle burner	---	18-20 cm	18-20 cm	18-20 cm	18-20 cm	18-22 cm
Big burner	18-22 cm	22-24 cm	22-26 cm	22-24 cm	22-24 cm	22-26 cm
Wok burner	24-26 cm	24-26 cm	24-26 cm	24-26 cm	24-26 cm	26-32 cm

WARNING: Cooking pot to be used with products should have minimum 120 mm diameter.



Splashes and overflow may cause damage to the cooktop surface and fire.



Do not use containers with convex or concave bases.



If the diameter of the pot is smaller than the diameter of the hob, this shall waste energy.



Use pots and pans with flat bases only.

MAINTENANCE AND CLEANING

Before starting to maintenance or cleaning, firstly unplug the plug supplying electricity to cooktop and turn down gas valve. If cooktop is hot, wait for cooling down.

1. For the purpose that your cooktop has long and economic life, regular cleaning and maintenance should be performed on your cooktop.
2. Do not clean your cooktop with scratching tools such as bristle brush, wire wool or knife. Do not use abrasive, scratching, acid materials or detergent.
3. Following mopping parts of your cooktop with soapy cloth, rinse it, later rinse well with a soft cloth.
4. Clean glass surfaces with special glass cleaning substances. As scratching of glass surfaces leads to breaking, while cleaning glass surfaces, do not use abrasive cleaners or sharp metal scrapers.
5. Do not clean your cooktop with steamy cleaners.
6. Clean channels and lids of cooktop zones with soapy water and clean gas channels with a brush.
7. In the course of cleaning your cooktop, never use flammable materials such as acid, thinner and gas.
8. Do not wash plastic and aluminium parts of your cooktop in dishwasher.
9. Clean vinegar, lemon, salt, coke and similar acid and alkaline containing substances poured on your cooktop immediately.
10. In time, cooktop buttons turns hard or never turn any more, in such circumstances, it may be necessary that buttons are changed. The change should only be done by authorized service.

TROUBLESHOOTING

You may solve the problems you may encounter with your product by checking the following points before calling the technical service.

Check Points

In case you experience a problem about the cooker, first check the table below and try out the suggestions.

Problem	Possible cause	Remedy
No Ignition.	No sparks.	Check power supply.
	Cooker cover is not fitted properly.	Fit the cover properly.
	Gas supply is closed.	Fully open gas supply.
Not Proper Ignition.	Gas supply not fully open.	Fully open gas supply.
	Cooker cover is not fitted properly.	Fit the cover properly.
	Ignition plug is clogged with foreign materials.	Wipe off foreign materials with a cloth.
	Hobs are wet.	Carefully dry the hobs.
	Flame spreader holes are clogged.	Clean the flame spreader.
Noise coming when burning or during ignition.	Cooker cover is not fitted properly.	Fit the cover properly.
Flame turns off during operation.	Flame observer device is clogged by foreign material.	Clean flame observer device.
	Overflow food turns off the flame.	Switch off the hob. Wait for one minute and ignite again.
	A strong air flow turns off the flame.	Please check related hob and check the cooking area for air flows, for example, from an open window. Wait for one minute and ignite again.
Yellow flame.	Flame spreader holes are clogged.	Clean the flame spreader.
	Different gas is being used.	Check the gas being used.
Unstable flame.	Cooker cover is not fitted properly.	Fit the cover properly.
Gas odour.	Hob spout left open.	Check if any hob spouts are left open.
	Leakage from connection of gas cylinder to cooker.	Make sure connections are leak-proof.
Lighter not operating.	Tips or body of ignition plugs are clogged.	Clean tips or body of ignition plugs of gas burners.
	Gas burner pipes are clogged.	Clean gas burner pipes.

HANDLING RULES

1. Carry out the movement and transportation in the original packaging.
2. Pay maximum attention to the appliance while loading/unloading and handling.
3. Make sure that the packaging is securely closed during handling and transportation.
4. Protect from external factors (such as humidity, water, etc.) that may damage the packaging.
5. Be careful not to damage the appliance due to bumps, crashes, drops, etc. while handling and transporting and not to break or deform it during operation.

ENVIRONMENTALLY-FRIENDLY DISPOSAL



Dispose of packaging in an environmentally-friendly manner.

This appliance is labelled in accordance with European Directive 2012/19/EU concerning used electrical and electronic appliances (waste electrical and electronic equipment - WEEE). The guideline determines the framework for the return and recycling of used appliances as applicable throughout to the EU.

PACKAGE INFORMATION

Packaging materials of the product are manufactured from recyclable materials in accordance with our National Environment Regulations. Do not dispose of the packaging materials together with the domestic or other wastes. Take them to the packaging material collection points designated by the local authorities.

УВАЖАЕМЫЙ ПОКУПАТЕЛЬ!

Благодарим Вас за то, что отдали предпочтение бытовой технике Simfer.

Simfer – это качество, надёжность, и внимательное отношение к потребностям покупателей. Надеемся, что Вам понравится продукция нашей компании.

Данное изделие произведено на современном оборудовании без нанесения вреда окружающей среде.

Соответствует требованиям положений Директивы ЕС об отходах электрического и электронного оборудования (WEEE).

ПРИМЕЧАНИЕ

Данное руководство по эксплуатации предназначено для нескольких моделей, наличие режимов и функций может отличаться. Все рисунки схематичны. Функции и комплектующие, обозначенные знаком «*», являются дополнительной опцией и могут отсутствовать в Вашем изделии.

Внимательно прочтите руководство, в нём даются важные указания по безопасной установке, эксплуатации и техобслуживанию. Позаботьтесь о сохранности руководства по эксплуатации для использования его в дальнейшем. При передаче данного устройства новому владельцу не забудьте передать все документы.

Содержание

Важные предупреждения.....	33
Электрическое подключение	46
Подключение к газовой магистрали.....	47
Описание прибора.....	50
Технические характеристики.....	51
Установка прибора	54
Габаритные размеры варочной панели	56
Панель управления	57
Эксплуатация варочной панели.....	58
Техническое обслуживание и чистка.....	61
Устранение неисправностей	62
Правила транспортировки	63
Экологически безопасная утилизация.....	64
Информация об упаковке.....	64

ВАЖНЫЕ ПРЕДУПРЕЖДЕНИЯ

- 1.** Установка и ремонт должны быть выполнены **АВТОРИЗОВАННЫМ СЕРВИСНЫМ ЦЕНТРОМ**
Производитель не несет ответственности за работы, осуществляемые несанкционированными лицами.
- 2.** Внимательно изучите данную инструкцию по эксплуатации. Только таким образом вы можете безопасно и правильно использовать прибор.
- 3.** Варочная поверхность должна использоваться в соответствии с правилами, указанными в инструкции по эксплуатации.
- 4.** Не позволяйте детям младше 8 лет, и домашним животным приближаться к прибору, когда он работает.
- 5. ПРЕДУПРЕЖДЕНИЕ: Пожароопасность! Не храните горючие материалы на варочной поверхности.**
- 6. ПРЕДУПРЕЖДЕНИЕ: Во время эксплуатации варочная панель и ее детали становятся горячими.**
- 7.** Условия эксплуатации данного прибора указаны на заводской этикетке.
- 8. ПРЕДУПРЕЖДЕНИЕ: Прибор предназначен для приготовления пищи. Его нельзя использовать для других целей, например для обогрева комнаты.**

9. Не используйте пароочистители для чистки прибора.

10. НИКОГДА не пытайтесь потушить огонь водой. Выключите питание прибора, а затем накройте пламя крышкой или пожарным одеялом.

11. Следует избегать прикосновения к нагревательным элементам.

12. ВНИМАНИЕ: Процесс приготовления пищи нельзя оставлять без присмотра.

13. Прибор не подходит для эксплуатации с внешним таймером или отдельной системой дистанционного управления.

14. Прибор может использоваться детьми старше 8 лет, людьми с ограниченными физическими, сенсорными или умственными возможностями, с недостатком опыта или знаний, если они находятся под присмотром, или они осведомлены об имеющихся опасностях.

15. Прибор разработан исключительно для использования в бытовых условиях.

16. Храните прибор и кабель питания в месте, недоступном для детей в возрасте младше 8 летю

17. Перед тем, как начать использовать прибор, уберите шторы, тюль, бумагу или любой воспламеняющийся материал подальше от него. Не помещайте воспламеняющиеся или легковоспламеняющиеся материалы на прибор.

18. Держите вентиляционные каналы открытыми.

19. Не нагревайте консервы и стеклянные банки. Давление может привести к взрыву банок.

20. Не используйте прибор в таких состояниях, которые могут повлиять на вашу умственную деятельность и координацию. Например под воздействием лекарств и/или алкоголя.

21. После каждого использования выключайте прибор.

22. Будьте осторожны при смешивании алкоголя с едой. Алкоголь испаряется при высоких температурах может вызвать пожар, если он соприкасается с горячими поверхностями.

23. Если прибор неисправен или имеет видимые повреждения, не используйте его.

24. Не размещайте предметы на приборе, которые могут быть доступными для детей.

25. Упаковка представляет опасность для детей. Храните упаковочные материалы в недоступном для детей месте.

26. Во время любых строительных работ дома подача газа к варочной поверхности должна быть прекращена. После завершения работ повторное подключение плиты должно выполняться специалистами авторизованных сервисных центров.

27. Не кладите металлические предметы, такие как нож, вилка, ложка на поверхность прибора, так как они становятся горячими.

28. Прибор нельзя устанавливать за декоративным покрытием во избежание перегрева.

29. Прежде чем чистить устройство отключите его, от электросети.

30. Места соединения кабеля должны быть защищены.

31. ВНИМАНИЕ: Если стекло плиты повреждено, немедленно выключите все нагревательные элементы и отсоедините прибор от источника питания, не прикасайтесь к поверхности прибора и не используйте его.

32. Пользователь не должен ремонтировать варочную панель самостоятельно.

33. Соблюдайте осторожность во время очистки газовых комфорок. Это может привести к травмам.

34. Поскольку во время приготовления, или сразу после него варочная панель горячая, имеется риск получить ожоги.

35. Будьте внимательны, находясь рядом с включенной варочной поверхностью. Несоблюдение правил безопасного пользования может привести к появлению ожогов.

36. Если на плите находятся тяжелые предметы, их необходимо убрать. Это может привести к травмам.

37. При подключении варочной панели должны выполняться требования газо и электробезопасности в соответствии с действующими нормативными актами.

38. Шнур питания не входит в комплект. Приобретайте шнур согласно параметрам эл.сети.

39. Для сохранения гарантии не удаляйте этикетку на обратной стороне изделия с указанием модели и серийного номера.

Электробезопасность

1. Подключите устройство в заземленную розетку, защищенную предохранителем, соответствующим значениям, приведенным в таблице технических характеристик.

2. Подключение к электросети и газовой магистрали должно быть выполнено квалифицированным специалистом.

Наша компания не несет ответственности за ущерб, который может возникнуть в результате эксплуатации прибора без заземления в соответствии с местными правилами.

3. ПРЕДУПРЕЖДЕНИЕ: Если поверхность повреждена, следует отключить устройство во избежание поражения электрическим током.

4. Никогда не мойте прибор путем распыления или выливания на него воды. Имеется риск поражения электрическим током.

5. Не беритесь за штепсельную вилку мокрыми руками. Не тяните за кабель, чтобы отключить прибор от сети электропитания, всегда придерживайте вилку рукой.

6. Во время установки, обслуживания, очистки и ремонта отключайте устройство.

7. Убедитесь, что штепсельная вилка плотно вставлена в розетку, чтобы избежать образования искр.

8. Если кабель питания поврежден, такой кабель должен быть заменен производителем или дилером по техническому обслуживанию.

9. Не используйте порванные или поврежденные кабели или удлинители.

10. Не используйте пароочистители при очистке прибора, в противном случае может возникнуть поражение электрическим током.

11. При подключении штепсельной вилки к розетке, убедитесь, что в розетке нет жидкости или влаги.

12. Прибор должен быть подключен к электро-розетке с автоматом защиты, в соответствии с условиями здания.

13. Кабель питания не должен соприкасаться с горячими частями прибора.

14. При техническом обслуживании, очистке и ремонте отключайте прибор от сети электропитания.

1) Автоматические выключатели варочной панели должны быть установлены в доступном месте.

1*. Неподвижные соединения должны быть подключены к источнику питания, обеспечивающему многополюсное отключение. Для приборов с защитой от перенапряжения ниже III категории, устройство отключения должно быть подключено к источнику питания с фиксированным напряжением в соответствии с кодом проводки.

1+. Не снимайте ручки управления варочной поверхности. В противном случае могут быть видны электрические кабели. Это может привести к поражению электрическим током.

Газобезопасность

1. Данный прибор должен быть подключен и установлен в соответствии с действующими правилами установки. Особенно следует учитывать условия, касающиеся вентиляции.
2. Когда используется газовая варочная панель, влажность, тепло и продукты горения поступают в помещение. Прежде всего, убедитесь, что кухня хорошо проветривается при эксплуатации прибора, и держите открытыми или установите вытяжку.
3. После интенсивного использования прибора в течение длительного времени может потребоваться дополнительная вентиляция. Например, откройте окно или установите вытяжку на более высокую скорость, если таковая имеется.
4. Следует использовать данный прибор только в хорошо проветриваемых местах в соответствии с действующими правилами. Перед установкой или использованием данного прибора ознакомьтесь с руководством по эксплуатации.
5. Перед подключением прибора убедитесь, что условия газовой магистрали (тип газа и давление газа) соответствуют характеристикам прибора.

- 6.** Автоподжиг не должен работать более 15 секунд. Если конфорка не зажигается в течении этого времени, подождите одну минуту, и попытайтесь снова зажечь конфорку.
- 7.** Все виды работ при подключении к газовой магистрали должны выполняться официальными газовыми службами.
- 8.** Данный прибор настроен для работы с природным газом (NG). Если вы хотите использовать балонный газ, вам необходимо обратиться в уполномоченный сервис для переналадки.
- 9.** Для правильной эксплуатации прибора следует периодически проверять газовую магистраль и перекрывающий вентиль в соответствии с предписаниями газовой службы.
- 10.** Газ должен хорошо гореть в газовых конфорках. Если газ горит ровным синим пламенем, это показывает, на правильную работу газовой конфорки. Если газ горит неровно с желтыми языками пламени может образоваться окись углерода (CO). Окись углерода представляет собой бесцветный, очень токсичный газ без запаха; даже небольшое количество может привести к летальному исходу.
- 11.** Свяжитесь с местными поставщиками газа для получения телефонных номеров учреждений, занимающихся чрезвычайными ситуациями, связанными с газом, и сведений о мерах, которые необходимо принять при обнаружении запаха газа.

Характерные неисправности газового оборудования и методы их устранения

Внимание!! В случае возникновения пожара перекрыть общий кран подачи газа и краны на варочной поверхности, вызвать пожарную службу по телефону 01 и принять меры по тушению огня.

■ Если рядом с поверхностью находятся бытовые электроприборы, подключённые к сети (чайники, тостеры, кофемолки и т.п.), следите, чтобы их провод не попал в зону пламени горелок.

Внимание!! Самыми распространёнными несчастными случаями, связанными с газом, являются ожоги. Как правило, они происходят:

- при касании горячих частей прибора;
- при расплёскивании кипящих жидкостей;
- при опрокидывании посуды, стоящей на передних конфорках.

■ Будьте аккуратны и особенно внимательно следите за своими малышами, а лучше не пускайте их на кухню, пока прибор работает или остывает.

■ Во время работы некоторые детали варочной панели сильно разогреваются и сохраняют тепло значительное время после выключения. Будьте осторожны, не прикасайтесь к ним и предупредите детей – возможны ожоги.

Внимание!! При эксплуатации моделей варочных поверхностей из закаленного стекла, если стекло треснуло, отключите прибор для предотвращения поражения электрическим током.

Внимание!! При появлении запаха газа необходимо перекрыть общий кран подачи газа, закрыть все краны прибора, открыть окна и до устранения утечек не производить никаких действий, связанных с огнем: не зажигать спички, не курить, не включать (выключать) электроприборы и освещение. Для устранения утечек газа немедленно вызовите аварийную газовую службу.

■ При возникновении технических неполадок при работе прибора необходимо немедленно отключить электропитание и перекрыть общий кран подачи газа, перекрыть все краны конфорок и вызвать представителя газовой службы.

■ Периодически (не реже одного раза в полгода) проверяйте состояние кабеля электропитания и гибкого шланга подвода газа. При обнаружении каких-либо дефектов (трещины, следы оплавлений) немедленно обратитесь в сервисную службу.

Гибкий шланг подвода газа заменяется только персоналом специализированных организаций, имеющих право установки и обслуживания газового оборудования.

■ Особую осторожность проявляйте при приготовлении блюд с большим количеством жира или масла, так как они легко воспламеняются.

Внимание!! Нельзя тушить воспламенившееся масло или жир водой! В таких случаях посуду с огнем нужно плотно накрыть крышкой.

Таблица возможных неисправностей и меры по их устранению.

Что произошло?	Возможная причина	Что делать?
Конфорки не зажигаются. Неровное, нестабильное пламя.	Неровность пламени вызвано неправильной настройкой подачи газа.	Обратитесь к специалисту для проверки газопровода.
Внезапные перепады пламени в конфорках.	Неправильно установлены детали конфорки.	Соберите конфорку правильно.
Для зажигания конфорки требуется больше времени.	Неправильно установлены детали конфорки.	Соберите конфорку правильно.
Пламя гаснет вскоре после возгорания.	Ручка нажата слишком быстро или слишком слабо.	Удерживайте ручку нажатой дольше.
Произошло обесцвечивание решетки в зоне конфорки.	Это распространенное явление, вызванное воздействием высокой температуры.	Очистите решетку с применением чистящего средства для ухода за металлическими деталями.
Полностью отсутствует электропитание.	Плохое электрическое соединение.	Проверьте подключение прибора к электроэнергии.
Не работает электроподжиг конфорок.	Между конфоркой и свечой зажигания скопились остатки моющего средства или пищи.	Тщательно очистите зазор между свечой зажигания и конфоркой.
Крышка конфорки загрязнена.	Обычное загрязнение.	Очистите крышки конфорок с применением чистящего средства для ухода за металлическими деталями.

Если, следуя инструкциям, неполадку устранить не удалось, вызовите уполномоченного специалиста.

Целевое использование

1. Данный прибор предназначен для использования в бытовых условиях. Коммерческое использование прибора не допускается.

2. Прибор можно использовать только для приготовления пищи. Его не следует использовать для других целей, таких как обогрев комнаты.

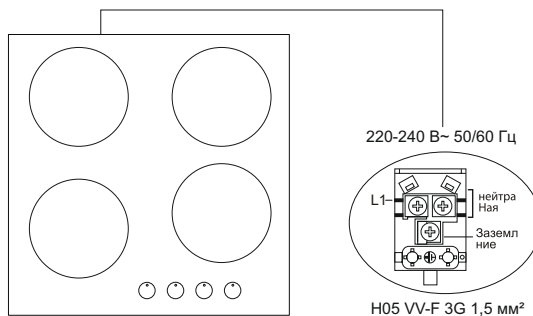
3. Производитель не несет ответственности за какие-либо повреждения, возникшие в результате неправильного использования устройства или обращения с ним.

4. Срок службы приобретенного Вами прибора составляет 10 лет.

Электрическое подключение

1. Условия подключения устройства указаны на этикетке или табличке с данными.
2. Изделие необходимо подключить к предохранителю, соответствующему электрической мощности. Монтаж должен выполняться авторизованным сервисным центром.
3. Ваше устройство должно быть подключено к электросети с напряжением 220-240 V, 50/60 Гц
4. Если параметры электрической сети отличаются от указанных, обратитесь в авторизованный сервисный центр.
5. Подключение устройства должно выполняться только к розеткам с заземляющим контактом. Если в месте расположения устройства не имеется розеток с заземлением, обратитесь в авторизованный сервисный центр. Фирма-изготовитель не несет ответственности за повреждения, возникающие вследствие использования розеток без заземления.
6. Розетка для подключения должна находиться в доступном месте.
7. Не допускайте контакта электрического кабеля устройства с горячими частями. Располагайте его вдали от острых краев и углов.
8. В случае повреждения силового кабеля, он должен быть заменен изготовителем или его сервисным центром.
9. Неправильное электрическое подключение может нанести вред Вашему устройству. В таком случае устройство не будет обслуживаться в рамках гарантии. Электрическое подключение устройства должно выполняться авторизованным сервисным центром.

Схема электрического соединения



Подключение к газовой магистрали

ПРЕДУПРЕЖДЕНИЕ: Все подключения к газовой магистрали должен выполнять только сертифицированный и квалифицированный персонал газовой службы.

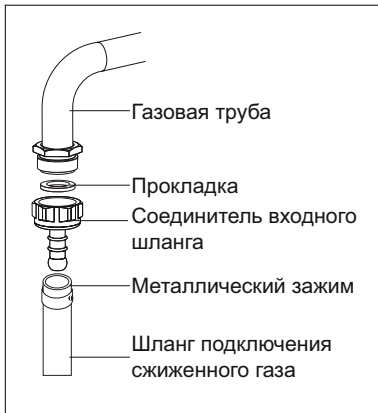
1. Подключение варочной поверхности к газовому крану должно обеспечиваться по наименьшему расстоянию. Соединение должно быть герметичным. Шланг должен быть минимум 40 см, максимум 125 см.

2. Во время проверки на утечку газа нельзя использовать зажигалку, спички, горящие сигареты или подобные горючие вещества.

3. Нанесите на точку подключения мыльную пену. При наличии утечки на области с нанесенной мыльной пеной будут образовываться пузыри.

4. Если варочная поверхность будет устанавливаться на шкафу или открывающемся ящике, под плитой необходимо установить панель для защиты от тепла с промежутком минимум 15 мм.

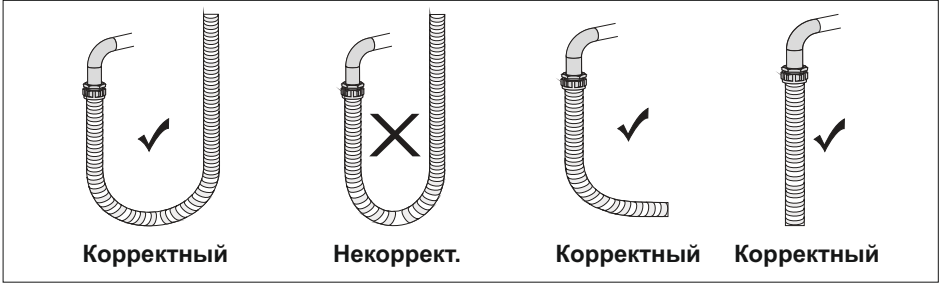
Для подключения к баллону сжиженного газа:



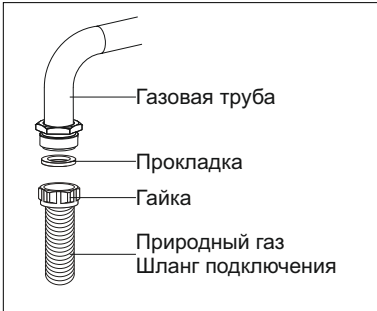
Для подключения к баллону сжиженного газа (газовый баллон), прикрепите металлический зажим на шланг, поступающий от баллона сжиженного газа. Прикрепите конец шланга к соединителю входного шланга, находящегося на задней части устройства, путем нагревания шланга в кипятке. После этого разместите зажим в конце шланга и затяните его с помощью ключа. Прокладка и разъем впускного шланга, необходимые для подключения, показаны на рисунке ниже.

ПРИМЕЧАНИЕ: Регулятор, прикрепленный к баллону сжиженного газа, должен быть 300 мм вод.ст.

ПРЕДУПРЕЖДЕНИЕ: Газовый шланг изделия и электрический кабель не должны проходить рядом с горячими поверхностями. Перемещение прибора с подключенным газовым соединением может привести к утечке газа.



Для подключения к трубопроводу природного газа;



ПРЕДУПРЕЖДЕНИЕ: Подключение к трубопроводу природного газа должно производиться уполномоченной службой.

Для подключения к газопроводу, установите прокладку между гайкой шланга и входным штутцером прибора. Чтобы установить шланг на газопроводе, закрутите гайку. Проверьте соединение, на предмет утечки газа.

Замена инжекторов газовых конфорок.

ПРЕДУПРЕЖДЕНИЕ! Все работы должен выполнять представитель газовой службы!

1. Для замены инжектора пользуйтесь ключем в форме, приведенной на рис.1.
2. Снимите крышку и корпус рассекателя, газовой конфорки для доступа к инжектору, рис. 2
3. Снимите инжектор с помощью ключа, как указано на рис. 3 и замените на новый.

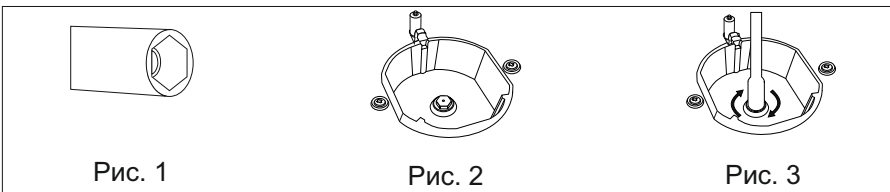


Рис. 1

Рис. 2

Рис. 3

4. Снимите с прибора ручки управления рис.4. Настройте винт посередине газовых кранов, как показано на рис.5, слегка повернув отверткой.

Для настройки винта регулирования потока пользуйтесь отверткой соответствующего размера. Для балонного газа поверните винт по часовой стрелке. Для природного газа поверните винт против часовой стрелки.

Минимальная длина пламени должна быть 6-7 мм.

Настройка устройства может меняться в зависимости от типа используемого газового крана.

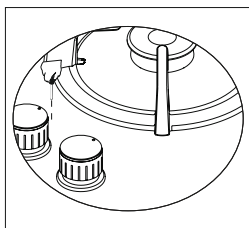


Рис. 4

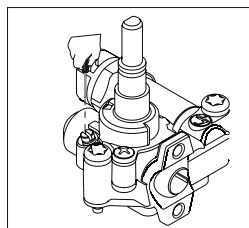


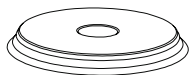
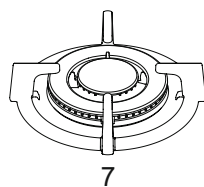
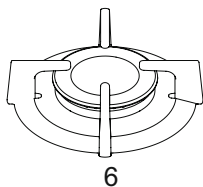
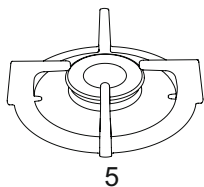
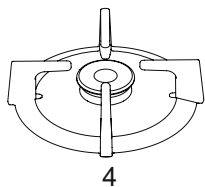
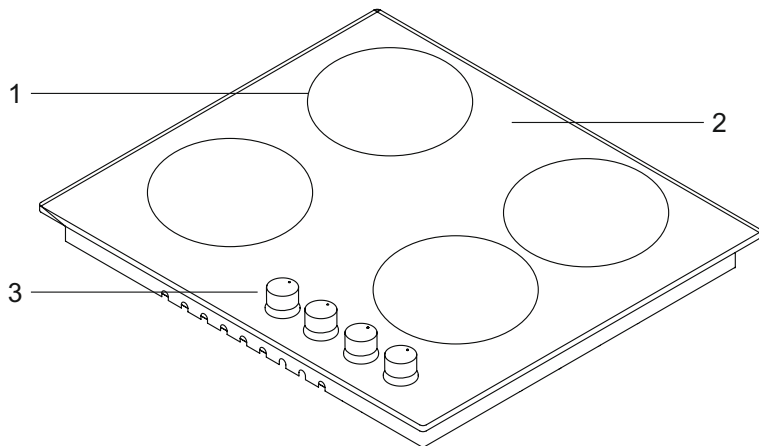
Рис. 5

Проветривание помещения

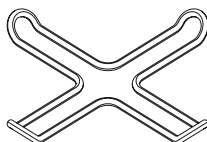
Для надежной работы Вашего изделия обязательным условием является хорошая вентиляция помещения. Если в помещении отсутствует какое-либо вентиляционное отверстие, необходимо установить дополнительную вентиляцию.

Величина помещения	Вентиляционное отверстие
меньше 5 м ³	мин. 100 см ²
от 5 м ³ до 10 м ³	мин. 50 см ²
больше 10 м ³	не требуется
в подвале	мин. 65 см ²

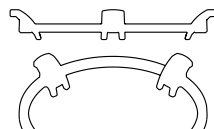
ОПИСАНИЕ ПРИБОРА



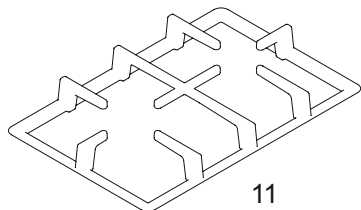
8



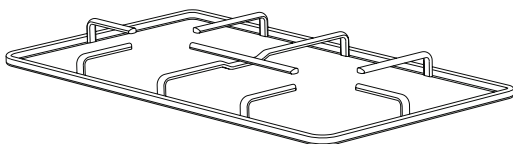
9



10



11



12

1. Конфорка
2. Стеклопанель или металлическая поверхность
3. Ручки управления
4. Маленькая конфорка
5. Средняя конфорка
6. Большая конфорка

7. Конфорка вок *
8. Электрическая конфорка *
9. Адаптер для приготовления кофе *
10. Адаптер для конфорки вок *
11. Чугунная решетка
12. Эмалированная решетка

* в зависимости от модели

Технические Характеристики

Электрическую конфорку можно включить, повернув ручку на панели управления до требуемого уровня. Мощность плиты в зависимости от уровня приведена в таблице ниже

Технические характеристики	Уровень 1	Уровень 2	Уровень 3	Уровень 4	Уровень 5	Уровень 6
Ø80 мм электроконфорка	200 Вт	250 Вт	450 Вт	----	----	----
Ø145 мм электроконфорка	250 Вт	750 Вт	1000 Вт	----	----	----
Ø180 мм электроконфорка	500 Вт	750 Вт	1500 Вт	----	----	----
Ø145 мм электроконфорка быстрая	500 Вт	1000 Вт	1500 Вт	----	----	----
Ø180 мм электроконфорка быстрая	850 Вт	1150 Вт	2000 Вт	----	----	----
Ø145 мм электроконфорка	95 Вт	155 Вт	250 Вт	400 Вт	750 Вт	1000 Вт
Ø180 мм электроконфорка	115 Вт	175 Вт	250 Вт	600 Вт	850 Вт	1500 Вт
Ø145 мм электроконфорка быстрая	135 Вт	165 Вт	250 Вт	500 Вт	750 Вт	1500 Вт
Ø180 мм электроконфорка быстрая	175Вт	220Вт	300Вт	850Вт	1150Вт	2000 Вт
Напряжение питания	220-240 В 50/60 Гц.					

Инжектор, расход газа и инжектор таблица

Конфорка Технические характеристики	G20,20 mbar G25,25 mbar			G20,25 mbar		G20,13 mbar	
	Природный газ			Природный газ		Природный газ	
Вок конфорка (3,5)	Инжектор	1,40	мм	1,28	мм	1,60	мм
	Расход газа	0,333	м³/ч	0,333	м³/ч	0,333	м³/ч
	Мощность	3,50	кВт	3,50	кВт	3,50	кВт
Вок конфорка (2,5)	Инжектор	1,15	мм	1,06	мм	1,35	мм
	Расход газа	0,243	м³/ч	0,243	м³/ч	0,243	м³/ч
	Мощность	2,50	кВт	2,50	кВт	2,50	кВт
Большая конфорка	Инжектор	1,15	мм	1,10	мм	1,45	мм
	Расход газа	0,276	м³/ч	0,276	м³/ч	0,276	м³/ч
	Мощность	2,90	кВт	2,90	кВт	2,90	кВт
Средняя конфорка	Инжектор	0,97	мм	0,92	мм	1,10	мм
	Расход газа	0,162	м³/ч	0,162	м³/ч	0,162	м³/ч
	Мощность	1,70	кВт	1,70	кВт	1,70	кВт
Малая конфорка	Инжектор	0,72	мм	0,70	мм	0,85	мм
	Расход газа	0,96	м³/ч	0,96	м³/ч	0,96	м³/ч
	Мощность	0,95	кВт	0,95	кВт	0,95	кВт

Конфорка Технические характеристики	G30,28-30 mbar G31,37 mbar			G30,50 mbar		G30,37 mbar	
	Сжиженный газ			Сжиженный газ		Сжиженный газ	
Вок конфорка (3,5)	Инжектор	0,96	мм	0,76	мм	0,96	мм
	Расход газа	254	г/ч	254	г/ч	254	г/ч
	Мощность	3,50	кВт	3,50	кВт	3,50	кВт
Вок конфорка (2,5)	Инжектор	0,82	мм	0,73	мм	0,78	мм
	Расход газа	182	г/ч	182	г/ч	182	г/ч
	Мощность	2,50	кВт	2,50	кВт	2,50	кВт
Большая конфорка	Инжектор	0,85	мм	0,75	мм	0,85	мм
	Расход газа	211	г/ч	211	г/ч	211	г/ч
	Мощность	2,90	кВт	2,90	кВт	2,90	кВт
Средняя конфорка	Инжектор	0,65	мм	0,60	мм	0,65	мм
	Расход газа	124	г/ч	124	г/ч	124	г/ч
	Мощность	1,70	кВт	1,70	кВт	1,70	кВт
Малая конфорка	Инжектор	0,50	мм	0,43	мм	0,50	мм
	Расход газа	69	г/ч	69	г/ч	69	г/ч
	Мощность	0,95	кВт	0,95	кВт	0,95	кВт

ПРЕДУПРЕЖДЕНИЕ! Значения диаметра, записанные на форсунке, указаны без запятой. Например ; Диаметр 1,70 мм указывается как 170 на инжекторе.

ПРЕДУПРЕЖДЕНИЕ! Для настройки специалистами авторизованного сервиса необходимо учитывать данные таблицы. Производитель не несет ответственности за любые проблемы, возникающие из-за каких-либо ошибочных настроек.

ПРЕДУПРЕЖДЕНИЕ! Для повышения качества продукции технические характеристики могут быть изменены без предварительного уведомления.

ПРЕДУПРЕЖДЕНИЕ! Прибор произведен в соответствии со стандартами. Значения в таблицах могут отличаться в зависимости от условий окружающей среды.

ПОДКЛЮЧЕНИЕ К ЭЛЕКТРОСЕТИ

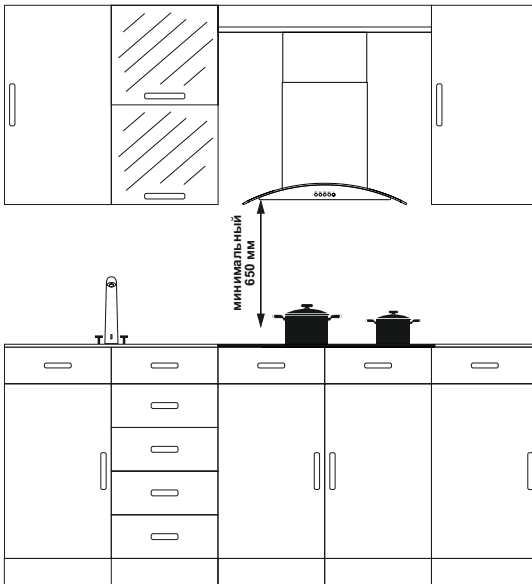
Прежде чем включить прибор, проверьте правильность электромонтажа. Производитель не несет ответственности за ущерб, причиненный в результате операций, совершаемых неавторизованными лицами.

ПРЕДУПРЕЖДЕНИЕ! Подготовьте место размещения прибора. Все необходимые коммуникации по электро и газоснабжению должны быть подведены.

ПРЕДУПРЕЖДЕНИЕ! Установка прибора должна выполняться в соответствии с правилами местных стандартов в отношении электроустановок.

ПРЕДУПРЕЖДЕНИЕ! Перед установкой проверьте отсутствие повреждений устройства. Не устанавливайте варочную поверхность, если поврежден электрокабель.

Правильное место для монтажа

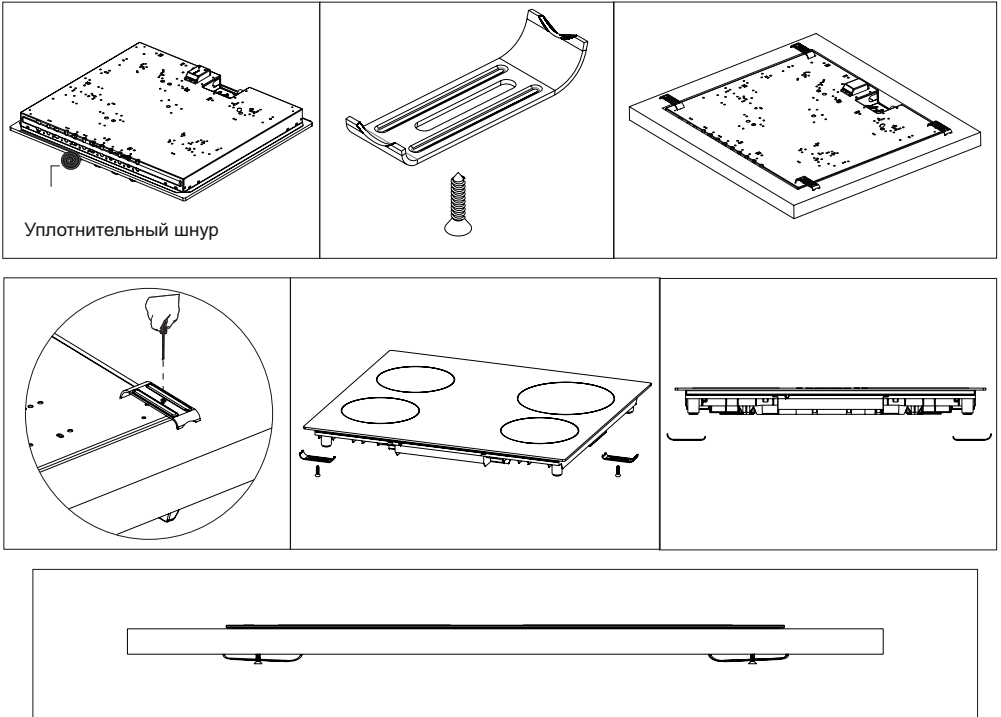


Дизайн изделия разработан в соответствии с доступными на рынке столешницами. Между стенами кухни и мебелью следует оставить безопасное расстояние. Если над прибором будет устанавливаться вытяжка соблюдайте требования изготовителя вытяжки относительно высоты монтажа. (Мин. 65 см) Отверстие на столешнице должно соответствовать монтажным размерам варочной панели.

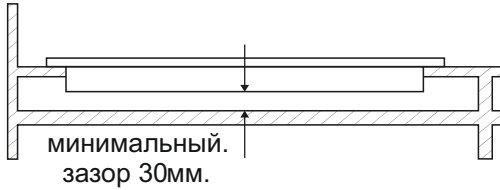
Установка

1. Снимите с поверхности решетки, крышки конфорок и рассекатели.
2. Переверните панель лицевой стороной вниз и положите на ровную поверхность.
3. Для предотвращения попадания инородных тел и жидкостей между панелью и столешницей установите уплотнительный шнур, поставляемый в комплекте, по краям нижней части панели.
4. Переверните поверхность и установите на столешнице.
5. Зафиксируйте варочную поверхность на столешнице, используя зажим и винты.

Схема установки



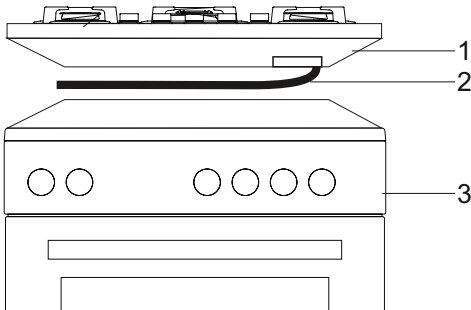
6. В случае монтажа изделия на выдвижном ящике, если его нижняя часть остается доступной, ее следует отделить деревянной полкой.



7. Во время монтажа изделия на шкафу, необходимо установить полку, как показано на рисунке выше, для того, чтобы изолировать варочную поверхность от шкафа. Если поверхность монтируется поверх встроенной духовки, в этом нет необходимости.

8. Если Ваше изделие монтируется рядом со стеной, минимальное расстояние между стеной и плитой должно быть 50 мм.

Если под плитой установлена встроенная духовка

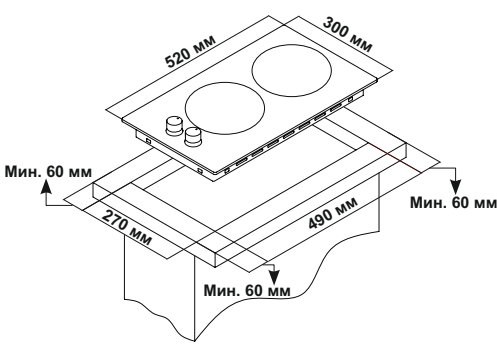


1. Варочная панель
2. Газовый шланг
3. Духовка

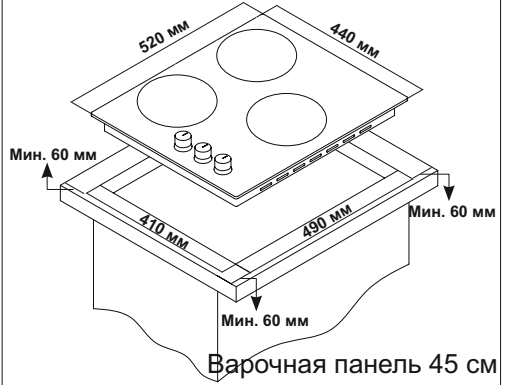
Газовый шланг не должен касаться духовки, острых краев и углов, его не следует тянуть и сгибать.

Габаритные размеры приборов

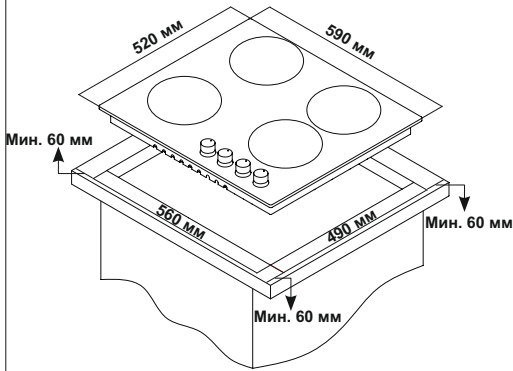
При монтаже варочной панели и подготовке места для ее монтажа в столешнице следуйте предоставленным размерам.



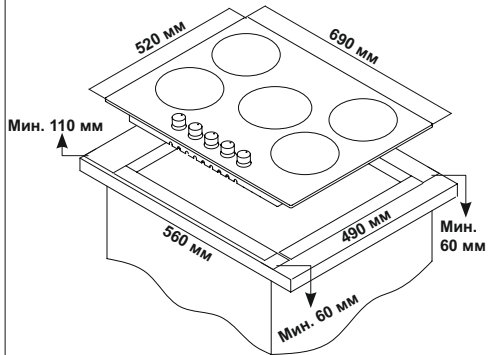
Варочная панель 30 см



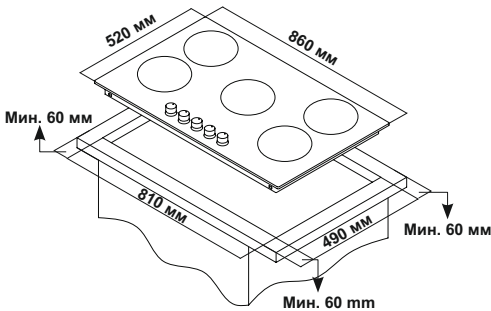
Варочная панель 45 см



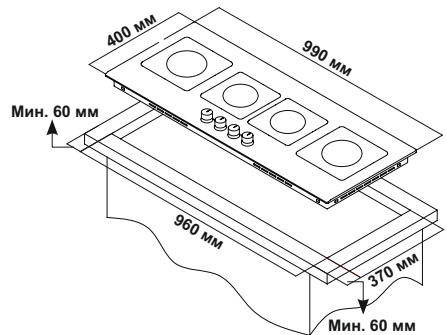
Варочная панель 60 см



Варочная панель 70 см



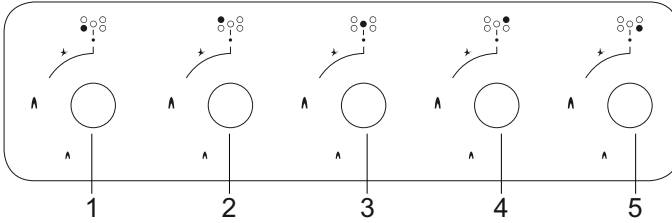
Варочная панель 90 см



Варочная панель 100 см

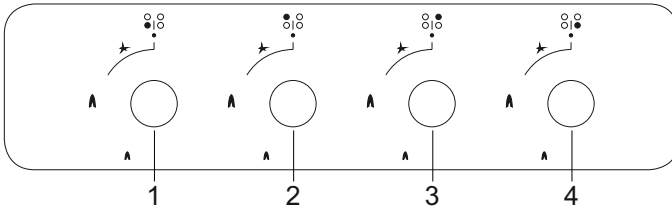
Панели управления

Варочная поверхность 70-90 см и 100 см



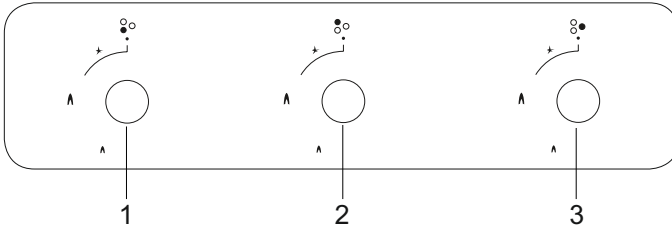
1. Передняя левая конфорка
2. Задняя левая конфорка
3. Вок-конфорка
4. Задняя правая конфорка.
5. Передняя правая конфорка

Варочная поверхность 60 см



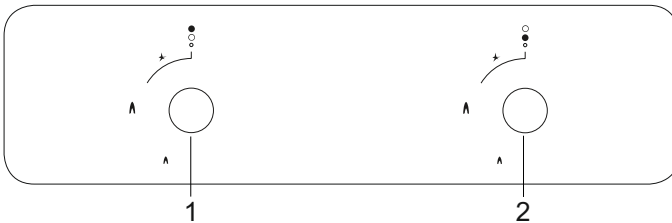
1. Передняя левая конфорка
2. Задняя левая конфорка
3. Задняя правая конфорка.
4. Передняя правая конфорка

Варочная поверхность 45 см



1. Нижняя левая конфорка
2. Верхняя левая конфорка
3. Правая конфорка

Варочная поверхность 30 см



1. Нижняя конфорка
2. Верхняя конфорка

ПРЕДУПРЕЖДЕНИЕ: Панель управления, указанная, приведена только в качестве примера. Принимайте во внимание панель управления, установленную на вашем приборе.

Эксплуатация варочной панели

1. Перед началом эксплуатации прибора убедитесь в том, что крышки конфорок находятся в правильном положении (рис.7).

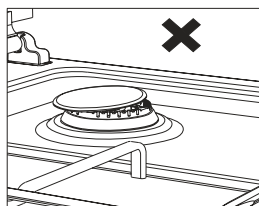


Рис. 6

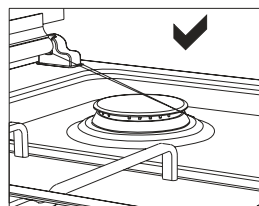
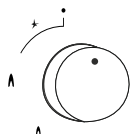


Рис. 7

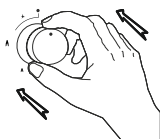
2. Газовые вентили оснащены блокировкой. Поэтому для включения конфорки нажмите ручку и удерживайте ее в нажатом положении во время открытия или закрытия крана.

● **Закрыт** 🔥 **Полностью открыт** 🔥 **Полуоткрыт**

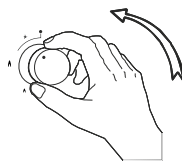
3. В моделях с автоматическим электроподжигом, перед началом эксплуатации изделия убедитесь в том, что варочная поверхность подключена к электрической сети. Розжиг газовых конфорок осуществляется следующим образом.



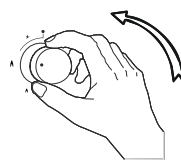
Ручка поверхности находится в закрытом положении.



Для того, чтобы зажечь панель, сначала нажмите на ручку.



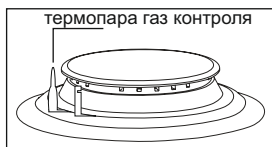
Когда ручка находится в нажатом положении, розжиг включается электророзжиг.



Удерживая ручку в нажатом состоянии и поворачивая влево, можно обеспечить требуемую величину пламени.

4. Следите за тем, чтобы решетки были плотно установлены на панели. Не правильно установленная решетка может вызвать опрокидывание посуды с продуктами.

5. В моделях, с газ контролем после угасания пламени в соответствии с инструкцией, не отпуская руки от ручки, удерживайте её в течение 5-10 секунд. Защитный механизм выключится и обеспечит рабочее состояние конфорки.



6. Газ контроль конфорки*

Срабатывает мгновенно, когда происходит затухание пламени.

7. Во время использования адаптеров* для кофе или вок (опция) убедитесь в том, что они правильно установлены на решетке панели.

8. При эксплуатации варочной панели, пользуйтесь по возможности кастрюлями с длинными ручками, плотно устанавливаемыми на решетках.

В таблице ниже приведены диаметры кастрюль, рекомендуемых для использования с соответствующими конфорками.

9. Убедитесь, что решетки правильно установлены на варочной панели. Если решетка установлена не правильно, это может привести к опрокидыванию посуды.

10. Разместите кастрюли и сковородки таким образом, чтобы их ручки не были расположены над конфорками, чтобы предотвратить их нагрев.

11. Выбирайте кастрюли и сковородки под необходимое количество продуктов.

12. Конфорка должна совпадать по размеру с дном кастрюли. Настройте пламя, чтобы оно не выходило дальше основания кастрюли.

13. Не используйте емкость, которая неустойчива и может быть легко опрокинута на варочной панели.

14. Не ставьте пустые кастрюли и сковородки на варочную панель со включенным пламенем.

15. После каждого использования всегда выключайте конфорки.

16. Не используйте пластиковую и иную не термостойкую посуду.

17. Не используйте конфорки без установленных на них кастрюль и сковородок.

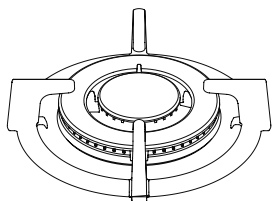
18. Не кладите крышки от кастрюль и сковородок на варочную поверхность.

19. Когда Вы хотите поместить кастрюлю на другую конфорку, не двигайте ее, а поднимите и переставьте.

20. При разогреве масла, накрывайте посуду крышкой.

21. Не наливайте в кастрюлю масло объемом более одной трети самой кастрюли. Не оставляйте кастрюлю без присмотра, когда масло нагревается. Перегретое масло может стать причиной пожара.

Конфорка Вок *



Конфорка Вок обеспечивает быстрое приготовление пищи. Она обладает тройным рядом пламени, что обеспечивает равномерное распределение тепла по дну кастрюли. Конфорка Вок является идеальной для быстрого приготовления пищи при высокой температуре. При желании использовать на конфорке Вок обычную кастрюлю, необходимо снять с плиты подставку для кастрюли Вок (опция).

Размеры кастрюль

Рекомендуемые диаметры дна приведены в следующей таблице.

Стекланные варочные панели	30 см панель	45 см панель	60 см боковое управление	60 см переднее управление	70 см переднее управление	90 см переднее управление
Малая конфорка	12-18 см	12-18 см	12-18 см	12-18 см	12-18 см	12-18 см
Средняя конфорка	---	18-20 см	18-20 см	18-20 см	18-20 см	18-22 см
Большая конфорка	18-24 см	22-24 см	22-24 см	22-24 см	22-24 см	22-26 см
Вок конфорка	24-26 см	---	24-26 см	24-26 см	24-26 см	26-30 см

Металлические варочные панели	30 см панель	45 см панель	60 см боковое управление	60 см переднее управление	70 см переднее управление	90 см переднее управление
Малая конфорка	12-18 см	12-18 см	12-18см	12-18см	12-18см	12-18см
Средняя конфорка	---	18-20 см	18-20см	18-20см	18-20см	18-22см
Большая конфорка	18-22 см	22-24 см	22-26см	22-24см	22-24см	22-26см
Вок конфорка	24-26 см	24-26 см	24-26см	24-26см	24-26см	26-32см

ПРЕДУПРЕЖДЕНИЕ: Посуда, для использования на варочной панели должна иметь минимальный диаметр 120 мм.



Перелив жидкостей может повредить поверхность варочной панели и привести к пожару.



Не используйте посуду с выпуклым или вогнутым основанием.



Если диаметр кастрюли меньше диаметра конфорки, это приведет к потере энергии.



Используйте кастрюли и сковородки только с плоским основанием.

Техническое обслуживание и чистка

Перед началом технического обслуживания или чисткой, выньте из розетки штепсельную вилку. Если панель горячая, подождите, пока она остынет.

1. Чтобы обеспечить долгий срок службы прибора, необходимо регулярно проводить его очистку и техническое обслуживание.
2. Для очистки панели не пользуйтесь твердыми предметами, такими как жесткая щетка, проволочная губка или нож. Не используйте абразивные, вещества, кислоты или едкие моющие средства.
3. Протрите панель тканью, смоченной в мыльном растворе и промойте водой, а затем тщательно вытрите насухо.
4. Очищайте стеклянные поверхности специальными средствами для чистки стекол. Царапины на стеклянных поверхностях вызывают трещины, поэтому для их очистки не пользуйтесь абразивными чистящими средствами или острыми металлическими скребками.
5. Не очищайте панель паровыми очистителями.
6. Промойте рассекатели и крышки конфорок мыльной водой и очистите их с помощью мягкой щетки.
7. Для чистки панели никогда не пользуйтесь кислотой, растворителем, керосином, и другими горючими веществами.
8. Не мойте пластиковые и алюминиевые части плиты в посудомоечной машине.
9. Как можно быстрее очищайте плиту от разлившихся на ее поверхности уксуса, лимонного сока, соли, колы и других кислотных и щелочных веществ.
10. Со временем ручки управления панели могут с трудом поворачиваться, для их обслуживания необходимо обратиться в сервисный центр.

Устранение неисправностей

Перед тем, как обратиться в техническую службу, Вы можете решить возникшие с изделием проблемы, проверив следующие пункты.

Неисправности

Если у вас возникла проблема, сначала посмотрите таблицу ниже и попробуйте выполнить предложенные действия.

Неисправность	Вероятная причина	Способ устранения
Не зажигается.	Нет искры.	Проверьте наличие питания.
	Крышка конфорки установлена неправильно.	Правильно установите крышку.
	Закрыта подача газа.	Полностью откройте подачу газа.
Неправильное зажигание.	Подача газа открыта не полностью.	Полностью откройте подачу газа.
	Крышка конфорки установлена неправильно.	Правильно установите крышку.
	Электроподжиг конфорки загрязнен.	Удалите загрязнения.
	Варочная поверхность мокрая.	Высушите поверхность.
	Отверстия рассекателя пламени забиты.	Очистите распределитель пламени.
Шум при горении или при зажигании.	Крышка конфорки установлена неправильно.	Правильно установите крышку поверхности.
Во время работы пламя отключается.	Жиклер забит инородным материалом пламя.	Очистите устройство наблюдения за пламенем.
	Произошел разлив продуктов.	Отключите варочную панель. Очистите ее, а затем включите снова.
	Сильный поток воздуха отключает пламя.	Устраните сквозняки. Подождите 1 минуту и зажгите конфорку снова.
Желтое пламя.	Отверстия рассекателя пламени забиты.	Очистите рассекатель пламени.
	Используется другой газ.	Проверьте используемый газ.
Нестабильное пламя.	Крышка конфорки установлена неправильно.	Правильно установите крышку.
Запах газа.	Конфорки не закрыты.	Проверьте, чтобы все конфорки были закрыты.
	Утечка из подключенного газового баллона	Убедитесь, что соединения герметичны.
Электроподжиг не работает.	Забиты наконечники или корпус пробок зажигания.	Очистите наконечники или корпус пробок зажигания газовых конфорок.
	Забит жиклер газовой конфорки.	Очистите жиклер газовой конфорки.

Правила транспортировки

1. Переносите и перевозите прибор в оригинальной упаковке.
2. При погрузке, разгрузке и транспортировке и соблюдайте осторожность.
3. Перед переносом и транспортировкой убедитесь, что упаковка надежно закрыта.
4. Защищайте упаковку от внешних факторов (таких как влажность, вода и т. д.), которые могут ее повредить.
5. Будьте осторожны, оберегайте прибор от ударов, во время переноса и транспортировки.

Утилизация бытовой техники

1. Данное изделие не содержит опасных и запрещенных веществ. Соответствует требованиям положений Директивы ЕС об отходах электрического и электронного оборудования
2. Данное изделие произведено из высококачественных деталей и материалов, которые могут быть переработаны и повторно использованы.
3. Не следует выбрасывать ваше изделие вместе с бытовыми отходами по истечении его срока службы. Необходимо сдать его в пункт сбора для переработки отходов электрического и электронного оборудования.

Помогите защитить окружающую среду и природные источники путем переработки отработанных изделий.

Упаковка

Материалы упаковки устройства произведены из перерабатываемого материала в соответствии с нашим национальным законодательством. Не выбрасывайте упаковочные материалы вместе с бытовыми и иными отходами, сдавайте их в пункты сбора упаковочных материалов.

В целях безопасности детей перед утилизацией данного изделия необходимо отрезать электрический кабель, чтобы предотвратить его включение.



Страна происхождения - Турция

Изготовитель:

«СЕРСИМ ДАЙАНЫКЛЫ ТЮКЕТИМ МАЛЛАРЫ САНАЙИ ВЕ ТИДЖАРЕТ КОЛЛЕКТИФ ШИРКЕТИ ИБРАХИМ ВЕ МУСТАФА УСТАОГЛУ»,

Юр.адрес: Кайсери Сербест Бёлгеси, Анбар SB Махаллеси, 12 Джадде, Серсим ситеси KSR-125/130, Апартаман №17, Меликгази, Кайсери, Турция
Адрес производства: Сербест Бёлге, 12 Джадде №18, Меликгази, Кайсери, Турция

«SERSIM DAYANIKLI TUKETIM MALLARI SANAYI VE TICARET KOLLEKTIF SIRKETI IBRAHIM VE MUSTAFA USTAOGU»,

Юр.адрес: Kayseri Serbest Bolgesi, Anbar SB Mahallesi, 12 Cadde, Sersim Sitesi, KSR-125/130, Apartman №17, Melikgazi, Kayseri, Turkiye
Адрес производства: Serbest Bolge 12. Cadde No.18, Melikgazi, Kayseri, Turkiye

Импортер/Организация, уполномоченная на принятие претензий от покупателей: **ООО «СИМРУС» ИНН 7717705825, КПП 771901001, ОГРН 1117746641891**

Юридический /фактический адрес: 105318, Россия, Москва, Ткацкая ул. д. 5, корп.7, этаж 2

При возникновении гарантийного случая необходимо обращаться в авторизованные сервисные центры. Список авторизованных сервисных центров обслуживания в Вашем городе указан в данном руководстве по эксплуатации. Если в Вашем городе отсутствует авторизованный сервисный центр, Вам следует обратиться в магазин, где Вы приобрели товар.

Получить информацию о сервисном обслуживании в Вашем городе Вы можете по телефонам: 8 (495) 969-02-86, 969-02-87

Срок гарантии - 12 месяцев

Срок службы - 10 лет

Дата изготовления – указана на изделии



Құрметті сатып алушы!

Simfer тұрмыстық техникасын таңдағаныңыз үшін зор алғыс білдіреміз.

Simfer – бұл сапа, сенімділік, және сатып алушылардың қажеттіліктеріне мұқияттылық. Біздің компаниямыздың өнімдері Сізге ұнайды және келешекте Сіз Simfer техникасын таңдайсыз деп үміттенеміз.

Бұл өнім заманауи жабдықтарда, қоршаған ортаға зиян келтірмей жасалған.

Электрлі және электронды жабдықтардың қалдықтары туралы ЕС Директивасының талаптарына сай келеді (WEEE).

ЕСКЕРТУ

Қолыңыздағы пайдалану нұсқаулығы бірнеше модельдерге арналған, режимдері мен қызметтері ерекшеленуі мүмкін. Барлық суреттер сызба түрінде берілген. «*» белгісімен белгіленген барлық қызметтер мен жасақтаушылар, қосымша опция болып табылады және Сіздің өніміңізде болмауы мүмкін.

Нұсқаулықты мұқият оқыңыз, мұнда қауіпсіз орнату, пайдалану және техникалық қызмет көрсету бойынша маңызды ақпарат берілген. Нұсқаулықты алдағы уақытта пайдалану үшін, оның сақталуын қамтамасыз етіңіз. Осы құрылғыны жаңа иесіне беретін кезде, барлық құжаттарын қоса беруді ұмытпаңыз.

Мазмұны

Маңызды ескертулер	68
Қуат көзіне қосу	77
Газ магистраліне қосу	78
Құрылғыны сипаттау	81
Техникалық сипаттамалары	82
Құрылғыны орнату	84
Пісіру панелінің сыртаумақтық өлшемдері	87
Басқару панелі	87
Пісіру панелін пайдалану	88
Техникалық қызмет көрсету және тазарту	92
Ақауларды жою	93
Тасымалдау ережелері	94
Экологиялық қауіпсіз жою	94
Қаптама туралы ақпарат	94

МАҢЫЗДЫ ЕСКЕРТУЛЕР

1. Ортану және жөндеу жұмыстарын тек **АВТОРЛАНДЫРЫЛҒАН СЕРВИСТІК ОРТАЛЫҚТАР** жүзеге асыруы тиіс. Өндіруші рұқсаты жоқ тұлғалармен жүзеге асырылған жұмыстар үшін жауапкершілік алмайды.

2. Осы пайдалану нұсқаулығымен мұқият танысыңыз. Тек осылай ғана құрылғыны қауіпсіз және дұрыс пайдалана аласыз.

3. Пісіру беті пайдалану нұсқаулығында көрсетілген қағидаларға сәйкес қолданылуы тиіс.

4. Құрылғы жұмыс істеп тұрған кезде 8 жастан кіші балаларды және үй жануарларын жақындатпаңыз.

5. ЕСКЕРТУ: Өрт қауіптілігі! Жанғыш заттарды пісіру бетінде сақтамаңыз.

6. ЕСКЕРТУ: Пайдалану барысында пісіру панелі және оның бөлшектері ыстық болады.

7. Осы құрылғыны пайдалану шарттары зауыттық этикеткада нұсқалған.

8. Пісіру бетіне кішкентай балаларды жақындатпаңыз.

9. ЕСКЕРТУ: Құрылғы тамақ пісіруге арналған. Оны басқа мақсаттарға пайдалануға болмайды, мысалы, бөлмені жылыту үшін.

10. Құрылғыны тазарту үшін бутазартқыштарды қолданбаңыз.

11. ЕШҚАШАН отты сумен сөндіруге тырыспаңыз. Құрылғыны қуат көзінен сөндіріңіз, ал содан соң отты қақпақпен немесе өрт жапқышпен жабыңыз.

12. Құрылғыға 8 жастан кіші балаларды жақындатпаңыз.

13. Қызу элементтеріне денеңіздің тиіп кетуінен сақ болыңыз.

14. НАЗАР АУДАРЫҢЫЗ: Тамақ дайындау процесін қараусыз қалдырмаңыз.

15. Құрылғы сыртқы таймермен немесе қашықтықтан басқару жеке жүйесімен пайдалану үшін жарамайды.

16. Құрылғыны 8 жастан үлкен балалар, физикалық, сенсорлық немесе ақыл-ес мүмкіндіктері шектеулі адамдар қолдана алады, егер олар бақылауда болса, немесе қауіп туралы хабардар болса.

17. Құрылғы тек қана тұрмыстық жағдайларда пайдалануға арналған.

18. Балалар құрылғымен ойнамауы тиіс. Егер бала 8 жастан кіші болса, құрылғыны тазарту немесе оған қызмет көрсетуді оларға жүзеге асыруға болмайды.

19. Құрылғыны және қуат сымдарын 8 жастан кіші балаларға қолжетімді болмайтын жерде сақтаңыз.

20. Құрылғыны пайдалануды бастамас бұрын, шымылдырық, тюль, қағаз немесе кез келген тұтанатын заттарды алып тастаңыз және әрірек қойыңыз. Тұтанатын немесе тез тұтатантын материалдарды құрылғының бетіне қоймаңыз.

21. Желдеткіш каналдарды ашық ұстаңыз.

22. Консервілер мен шыны банкілерді ысыптаңыз. Қысым банкінің жарылуына әкеп соғуы мүмкін.

23. Құрылғыны сіздің ақыл-ес және координацияңызға әсер етуі мүмкін жағдайларда пайдаланбаңыз. Мысалы, дәрі және/немесе алкоголь әсері.

24. Пайдаланып болғаннан соң әр жолы сөндіріп отырыңыз.

25. Алкогольды тамаққа араластырғанда абай болыңыз. Алкоголь жоғары температураларда буланады, және ыстық беттерге тиген кезде, өрт туындатуы мүмкін.

26. Егер құрылғыда ақау болса немесе көзге көрініп тұрған бұзылған жерлері болса, оны пайдаланбаңыз.

27. Балалардың қолы жетуі мүмкін заттарды құрылғының үстіне қоймаңыз.

28. Қаптама балалар үшін қауіпті болып табылады. Қаптау материалдарын балалардың қолы жетпейтін жерде сақтаңыз.

29. Үйде кез келген жөндеу жұмыстары жүріп жатқан кезде, газдық бетке газ беру тоқтатылуы тиіс. Жұмыстар аяқталғаннан кейін, плитаны қайта қосу авторландырылған қызмет көрсету орталықтарының мамандарымен орындалуы тиіс.

30. Пышақ, айыр, қасық сияқты металл бұйымдарды құрылғының бетіне қоймаңыз, себебі олар қызып кетеді.

31. Қызып кетуін болдырмау үшін құрылғыны декоративті беттердің артына орнатуға болмады.

32. Құрылғыны тазартпас бұрын, оны электр желісінен ағытыңыз.

33. Сымдар бекітілген жерлер қорғалуы тиіс.

34. НАЗАР АУДАРЫҢЫЗ: егер плитаның шынысы зақымданған болса, онда жедел түрде барлық қыздыру элементтерін сөндіріңіз және құрылғыны қуат көзінен ағытыңыз, құрылғының бетіне тиіспеңіз және оны пайдаланбаңыз.

35. Пайдаланушы пісіру панелін өз бетінше жөндемеуі тиіс.

36. Газ конфоркаларын тазалаған кезде абай болыңыз. Бұл зақымдануыңызға әкеп соқтыруы мүмкін.

37. Тамақ пісіру немесе бірден тамақ пісіріп болған уақытта пісіру панелі ыстық болатындықтан, күйіп қалу қауіпі бар.

38. Қосулы тұрған пісіру бетінің жанында болған кезде, мұқият болыңыз. Пайдаланушының қауіпсіздік ережелерін сақтамаған жағдайда күйе фактілері орын алуы мүмкін.

39. Егер плитаның үстінде ауыр заттар тұрса, оларды алып тастау қажет. Бұл зақымдануларға соқтыруы мүмкін.

40. Қолданыстағы нормативтік актілерге сәйкес, пісіру панелін қосқан кезде, газ және электрқауіпсіздігі талаптары сақталуы тиіс.

Электрқауіпсіздік

1. Құрылғыны тұйықталған, сақтандырқышпен қорғалған, техникалық сипаттамалар кестесінде келтірілген мәндерге сәйкес келетін резеткіге қосыңыз.

2. Электр желісіне және газ магистраліне қосуды білікті маман жүзеге асыруы тиіс.

Біздің компания құрылғыны жергілікті ережелерге сәйкес тұйықтаусыз пайдалану нәтижесінде туындауы мүмкін зиян үшін жауапты болмайды.

3. ЕСКЕРТУ: Егер бетіне зақым келген болса, тоқ соғу қауіпін болдырмау үшін құрылғыны сөндіру керек.

4. Ешқашан құрылғыны су бүрку немесе су төгу арқылы жумаңыз. Тоқ соғу қауіпі бар.

5. Штепсельдік айырды ылғалды қолмен ұстамаңыз. Құрылғыны электр қуаты желісінен ағыту үшін сымды тартпаңыз, үнемі айырды қолмен ұстап тартыңыз.

6. Құрылғыны жөндеу, оған қызмет көрсету, тазарту және орнату барысында құрылғыны сөндіріп қойыңыз.

7. Ұшқындардың туындауын болдырмау үшін, штепсельдік айыр резеткіге тығыз орнатылғанына көз жеткізіңіз.

8. Егер қуат сымы зақымданған болса, ондай сымды өндіруші немесе техникалық қызмет көрсету бойынша дилер ауыстыруы тиіс.

9. Жыртылған сымдарды немесе ұзартқыштарды пайдаланбаңыз.

10. Құрылғыны тазалау барысында бутазартқыштарды пайдаланбаңыз, олай жасамаған жағдайда, электр тоғы соғуы мүмкін.

11. Штепсельдік айырды резеткіге қосқан кезде, резеткіде сұйықтық немесе ылғалдың болмауына көз жеткізіңіз.

12. Құрылғы тапсырма шарттарына сәйкес қорғау автоматы бар электр резеткеге қосылуы тиіс.

13. Қуат сымы құрылғының ыстық бөліктеріне тиіп тұрмауы тиіс.

14. Техникалық қызмет көрсету, тазарту және жөндеу кезінде құрылғыны электр көзінен ағытыңыз.

15. Құрылғы «**Y**» **типті** қуат сымымен жабдықталған.

16. Пісіру панелінің автоматты сөндіргіштері қолжетімді жерде орнатылуы тиіс.

17. Қозғалмайтын біріктірулер көпполюсті сөндіруді қамтамасыз ететін қуат көздеріне қосылуы тиіс. III-санаттан төмен деңгейде кернеудің ұлғаюынан қорғалған құрылғылар үшін, сөндіру жабдығы тексеру кодына сәйкес кернеуі белгіленген қуат көзіне қосылуы тиіс.

18. Пісіру бетінің басқару тұтқаларын ағытпаңыз. Әйтпесе электр сымдар көрініп тұруы мүмкін. Салдарынан тоқ соғуы мүмкін.

ГАЗ ҚАУІПСІЗДІГІ

1. Бұл құрылғы қолданыстағы орнату ережелеріне сәйкес қосылуы және орнатылуы тиіс. Әсіресе желдетуге қатысты шарттарды ескерген жөн.

2. Газдық пісіру панелі пайдаланылғанда, ылғал, жылу және жану өнімдері бөлмеге таралады. Ең алдымен құрылғыны пайдаланған

кезде асүй жақсы желдетілетініне көз жеткізіп алыңыз, ашық ұстаңыз немесе сорып шығару құрылғыларын орнатыңыз.

3. Құрылғыны ұзақ уақыт бойына қарқынды пайдаланғаннан кейін қосымша желдету қажет болуы мүмкін. Мысалы, терезені ашыңыз немесе егер бар болса, сорып шығару құрылғысын анағұрлым жоғары жыламдыққа қойыңыз.

4. Қоладынастағы ережелерге сәйкес бұл құрылғыны жақсы желдетілетін жайларда ғана пайдаланған жөн. Осы құрылғыны орнату немесе пайдаланар алдында, пайдалану нұсқаулығымен танысыңыз.

5. Құрылғыны қосар алдында, газ магистралінің жағдайы (газ типі және газ қысымы) құрылғының сипаттамаларына сәйкес келетініне көз жеткізіңіз.

6. Автотұтатқыш 15 секундтен артық уақыт жұмыс істемейі тиіс. Егер осы уақыт ішіне конфорка тұтанбаса, бір минут күтіп, конфорканы тағы тұтатып көріңіз.

7. Газ магистраліне қосылу барысында барлық жұмыс түрлерін ресми газ қызметтері орынауы тиіс.

8. Осы құрылғы табиғи газбен (NG) жұмыс жасауға бапталған. Егер балон газын пайдаланғыңыз келсе, қайта баптайтын құзіретті қызмет көрсету мекемесіне жүгінуіңіз қажет.

9. Құрылғыны дұрыс пайдалану үшін газ қызметінің тапсырмаларына сәйкес, газ магистралін және жабу шұрасын мезгіл-мезгіл тексеріп тұру қажет.

10. Газ конфоркаларда жақсы жанып тұруы тиіс. Егер газ біркелкі көк отпен жанып тұрса, бұл газ конфоркасының дұрыс жұмыс істеп тұрғанын білдіреді. Егер газ біркелкі емес, сары алаулар шығарып жанып тұрса, көміртек тотығы (CO) түзілуі мүмкін. Көміртек тотығы түссіз, өте уытты, иіссіз газ болып табылады; тіпті аздаған мөлшерде өліммен аяқталатын жағдайға алып келуі мүмкін.

11. Газға байланысты төтенше жағдайлармен айналысатын мекемелердің телефон нөмірлерін және газдың иісі шыққанын анықтаған жағдайда қолданылатын шаралар туралы ақпарат алу үшін жергілікті газ жеткізушілерге хабарласыңыз.

Газ жабдықтарына тән ақаулар және оларды жою әдістері

Назар аударыңыз!! Өрт туындаған жағдайда, газ беру негізгі кранын және пісіру бетінің карндарын жабыңыз, 01 нөмірі бойынша өрт сөндіру қызметін шақырыңыз және өртті сөндіру бойынша шаралар қолданыңыз.

- Егер пісіру бетінің жанында желіге қосылған электр құрылғылар (шәйнек, тостер, кофеұнтақтағыш және т.с.с.) тұрған болса, онда олардың сымдары жанарғы отының аумағына түсіп кетпеуін қадағалаңыз.

Назар аударыңыз!! Газға байланысты ең көп таралған жазатайым жағдайлар ол – күйік шалу болып табылады. Әдетте олар келесідей жағдайларда орын алады:

- құрылғының ыстық бөліктеріне тиіп кеткенде;
- қайнап жатқан сұйықтықтар шашырағанда;
- алдыңғы конфоркаларда тұрған ыдыс аударылғанда.
- Мұқият болыңыз және әсіресе өзіңіздің балаларыңызға абай болыңыз, ал дұрысы, құрылғы жұмыс істеп тұрғанда немесе суығанша оларды асүйге кіргізбеңіз.
- Жұмыс істеп тұрғанда пісіру панелінің кейбір бөлшектері қатты ысып кетеді және сөндіргеннен кейін де біршама уақыт жылуын сақтайды. Абай болыңыз, оларға тимеңіз және балаларға ескертіңіз – күйіп қалуларыңыз мүмкін.

Назар аударыңыз!! Шыңдалған шыныдан жасалған пісіру беттерінің модельдерін пайдаланған кезде, егер шыны жарылып кетсе, тоққа соғылудың алдын алу үшін құрылғыны сөндіріп тастаңыз.

Назар аударыңыз!! Газдың иісі шыққан кезде газ беру негізгі кранын, құрылғының барлық крандарын жауып тастау қажет. Сонымен қатар терезелерді ашып, газдың шығу себебі жойылғанға дейін, отқа байланысты ешқандай әрекеттер жасамау қажет: шірпі тұтатпаңыз, темекі шекпеңіз, электр құрылғыларды және жарықты қоспаңыз және сөндірімеңіз. Газдың шығу себебін жою үшін, жедел түрде апаттық газ қызметін шақырыңыз.

- Құрылғы жұмыстында техникалық ақаулар туындаған жағдайда, жедел түрде электр қуатын сөндіріп, газ беру негізгі кранын, конфоркалардың барлық крандарын жауып тастаңыз және газ қызметінің өкілін шақырыңыз.
- Мезгіл-мезгіл (кемінде жарты жылда бір рет) электр қуаты сымының және газ жеткізу иілгіш құбыршегінің күйін тексеріп тұрыңыз. Қандай да бір ақауларды (сызат түскен болса, балқу іздері болса) анықтаған жағдайда, бірден қызмет көрсеті орталығына жүгініңіз.

Газ жеткізу иілгіш құбыршегін ауыстыру, тек газ жабдықтарын орнатуға және қызмет көрсетуге құқығы бар арнайы ұйымдардың қызметкерлерімен ғана жүзеге асырылады.

- Май мөлшері көп тағамдарды дайындау барысында ерекше абай болыңыз, себебі ол оңай тұтанады.

Назар аударыңыз!! Жанып жатқан майды сумен сөндіруге болмайды! Мұндай жағдайларда жанып жатқан ыдысты қақпақпен бүреп жабу қажет.

Орын алуы мүмкін ақаулар мен оларды жою шаралары КЕСТЕСІ

Қандай жағдай орын алды?	Мүмкін болатын себептер	Не істеу керек?
Конфоркалар жанбайды. Біркелкі емес, тұрақсыз от.	Біркелкі емес от газ берудің дұрыс бапталмауы себебінен туындаған.	Газ құбырын тексеру үшін маманға жүгініңіз.
Конфоркалардағы оттың кенеттен құбылуы.	Конфорка бөлшектері дұрыс орнатылмаған.	Конфорканы дұрыс жинаңыз.
Конфорканы тұтату үшін көбірек уақыт қажет.	Конфорка бөлшектері дұрыс орнатылмаған.	Конфорканы дұрыс жинаңыз.
Тұтанғаннан кейін аздан соң от өшеді.	Тұтқа өте тез немесе өте әлсіз басылған.	Қолыңызды басқан күйде ұзағырақ ұстап тұрыңыз.
Конфорка аумағындағы тор түсін жоғалтты.	Бұл жоғары температураның әсерінен туындаған, кеңінен таралған құбылыс.	Металл бөлшектерге күтім жасауға арналған тазарту құралдарын қолдана отырып, торды тазартыңыз.
Электр қуаты мүлде жоқ.	Электр түйісуі нашар.	Құрылғының электр қуатына қосулы тұрғанын тексеріңіз.
Конфоркалардың электртұтатқыштары істемейді.	Конфорка мен тұтату білтесінің арасында жуғыш заттың немесе астың қалдықтары тұрып қалған.	Конфорка мен тұтату білтесінің арасындағы саңылаушы мұқият тазартыңыз.
Конфорка қақпағы ластанған.	Қалыпты ластану.	Металл бөлшектерге күтім жасауға арналған тазарту құралдарын қолдана отырып, конфорканы тазартыңыз.

Егер нұсқаулыққа сәйкес әрекет ете отырып, ақауды жою мүмкін болмаса, құзіретті маманды шақырыңыз.

Мақсатына сәйкес пайдалану

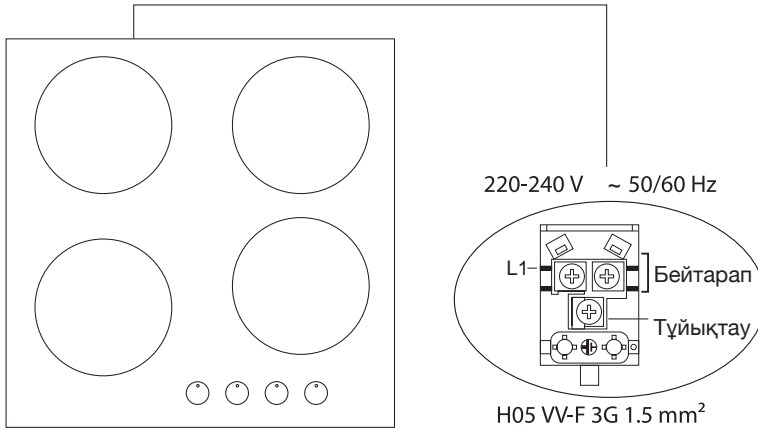
1. Бұл құрылғы тұрмыстық жағдайларда қолдануға арналған. Құрылғыны коммерциялық мақсатта пайдалануға болмайды.
2. Құрылғыны тек ас әзірлеу үшін ғана пайдалануға болады. Оны басқа мақсаттарда пайдалануға болмайды, мысалы жылыту сияқты.
3. Құрылғыны дұрыс пайдаланбау немесе оны дұрыс қолданбау нәтижесінде туындаған қандай да бір ақаулар үшін өндіруші жауапты болмайды.
4. Сіз сатып алған құрылғының қызмет ету мерзімі 5 жыл.

Электрлі қосылу

1. Құрылғыны қосу шарттары этикеткада немесе деректері жазылған тақташада нұсқалған.
2. Өнімді электр қуатына сәйкес сақтандырғышқа қосу қажет. Монтаждау авторландырылған қызмет көрсету орталығында орындалуы тиіс.
3. Сіздің құрылғыңыз кернеуі 220-240 V, 50/60 Гц электр желісіне қосылуы тиіс.
4. Егер электр желісінің параметрлерін нұсқалғаннан ерекшеленетін болса, авторландырылған қызмет көрсету орталығына жүгініңіз.
5. Құрылғыны қосу тек тұйықтандыру контактісі бар резеткеге ғана орындалуы тиіс. Егер құрылғы орналасқан жерде тұйықтандырылған резетке бомаса, авторландырылған қызмет көрсету орталығына жүгініңіз. Өндіруші фирматұйықтандырылмаған резеткені пайдалану салдарынан туындаған зақымданулар үшін жауапты болмайды.
6. Қосуға арналған резетке қолжетімді жерде орналасуы тиіс.
7. Электр сымның қабдықтың ыстық бөліктерімен жанасуын болдырмаңыз. Оны үшкір бұрыштары мен жиектерінен алысырақ орналастырыңыз.
8. Қуатты сым зақымданған жағдайда, оны өндіруші немесе оның қызмет көрсету орталығы ауыстыруға тиіс.
9. Электр желісіне дұрыс қосылмаған жағдайда, Сіздің құрылғыңызға зиян келуі мүмкін. Ондай жағдайда құрылғыға

кепілдік бойынша қызмет көрсетілмейді. Құрылғыны электр желісіне қосуды авторландырылған қызмет көрсету орталығы жүзеге асыруы тиіс.

Электрлік жалғау сызбасы



Газ магистраліне қосу

ЕСКЕРТУ: Газ магистраліне қосудың барлық түрлерін тек газ қызметінің сертифицирталған және білікті қызметкерлері ғана орындауы тиіс.

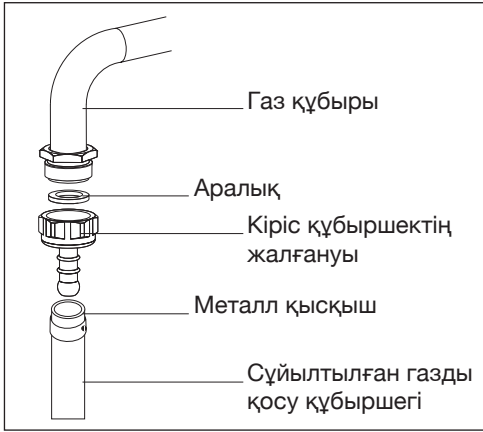
1. Пісіру бетінің газ қранына қосылуы ең қысқа қашықтық бойынша қамтамасыз етілуі тиіс. Біріктірілген жерлері саңылаусыз болуы тиіс. Құбыршек кемінде 40 см, ал максималды 125 см болуы тиіс.

2. Газдың шығуын тексерген кезде шақпақ, шірпі, тұтатылған темекі немесе басқа да жанатын заттарды қолдануға болмайды.

3. Қосылған жерге сабын көбігін жағыңыз. Газ шығып тұрған жағдайда, сабын көбігі жағылған аумақтарда көпіршіктер пайда болады.

4. Егер пісіру беті шкафтың немесе ашылатын жәшіктің үстіне орнатылса, плитаның астына арасы кемінде 15 мм болатын жылудан қорғауға арналған панель орнату қажет.

Сұйылтылған газ балонына қосу үшін:



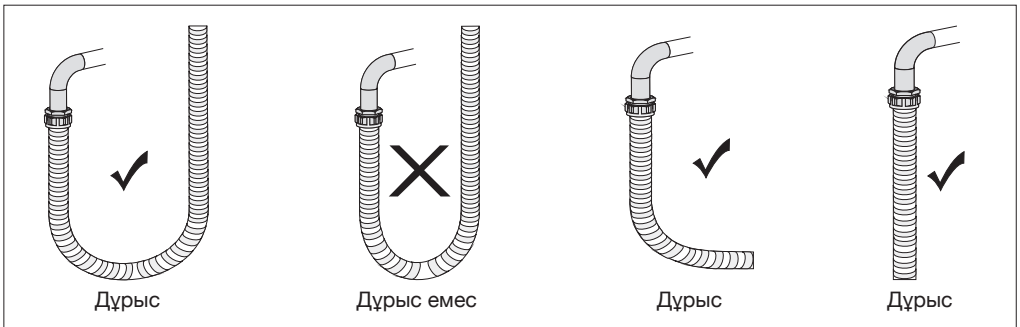
Сұйылтылған газ балонына (газ балоны) қосу үшін, сұйылтылған газ балонынан жеткізетін құбыршекке металл қысқышты бекітіңіз. Құбыршекті қайнаған суда ысыту арқылы, оның басын құрылғының артқы бөлігінде орналасқан кіріс құбыршектің жалғағышына бекітіңіз. Содан соң қысқышты құбыршектің ұшына орналастырыңыз және оны кілттің көмегімен тартып

тастаңыз. Қосуға қажетті аралық пен газ кіргізетін құбыршектің саңылауы суретте көрсетілген.

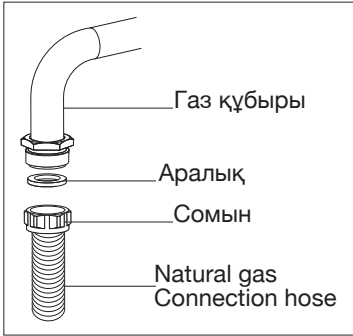
ЕСКЕРТУ: Сұйылтылған газ балонға бекітілген реттегіш 300 мм су.ст.болуы тиіс.

ЕСКЕРТУ: Өнімнің газ құбыршегі мен электр сымдары ыстық беттердің жанынан өткізілмеуі тиіс.

Газ жалғағышы қосұлы тұрған құрылғыны жылжыту газдың шығуына соқтыруы мүмкін.



Табиғи газ құбыры желісіне қосылу үшін;

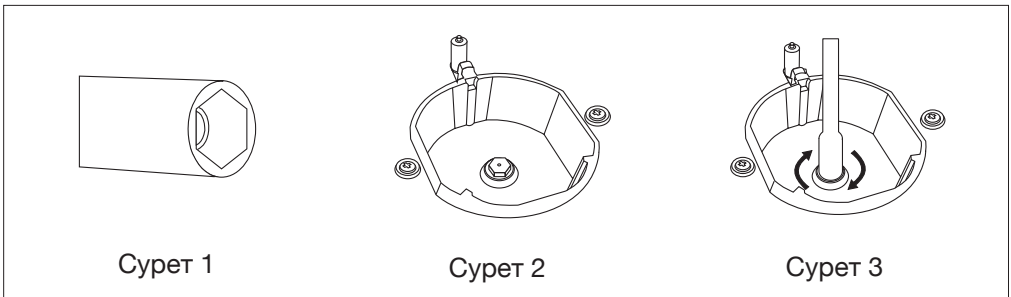


ЕСКЕРТУ: Табиғи газдың құбыр желісіне қосуды құзіретті қызмет жүзеге асыруы тиіс. Газ құбыр желісіне қосылу үшін құбыршек сомыны мен құрылғының кіріс келтеқосқышының арасына аралық орнатыңыз. Құбыршекті газ құбыры желісіне орнату үшін, сомынды бұраңыз. Жалғанған жерден газ шықпайтынына көз жеткізіңіз.

Газ конфоркаларының инжекторларын айырбастау.

ЕСКЕРТУ! Барлық жұмыстарды газ қызметінің өкілі жүзеге асыруы тиіс!

1. Инжекторды айырбастау үшін 1-суретте көрсетілгендей пішінді кілтті пайдаланыңыз.
2. Инжекторға қол жеткізу үшін газ конфоркасының қақ жарғыштың қақпағы мен корпусын ағытыңыз, 2-сурет.
3. Инжекторды 3-суретте көрсетілгендей кілттің көмегімен шешіңіз және жаңасына ауыстырыңыз.



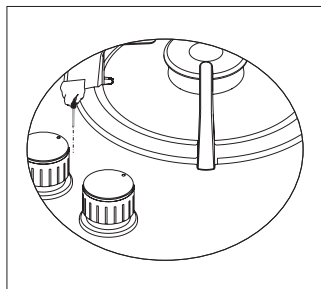
Сурет 1

Сурет 2

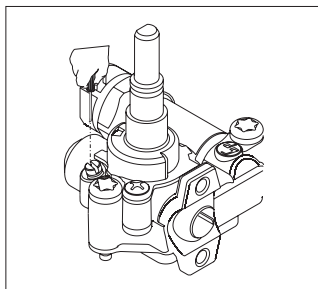
Сурет 3

4. Құрылғыдан басқару тұтқаларын ағытып алыңыз, 4-сурет. Бұрданы аздап бұрағышпен бұрай отырып, газ крандарының ортасына 5-суретте көрсетілгендей бұрап қойыңыз. Ағынды реттеу бұрандасын реттеу үшін пішіні сәйкес келетін бұрағышты

пайдаланыңыз. Балондағы газ үшін бұранданы сағат тілі бойынша бұраңыз. Табиғи газ үшін сағат тіліне қарсы бұраңыз. Оттың минималды ұзындығы 6-7 мм болуы тиіс. Құрылғыны баптау пайдаланылатын газ кранының типіне байланысты өзгеруі мүмкін.



4-сурет



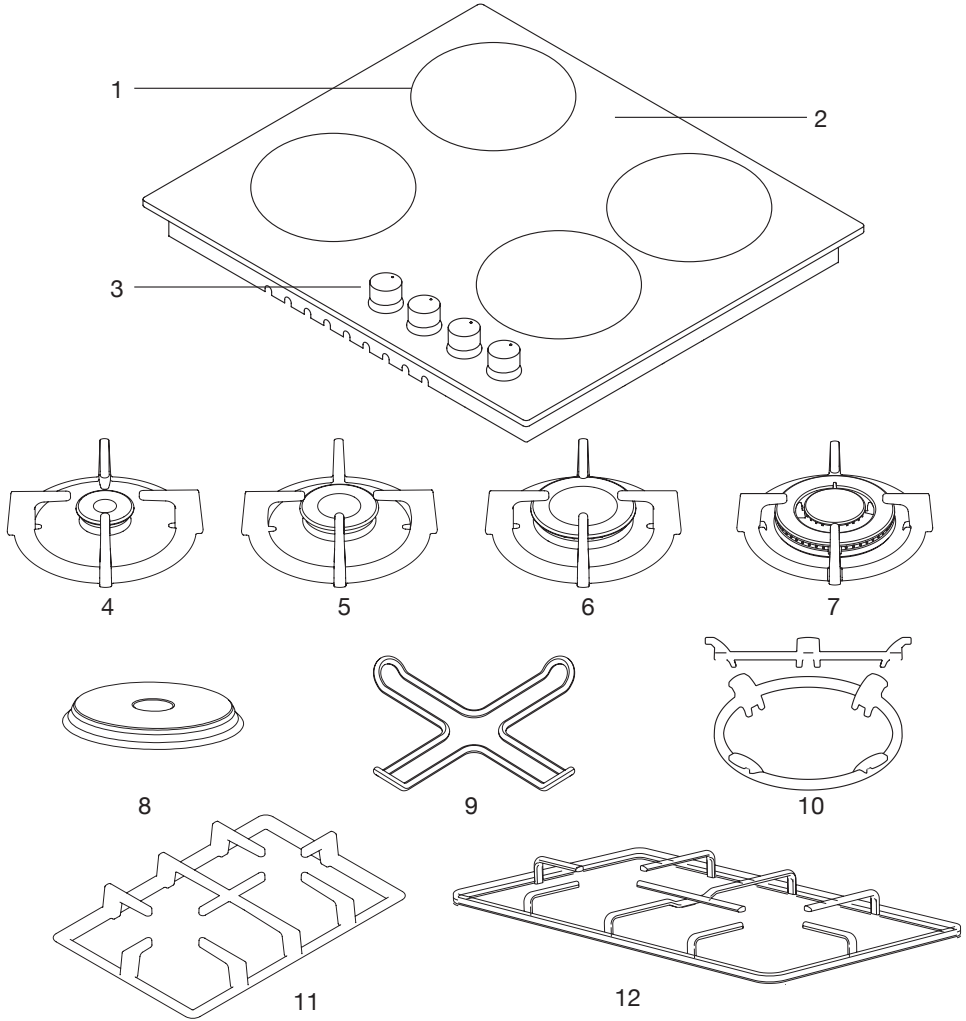
5-сурет

Бөлмені желдету

Сіздің өніміңіздің сенімді жұмыс істеуі үшін бөлменің жақсы желдетілуі міндетті шарт болып табылады. Егер бөлмеде қандай да бір желдеткіш саңылау болмаса, қосыша желдеткіш орнату қажет.

Бөлменің көлемі	Желдеткіш саңылау
5 м ³ кем	Кемі 100 см ²
5 м ³ -тан 10 м ³ дейін	Кемі 50 см ²
10 м ³ артық	қажет емес
жертөле қабатында	Кемі 65 см ²

ЖАБДЫҚТЫ СИПАТТАУ



- | | |
|----------------------------|---|
| 1. Конфорка | 7. Вок конфорка * |
| 2. Шыны немесе металл беті | 8. Электр конфорка * |
| 3. Басқару тұтқалары | 9. Кофе әзірлеуге арналған адаптер * |
| 4. Шағын конфорка | 10. Вок конфоркасына арналған адаптер * |
| 5. Орташа конфорка | 11. Шойын тор |
| 6. Үлкен конфорка | 12. Кіреуке тор |

*моделіне байланысты

Техникалық сипаттамалары

Электр конфорканы басқару панеліндегі тұтқаны қажетті деңгейге дейін бұрап қосуға болады. Плитаның қуаттылығы деңгейіне байланысты төмендегі кестеде келтірілген

Техникалық сипаттамалары	1 деңгей	2 деңгей	3 деңгей	4 деңгей	5 деңгей	6 деңгей
Ø80 мм электр конфорка	200 Вт	250 Вт	450 Вт	-----	-----	-----
Ø145 мм электр конфорка	250 Вт	750 Вт	1000 Вт	-----	-----	-----
Ø180 мм электр конфорка	500 Вт	750 Вт	1500 Вт	-----	-----	-----
Ø145 мм жедел электр конфорка	500 Вт	1000 Вт	1500 Вт	-----	-----	-----
Ø180 мм жедел электр конфорка	850 Вт	1150 Вт	200 Вт	-----	-----	-----
Ø145 мм электр конфорка	95 Вт	155 Вт	250 Вт	400 Вт	750 Вт	1000 Вт
Ø180 мм электр конфорка	115 Вт	175 Вт	250 Вт	600 Вт	850 Вт	1500 Вт
Ø145 мм жедел электр конфорка	135 Вт	165 Вт	250 Вт	500 Вт	750 Вт	1500 Вт
Ø180 мм жедел электр конфорка	175 Вт	220 Вт	300 Вт	850 Вт	1150 Вт	2000 Вт
Қуат кернеуі	220-240 В 50/60 Гц					

Инжектор, газ шығыны және инжектор кестесі

Конфорка Техникалық сипаттамалары	G20.20 mbar G25.25 mbar			G20.25 mbar		G20.13 mbar	
	Табиғи газ			Табиғи газ		Табиғи газ	
Вок конфорка (3,5)	Инжектор	1,40	мм	1,28	мм	1,60	мм
	Газ шығыны	0,333	м ³ /сағ	0,333	м ³ /сағ	0,333	м ³ /сағ
	Қуаттылығы	3,50	кВт	3,50	кВт	3,50	кВт
Вок конфорка (2,5)	Инжектор	1,15	Мм	1,06	Мм	1,35	Мм
	Газ шығыны	0,243	м ³ /сағ	0,243	м ³ /сағ	0,243	м ³ /сағ
	Қуаттылығы	2,50	кВт	2,50	кВт	2,50	кВт
Үлкен конфорка	Инжектор	1,15	мм	1,10	мм	1,45	мм
	Газ шығыны	0,276	м ³ /сағ	0,276	м ³ /сағ	0,276	м ³ /сағ
	Қуаттылығы	2,90	кВт	2,90	кВт	2,90	кВт

Орташа конфорка	Иенжектор	0,97	мм	0,92	мм	1,10	мм
	Газ шығыны	0,162	м ³ /сағ	0,162	м ³ /сағ	0,162	м ³ /сағ
	Қуаттылығы	1,70	кВт	1,70	кВт	1,70	кВт
Шағын конфорка	Иенжектор	0,72	мм	0,70	мм	0,85	мм
	Газ шығыны	0,96	м ³ /сағ	0,96	м ³ /сағ	0,96	м ³ /сағ
	Қуаттылығы	0,95	кВт	0,95	кВт	0,95	кВт

Конфорка Техникалық сипаттамалары	G30.28-30 mbar G31.37 mbar			G30. 50 mbar		G30.37 mbar	
	Сұйылтылған газ						
Вок конфорка (3,5)	Иенжектор	0,96	мм	0,76	мм	0,96	мм
	Газ шығыны	254	г/сағ	254	г/сағ	254	г/сағ
	Қуаттылығы	3,50	кВт	3,50	кВт	3,50	кВт
Вок конфорка (2,5)	Иенжектор	0,82	Мм	0,73	Мм	0,78	Мм
	Газ шығыны	182	г/сағ	182	г/сағ	182	г/сағ
	Қуаттылығы	2,50	кВт	2,50	кВт	2,50	кВт
Үлкен конфорка	Иенжектор	0,85	мм	0,75	мм	0,85	мм
	Газ шығыны	211	г/сағ	211	г/сағ	211	г/сағ
	Қуаттылығы	2,90	кВт	2,90	кВт	2,90	кВт
Орташа конфорка	Иенжектор	0,65	мм	0,60	мм	0,65	мм
	Газ шығыны	124	г/сағ	124	г/сағ	124	г/сағ
	Қуаттылығы	1,70	кВт	1,70	кВт	1,70	кВт
Шағын конфорка	Иенжектор	0,50	мм	0,43	мм	0,50	мм
	Газ шығыны	69	г/сағ	69	г/сағ	69	г/сағ
	Қуаттылығы	0,95	кВт	0,95	кВт	0,95	кВт

ЕСКЕРТУ! Форсункада жазылған диаметр мәндері үтірсіз нұсқалған. Мысалы: Диаметр 1,70 мм инжекторда 170 деп нұсқалған.

ЕСКЕРТУ! Авторланырылған қызмет көрсету мамандарына баптау үшін кестедегі деректерді ескеру қажет. Баптауларда жіберілген қандай да бір қателердің салдарынан туындаған кез келген мәселелер үшін өндіруші жауапты болмайды.

ЕСКЕРТУ! Өнімнің сапасын арттыру үшін техникалық сипаттамалар алдын ала хабардар етпестен өзгертілуі мүмкін.

ЕСКЕРТУ! Құрылғы стандарттарға сәйкес жасалған. Кестелердегі мәндердің қоршаған ортаға байланысты айырмашылықтары болуы мүмкін.

ЭЛЕКТР ЖЕЛІСІНЕ ҚОСЫЛУ

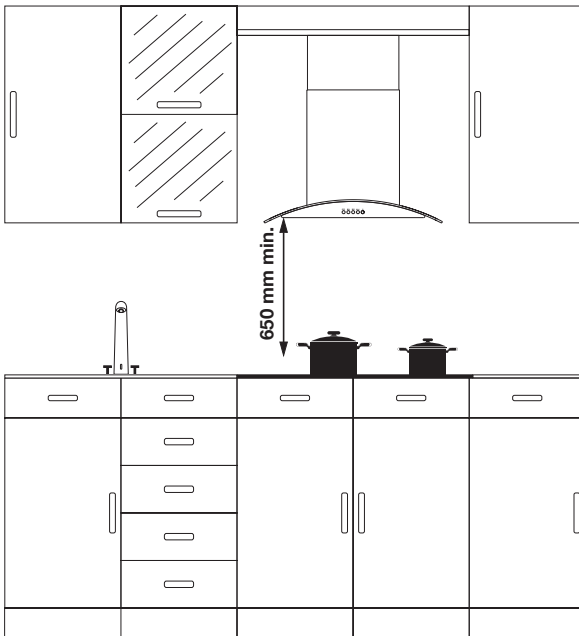
Құрылғыны қоспастан бұрын, электр монтаждың дұрыстығын тексеріңіз. Өндіруші авторландырылмаған тұлғалармен жүзеге асырылған операциялардың нәтижесінде келтірілген зиян үшін жауапты болмайды.

ЕСКЕРТУ! Құрылғыны орнататын жерді дайындаңыз. Электр және газ бойынша қажетті барлық коммуникациялар жеткізіліп тұруы тиіс.

ЕСКЕРТУ! Құрылғыны орнату электрқұрылғыларға қатысты жергілікті стандарттардың ережелеріне сәйкес орындалуы тиіс.

ЕСКЕРТУ! Орнатпас бұрын құрылғыда зақымданулардың болмауын тексеріңіз. Егер электр сымына зақым келген болса, пісіру бетін орнатпаңыз.

Монтаждау үшін дұрыс орын



Құрылғының дизайны нарықтағы қолжетімді үстел бетіндегі тақтайларға сәйкес жасалған. Асүй қабырғалары мен жиһаз арасында қауіпсіз қашықтық қалдырған жөн. Егер құрылғының үсіңгі жағына ауа сорғыш орнатылатын болса, монтаждау биіктігі бойынша өндірушінің талаптарын сақтаңыз. (мин. 65 см.) Үстел үстіндегі тақтайдағы саңылаулар пісіру панелінің монтаждау көлемдеріне сәйкес келуі тиіс.

Орнату

1. Пісіру бетінен торларды, конфоркалардың қақпақтарын және қақ жарғыштарды алып тастаңыз.

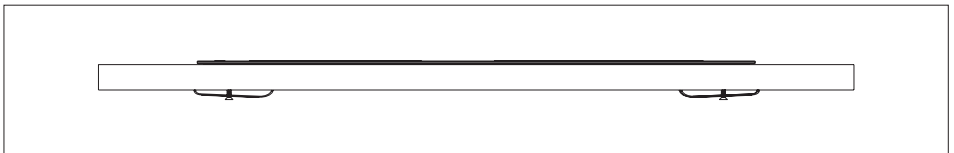
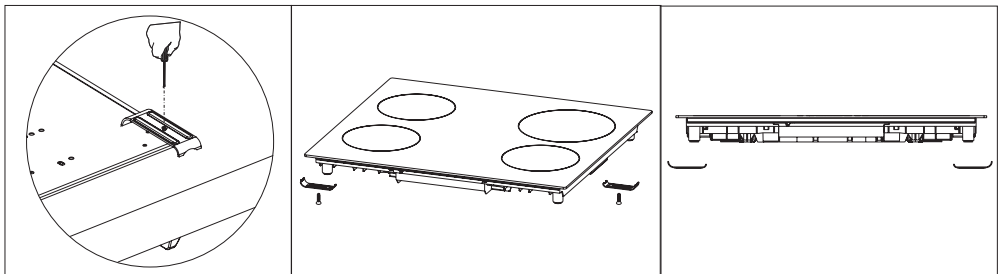
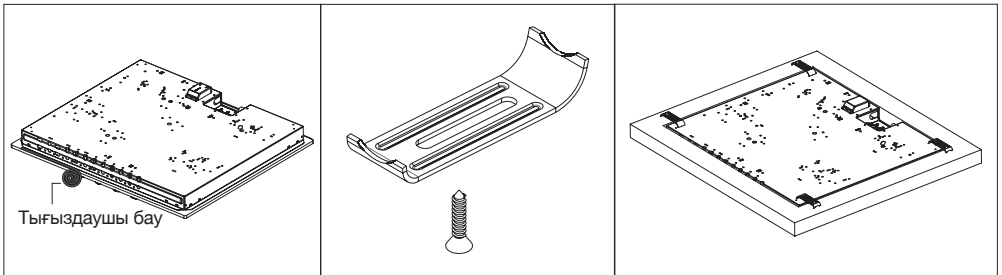
2. Панельді бетін төмен қаратып аударыңыз және тегіс жерге қойыңыз.

3. Панель мен үстел үстіндегі тақтай арасына бөгде заттар мен сұйықтықтардың қалып қоюының алдын алу үшін жиынтықтағы тығыздаушы бауды панельдің төменгі бөлігінің жиектеріне орнатыңыз.

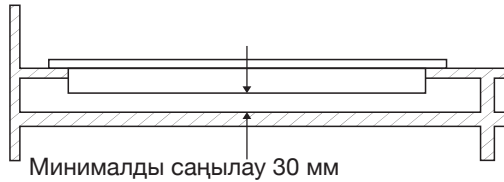
4. Пісіру бетін аударып, үстел үстіндегі тақтайға орнатыңыз.

5. Қысқыш пен сомындарды пайдалана отырып, пісіру беттерін үстел үстіндегі тақтайға бекітіңіз.

Орнату сызбасы



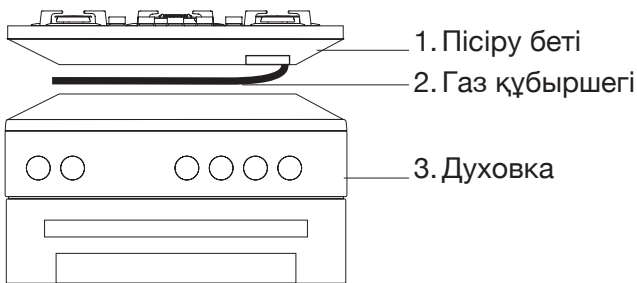
6. Құрылғыны суырманың үстіне орнатқан жағдайда, егер оның төменгі бөлігі қолжетімді болып қала беретін болса, оны ағаш сөремен бөлген жөн.



7. Құрылғыны шкафқа монтаждаған кезде, пісіру бетін шкафтан оқшаулау үшін, жоғарыда көрсетілген суреттегідей сөре орнату қажет. Егер пісіру беті кіріктірілген духовканың үстіне орнатылатын болса, ондай қажеттілік жоқ.

8. Егер сіздің құрылғыңыз қабырғаның жанына орнатылса, қабырға мен плитаның арасындағы минималды қашықтық 50 мм болуы тиіс.

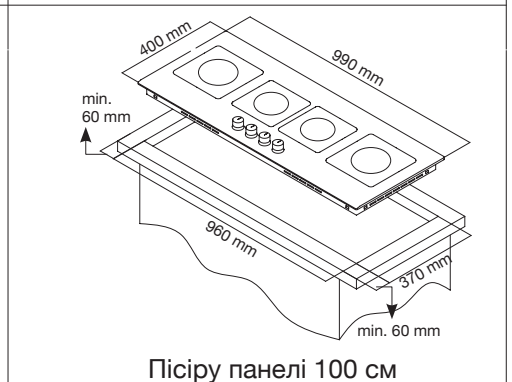
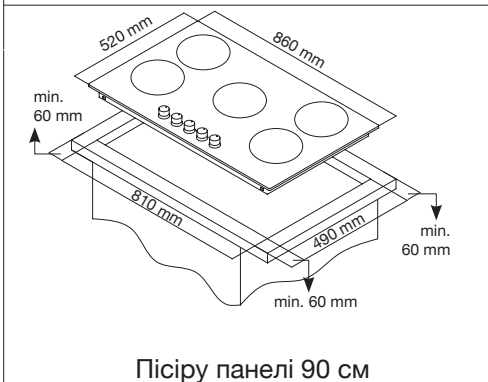
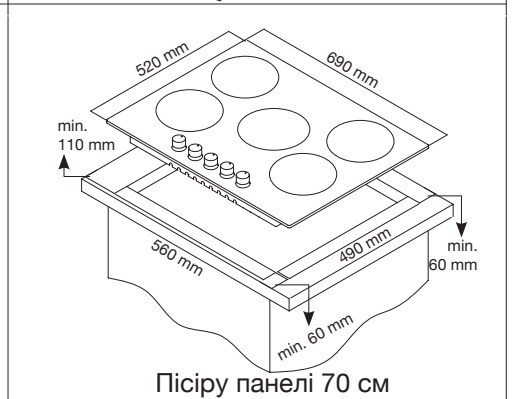
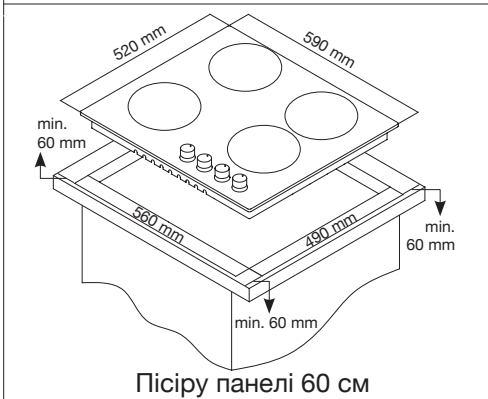
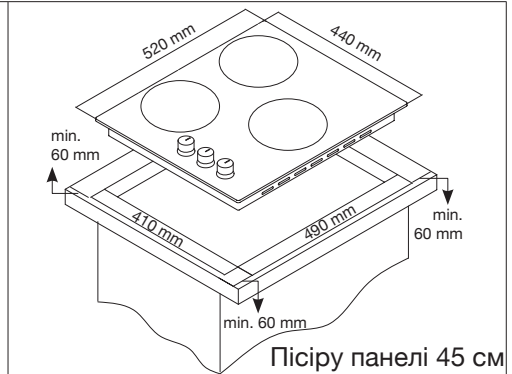
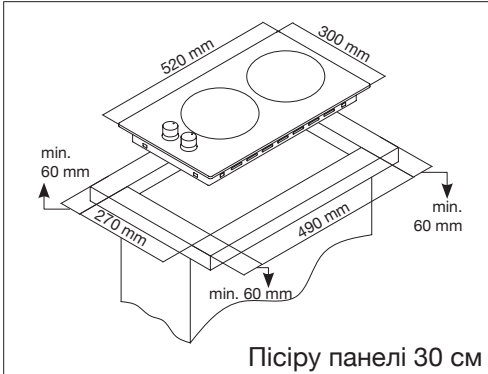
Егер плитаның астында кіріктірілген духовка тұрса



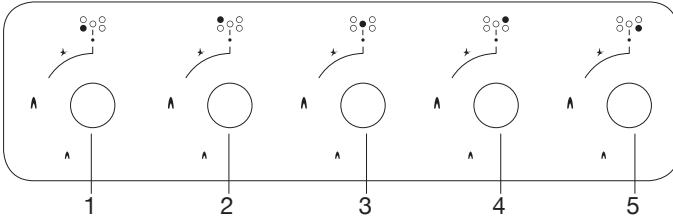
Газ құбыршегі духовкаға, үшкір жиектер мен бұрыштарға жанаспауы тиіс, оны тартуға және майыстыруға болмайды.

Құрылғылардың аумақты көлемдері

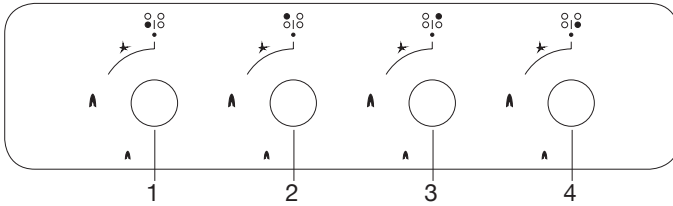
Пісіру бетін монтаждағанда және оны үстел үстіндегі тақтайға монтаждау үшін орын дайындағанда ұсынылған көлемдерді ұстаныңыз.



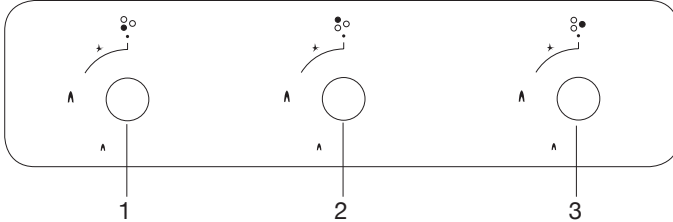
Басқару панельдері 70-90 см және 100 см пісіру беттері



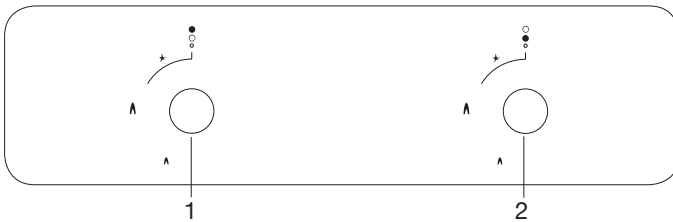
60 см пісіру беттері



45 см пісіру беттері



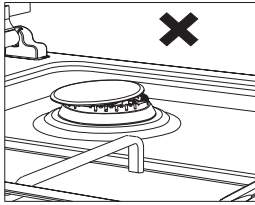
30 см пісіру беттері



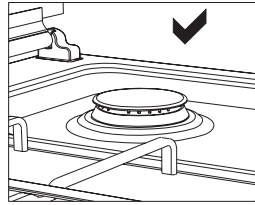
ЕСКЕРТУ! Нұсқалған басқару панелі тек үлгі ретінде келтірілген.
Сіздің құрылғыда орнатылған басқару панелін назарға алыңыз.

Пісіру бетін пайдалану

1. Құрылғыны пайдаланар алдында конфоркалардың қақпақтары дұрыс орналасқанын тексеріңіз (7-сурет).



6-сурет

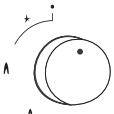


7-сурет

2. Газ шұралары бұғаттаушымен жабдықталған. Сол себепті конфорканы қосқан кезде қолыңызды басыңыз және қранды ашқан немесе жапқан уақытта басулы күйде ұстаңыз.

● Жабу 🔥 Толық ашу 🔥 Жартылай ашу

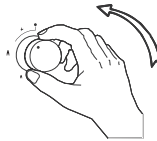
3. Автоматты электртұтатқышы бар модельдерде, пайдаланар алдында пісіру беті электр желісіне қосулы тұрғанына көз жеткізіңіз. Газ конфоркаларын тұтату келесідей жүзеге асырылады.



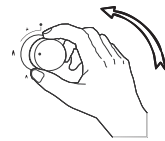
Пісіру бетінің тұтқасы жабық күйде



Пісіру бетін тұтату үшін, алдымен тұтқаны басыңыз



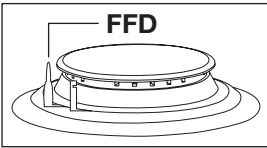
Тұтқа басулы күйде болған кезде, электртұтатқыш қосылады



Тұтқаны басулы күйде ұстап тұрып және солға қарай бұра отырып, қажетті от мөлшерін қамтамасыз етуге болады

4. Торлар панельге тығыз орналасуын қадағалаңыз. Дұрыс орнатылмаған тор азық-түліктері бар ыдыстың ауып кетуіне соқтыруы мүмкін.

5. Газ қадағалаушысы бар модельдерде, нұсқаулыққа сәйкес от сөнгеннен кейін, қолыңызды тұтқадан босатпай, оны 5-10 секунд ұстап тұрыңыз. Қорғаныш механизмі сөнеді және конфорканың жұмыс күйін қамтамасыз етеді.



6. Конфорканың газ қадағалаушысы*
От сөнген бойда, лезде іске қосылады.

7. Кофеге немесе вокқа (опция) арналған
адаптерларді* қолданған кезде, олар панель

торында дұрыс орнатылғандығына көз жеткізіңіз.

8. Пісіру панелін пайдаланған кезде, мүмкіндігінше тұтқалары
ұзын, торда нық тұратын кәстрөлдерді пайдаланыңыз.

Төменде келтірілген кестеде тиісті конфоркалармен пайдалануға
ұсынылатын кәстрөлдердің диаметрлері келтірілген.

9. Торлар пісіру панелінде дұрыс орнатылғанын тексеріңіз.
Егер тор дұрыс орнатылмаған болса, бұл ыдыстың ауып кетуіне
соқтыруы мүмкін.

10. Қызып кетпеуі үшін, кәстрөлдер мен табаларды тұтқалары
конфорканың үстінде тұрмайтындай етіп орналастырыңыз.

11. Кәстрөлдер мен табаларды қажетті азық-түлік көлеміне
қарай таңдаңыз.

12. Конфорка көлемі бойынша кәстрөлдің түбімен сәйкес келуі
тиіс. Отты кәстрөлдің түбінен асып кетпейтіндей етіп реттеңіз.

13. Түбі нық тұрмайтын және газ панелінің бетіне оңай ауып кетуі
мүмкін кәстрөлдерді пайдаланбаңыз.

14. От жанып тұрған пісіру панелінің үстіне бос кәстрөлдер мен
табаларды қоймаңыз.

15. Әр жолы пайдаланып болған соң, конфоркаларды сөндіріңіз.

16. Пластик және басқа да ыстыққа төзімсіз ыдыстарды
пайдаланбаңыз.

17. Үстіне кәстрөл немесе таба қойылмаған күйде конфоркаларды
пайдаланбаңыз.

18. Кәстрөлдер мен табалардың қақпақтарын пісіру бетіне
қоймаңыз.

19. Кәстрөлді басқа конфоркаға қойғыңыз келгенде, оны
жылжытпаңыз, көтеріп, орынын ауыстырыңыз.

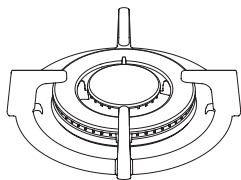
20. Майды қыздырған кезде, ыдысты қақпақпен жабыңыз.

21. Кәстрөлге оның өз көлемінің үштен бір бөлігінен асатын мөлшерде
май құймаңыз. Май қызып жатқанда кәстрөлді қараусыз қалдырмаңыз.
Шамадан тыс қызып кеткен май өртке себеп болуы мүмкін.

Вок конфорка

Вок конфорка астың тез дайын болуын қамтамасыз етеді. Ол үш қатар отпен жанады. Бұл жылудың кәстрөл түбіне біркелкі таралуын қамтамасыз етеді.

Вок конфоркасы жоғары температурада асты тез дайындау үшін мінсіз әдіс болып табылады. Вок конфоркасында қарапайым кәстрөлді пайдалану қажет болғанда, плитадан Вок (опция) кәстрөлге арналған түпқойманы алып тастау қажет.



Кәстрөлдердің көлемдері

Келесі кестеде ұсынылатын түптердің диаметрлері келтірілген.

Шыныдан жасалған пісіру панельдері	30 см панель	45 см панель	60 см бүйірінен басқару	60 см алдыңғы жағынан басқару	70 см алдыңғы жағынан басқару	90 см алдыңғы жағынан басқару
Шағын конфорка	12-18 см	12-18 см	12-18 см	12-18 см	12-18 см	12-18 см
Орташа конфорка	---	18-20 см	18-20 см	18-20 см	18-20 см	18-22 см
Үлкен конфорка	18-24 см	22-24 см	22-24 см	22-24 см	22-24 см	22-26 см
Вок конфорка	24-26 см	-----	24-26 см	24-26 см	24-26 см	26-30 см
Металлдан жасалған пісіру панельдері	30 см панель	45 см панель	60 см бүйірінен басқару	60 см алдыңғы жағынан басқару	70 см алдыңғы жағынан басқару	90 см алдыңғы жағынан басқару
Шағын конфорка	12-18 см	12-18 см	12-18 см	12-18 см	12-18 см	12-18 см
Орташа конфорка	---	18-20 см	18-20 см	18-20 см	18-20 см	18-22 см
Үлкен конфорка	18-24 см	22-24 см	22-26 см	22-24 см	22-24 см	22-26 см
Вок конфорка	24-26 см	24-26 см	24-26 см	24-26 см	24-26 см	26-32 см

ЕСКЕРТУ: Пісіру бетінде пайдалануға арналған ыдыстың минималды диаметрі 120 мм болуы тиіс.



Сұйықтықтың тасып кетуі пісіру панелінің бетіне зақым келтіруі және өрт тудыруы мүмкін



Түбі ойық немесе дөңес ыдыстарды пайдаланбаңыз



Егер кәстрөлдің диаметрі конфорканың диаметрінен кем болса, бұл қуатты жоғалтуға себеп болады



Тек түбі жалпақ кәстрөлдер мен табаларды ғана пайдаланыңыз

Техникалық қызмет көрсету және тазарту

Техникалық қызмет көрсету немесе тазарту алдында, резеткеден штепсельдік айырды суырып алыңыз. Егер панель ыстық болса, оның суығанын күтіңіз.

1. Құрылғының ұзақ мерзім қызмет етун қамтамасыз ету үшін, оған тұрақты түрде техникалық қызмет көрсетіп және тазалап тұру керек.

2. Панельді тазарту үшін қылшақ, сымды губка немесе пышақ сияқты қатты заттарды пайдаланбаңыз. Абразивті заттарды, қышқылдарды немесе күйдіргіш жуу құралдарын пайдаланбаңыз.

3. Сабынды ерітіндіге батырылған майлықпен панельді сүртіңіз және сумен шайыңыз, содан соң мұқият құрғатып сүртіңіз.

4. Шыны беттерді шыны тазартуға арналған арнайы құралдармен тазалаңыз. Шыны беттердегі сызықтар шынының жарылуына алып келеді, сол себепті оларды тазалау үшін абразивті тазалау құралдарын немесе үшкір металл қырғыштарды пайдаланбаңыз.

5. Панельді бутазаалағышпен тазаламаңыз.

6. Қақ жарғыштар мен конфоркалардың қақпақтарын сабынды сумен жуыңыз және жұмсақ қылшақтың көмегімен тазартыңыз.

7. Панельді тазалау үшін ешқашан қышқылдарды, еріткіштерді, керосинді және басқа да жанғыш заттарды пайдаланбаңыз.

8. Плитаның пластик және алюминий бөлшектерін ыдыс жуғыш машинада жумаңыз.

9. Плитаны бетіне төгілген лимон қышқылынан, сірке судан, тұздан, коладан және басқа да қышқылды және сілтілі заттардан мейлінше тез тазалаңыз.

10. Уақыт өте келе басқару панелінің тұтқалары қиын бұралуы мүмкін, оларға қызмет көрсету үшін қызмет көрсету орталығына жүгініңіз.

Ақауларды жою

Техникалы қызметке жүгінер алдында, Сіз келесі тармақтарды тексере отырып, құрылғыда туындаған мәселелерді шеше аласыз.

Ақаулар

Егер сізде мәселе туындаса, алдымен төменде келтірілген кестеге қараңыз және ұсынылған әрекеттерді орындап көріңіз.

Ақау	Мүмкін болатын себеп	Жою әдісі
Тұтанбайды	Ұшқын жоқ	Қуат көзіне қосулы болуын тексеріңіз
	Конфорка қақпағы дұрыс орнатылмаған	Қақпақты дұрыс орнатыңыз
	Газ берілуі жабық	Газ жеткізгішті толық ашыңыз
Дұрыс тұтанбайды	Газ берілуі толық ашылмаған	Газ жеткізгішті толық ашыңыз
	Конфорка қақпағы дұрыс орнатылмаған	Қақпақты дұрыс орнатыңыз
	Конфорканың электртұтандырғышы ластанған	Ластануды жойыңыз
	Пісіру беті ылғалды	Бетін кептіріңіз
	Алауды қақ жарғыш саңылаулары бітелген	Алауды қақ жарғышты тазалаңыз
Жану немесе тұтату кезінде шу бар	Конфорка қақпағы дұрыс орнатылмаған	Қақпақты дұрыс орнатыңыз
Жұмыс істеп тұрғанда от өшіп қалады	Жиктер алаудың бөгде материалдарымен бітелген	Құрылғыны алауды бақылап тұрып тазалаңыз
	Азық-түлік төгілді	Пісіру панелін сөндіріңіз. Оны тазалаңыз, содан соң қайта қосыңыз.
	Қатты ауа ағыны алауды өшіреді	Желді жойыңыз. 1 минут күтіңіз және конфорканы қайта тұтатыңыз
Алау сары түсті	Алауды қақ жарғыш саңылаулары бітелген	Алауды қақ жарғышты тазалаңыз
	Басқа газ пайдаланылуда	Пайдаланылып жатқан газды тексеріңіз
Алау тұрақсыз	Конфорка қақпағы дұрыс орнатылмаған	Қақпақты дұрыс орнатыңыз
Газдың иісі бар	Конфоркалар жабылмаған	Барлық конфоркалардың жабық болуын тексеріңіз
	Қосылған газ балон газ шығарып тұр	Саңылаусыз біріктірілгеніне көз жеткізіңіз
Электртұтандырғыш жұмыс істемейді	Тұтандыру тығындарының ұштықтары немесе корпусы бітелген	Газ конфоркаларының тұтандыру тығындарының ұштықтарын немесе корпусын тазалаңыз
	Газ конфоркасының жиктері бітелген	Газ конфоркасының жиктерін тазалаңыз

Тасымалдау ережелері

1. Құрылғыны түпнұсқа қаптамасында тасымалдаңыз.
2. Тиеу, түсіру және тасымалдау барысында абай болыңыз.
3. Жылжыту және тасымалдау алдында қаптама сенімді жабылғанына көз жеткізіңіз.
4. Қаптаманы оған зиян келтіруі мүмкін сыртқа факторлардан қорғаңыз (ылғал, су және т.б.).
5. Абай болыңыз, құрылғыны тасымалдау барысында соққылардан қорғаңыз.

Тұрмыстық техниканы жою

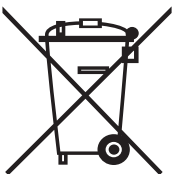
Бұл құрылғыда қауіпті және тыйым салынған заттар жоқ. Электрлі және электронды жабдықтардың қалдықтары туралы ЕС Директивасы ережелерінің талаптарына сәйкес келеді.

Бұл өнім жоғарысапалы бөлшектерден және материалдардан жасалған, оларды қайта өңдеп, қайта қолдануға болады.

Қызмет ету мерзімі өткен кезде құрылғыны тұрмыстық қалдықтармен бірге лақтырып тастамаған жөн. Оны өңдеуге арналған электрлі және электронды жабдықтардың қалдықтарын жинау пунктіне тапсыру қажет.

Қоршаған орта мен табиғатты істен шыққан бұйымдарды қайта өңдеу арқылы қорғауға көмектесіңіз.

Қаптама



Қаптама материалдары біздің ұлттық заңнамаға сәйкес қайта өңделетін материалдардан жасалған. Қаптама материалдарын тұрмыстық және басқа да қалдықтармен бірге лақтырып жібермеңіз, оларды қаптамаларды қабылдау пунктіне тапсырыңыз.

Балалардың қауіпсіздігі мақстында, қуат көзіне қосу мүмкіндігінің алдын алу үшін, бұл өнімді жояр алдында электр сымдарды кесіп тастау керек.

Шығарған ел –Түркия

Өндіруші:

«СЕРСИМ ДАЙАНЫКЛЫ ТЮКЕТИМ МАЛЛАРЫ САНАЙИ ВЕ ТИДЖАРЕТ КОЛЛЕКТИФ ШИРКЕТИ ИБРАХИМ ВЕ МУСТАФА УСТАОГОЛУ»,

Заңды мекен-жайы: Кайсери Сербест Бёлгеси Анбар SB Махаллеси Джадде Серсим ситеси KSR-125/130, Апатрман №17, Меликгази, Кайсери, Түрция
 Өндіріс мекен-жайы: Сербест Бёлге, 12 Джадде №18, Меликгази, Кайсери, Түрция

«SERSIM DAYANIKLI TUKETIM MALLARI SANAYI VE TICARET KOLLEKTIF SIRKETI IBRAHIM VE MUSTAFA USTAUGLU»,

Заңды мекен-жайы: Kayseri Serbest Bolgesi, Anbar SB Mahallesi, 12 Cadde, Sersim Sitesi, KSR-125/130, Apartman №17, Melikgazi, Kayseri, Turkiye
 Өндіріс мекен-жайы: Serbest Bolge 12. Cadde No.18, Melikgazi, Kayseri, Turkiye

Сатып алушылардан шағымдар қабылдауға құзіретті импорттаушы / ұйым: ЖШС «Foreign Trade company», БСН 190940025588. Заңды / нақты мекен-жайы: Қазақстан Республикасы Алматы, Назарбаев даңғылы, 65 үй, 519 кеңсе.

Кепілдік жағдай туындаған болса, авторландырылған қызмет көрсету орталықтарына жүгіну қажет. Сіздің қаладағы авторландырылған қызмет көрсету орталықтарының тізімі осы пайдалану нұсқаулығында көрсетілген.

Егер Сіздің қалада авторландырылған қызмет көрсету орталығы болмаса, тауарды сатып алған дүкенге жүгінуіңіз керек. Сіздің қаладағы қызмет көрсету туралы ақпаратты келесі телефон нөмірлері арқылы біле аласыз:

8 (771) 748 20 21

Жарамдылық мерзімі – 12 ай
 Қыет мерзімі – 10 жыл
 Тегін кепілдік қызмет - Кепілдік мерзімі аяқталған күннен бастап - 4 жыл
 Дайындалған күні – өнімде нұсқалған

