

# **xiaomi** Smart Ceiling Light D40 User Manual



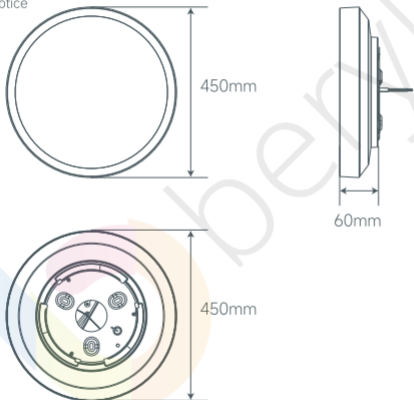
Read this manual carefully before use, and retain it for future reference.

## Product Overview

---

**The drilling hole diameter for the light is 6 mm.**

Package Contents: Xiaomi Smart Ceiling Light D40, expansion screw × 3, user manual, warranty notice



**Note:** Illustrations of product and accessories in the user manual are for reference purposes only. Actual product and functions may vary due to product enhancements.

# Pre-Installation Precautions

---

## Warning: Risk of electric shock!

### Precautions:

- The installation of this product is limited to concrete ceilings only, and it is strictly prohibited to install it on ceilings that are made of other materials.
- Before installing this light, please ensure that the power is cut off, and that the weight of this light does not exceed the load-bearing capacity of the ceiling.
- In order not to compromise the dust-resistant performance of this product, it is recommended to choose IP50 junction box as a priority when installing this product.
- During installation, please do not touch the surface of the unprotected lampshade with your fingers to avoid causing sweat-induced light spots. In case any surface spots are caused by contamination, use a lint-free dry cloth and apply moderate pressure to wipe it clean.
- "🏠" indicates that this light is intended for indoor use only, please do not use it in wet environments (for example, the bathroom) or in environments lacking rainproof and waterproof measures.
- "⚡" indicates "Caution: Risk of electric shock"; during installation, replacement, or disassembly of this light, it is crucial to ensure that the power supply is completely disconnected. Failure to do so may result in electric shock to individuals, personal injury, or even death!
- To prevent damage to this light and avoid potential safety risks, do not expose this light to water and heat sources when using it, and never cover the lampshade.
- This light can be controlled by an app on your mobile. Turning off this light by the app does not cut it off from the electricity, hence, do not touch, replace, or disassemble this light in this case. Otherwise, it may cause an electric shock, personal injury, or even death!
- The light source contained in this luminaire shall only be replaced by the manufacturer or his service agent or a similar qualified person.

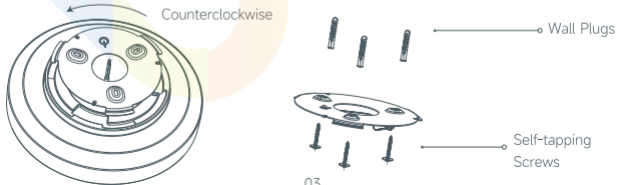
- The safety rope is solely intended for providing supplementary fixation of this light and shall not be utilized for suspending this light over an extended period of time (exceeding 30 minutes).
- The light shall be installed by a qualified electrician, and the wiring must comply with the IEEE electrical standards or national standards.
- Type Z attachment: The external flexible cable or cord of this luminaire cannot be replaced; if the cord is damaged, the luminaire shall be destroyed.
- This light is suitable for traditional mechanical wall switches, and the smart switches with dimming function may not be compatible with it.
- This light is fragile, please do not drop it during installation.

## Installation (Please note that only a qualified person may install this light!)

---

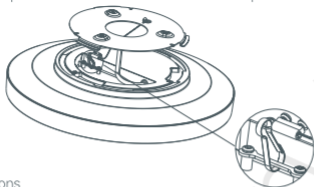
### 1. Drilling holes

- Open the package to take out this light and the accessories pack.
- Rotate this light counterclockwise to detach the chassis. Utilize an impact drill provided with a 6 mm diameter bit to drill holes of  $\geq 30$  mm depth in the concrete ceiling, and insert the wall plug section of the three expansion screws into these holes.
- Take out the cross round head self-tapping screws in the accessories pack, screw and tighten the three self-tapping screws into the wall plug corresponding to the chassis mounting holes to complete the chassis installation.



## 2. Installing the safety rope

Hang the safety rope hook on the chassis on the metal parts of this light.



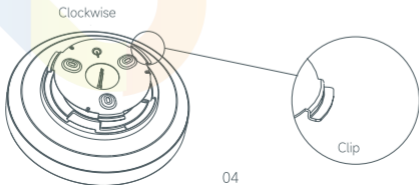
## 3. Wire Connections

**CAUTION:** Please make sure to cut off the power before proceeding with the following connection operations.

Cut off any excess inlet wires from the ceiling, ensuring that the wires are positioned closely to the ceiling. Proceed to securely and correctly connect the reserved wires of the light body with those of the ceiling. The black reserved wire is the live wire, while the white one is the neutral wire.

## 4. Installing the light

Align the notch of this light with the clip protruding from the chassis, and rotate this light clockwise in the direction as shown in the diagram until it snaps into place to complete the installation.



## How to Use

---

**Turning on/off:** Use the wall switch or the Xiaomi Home app to turn this light on/off.

**Change modes:** While this light is turned on, quickly turn it off and then turn it back on using the wall switch within three seconds; this will allow you to cycle through different modes. Alternatively, you can also change the modes using the Xiaomi Home app.

### Resetting the light:

Rapidly turn on and off the light with the wall switch seven times within seven seconds and the light will blink three times, indicating that it is restored to the factory settings.

## Specifications

---

Model: 9290041705

Name: Ceiling Light

Application Area: Indoor

Color Temperature: 2700–5700 K

Power Factor: > 0.9

Rated Input: 100–240 V~, 50/60 Hz, 0.52 A

Rated Input Power: 45 W  
(0.58 W/LED module × 72)

Operating Temperature: -20°C to 35°C

Item Dimensions: Ø450 × 60 mm

Net Weight: Approx. 1.7 kg

Color: White

IP Rating: IP50

Wireless Connectivity:

Wi-Fi IEEE 802.11 b/g/n 2.4 GHz, Bluetooth 4.2

Bluetooth Maximum Output Power:

2402–2480 MHz, 20 dBm

Wi-Fi Maximum Output Power:

2412–2472 MHz, 20 dBm

## Connecting with the Xiaomi Home App

---

Scan the QR code to download and install the app. You will be directed to the connection setup page if the app is installed already. Or search for "Xiaomi Home" in the app store to download and install it. Open the Xiaomi Home app, tap "+" on the upper right, and then follow the instructions to add your device.



31548994

### Note:

The version of the app might have been updated, please follow the instructions based on the current app version.

## Connecting the Product with Google Assistant

---

1. Open the Google Home app and go to the Devices page.
2. Tap Add > Works with Google Home.
3. Search for Xiaomi Home, tap Xiaomi Home, and follow the instructions to log in to your Xiaomi Account and link your product with the Google Account.

**CAUTION:** Please refer to the specific operating instructions for the current version of the Google Home app, as it may undergo periodic updates that introduce new features and improvements.

## Connecting the Product with Amazon Alexa

---

1. Tap the Amazon Alexa app, tap More > Skill & Games, search for Xiaomi Home, select the right skill, tap ENABLE TO USE and log in with your Xiaomi Account.
2. After successful connection, follow the on-screen instructions and then you can control the Xiaomi product from Amazon Alexa.

CAUTION: Please refer to the specific operating instructions for the current version of the Amazon Alexa app, as it may undergo periodic updates that introduce new features and improvements.

## Regulatory Compliance Information

---



### WEEE Disposal and Recycling Information

All products bearing this symbol are waste electrical and electronic equipment (WEEE as in directive 2012/19/EU) which should not be mixed with unsorted household waste. Instead, you should protect human health and the environment by handing over your waste equipment to a designated collection point for the recycling of waste electrical and electronic equipment, appointed by the government or local authorities. Correct disposal and recycling will help prevent potential negative consequences to the environment and human health. Please contact the installer or local authorities for more information about the location as well as terms and conditions of such collection points.



## EU Declaration of Conformity

Hereby, Xiaomi Communications Co., Ltd. declares that the radio equipment type 9290041705 is in compliance with Directive 2014/53/EU. The full text of the EU declaration of conformity is available at the following internet address:  
<http://www.mi.com/global/service/support/declaration.html>

**Importer:**

**Beryko s.r.o.**

Pod Vinicemi 931/2, 301 00 Plzeň

[www.beryko.cz](http://www.beryko.cz)

Manufacturer: Xiaomi Communications Co., Ltd.

Address: #019, 9th Floor, Building 6, 33 Xi'erqi Middle Road,

Haidian District, Beijing, 100085, China

For further information, please go to [www.mi.com](http://www.mi.com)

User Manual Version: V1.0