

# User Manual

---

Monitor  
DQ27N1 V3

**DEXP**

# Contents

<b>Intended Use</b> .....	<b>3</b>
<b>Safety Precautions</b> .....	<b>3</b>
<b>Device Diagram</b> .....	<b>4</b>
<b>Assembly and Placement</b> .....	<b>5</b>
Monitor Stand Assembly and Installation.....	5
Monitor Stand Disassembly .....	6
Monitor Placement .....	7
<b>Operating Instructions</b> .....	<b>8</b>
Joystick .....	8
Using the Device.....	8
<b>Cleaning and Maintenance</b> .....	<b>9</b>
<b>Troubleshooting Guide</b> .....	<b>9</b>
<b>Specifications</b> .....	<b>10</b>
<b>Package Contents</b> .....	<b>10</b>
<b>Rules and Conditions for Installation, Storage, Transportation, Sale (Distribution), and Disposal</b> .....	<b>11</b>
<b>Warranty Information</b> .....	<b>12</b>
<b>Additional Information</b> .....	<b>12</b>

# Dear Customer,

Thank you for choosing our products.

We are pleased to offer you appliances and devices designed and manufactured to the highest standards of quality, functionality, and design. Before using the device, please read this manual carefully. It contains important information regarding your safety, as well as recommendations for the proper use and care of the product. Please keep this manual in a safe place and use it as a reference guide during future operation of the product.

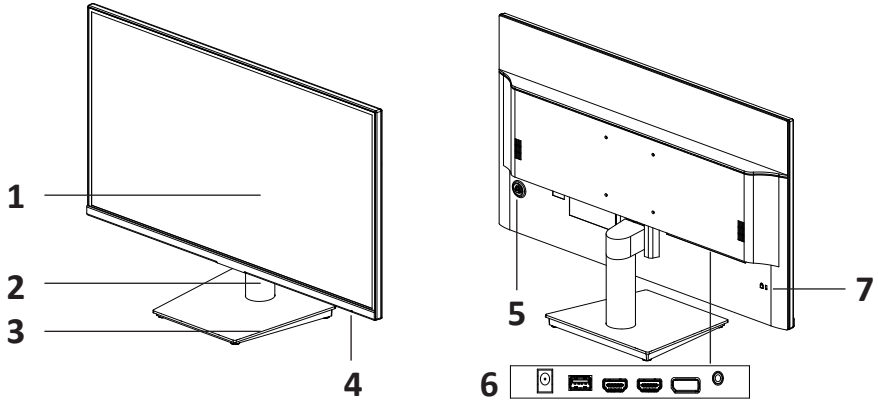
## Intended Use

The monitor is designed to display information from a personal computer.

## Safety Precautions

- Before connecting the monitor, ensure that the electrical source voltage matches the monitor's power specifications.
- Do not use accessories that are not recommended by the manufacturer.
- Do not block the ventilation openings, and prevent foreign objects from entering the device.
- Do not press on the screen surface with your fingers or any hard objects.
- To avoid electric shock, do not touch the power plug with wet hands.
- To reduce eye strain when using the monitor, take regular breaks every hour. The viewing distance between the monitor and your eyes should be 45–50 cm. Maintain proper posture with your back straight when working with the monitor.
- To disconnect, grasp the plug — do not pull the cord itself.
- Do not disassemble the device yourself to avoid electric shock. This device contains no user-serviceable parts. Maintenance and repairs should only be performed by qualified technicians at an authorized service center.
- This device is not intended for commercial use.
- This device is not intended for use by persons (including children) with reduced physical, sensory or mental capabilities, or lack of experience and knowledge, unless they have been given supervision or instruction concerning use of appliance by a person responsible for their safety. Children should be supervised to ensure that they do not play with the device.
- Immediately disconnect the device from the power source and contact an authorized service center in the event of any of the following issues:
  - Damage to the power cord.
  - The monitor has been dropped and/or damaged.
  - Monitor malfunction.

# Device Diagram

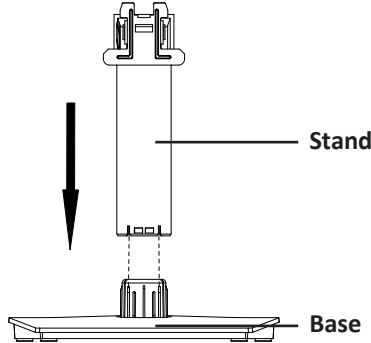


1. Screen.
2. Stand.
3. Base.
4. Power Indicator.
5. Joystick and control button.
6. Kensington security lock slot.
7. Interface (DC, USB, HDMI × 2, DP, Audio Out).

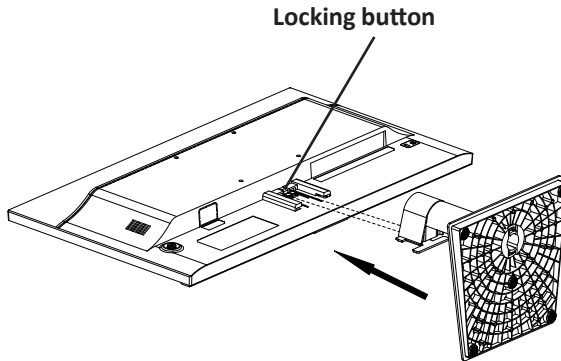
# Assembly and Placement

## Monitor Stand Assembly and Installation

1. Unpack the device and ensure all components are included. If any parts are missing, please contact the place of purchase.
2. Place the monitor face down on a flat, soft, and stable surface.
3. Assemble the stand parts by aligning the two protrusions on the base with the corresponding slots on the stand column.



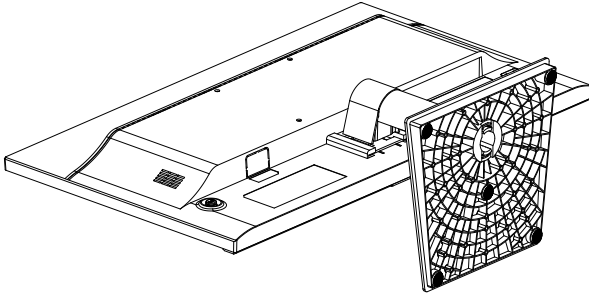
4. Insert the assembled stand into the designated slot on the back of the monitor and press down until it clicks into place, making sure the locking button is parallel to the two adjacent parts.



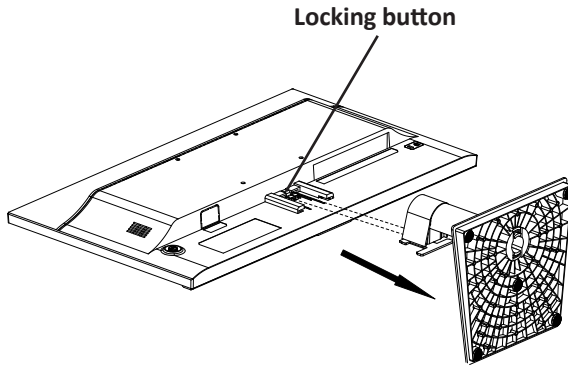
5. Stand assembly is complete.

# Monitor Stand Disassembly

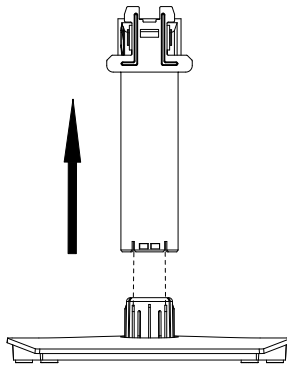
1. Place the monitor horizontally.



2. Detach the stand by pulling it in the direction indicated by the arrow.



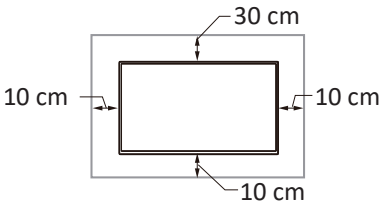
3. Remove the stand column in the direction shown in the figure.



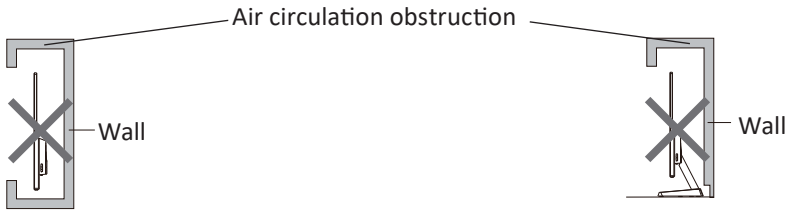
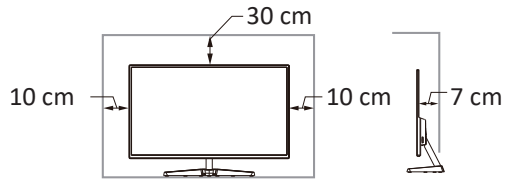
# Monitor Placement

- For safety reasons, place the device on a flat, stable surface using the stand supplied in the package.
- For wall mounting, use a bracket compatible with the monitor's specifications (not included). The wall must be able to support the weight of the device and the mounting bracket. For wall mounting, please consult a qualified professional.
- Place the monitor in a dry, well-ventilated area.
- The power outlet must be easily accessible.
- Keep the device out of reach of insects.
- Maintain the clearance between the monitor and nearby objects as shown in the figure:

Wall-mounted monitor placement



Monitor placement on base



- Do not place this device:
  - Near sources of heat and moisture.
  - In areas subject to mechanical vibration.
  - On a bed, sofa, carpet, or other unstable surfaces.
  - Directly in front of an air conditioner (to avoid damage from condensation)
  - Near sources of magnetic fields (audio systems, televisions, etc.).
  - In a confined space (e.g., a bookcase), unless adequate ventilation is provided.

# Operating Instructions

## Joystick

### Start Menu

- Joystick Up: Turn off the monitor.
- Joystick Down: Select a mode. Move the joystick left or right to switch between modes.
- Joystick Left: Exit the start menu.
- Joystick Right: Select the input source.
- Center Button: Turn off the monitor (press and hold for 3 seconds).

### Main Menu

Press the center button or move the joystick up/down/left/right to open the main menu.

- Joystick Up: Navigate up the menu / increase the parameter value.
- Joystick Down: Navigate down the menu / decrease the parameter value.
- Joystick Left: Return to the previous menu level.
- Joystick Right: Confirm current settings / enter the next menu level.
- Center Button: Confirm current settings / enter the next menu level / turn off the monitor (press and hold for 3 seconds).

**CAUTION:** If you select a refresh rate higher than the monitor supports, vertical and horizontal lines will appear on the screen as a protective measure. Set a supported refresh rate on your computer.

## Using the Device

1. Ensure the monitor and PC are disconnected from the power source.
2. Connect the HDMI cable (included) or DP cable (not included) to the corresponding connector on the monitor, and the other end to the connector on the computer's graphics card.
3. To connect the monitor to the power supply, plug the power cord into an electrical outlet and connect the other end to the monitor's power port (DC).
4. Turn on the PC.
5. The monitor is ready for use.

**Note:** When first connected to a power source, the monitor turns on automatically. To turn on the monitor subsequently, press and hold the center button of the joystick for 3 seconds.

# Cleaning and Maintenance

- Always unplug the device before cleaning.
- Do not use liquid or aerosol cleaners.
- Wipe the monitor with a soft, damp cloth. For stubborn stains, use a specialized LCD screen cleaner.

# Troubleshooting Guide

Issue	Solution
Power indicator does not light up	Check the connection to the power grid
Poor detail in dark areas of the image	Enter the “Brightness” menu section to adjust the screen brightness and contrast
Device overheating	Remove objects from the monitor and/or increase the distance from the monitor to nearby objects (see the “Monitor Placement” section)
Dark/light spots when the device is turned on	This is normal. The effect is caused by uneven backlighting at the initial startup stage due to temperature differences. After 20 minutes of operation, the dark/light spots will disappear
Image flickers, shakes, etc.	Check the PC graphics card settings: Set the recommended resolution and refresh rate for this monitor
Noise when turning off power	This is normal

## Specifications

- Model: DQ27N1 V3.
- Trademark: DEXP.
- Speaker power:  $2 \times 2$  W.
- Standby power consumption: 0,5 W.
- Power consumption in operating mode: 54 W.
- Power adapter specifications:
  - Input: 100–240 V ~ 50–60 Hz.
  - Output: 12 V = 4.5 A.
- Device power specifications: 12 V = 4.5 A.
- Protection class:
  - Adapter: II.
  - Device: III.
- Energy efficiency class: F.
- Cord type: X.
- IP code: IP20.
- Luminance: 300 cd/m<sup>2</sup>.
- Contrast ratio: 1500:1.
- Screen size: 27".
- Aspect ratio: 16:9.
- Pixel response time (GtG): 5 ms.
- Panel technology: IPS.
- Maximum resolution: 2560 × 1440.
- Refresh Rate: 144 Hz.
- Viewing angle (Vertical/Horizontal): 178°.
- Interface: HDMI × 2, DP, USB Type-A, Audio Out.
- Technologies: Low Blue Light, Flicker Free.
- Weight: 4.2 kg.
- VESA size: 100 × 100.
- Dimensions: 61.6 × 19.5 × 45.1 cm.
- Built-in speakers.
- Scope of application: domestic.

## Package Contents

- Monitor.
- Power adapter.
- Screen cleaning cloth.
- Base.
- HDMI cable.
- Cable clip.
- User manual.



The terms HDMI (High-Definition Multimedia Interface), its stylized logos, and associated product names are registered trademarks owned and managed by HDMI Licensing Administrator, Inc. (HDMI LA).

## Rules and Conditions for Installation, Storage, Transportation, Sale (Distribution), and Disposal

- The installation and mounting conditions for the device are described in the “Assembly and Placement” section of this user manual.
- The device must be stored in its original packaging, on heated premises, both at the manufacturer’s and at the consumer’s sites. The ambient temperature should be between +5 °C and +40 °C, and the relative humidity should not exceed 80% (non-condensing). The storage area must be free from aggressive contaminants (e.g., acid or alkali vapors) that could cause corrosion.
- The device must be transported in a dry place.
- The device requires careful handling. Protect it from exposure to dust, dirt, impact, moisture, fire, and other hazards.
- Sale or distribution of the device must be carried out in accordance with local legislation.
- Upon expiration of the device’s service life, it must not be disposed of with unsorted household waste. Instead, it must be taken to an authorized collection point for electrical and electronic equipment for subsequent recycling and disposal in accordance with federal or local legislation. By ensuring proper disposal of this product, you help conserve natural resources and prevent potential harm to the environment and human health that may result from improper handling. For more detailed information about collection and disposal points for this product, please contact your local municipal authorities or your household waste disposal service.
- If a device malfunction is detected, immediately contact an authorized service center or dispose of the device.

## Warranty Information

The manufacturer guarantees the device will function properly throughout the warranty period and be free from defects in materials and assembly. The warranty period commences on the date of purchase and applies to new products only. Warranty service includes free repair or replacement of defective parts that fail during the warranty period, provided the failure is not caused by consumer misuse and the product is operated in accordance with the user manual. Repairs or part replacements shall be performed at authorized service centers.

**Warranty Period:** 36 months.

**Service Life:** 48 months.

**For the up-to-date list of authorized service centers, please visit:**

<https://www.dns-shop.ru/service-center/>

## Additional Information

**Manufacturer:** HONG KONG OVERVIEW INDUSTRY CO., LIMITED.

ROOM 20 UNIT B3, 07/FL TUEN MUN INDUSTRIAL CENTRE, NO. 2 SAN PING CIRCUIT, TUEN MUN, HONG KONG.

Made in China.

The product meets the requirements of the technical regulations of the TR CU (EAEU).

Product specifications, information and appearance are subject to change without prior notice, for quality improvement of our products.

Production date (mm.yyyy): \_\_\_\_\_ V.1



