

User Manual

Monitor
DQ32N1

DEXP

Contents

Intended use	3
Safety Precautions	3
Specifications	4
Package Contents	4
Device Diagram	5
Assembly and Placement	6
Assembly and Installation Monitor's Base	6
Monitor Angle and Height Adjustment.....	7
VESA Mount	7
Monitor Placement	8
Operating Instructions	9
Control Panel.....	9
Connecting the Monitor.....	10
Connecting Source Devices.....	10
Cleaning and Maintenance	11
Troubleshooting Guide	11
Rules and Conditions for Installation, Storage, Transportation, Sale (Distribution), and Disposal	13
Warranty Information	14
Additional information	14

Dear Customer,

Thank you for choosing our products.

We are pleased to offer you appliances and devices designed and manufactured to the highest standards of quality, functionality, and design. Before using the device, please read this manual carefully. It contains important information regarding your safety, as well as recommendations for the proper use and care of the product. Please keep this manual in a safe place and use it as a reference guide during future operation of the product.

Intended use

The monitor is designed to display information from a personal computer.

Safety Precautions

- Use only appropriate types of power outlets. Before connecting the monitor, ensure that the electrical source voltage matches the monitor's power specifications.
- Place the device only on flat, stable surfaces.
- Avoid using the monitor near devices that generate magnetic fields (e.g., electric motors, televisions, etc.).
- Do not place heavy objects on the video cable or power cord, and do not route cables through high-traffic areas.
- Protect the device's cables from mechanical stress (pinching, cutting, twisting, etc.).
- Do not touch the cable with wet hands.
- Position the monitor in a location that avoids reflections and glare on the screen.
- Do not attempt to disassemble the device yourself. Any servicing must be performed only by qualified personnel at an authorized service center.
- Do not block the ventilation openings on the back and bottom of the monitor or insert any objects into them.
- Do not expose the device to moisture, dust, or extreme temperatures to avoid damage.
- Always unplug the device from the power source before cleaning or when it will not be used for an extended period.
- Do not use this device if it has been dropped or if there is visible damage to the cable or the device itself. Contact an authorized service center.
- Do not use the device if visible damage is detected. Unplug it immediately and contact an authorized service center.
- If you notice any unusual sounds or odors, immediately unplug the device and contact an authorized service center.
- Do not remove the cover or the back panel of the monitor. This may cause electric shock or fire. There are no user-serviceable parts inside. Servicing must be performed exclusively by qualified technical personnel at an authorized service center.
- This device is not intended for commercial use.
- This device is not intended for use by persons (including children) with reduced physical, sensory or mental capabilities, or lack of experience and knowledge, unless they have been given supervision or instruction concerning use of appliance by a person responsible for their safety. Children should be supervised to ensure that they do not play with the device.

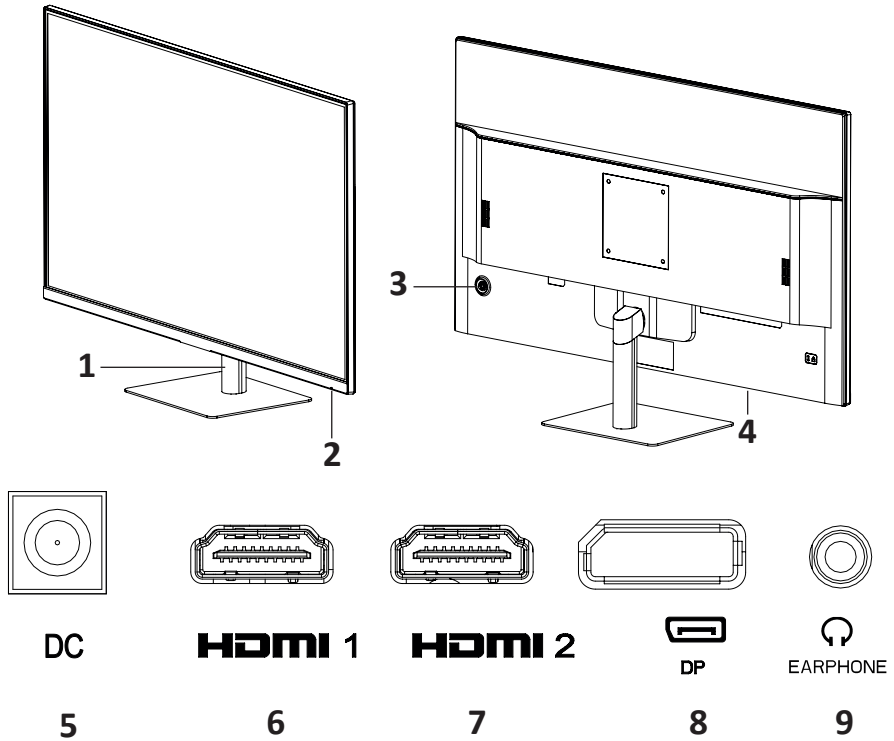
Specifications

Model	DQ32N1
Trademark	DEXP
Protection class	III
Screen size	31,5"
Luminance	350 cd/m2
Colors	16,7 M
Panel technology	IPS
Aspect ratio	16:9
Backlight	LED
Contrast ratio	1000:1
Pixel pitch	0,272 (H) × 0,272 (V)
Maximum resolution	2560 × 1440
Refresh rate at maximum resolution	100 Hz (HDMI — 100 Hz / DP — 100Hz)
Interface	HDMI 2.0 × 2; DP 1.4 × 1; Audio Jack
Response time	5 ms
Viewing angle	Horizontal — 178° Vertical — 178°
VESA Mount Standard	100 × 100
Power supply	Input: AC, 100–240 V, 50/60 Hz Output: 12 V = 4,5 A
Input voltage	12 V = 4,5 A
Speaker power	2 × 2 W
Standby power consumption	≤ 0,5 W
Power consumption in operating mode	≤ 54 W
Freesync, G-sync, OverDrive, HDR support	Yes
Technology(Blue Light Filter)	
Flicker-free Technology	
Cord type	X
IP code	IP20

Package Contents

- Monitor.
- Base.
- HDMI cable (1,8 m).
- Power adapter.
- Cable clip (50 cm).
- Screen cleaning cloth.
- User manual.

Device Diagram



1. Base.
2. Operation indicator:
 - Lights blue — the device is connected to a signal source.
 - Flashes red — the device is in power-saving mode or no signal source is detected.
3. Button / Joystick.
4. Connector Panel.
5. DC Connector.
6. HDMI 1 Connector.
7. HDMI 2 Connector.
8. DP Connector.
9. Audio Jack.

Assembly and Placement

Assembly and Installation Monitor's Base

1. Remove the monitor from its packaging and place it face down on a flat, soft, and stable surface.
2. Secure the top section of the stand with two M4 × 20 screws (Figure 1).
3. Attach the stand column to the monitor by inserting it in the direction of the arrow shown in the illustration, and secure it with an M4 × 16 screw (Figure 2).
4. Secure the base with two M4 × 15 screws (Figure 3).
5. Cover the upper part of the mount with the decorative cover (Figure 4).

Note: To remove the base, repeat the above steps in reverse order.

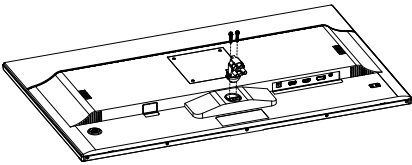


Figure 1

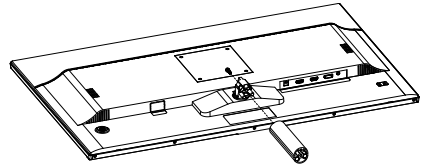


Figure 2

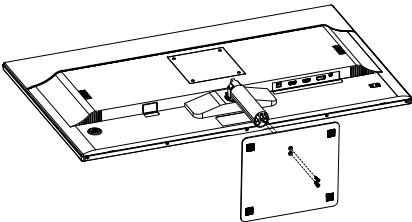


Figure 3

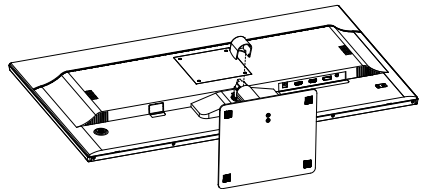


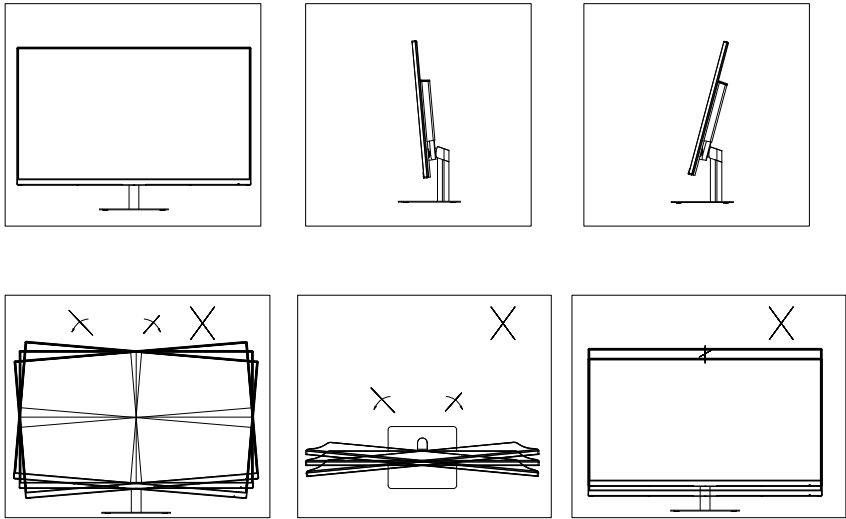
Figure 4

CAUTION:

- Tighten the screws on the stand by hand.
- The VESA mount and rear panel are angled to facilitate VESA installation.

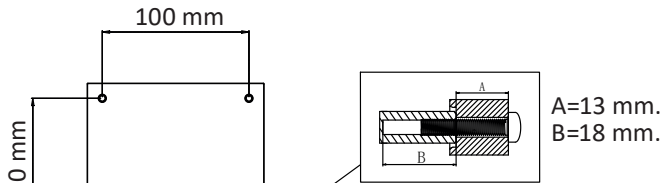
Monitor Angle and Height Adjustment

CAUTION: Be careful when tilting the monitor. Do not apply excessive pressure.

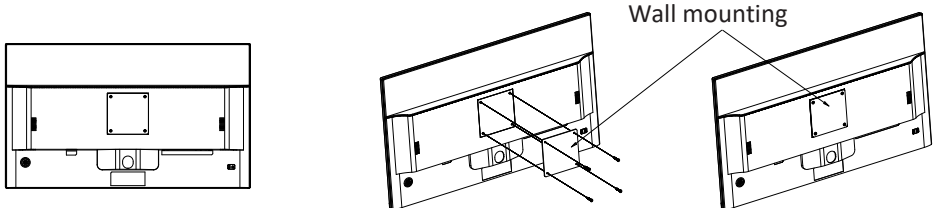


VESA Mount

1. Remove the monitor from its packaging and place it face down on a flat, soft, and stable surface.
2. Attach the mount to the back panel of the monitor using the 4 screws.



- VESA size: 100 × 100 mm.
- Screws: M4 × 22 mm, M4 × 30 mm. (4 pcs total).

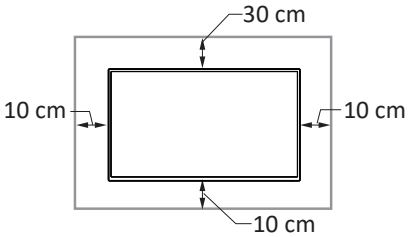


Monitor Placement

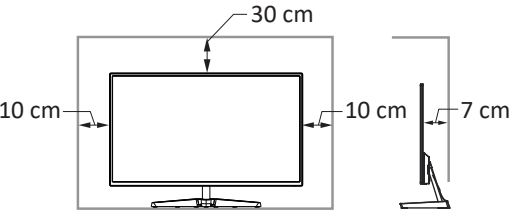
- Avoid exposing the device to direct sunlight.
- Place the monitor in a well-ventilated area.
- Do not place heavy objects on top of the monitor.
- Place the monitor in a dry, dust-free environment.
- Do not place the monitor near devices that generate magnetic fields (e.g., electric motors, televisions, etc.).

CAUTION: Images are for illustrative purposes only and may differ from the actual product.

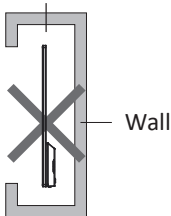
Wall-mounted monitor placement



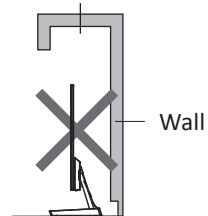
Monitor placement on base



Air circulation obstruction

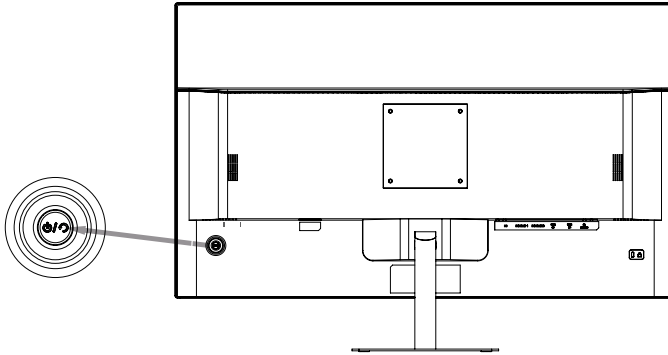


Air circulation obstruction



Operating Instructions

Control Panel



Central Button

- Short press: Open the On-Screen Display (OSD) menu.
- When menu is open: Confirm the selection.

Joystick Up

- When menu is open: Move up / Adjust the value.
- When menu is closed: Turn off the monitor.

Joystick Down

- When menu is open: Move down.
- When menu is closed: Open the Game Mode selection menu. Move the joystick left or right to quickly switch between modes.

Joystick Left

- When menu is open: Return to the previous menu level / Exit OSD menu.

Joystick Right

- When menu is open: Enter the next menu level / Confirm the selection.
- When menu is closed: Open the Input Source selection menu.

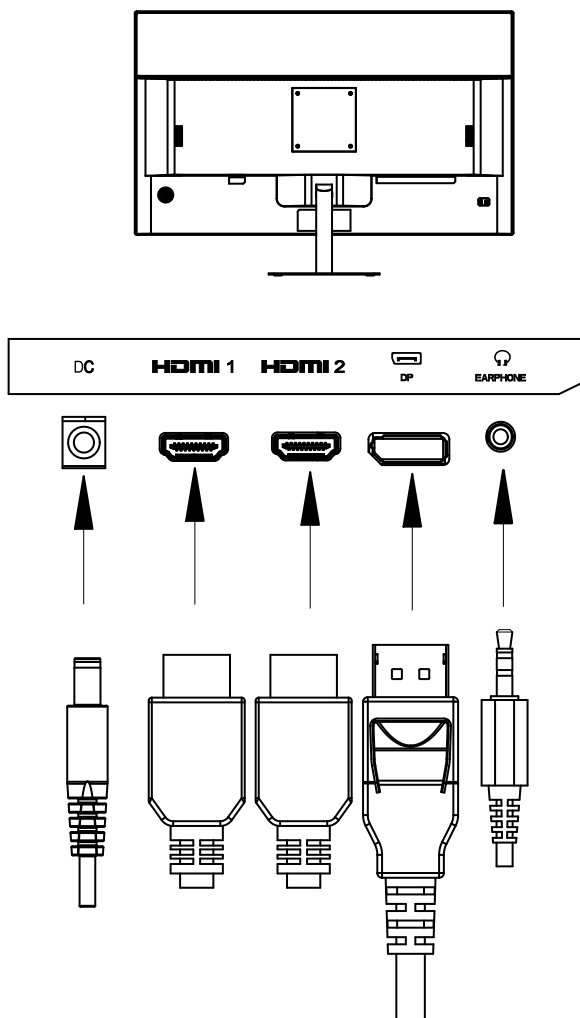
Use the joystick to adjust brightness settings (brightness level, contrast, ECO mode, OverDrive, HDR functions), image settings (horizontal and vertical position, phase, refresh rate, sharpness), color settings (color temperature, etc.), and gaming settings (FreeSync, G-SYNC, Overdrive, Game Assist, HDR, etc.) via the OSD menu.

CAUTION: If you select a refresh rate higher than the monitor supports, vertical and horizontal lines will appear on the screen as a protective measure. Set a supported refresh rate on your computer.

Connecting the Monitor

1. Ensure that the monitor and PC are disconnected from the power source.
2. Connect the signal cable to the corresponding port on the monitor, and the other end to the port on your computer's graphics card. Available connection interfaces: HDMI and DP.
3. To connect the monitor to a grounded power source, plug the power cable connector into the corresponding port on the monitor.
4. Set the resolution and refresh rate in the «Screen Resolution» settings (for Windows OS).

Connecting Source Devices



Cleaning and Maintenance

Wipe the monitor with a soft, damp cloth. Do not use any liquids or chemical agents.

CAUTION:

- If you notice any unusual sounds or odors, immediately unplug the device and contact an authorized service center.
- Do not remove the cover or the back panel of the monitor. This may cause electric shock or fire. There are no user-serviceable parts inside. Servicing must be performed exclusively by qualified technical personnel at an authorized service center.

Troubleshooting Guide

Issue	Possible cause	Solution
No image on screen	Power is not connected or the power cord is not fully inserted	Ensure that the corresponding cables are securely connected and check the power outlet
	The monitor power button is turned off	Press the power button
	The signal cable (HDMI, VGA, DP) is not connected or is connected incorrectly	Ensure that the corresponding cables are securely connected
	The wrong input source is selected	Change the input source using the on-screen menu
Blurry image	Incorrect screen refresh rate	Adjust the refresh rate
	The cable is of poor quality or damaged	Replace the cable
Color distortion	The monitor port or video cable connector is damaged /the cable is not fully inserted	Insert the cable properly. Replace it if necessary
	Incorrect color settings	Adjust the colors using the on-screen menu or restore the default settings
Display flickering	Incorrect screen refresh rate	Adjust the refresh rate
	Unstable power supply or signal interference	Ensure that the cables are at a sufficient distance from the source of interference or try plugging into another outlet
Image on screen is displayed incorrectly or incompletely	The wrong resolution is selected	Set the appropriate display resolution
	Monitor cannot properly recognize the signal	Use the «Auto» function in the on-screen menu

Issue	Possible cause	Solution
Monitor does not recognize the device plugged into the port	The port may be damaged	Try plugging into another connector. If the problem persists, contact an authorized service center
	The device is incompatible with the monitor	Ensure that the device supports the monitor's connectors
Stripes on the image, distorted image	The signal cable is damaged or connected incorrectly	Ensure that the corresponding cable is securely connected or replace it
	Graphics card is faulty	Check the graphics card
	Driver issue	Update or reinstall the driver

CAUTION: If all the above measures did not help solve the problem, immediately stop using the device and contact an authorized service center.

Rules and Conditions for Installation, Storage, Transportation, Sale (Distribution), and Disposal

- The installation and mounting conditions for the device are described in the “Assembly and Placement” section of this user manual.
- The device must be stored in its original packaging, on heated premises, both at the manufacturer’s and at the consumer’s sites. The ambient temperature should be between +5 °C and +40 °C, and the relative humidity should not exceed 80% (non-condensing). The storage area must be free from aggressive contaminants (e.g., acid or alkali vapors) that could cause corrosion.
- The device must be transported in a dry place.
- The device requires careful handling. Protect it from exposure to dust, dirt, impact, moisture, fire, and other hazards.
- Sale or distribution of the device must be carried out in accordance with local legislation.
- Upon expiration of the device’s service life, it must not be disposed of with unsorted household waste. Instead, it must be taken to an authorized collection point for electrical and electronic equipment for subsequent recycling and disposal in accordance with federal or local legislation. By ensuring proper disposal of this product, you help conserve natural resources and prevent potential harm to the environment and human health that may result from improper handling. For more detailed information about collection and disposal points for this product, please contact your local municipal authorities or your household waste disposal service.
- If a device malfunction is detected, immediately contact an authorized service center or dispose of the device.

Warranty Information

The manufacturer guarantees the device will function properly throughout the warranty period and be free from defects in materials and assembly. The warranty period commences on the date of purchase and applies to new products only. Warranty service includes free repair or replacement of defective parts that fail during the warranty period, provided the failure is not caused by consumer misuse and the product is operated in accordance with the user manual. Repairs or part replacements shall be performed at authorized service centers.

Warranty Period: 36 months.

Service Life: 48 months.

For the up-to-date list of authorized service centers, please visit:

<https://www.dns-shop.ru/service-center/>

Additional information

Manufacturer: HONG KONG OVERVIEW INDUSTRY CO., LIMITED.

ROOM 20 UNIT B3, 07/FL TUEN MUN INDUSTRIAL CENTRE, NO. 2 SAN PING CIRCUIT, TUEN MUN, HONG KONG.

Made in China.

The product meets the requirements of the technical regulations of the TR CU (EAEU).

Product specifications, information and appearance are subject to change without prior notice, for quality improvement of our products.



Production date (mm.yyyy): _____ v.9

