

# User Manual

---

Монитор  
DF24N1  
DF27N1

**DEXP**

# Contents

<b>Intended Use</b> .....	3
<b>Safety Precautions</b> .....	3
<b>Device Diagram</b> .....	4
<b>Specifications</b> .....	5
<b>Assembly and Placement</b> .....	6
Monitor Stand Assembly and Installation.....	6
Monitor Stand Disassembly .....	7
Tilt and Height Adjustment .....	7
Monitor Placement .....	8
VESA Mount Specifications.....	9
<b>Operating Instructions</b> .....	10
Joystick / Control Button .....	10
Connecting the Monitor.....	11
Signal Source Connection .....	11
<b>Maintenance and Care</b> .....	12
<b>Troubleshooting Guide</b> .....	12
<b>Rules and Conditions for Installation, Storage, Transportation, Sale (Distribution), and Disposal</b> .....	14
<b>Warranty Information</b> .....	15
<b>Additional Information</b> .....	15

# Dear Customer,

Thank you for choosing our products.

We are pleased to offer you appliances and devices designed and manufactured to the highest standards of quality, functionality, and design. Before using the device, please read this manual carefully. It contains important information regarding your safety, as well as recommendations for the proper use and care of the product. Please keep this manual in a safe place and use it as a reference guide during future operation of the product.

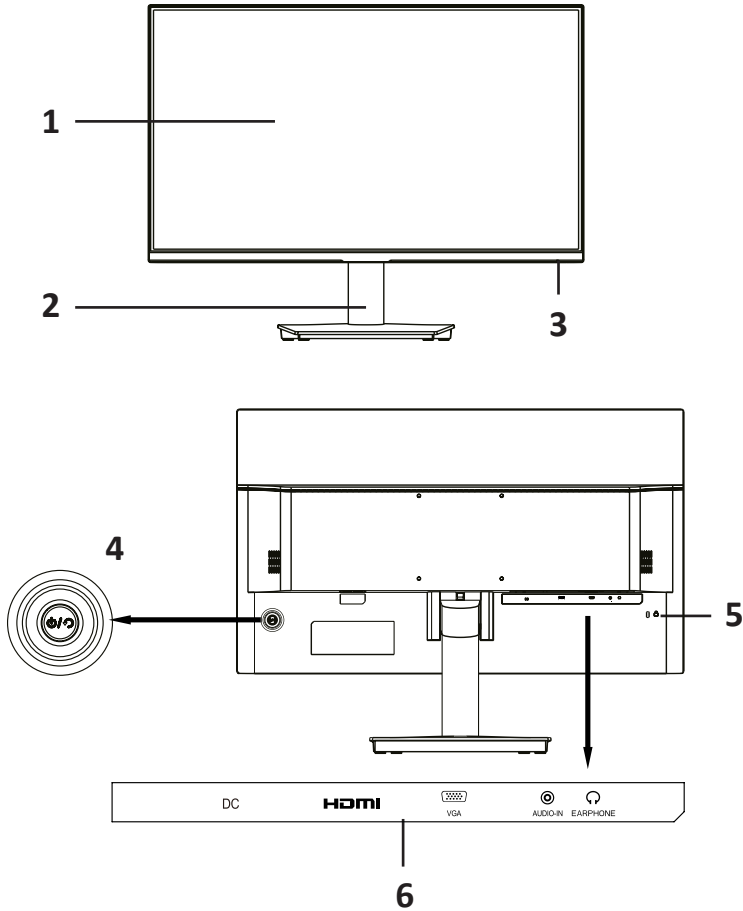
## Intended Use

The monitor is designed to display information from a personal computer.

## Safety Precautions

- Use only appropriate types of power outlets. Before connecting the monitor, ensure that the electrical source voltage matches the monitor's power specifications.
- Place the device only on flat, stable surfaces.
- Avoid using the monitor near devices that generate magnetic fields (e.g., electric motors, televisions, etc.).
- Do not place heavy objects on the video cable or power cord, and protect them from physical damage (such as pinching, cutting, kinking, or twisting). Do not route the cables in areas where they may be accidentally tripped over or pulled by people or pets.
- To avoid electric shock, do not touch the power plug with wet hands.
- Position the monitor in a location that avoids reflections and glare on the screen.
- Do not block the ventilation openings, and prevent foreign objects from entering the device.
- The device requires careful handling. Protect it from exposure to dust, dirt, impact, moisture, fire, and other hazards.
- Always disconnect the device from the power source before cleaning or during an extended period of non-use.
- Immediately disconnect the device from the power source in case of malfunction. Do not operate the device if it shows visible signs of damage, or if the power cord is damaged. Contact an authorized service center.
- In the event of smoke, strange noise, or odor from the device, you must immediately turn off the monitor and contact an authorized service center.
- Do not disassemble the device yourself to avoid electric shock. This device contains no user-serviceable parts. Maintenance and repairs should only be performed by qualified technicians at an authorized service center.
- Do not remove the cover or the back panel of the monitor. This may cause electric shock or fire. There are no user-serviceable parts inside. Servicing must be performed exclusively by qualified technical personnel at an authorized service center.
- This device is not intended for commercial use.
- This device is not intended for use by persons (including children) with reduced physical, sensory or mental capabilities, or lack of experience and knowledge, unless they have been given supervision or instruction concerning use of appliance by a person responsible for their safety. Children should be supervised to ensure that they do not play with the device.

# Device Diagram



1. Screen.
2. Stand.
3. Power Indicator:
  - solid blue — The device is connected to a signal source.
  - flashing red — The device is in power-saving mode or no signal is detected.
4. Joystick / Control button.
5. Kensington security lock slot.
6. Interface (DC, HDMI, VGA, AUDIO).

# Specifications

Model	DF24N1	DF27N1
Trademark	DEXP	
Power adapter specifications	Input: 100–240 V ~ 50–60 Hz Output: 12 V = 3 A	
Protection class (device)	III	
Protection class (adapter)	II	
Screen size	23,8"	27"
Panel technology	IPS	
Maximum resolution	1920 × 1080	
Aspect ratio	16:9	
Maximum refresh rate	100 Hz	
Luminance	300 cd/m <sup>2</sup>	
sRGB color coverage	109,8%	102%
Contrast ratio	1000:1	1300:1
Pixel response time (GtG)	5 ms	5,6 ms
Interface	HDMI, VGA, Audio	
Viewing angle	Horizontal — 178° Vertical — 178°	
Power consumption	36 W	
Freesync, OverDrive, HDR support	Yes	
Low Blue Light technology		
Flicker-free technology		
Cord type	X	
IP code	IP20	
Package Contents	<ul style="list-style-type: none"> <li>• Monitor</li> <li>• Stand</li> <li>• HDMI cable</li> <li>• Cable clip</li> <li>• Cleaning cloth</li> <li>• Power adapter</li> <li>• User Manual</li> </ul>	

# Assembly and Placement

## Monitor Stand Assembly and Installation

1. Unpack the monitor and place it on a flat, soft, and stable surface with the screen facing down.
2. Assemble the stand parts by aligning the two protrusions on the base with the corresponding slots on the stand column (Fig. 1).
3. Insert the assembled stand into the designated slot on the back of the monitor and press down until it clicks into place, making sure the locking button is parallel to the two adjacent parts (Fig. 2).
4. Stand assembly is complete (Fig. 3).

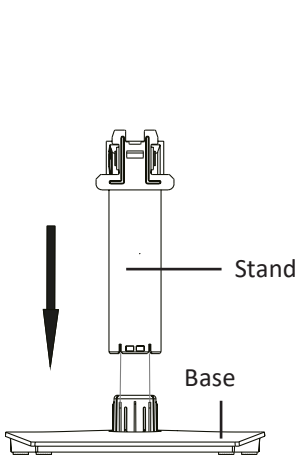


Fig. 1

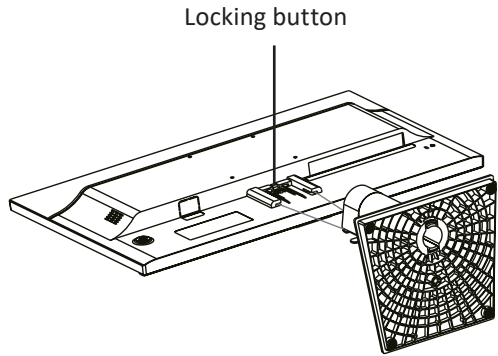


Fig. 2

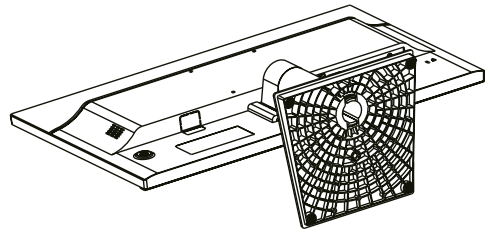


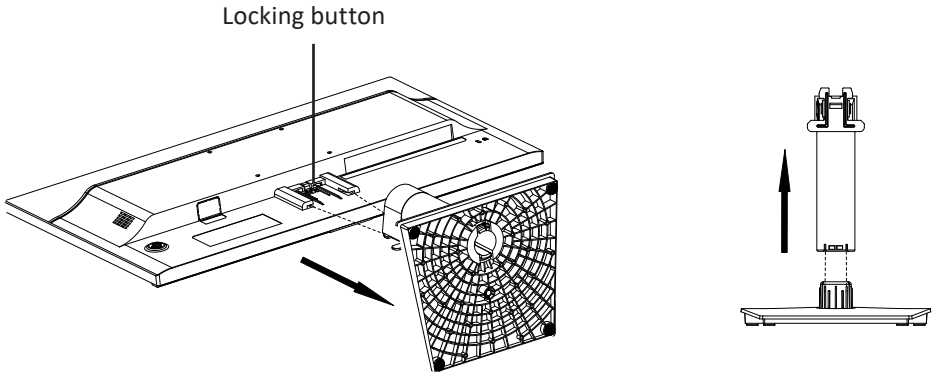
Fig. 3

### Note:

- Tighten the screws on the stand column by hand.
- The VESA mount and the back panel come pre-assembled at an angle to facilitate easy wall-mount installation.

## Monitor Stand Disassembly

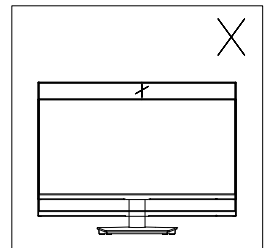
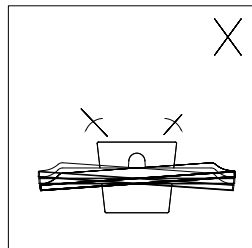
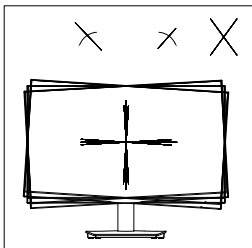
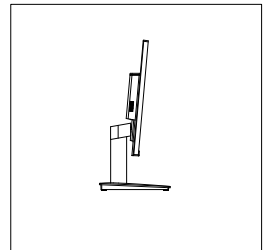
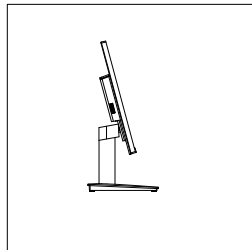
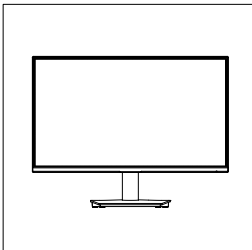
1. Place the monitor horizontally.
2. Detach the stand by pulling it in the direction indicated by the arrow.
3. Remove the stand column in the direction shown in the figure.



## Tilt and Height Adjustment

### Caution:

- Handle the monitor carefully when adjusting the tilt. Do not apply excessive force.
- The monitor does not swivel left/right or vertically.

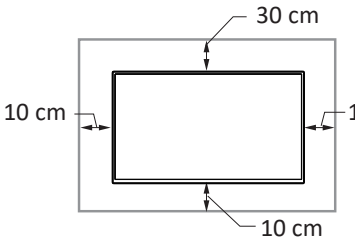


# Monitor Placement

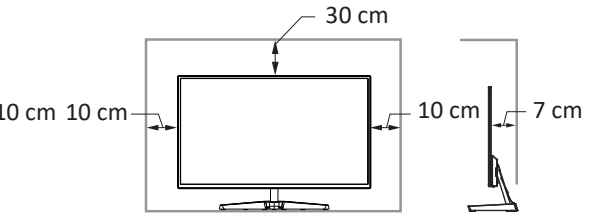
- Protect the device from direct sunlight.
- Install the monitor only in a well-ventilated area.
- Do not place heavy objects on top of the monitor.
- Place the monitor in a dry, dust-free location.
- Do not install the monitor near sources of magnetic fields (such as audio systems, televisions, and other devices).

**Note:** All images are for illustrative purposes only and may differ from the actual product.

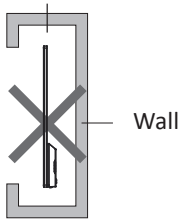
*Wall mounting*



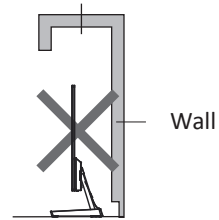
*Stand placement*



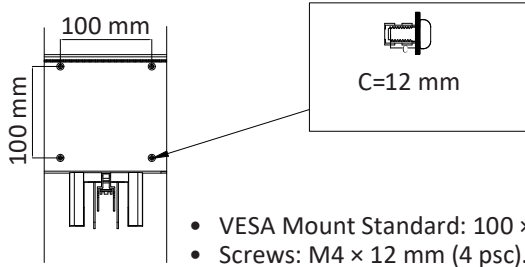
*Air circulation obstruction*



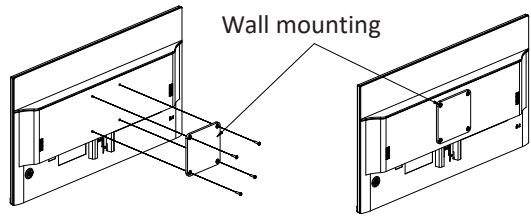
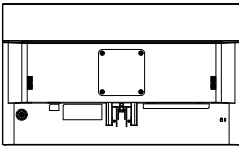
*Air circulation obstruction*



# VESA Mount Specifications

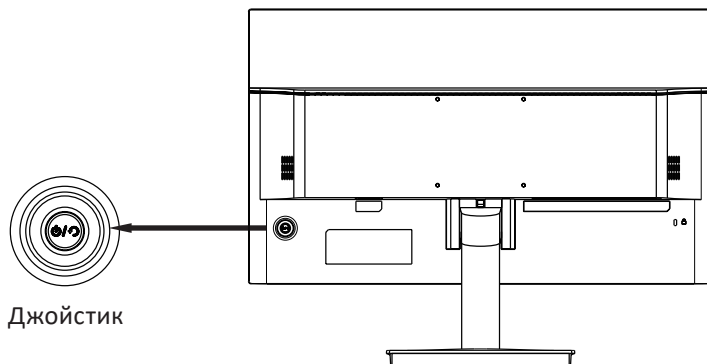


1. Place the monitor on a flat, soft, and stable surface with the screen facing down.
2. Attach the mounting bracket to the back panel using the 4 assembly screws.



# Operating Instructions

## Joystick / Control Button



1. Joystick Up:
  - Auto Adjust (VGA connection only).
  - In OSD menu: Navigate up in the menu.
2. Joystick down:
  - Open OSD menu.
  - In OSD menu: Navigate down in the menu.
3. Joystick Left:
  - Open brightness adjustment menu.
  - In OSD menu: Return to previous menu level / Decrease option value.
4. Joystick Right:
  - Open volume adjustment menu.
  - In OSD menu: Confirm settings and enter next menu level / Increase option value.
5. Center Button:
  - Short press — Turn on the monitor.
  - Press and hold (3 seconds) — Turn off the monitor.

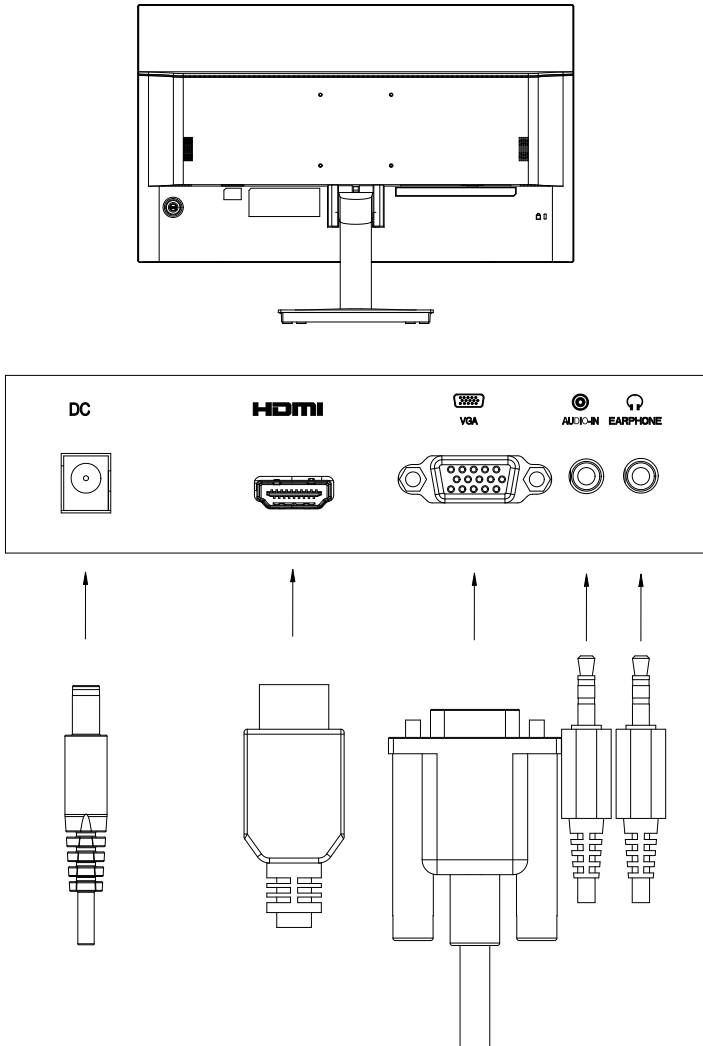
Use the joystick to adjust brightness settings (brightness level, contrast, ECO mode, OverDrive, HDR), image settings (horizontal and vertical position, phase, clock, sharpness), and color settings (color temperature, RGB, blue light filter) in OSD menu mode.

**Caution:** If you select a refresh rate higher than the monitor supports, vertical and horizontal lines will appear on the screen for protection. Set a supported refresh rate on your PC.

# Connecting the Monitor

1. Ensure that the monitor and PC are disconnected from the power source.
2. Connect the HDMI/VGA cable to the corresponding port on the monitor, and the other end to the port on your computer's graphics card.
3. To connect the monitor to the power source, plug the power cord into the power outlet and the other end into the monitor's DC power input.
4. Set the resolution and refresh rate in the «Display Resolution» tab (for Windows OS). Recommended resolution: 1920 × 1080.

## Signal Source Connection



# Maintenance and Care

- Protect the device from direct sunlight.
- Install the monitor only in a well-ventilated area.
- Do not place heavy objects on top of the monitor.
- Place the monitor in a dry, dust-free location.
- Do not install the monitor near sources of magnetic fields (such as audio systems, televisions, and other devices).

**Caution:**

- If unusual sounds or odors occur, immediately disconnect the monitor from the power source and contact an authorized service center.
- Do not remove the cover or the back panel of the monitor. This may cause electric shock or fire. There are no user-serviceable parts inside. Servicing must be performed exclusively by qualified technical personnel at an authorized service center.

# Troubleshooting Guide

Issue	Resolution
The monitor does not turn on / No power	Ensure the power cord is securely connected
	Check if the power cord is damaged. Replace it if necessary
Power is supplied, but no image appears	Ensure the cables are securely connected
	Check the graphics card connection
	Check for damage to the monitor ports and cable connectors
Color distortion / Black and white image	Adjust brightness and contrast
	Make sure the monitor port and video cable connector are not damaged. Replace the cable if necessary
	Ensure that the graphics card is firmly seated in the motherboard slot
Adjust brightness and contrast via the OSD menu	
Vertical and horizontal lines on the display	Set a refresh rate that is supported by the monitor on your PC
The monitor is overheating	When installing the monitor, maintain the clearances specified in this manual to ensure proper air circulation
Screen flickering	Adjust the refresh rate
The image on the screen is displayed incorrectly or is incomplete	Set the appropriate image resolution

Issue	Resolution
The monitor does not recognize the device plugged into the port	The port may be damaged. Try plugging into another port. If the problem persists, contact an authorized service center
Lines on the image / Distorted image	The cable is damaged or poorly connected
	Check the graphics card for faults
	Update or reinstall the drivers
Image tearing when watching video with HDR enabled	Check the graphics card control panel and ensure that the HDR mode matches the monitor's refresh rate
No image on the monitor, power LED flashes every second	Select the appropriate input source in the OSD menu
After reinstalling Windows and all drivers, the system does not recognize the monitor as an audio source — no sound	Reinstall the sound card driver
Image is present, but there is no sound	In the PC settings, select the monitor as the default audio output device

**Caution:** If the above measures do not resolve the issue, immediately discontinue use of the monitor and contact an authorized service center.

## Rules and Conditions for Installation, Storage, Transportation, Sale (Distribution), and Disposal

- The installation and mounting conditions for the device are described in the “Assembly and Placement ” section of this user manual.
- The device must be stored in its original packaging, on heated premises, both at the manufacturer’s and at the consumer’s sites. The ambient temperature should be between +5 °C and +40 °C, and the relative humidity should not exceed 80% (non-condensing). The storage area must be free from aggressive contaminants (e.g., acid or alkali vapors) that could cause corrosion.
- The device must be transported in a dry place.
- The device requires careful handling. Protect it from exposure to dust, dirt, impact, moisture, fire, and other hazards.
- Sale or distribution of the device must be carried out in accordance with local legislation.
- Upon expiration of the device’s service life, it must not be disposed of with unsorted household waste. Instead, it must be taken to an authorized collection point for electrical and electronic equipment for subsequent recycling and disposal in accordance with federal or local legislation. By ensuring proper disposal of this product, you help conserve natural resources and prevent potential harm to the environment and human health that may result from improper handling. For more detailed information about collection and disposal points for this product, please contact your local municipal authorities or your household waste disposal service.
- If a device malfunction is detected, immediately contact an authorized service center or dispose of the device.

## Warranty Information

The manufacturer guarantees the device will function properly throughout the warranty period and be free from defects in materials and assembly. The warranty period commences on the date of purchase and applies to new products only. Warranty service includes free repair or replacement of defective parts that fail during the warranty period, provided the failure is not caused by consumer misuse and the product is operated in accordance with the user manual. Repairs or part replacements shall be performed at authorized service centers.

**Warranty Period:** 36 months

**Service Life:** 48 months

**For the up-to-date list of authorized service centers, please visit:** <https://www.dns-shop.ru/service-center/>

## Additional Information

**Manufacturer:** HONG KONG OVERVIEW INDUSTRY CO., LIMITED.  
ROOM 20 UNIT B3, 07/FL TUEN MUN INDUSTRIAL CENTRE, NO. 2 SAN PING CIRCUIT,  
TUEN MUN, HONG KONG.

Made in China.

The product meets the requirements of the CU TR (EAEU).

Product specifications, information and appearance are subject to change without prior notice, for quality improvement of our products.

Production date (mm.yyyy): \_\_\_\_\_ V.1



