

User Manual

Electric Kebab Maker
DKM-106B

DEXP

Contents

Intended Use.....	3
Safety Precautions	3
Device Diagram	4
Operating Instructions	5
Before First Use.....	5
Device Placement.....	5
Operation.....	5
Cleaning and Maintenance.....	6
Specifications	6
Package Contents.....	6
Rules and Conditions for Installation, Storage, Transportation, Sale (Distribution), and Disposal.....	7
Warranty Information	8
Additional Information.....	8

Dear Customer,

Thank you for choosing our products.

We are pleased to offer you appliances and devices designed and manufactured to the highest standards of quality, functionality, and design. Before using the device, please read this manual carefully. It contains important information regarding your safety, as well as recommendations for the proper use and care of the product. Please keep this manual in a safe place and use it as a reference guide during future operation of the product.

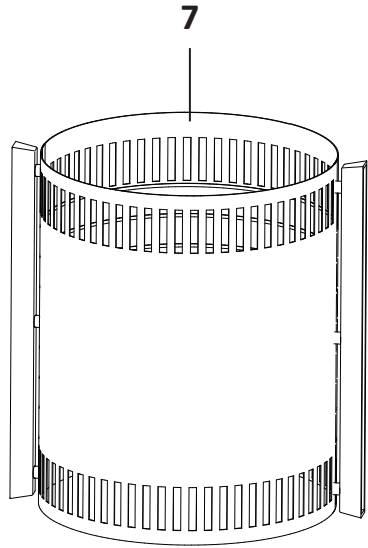
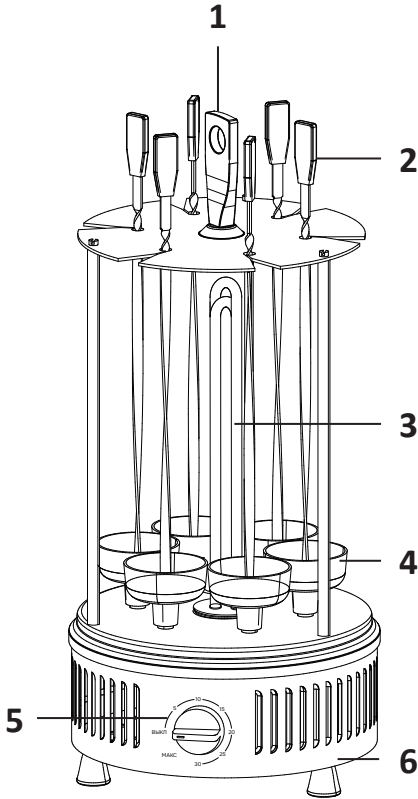
Intended Use

This device is designed for preparing kebab and other dishes from meat, fish, and vegetables using infrared radiation.

Safety Precautions

- Before plug in, make sure that the voltage of your home power source corresponds to the devices specifications.
- Do not use the device in bathrooms, showers, near swimming pools, or in close proximity to water.
- After using the device, always unplug the power cord from the outlet.
- Do not leave the plugged-in device unattended.
- During use leave free space around the device during operation for air circulation.
- This device is not intended for use by persons (including children) with reduced physical, sensory or mental capabilities, or lack of experience and knowledge, unless they have been given supervision or instruction concerning use of appliance by a person responsible for their safety. Children should be supervised to ensure that they do not play with the device.
- Use the device exclusively for the purposes described in this manual.
- Use only the accessories supplied with the device. Using of any other accessories may pose a risk to life and health and will void your warranty.
- Do not bend or wrap the cord around the device.
- Allow the device to cool down before storing it.
- Always place the device on a heat-resistant, stable, flat surface.
- Do not allow the power cord to come into contact with hot parts of the device.
- To avoid the risk of fire, do not use or store the device near flammable liquids, materials, or objects.
- Never cover the appliance (e.g., with a towel or clothing) while it is hot.
- Immediately unplug the device if it malfunctions, or if the power cord or plug is damaged. Contact an authorized service center.
- Do not disassemble the device yourself to avoid electric shock. This device contains no user-serviceable parts. Maintenance and repairs should only be performed by qualified technicians at an authorized service center.
- This device is not intended for commercial use.

Device Diagram



1. Handle.
2. Skewers.
3. Heating element.
4. Metal drip trays (for collecting juices).
5. Timer control.
6. Housing.
7. Casing.

Operating Instructions

Before First Use

1. Read all the instructions in this manual.
2. Ensure that the device is unplugged and the timer control is set to the “OFF” position.
3. Wash all accessories in hot soapy water.
4. Thoroughly dry all accessories and install them in the device.
5. Plug the device into the power source and turn it on for 20–25 minutes. Then unplug it and allow the skewers to cool down.
6. The device is now ready for use.

CAUTION: The appearance of a small amount of smoke and a specific odor during the first start-up is due to the special coating on the heating elements and is not a malfunction.

Device Placement

Place the device in a location that meets the following requirements: at least 50 cm of clearance above the device, 25 cm around it, and at least 25 cm between the back of the device and the wall.

Operation

Note: Before connecting the device to the power source, ensure that all accessories and the device surfaces are dry.

1. Remove the casing and the skewers from the device.
1. Plug the device into the power source.
2. Allow the device to preheat for 5 minutes.
3. Carefully thread the food onto the skewers.
4. After preheating, place the skewers in position. Insert the pointed ends into the special holes at the bottom of the drip trays, and place the top ends into the holes in the upper disc. Ensure that all skewers are upright, rotate freely, and that the food is securely fixed.

CAUTION: When handling the operating device, always use oven mitts. Never touch the heating element with bare hands!

5. Install the casing.
6. Set the timer to the desired time using the timer control.

Note: Turn the control to the “OFF” position to turn off the timer.

7. After cooking is complete, unplug the device and carefully remove the skewers.
8. Once the skewers have cooled down, remove the food.

Cleaning and Maintenance

- Always keep the device clean.
- Before cleaning the device, ensure that it has cooled down and is disconnected from the power source.
- Clean the skewers in hot soapy water.
- The device can be wiped with a damp cloth or sponge.
- Do not use abrasive materials to clean the surfaces of the device, as this can damage the coating and reduce its service life.

Specifications

- Model: DKM-106B.
- Trademark: DEXP.
- Power: 1000 W.
- Power supply: 220–240 V ~ 50 Hz.
- Number of skewers: 6 pcs.
- Skewer length: 32.2 cm.
- Number of drip trays: 6 pcs.
- Skewer rotation speed: 2.5 rpm.
- Case material: Stainless steel.
- Readiness sound signal: Yes.
- Timer: Yes.
- Auto shut-off: Yes.
- Power cord length: 1 m.
- Cord type: Y.
- Protection class: I.
- Scope of application: Domestic.

Package Contents

- Electric kebab maker.
- 6 skewers.
- Drip trays (6 pcs).
- Casing.
- User manual.

Rules and Conditions for Installation, Storage, Transportation, Sale (Distribution), and Disposal

- This device requires no assembly or mounting.
- The device must be stored in its original packaging, on heated premises, both at the manufacturer's and at the consumer's sites. The ambient temperature should be between +5 °C and +40 °C, and the relative humidity should not exceed 80% (non-condensing). The storage area must be free from aggressive contaminants (e.g., acid or alkali vapors) that could cause corrosion.
- The device must be transported in a dry place.
- The device requires careful handling. Protect it from exposure to dust, dirt, impact, moisture, fire, and other hazards.
- Sale or distribution of the device must be carried out in accordance with local legislation.
- Upon expiration of the device's service life, it must not be disposed of with unsorted household waste. Instead, it must be taken to an authorized collection point for electrical and electronic equipment for subsequent recycling and disposal in accordance with federal or local legislation. By ensuring proper disposal of this product, you help conserve natural resources and prevent potential harm to the environment and human health that may result from improper handling. For more detailed information about collection and disposal points for this product, please contact your local municipal authorities or your household waste disposal service.
- If a device malfunction is detected, immediately contact an authorized service center or dispose of the device.

Warranty Information

The manufacturer guarantees the device will function properly throughout the warranty period and be free from defects in materials and assembly. The warranty period commences on the date of purchase and applies to new products only. Warranty service includes free repair or replacement of defective parts that fail during the warranty period, provided the failure is not caused by consumer misuse and the product is operated in accordance with the user manual. Repairs or part replacements shall be performed at authorized service centers.

Warranty Period: 18 months

Service Life: 36 months

For the up-to-date list of authorized service centers, please visit:

<https://www.dns-shop.ru/service-center/>

Additional Information

Manufacturer: Ningbo Vasion Electric Appliance Co., Ltd.

No.3, Sitangjiang Road, Gaoqiao Village, Xinpu Town, Cixi City, Zhejiang Prov., China.

Made in China.

The product meets the requirements of the technical regulations of the TR CU (EAEU).

Product specifications, information and appearance are subject to change without prior notice, for quality improvement of our products.

Production date (mm.yyyy): _____ V.1



