



User Manual

TWS Headset
Line 1

Contents

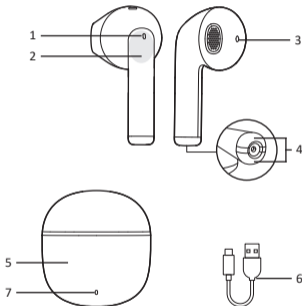
| | |
|--|----|
| Device Diagram | 3 |
| Operating Instructions | 4 |
| Pairing | 4 |
| Clear Pairing History | 4 |
| How to Wear the Earbuds | 4 |
| Earbud Indicator | 4 |
| Case Indicator | 4 |
| Functions | 5 |
| Intended Use | 6 |
| Safety Precautions | 6 |
| Rechargeable Battery Guidelines (Li-pol/Li-ion) | 7 |
| Battery Capacity and Charge-Discharge Cycles | 7 |
| Natural Battery Wear | 7 |
| Use Only the Original Charger | 7 |
| Observe the Temperature Requirements | 8 |
| Do Not Disassemble, Burn, or Use Damaged Batteries | 8 |
| Specifications | 9 |
| Package Contents | 9 |
| Rules and Conditions for Installation, Storage, Transportation, Sale (Distribution), and Disposal | 10 |
| Warranty Information | 11 |
| Additional Information | 11 |

Dear Customer,

Thank you for choosing our products.

We are pleased to offer you appliances and devices designed and manufactured to the highest standards of quality, functionality, and design. Before using the device, please read this manual carefully. It contains important information regarding your safety, as well as recommendations for the proper use and care of the product. Please keep this manual in a safe place and use it as a reference guide during future operation of the product.

Device Diagram



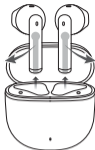
1. Earbud indicator light
2. Touch sensor
3. Sound outlet
4. Pogo pin charging contacts
5. Charging case
6. USB Type-C cable
7. Case indicator light

Operating Instructions

Pairing

1. Before first use, take both earbuds out of the case, remove the protective film, and place them back in the case (this is necessary to activate them).
2. Take the earbuds out of the case again.
3. Open the Bluetooth settings on your device and select "Kenshi Line 1" to pair.

Note: The earbuds will turn on automatically when removed from the case. If this does not happen, check the battery charge and try again.



Clear Pairing History

Perform these steps if you are unable to pair with the device.

1. Turn off Bluetooth on your phone. Tap the touch sensors on both earbuds simultaneously 5 times.
2. The indicator will flash white 5 times, after which the device will complete the factory reset. Try pairing again.



How to Wear the Earbuds

- Identify the right and left earbuds, put them on, and adjust them for a comfortable fit.
- Aim the microphone of the earbuds toward your mouth.



Earbud Indicator

The indicator lights up red when the earbud is charging, and turns white for 5 seconds once fully charged.

Case Indicator

- The indicator flashes white while the case is charging, and remains steadily lit when fully charged.
- The indicator flashes white for 4 seconds if the case's battery level is low.

Functions

- Power on: Press and hold the touch sensor on the right earbud for 1.5 seconds / remove the earbuds from the case.
- Power off: Place the earbuds back in the case.
- Answer/end a call: Double-tap the touch sensor.
- Reject a call: Press and hold the touch sensor for 1.5 seconds.
- Play/Pause: Double-tap the touch sensor.
- Previous track: Press and hold the touch sensor on the left earbud for 1.5 seconds.
- Next track: Press and hold the touch sensor on the right earbud for 1.5 seconds.
- Voice assistant: Triple-tap the touch sensor on the left earbud.
- Game mode: Triple-tap the touch sensor on the right earbud.

Intended Use

The TWS headset features Bluetooth wireless technology and is designed for personal listening to music, speech, or other audio signals, as well as for voice communication.

Safety Precautions

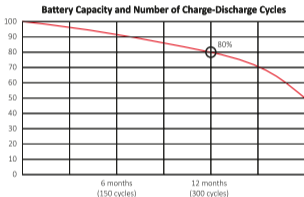
- Do not expose the device to excessively high/low temperatures, dust, humidity, direct sunlight, strong vibration, or strong electromagnetic radiation.
- Avoid spilling liquid on the device. Do not use the device in areas where there is a risk of it falling into water (e.g., swimming pools, bodies of water, bathtubs, etc.).
- The manufacturer does not guarantee full compatibility of the device with any third-party applications or the correct operation of these applications.
- Avoid dropping the device from heights or subjecting it to impacts against hard surfaces.
- Prolonged use of headphones at excessively high volume may cause hearing loss.
- Please note that the battery reaches its maximum performance after two to three full charge and discharge cycles.
- Use only manufacturer-approved chargers and accessories. Using other accessories voids the warranty and may be dangerous.
- The manufacturer reserves the right to make changes to the device specifications without prior notice. We apologize for any inconvenience this may cause.
- Use a soft cotton cloth to clean the device body. Do not use chemical substances, as they may damage the device.
- This device is not intended for commercial use.
- This device is not intended for use by persons (including children) with reduced physical, sensory or mental capabilities, or lack of experience and knowledge, unless they have been given supervision or instruction concerning use of appliance by a person responsible for their safety. Children should be supervised to ensure that they do not play with the device.

Rechargeable Battery Guidelines (Li-pol/Li-ion)

Dear Customer, please note that this device uses a lithium-based rechargeable battery as its power source. Please carefully read the information below to help extend the life of your battery and prevent undesirable consequences during its operation.

Battery Capacity and Charge-Discharge Cycles

During prolonged storage and use, the rechargeable battery (hereinafter referred to as “the battery”) tends to lose its charge and capacity. After 300 charge-discharge cycles (approximately one year of device use), the battery capacity may decrease to 80% of its nominal value. After 400 charge-discharge cycles, the battery capacity may decrease to 60% of its nominal capacity. Partial capacity reduction within these limits and time frames is natural battery wear and is not considered a defect.



Natural Battery Wear

The battery loses charge even when stored separately from the device. The self-discharge rate is approximately 5% per month. Due to their design, batteries are not durable and constantly degrade regardless of whether they are in use. This degradation accelerates at higher temperatures and when the charge level deviates from the “optimal” storage level, which is generally considered to be 40%. In other words, if the battery is not in use, it is advisable to keep the charge level between 40% and 50%.

Use Only the Original Charger

The battery’s charge and discharge capability is controlled by its built-in Battery Management System (BMS). Forced “fast charging” modes using external chargers for Li-ion batteries are strictly not recommended, as charge and discharge currents are limited.

Li-ion batteries do not have a so-called “memory effect” You can start charging or discharging the battery from any charge level.

Most devices have charge and discharge limits—the controller may prevent the battery charging if, for example, the charge is already above 90%. It will also prevent the battery from fully discharging, protecting the cells from damage. Even if the device is powered by the electrical grids, the Li-ion battery should undergo a full charge/discharge cycle at least once a month (until the “low battery” warning appears). Never let the battery discharge completely. A Li-ion battery degrades quickly if stored in a discharged state for a prolonged period. If this happens, charge it immediately. If the battery remains in a discharged state for two weeks or more, irreversible capacity loss occurs in the cells, which will ultimately lead to battery failure.

Observe the Temperature Requirements

Batteries must be stored in a charged state at temperatures between +15 °C and +35 °C with normal humidity. Batteries do not perform well prolonged operation in very high (above +40 °C) or very low (below -10 °C) ambient temperatures. Do not leave the battery in direct sunlight.

Do Not Disassemble, Burn, or Use Damaged Batteries

Under no circumstances should you attempt to disassemble the battery or charge its individual cells. For repair or maintenance, please contact an authorized service center.

Puncturing or crushing the cells can cause an internal short circuit, leading to fire and explosion. Melting of lithium due to high temperatures can also cause an explosion. If the seal is broken, water or condensed atmospheric moisture can enter the cell, potentially triggering a reaction that releases hydrogen and causes a fire. You can check the current battery status using the battery indicator, which is available on almost all devices (please check its location and operation method at the time of purchase).

CAUTION:

- Be careful — damaged batteries may release harmful substances.
- If the battery is replaceable (removable), and you discover problems with its performance, contact a service center (see the warranty period in the warranty information). If the battery is built-in (an integral part of the device), the warranty applies to the device itself. You should also contact a service center. The sooner you bring a malfunctioning battery in for repair, the more likely it can be restored with minimal cost.
- Battery operating time depends on many other factors, and the actual operating time may differ from the stated value.
- Rechargeable batteries have a limited number of charge cycles and may eventually need replacement (see the limited warranty conditions for the battery in the warranty information). Battery operating time depends on the usage mode and settings.

Specifications

- Trademark: Kenshi
- Model: MNWC01
- Bluetooth:
 - Version: 5.3
 - Frequency range: 2400–2483.5 MHz
 - Wireless standard: IEEE 802.15.1
 - Transmitter power: < 10 mW
- Speaker frequency range: 20 Hz — 20 kHz
- Impedance: $32 \pm 15\%$ Ohm
- Earbuds sensitivity: 102 ± 3 dB
- Microphone sensitivity: -4 ± 4 dB at 1 kHz
- Supported codecs: SBC, AAC
- Case battery: Li-ion, 350 mA·h
- Earbuds battery: Li-ion, 26 mA·h
- Battery life: about 7.9 hours
- Headset charging time: 2 hours
- Charging connector: Type-C
- Charging cable length: 0.58 m
- IP code: IPX4
- Cord type: X
- Scope of application: Domestic

Package Contents

- Earbuds
- Charging case
- USB Type-C cable
- User manual

Rules and Conditions for Installation, Storage, Transportation, Sale (Distribution), and Disposal

- This device requires no assembly or mounting.
- The device must be stored in its original packaging, on heated premises, both at the manufacturer's and at the consumer's sites. The ambient temperature should be between +5 °C and +40 °C, and the relative humidity should not exceed 80% (non-condensing). The storage area must be free from aggressive contaminants (e.g., acid or alkali vapors) that could cause corrosion.
- The device must be transported in a dry place.
- The device requires careful handling. Protect it from exposure to dust, dirt, impact, moisture, fire, and other hazards.
- Sale or distribution of the device must be carried out in accordance with local legislation.
- Upon expiration of the device's service life, it must not be disposed of with unsorted household waste. Instead, it must be taken to an authorized collection point for electrical and electronic equipment for subsequent recycling and disposal in accordance with federal or local legislation. By ensuring proper disposal of this product, you help conserve natural resources and prevent potential harm to the environment and human health that may result from improper handling. For more detailed information about collection and disposal points for this product, please contact your local municipal authorities or your household waste disposal service.
- If a device malfunction is detected, immediately contact an authorized service center or dispose of the device.

Warranty Information

The manufacturer guarantees the device will function properly throughout the warranty period and be free from defects in materials and assembly. The warranty period commences on the date of purchase and applies to new products only. Warranty service includes free repair or replacement of defective parts that fail during the warranty period, provided the failure is not caused by consumer misuse and the product is operated in accordance with the user manual. Repairs or part replacements shall be performed at authorized service centers.

Warranty Period: 12 months.

Service Life: 12 months.

For the up-to-date list of authorized service centers, please visit:

<https://www.dns-shop.ru/service-center/>

Additional Information

Manufacturer: Dongguan Hele Electronics Co., LTD.

325 Yuehui Road, Daojiao Town, Dongguan, Guangdong, China.

Made in China.

The product meets the requirements of the technical regulations of the TR CU (EAEU).

Product specifications, information and appearance are subject to change without prior notice, for quality improvement of our products.



Production date (mm.yyyy): _____ V.1

