

MX330-F

GAMING MIDI TOWER



Features

MX330-F is a elegant looks, functional design, and durable construction don't need to be pricy. you can get a styling, a full acrylic side panel window for admiring your components

- PSU & 3.5 BAY COVER
Tucking all cables and less-attractive drives behind a clean, refined PSU cover
- BEST COOLING SOLUTION
Water cooling radiator support up to 240mm on front
- FULL ACRYLIC SIDE PANEL WINDOW
- SUFFICIENT FLEXIBILITY FOR MULTIPLE GRAPHICS SOLUTIONS UP TO 350MM
- CABLE FEEDTHROUGH ON THE MB TRAY FOR EASY ROUTING AND HIDING OF CABLES
- 7 PCI SLOTS PROVIDES FLEXIBILITY FOR MULTIPLE GRAPHICS CARDS SOLUTIONS

Case Type	Middle Tower	Expansion slots	7	
Mother board type	Mini ITX / Micro ATX / ATX	I/O Panel	USB 3.0 x1 / USB 2.0 x1 Mic x1, Audio x1	
Dimension (mm)	195(W)x473(H)x427(D)	Cooling fan support	Front: LED 120mm fan x 2 (Pre-installed) Top: LED 120mm x 2 (Pre-installed) Rear: LED 120mm x 1 (Pre-installed)	
5.25" Drive Bay	1		Max. Graphic cards length	350 mm
3.5" Drive Bay	2 (Internal)		Max. CPU cooler height	155mm
2.5" Drive Bay	2+2 (converted from 3.5" drive bays)			
Water cooling radiator support	Front: 240mm Top: 120mm Rear: 120mm			

* The specification maybe varies depending on the country or region

GLOBAL WARRANTY POLICY

WARRANTY PERIODS OF COUGAR GAMING DEVICES

Product : COUGAR PC Case
Warranty : 1 Year
This warranty gives you specific legal rights. You may also have other rights granted under local law. These rights may vary.
*only for electrical components

For more information, please visit www.cougargaming.com
Compucase Enterprise Co.,Ltd.
All rights reserved.

COUGAR USA Technical Service
Tel: (833) 256-3778
Mail: rma@compucaseusa.com
<https://cougargaming.com/support/contact/upload/>
Compucase Enterprise Co.,Ltd.
No. 225, Lane 54, An Ho Road Sec. 2 Tainan, Taiwan, R.O.C
Tel:+886-6-356-0606
Service E-Mail: service@cougargaming.com

ДАТА ИЗГОТОВЛЕНИЯ ПРОДУКЦИИ

год и месяц изготовления продукции указаны в серийном номере продукта. (существует 2 способа определения даты изготовления, оба способа описаны ниже)

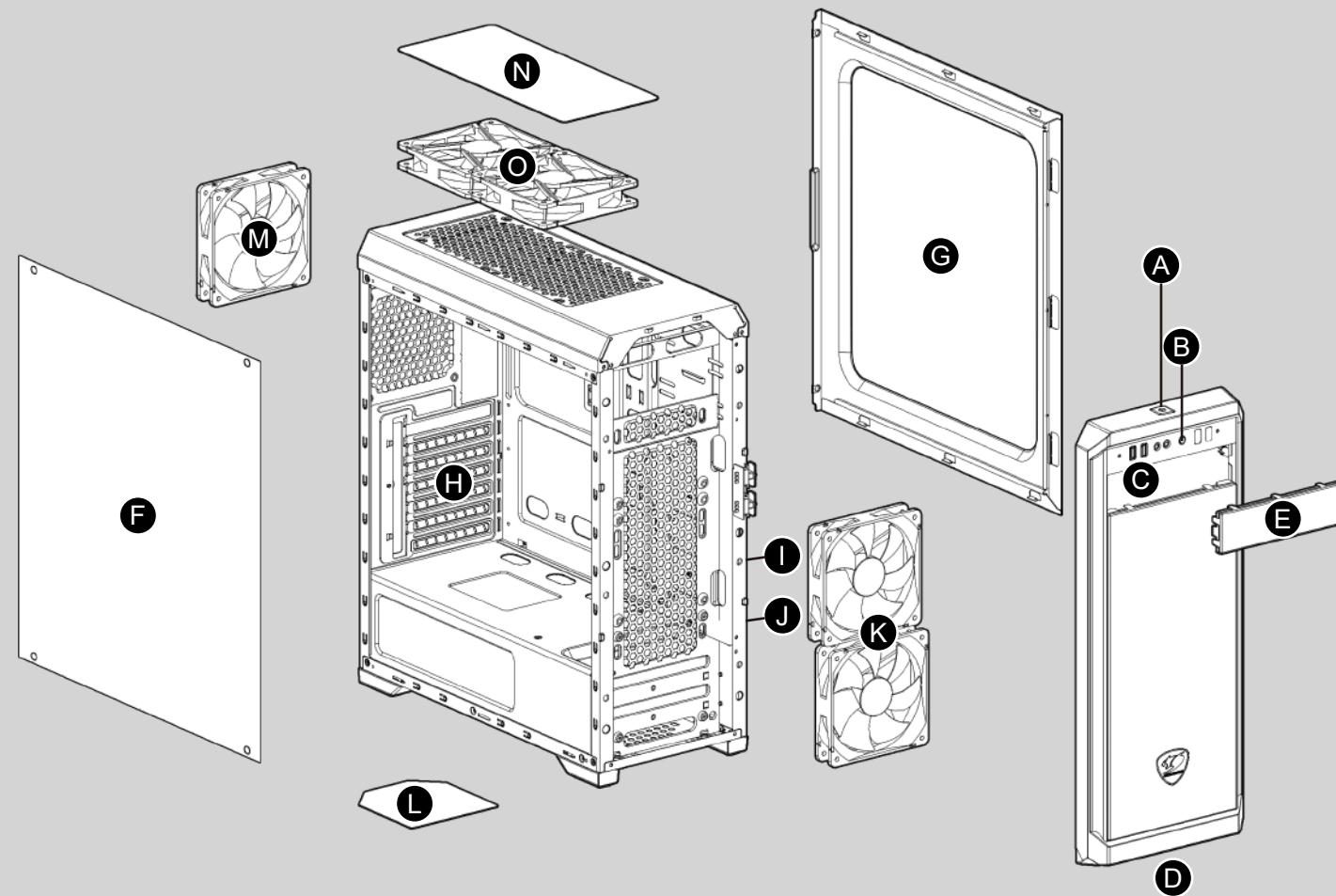
А После S/N: первые две цифры означают год, вторые две – месяц изготовления. Например, S/N: H1702000001 означает, что товар был произведен в феврале 2017 года.

В После S/N: если указаны буквы, то две буквы представляют цифры из таблицы ниже, и означают год, последующие две цифры – месяц изготовления. Например, S/N: DAG02REV1000001 означает, что товар был произведен в феврале 2017 года.

A	B	C	D	E	F	G	H	I	J
1	2	3	4	5	6	7	8	9	0

• Например, AG = 17 = 2017 год

Assembly Drawing



* The specification maybe varies depending on the country or region

- A Power button
- B Reset button
- C USB 3.0 / USB 2.0 / HD audio ports
- D Front panel, removable to easily install 5.25" devices
- E 5.25" shield
- F Full acrylic side panel window
- G Right side cover
- H Vented slot covers for better cooling performance
- I 2.5" HDD/SSD drive bays
- J 3.5" HDD trays (compatible for 2.5" HDD/SSD)
- K LED 120mm fans x 2 for front panel (pre-installed), effectively cool the HDD & graphics cards
- L Air filter on bottom cover to prevent dust from entering the power supply
- M LED 120mm fan for rear panel (pre-installed)
- N Top panel fan filter can prevent dust from entering the chassis
- O LED 120mm fans x 2 for top cover (pre-installed)

Accessory Kit

#6-32 for PSU & Expansion Card	X 7	Cable tie for cable management	X6
#6-32 for 3.5" HDD	X 5	Slot cover	X 1
for Main Board	X 3	#6-32 for Front Fan	X 4
M3 for Main Board, ODD & 2.5" HDD/SSD	X 14	#6-32 for 3.5" HDD tray and cage	X 2

РУССКИЙ

- КРЫШКА ДЛЯ БЛОКА ПИТАНИЯ И 3.5 ДЮЙМОВОГО ПРИВОДА
Закрепление всех кабелей и менее привлекательных приводов за крышкой
- ЛУЧШЕЕ РЕШЕНИЕ ОХЛАЖДЕНИЯ
Радиатор с водяным охлаждением до 240 мм (установка спереди)
- АКРИЛОВОЕ БОКОВОЕ ОКНО
- ДОСТАТОЧНАЯ ГИБКОСТЬ ДЛЯ РАЗНООБРАЗНЫХ ГРАФИЧЕСКИХ КАРТ ДО 350 ММ
- ПРОХОДЫ ДЛЯ КАБЕЛЕЙ НА ЛОТКЕ МАТЕРИНСКОЙ ПЛАТЫ ДЛЯ УДОБСТВА ПРОКЛАДКИ И СКРЫТИЯ КАБЕЛЕЙ
- 7 PCI СЛОТОВ ПРЕДОСТАВЛЯЕТ ГИБКОСТЬ ДЛЯ РЕШЕНИЙ С ГРАФИЧЕСКИМИ КАРТАМИ

ITALIANO

- Copertura per PSU e bay da 3.5
Nascondi tutti i cavi e le unità dall'aspetto meno gradevole dietro una copertura per PSU
- La miglior soluzione per il raffreddamento
Il radiatore con raffreddamento ad acqua supporta fino a 240 mm davanti
- Sufficiente flessibilità per più soluzioni grafiche fino a 350 mm
- Finestra sul pannello laterale completamente in acrilico
- Passaggio dei cavi sul vassoio MB per instradare e nascondere i cavi semplicemente.
- Design che consente una facile pulizia
I filtri dell'aria superiori e il coperchio superiore e inferiore facilmente pulibili e staccabili consentono di tenere pulito il computer e proteggerlo dalla polvere.
- 7 slot PCI per fornire flessibilità per più soluzioni per schede grafiche.

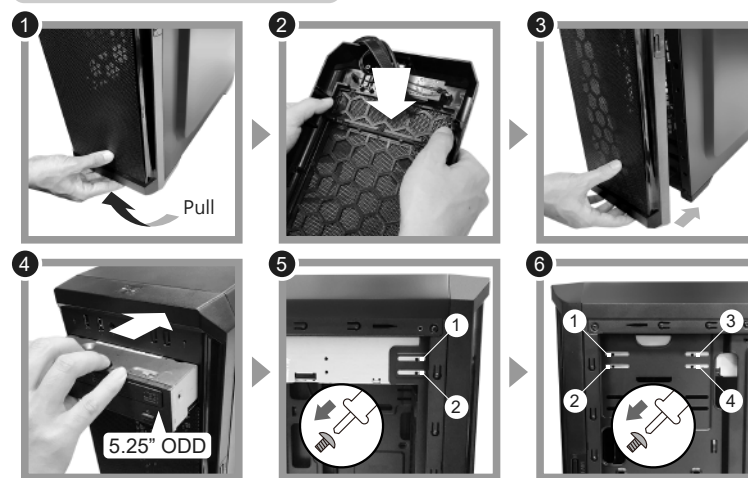
ESPAÑOL

- Cobertura para Fuente y case 3.5
Escondiendo a todos los cables y drives poco atractivos detrás de una cobertura de fuente refinada y clean.
- Mejor resolución de enfriamiento
Soporte para radiador de water cooling – hasta 240mm adelante.
- Flexibilidad suficiente para múltiples alternativas para tarjetas gráficas de hasta 350mm
- Panel lateral con ventana totalmente en acrílico
- Cable de feedthrough en la bandeja de la motherboard para fácilmente enrollar y esconder los cables.
- Diseño altamente limpiante
Filtros de aire que son fácilmente desmontables y limpiantes ubicados en las tapas de arriba, adelante y debajo que te permiten mantener tu computadora limpia y protegida de la suciedad.
- 7 slots PCI que proveen flexibilidad para múltiples alternativas de tarjetas gráficas.

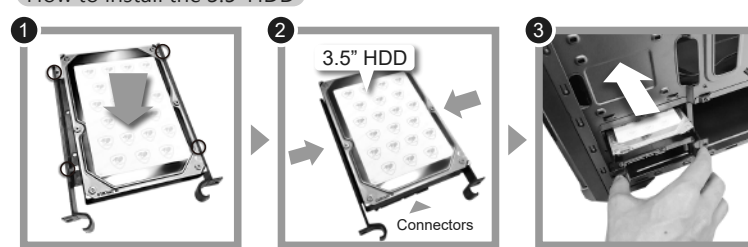
PORTUGUÊS

- Cobertura para Fonte e case 3.5
Escondendo todos os cabos e drives pouco atraentes atrás de uma cobertura de fonte refinada e clean
- Melhor resolução de resfriamento
Suporte para radiador de water cooling – até 240mm na frente.
- Flexibilidade suficiente para múltiplas alternativas para placas de video de até 350mm
- Painel lateral com janela totalmente em acrílico
- Cabo de feedthrough na bandeja da placa mãe para facilmente enrolar e esconder os cabos.
- Design altamente limpável
Filtros de ar que são facilmente destacáveis e limpáveis localizados nas tampas de cima, da frente e de baixo que te permitem manter seu computador limpo e protegido da sujeira.
- 7 slots PCI que fornecem flexibilidade para múltiplas alternativas para placas de video.

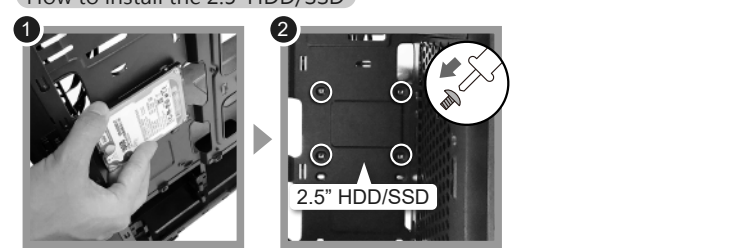
How to install the 5.25" devices



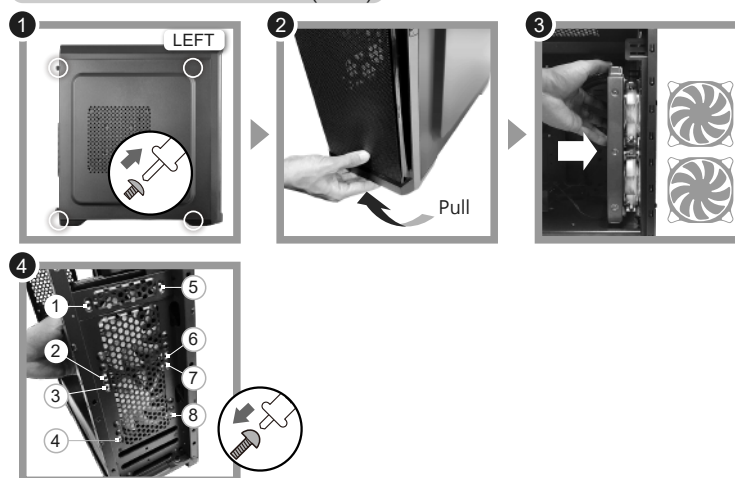
How to install the 3.5" HDD



How to install the 2.5" HDD/SSD



How to install a water cooler (front)



How to install a water cooler (top)



تعليمات التركيب و الأمان:
- عند التركيب أو التفكيك يجب التأكد من أن جميع الأسلاك مفصولة عن الكهرباء.
- يجب اتخاذ الاحترازاات اللازمة لمنع الصعق الكهربائي.
- يجب ارتداء الملابس المناسبة أثناء تركيب/ تجميع الكمبيوتر.
- يجب تركيب كل قطعة بحذر و بمكانها المناسب.
- من يقوم بعمليه التركيب الشخص المختص فقط.