

Mamibot

PROVAC TITAN

ROBOT VACUUM CLEANER

USER MANUAL

Please read all instructions before using this product, and keep it properly for future reference.

20210615 Ver.

Safety Regulations

Please read all Instructions carefully, and Keep it at hand for setting up, using and maintaining TITAN. Any operation that against the following instructions may damage TITAN or cause injury.

Warning:

01. Do not disassemble, repair or refit TITAN without authorization; Otherwise it may damage TITAN or pose a hazard.
02. Do not use the product in an environment with risk of fire or explosion.
03. Only the original power adapter can be used for TITAN; otherwise TITAN may be damaged or catch on fire.
04. Do not stand or sit on TITAN; doing so could damage TITAN or cause it to fall over.
05. When the metal part of the power plug is dusty, please wipe it with a dry cloth.
06. The power adapter is applied to a 100-240V AC voltage. Please plug into the socket properly and keep away from children.
07. Do not wash or soak the main body and electronic accessories in water; otherwise TITAN may be damaged by a short circuit.
08. Do not damage, load weight on, heat, pull, or bend TITAN.

09. During cleaning, please pay attention to the safety of toddlers and elders at home to avoid injury (Please pay special attention to toddlers).

10. This product is for home use. Please do not use it outdoors.

11. Do not allow metal and conductive materials to contact the battery; doing so may cause a short circuit.

12. Do not allow to be used as toy. Close attention is necessary when used by or near children.

Attentions:

01. Do not touch TITAN with wet hands; doing so may cause an electric shock.

02. Please do not place TITAN in places where it could easily fall, such as tables, chairs, high platforms in room, etc.

03. The product has a sophisticated design and should be protected from long-term exposure to sunlight.

04. Please do not use TITAN in humid environments, such as bath-rooms.

05. Please do not place TITAN near cigarette butts, lighters or other open fires.

06. Please clean TITAN after charging finished.

07. Please turn off the power switch on the side of TITAN when TITAN is out of service for a long time.

08. Please check carefully to see if the power adapter is connected to the socket prior to use, to avoid damage to the robot.
09. Before using TITAN, please remove all vulnerable items on the floor, such as glass, lamps, and items such as wires and curtains that may entangle with the side brush and suction passages.
10. When the dust box is full, please empty it in time.
11. Please do not use TITAN to clean the construction waste.
12. The operating temperature of the product ranges from 0°C-40°C; please do not use it in a high temperature environment.
13. Be aware that TITAN just moves around on its own, please take care when walking in the area where TITAN is cleaning.
14. Before TITAN is scrapped, please remove the battery from the robot. When you remove the battery, please ensure that TITAN is not connected to a power supply. Please recycle the battery safely for environmental protection.

Danger:

01. Always use a dedicated battery adapter to avoid leakage, heating or explosion.
02. Do not short-circuit the battery or remove the battery; doing so may cause leakage, heating or

explosion.

03. Do not transport or preserve with necklaces, hairpins, and other metal objects; doing so may lead to short circuit, resulting in leakage, heating or explosion.
04. Do not burn or heat the battery; doing so may cause leakage, heating or explosion.

Attention:

01. If abnormal overheating is discovered during charging, stop using it immediately to avoid leakage, heating or explosion.
02. To prolong the service life of the battery, please remove the battery and place it in a cool, dry environment if it is out of service for a long time; this will avoid leakage, heating or explosion.
03. Do not soak in water or let it come into contact with any liquid; otherwise it may cause leakage, heating and explosion.
04. Be sure to stop using it immediately in case of any exception (e.g.: discoloration or deformation), to avoid leakage, heating and explosion.
05. Always use tape to insulate the battery's electrode when recycling or disposing of it.
06. If the battery leaks, wipe it clean with a dry cloth, recycle it in time, or discard it.
07. Put the recycled batteries in the recycling bins

set up by the community, hotels, schools, large shopping malls, supermarkets, etc or the hazardous trash can be collected by professional recycling agencies. Discarded batteries must be removed and discarded in accordance with local laws and regulations.

Battery Warning:

01. When skin or clothing is exposed to the battery electrolyte, immediately wash with clean water to avoid inflammation of skin, etc.
02. Do not use the rechargeable battery on other devices. This battery is only suitable for TITAN.
03. If the battery's outer box is found to be deformed and expanded, or leakage of electrolytes is found, do not charge or continue to use to avoid danger.
04. Do not throw or inflict a strong impact on the battery; doing so may cause leakage, heating and explosion.
05. Do not disassemble the battery pack; doing so may cause battery explosion and electrolyte outflow, leading to fire, explosion and other dangers.

How to remove the battery

01. The battery must be removed from TITAN before TITAN is scrapped, and the battery must be put into the designated places or institutions according to the local regulations.
02. Before removing the battery, please turn the main power switch off.
03. Take out two screws on the battery cover with a screw driver.
04. Take out the battery cover.
05. Take out the battery and unplug the electric wires to remove the battery.

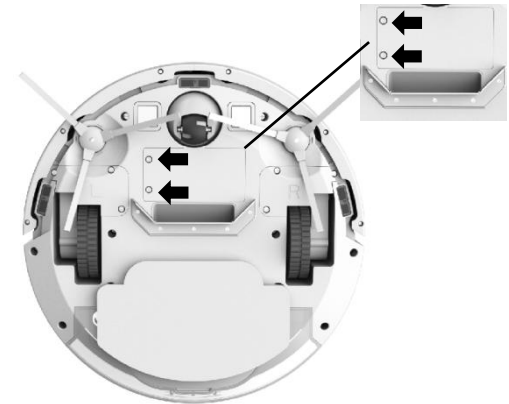


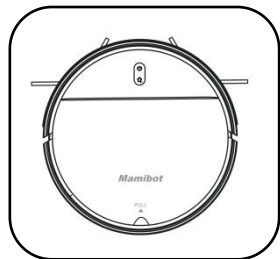
Table of Contents

Table of Contents.....	5
Specifications.....	6
What's in the Package.....	7
Product Components.....	8
Using the Product - Charging TITAN.....	10
Using the Product - Starting Cleaning.....	11
Using the Product - Pause, Wake-up and Power-off.....	12
Maintenance – Dust Box.....	13
Maintenance-Other Parts.....	15
Troubleshooting.....	16
Name and Content of Hazardous Substances.....	17
Recycling of TITAN.....	19

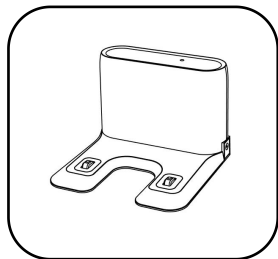
Specifications

Item	Specification	Remarks
Product Model	PROVAC TITAN	* The data comes from the lab of Mamibot Manufacturing USA Inc. It may be slightly different from the users data, please subject to the actual products. For continuous product improvement, we reserve the right to any technical and design change without prior notice.
Size of Main Unit	330*74 mm	
Input	19V / 0.6A	
Rated Power	28W	
Battery Capacity	2000 mAh Rechargeable Li-ion Battery	
Battery Rated Voltage	14.8V	
Dust Box Capacity	200 ml	
Water Tank Capacity	230 ml	
Working Noise	<65 dB	
Cleaning time	About 100 minutes	
Working Time	About 100 minutes	
Charging Time	About 240-300 minutes	

What's in the Package



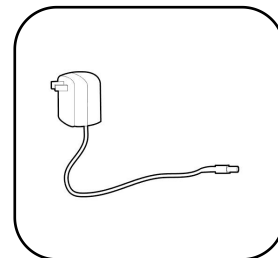
TITAN



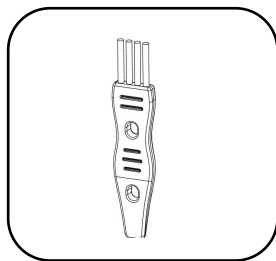
Charging Dock



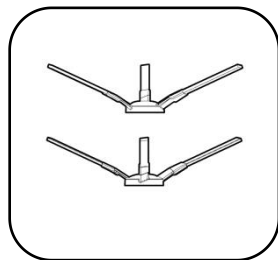
Remote Control



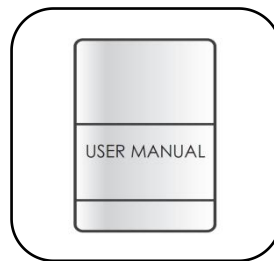
Adapter



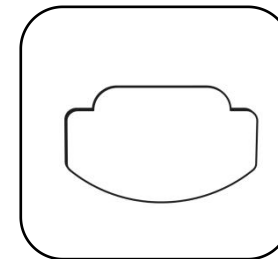
Cleaning Tools



Side Brushes



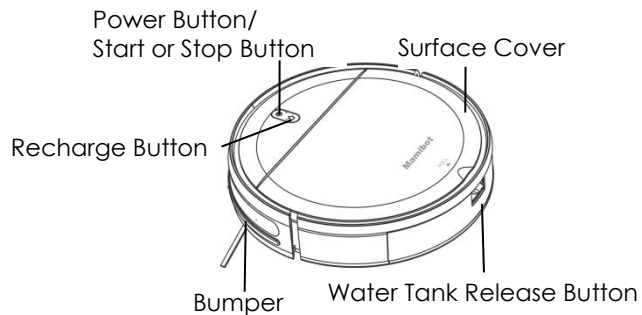
User Manual



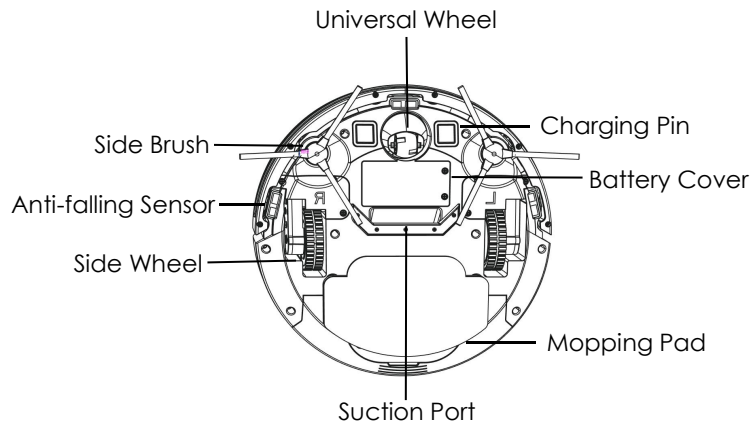
Mopping Pad
& Cloth

Product Components

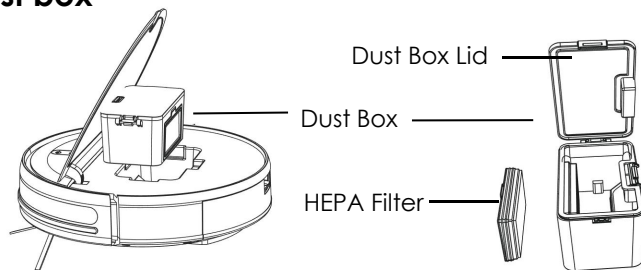
Top and Side



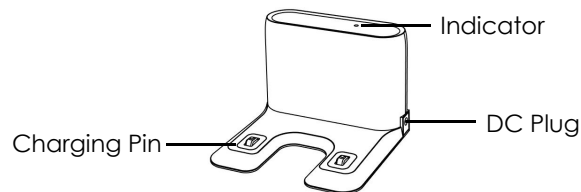
Bottom



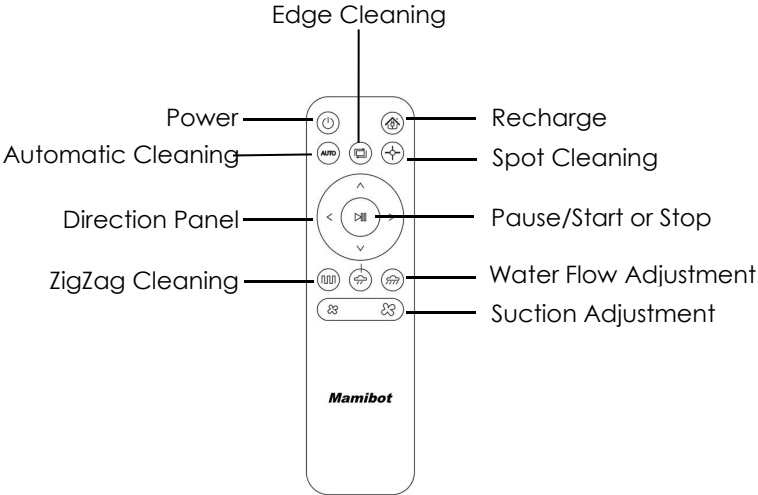
Dust box



Charging Base

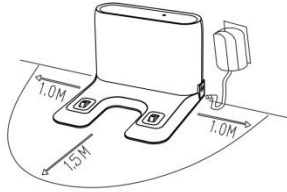


Remote control

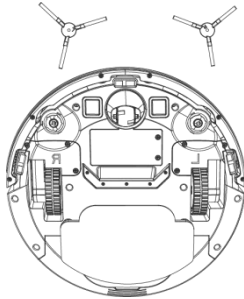


Using the Product - Charging TITAN

1. Place the charging base on the flat ground against the wall. Do not place any objects 1.0 m/3.3ft on the left and right of the charging stand or 1.5 m/4.9ft in front of the charging base.



2. Connect the charging base to the power supply.
3. Install the left and right side brushes.



4. Charging: Place TITAN on the charging base to charge. During charging, the indicator blinks. When charging is complete, the indicator will keep on.



- If the battery capacity is lower than 20%, TITAN will go back to the charging base and recharge.
- Users can also press the charging button on the remote control or the robot to instruct the robot to recharge.

Caution:

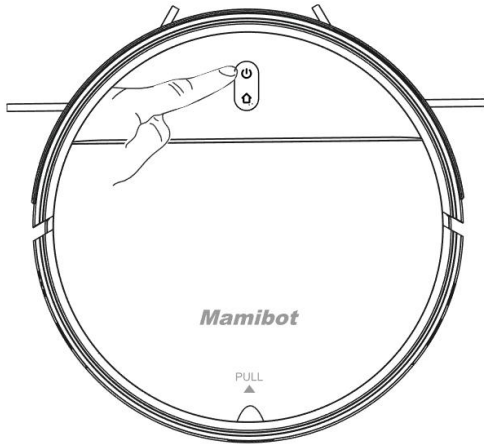
1. Do not use the charging base in reflective environments such as the environment exposed to direct sunlight and environment with mirrors nearby.
2. To ensure the normal working duration of TITAN, fully charge TITAN before use. The charging time is about five to six hours.
3. To ensure the safety of charging and prevent a damp cloth from damaging the floor, remove the water tank and mopping pad before charging TITAN.

Using the Product - Starting Cleaning

For different cleaning requirements, TITAN provides multiple cleaning modes for you to choose. You can use different cleaning modes through TITAN or remote control.

Automatic Cleaning

Setting method: In the power-off mode, press and hold the power button. After the indicator of TITAN is on, indicating that TITAN is powered on, press the power button again.



Spot Cleaning

Application: The cleaning mode is applicable to the ground where dusts are concentrated. The robot cleans the ground in a spiral path in the specified area and returns to the original point after cleaning.

Setting method: Press the key  on the remote control to enable Spot cleaning.

Edge Cleaning

Application: The cleaning mode is applicable to indoor corners. The robot cleans the ground along edges of fixed objects (e.g.: wall) and returns to the charging base after cleaning.


Setting method: Press the key  on the remote control to enable edge cleaning.

Manual Control

Application: Manual control is applicable to cleaning under manual control.

Setting method: Press the key  on the remote control to control the product in moving forward, moving backward, or making a turn.

Using the Product - Pause, Wake-up and Power-off

Pause: When TITAN is working, press the power button on TITAN or press the pause key  on the remote control to suspend it.

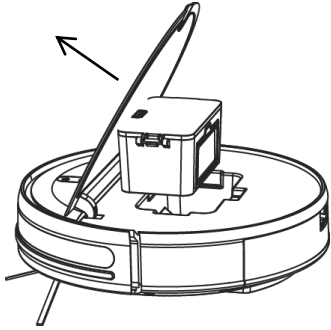
Wake-up: After TITAN is suspended for more than 10 minutes, TITAN activates the sleep mode (the indicator of TITAN is off). Press the power button on TITAN to wake up it and press the power button on the remote control to restart it.

Power-off: After TITAN is suspended, press and hold the power button on TITAN for 3 seconds. If indicator is off, the product is powered off.

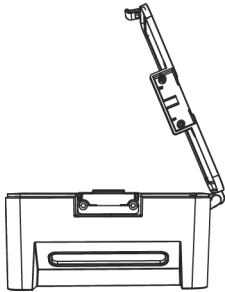
* After TITAN completes operation, you are advised not to shut down TITAN. Keep TITAN in the charging status so that it can work better in the next operation.

Maintenance – Dust Box

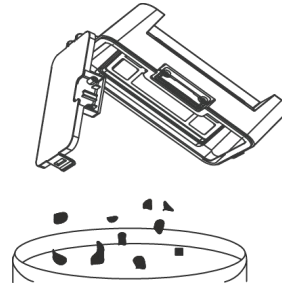
A. Open the robot cover, and take out the dust box from the robot.



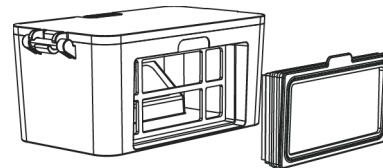
B. Open the lid of the dust box.



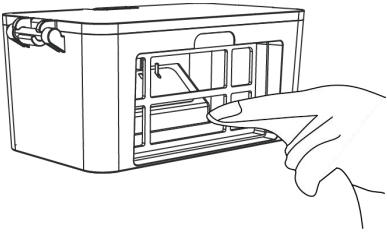
C. Empty the dust box.



D. Take out the HEPA filter, tape the filter to remove the dust.



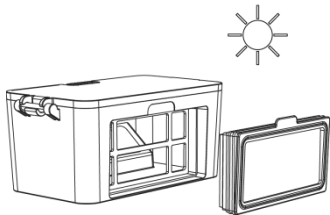
E. Clean the dust box with a cloth.



Note:

- It is recommended that you clean the HEPA filter every 15 to 30 days. The maximum service life of the HEPA filter is three months.
- Before installing the HEPA filter, ensure that the HEPA filter is dry.
- Do not expose the HEPA filter to the sunlight.

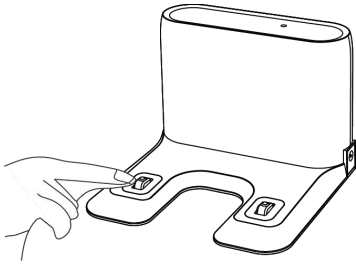
F. Dry the dust box and filter component, then put the Hepa filter back into the dust box.



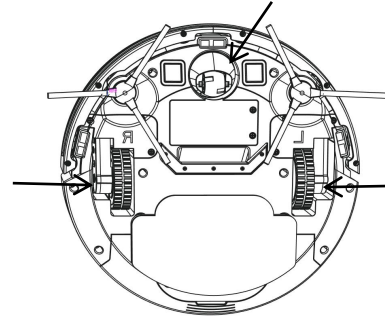
Maintenance-Other Parts

Note: The charging pins, anti-falling sensors and bumper contain sensitive electronic components. To clean the parts with a dry soft mop cloth. Do not use a wet cloth in case water enters the parts and causes damage.

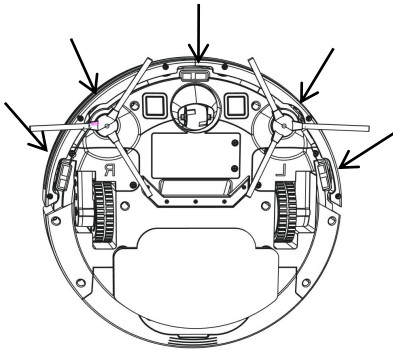
Cleaning the Charging Pins



Cleaning the Driving Wheel and Universal Wheel



Cleaning the Anti-falling Sensors and Brushes



* If you do not use the product for a long time, charge the product fully and then power off the product before you store it. Charge the product every three months in case of battery over-discharge.

* If the battery is over-discharged or is not used for a long time, the product may not be rechargeable. Contact after-sales service center of the company for maintenance. Do not disassemble the product.

Troubleshooting

If there is any failure of TITAN, please follow below solutions to check and solve the problems. If none of the solution is workable, please contact the authorized agent for inspection and further solutions.

No.	Troubles	Solutions
1	The robot cleaner does not work.	<ul style="list-style-type: none">● Please check whether the robot cleaner is switched on.
2	Cleaning Power is weak.	Please turn the robot off and: <ul style="list-style-type: none">● Empty the dust box and fully charge the robot;● Clean the HEPA filter;● Check and clean the suction port.
3	The robot cleaner is very noisy while cleaning.	<ul style="list-style-type: none">● Please clean the dust box and Hepa filter.● Please check and clean the brushes and drive wheels..
4	The robot cleaner stops cleaning immediately.	<ul style="list-style-type: none">● Please check the cleaning mode setting.● No power, please charge the robot and use it again.
5	The robot cleaner fails to detect stairs.	<ul style="list-style-type: none">● Please check and clean the anti-falling sensors.
6	The robot cleaner is trapped.	<ul style="list-style-type: none">● The robot cleaner will attempt to free itself but in some cases, please assist the robot cleaner manually.

Name and Content of Hazardous Substances

Component	Content of Hazardous Substances						
	Plastic Shell	PCB	Cables	Metal Parts	Adapter	Electronic Components	Rubber Components
Cadmium(Cd)	○	○	○	○	○	×	○
Lead(Pb)	○	○	○	×	○	○	○
Mercury(Hg)	○	○	○	○	○	○	○
Hexavalent Chromium(CrVI)	○	○	○	○	○	○	○
Polybrominated Biphenyls(PBB)	○	○	○	○	○	○	○
Polybrominated Diphenyl Ethers(PBDE)	○	○	○	○	○	○	○
Bis(2-ethylhexyl) Phthalate(DEHP)	○	○	○	○	○	○	○
Butyl Benzyl Phthalate(BBP)	○	○	○	○	○	○	○
Dibutyl Phthalate(DBP)	○	○	○	○	○	○	○
Diisobutyl Phthalate(DIBP)	○	○	○	○	○	○	○

The time of the components for environment protection concern is 10 years.
The time is valid under the use conditions of this manual.



O: It indicates that the content of the hazardous substances in all homogeneous materials of the components is in compliance with the council RoHS 2 Directive (EU) 2015/863 and (EU) 2017/2102 amending Annex II to Directive 2011/65/EU.

X: It means that the content of the hazardous substance in at least one of the homogeneous materials of the component exceeds the limit requirement specified in the currently valid edition of RoHS 2 Directive (EU) 2015/863 and (EU) 2017/2102 amending Annex II to Directive 2011/65/EU. But the content of the hazardous substance in the component is in the RoHS exemption list, and meet the environmental protection requirements of the EU RoHS Directive.

Recycling of TITAN



The symbol on the product or on its packaging indicates that this product may not be treated as household waste. Instead it should be taken to the appropriate collection point for the recycling of electrical and electronic equipment. By ensuring this product is disposed of correctly, you will help prevent potential negative consequences for the environment and human health, which could otherwise be caused by in-appropriate waste handling of this product. For more detailed information about recycling of this product, please contact your local council, your household waste disposal service or the shop where you purchased the product.



The product meets the necessary requirements of the EU directives applicable to the specific product.

We reserve the right to changes in text, design and technical specifications which are subject to change without prior notice.

Mamibot Manufacturing (Shanghai) Co.,Ltd.

North 21th, No.1 Building, LN1040 Caoyang Rd, Shanghai, P.R.C.

Mamibot Manufacturing USA Inc.

Orange St. #600, Wilmington, New Castle, 19899, Delaware, USA

Tel: 001 302-428-9888 sales@mamibot.com www.mamibot.com

