

**aceline**

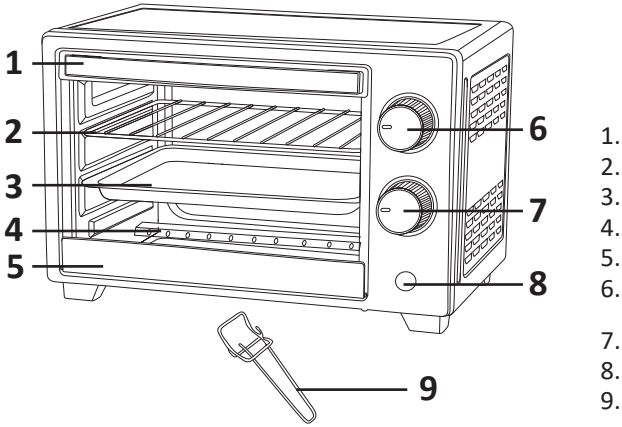


VN-900









- 
- 
- 
- 
- 

15

- 1.
- 2.

- 3.
- 4.
- 5.

„0“-

1.

2.

3.

4.

5.

„0“-

•

•

•

•

•

•

•

•

•

•

, 5°C- 40°C-  
80%-

( ) .

•

•

;

•

•

•

No 6-2,

2-

**Manufacturer:** Foshan O-Max Electric Appliance Co., Ltd.  
No.6-2, Nanlang Industrial Zone 2, Xingtan Town, Shunde District, Foshan City,  
Guangdong Province, China.

/ 405791674

, N 47,

1, 1-2

; info@dns-shop.ge

(EAEU)



: \_\_\_\_\_

v.3

SN/IMEI: \_\_\_\_\_

: \_\_\_\_\_

: 24

: 36

:

• ( )

• , HANDS-FREE ;

( / ),

•

•





**aceline**