

---

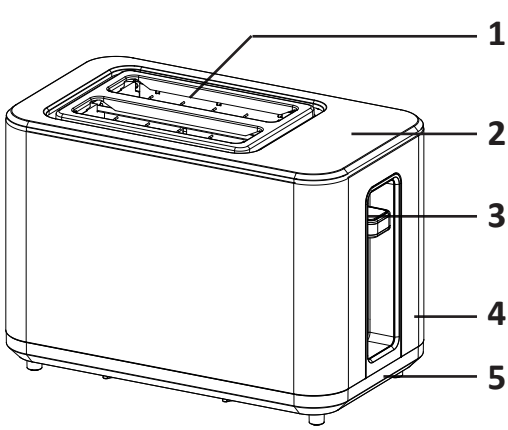
TSM-D90RD

**DEXP**

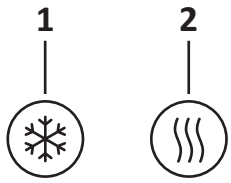




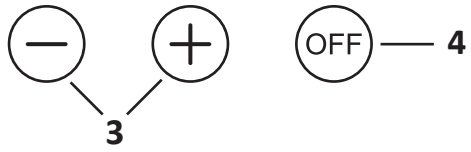




- 1.
- 2.
- 3.
- 4.
- 5.



- 1.
- 2.
- 3.
- 4.



\*  
\*  
\*

- 1.
- 2.
- 3.
- 4.

(1 — " + " " — " , 7 — ).

- 5.
- 6.

3.

:

« " " — »

" "

- 
- 
- 

, " + " " — "

- 
- 

,

1.

2.

3.

4.

•

•

80%-, 5°C- 40°C-

( )

•

•

•

•

•

**Manufacturer:** Jiangmen Yongkeng Electric and Hardware Co., Ltd.  
1-3 Plant, No.7 Yijing Avenue, Duruan Town, Pengjiang District, Jiangmen City, Guangdong Province, P.R.China.

:  
1-3, №7, , , .  
, , .

:

/ 405791674 , , ,  
, N 47, 1, 1-2 ; info@dns-shop.ge

(EAEU)

: www.dexp.club



: \_\_\_\_\_

V.1

SN/IMEI: \_\_\_\_\_

\_\_\_\_\_

:24  
:36

HANDS-FREE





