

reoka

ELECTRIC KETTLE

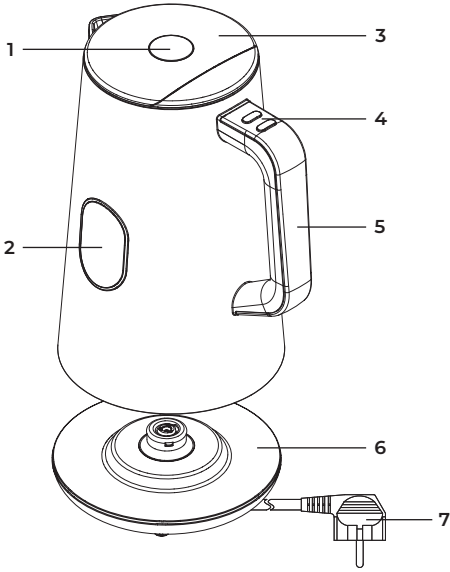
RKEK-01TSG

REOKA

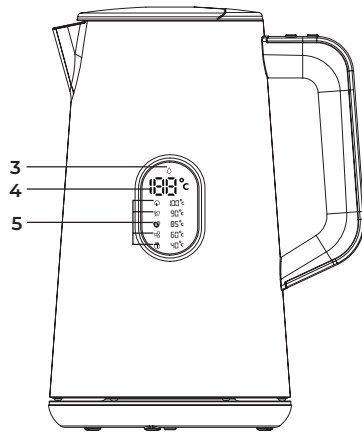
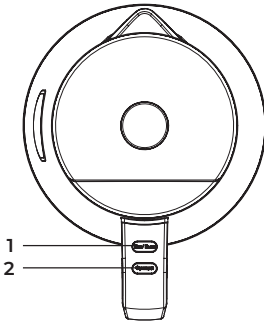
.REOKA-

,REOKA

- 1.
- 2.
- 3.
- 4.
- 5.
- 6.
- 7.
- 8.
- 9.
- 10.
- 11.
- 12.
- 13.
- 14.
- 15.
- 16.
- 17.
- 18.
- 19.
- 20.
- 21.
- 22.
- 23.
- 24.



- 1.
2. LED-
- 3.
- 4.
- 5.
- 6.
- 7.



- 1.
- 2.
3. " "
- 4.
5. 100, 90, 85, 60, 40 °C.

- : RKEK-01TSG.
- : Reoka.
- : 220-240 , 50 .
- : 1,5 .
- : 1500 .
- : 1800 .
- :
- : 40-100 °C.
- : 204 × 157 × 275 .
- : 70 .
- : Y.
- : I.
- : IPX0.
- :

-
-
-

-
-

-
-

-
-

-
-

-
-

-
-

MAX

100°C-

(85°C),

(60°C),

(40°C).

24

: (90°C),

2

-
- “ 2 ”
- 100 °C.
-
-
- (85°C), (60°C), (40°C). : (90°C),
- 24
-
- 2

- 1.
- 2.
- 3.

40°C- 80%- 5°C-

()

/

: 24
: 36

Manufacturer: Jiangmen Yongkeng Electric and Hardware Co., Ltd.
Block 1-3, No.7 Yijing Ave., Duruan Town, Pengjiang District, Jiangmen City, Guangdong
Province, China.

1-3, №7

/ 405791674

, N 47,

1, 1-2

info@dns-shop.ge

TP TC (EAЭC)

V.3



