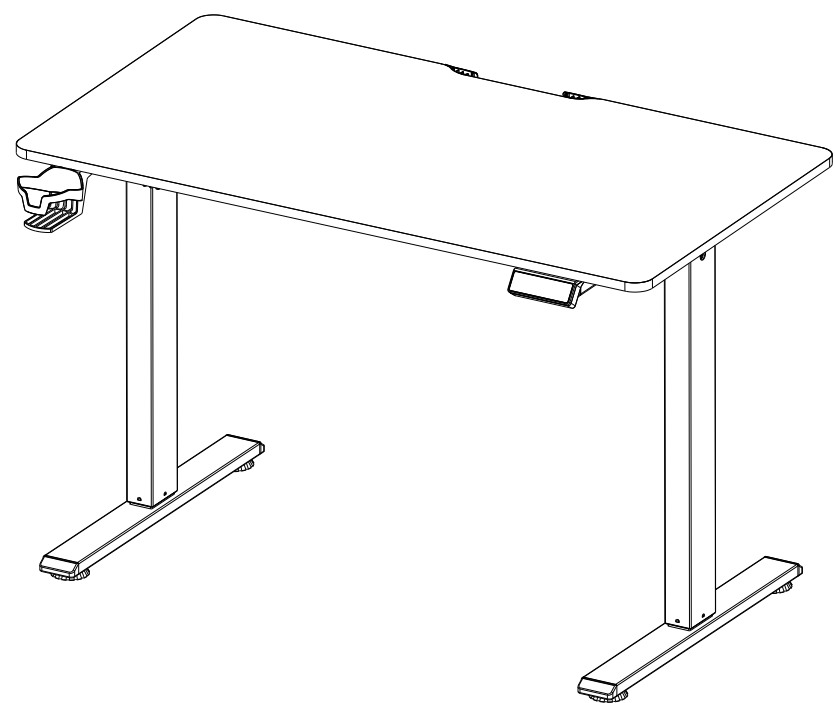
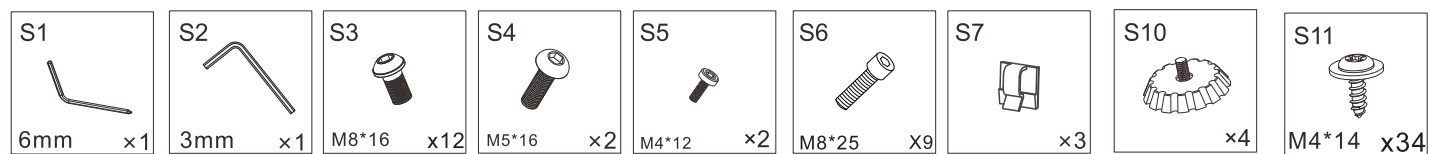


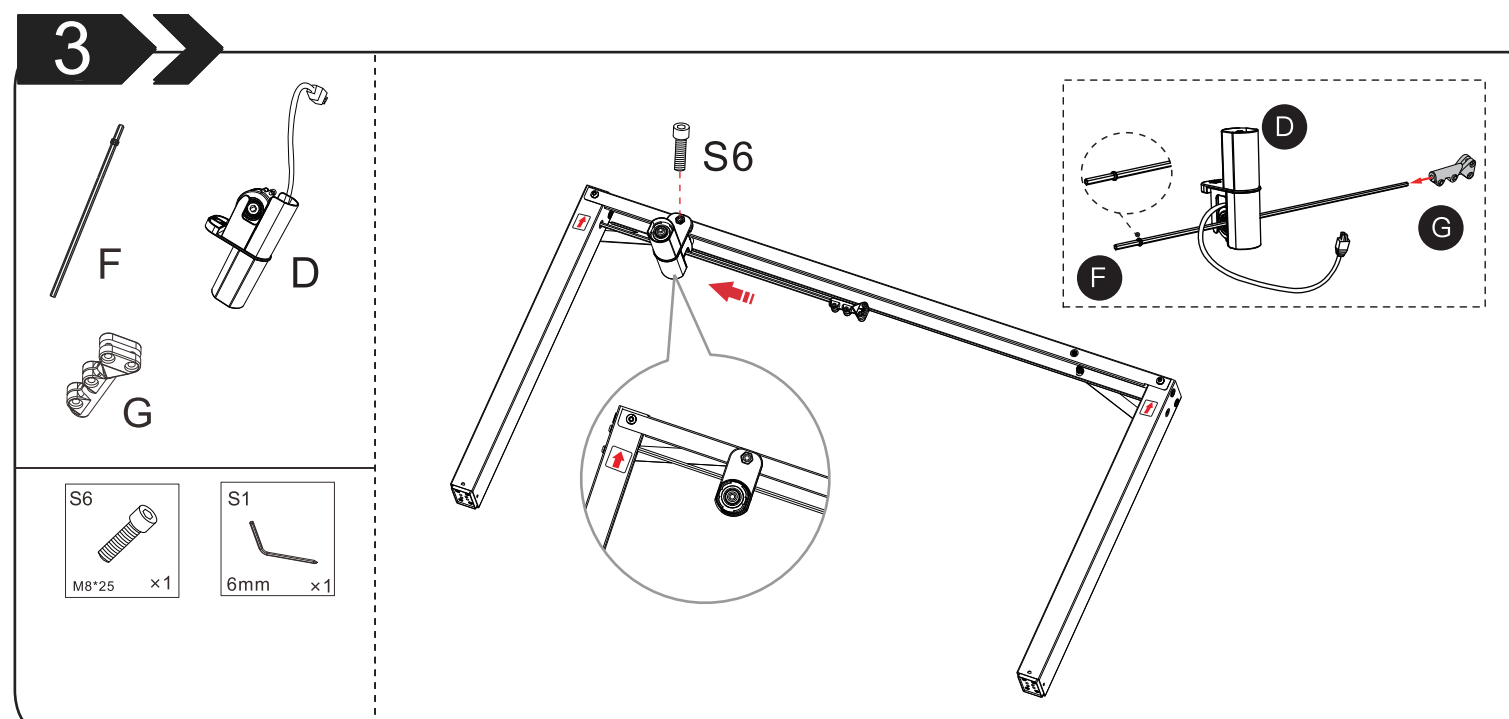
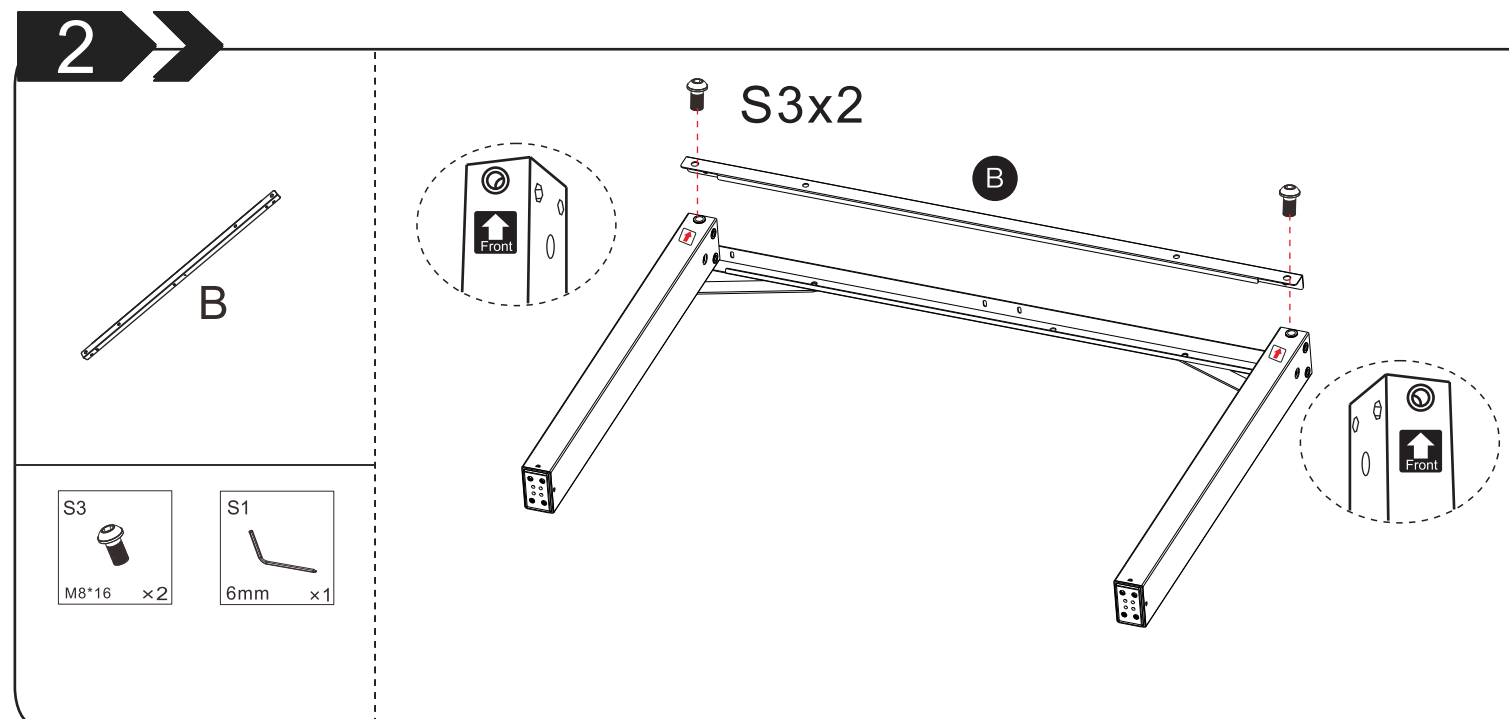
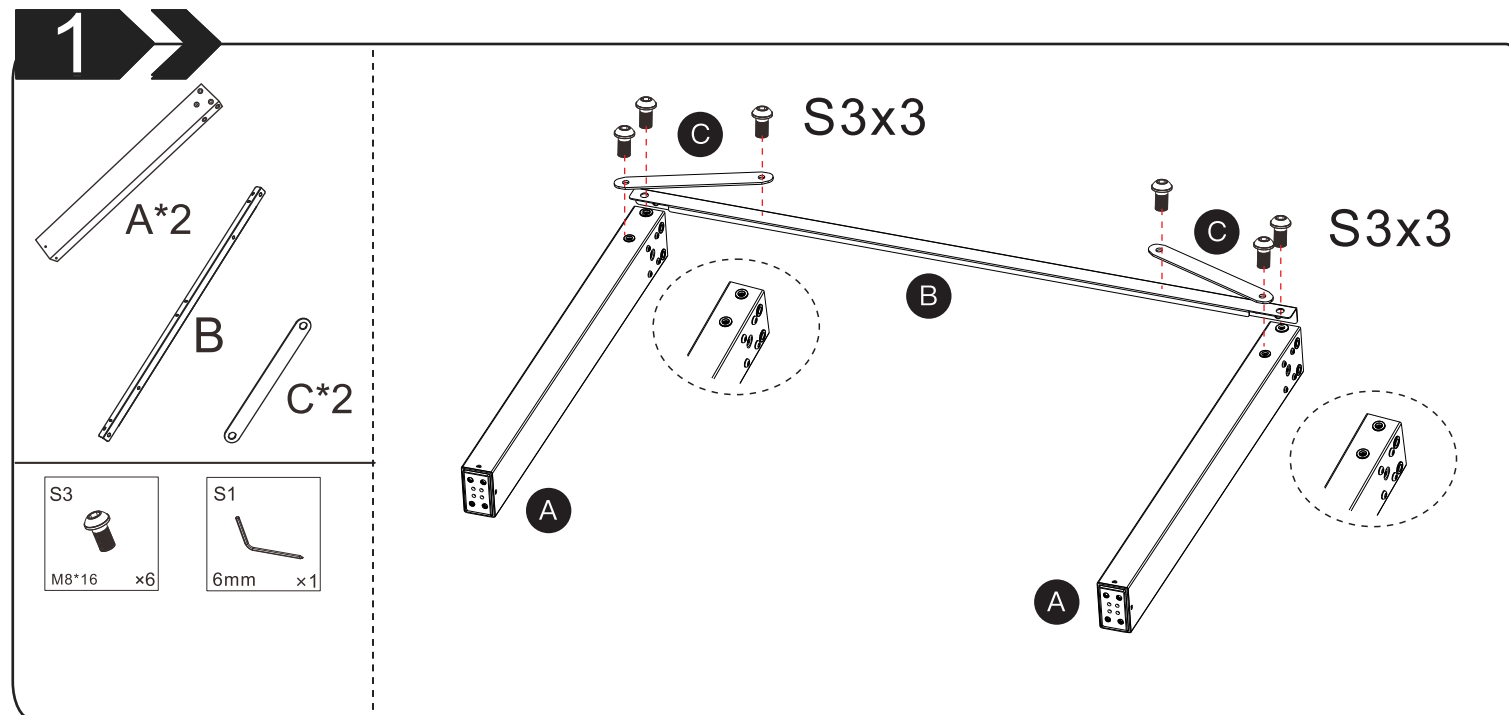
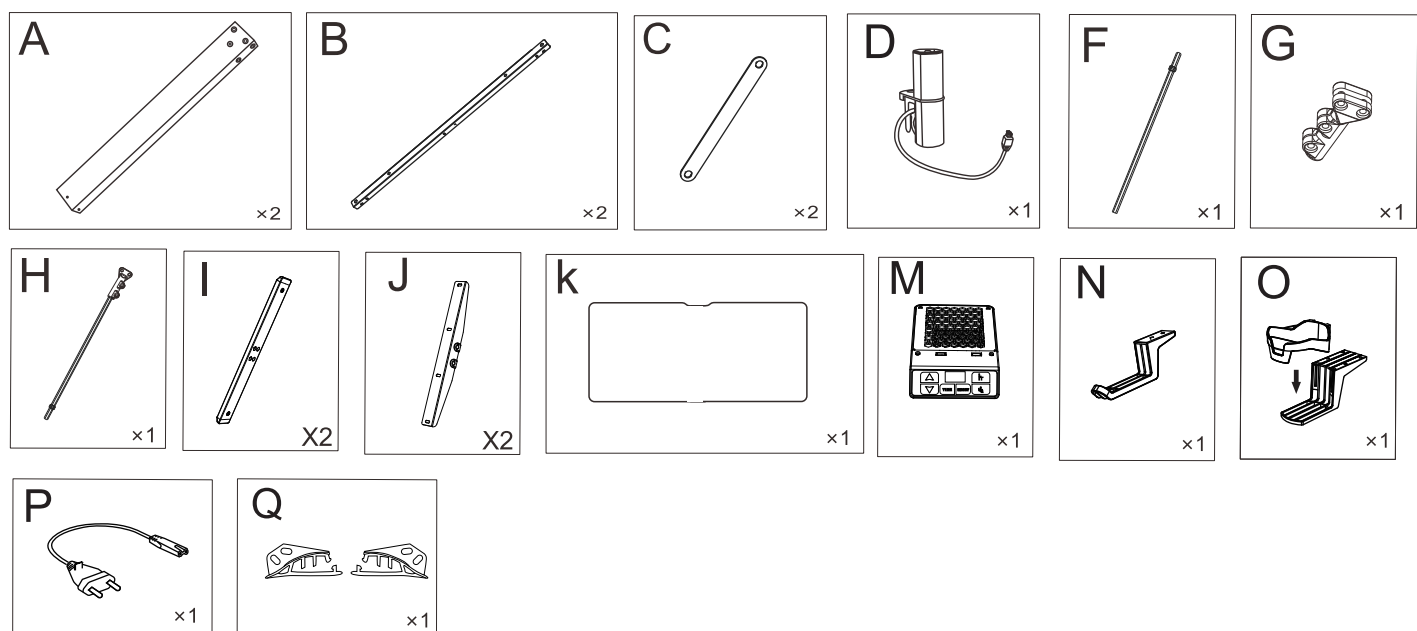
Assembly Instruction



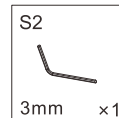
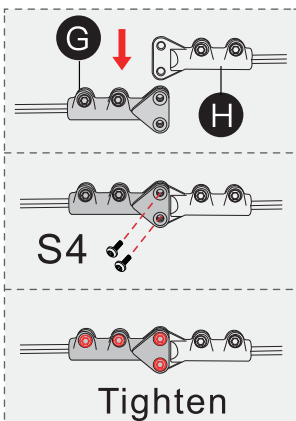
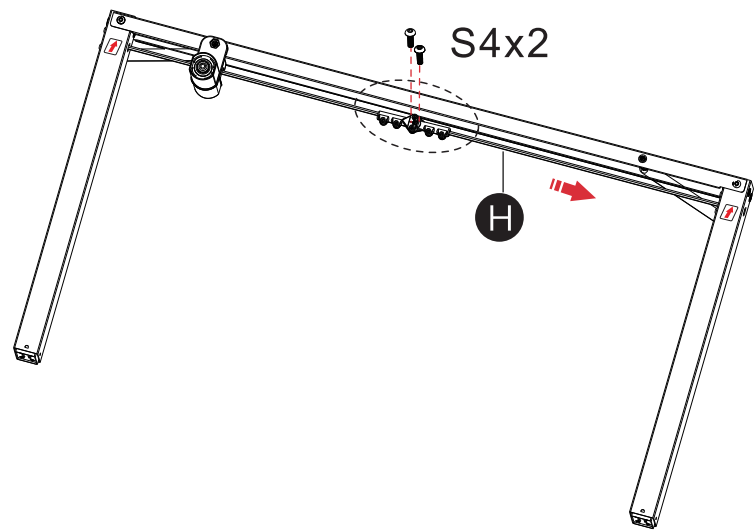
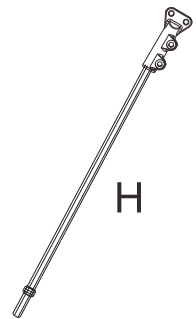
• SCREW ACCESSORIES



• PARTS ACCESSORIES



4



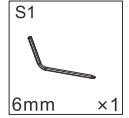
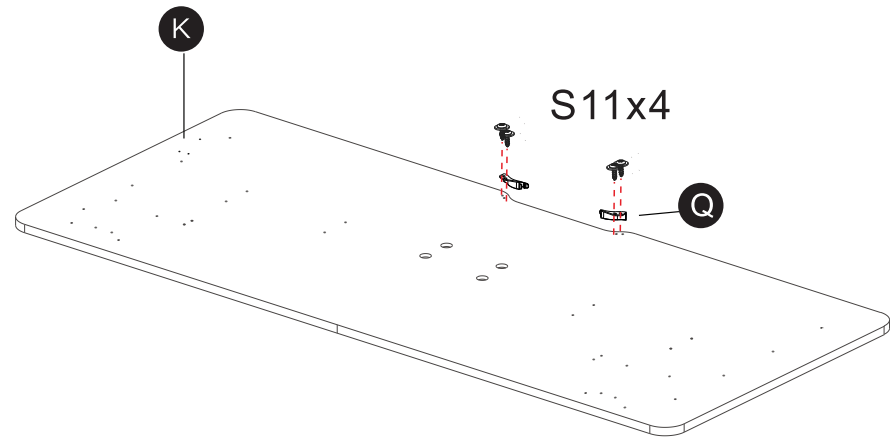
7



k

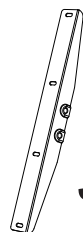


Q

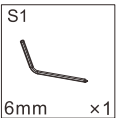
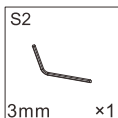
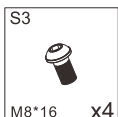
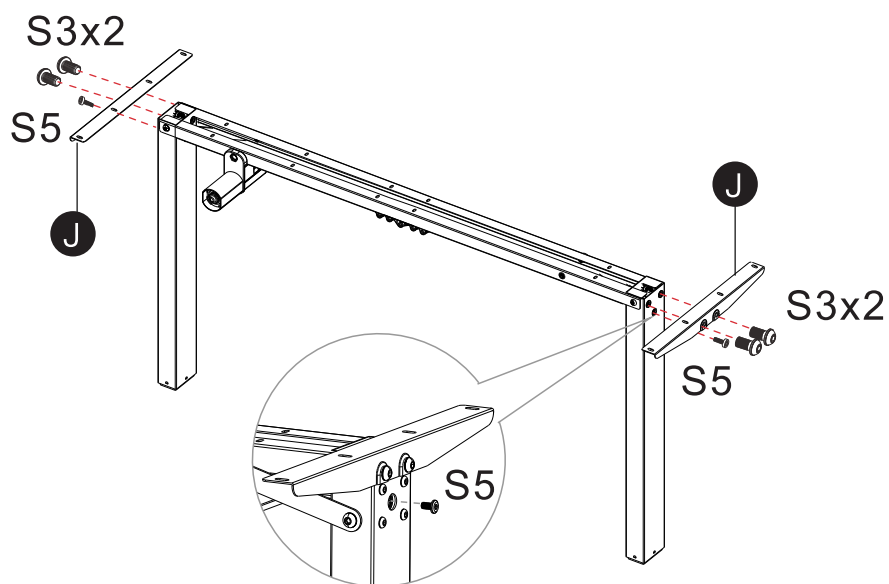


1. Please make sure the two boards are aligned and seamless
2. and then tighten the screws.

5



Jx2



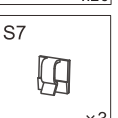
8



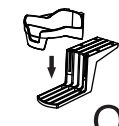
M



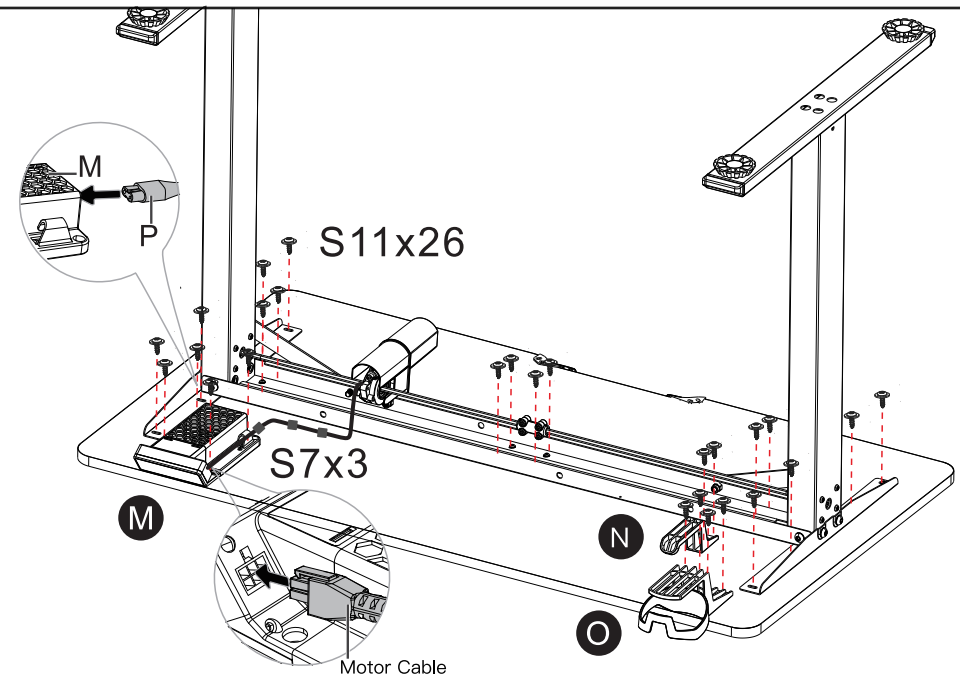
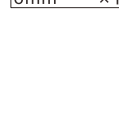
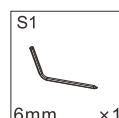
P



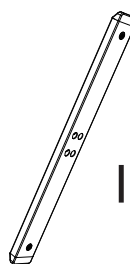
N



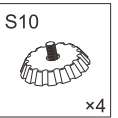
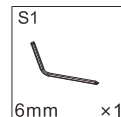
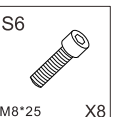
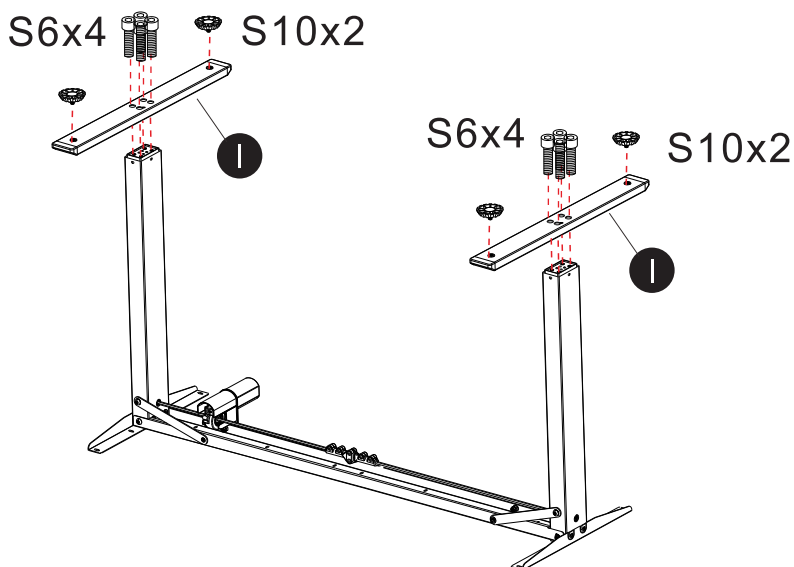
O



6

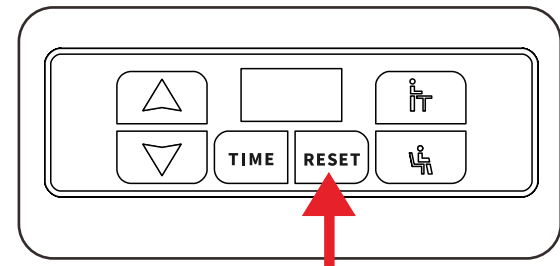
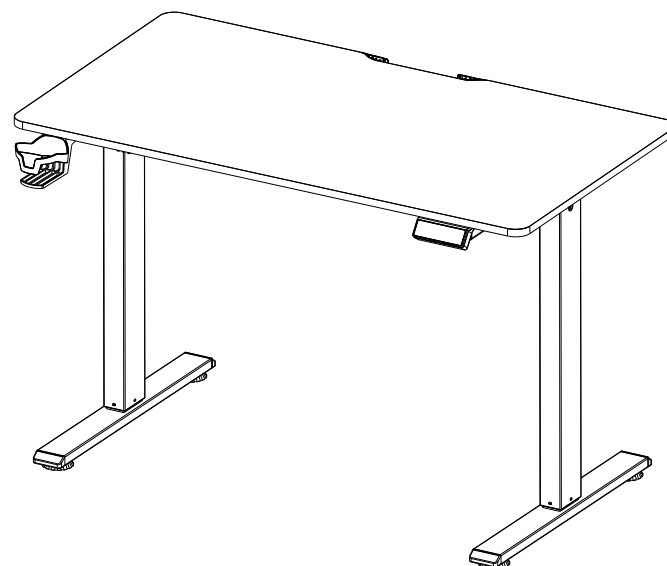


Ix2



Please make sure the table legs are vertical to the connecting rod. And then tighten all the screws.

9



After the table is installed, please press the RST key to start