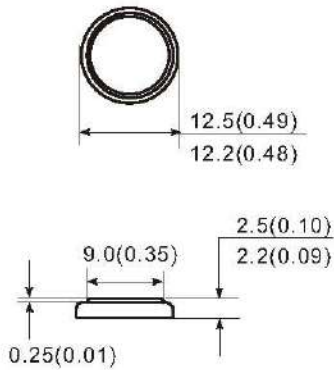


LITHIUM BUTTON CELL

Document Title: PB041225

CR1225



Unit:mm(inch)

Chemical System : Lithium/Manganese Dioxide

IEC Name: CR1225

ANSI/NEDA: 5020LC

Camelion Model : CR1225

Average Weight : 1.0g

Dimension (\varnothing x H) : $12.5^{+0.3} \times 2.5^{+0.2}$ mm
 $0.49^{+0.01} \times 0.10^{+0.01}$ inch

Terminals: Flat, pins, tabs

Nominal Voltage : 3.0Volts

Capacity : 50mAh

($20 \pm 2^\circ\text{C}$, Rated at $62\text{k}\Omega$ to 2.00V)

Standard Discharge Current: 0.1mA

Max. Continuous Discharge Current: 0.2mA

Max. Pulse Discharge Current: 5.0mA

Operating Temperature: $-20^\circ\text{C} \sim 60^\circ\text{C}$

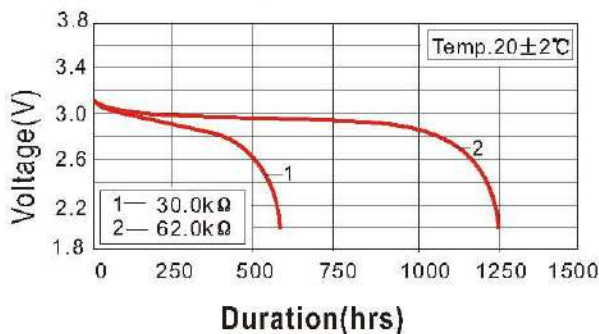
Storage Conditions

Temperature: $-20^\circ\text{C} \sim 45^\circ\text{C}$

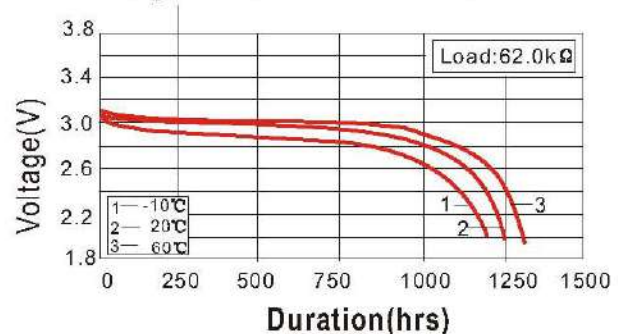
Relative Humidity: $60 \pm 15\%$

Cross Reference: E-CR1225(Energizer),
 DL1225(Duracell),KECR1225(Rayovac)

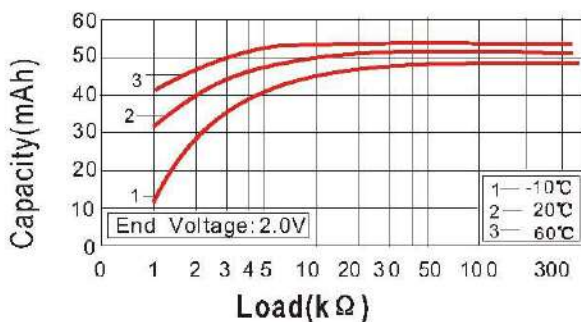
Discharge characteristics



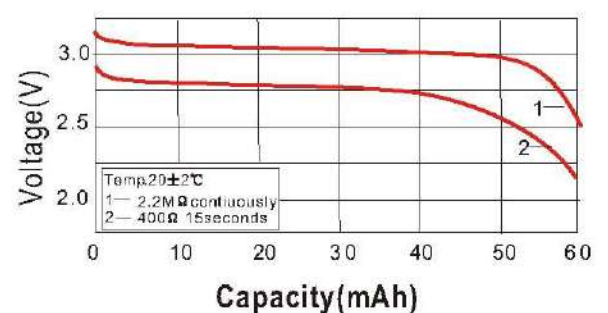
Temperature Characteristics



Load-capacity characteristic



Pulse Discharge Characteristic



Notice:

Environmental elements comply with RoHS requirements. This information is subject to change without prior notice and for reference only. It should not be used as a basis for a product guarantee or warranty. For additional information, please consult your nearest Camelion Sales Office or Distributor or visit our website at: www.camelionbattery.com.