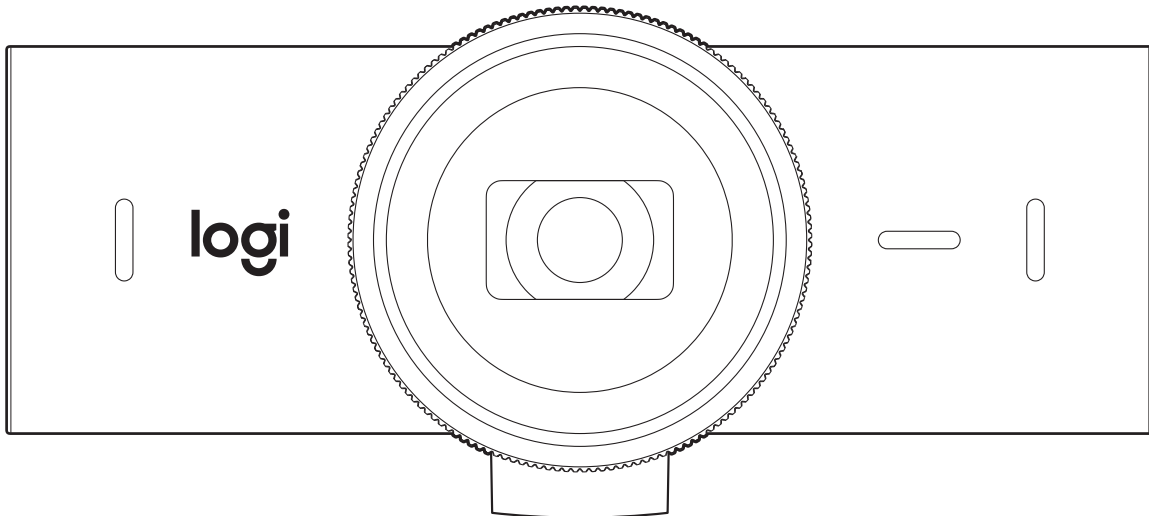


MX BRIO 705 FOR BUSINESS

Setup Guide
设置指南



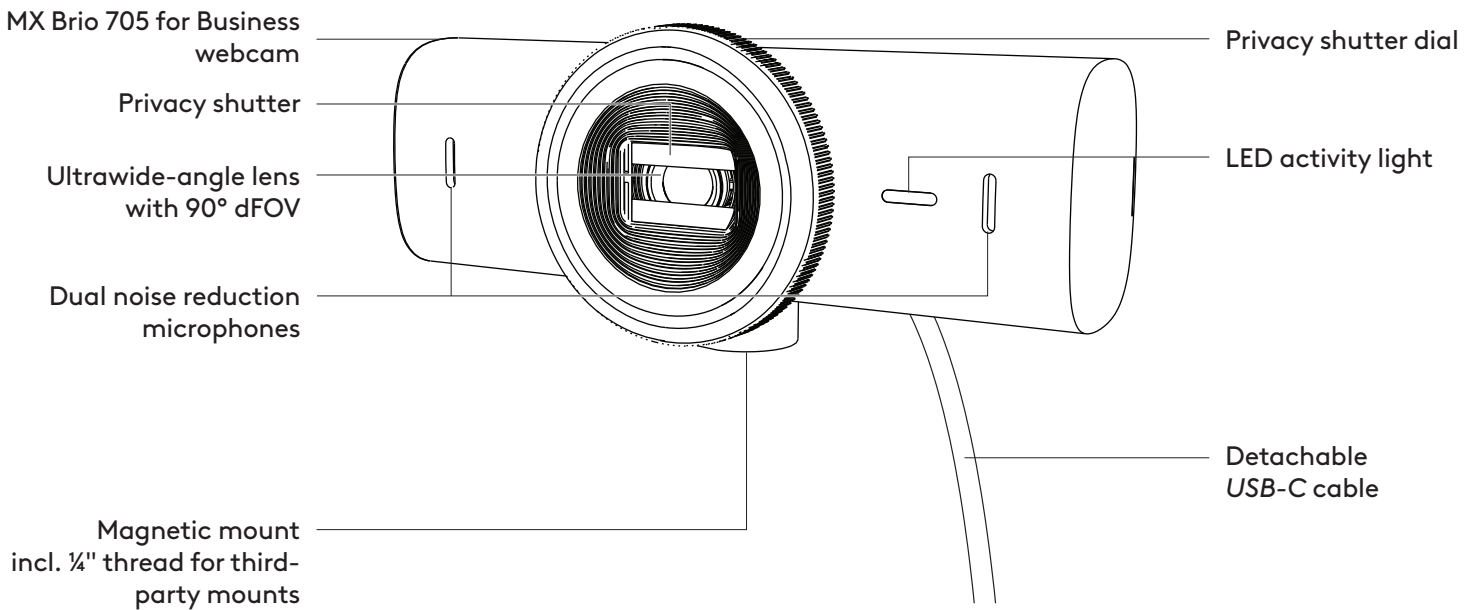
CONTENTS

English 3

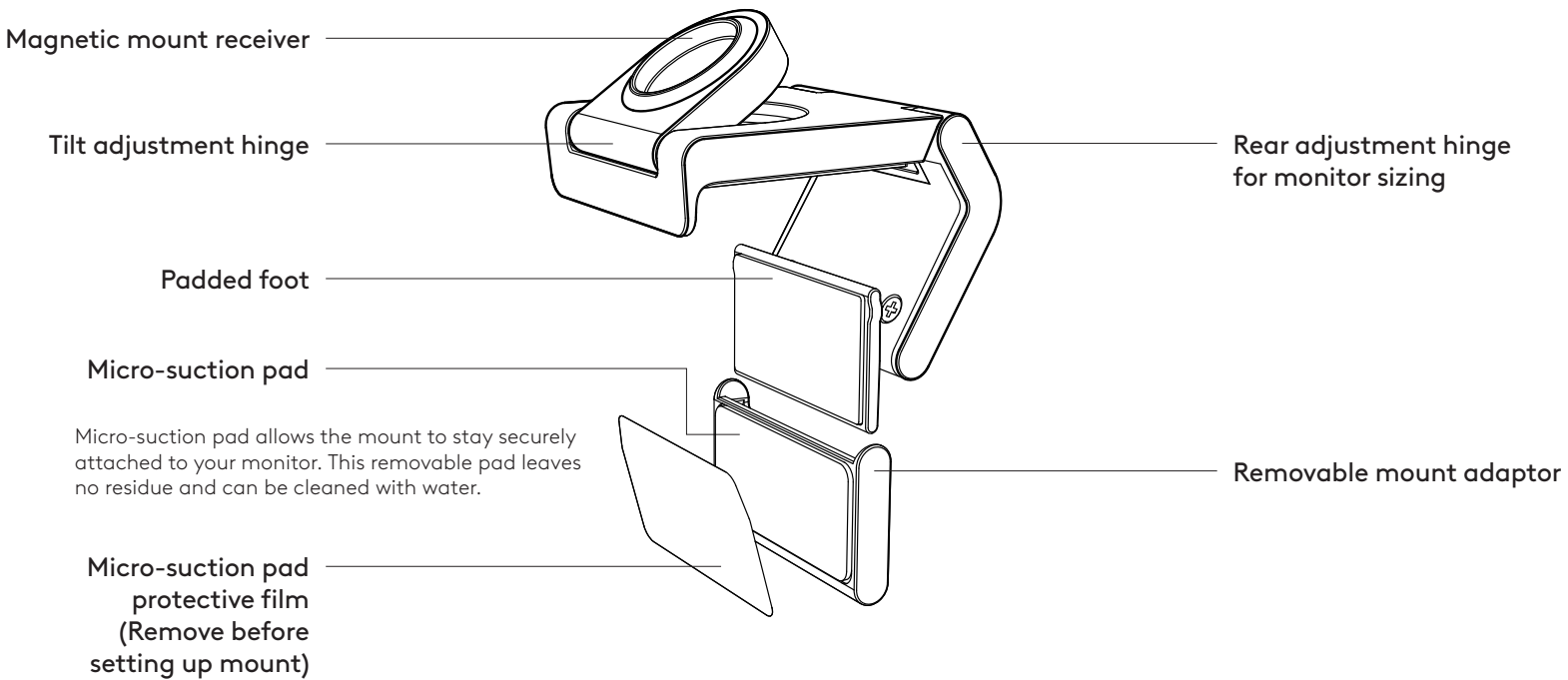
简体中文 11

KNOW YOUR PRODUCT

MX BRIO 705 FOR BUSINESS FRONT VIEW WITH FUNCTION INDICATIONS

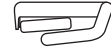
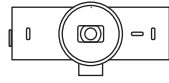


MOUNT DESIGN OVERVIEW



STEP 1: WHAT'S IN THE BOX

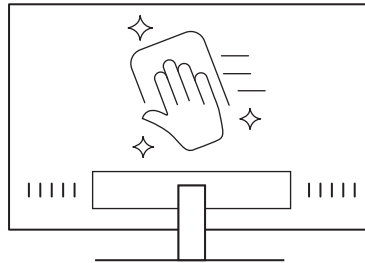
1. Webcam MX Brio 705 for Business
2. USB-C 3.0 cable
3. Mount clip with removable mount adaptor
4. User documentation



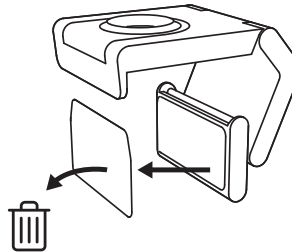
STEP 2: DETERMINE MOUNT PLACEMENT

Placement to allow one-handed camera adjustments (using micro-suction pad)

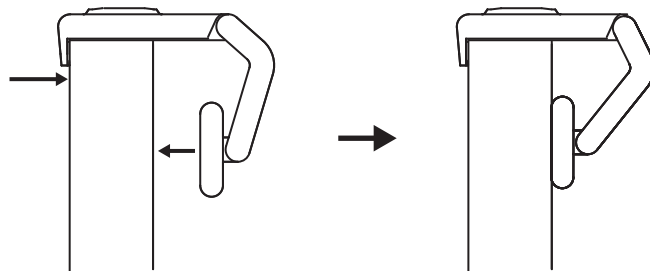
1. Determine the best placement for your webcam before continuing.
2. Wipe the back of your monitor to clear any dust or dirt.



3. Remove the protective film from the micro-suction pad.



4. Open the mount fully and place on top of your monitor, being sure that the pad of the front clip makes contact with the front of the monitor.
5. Rotate the rear foot down until it makes contact with the back of the monitor.
6. Press the micro-suction pad to the back of your monitor firmly to create a good bond.

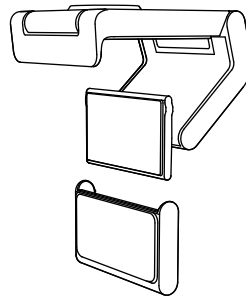


Note:

- The mount adaptor can be removed and reused for mounting adjustments without leaving residue.
- To clean the micro-suction pad, rinse with water to remove debris, and let it air dry in order to regain strong suction.

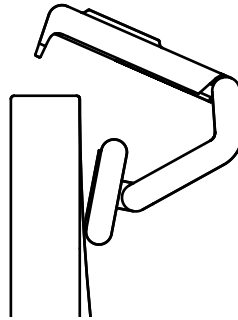
(Optional) Placement without the micro-suction pad

Slide the removable mount adapter down to remove it from the webcam foot. Adjust the foot on the mounting clip until it is flush with the back of your device and press firmly in place.



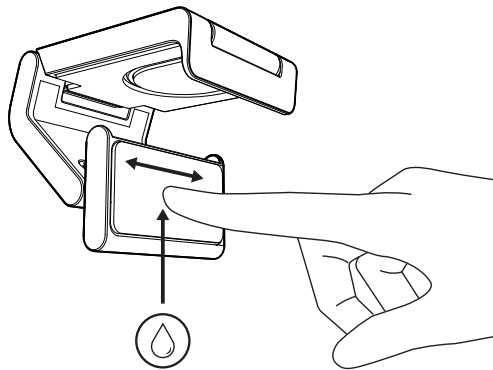
STEP 3: MOUNT ADAPTOR REMOVAL AND CLEANING

1. Remove the webcam from mount and gently peel the adaptor from one corner to remove.



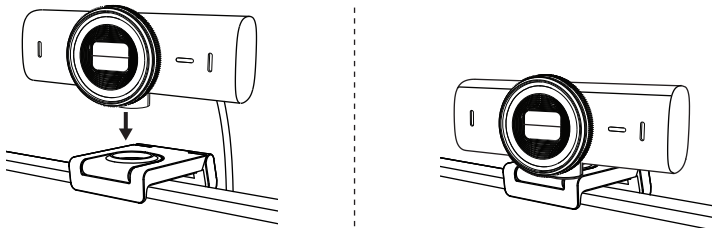
2. With a wet finger gently rub the pad clear of dust and dirt and let the micro-suction pad air dry completely before remounting (do not use cloth or tissue to dry).

3. Repeat the monitor placement setup steps to best deploy your webcam.



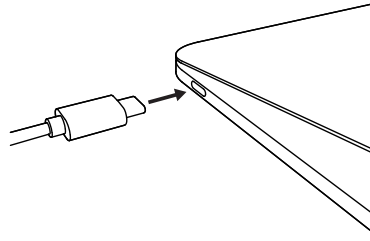
STEP 4: ATTACH CAMERA TO THE MOUNT

Place the webcam into the magnet attachment point on top of the mount. Listen for an audible click indicating the webcam is properly seated on the mount.

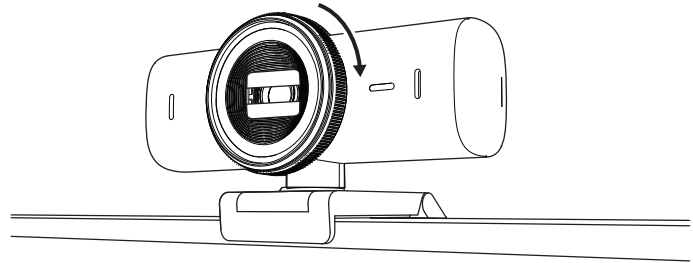


STEP 5: CONNECT THE WEBCAM VIA USB-C & GET STARTED

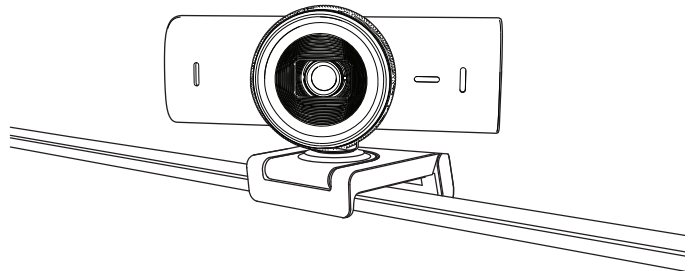
1. Plug the *USB-C* connector into the *USB-C* port on your computer, monitor, laptop, or docking station.



2. Rotate the dial at the front of the webcam to open/close the privacy shutter.








3. Adjust the webcam by turning side to side and tilting up and down to find the best framing for your video meetings.



STEP 6: SUCCESSFUL CONNECTION

LED activity light will light up when the webcam is in use by any video application.

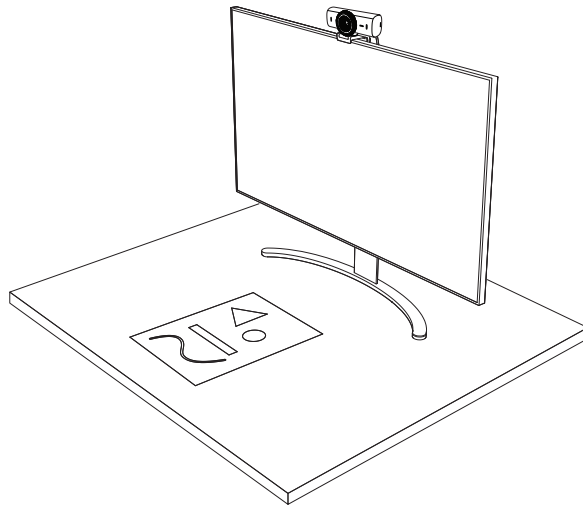
LED activity lights:

- Video ON / Audio ON: White 
- Video ON / Audio OFF: White 
- Video OFF / Audio ON: Yellow 
- Video OFF / Audio OFF: No light 
- Firmware Update: Breathing Lilac 

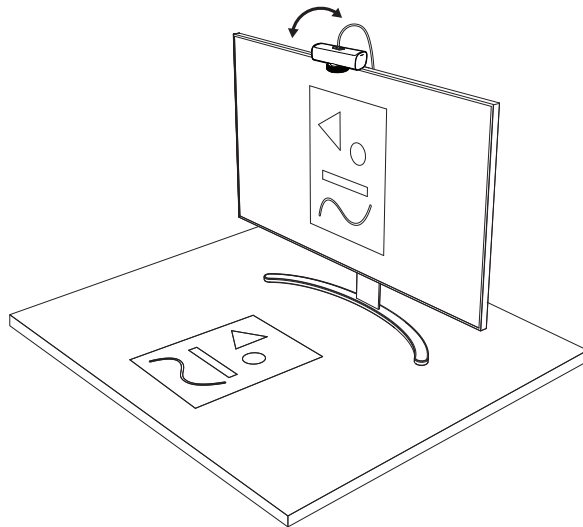
STEP 7: SHOW MODE

Easily show physical items in video calls by tilting the camera down to present sketches, objects, and work in progress. There are two ways to use Show Mode:

1. **If mount is secured with micro-suction pad:**
Using one hand, tilt the camera down to show your desktop, and tilt back up to show yourself.



2. **If mount is not secured with micro-suction pad:**
Hold the mount still with one hand and tilt the camera up or down with the other.



Note:

The Show Mode feature requires users to download and use Logi Tune.

STEP 8: LOGI TUNE

Logi Tune helps boost your webcam performance with periodic software and firmware updates.

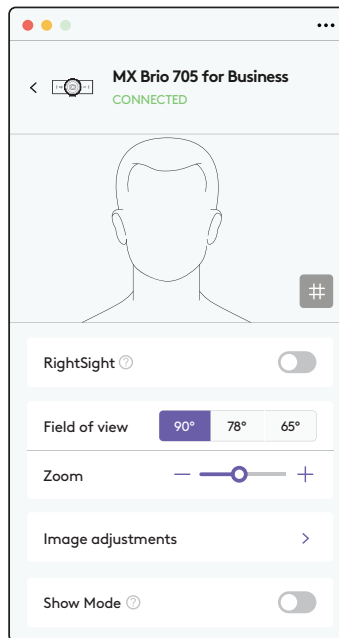
It is recommended to update your webcam. To do so, download Logi Tune from www.logitech.com/tune



www.logitech.com/tune

ADJUSTABLE OPTIONS

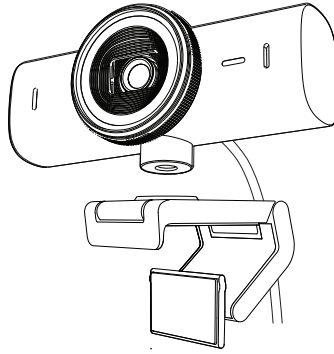
- Show Mode
- Auto-framing
- Zoom adjustment
- Field of View (90°/78°/65°)
- Image adjustment
- Auto-focus
- Disable mics
- LED on/off for video and audio



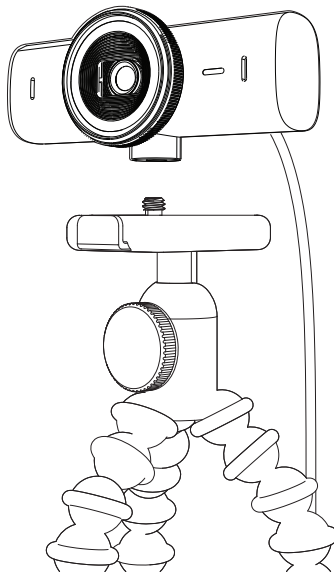
STEP 9: (OPTIONAL) ATTACH TO A TRIPOD

For placement on a tripod (not included)

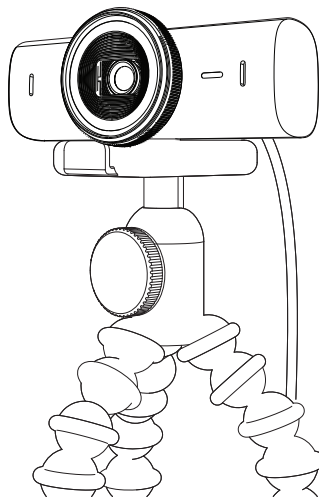
1. Remove the detachable universal mounting clip from the webcam.



2. Locate the 1/4 inch tripod thread on the bottom of the webcam.



3. Secure the webcam on your tripod by twisting it into the 1/4 inch thread.
4. Repeat the monitor placement setup steps to best deploy your webcam.
5. Please refer to step 5 and 6 to complete your webcam setup.



DIMENSIONS

WEBCAM:

Height x Width x Depth:

1.7 in (43.6 mm) x 3.9 in (98 mm) x 1.4 in (36.2 mm)

Height x Width x Depth:

2.4 in (61.6 mm) x 3.9 in (98 mm) x 2.1 in (52.2 mm), incl. mount clip

Weight: 4.8 oz (136 g)

Weight: 6.1 oz (174 g), incl. mount clip

Attached cable length: 5 ft (1.5 m)

MOUNTING CLIP:

Height x Width x Depth:

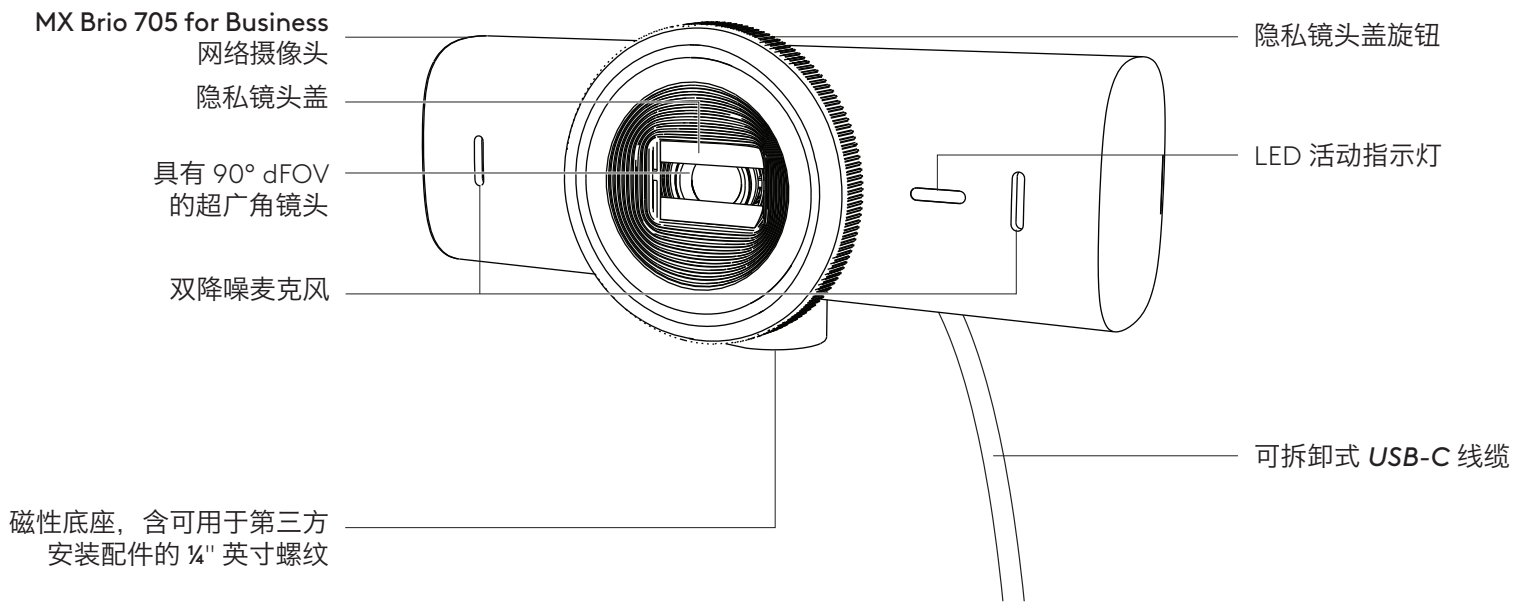
1 in (25 mm) x 1.8 in (45.8 mm) x 2.6 in (65.1 mm)

Weight: 1.4 oz (40 g), incl. removable mount adapter

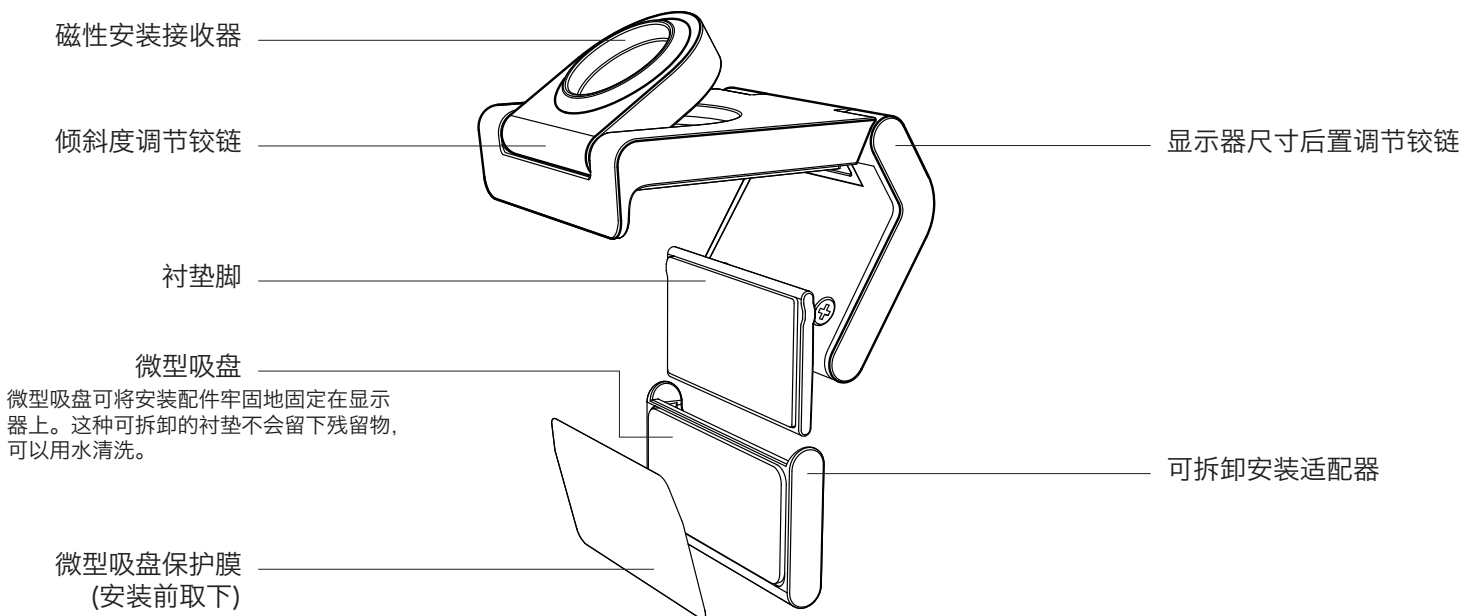
www.logitech.com/prosupport/mx-brio-705-for-business

了解您的产品

MX BRIO 705 FOR BUSINESS 前视图，带功能指示

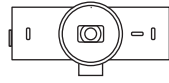


安装配件设计概览



步骤 1: 包装内容

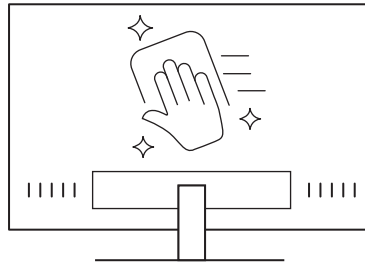
1. 网络摄像头 MX Brio 705 for Business
2. USB-C 3.0 线缆
3. 带可拆卸安装适配器的安装夹
4. 用户文档



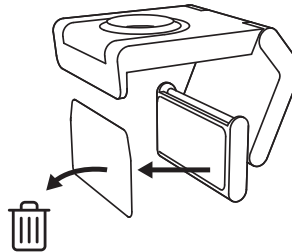
步骤 2: 确定安装位置

单手调节摄像头位置（使用微型吸盘）

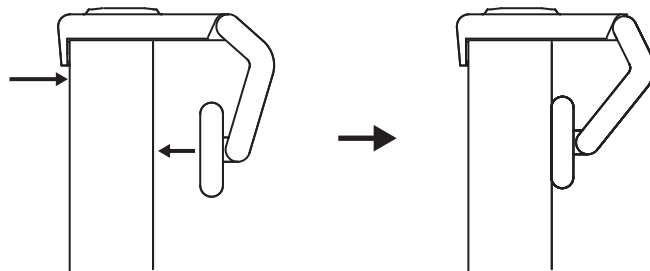
1. 在继续之前确定网络摄像头的理想位置。
2. 擦拭显示器背面以清除灰尘或污垢。



3. 取下微型吸盘的保护膜。



4. 完全打开支架并将其放在显示器顶部，确保前夹板的衬垫与显示器的正面接触。
5. 向下旋转后支脚，直至接触到显示器的后部。
6. 将微型吸盘牢固地按在显示器背面，以形成良好的粘合。

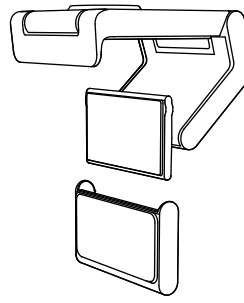


注意：

- 安装适配器可以移除并重新用于安装调整，而不会留下任何残留物。
- 清洁微型吸盘时，请先用水冲洗掉碎屑，然后自然风干以恢复强大的吸力。

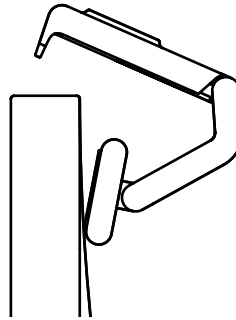
(可选) 不使用 微型吸盘放置

向下滑动可拆卸安装适配器，将其从网络摄像头脚上卸下。调整安装夹上的支脚，直至与设备背面齐平，然后用力按压到位。



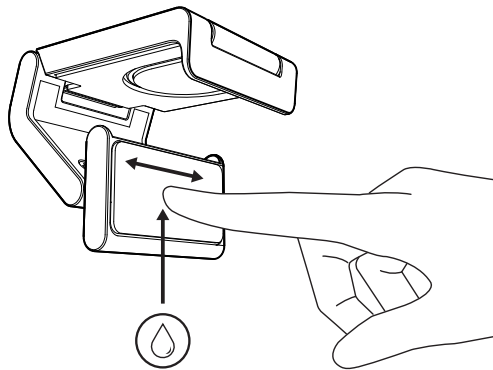
步骤 3: 安装适配器的拆卸和清洁

1. 从安装配件上取下网络摄像头，轻轻地从一角剥下适配器以将其取下。



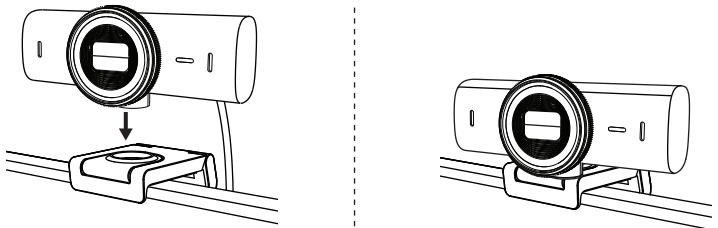
2. 用沾湿的手指轻轻擦去灰尘和污垢，让微型吸盘完全风干，然后再重新安装（不要使用布或纸巾擦干）。

3. 重复显示器放置设置步骤，以更好地部署网络摄像头。



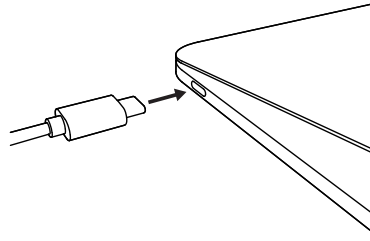
步骤 4: 将摄像头安装到安装配件上

将网络摄像头放入安装配件顶部的磁铁连接点。听到咔嚓声，表示网络摄像头已正确安装在支架上。

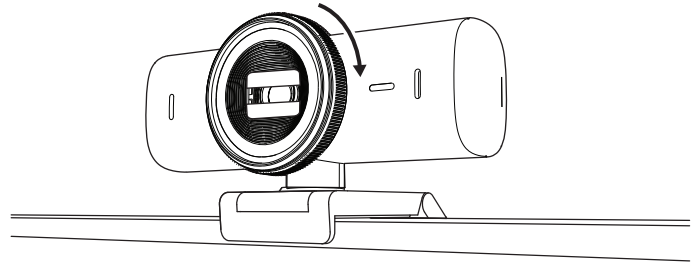


步骤 5: 通过 USB-C 连接网络摄像头并开始使用

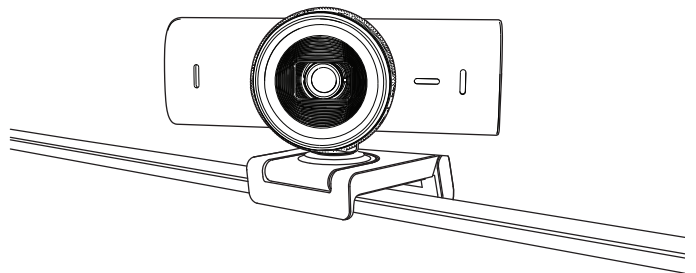
1. 将 USB-C 接头插入电脑、显示器、笔记本电脑或扩展坞的 USB-C 端口。



2. 旋转网络摄像头正面的旋钮可以打开/关闭隐私镜头盖。








3. 通过左右转动和上下倾斜来调整网络摄像头，找到适合视频会议的取景画面。



步骤 6: 成功连接

当任何视频应用程序使用网络摄像头时，LED 活动指示灯都将点亮。

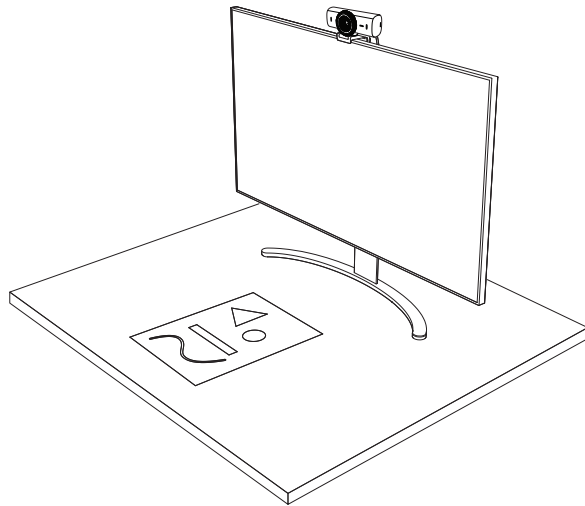
LED 活动指示灯：

- 视频开启/音频开启：白色 
- 视频开启/音频关闭：白色 
- 视频关闭/音频开启：黄色 
- 视频关闭/音频关闭：无指示灯 
- 固件更新：紫色呼吸灯 

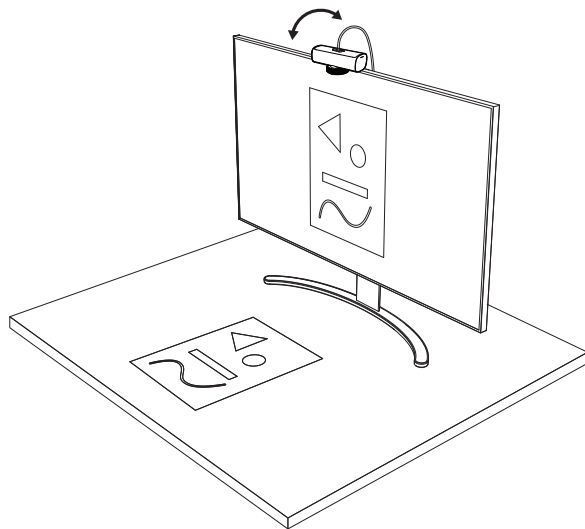
步骤 7: SHOW MODE

可向下倾斜摄像头以拍摄手绘、拍摄对象和进行中的工作，轻松将实体内容展示在视频通话之中。有两种使用显示模式的方法：

1. **如果支架是用微型吸盘固定的：**用一只手向下倾斜摄像头即可拍摄桌面，向后倾斜即可拍摄您自己。



2. **如果支架没有用微型吸盘固定：**一手握住支架，另一只手向上或向下倾斜摄像头。



注：

Show Mode 功能需要用户下载并使用 Logi Tune。

步骤 8: LOGI TUNE

Logi Tune 通过定期的软件和固件更新帮助改善网络摄像头性能。

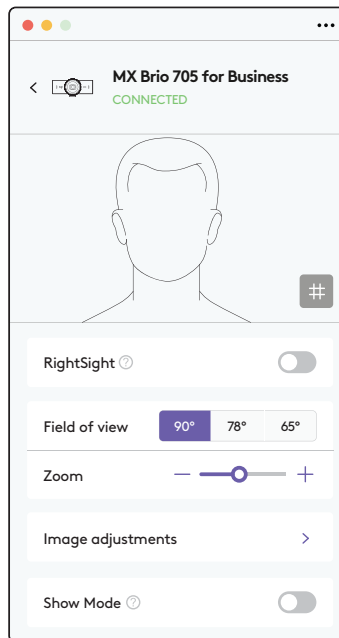
建议您及时更新网络摄像头。为此，请访问 www.logitech.com/tune 下载 Logi Tune



www.logitech.com/tune

可调节选项

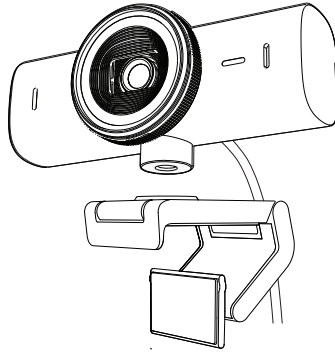
- Show Mode
- 自动取景
- 变焦调节
- 视野 (90°/78°/65°)
- 画面调节
- 自动对焦
- 禁用麦克风
- 视频和音频 LED 开/关



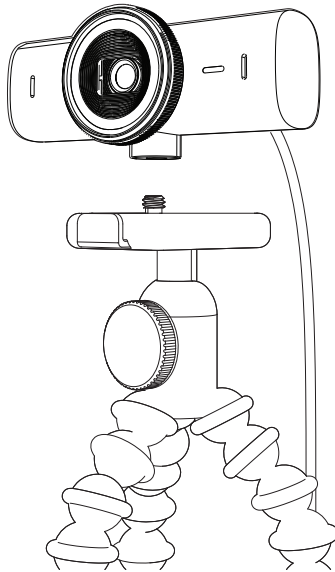
步骤 9: (可选) 连接三脚架

放置于三脚架上 (需另购)

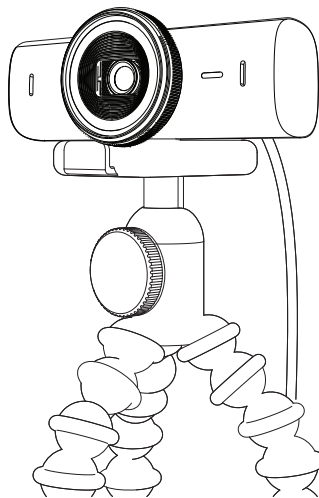
1. 从网络摄像头上卸下可拆卸的通用安装夹。



2. 找到网络摄像头底部的 ¼ 英寸三脚架安装螺纹。



3. 将三脚架拧入 ¼ 英寸安装螺纹, 将网络摄像头固定于三脚架上。
4. 重复显示器放置设置步骤, 以更好地部署网络摄像头。
5. 请参阅步骤 5 和 6 完成网络摄像头设置。



尺寸

网络摄像头:

高 x 宽 x 深:

约 43.6 毫米 x 约 98 毫米 x 约 36.2 毫米

高 x 宽 x 深:

约 61.6 毫米 x 约 98 毫米 x 约 52.2 毫米 (含安装夹)

重量: 约 136 克 (4.8 盎司)

重量: 约 174 克 (6.1 盎司) (含安装夹)

随附线缆长度: 约 1.5 米

安装夹:

高 x 宽 x 深:

约 25 毫米 x 约 45.8 毫米 x 约 65.1 毫米

重量: 约 40 克 (含可拆卸安装适配器)

www.logitech.com/prosupport/mx-brio-705-for-business