



MPG Series

Fan

MPG EZ120 ARGB

MPG EZ120 ARGB WHITE

MPG EZ120R ARGB

MPG EZ120R ARGB WHITE

User Guide

Contents

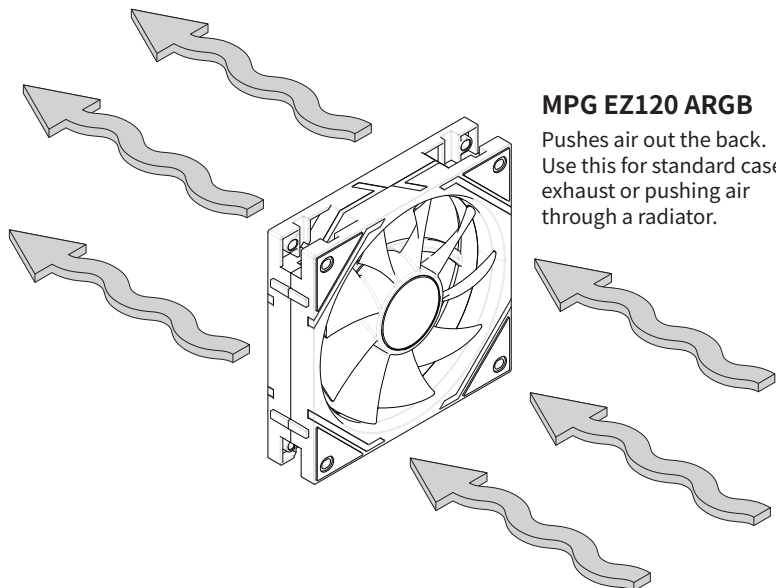
Specifications	3
Airflow Direction.....	4
Package Contents - Three Fans	5
Package Contents - Four Fans	6
Package Contents - Single Fan	7
Safety Information	8
Installation - Multiple Fans	9
Daisy Chaining Fans.....	12
Hub Connection	13
Attaching the Hub with Magnet Plate	14
Installation - Single Fan	15
JAF_2 Compatibility Information.....	17
Mystic Light Usage Instructions.....	18
Cooling Wizard Usage Instructions	20
General Information	21

Specifications

	MPG EZ120 ARGB	MPG EZ120R ARGB
	MPG EZ120 ARGB WHITE	MPG EZ120R ARGB WHITE
Dimensions (L x W x H)	120 x 120 x 28 mm / 4.7 x 4.7 x 1.1 inches	
Exterior Color	Black / White	
Rated Voltage	12 V	
Fan Speed	0 ~ 1900 ±10% RPM	0 ~ 1800 ±10% RPM
Airflow	73.82 CFM	66.72 CFM
Air Pressure	2.56 mmH2O	1.82 mmH2O
Max. Noise Level	28.82 dBA	30.78 dBA
Bearing Type	Fluid Dynamic Bearing	
Connector Type	4 pin PWM + 3 pin ARGB / 7 pin JAF	
Rating Voltage	DC 12 V (fan) / 5 V (LED)	
Rated Current	0.25 A Max.	
Input Power	3 W Max.	
Fan Weight	201g / pcs	

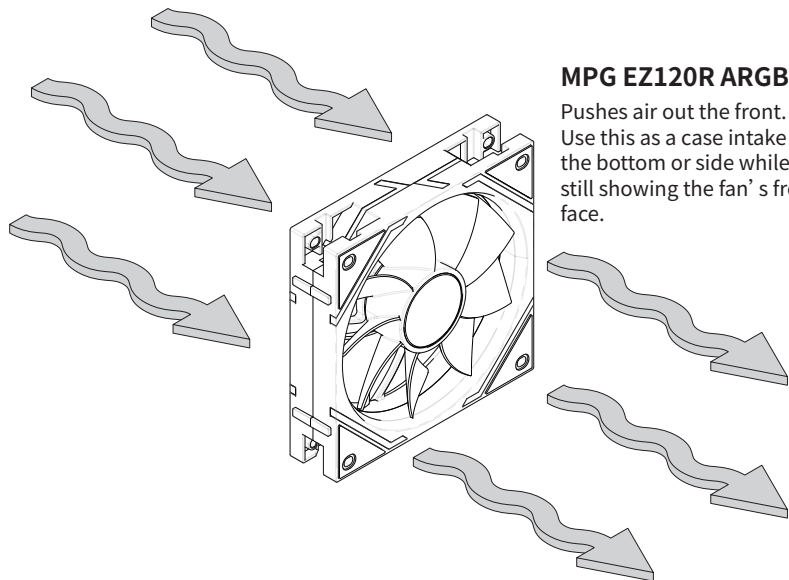
Airflow Direction

Both the **MPG EZ120 ARGB** and **MPG EZ120R ARGB** fans spin counter-clockwise when viewed from the front. Their key difference is the direction of airflow:



MPG EZ120 ARGB

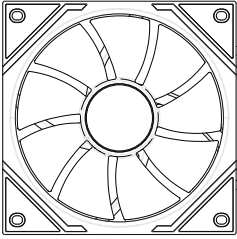
Pushes air out the back. Use this for standard case exhaust or pushing air through a radiator.



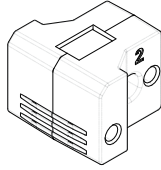
MPG EZ120R ARGB

Pushes air out the front. Use this as a case intake on the bottom or side while still showing the fan's front face.

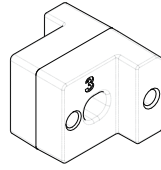
Package Contents - Three Fans



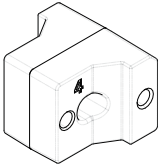
Fan
x3



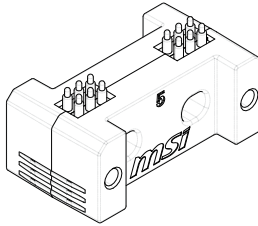
Decorative Block No.2
x1



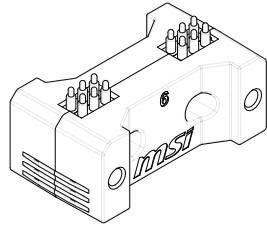
Decorative Block No.3
x1



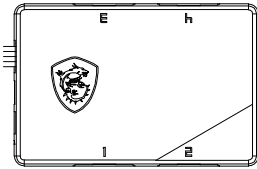
Decorative Block No.4
x1



Magnetic Block No.5
x2



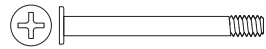
Magnetic Block No.6
x2



ARGB Fan Control Hub
x1



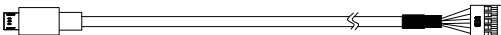
Magnetic Plate x1



Screw #6-32 33mm
x12



Screw M5 10mm
x12



MicroUSB-JUSB Cable x1



Hub-Fan-ARGB Y Cable x1



Hub-JAF Cable x1

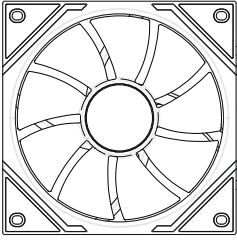


Fan-Hub Cable x4

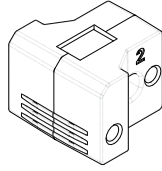


Daisy Chain Cable x1

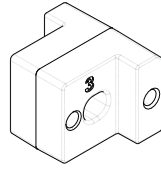
Package Contents - Four Fans



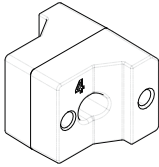
Fan
x4



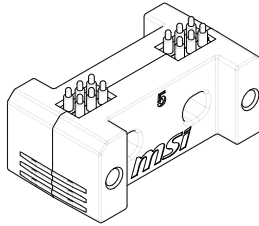
Decorative Block No.2
x1



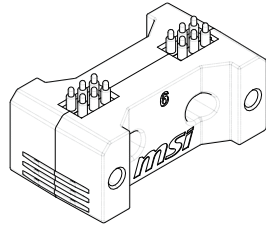
Decorative Block No.3
x1



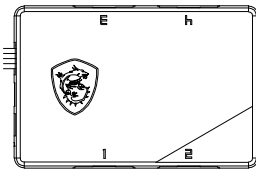
Decorative Block No.4
x1



Magnetic Block No.5
x3



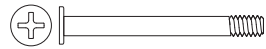
Magnetic Block No.6
x3



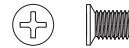
ARGB Fan Control Hub
x1



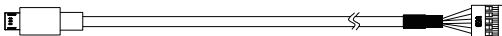
Magnetic Plate x1



Screw #6-32 33mm
x16



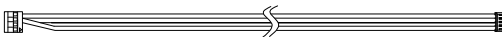
Screw M5 10mm
x16



MicroUSB-JUSB Cable x1



Hub-Fan-ARGB Y Cable x1



Hub-JAF Cable x1

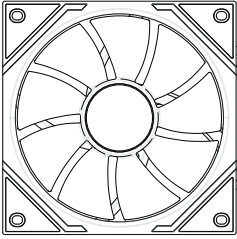


Fan-Hub Cable x4

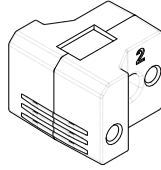


Daisy Chain Cable x1

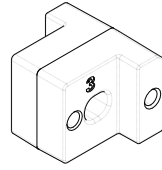
Package Contents - Single Fan



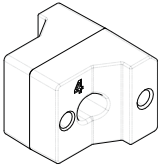
Fan
x1



Decorative Block No.2
x1



Decorative Block No.3
x1



Decorative Block No.4
x1



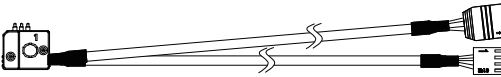
Screw #6-32 33mm
x4



Screw M5 10mm
x4



Fan-JAF Cable x1



Fan-ARGB Cable x1

Important

If any of the above items are damaged or missing, please contact your retailer.

Safety Information

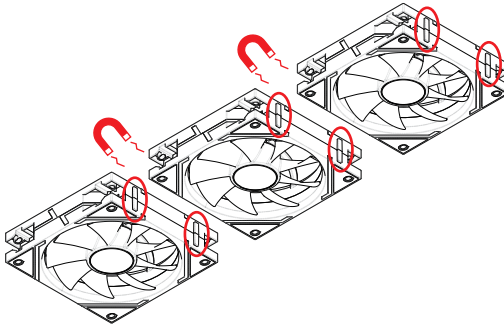
- Always disconnect the fan from the power source before performing any maintenance or installation.
- Be cautious when handling the fan blades. They may have sharp edges that could cause injury. Handle with care, and avoid touching the blades when the fan is running.
- Always turn off the power supply and unplug the power cord from the power outlet before installing or removing.
- Do not boot the computer before installation is completed. This could cause permanent damage to the components as well as injury to the user.
- Before turning on the computer, ensure that there are no loose screws or metal components on the motherboard or anywhere within the computer case.
- Use the provided screws for installation. Do not use screws that are too long, as they could damage the fan or other components.
- Ensure that the fan is not obstructed by any objects that could impede airflow. Proper ventilation is essential for optimal cooling.
- Monitor your system's temperatures to prevent overheating. If the fan fails or becomes noisy, replace it promptly to avoid damage to your components.

Installation - Multiple Fans

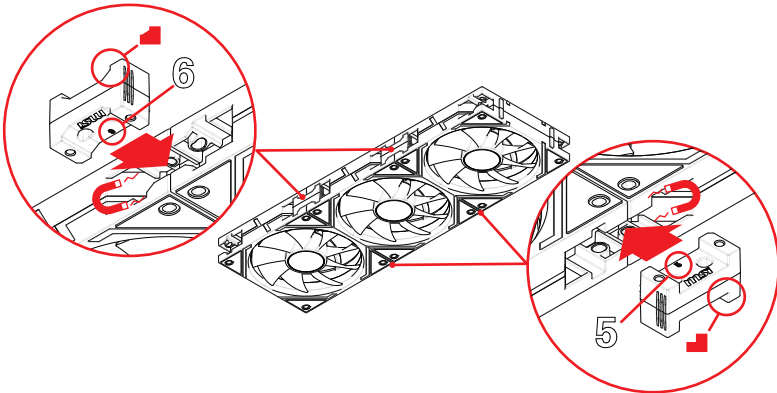
The steps to install multiple fans are as follows:

Important

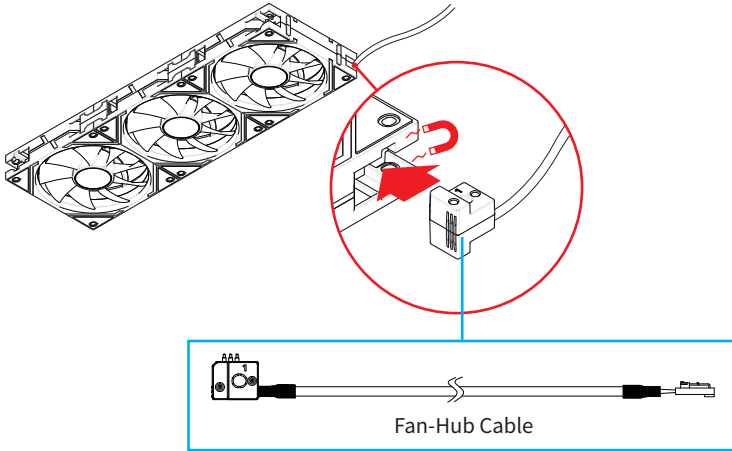
- Please note that the illustrations below are for reference only. The placement may vary, depending on the case and actual parts you have.
 - To prevent damage, do not connect more than 6 fans in a single chain.
1. Align the two protrusions on the side of one fan with the two recesses on the side of another fan, and connect your fans together. The fans have magnets on the sides, and when the magnets are aligned correctly, the fans will snap together.



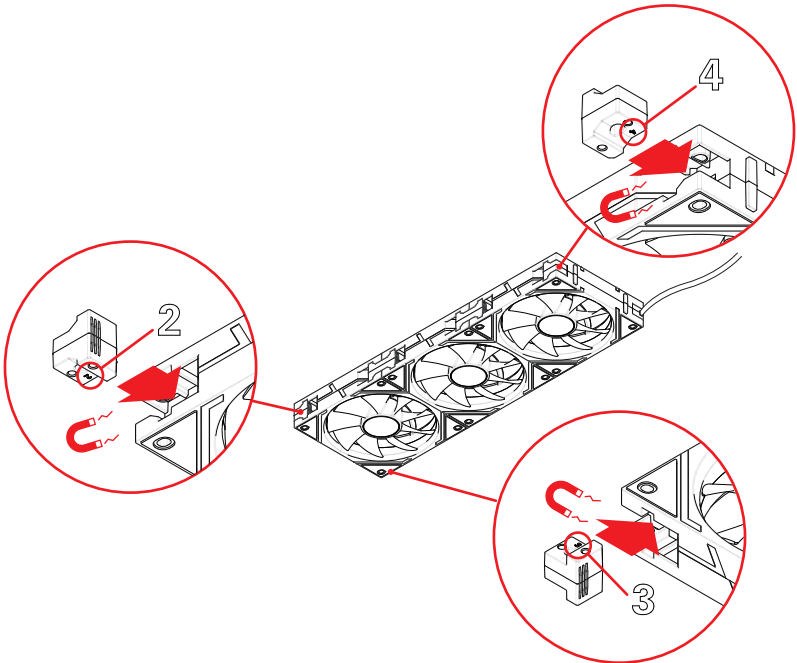
2. Use the **Magnetic Block No.5** and **Magnetic Block No.6** to secure the connected fans. The blocks have shaped magnets, and if the magnets and shapes are aligned correctly, the blocks will snap into place with a click. If the magnets are misaligned, the blocks will pop off.



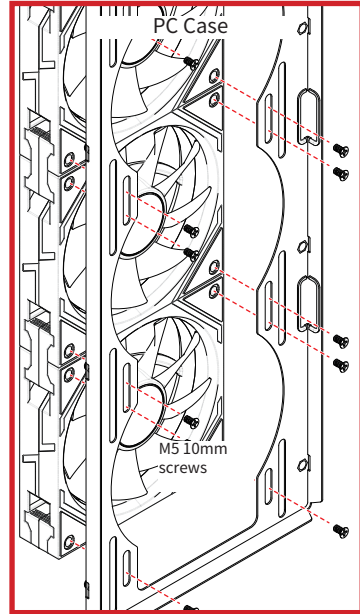
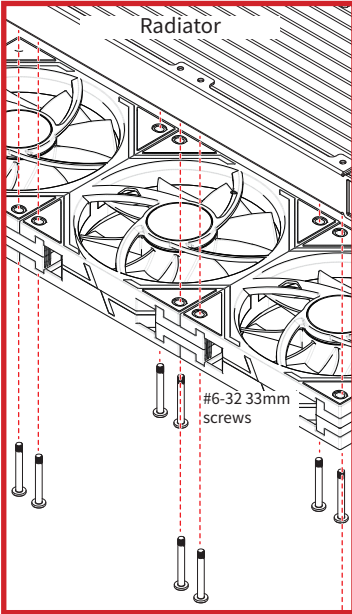
3. Install the **Fan-Hub Cable**. This cable also has magnets, and if the magnets are misaligned, the cable will pop off. If this happens, please try installing the cable on the other end of the fan.



4. Install the decorative blocks.



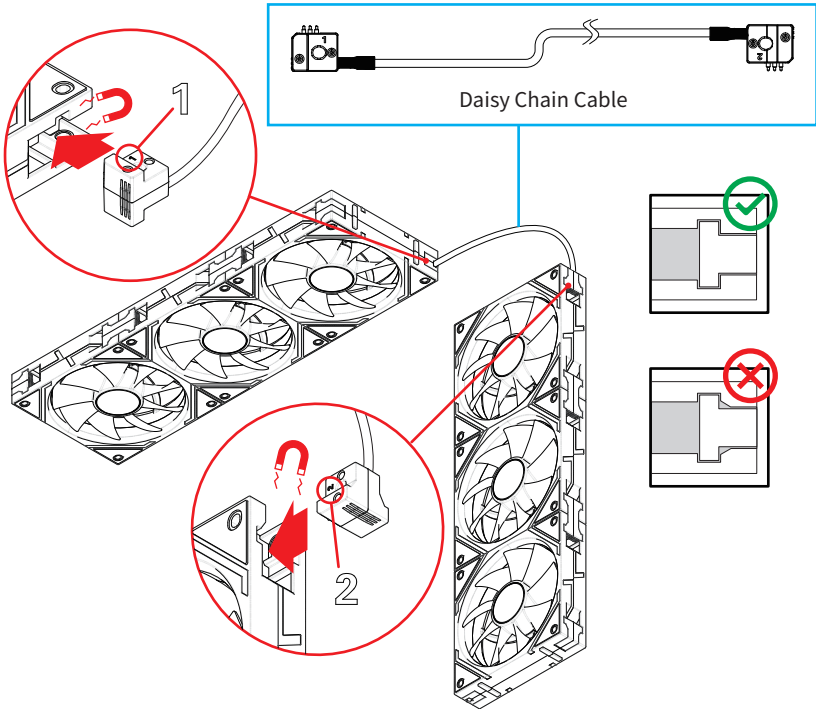
5. Screw the fans to the radiator or PC case, as shown in the figure below.



6. Refer to the **Hub Connection** section for guidance on connecting the Hub.

Daisy Chaining Fans

When you need to link separate fans, use the **Daisy Chain Cable** for daisy chaining. This approach enables you to link two sets of fans, as shown in the accompanying diagram. Daisy chaining simplifies wiring, enhances organization, and maintains both optimal performance and visual consistency in your system's configuration.

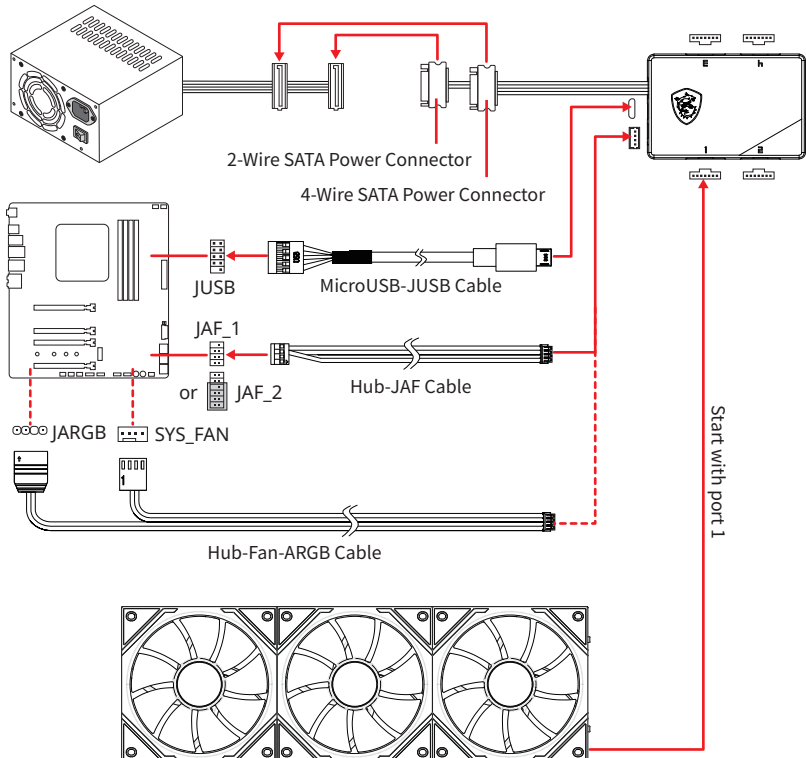


Hub Connection

1. Attach the Hub's **4-Wire SATA Power Connector** to the PSU's SATA port for power.
2. Connect the **MicroUSB-JUSB Cable** from the Hub to your motherboard's **JUSB** port.
3. **For Motherboards with JAF_1 or JAF_2:** If your motherboard has a JAF_1 or JAF_2 connector, use the **Hub-JAF Cable** to connect the Hub to the **JAF_1** or **JAF_2** port on the motherboard. Please check the product page for more compatible motherboards.
4. **For Motherboards without JAF_1 or JAF_2:** If there's no JAF_1 or JAF_2 connector, use the **Hub-Fan-ARGB Cable** to connect the Hub to the **JARGB** and **SYS_FAN** connectors on the motherboard.
5. Connect the fans to the hub using the **Fan-Hub Cable**.

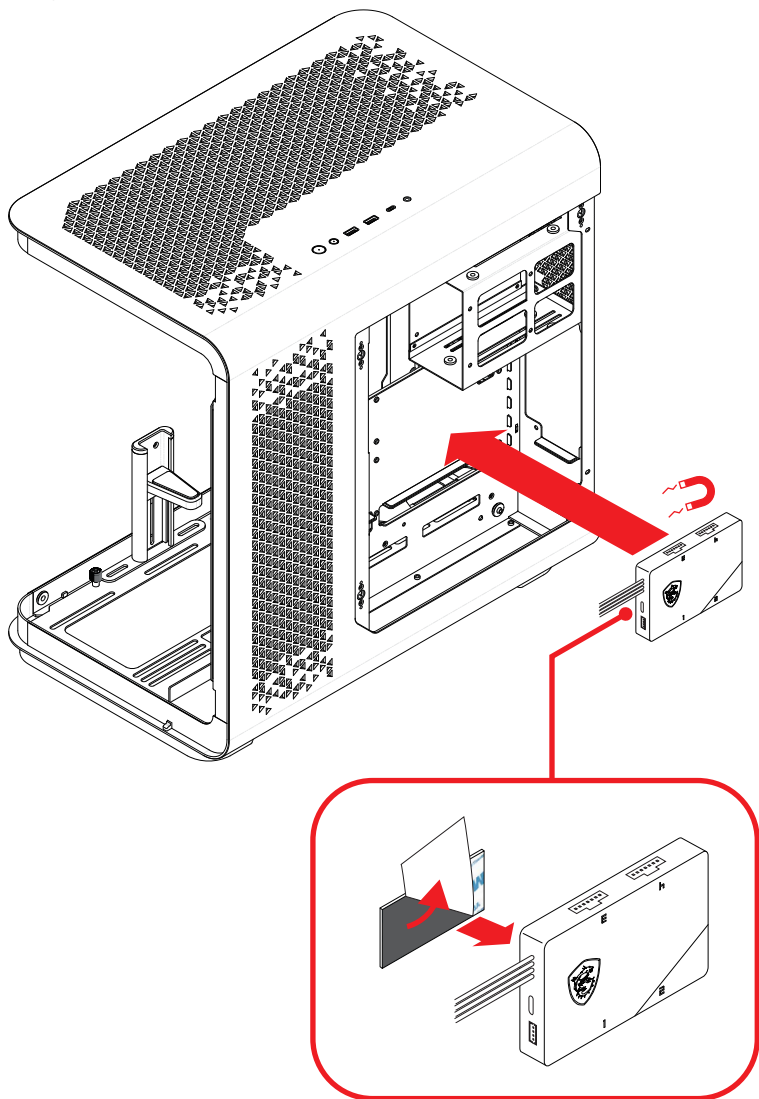
Important

- Fans connected to the hub must first be connected to port 1.
- If you are connecting more than 12 fans, it is necessary to connect both the 4-Wire SATA Power Connector and the 2-Wire SATA Power Connector to ensure adequate power supply.
- Each port on the hub supports a maximum of 6 daisy-chained fans. The entire hub supports a maximum of 18 fans in total.



Attaching the Hub with Magnet Plate

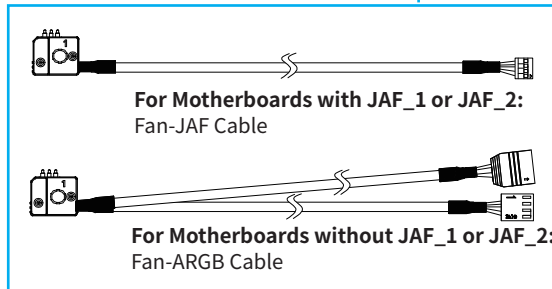
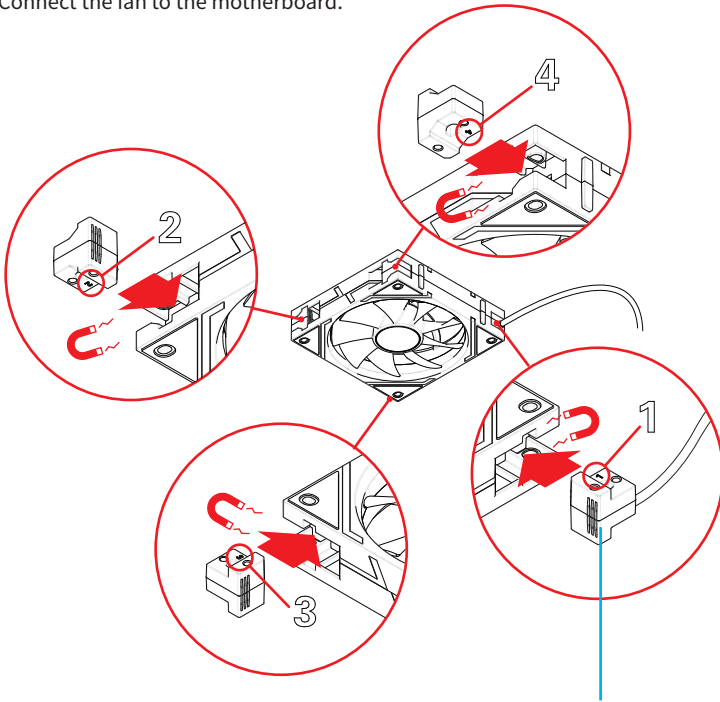
To secure the Hub inside your PC case, first peel off the protective layer from one side of the **Magnetic Plate**. Then, firmly attach this adhesive side to the back of the Hub. This enables the Hub to magnetically adhere to the metal frame of the computer case, ensuring a stable and convenient placement.

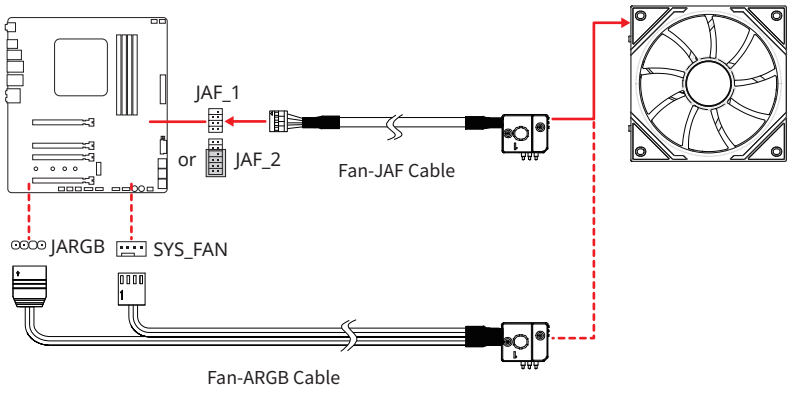


Installation - Single Fan

The steps to install single fan are as follows:

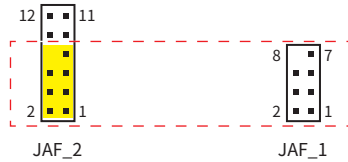
1. **For Motherboards with JAF_1 or JAF_2:** If your motherboard has a JAF_1 or JAF_2 connector, use the **Fan-JAF Cable** to connect the fan to the **JAF_1** or **JAF_2** connector on the motherboard. Please check the product page for more compatible motherboards.
2. **For Motherboards without JAF_1 or JAF_2:** If there's no JAF_1 or JAF_2 connector, use the **Fan-ARGB Cable** to connect the fan to the **JRGB** and **SYS_FAN** connectors on the motherboard.
3. Install the decorative blocks.
4. Connect the fan to the motherboard.





JAF_2 Compatibility Information

MSI's latest motherboards have upgraded to the JAF_2 connector, which includes additional pins designed to maintain backward compatibility with the JAF_1 configuration. When using the JAF_2 connector, pins 1 to 7 carry the same signals as JAF_1, ensuring full compatibility with components designed for JAF_1. This means the fan can be directly connected to the JAF_2 connector without any issues.



Pins 1 to 7 of JAF_2 are compatible with JAF_1.

For detailed guidance on using MSI's exclusive EZ Conn connector and cable, please click the following link or scan the QR code:

[How to use MSI exclusive EZ Conn-connector and cable](#)



Mystic Light Usage Instructions

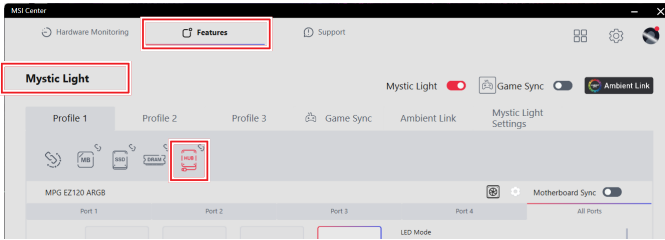


Mystic Light is a feature within the MSI Center designed to enhance your system's aesthetics through customizable lighting. For detailed instructions on installation and usage, please refer to

<http://download.msi.com/manual/mb/MSICENTER.pdf>

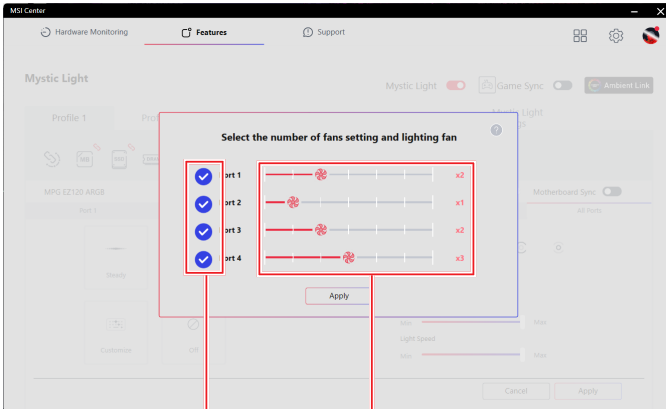
or scan the QR code to access.

1. After installing the MSI Center, launch the application, navigate to the **Features** section, and select the **Mystic Light** to begin customizing your system's lighting.
2. In the Mystic Light interface, you will see a list of connected devices. Click on the **HUB** icon to access your device settings.



3. For first-time setup, follow the prompts to configure the ARGB control and fan quantity.

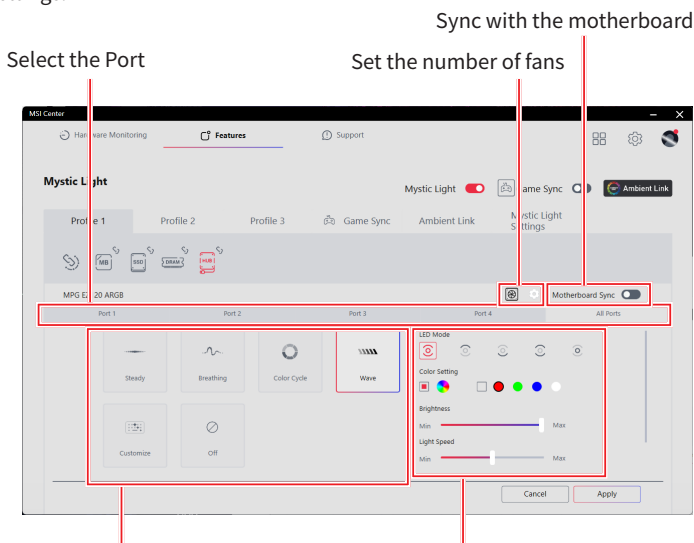
Note: Initially, 4 ports are activated by default, with each port accommodating up to 3 fans. The software supports controlling a maximum of 18 fans across these ports.



Select the number of fans for each port

Turn each port on or off

- Select the **Port** to which your fans are connected to configure their lighting settings.



Choose lighting effects for your device

Important

- Custom setting requires its fan hub of 3-fan or 4-fan pack.
- Fans are synchronized with motherboard setting without the fan hub.

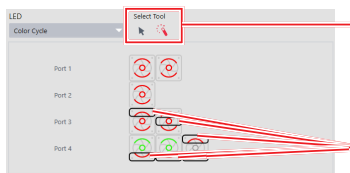
LED Mode: Each fan can be controlled individually within 3 distinct zones.


Color Setting: Choose your preferred color for the lighting effect.

Brightness: Adjust the light intensity of the fans to your liking.

Light Speed: Select the speed at which the lighting effect operates.

- You have several lighting effects to choose from for your device. To individually adjust the fan lighting within each port, please select the **Customize**.
- Use the **Select Tool** to select individual LED areas on each fan. You can group multiple LED areas by holding the **Ctrl** key and clicking to select. The **Magic Select Tool** allows you to select a single area and automatically includes other areas that are part of the group.



 **Select Tool:** select areas. Hold **Ctrl** and click to group areas.

 **Magic Select Tool:** select one to include grouped areas.

The black rectangle indicates the selected areas.

- Once you have chosen your settings, click **Apply** to update the lighting effects on your device.

Cooling Wizard Usage Instructions



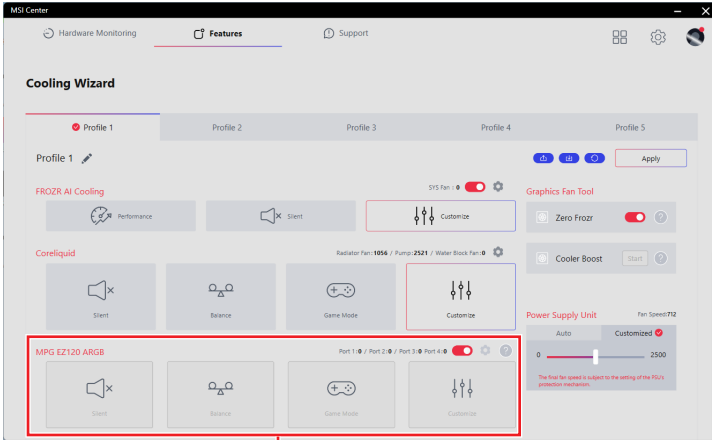
Please refer to the Cooling Wizard section in the MSI Center manual for installation and setup instructions.

<http://download.msi.com/manual/mb/MSICENTER.pdf>

or scan the QR code to access.

Here are the steps to access the Cooling Wizard:

1. After installing MSI Center and Cooling Wizard, go to **Features > Cooling Wizard**.
2. Locate the configuration area for **MPG EZ120 ARGB**.



Fan speed settings

3. Follow the instructions in the MSI Center manual for more settings.

General Information

KC인증서



R-R-MSI-MS-7G24

상호: (주)엠에스아이코리아
제품명: Fan Hub
모델명: MS-7G24
제조년월: 2024년
제조사 및 제조국가: MSI/중국

Copyright and Trademarks Notice



Copyright © Micro-Star Int'l Co., Ltd. All rights reserved.

The MSI logo used is a registered trademark of Micro-Star Int'l Co., Ltd. All other marks and names mentioned may be trademarks of their respective owners. No warranty as to accuracy or completeness is expressed or implied. MSI reserves the right to make changes to this document without prior notice.

All text, images, illustrations, and other content in this manual are the property of MSI. No part of this manual may be reproduced, distributed, or used in any form without the written permission of MSI.

Revision History

- Version 1.0, 2024/03, First release.
- Version 1.1, 2024/05, Add KCC.
- Version 1.4, 2024/11, Add JAF_2.
- Version 1.5, 2025/08, Add EZ120R.

