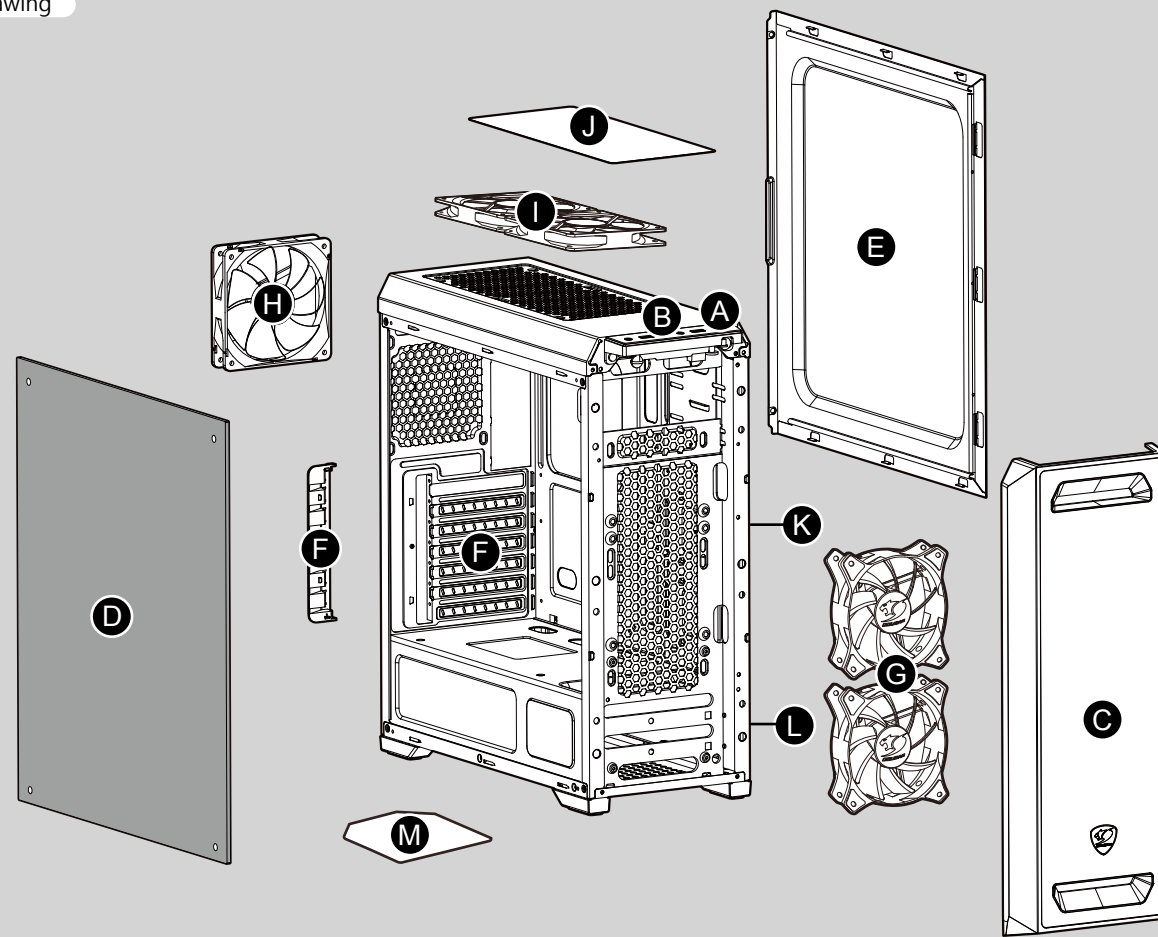




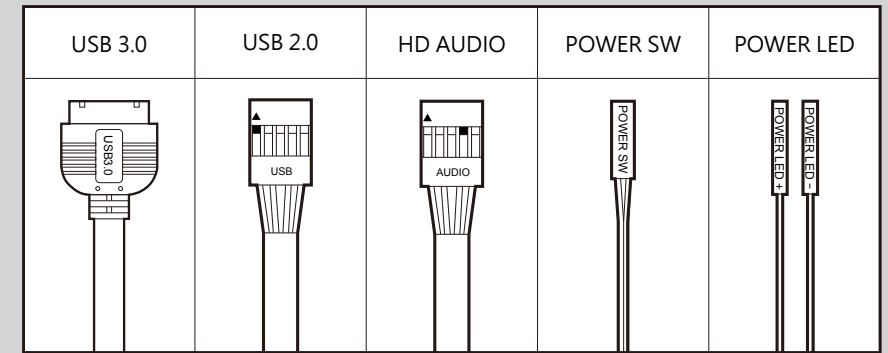
MX350 RGB

Assembly Drawing



- A** Power button / RGB control button
- B** USB 3.0 / USB 2.0 / HD audio ports
- C** Front panel
- D** Tempered glass side panel
- E** Right side panel
- F** Slot covers
- G** 120mm fans x 2 for front panel (pre-installed)
- H** 120mm fan for rear panel (optional)
- I** 120mm fans for top panel (optional)
- J** Magnetic fan filter for top panel
- K** 2.5" HDD/SSD drive bays
- L** 3.5" HDD trays (compatible for 2.5" HDD/SSD)
- M** Air filter for bottom panel

Installing the Front I/O Connectors



Specifications might vary depending on the country or region of sale.

WITH A TRANSPARENT FRONT PANEL AND A MASSIVE TEMPERED GLASS SIDE WINDOW, MX350 RGB OFFERS YOU A HIGH-END DESIGN WITH A CLEAR VISION OF YOUR COMPUTER'S INTERNAL COMPONENTS. ADD TO THIS AN IMPRESSIVE SUPPORT FOR COOLING AND COMPONENTS, AND YOU'VE GOT ONE OF THE BEST MID-TOWERS EVER.

Features

90° VISION
MX350 RGB offers you a two-way vision of your case: A transparent front panel and a tempered glass side window unite to give you a 90° vision of your computer's components, allowing you to create and enjoy wonderful internal lighting solutions!

MASSIVE EXPANDABILITY
Seven PCI slots and support for up to 350mm-long graphics cards allow you to install all the horsepower you need to run 4K/60fps games and even more. When you add up the capability of hosting up to two 2.5" SSDs and two 3.5" HDDs, what you get is a case that can run and store all the games you want.

STRONG COOLING
Want to cool all those powerful components? No problem. You can install up to five fans and a 240mm water cooling radiator to protect your investment from the threat of overheating.

MINIMALIST BEAUTY
The covers for the PSU and the 3.5" drive bay allow you to hide the cables behind them, improving the internal airflow and giving you an unobstructed view of your components. Easily detachable and cleanable dust filters behind the front, top and bottom covers will further help keep your computer clean and gorgeous!

Model Name	MX350 RGB
Model No.	CGR-5NM1B-RGB
Case Type	Mid-Tower
Motherboard Type	Mini ITX / Micro ATX / ATX
Dimensions	195 (W) x 473 (H) x 427 (D)mm
Case Drive Bays	3.5" : 2 2.5" : 2+2 (Converted from 3.5" Drive Bays)
I/O Panel	USB3.0 x 1, USB2.0 x 1, Mic x 1, Audio x 1
Maximum Number of Fans	5 max. Front : 120mm x 2 (120mm x 2 COUGAR RGB fans pre-installed) Top : 120mm x 2 Rear : 120mm x 1
Cooling Fan Support	Yes
Cable Management	Yes
Water Cooling Radiator Support	Front : 240mm Top : 120mm Rear : 120mm
Expansion Slots	7
Max. Graphic Card Length	350mm
Max. CPU Cooler Height	160mm
Transparent Side Panel	Tempered Glass
PSU	Standard ATX PS2
Max. PSU Length	200 (mm) / 7.9 (in)

Specifications might vary depending on the country or region of sale.

COUGAR USA Technical Service
Tel: (833) 256-3778
Mail: rma@compucaseusa.com
https://cougargaming.com/support/contact/upload/
Compucase Enterprise Co., Ltd.
No. 225, Lane 54, An Ho Road Sec. 2 Tainan, Taiwan, R.O.C.
Tel: +886-6-356-0606
Service E-Mail: service@cougargaming.com

For more information, please visit
www.cougargaming.com
Compucase Enterprise Co., Ltd.
All rights reserved.



ENGLISH

- Ultra-View: Tempered Glass Side Window + Transparent Front Panel
- Powerful Cooling: Up to Five Fans and Three Radiators
- Ultimate Graphics: Up to Three 350mm Long Graphics Cards
- Superb Cable Management: PSU and 3.5" Drive Bay Covers to Hide Cables

ESPAÑOL

- Visibilidad Perfecta: Ventana de Vidrio Templado y Panel Frontal Transparente
- Potente Refrigeración: Hasta Cinco Ventiladores y Tres Radiadores
- Gráficos Definitivos: Hasta Tres Tarjetas Gráficas de 350mm.
- Magnífica Gestión de Cables: Las Cubiertas de la Fuente de Alimentación y la Bahía de 3.5" Ayudan a Esconder los Cables

PORTUGUÊS

- Visão ultra-clara: janela lateral de vidro temperado + painel frontal transparente
- Resfriamento poderoso: até cinco ventiladores e três radiadores
- Gráficos de última geração: até três placas de gráficos com 350 mm de comprimento
- Gerenciamento excelente de cabos: PSU e capas de baias de dispositivo de 3.5" para ocultar os cabos

РУССКИЙ

- Ультра дизайн: Боковое окна из закаленного стекла + Прозрачная передняя панель
- Мощное охлаждение: до пяти вентиляторов и трех радиаторов
- Максимальная графика: до трех 350-миллиметровых видеокарт
- Удобное управление кабелями: блок питания и 3,5-двоймовые накопители со скрытыми кабелями

ITALIANO

- Ultravisione: finestra laterale in vetro temperato + pannello anteriore trasparente
- Potente raffreddamento: fino a cinque ventole e tre radiatori
- Grafica eccezionale: fino a tre schede video da 350 mm di lunghezza
- Sensazionale gestione dei cavi: coperture PSU e alloggiamento disco rigido da 3,5" per nascondere i cavi

تعليمات التركيب و الأمان:
- عند التركيب أو التفكيك يجب التأكد من أن جميع الأسلاك موصولة عن الكهرباء.
- يجب ارتداء الملابس المناسبة أثناء تركيب/ تجميع الكمبيوتر.
- يجب إرتداء الملابس المناسبة أثناء تركيب/ تجميع الكمبيوتر.
- يجب ارتداء الملابس المناسبة أثناء تركيب/ تجميع الكمبيوتر.

ДАТА ИЗГОТОВЛЕНИЯ ПРОДУКЦИИ

год и месяц изготовления продукции указаны в серийном номере продукта. (существует 2 способа определения даты изготовления, оба способа описаны ниже)

A После S/N: первые две цифры означают год, вторые две – месяц изготовления. Например, S/N: H1702000001 означает, что товар был произведен в феврале 2017 года.

B После S/N: если указаны буквы, то две буквы представляют цифры из таблицы ниже, и означают год, последующие две цифры – месяц изготовления. Например, S/N: DAG02REV1000001 означает, что товар был произведен в феврале 2017 года.

A	B	C	D	E	F	G	H	I	J
1	2	3	4	5	6	7	8	9	0

• Например, AG = 17 = 2017 год

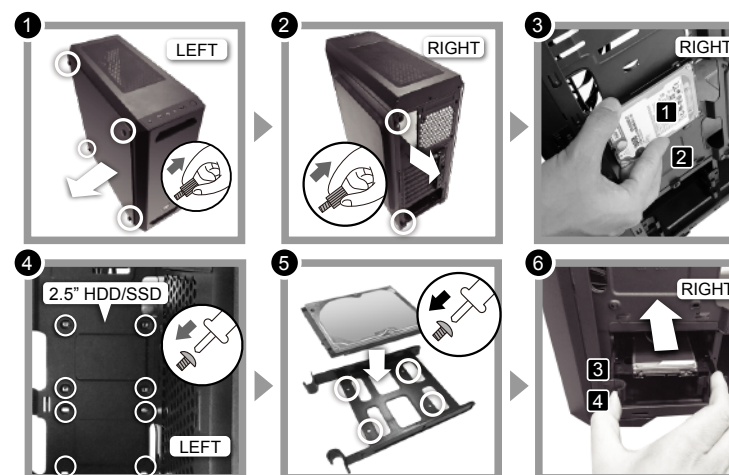
GLOBAL WARRANTY POLICY

WARRANTY PERIOD: 1 YEAR
Product : COUGAR MX350 RGB
Warranty : 1 Year
• This warranty gives you specific legal rights. You may also have other rights granted under local law. These rights may vary.
• Only for electrical components.

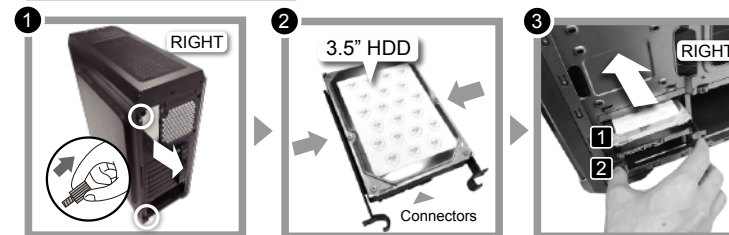
Accessory Kit

#6-32 for PSU & Expansion Card	X 7	Cable tie for cable management	X 6
#6-32 for 3.5" HDD	X 5	Slot cover	X 1
for Main Board	X 3	#6-32 for Front Fan	X 4
M3 for Main Board, ODD & 2.5" HDD/SSD	X 14	#6-32 for 3.5" HDD tray and cage	X 2

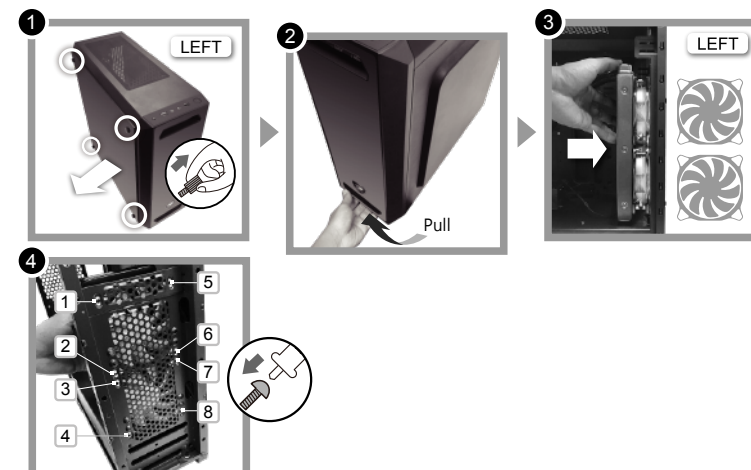
How to install the 2.5" HDD/SSD



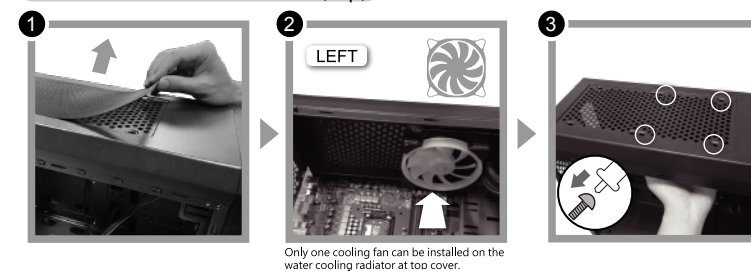
How to install the 3.5" HDD



How to install a water cooler (front)



How to install a water cooler (top)



How to install a water cooler (rear)

