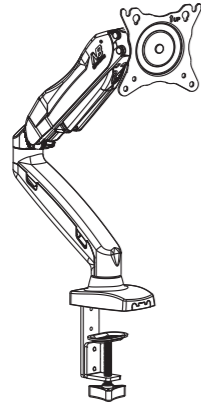




Flexi Full Motion Desk Mount



F80

Flexi Full Motion Desk Mount
Fits Most Monitors Size: 17"~27"
Max Load: 4.4~14.3lbs (2~6.5kg)
VESA: 75 x 75, 100 x 100mm

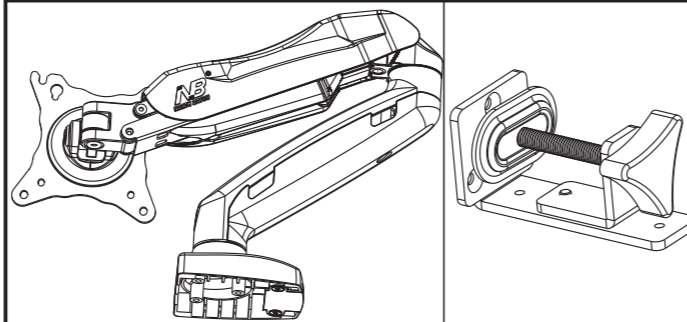
- Severe personal injury and property damage can result from improper installation or assembly. Read the following warning carefully before beginning.
- Products must be installed by professional or installer.
 - If you do not understand the instructions or have any concerns or questions, please contact a qualified local installer.
 - Do not install or assemble if the product or hardware is damaged or missing, if you require replacement parts, please contact your local distributor for assistance.
 - This product fits most 17"-27" LCD / monitor; maximum weight of LCD / monitor: 6.5kg / 14.3lbs.
 - Installer-friendly and straight forward.
 - For safe installation, the desk you are mounting to must support minimum 3 times the weight of the total load (the mount, the monitor and all accessories weight).
 - Do not use this product for other than the original designed.
 - This product contain moving parts, please use with caution.
 - When installing monitor, please do not damage electrical wiring or power source.
 - Installation and routing of monitor cables on the monitor bracket must comply with electro-technical regulations.
 - Importantly, mains- and data-cables must be secured against twisting and squeezing or shearing.
 - The manufacturer will bear no responsibility to the desk of mounting, or incidental or consequential damages arising thereof.
 - The manufacturer disclaims any liability for the modifications, improper installation, or installation over the specified weight range. The manufacturer will not be liable for any damages arising out of the use of, or inability to use, the product.
 - This product is designed for indoor used only, use of this product outdoor could lead to product failer and severe personal injury.
 - ▲ This product contains a high pressure gas spring, fire and percussion prohibited. Also it is strictly prohibited to dismantle without professionals. Please return to the manufacturer or hand over to professional agencies if the product is abandoned. In order to ensure the performance of gas spring, full direction adjustment of the product arm is recommended several times per month.
- We reserve the right to modify or alter instructions. No modification or alteration without formal notice.

F80

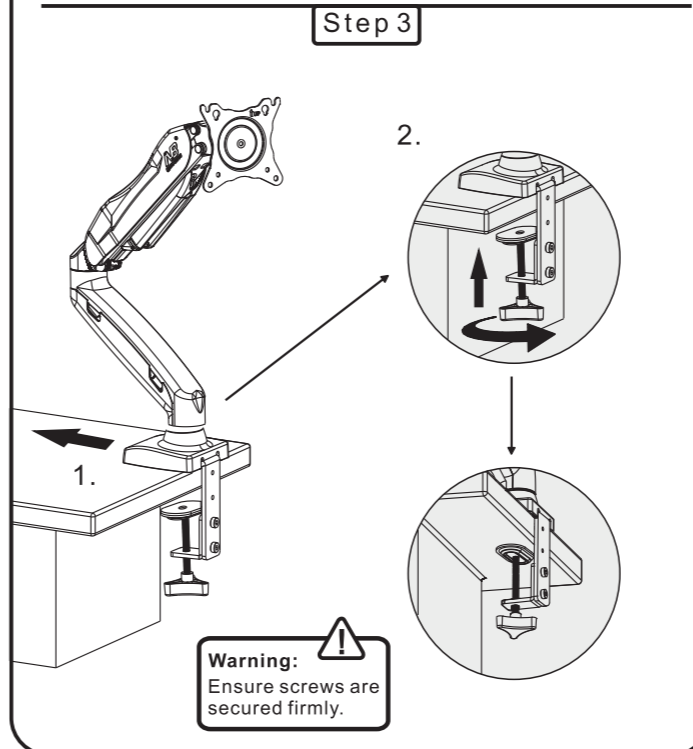
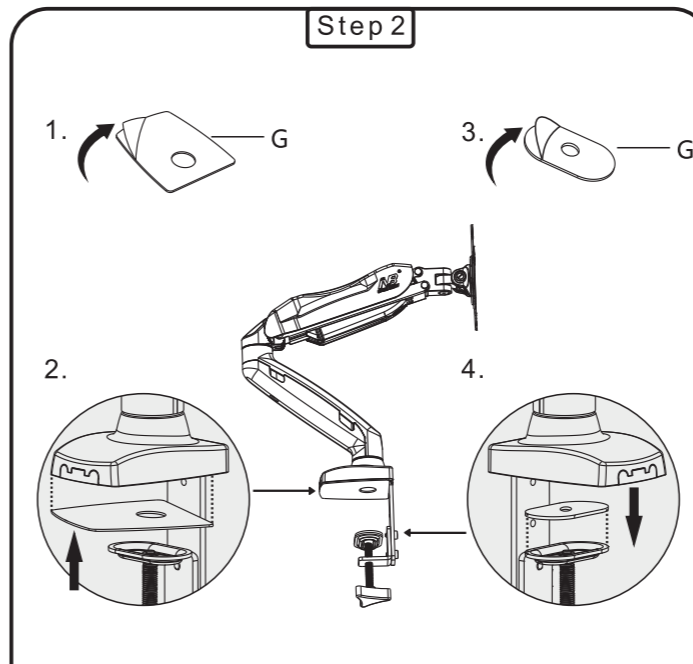
Installation Manual

Install mount at table edge
or
Install mount on desk.

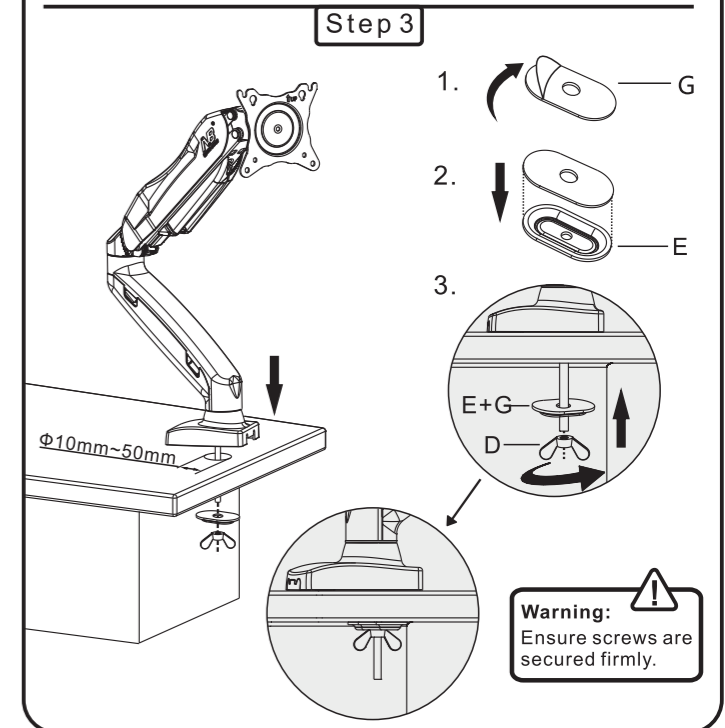
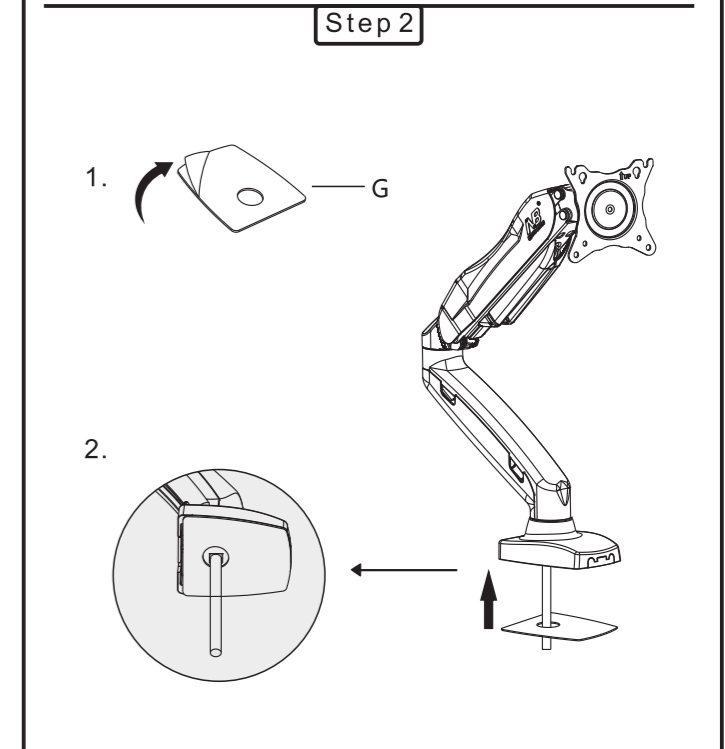
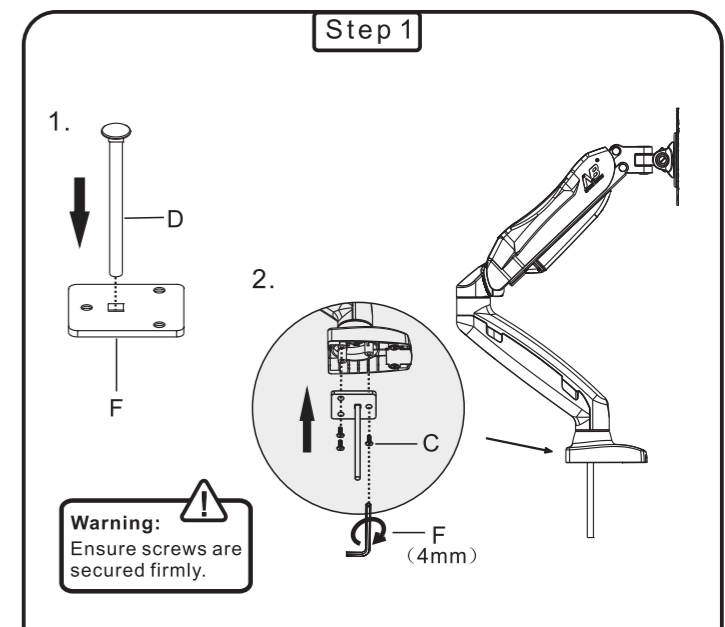
Part list



A (M4x12)-4pcs	B (M5x12)-4pcs	C (M6x15)-3pcs
D (4mm)	E 	G
F (5mm)		



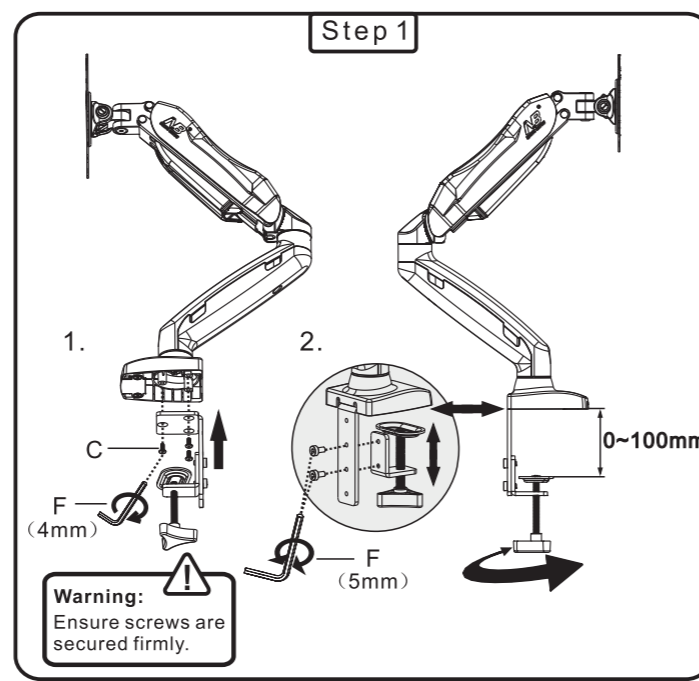
A2、Install mount on desk:



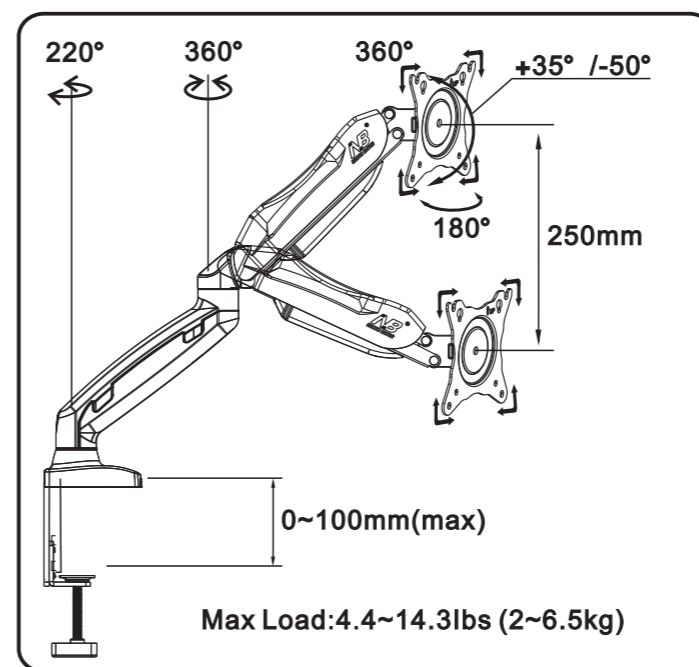
Symbols

	Tightening Direction		+ :Torque increased - :Torque reduced
	loosening Direction		+ :Torque increased - :Torque reduced
	Phillips Screwdriver		By Hand
	螺丝起子		手工
	Open-End Wrench		Hex Wrench
	开口扳手		六角扳手
	Adjustment		Pencil
	调整		铅笔
OPT	Optional		Hand Drill
OPT	可选		手电钻
X	Remove		Star Wrench
X	移开		安全扳手

A1、Install mount at table edge:

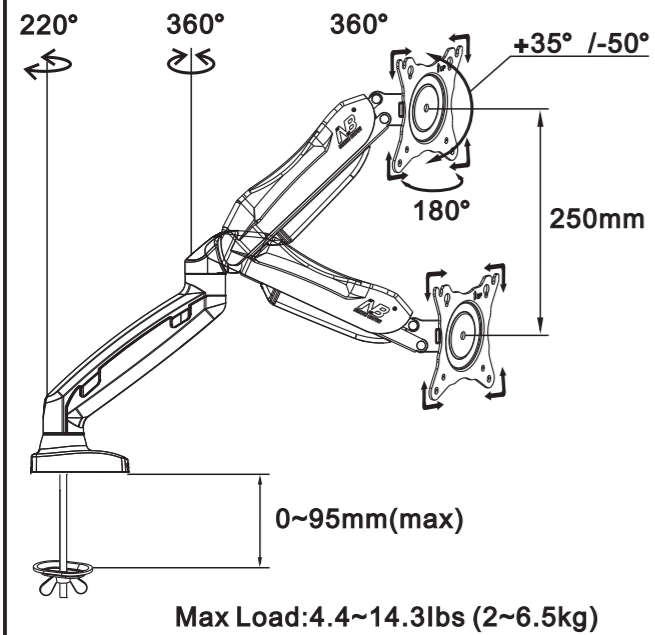


Full motion after full installation(Table edge)

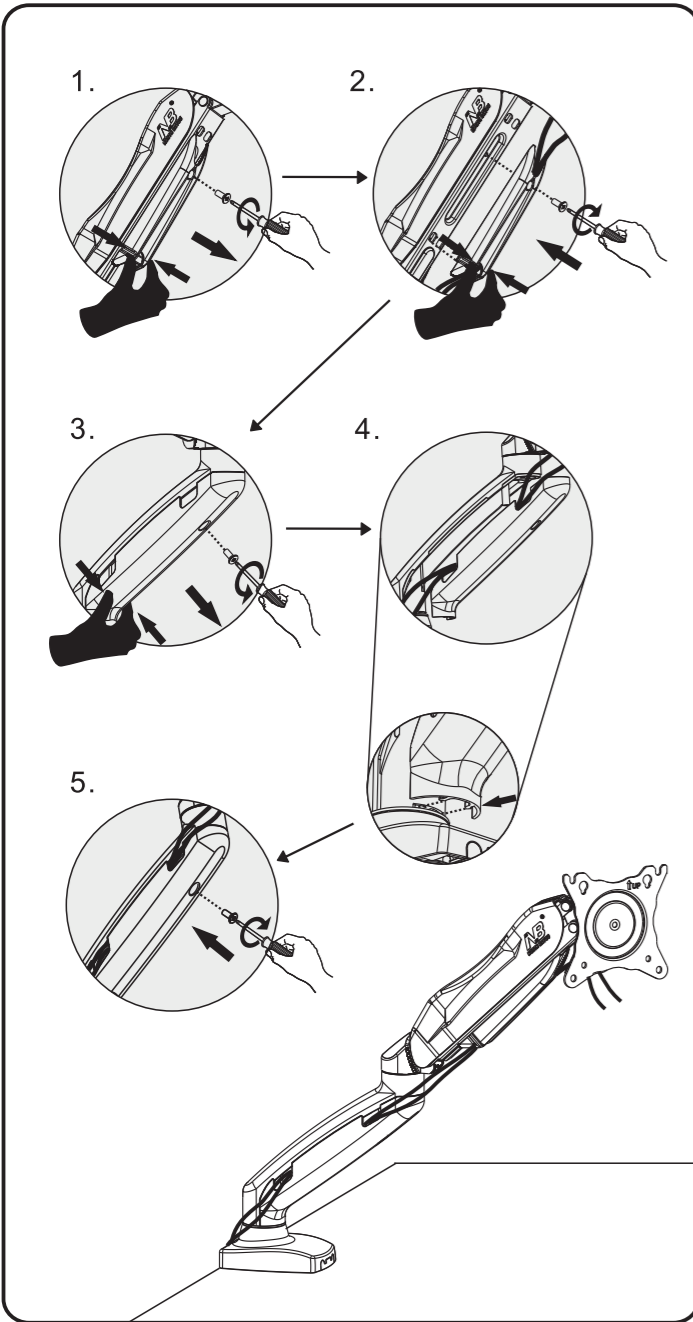


Warning:
 Ensure screws are secured firmly.

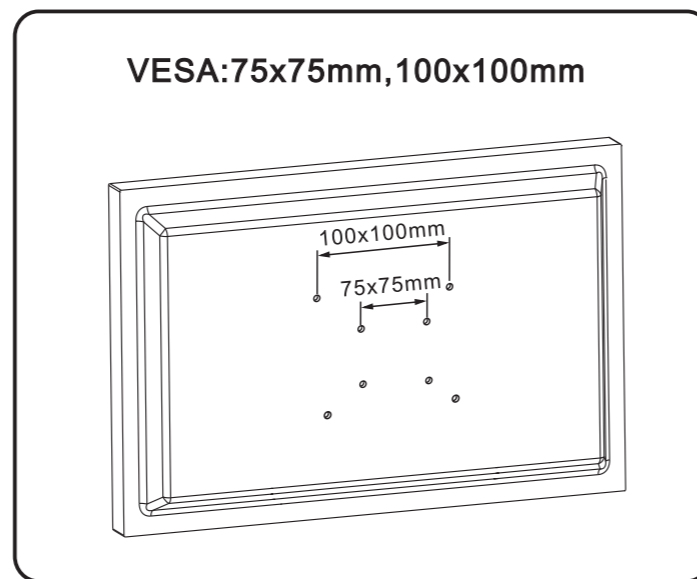
Full motion after full installation(Desk top)



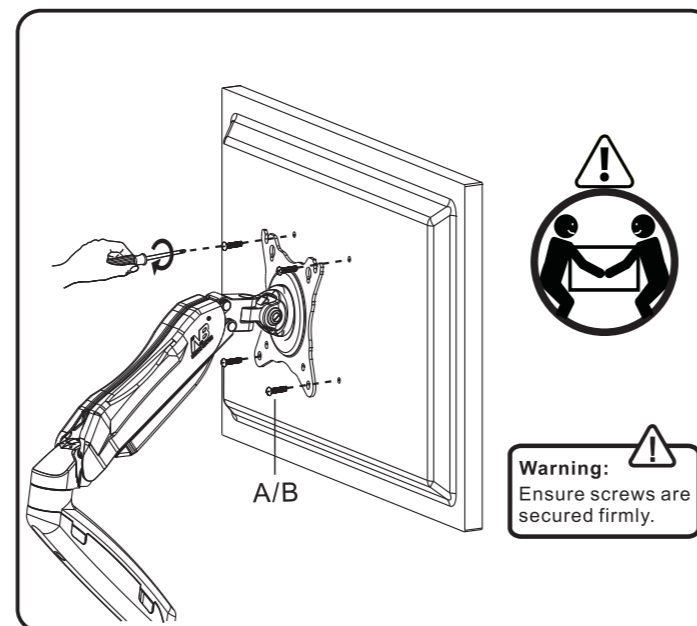
B、 AV cables and wires routing



C、 Monitor installation

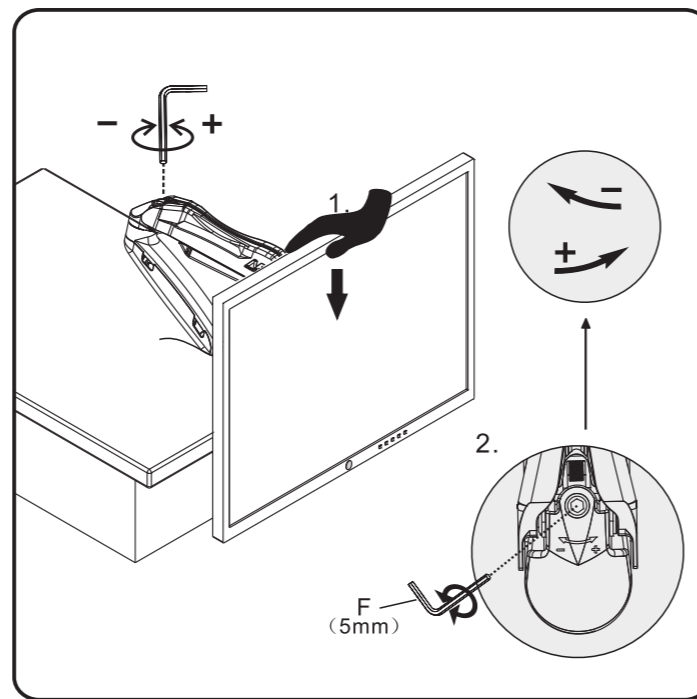


D、 Mounting monitor onto mount

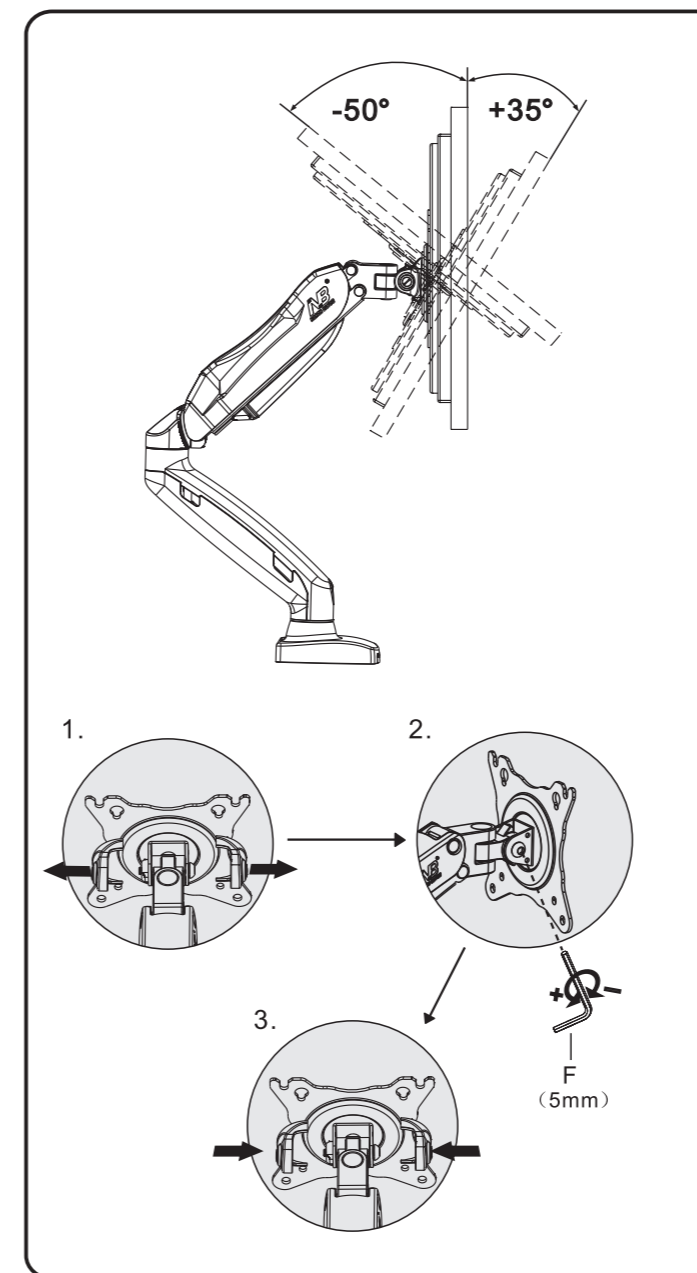


E、 Setting static position

+ :Torque increased, - :Torque reduced.

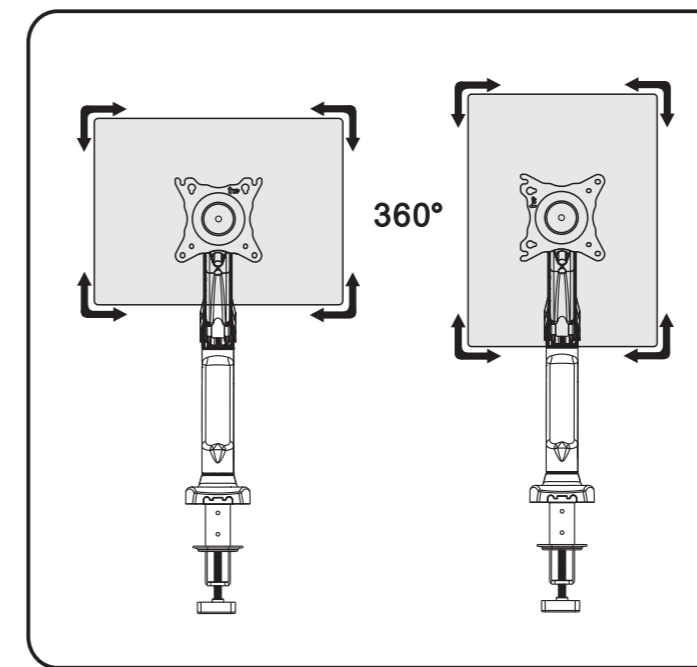


F、 Setting tilt angle position



G、 Full 360° monitor rotation

Please beware of unbalance displays gravity during displays installation to mount.

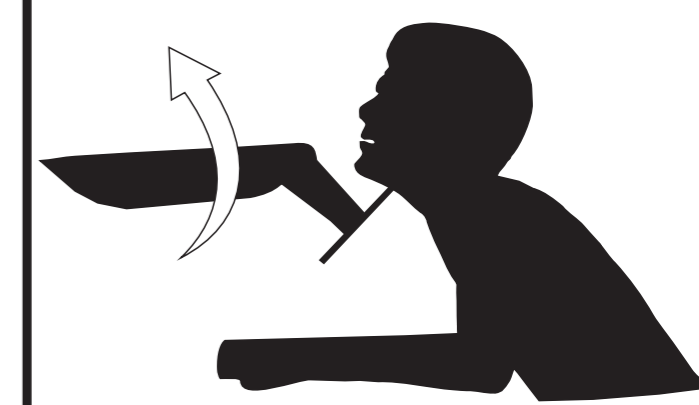
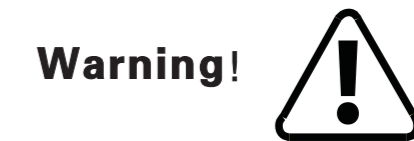
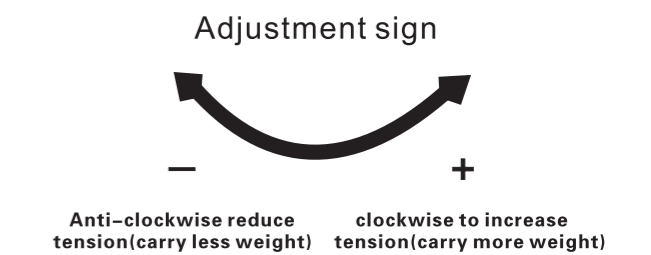


TENSION ADJUSTMENT AFTER WALL MOUNT INSTALLATION



Do not adjust tention without putting on TV.

- 1.Ensure TV has been put onto mount.
- 2.Read your TV packaging or manual to find out TV net weight.
- 3.Ensure TV net weight between 4.4~14.3lbs(2.0~6.5kg)



NB[®]
NORTH BAYOU
www.nbavmount.com

Add:58, South of Xinxing Road,
Economic Development Zone.
Kunshan City, Jiangsu Province, China.
215333.
TEL: 86-512-57971777
FAX: 86-512-57970776