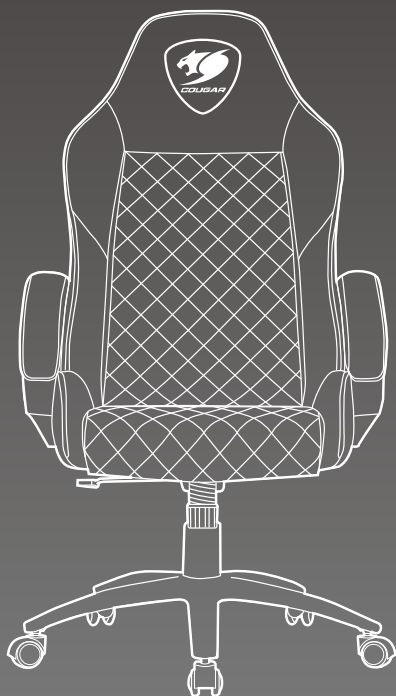
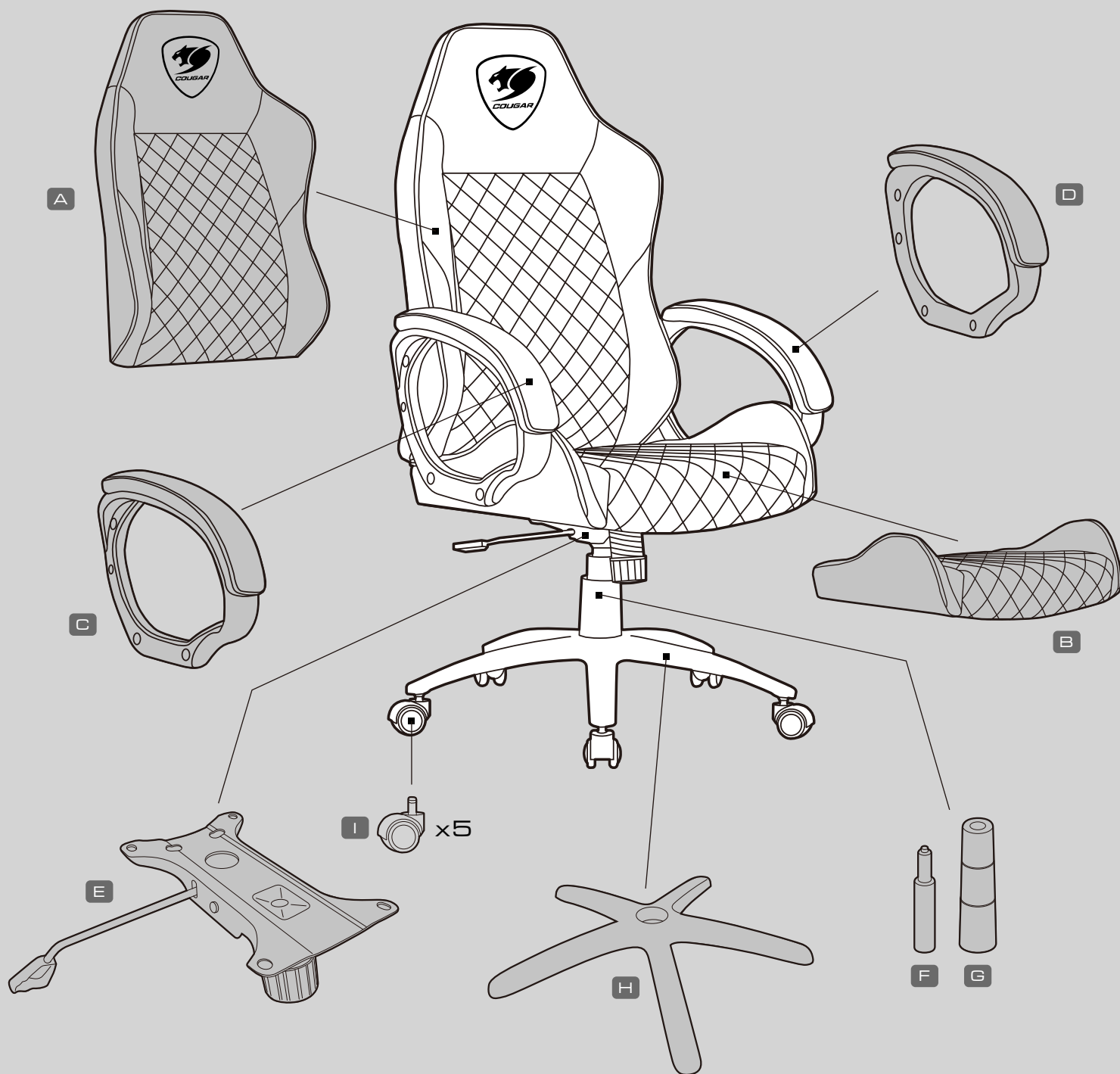




REAL GEAR FOR REAL GAMERS



ASSEMBLY DRAWING



FUSION

HIGH-COMFORT GAMING CHAIR

READY FOR BOTH GAMING AND PROFESSIONAL USE, FUSION IS A COMFORTABLE GAMING CHAIR BUILT WITH HIGH-QUALITY MATERIALS AND SPORTING A POWERFUL COUGAR DESIGN.

QUALITY FIRST
Fusion is built on a metal frame that provides it with a rock-solid structure, complemented with a plywood plank that brings both durability and flexibility to the backrest.

A COMFORTABLE SHAPE
Fusion's body-embracing design delivers a pleasant sitting experience that is further enhanced by its extra-long armrests.

CLASS AND DURABILITY
Both the body of the chair and the armrest pads sport a faux leather surface that makes them both transpirable and highly pleasant to the touch.

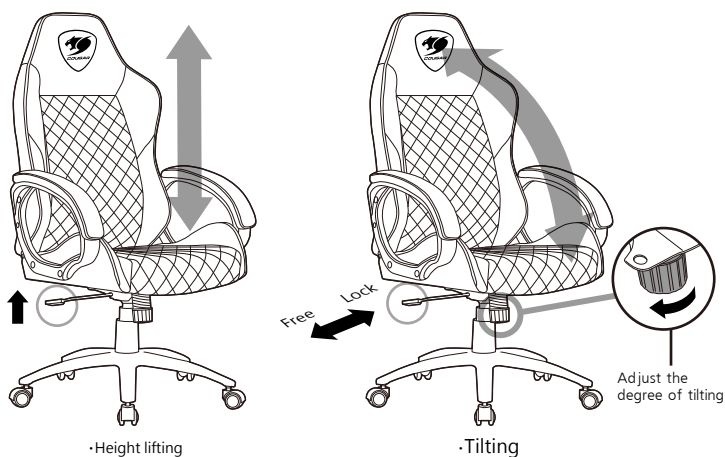
POWERFUL DESIGN
The diamond-check pattern of the seating and back-rest area and the carefully chosen, highly energetic coloring of the chair make it a pleasure to look at and contribute to generating an atmosphere that favors productivity.

ADJUSTABLE TILTING RESISTANCE
Fusion's tilting function allows you, by turning a knob located under the chair, to adjust its behavior, controlling the level of resistance when you tilt it.

GREAT HEIGHT ADJUSTMENT
Fusion's class 4 gas lift cylinder gives it a smooth, durable and reliable height adjustment capability, making it easy to adjust it to suit different working and gaming environments.

SOLID AND THOUGHTFUL
A solid, dependable metal 5-star base makes it safe to use the chair's swiveling function while sitting on it. The PU wheels, on the other hand, protect the floor of the area you're using it in by preventing scratches.

FEATURES



ACCESSORY KIT

1			x8	3		x8
2			x4	4		x1

DISTRIBUTOR



ENGLISH

- Body-Embracing Design
- Embroidered COUGAR Logo
- Piston Lift Height Adjustment with Class 4 Gas Lift Cylinder
- Metal Frame + Plywood Backrest
- Extra-long Armrests for Additional Comfort
- Metal 5-Star Base for Enhanced Stability
- Diamond-Check Pattern and Energetic Colors
- Breathable PVC Leather in Seat and Armrest Pads
- PU Wheels to Avoid Floor Scratches
- Weight Limit: 120kg

ESPAÑOL

- Diseño que Abraza tu Cuerpo para Mayor Comodidad
- Logo Bordado de COUGAR
- Ajuste de Altura con Pistón de Gas y Cilindro de Gas de Clase 4
- Estructura de Metal + Respaldo de Contrachapado
- Reposabrazos Extralargos para Mayor Confort
- Base Metálica de Cinco Estrellas para Mayor Estabilidad
- Disco con Patrón de Diamante y Colores Energéticos
- Cuerna Transpirable de PVC en el Asiento y Almohadillas de los Reposabrazos
- Ruedas de PU para Evitar Arrazos en el Suelo
- Límite de Peso: 120kg

PORTUGUÊS

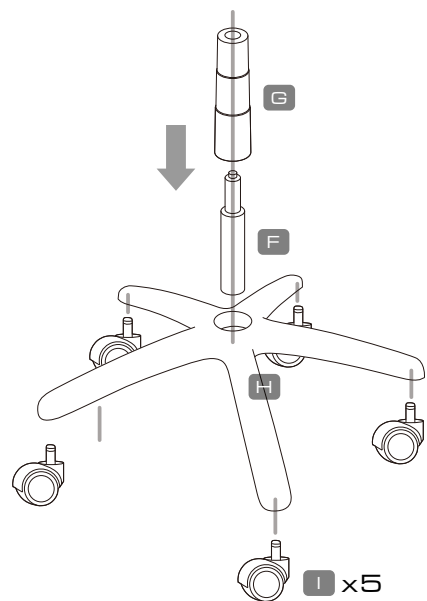
- Design Ergonômico que Abraça Seu Corpo
- Logo COUGAR Bordado
- Ajuste de Altura com Pistão a Gás e Cilindro de Gás de Classe 4
- Estrutura Feita de Metal + Encosto de Madeira Compensada
- Apoios de Braços Extra Longos para Maior Conforto
- Base de Estrela de Metal; Mais Estabilidade
- Design com Padrão de Diamante e Cores Muito Atraentes
- Superfície do Assento e Almofada do Apoio de Braço em Couro Sintético Respirável de PVC
- Rodas de PU: O Fim Dos Arranhões no Chão!
- Suporta até 120 kg

ITALIANO

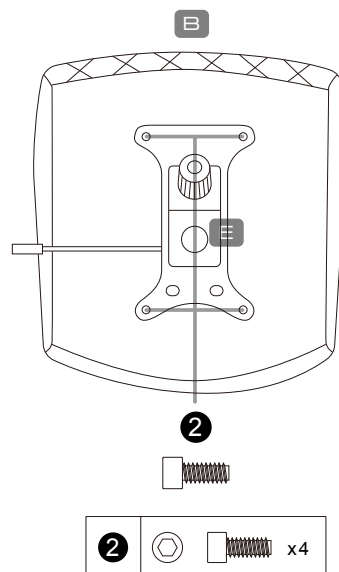
- COUGAR FUSION, La Sedia Perfetta Per I Gamer Professionisti.

ASSEMBLING INSTRUCTION

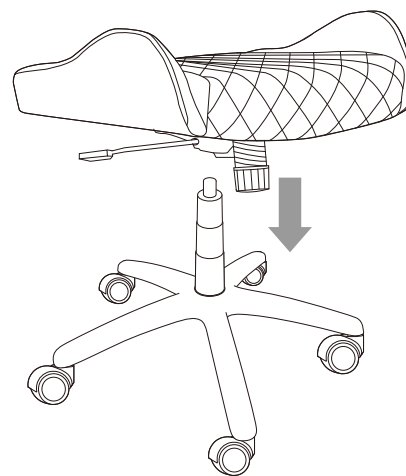
1



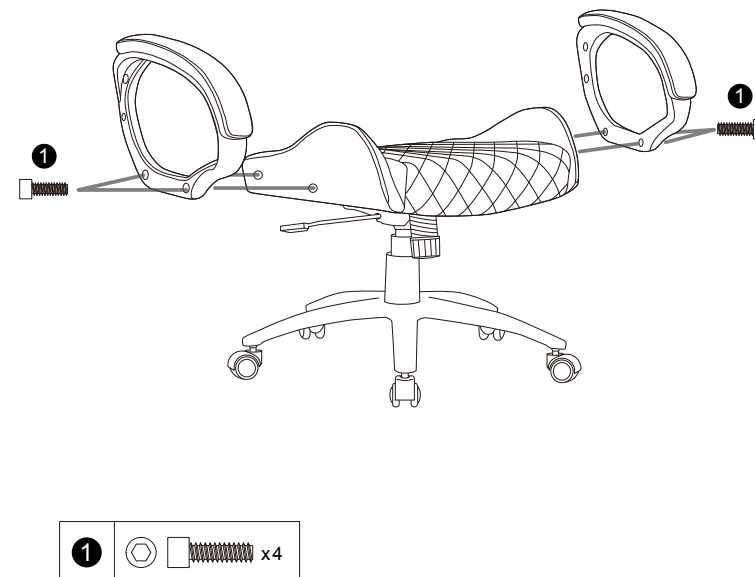
2



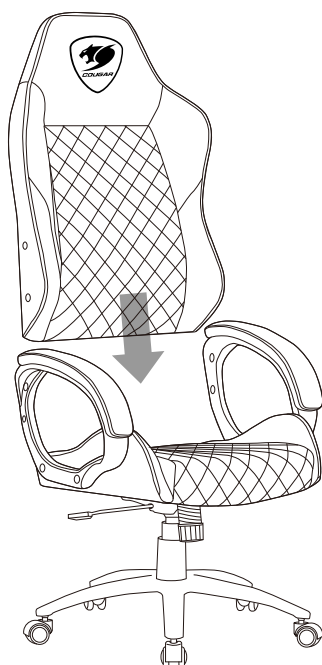
3



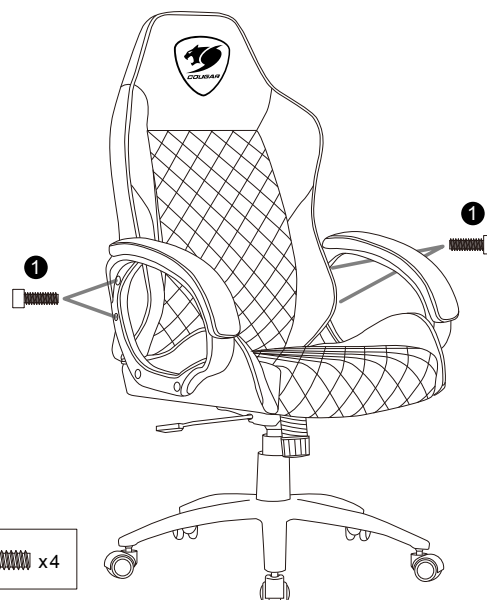
4



5



6



7



GLOBAL WARRANTY POLICY

WARRANTY PERIODS OF COUGAR GAMING DEVICES

Product : HIGH-COMFORT GAMING CHAIR

Warranty : 1 Year

This warranty gives you specific legal rights. You may also have other rights granted under local law. These rights may vary.

WARRANTY AGREEMENT

- If the product has defects in material or manufacture, COUGAR will provide product repair and replacement service within the warranty period.
- Our warranty service is based on the date of the invoice or warranty card.

CONDITIONS WHERE FREE MAINTENANCE IS NOT PROVIDED

- Any fault or damage caused by natural disasters (including storm, fire, flood, thunder, earthquake, etc).
- Any fault or damage caused by accidental factors and man-made reasons (including hit, scrape, crash, moving, compression, stain, corrosion, riot, misuse, malicious damage, etc).
- Use in an improper operating environment (including high temperature, high humidity, water inflow, etc).
- Inability to provide the product warranty card, purchase receipt or invoice to prove the product is still within the warranty period and the shipping date of the product is out of warranty.
- The warranty card has been altered or its number is hard to identify.
- The warranty period has expired.
- Any fault or damage caused by non-compliance with regulations stated on the user manual or improper, rough and careless treatment.
- Any fault or damage caused by use of parts not certified by COUGAR original manufacturer.
- The problem is caused by improper repair or adjustment by the buyer or any manufacturer without authorization from COUGAR.
- The product is not acquired from an authorized distributor of the company or is acquired from illicit sources.
- Paper carton, instruction and other accessories are not warranted.

DISCLAIMERS

- COUGAR products should not be used as critical components in life support devices.
- COUGAR is not liable for any damage of life and limb or damage or loss of property caused by or during COUGAR products' use as or with medical equipment, military equipment, traffic equipment and disaster prevention systems.
- COUGAR's warranty liability is limited to repair or replacement. The decision on whether to repair or replace belongs exclusively to COUGAR.
- COUGAR is, to the extent not prohibited by law, not liable for any damages; expenses; lost data, revenues, savings or profits; or any incidental or consequential damages happened while the use of a defective product from COUGAR or due to its use.

LEGAL NOTICES

This manual was created by Compucase Enterprise and may not be completely or partially copied, passed on, distributed or stored without written consent by Compucase Enterprise. COUGAR® is a registered brand of Compucase Enterprise. Other product and company names mentioned in this documentation may be brands or trademarks of their respective owners. Compucase Enterprise reserves the right to make changes concerning the contents of the manual and the technical data of the product without previous announcement.

MANUFACTURER CONTACT

Compucase Enterprise Co.,Ltd.
No. 225, Lane 54, An Ho Road Sec. 2 Tainan, Taiwan, R.O.C
Tel:+886-6-356-0606

COUGAR USA Technical Service
Tel: (833) 256-3778
Mail: rma@compucaseusa.com

Service email : <https://cougargaming.com/support/contact/upload/>
Compucase Enterprise Co.,Ltd. All rights reserved. Made in China



WARNING

- To adjust the chair height, gently pull the lever up. Do not use excessive force to pull the lever.
- Please wear protective gloves when assembling the chair. It is your own responsibility to use appropriate protection to prevent any physical damage.
- When rocking the chair, using it in any other way or adjusting the height, inclination, position or balance of the chair or any of its components, please:
 - pay attention to your hand's position and keep it away from spaces in which it could get caught or be injured.
 - do not make fast or violent movements.
 - (when the chair is in movement) do not touch any of the chair's adjustment controls to prevent affecting its stability and causing a potentially dangerous fall.
 - (when reclining the chair to its full extent) set the related control level in lock position and keep both feet on the ground, as well as abstain from any violent, rough or strong movement which could cause the chair to tip over.
 - keep in mind that this chair is designed only for sitting and reclining, and that it should be used only for those uses.
 - Do not sit on the edge of the chair or the arm rests.
- Do not place the chair in a location in which it is likely to be subjected to prolonged sunlight exposure. The product's colors might fade when exposed to sunlight.
- Do not use abrasive products or scrub energetically when cleaning. Please stick to gentle products suitable for delicate materials.
- All parts should be checked monthly to confirm their integrity and to make sure that the screws are not loose.
- If any part of the product is or appears to be damaged, missing or loose, please contact the local distributor and do not use the product.

⚠ Maximum stationary weight capacity 120kg. Please do not place any body or object above 120kg on this chair.



www.cougargaming.com

facebook.com/cougargaming

youtube.com/user/COUGARGLOBAL