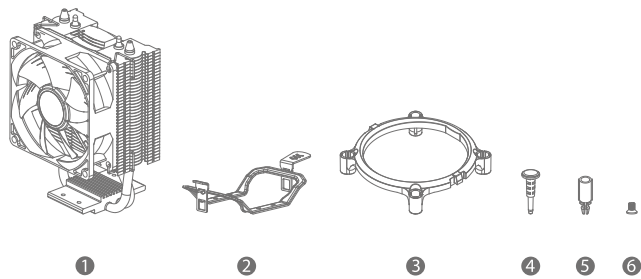
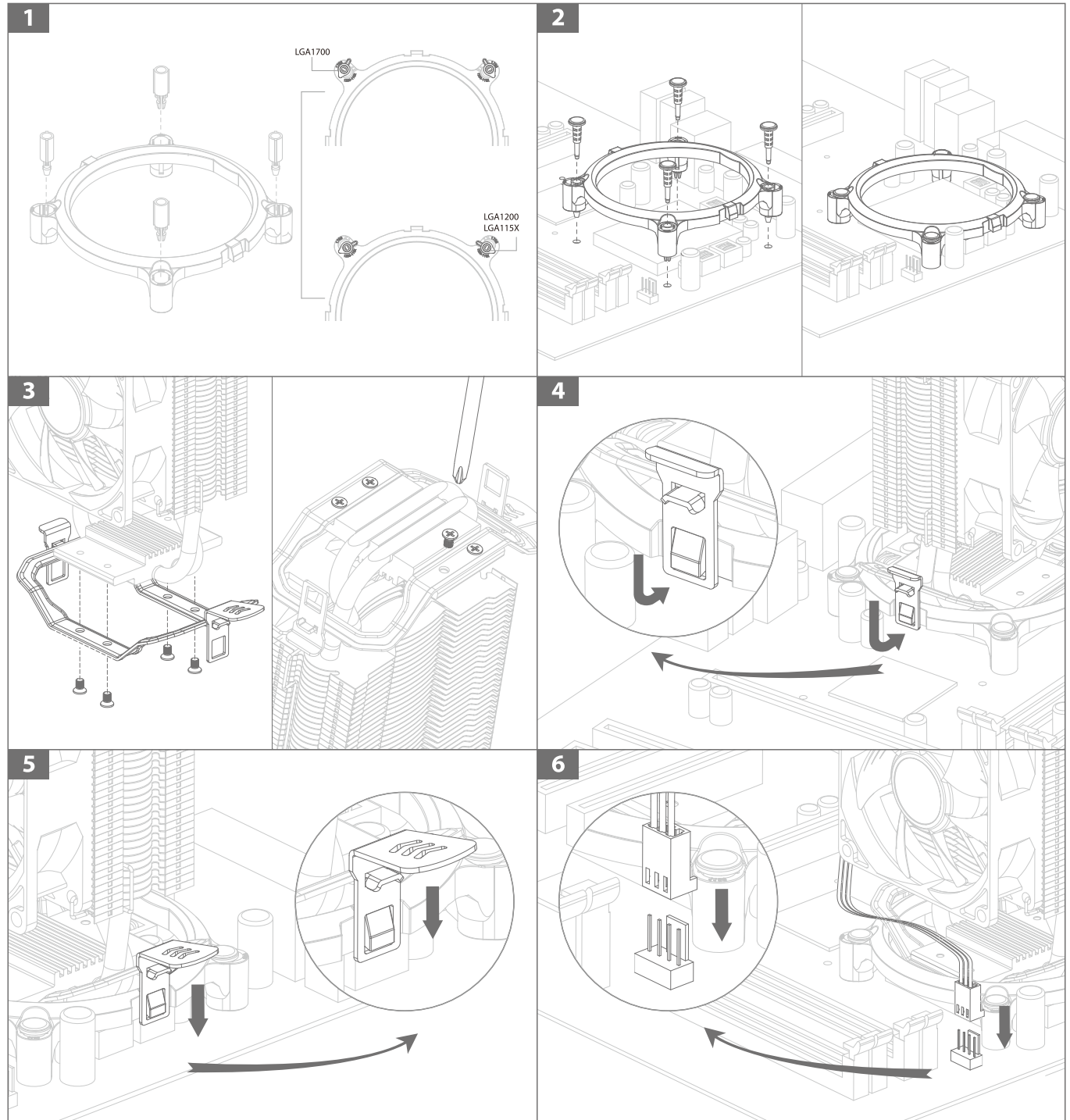


PRODUCT SCHEMATIC DRAWING

## COMPONENTS LIST



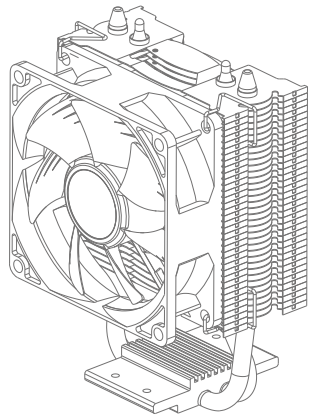
- 1 Clip X4
- 2 Screw X4





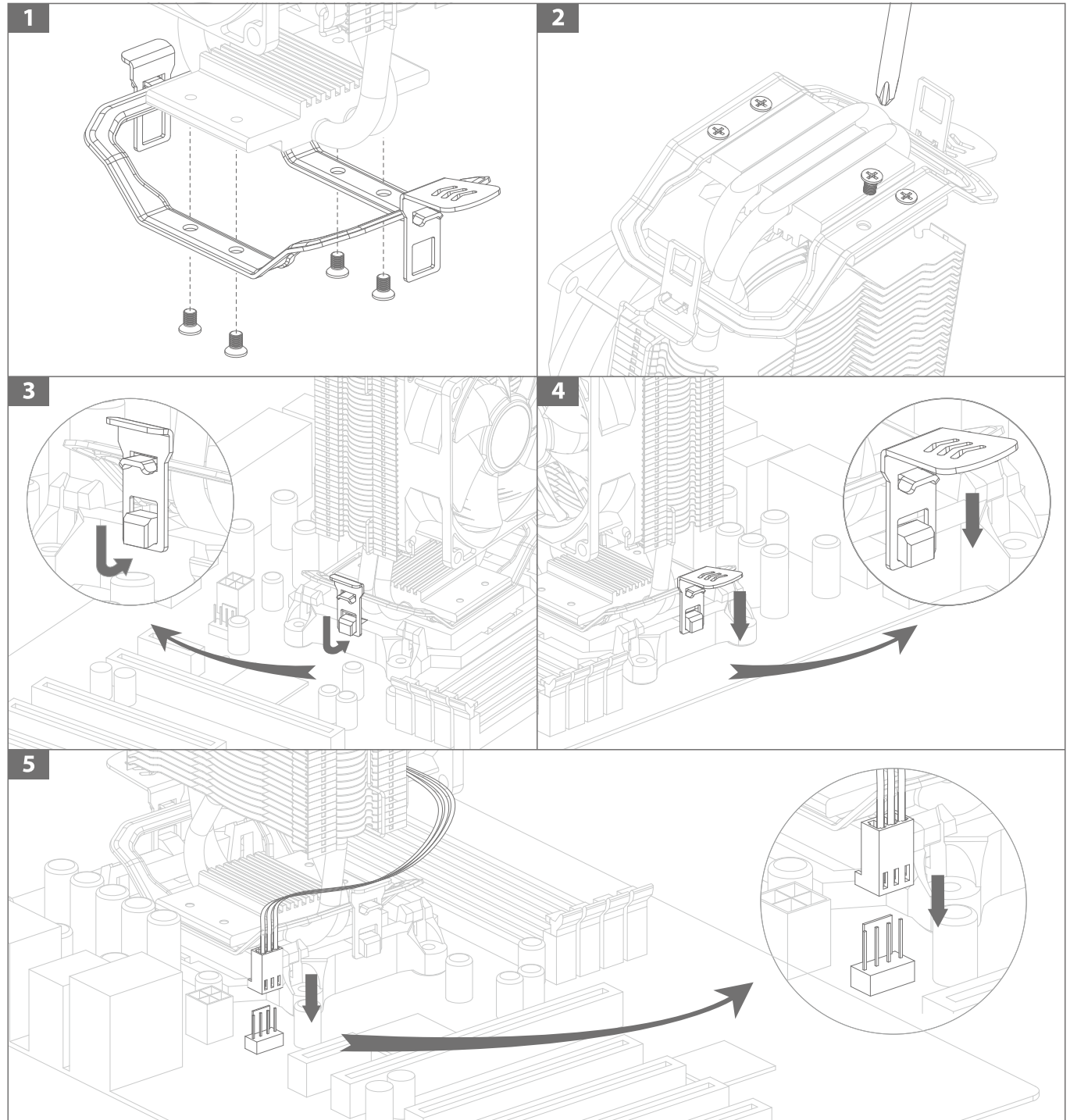
# Basic Heatpipe Cooler

USER GUIDE



PRODUCT SCHEMATIC DRAWING

## AMD AM5/AM4



EN For more information, please check our website at: [www.deepcool.com](http://www.deepcool.com)

DE Für weitere Informationen besuchen Sie bitte unsere Website unter: [www.deepcool.com](http://www.deepcool.com)

FR Pour plus d'informations, merci de visiter notre site internet: [www.deepcool.com](http://www.deepcool.com)

ES Para más información, por favor, visite nuestra página en: [www.deepcool.com](http://www.deepcool.com)

IT Per ulteriori informazioni, visitate il nostro sito web: [www.deepcool.com](http://www.deepcool.com)

PT Para mais informação, visita o nosso website em: [www.deepcool.com](http://www.deepcool.com)

PL Więcej informacji można znaleźć na naszej stronie internetowej: [www.deepcool.com](http://www.deepcool.com)

RU Больше информации на сайте: [www.deepcool.com](http://www.deepcool.com)

JA 詳細については、以下URL先の公式WEBサイトをご確認ください: [www.deepcool.com](http://www.deepcool.com)

KO 자세한 내용은 [www.deepcool.com](http://www.deepcool.com) 에서 확인하실 수 있습니다

AR للمزيد من المعلومات، يرجى زيارة موقعنا على [www.deepcool.com](http://www.deepcool.com)

ZH 如需要更多信息，请浏览网站: [www.deepcool.com](http://www.deepcool.com)

ZH 如需要更多信息，請瀏覽網站: [www.deepcool.com](http://www.deepcool.com)

DeepCool USA Inc.  
11650 Mission Park Drive Suite 108., Rancho Cucamonga, CA 91730

Beijing DeepCool Industries Co., Ltd.  
Building 10, No. 9 Dijin Road, Haidian District, Beijing 100095, China

© 2021 Beijing DeepCool Industries Co., Ltd. All rights reserved.

"DEEPCOOL" and other commercial identities are legitimate registered trademarks and commercial identities of the trademarks owner and its affiliates in China and other countries or regions.

Pictures on this package are for reference only, please refer to the actual product.