



BY-BM2021
Super-Cardioid shotgun microphone
For Smartphone & Camera Video/Audio Recording

Instruction Manual

Instruction

Thanks for purchasing BOYA BY-BM2021!

The BOYA BY-BM2021 is a super-cardioid video shotgun microphone, which offer much better sound performance than using smartphone, tablets, cameras, camcorders built in microphone.

With both TRRS and TRS audio connector cable included, it compatible with mostly smartphone, tabelts, DSLRs, camcorders which has a 3.5mm mic jack.

Unique super-cardioid polar pattern, it tight pickup area focuses directly in front of the microphone and reduces other surrounding sounds, ensuring that your subject is isolated from any background noise.

Reinforced ABS construction at only 63g, the microphone always keeps your setup super lightweight, making it ideal for handheld shooting.

Without any complicated switches or settings, it's mainly powered by cameras, camcorders or smartphone, PC external microphone input, requiring no batteries to operate.

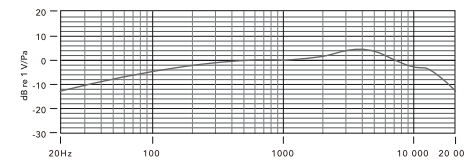
Features

- Compatible with smartphone, DSLR cameras, camcorders, PC etc
- Super-Cardioid Condenser Microphone
- No Battery Required
- Compact Lightweight Design
- Reinforced ABS Construction
- Includes one 3.5mm TRS cable & one 3.5mm TRRS cable
- Foam windshield included

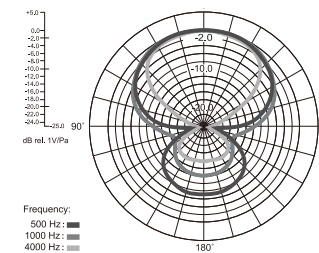
Specifications

| | |
|------------------------|-----------------------------------|
| Polar Pattern: | Super-cardioid |
| Frequency Response: | 40-20,000Hz |
| Sensitivity: | -35dB±3dB@1KHz |
| Signal to Noise Ratio: | 76dB |
| Plug: | 3.5mm TRS & TRRS connector |
| Dimensions(L*H*D): | 6.6*3.0*2.0" (168*77.2*49.9mm) |
| Net Weight: | 2.2oz(63g) |

Frequency response



Polar pattern



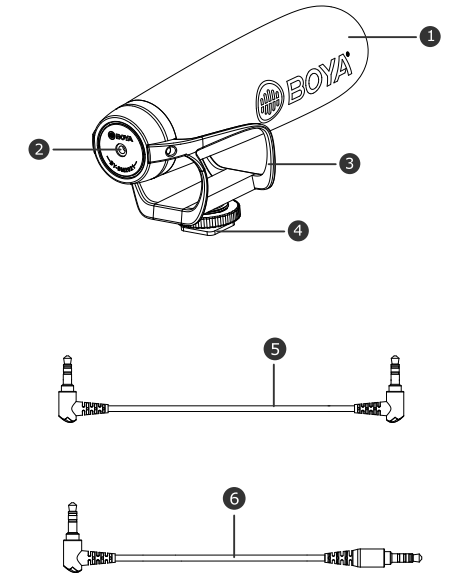
Package contents:

1. Microphone
2. Foam windshield
3. Carrying pouch
4. 3.5mm TRS & TRRS cable both included
5. User guide

Tip:

Use this microphone with your camera before recording an important event. Make sure that you are familiar with it's operation with your specific camera and verify the audio recording results are as expected.

What's Included



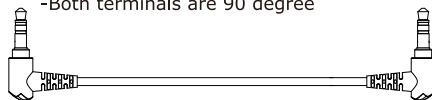
1. Windshield foam
2. 3.5mm audio output jack
3. Anti shock mount
4. 1/4 hot shoe mount adapter
5. 3.5mm TRS cable
6. 3.5mm TRRS cable

What's difference?

- ① 3.5 mm TRRS connector
-For Smartphone, tablet or Mac
-1 terminal is 90 degree, another side is straight

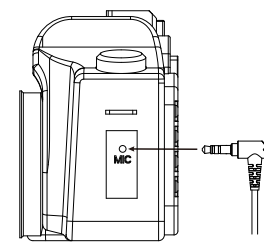
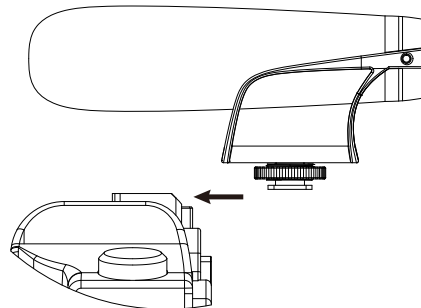


- ② 3.5 mm TRS connector
-For cameras, camcorders, audio recorders and other audio/video recording devices
-Both terminals are 90 degree



Setting up your microphone with camera

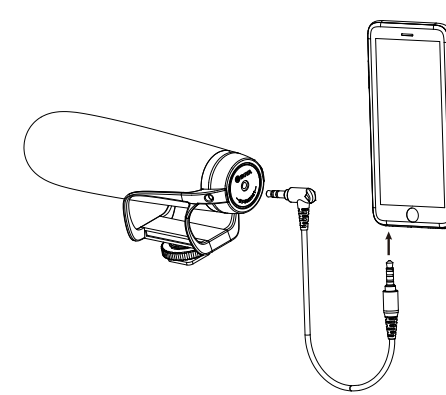
1. Loosen the locking knob, then slide the microphone's hot shoe mount onto the camera.
2. Tighten the locking knob, to secure the microphone
3. Use the 3.5mm TRS audio cable to connect the camera and microphone



Setting up your microphone with smartphone, tablets or Mac

1. Use the 3.5mm TRRS audio cable to connect the smartphones, tablets or Mac and microphone.
2. Turn on the audio-only or video recording app then start recording.

Pls noted to plug 90 degree 3.5mm connector to the microphone, straight 3.5mm TRRS connector to the smartphone, tablets or Mac.



Troubleshooting

If you have any problem using the BY-BM2021 components, use the following checklist.

If any problem persist, please consult our local dealer, or contact us directly at sales@boya-mic.com.

| Problem | Solution |
|--|---|
| The microphone can't work | solution:make sure that using the correct audio connector. 1) For smartphone, tablet or Mac, using 3.5mm TRRS cable. 2) For other devices, using 3.5mm TRS cable. |
| Too much ambience noise is being picked up | Make sure that the microphone is as close as possible to the subject. A certain amount of ambient noise is unavoidable in loud environments. |

www.boya-mic.com

SHENZHEN JIAYZ PHOTO INDUSTRIAL., LTD.

The BOYA logo is a trademark which is registered and owned by Shenzhen Jiayz Photo Industrial., Ltd. COPY RIGHT 2010-2020
Email: sales@boya-mic.com
www.boya-mic.com / www.jiayz.com