



POSEIDON GT

FEATURES

ENGLISH

- "Utterright" fins design for heat transfer efficiently
- Brilliant ARGB lighting with infinity mirror
- High-efficiency fan for radiator
- Durable and sturdy ZrO2 bearing
- LGA 1700 ready

RUSSIAN

- 90-градусный прямоугольный дизайн ребёр «Utterright» для улучшенного теплоотвода
- Яркое ARGB освещение с зеркальным эффектом
- Вращающаяся конструкция водяного блока с возможностью ориентации логотипа
- Высокоэффективный вентилятор для радиатора
- Прочные и надежные подшипники из циркония
- Поддержка новейшего процессора intel LGA 1700

KOREAN

- 효율적인 열 전달을 위한 "Utterright" 핀 설계
- 인피니티 미러가 있는 화려한 ARGB 조명
- 로고 방향 조절이 가능한 회전식 펌프 헤드
- 라디에이터용 고효율 팬
- 내구성이 뛰어나고 견고한 ZrO2 베어링
- LGA 1700 지원

BRAZILIAN PORTUGUESE

- Design "Utterright" de aletas para transferência de calor eficiente
- Iluminação ARGB brilhante com espelho infinito
- Topo da bomba rotacional para orientação do logo
- Ventoinha de alta eficiência para radiador
- Rolamento ZrO2 robusto e durável
- Pronto para LGA 1700

GERMAN

- "Utterright"-lamellen-design für effiziente wärmeübertragung
- Brillante ARGB-beleuchtung mit infinity mirror
- Drehbarer pumpenkopf für die logoausrichtung
- Hochleistungslüfter für kühlkörper
- Langlebiges und belastbares ZrO2-kugellager
- LGA 1700 ready

簡中

- Utterright 90度直角式鳍片设计 · 强化散热效能
- 炫彩夺目的无限镜 ARGB 灯效
- 可旋转式水冷头设计 · 任意调整 LOGO 方向
- 散热器专用高效风扇
- 坚固可靠的氧化锆轴承
- 支持最新 LGA1700 Intel CPU

SPANISH

- Diseño de aletas "Utterright" para una transferencia de calor eficiente
- Iluminación ARGB brillante con espejo infinito
- Cabezal de la bomba giratorio para orientar el logotipo
- Ventilador de alto rendimiento para el radiador
- Rodamientos de ZrO2 durables y resistentes
- LGA 1700 listo para el uso

JAPANESE

- 放熱を強化した「Utterright」90度フィンデザイン
- 鮮やかなインフィニティミラー-ARGB照明効果
- 回転可能なポンプヘッドによって、Cougarロゴの方向を調整可能
- ラジエーター用の高効率ファン
- 頑丈で耐久性のあるZrO2ベ어링
- LGA1700 Intel CPUに対応可能

SPECIFICATIONS

COUGAR POSEDION-GT 240

Product Name	POSEIDON-GT 240
CPU Socket	Intel Socket LGA 115X / 1366 / 1200 / 1700 2011 / 2066 (Core i3 / i5 / i7 / i9 CPU) AMD TR4 / TRX4 / AM5 / AM4 / FM2 / FM1 AM3+ / AM3 / AM2+ / AM2 CPU
Water Block & Pump	
Dimensions (WxDxH)	φ71.5*49.8mm
Cold Plate Material	Copper
Pump Speed	3200±200 R.P.M
Rated Voltage	DC 12V
Rated Current	0.35 A
Power Consumption	4.2 W
Connector	Pump: 2510-3Pin Lights: 5V-ARGB 3Pin
Radiator	
Type	Brazing Radiator
Dimension (WxDxH)	272 x 121 x 27mm
Material	Aluminium Alloy

Tubing	
Length	400 mm
Fans	
Fan Quantity	2
Dimensions (WxDxH)	120 x 120 x 25 mm
Fan Speed	600RPM - 2000RPM ± 200RPM
Air Flow	82.48 CFM
Air Pressure	4.24 mmH2O
Acoustic Noise	34.5 dB(A)
Rated Voltage	DC 12 V
Rated Current	0.23A
Power Consumption	2.76W ± 10%
Connector & Control	Fan:2510-4Pin (FG+PWM)

The above specifications may vary by country or region

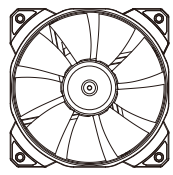
COUGAR POSEDION-GT 360

Product Name	POSEIDON-GT 360
CPU Socket	Intel Socket LGA 115X / 1366 / 1200 / 1700 2011 / 2066 (Core i3 / i5 / i7 / i9 CPU) AMD TR4 / TRX4 / AM5 / AM4 / FM2 / FM1 AM3+ / AM3 / AM2+ / AM2 CPU
Water Block & Pump	
Dimensions (WxDxH)	φ71.5*49.8mm
Cold Plate Material	Copper
Pump Speed	3200±200 R.P.M
Rated Voltage	DC 12V
Rated Current	0.35 A
Power Consumption	4.2 W
Connector	Pump: 2510-3Pin Lights: 5V-ARGB 3Pin
Radiator	
Type	Brazing Radiator
Dimension (WxDxH)	392 x 121 x 27mm
Material	Aluminium Alloy

Tubing	
Length	400 mm
Fans	
Fan Quantity	3
Dimensions (WxDxH)	120 x 120 x 25 mm
Fan Speed	600RPM - 2000RPM ± 200RPM
Air Flow	82.48 CFM
Air Pressure	4.24 mmH2O
Acoustic Noise	34.5 dB(A)
Rated Voltage	DC 12V
Rated Current	0.23A
Power Consumption	2.76W ± 10%
Connector & Control	Fan:2510-4Pin (FG+PWM)

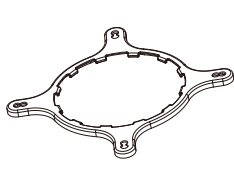
The above specifications may vary by country or region

INSTALL CONTENTS



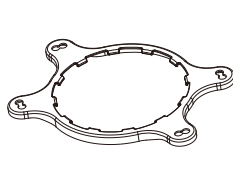
MHP Fan
240 x 2
360 x 3

A



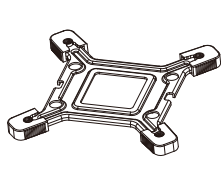
Intel Mounting Bracket

B



AMD Mounting Bracket

C



Intel Backplate

D



Fan screw
240 x 8
360 x 12

E



Radiator screw
240 x 8
360 x 12

F



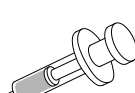
AMD Stud x 4

G



Thumb Screw x4

H



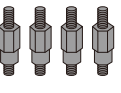
Thermal Paste

I



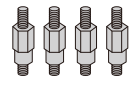
LGA 2011 & 2066
Stud x 4

J



LGA1700 Stud x4
(Black)

K



LGA1200 / LGA115X
LGA1366
Stud x4 (Silver)

L



Silicone Pad

M

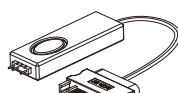


1 to 2 Fan Splitter x 1 (Poseidon GT 240)

N



1 to 3 Fan Splitter x 1 (Poseidon GT 360)

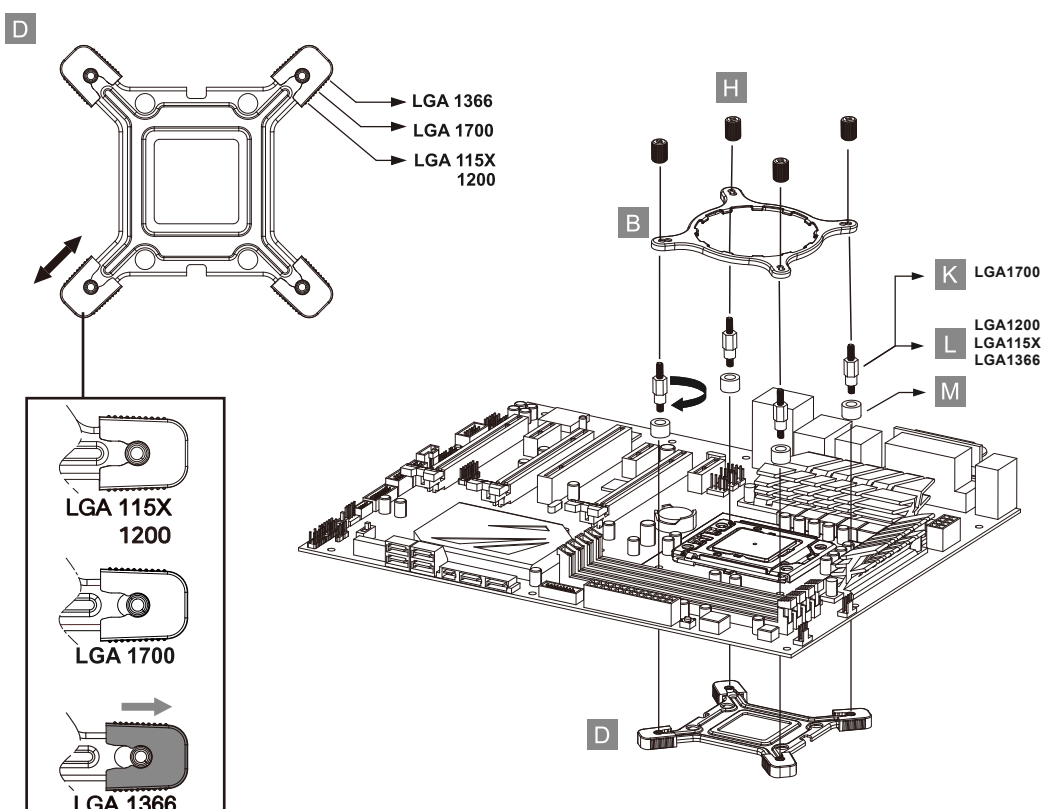


ARGB Lighting Controller x 1

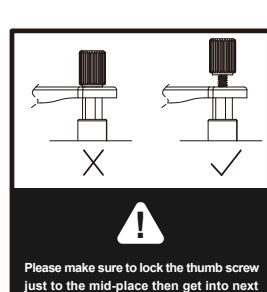
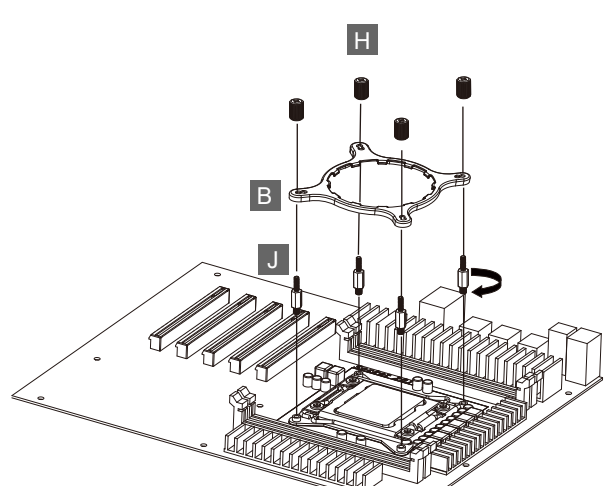
O

PREPARATION

Intel LGA 1700 / 115X / LGA1200 / 1366



Intel LGA20XX

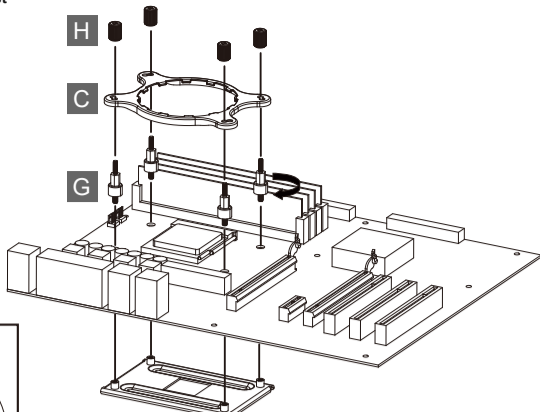
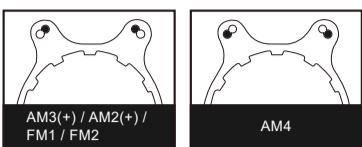
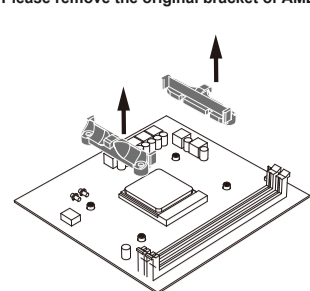


Please make sure to lock the thumb screw just to the mid-place then get into next step.

PREPARATION

AMD AM4 / AM3(+) / AM2(+) / FM1 / FM2

Please remove the original bracket of AMD first

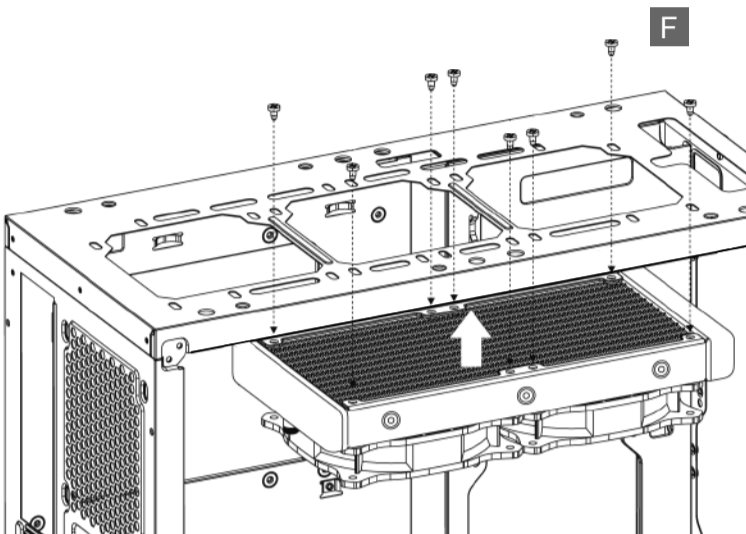
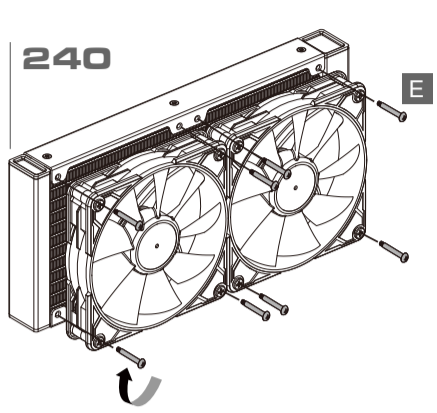
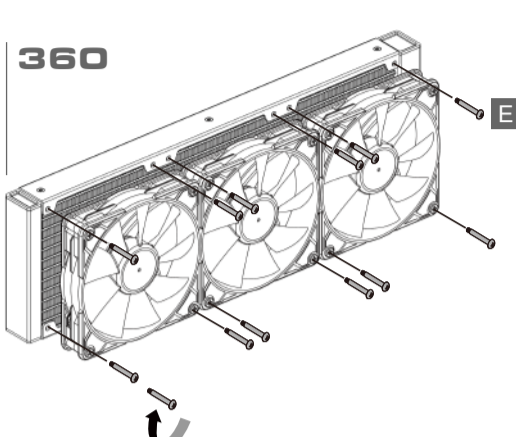


Please make sure to lock the thumb screw just to the mid-place then get into next step.

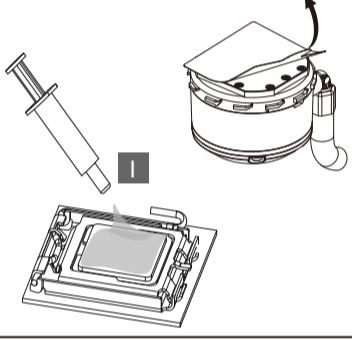
AMD TR4 / TRX4

For Socket TR4/TRX4, install the AMD SocketTR4/TRX4 bracket included inside the Threadripper CPU retail box.

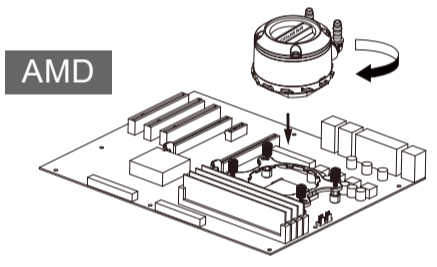
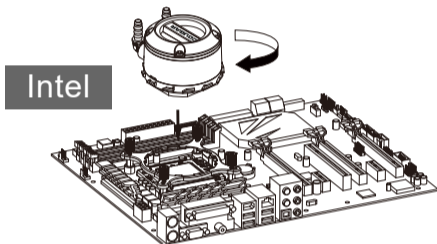
INSTALLATION



Notice : Please remove the protect tape before installing

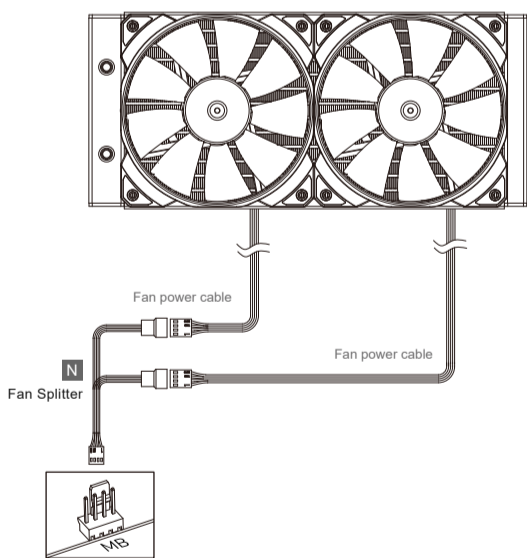
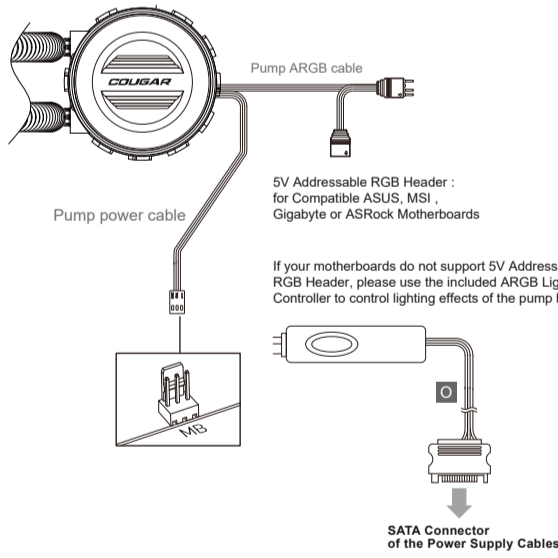
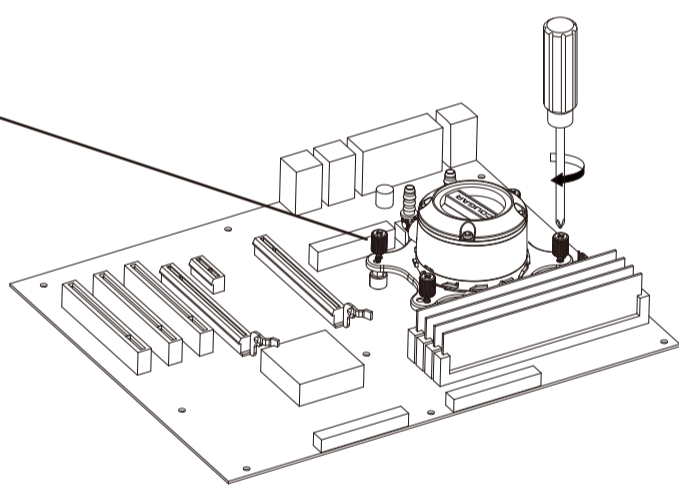


Notice : Applying too much thermal paste will lower heat conductivity and cooling performance!



The suggestion of the screw sequence

Please follow the sequence above to lock the bracket, and make sure the thumb screws are well installed.



- Matters needing attention:
1. Please connect the ARGB port to the ARGB controller.
 2. The power port of water-cooling head must be connected to AIO PUMP port, otherwise it will seriously affect the performance.
 3. If there is not AIO PUMP port, plug into the system fan port and set the port fan mode to PWM mode.

POSEIDON-GT 240			
POSEIDON-GT 240	MHP 120 Fan x 2	User Manual x 1	Mounting Kit x 1
1 to 2 Fan Splitter x 1	ARGB Lighting Controller x 1		

POSEIDON-GT 360			
POSEIDON-GT 360	MHP 120 Fan x 3	User Manual x 1	Mounting Kit x 1
1 to 3 Fan Splitter x 1	ARGB Lighting Controller x 1		

GLOBAL WARRANTY POLICY

WARRANTY PERIODS OF COUGAR GAMING DEVICES

Product : COUGAR POSEIDON-GT series CPU liquid cooler
 Warranty : 5 Years

This warranty gives you specific legal rights. You may also have other rights granted under local law. These rights may vary.

CONDITIONS WHERE FREE MAINTENANCE IS NOT PROVIDED

- Any fault or damage caused by natural disasters (including storm, fire, flood, thunder, earthquake, etc).
- Any fault or damage caused by accidental factors and man-made reasons (including hit, scrape, crash, moving, compression, stain, corrosion, use of incurred on unsuitable voltage, computer virus, riot, misuse, malicious damage, etc).
- Use in an improper operating environment (including high temperature, high humidity, water inflow, etc).
- Inability to provide the product warranty card, purchase receipt or invoice to prove the product is still within the warranty and the shipping date of the product is out of warranty.
- The warranty card or product serial number has been altered or its number is hard to identify.
- The warranty period has expired.
- Any fault or damage caused by non-compliance with regulations stated on the user manual or improper, rough and careless treatment.
- Any fault or damage caused by use of parts not certified by COUGAR original manufacturer.
- The problem is caused by improper repair or adjustment by the buyer or any manufacturer without authorization from COUGAR.
- The product is not acquired from an authorized distributor of the company or is acquired from illicit sources.
- Paper carton, instruction and other accessories are not warranted.

DISCLAIMERS

- COUGAR product is not authorized for use as critical components in life support device or for incorrect application software or damage of the product.
- COUGAR is not liable for the death or malform of person or loss of property when product is using as, including but not limited to, medical equipment, military equipment, traffic equipment and disaster prevention system.
- COUGAR is not liable for any damages, expenses, lost data, lost revenues, lost savings, lost profits, or any incidental or consequential damages due to using defect product of COUGAR.

WARRANTY AGREEMENT

- If the product has defects in material or manufacture, COUGAR will provide product repair and replacement service within the warranty period.
- Our warranty service is based on the date of the invoice or warranty card (must be affixed with the store stamp).
- If you lose the aforementioned evidence, we will apply the original shipping date of the product as the beginning date of warranty period. The shipping date will be identified by the product serial number(S/N).

LEGAL NOTICES

This manual was created by Compucase Enterprise and may not be completely or partially copied, distributed or stored without written consent by Compucase Enterprise.

COUGAR® is a registered brand of Compucase Enterprise Other product and company names mentioned in this documentation may be brands or trademarks of their respective owners.

Compucase Enterprise reserves the right to make changes concerning the contents of the manual and the technical data of the product without previous announcement.

MANUFACTURER CONTACT

Compucase Enterprise Co.,Ltd.
 No. 225, Lane 54, An Ho Road Sec. 2 Tainan, Taiwan, R.O.C
 Tel:+886-6-356-0606

COUGAR USA Technical Service
 Tel: (833) 256-3778
 Mail: rma@compucaseusa.com

More information you will find at cougargaming.com
 Compucase Enterprise Co.,Ltd.
 All rights reserved.
 Made in China

CE **FC** **RoHS**

QC OK 品 牌: COUGAR 鲁伽
 检验合格 产品名称: 机箱风扇/水冷
 执行标准: Q/441900 DH 006-2019
 生 产 商: 东莞东骉电子科技有限公司
 厂 址: 广东省东莞市清溪镇清樟路清溪段70号