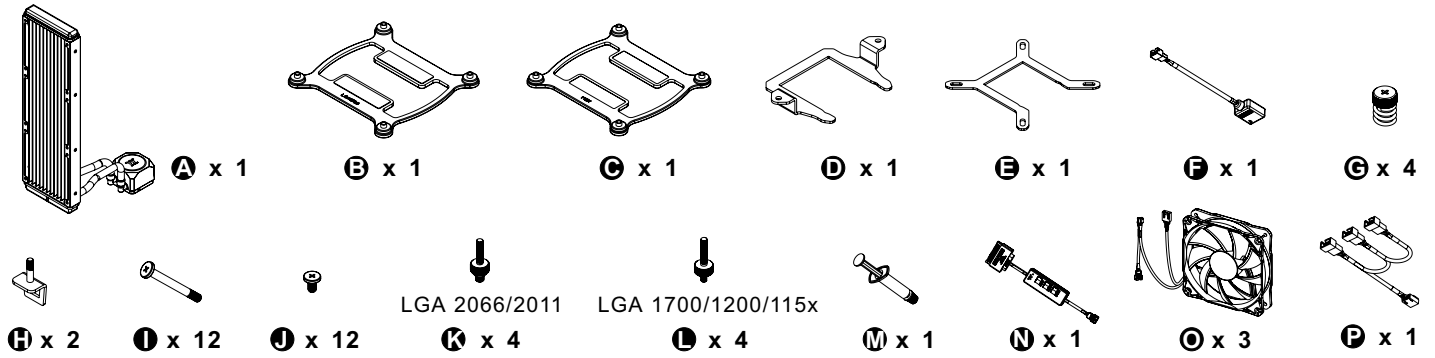
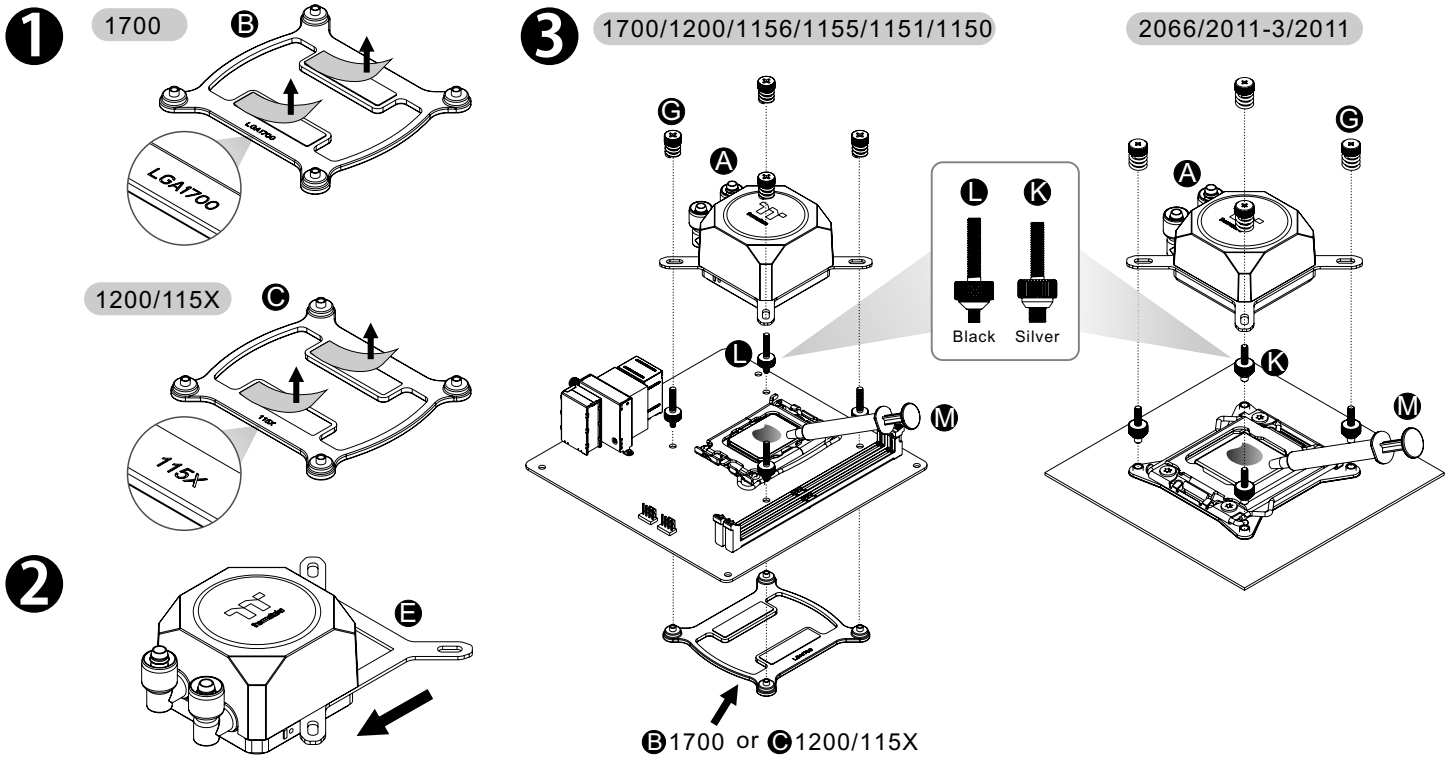




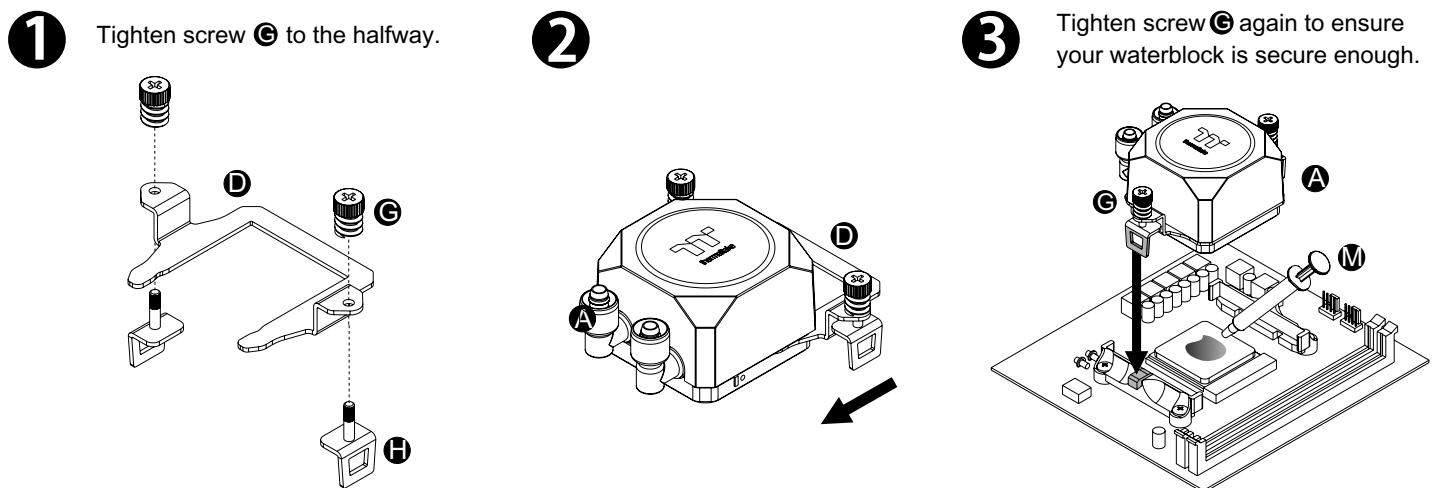
Parts List



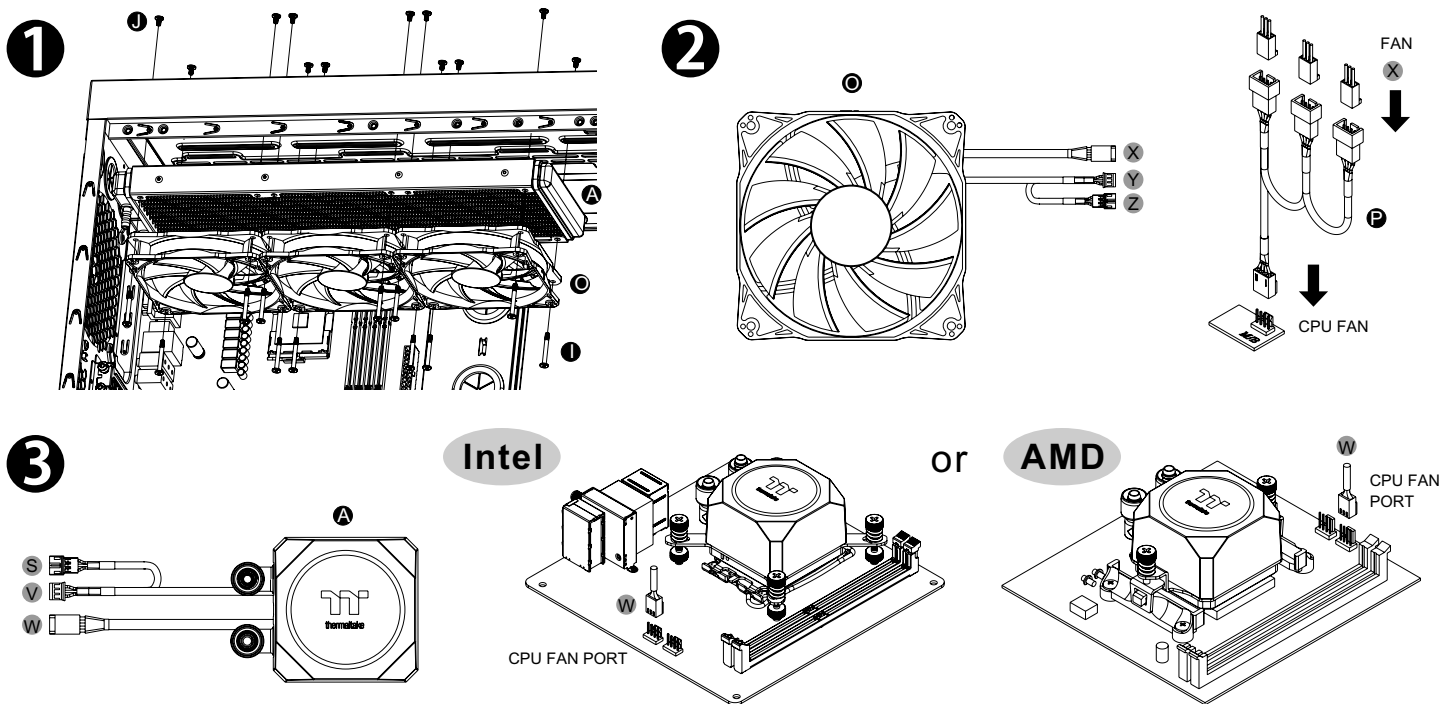
Intel Installation Guide



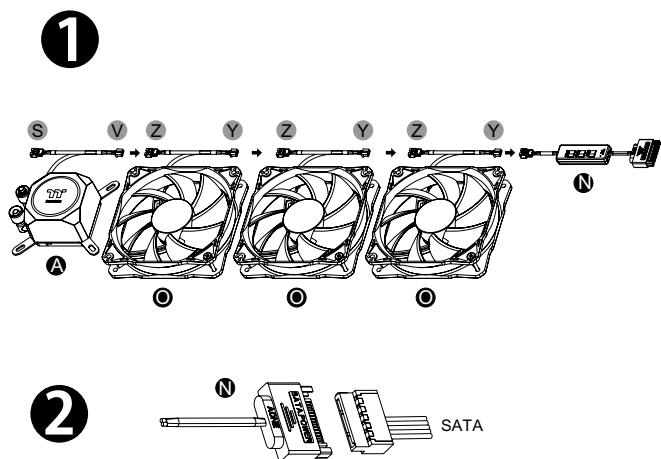
AMD Installation Guide



Installation Guide



ARGB Controller Installation Guide

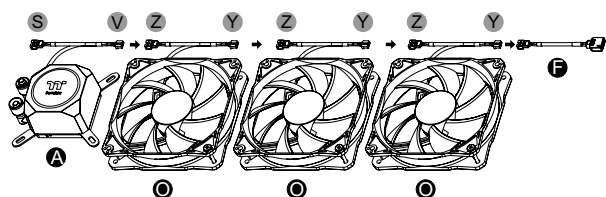


- 1. Light Mode:**
Switch over between 7 LED modes.
Rainbow → Full light → RGB Spectrum → Off → Flow → Radar → Pulse → Blink
- 2. Color Mode:**
When light mode is in Full Lighted, Pulse and Blink :
Switch over 8 LED colors .
Red → Yellow → Green → Teal → Blue → White → Purple → Rainbow
- When light mode is in Ripple :**
Switch over 7 LED colors .
Red → Yellow → Green → Teal → Blue → White → Purple
- When light mode is in RGB Spectrum:**
Click to memorize and lock the color you want, click again to unlock the 256 colors auto rotation.
- When light mode is in Wave and Flow :**
LED color can not be adjusted.
- 3. Light Speed:**
Switch over between 4 light modes.
Slow → Normal → Fast → Extreme

MB SYNC Installation Guide

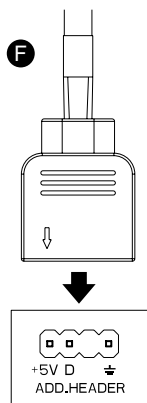
CAUTION

Please power off the PC and check the Positive and Negative ends on the connector before connecting the cable to mainboard. Connecting the wrong end can damage the fans.



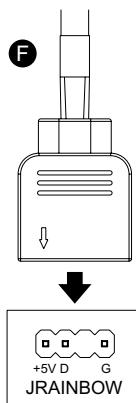
ASUS/ASRock/BIOSTAR

Aura Addressable Strip Header(s)



MSI

JRGB-strip Header(S)



GIGABYTE

AOURS RGB Fusion with Digital LEDs

