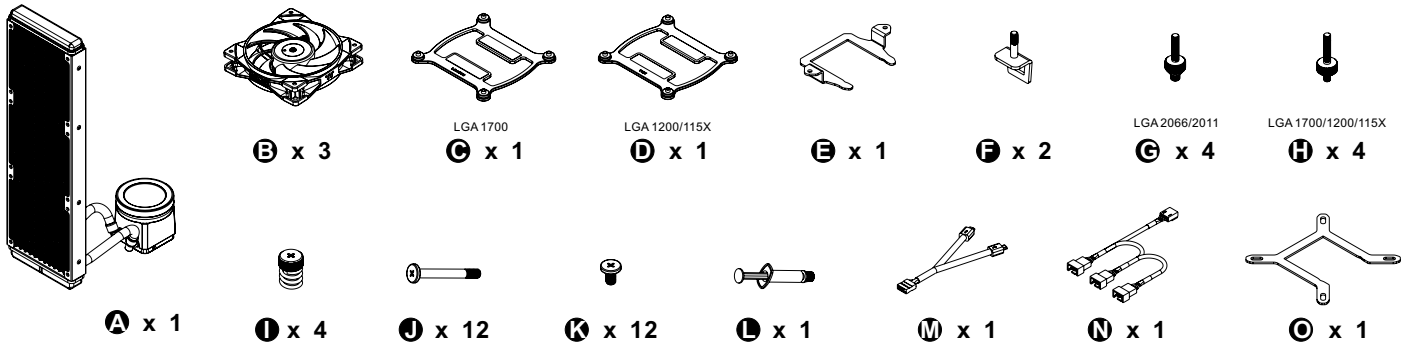
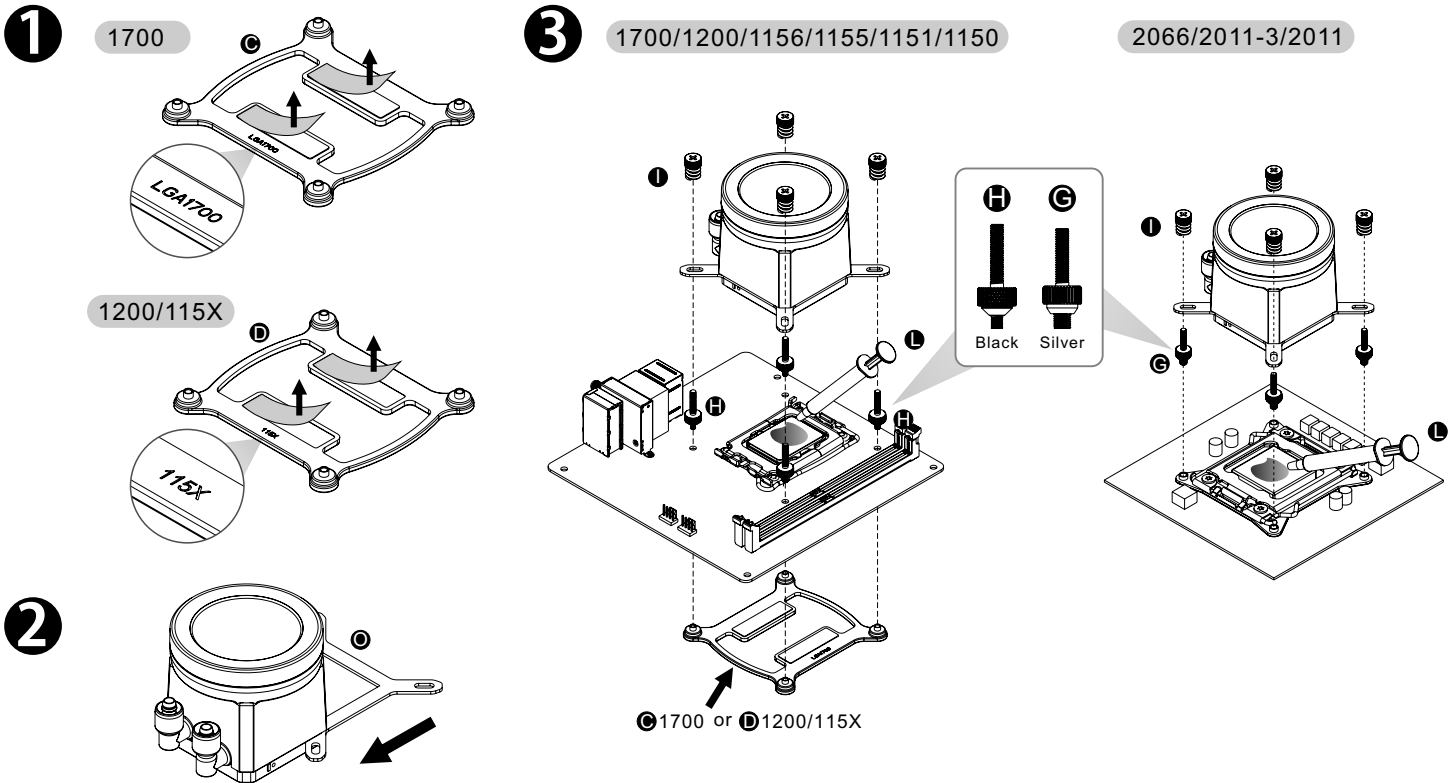




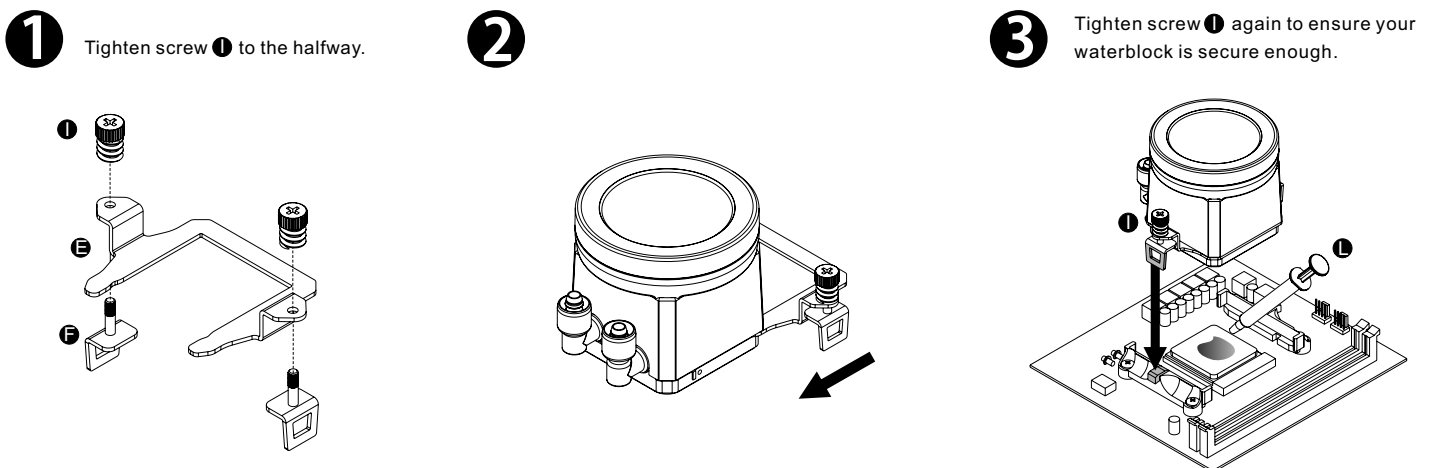
Parts List



Intel Installation Guide

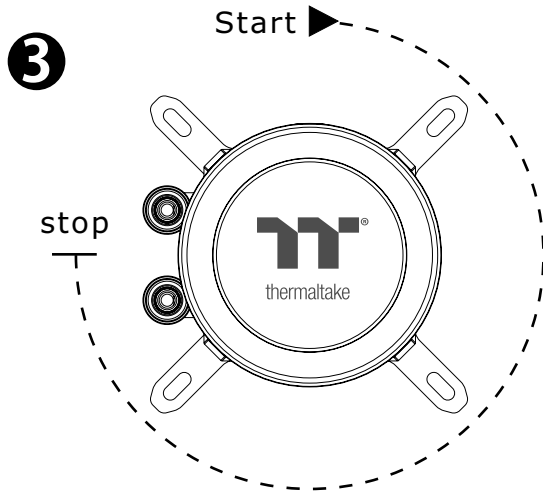
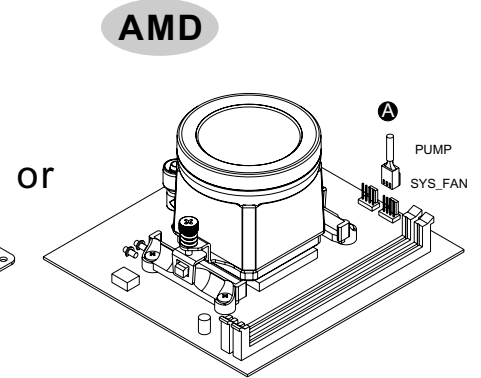
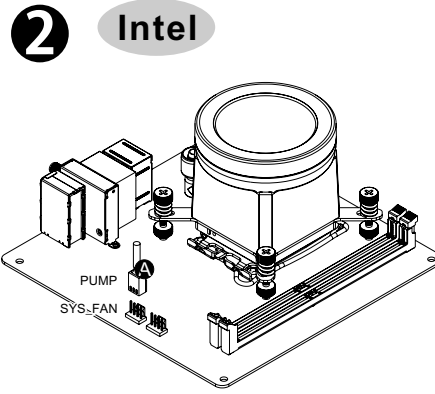
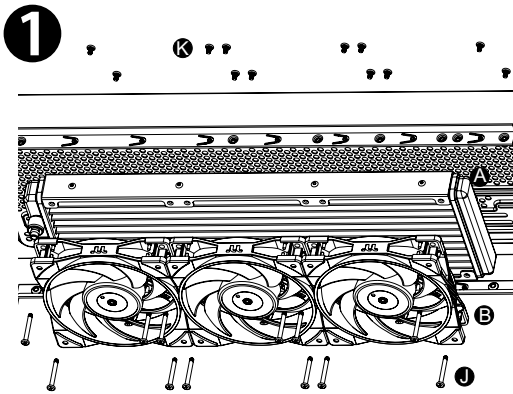


AMD Installation Guide

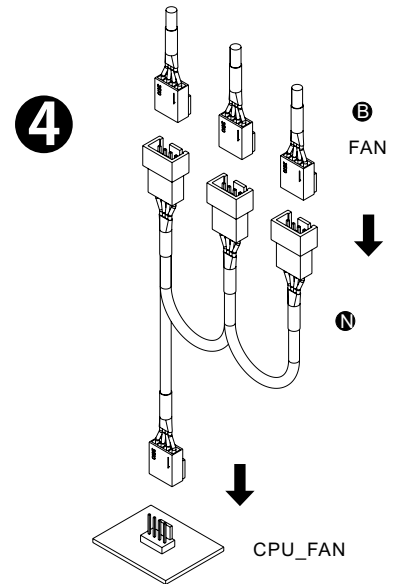




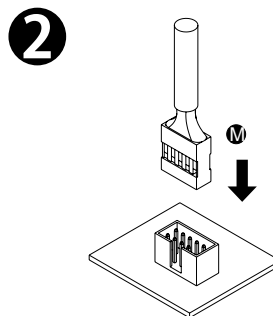
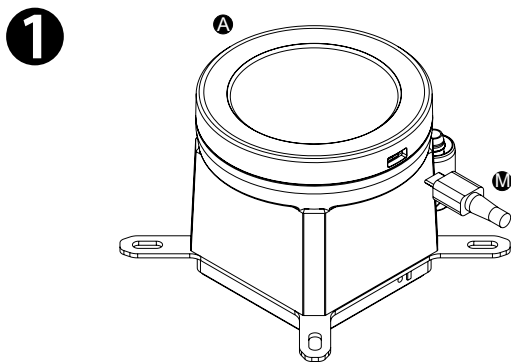
Installation Guide



Adjust the display to fit your motherboard from start point to stop point.



MB SYNC Installation Guide



⚠ CAUTION

To control the LCD display by TT RGB PLUS Software, Please connect the water block and motherboard with cable M.

This device complies with Part 15 of the FCC Rules. Operation is subject to the following two conditions: (1) this device may not cause harmful interference, and (2) this device must accept any interference received, including interference that may cause undesired operation.